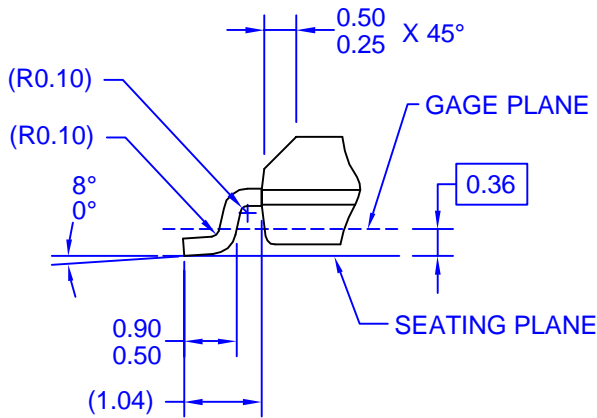
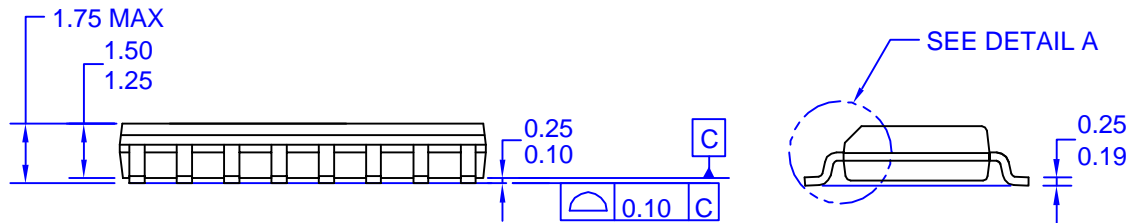
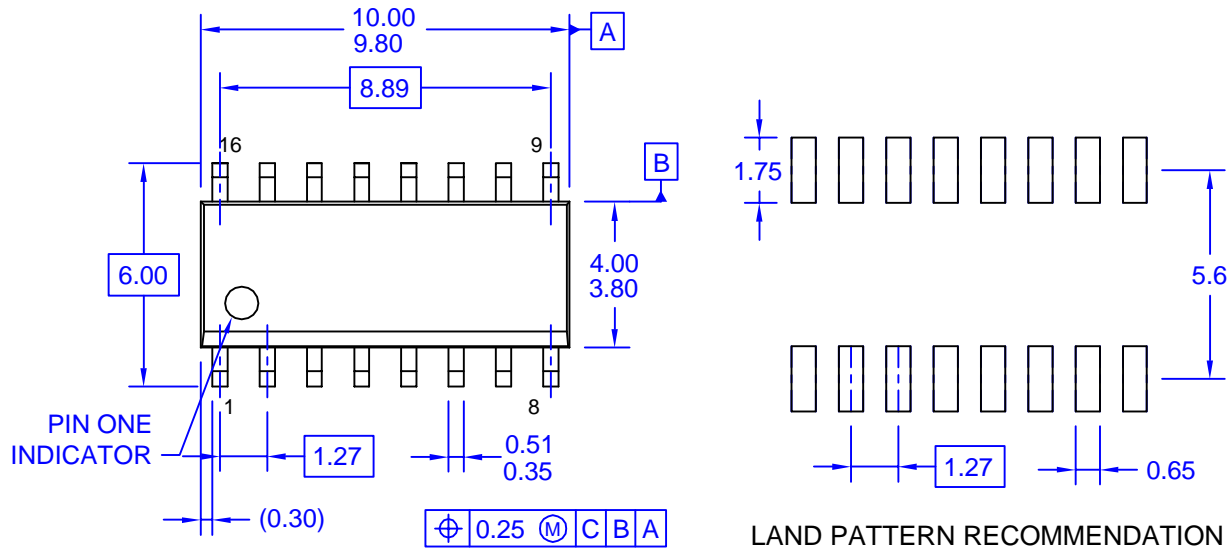


REVISIONS				
LTR	DESCRIPTION	E.C.N.	DATE	BY/APPD
G	REVISE AND REDRAWN	04038	09/10/99	JMR/N
H	INCORPORATE NSC & FSC DWGS: REVISE DIM & NOTES.	05925	10/04/88	DEG
J	CHANGE LEAD TIP FROM TAPER TO SQUARE	11069	AUG 29/95	FEITAN
K	REDRAW AS PER NEW DWG TEMPLATE; CHG DUAL DIM (INCH/MM) TO SINGLE DIM MM; CHG LEADSPREAD FR LIMITS TO BASIC; CHG PKG FOOT LENGTH DIM FR LIMITS TO SYM TOL; ADD TOL ON PKG THICK DIM; CHG PROFILE TOL. FROM LIMITS TO DEVIATION; ADD GAGE PLANE DIM; ADD LAND PATTERN DIM.	CB/060/99	OCT.15/99	MRG
11	UPDATED TO CONFORM TO FSC-MKT-0001		6 JULY 07	L.HUEBENER
12	ADOPTED JEDEC LEADSPREAD VALUE	ECN-MKT-M16AR12	31 JULY 07	L.HUEBENER



**DETAIL A**  
SCALE: 2:1

NOTES: UNLESS OTHERWISE SPECIFIED

- A) THIS PACKAGE CONFORMS TO JEDEC MS-012, VARIATION AC, ISSUE C.
- B) ALL DIMENSIONS ARE IN MILLIMETERS.
- C) DIMENSIONS ARE EXCLUSIVE OF BURRS, MOLD FLASH AND TIE BAR PROTRUSIONS
- D) CONFORMS TO ASME Y14.5M-1994
- E) LANDPATTERN STANDARD: SOIC127P600X175-16AM
- F) DRAWING FILE NAME: M16AREV12.

APPROVALS		DATE		<b>16LD, SOIC, JEDEC MS-012</b> <b>.150" NARROW BODY</b>
DRAWN:	L.HUEBENER	31 JULY 07		
CHECKED:	H.ALLEN	2 AUG 2007		
APPROVED:				
			SCALE: 1:1 FORMERLY: N/A	SIZE: NA DRAWING NUMBER: MKT-M16A
			SHEET: 1 OF 1	REV: 12