
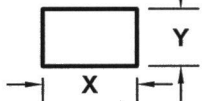
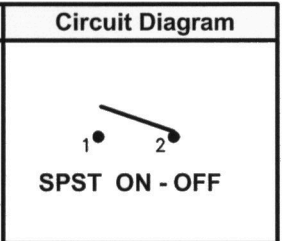


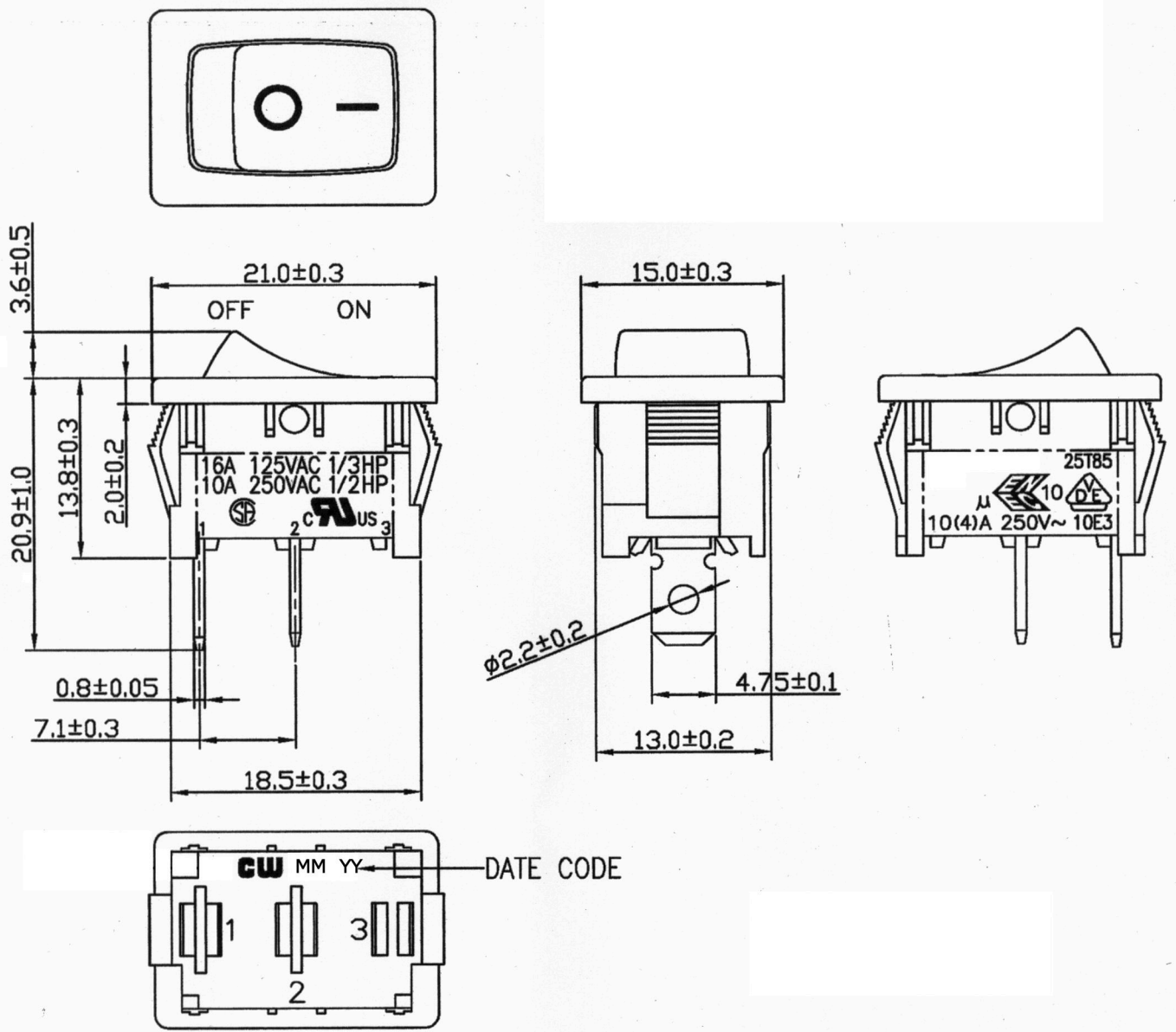
THIS INFORMATION IS CONFIDENTIAL AND PROPRIETARY TO CW INDUSTRIES INCORPORATED AND ITS AFFILIATES. IT MAY NOT BE DISCLOSED TO ANYONE, OTHER THAN CW INDUSTRIES PERSONNEL, WITHOUT WRITTEN AUTHORIZATION FROM CW INDUSTRIES INCORPORATED, SOUTHAMPTON, PENNSYLVANIA USA.

Rating	16A 125 VAC 1/3 HP 10A 250 VAC 1/2 HP	
	10(4) A 250V ~	
Contact Resistance	50m ohm max.	
Insulation Resistance	DC 500V 100M ohm min.	
Dielectric Strength	AC 1500V 1 minute	
Operating Temperature	-25°C ~ 85°C	


Mounting Hole		
		
Thickness	X	Y
0.75 - 1.25	19.2 - 0.1	13.0 + 0.1
1.25 - 2.00	19.4 - 0.1	13.0 + 0.1
2.00 - 3.00	19.8 - 0.1	13.0 + 0.1



BASE COLOR: Black  
 BUTTON COLOR: Black  
 PRINTED: White, hot stamping



RoHS Compliant

 <b>CW INDUSTRIES</b> Southampton, Pa. 18966 Tel 215.355.7080/www.cwind.com	Date Drawn: 12/22/09	Rev. 0	Unit: mm	Checked By: G. Guld
	Title: <b>ROCKER SWITCH</b>		CW P/N: <b>GRB066A02BB2</b>	