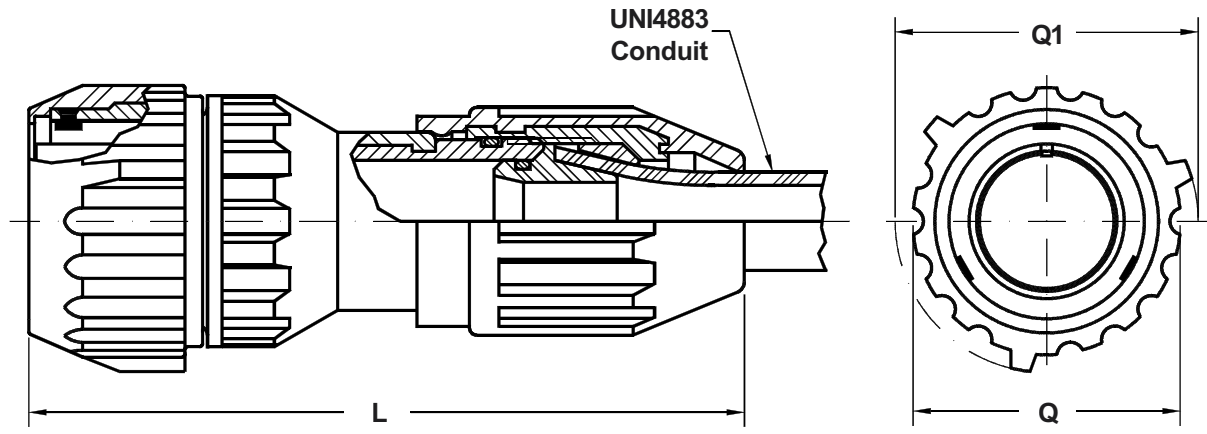




ITS 4106 (RGBF)
Straight Cylindrical Plug Connector
with Rubber-Coated Threaded Adapter
for Use with UNI4883 Conduit

FR ITS G 41 06 RGBF 20-27 P Y 2924

- Fire Resistant Inserts (See Note 7) — FR
- Bayonet Coupling — ITS
- Grounding Fingers (Omit for Standard) — G
- Contact Type — 41
- 41 - Crimp Contacts
- 06 - Straight Plug Connector — 06
- Connector/Backshell Class — RGBF
- RGBF - Non-Environmental; Supplied with Backshell Only
- UNI4883 Conduit Dimension — 20-27
- Alternate Insert Rotation (W, X, Y, Z) Omit for Normal (See Intro 20-21) — P
- Contact Gender — Y
- P - Pin
- S - Socket
- Shell Size and Insert Arrangement (See Intro 6-25) — 2924



Application Notes:

1. Straight plug connector with rubber-coated threaded adapter for termination of UNI4883 conduit.
2. Non-environmental (no grommet supplied).
3. Standard materials configuration consists of aluminum alloy with cadmium olive drab finish.
4. Standard contact material consists of copper alloy with silver plating (Gold plating available, see mod codes).
5. A broad range of additional connector accessories are available. See our website and/or contact the factory for complete information.
6. Standard insert material is synthetic rubber.
7. Add "FR" prefix to front of part number to specify fire-resistant insert elastomers.



**ITS 4106 (RGBF)
Straight Cylindrical Plug Connector
with Rubber-Coated Threaded Adapter
for Use with UNI4883 Conduit**



ITS-RG
Reverse Bayonet
Assemblies

TABLE I: DIMENSIONS

Dimensione Guscio Shell size	L Max.	ØQ ±0.5	ØQ1 ±0.5	Tubi in gomma Rubber conduits UNI 4883
14 S	92	35.0	42.0	
16 S	92	38.0	45.0	20x15
16	98	38.0	45.0	23x18
18	101	43.5	49.0	27x22
20	119	46.0	51.5	29x24
22	119	50.5	56.0	33x28
24	143	54.0	60.0	38x33
28	143	61.0	67.0	40x35
32	145	68.0	76.0	48x43
36	155	74.0	82.0	50x45
40	157	80.0	88.0	

TABLE II: MODIFICATION CODES

CONTACT OPTIONS	
Sym	Description
B0	Connector less contacts
B1	Connector with gold plated contacts
Omit for standard version (silver plated)	

