

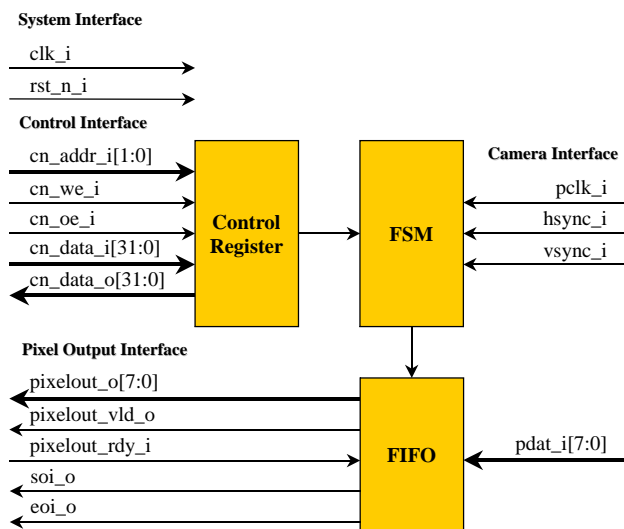
Overview

iW-Camera Interface core accepts pre-processed, synchronized frames in 10-bit YCbCr / RGB format from a digital camera and outputs 10-bit video data in the same format in a continuous stream without blanking and synchronization information for downstream processing.

Features

- ✧ Parallel interface support for 8-bit
- ✧ Pre-processed capture modes:
 - ❖ YCbCr 4:2:2 data format
 - ❖ GRB 4:2:2, RGB 565, RGB 555, RGB 444 data formats
- ✧ Programmable vertical and horizontal resolution
- ✧ Programmable polarity of frame clock & line clock

Block Diagram



Resource Utilization Summary

Actel Family	Device	Cores	RAM	IO	PLL	Fmax (MHz)
ProASIC3	A3P250	1261	1	104	0	63
IGLOO	AGL600	1243	1	104	0	32

Core Benefits

- ✧ Can be used in all kind of video processing applications

Core Applications

- ✧ By integrating with digital cameras this can be used in remote monitoring systems, security systems and etc.

Deliverables

- ✧ Technical Specification
- ✧ RTL Verilog Synthesizable Code
- ✧ Comprehensive Test Environment
- ✧ Technical Support and Maintenance

About Us

iWave Systems Technologies is an embedded Hardware and Software Turnkey Design Services company, focused on providing integrated solutions for developing innovative products and systems in the areas of Communication, Consumer electronics and Multimedia. iWave offers complete turnkey solutions for systems engineering and product development.

Contact Us

India: iWave Systems Technologies Pvt. Ltd., 7/B, 29th Main, BTM Layout 2nd Stage, Bangalore 560 076. INDIA
Ph : +91-80-26683700, 26786245, Fax : +91-80-26685200
Email : mktg@iwavesystems.com, Web : www.iwavesystems.com

Japan: iWave Japan, Inc. 8F Kannai Sumiyoshi Building 3-29, Sumiyoshi-cho, Naka-ku, Yokohama Kanagawa, Japan.
Ph : +81-45-227-7626, Fax : +81-45-227-7646, Email : info@iwavejapan.co.jp, Web : www.iwavejapan.co.jp

Note : iWave reserves the right to change these specifications without notice as part of iWave's continuous effort to meet the best of breed specification.
The registered trade marks are properties of their respective owners.

Supply of this core does not convey nor imply a right under the patent rights of the respective patent holders, if any, to make use or sell any product employing these patent rights.
A patent license from respective patent holder may be required for any use of such patent rights, including the implementation of the core in an FPGA or an Integrated Circuit or any other device.