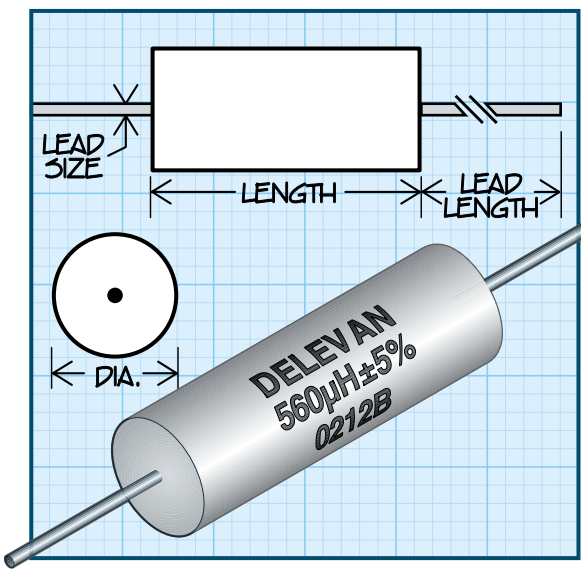


Molded Unshielded RF Coils



Physical Parameters

	Inches	Millimeters
Length	0.880 to 0.910	22.35 to 23.11
Diameter	0.270 to 0.310	6.86 to 7.87
Lead Size		
AWG #21 TCW	0.0260 to .0305	0.66 to 0.77
Lead Length	1.30 Min.	33.02 Min.

Operating Temperature -55°C to +125°C

Current Rating at 90°C Ambient 35°C Rise

Maximum Power Dissipation at 90°C 0.540 W

Test Methods MIL-PRF-15305 test methods, only. MS21380-01 to MS21380-49, reference.

Packaging Tape & reel: 12" reel, 800 pieces max.; 14" reel, 1300 pieces max. For additional packaging options, see technical section.

Made in the U.S.A.

	DASH NUMBER*	MIL DASH # (Ref.)	INDUCTANCE (µH)	TOLERANCE	INDUCTANCE TEST FREQUENCY (MHz)	Q TEST FREQUENCY (MHz)	Q MINIMUM	SRF MINIMUM (MHz)	DC RESISTANCE MAXIMUM (OHMS)	CURRENT RATING MAXIMUM (ma)
MS21380 (Reference) - SERIES 4470 IRON CORE										
-01K	1	1.0	± 10%	25.0	15.0	130	136.0	0.03	4000	
-02K	2	1.2	± 10%	7.9	15.0	130	124.0	0.03	4000	
-03K	3	1.5	± 10%	7.9	10.0	130	112.0	0.03	4000	
-04K	4	1.8	± 10%	7.9	10.0	130	100.0	0.03	4000	
-05K	5	2.2	± 10%	7.9	10.0	130	92.0	0.04	3500	
-06K	6	2.7	± 10%	7.9	10.0	100	81.6	0.04	3500	
-07K	7	3.3	± 10%	7.9	7.9	100	72.0	0.04	3500	
-08K	8	3.9	± 10%	7.9	7.9	80	68.0	0.05	3100	
-09K	9	4.7	± 10%	7.9	7.9	75	64.0	0.05	3100	
-10K	10	5.6	± 10%	7.9	7.9	65	57.6	0.06	3000	
-11K	11	6.8	± 10%	7.9	7.9	65	52.0	0.06	3000	
-12K	12	8.2	± 10%	7.9	7.9	65	45.6	0.09	2400	
-13K	13	10.0	± 10%	7.9	5.0	75	40.0	0.15	1800	
-14K	14	12.0	± 10%	2.5	5.0	75	36.0	0.20	1600	
-15J	15	15.0	± 5%	2.5	5.0	75	32.0	0.30	1300	
-16J	16	18.0	± 5%	2.5	5.0	75	28.8	0.40	1150	
-17J	17	22.0	± 5%	2.5	2.5	75	25.6	0.50	1000	
-18J	18	27.0	± 5%	2.5	2.5	70	24.0	0.60	900	
-19J	19	33.0	± 5%	2.5	2.5	70	22.4	0.70	850	
-20J	20	39.0	± 5%	2.5	2.5	70	20.8	1.00	720	
-21J	21	47.0	± 5%	2.5	2.5	75	20.0	1.30	620	
-22J	22	56.0	± 5%	2.5	2.5	80	17.6	1.80	540	
-23J	23	68.0	± 5%	2.5	2.5	100	16.0	2.40	450	
-24J	24	82.0	± 5%	2.5	2.5	100	14.4	2.80	425	
-25J	25	100.0	± 5%	2.5	1.5	100	13.6	3.20	400	
-26J	26	120.0	± 5%	0.79	1.5	100	12.0	4.10	360	
-27J	27	150.0	± 5%	0.79	1.0	100	11.2	6.40	280	
-28J	28	180.0	± 5%	0.79	1.0	95	9.60	9.50	240	
-29J	29	220.0	± 5%	0.79	1.0	95	8.80	12.0	200	
-30J	30	270.0	± 5%	0.79	1.0	70	7.20	13.0	195	
-31J	31	330.0	± 5%	0.79	0.79	65	6.00	14.0	190	
-32J	32	390.0	± 5%	0.79	0.79	65	5.20	15.5	180	
-33J	33	470.0	± 5%	0.79	0.79	60	4.40	17.0	170	
-34J	34	560.0	± 5%	0.79	0.50	75	3.20	18.5	165	
-35J	35	680.0	± 5%	0.79	0.50	75	2.56	20.0	155	
-36J	36	820.0	± 5%	0.79	0.50	75	2.24	22.0	150	
-37J	37	1000.0	± 5%	0.79	0.50	75	1.92	24.0	145	
-38J	38	1200.0	± 5%	0.79	0.50	75	1.68	27.0	137	
-39J	39	1500.0	± 5%	0.79	0.40	75	1.52	29.0	130	
-40J	40	1800.0	± 5%	0.79	0.40	65	1.36	32.0	125	
-41J	41	2200.0	± 5%	0.25	0.25	65	1.20	35.0	120	
-42J	42	2700.0	± 5%	0.25	0.25	65	1.04	40.0	112	
-43J	43	3300.0	± 5%	0.25	0.25	65	0.96	45.0	105	
-44J	44	3900.0	± 5%	0.25	0.25	65	0.80	49.0	100	
-45J	45	4700.0	± 5%	0.25	0.25	65	0.76	53.0	95	
-46J	46	5600.0	± 5%	0.25	0.25	65	0.68	60.0	90	
-47J	47	6800.0	± 5%	0.25	0.25	65	0.60	67.0	85	
-48J	48	8200.0	± 5%	0.25	0.25	65	0.52	75.0	82	
-49J	49	10000.0	± 5%	0.25	0.15	65	0.47	80.0	80	

Optional Tolerances: J = 5% H = 3% G = 2% F = 1%

*Complete part # must include series # PLUS the dash #

For further surface finish information, refer to TECHNICAL section of this catalog.