

## Bayonet-Lock Type Single-Conductor Optical Connector



- MBO Series represents single-channel optical connectors equipped with a bayonet-locking mechanism which allows its easy attaching and removing.

### FEATURE

- Model for large-diameter fibers available.
- Designed for fixed connection with cable by bonding and crimping
- Optical connector with bayonet-locking mechanism allowing speedy attaching and removing.

### Use

- Short distance communication between devices for factory and office automation, etc.

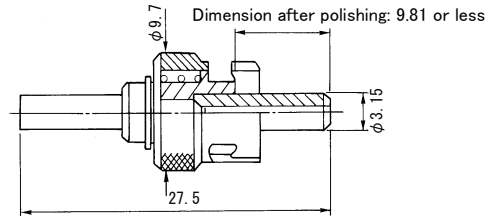
E  
MBO

## Specifications

Insert loss	Fiber	APF980/1000
	Flat polishing	2.0 dB
Operational temperature		-25 to +70°C
Durability		500 times

## ■ Plug

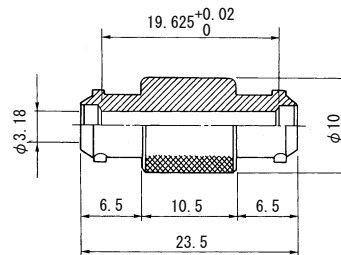
### MBO-PA-00□-CF



P/N	Diameter of ferrule hole	Applicable fiber diameter	Applicable outer diameter of sheath
MBO-PA-001-CF	1.05 <sup>+0.03</sup> <sub>0</sub>	1.0mm	2.2mm <sup>±0.1</sup>
MBO-PA-003-CF	0.8 <sup>±0.01</sup>	0.75mm	2.2mm <sup>±0.1</sup>
MBO-PA-009-CF	0.55 <sup>±0.01</sup>	0.5mm	1.0mm

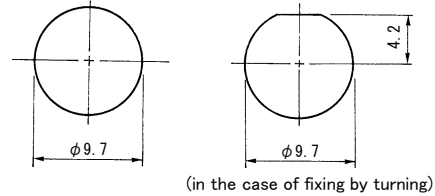
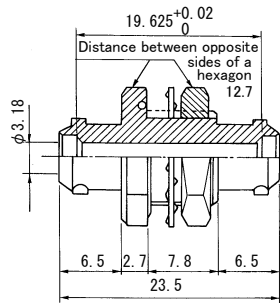
## ■ Adapter

### MBO-AA-001-CF



## Bulk Head Type

### MBO-AB-001-CF



(in the case of fixing by turning)

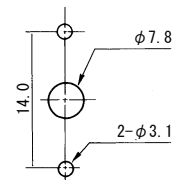
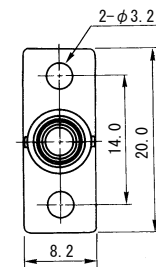
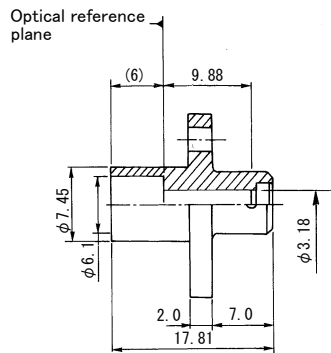
Dimensions of mounting holes  
(plate thickness: 3 mm or less)

E  
MBO

## Receptacle

### Model Mounted on Panel

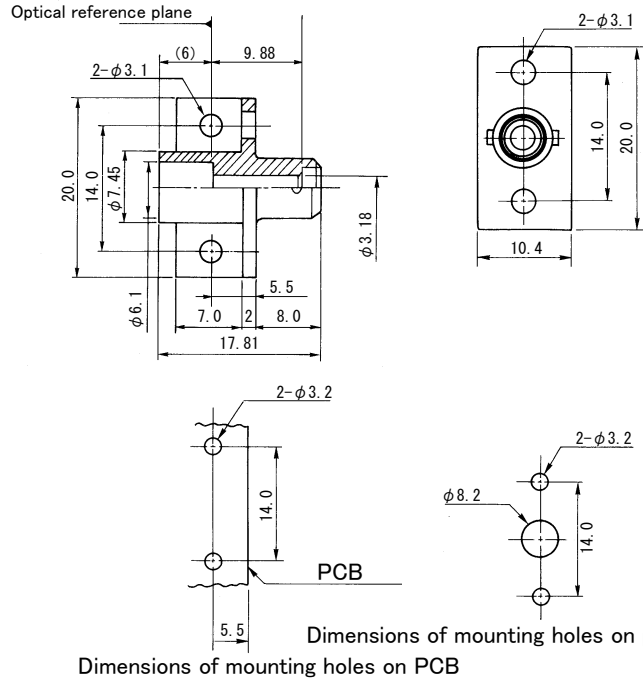
### MBO-RA-001



Dimensions of mounting holes on panel

## Models Mounted on PCB (by screw thread) and Panel

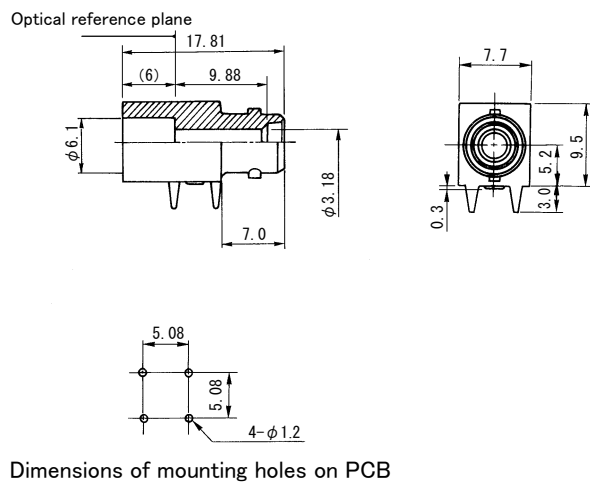
### MBO-RB-001



E  
MBO

## Models Mounted on PCB by Solder-Dip

### MBO-RC-001

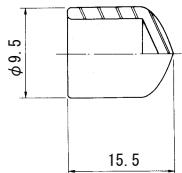


## ■ Dust-proof Cap

### For Plug

#### Cap V005Y

(Material: vinyl chloride, yellow)



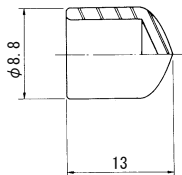
E

MBO

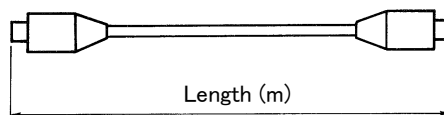
### For Adapter and Receptacle

#### Cap V004R

(Material: vinyl chloride, red)



## ■ Optical Fiber Code with Connector (with Cap)



FOJ-MBOP2-A-( )M-CF

Length (m)

A: With connector at an end  
B: With connector at both ends

**Fiber types**  
P2: APF980/1000  $\phi$  2.2 code