

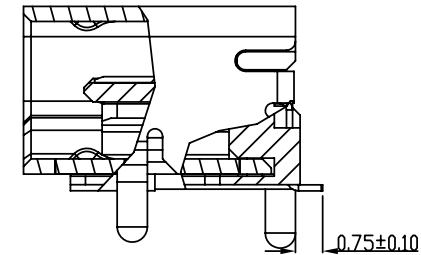
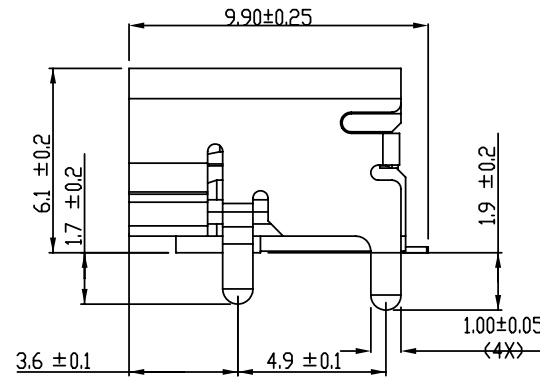
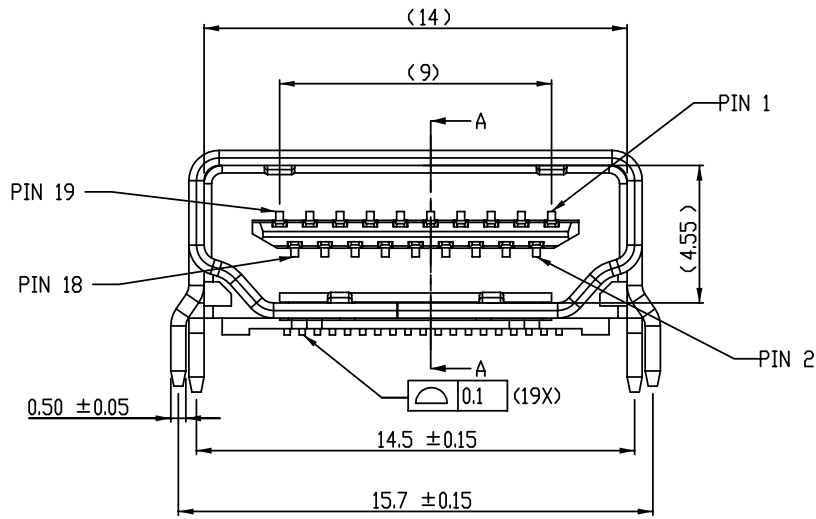
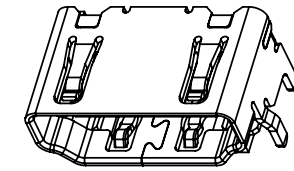
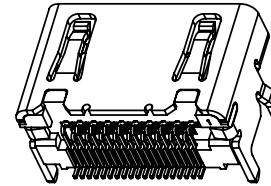
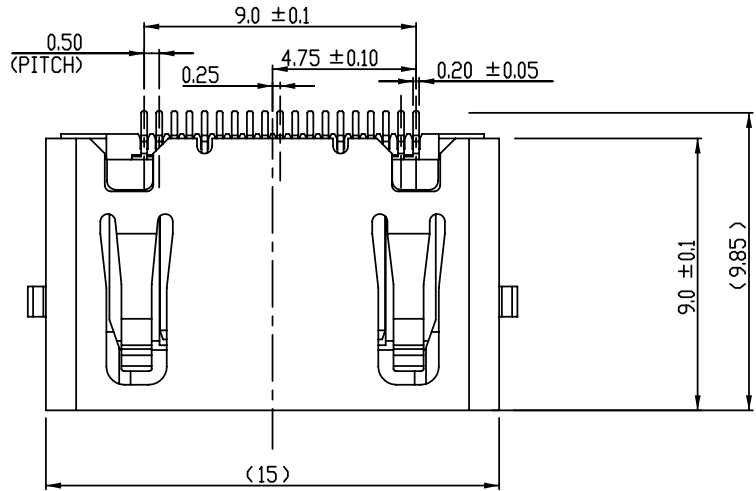
1

2

3

4

PRODUCT NO.
10029449-X01XLF



SECTION A-A

Tous droits strictement reserves. Reproduction ou communication a des tiers interdite sous quelque forme que ce soit sans autorisation ecrite du proprietaire. Propriete de c FCI. Droits de reproduction FCI.

All rights strictly reserved. Reproduction or issue to third parties in any form whatever is not permitted without written authority from the proprietor. Property of FCI. Copyright FCI.

Mark with
10029449-001
REV. 1
in area indicated
by X....



www.fciconnect.com

tolerance

projection

Dr	LEIF SHEN	10/15/04	Product family
Eng	LEIF SHEN	10/15/04	Spec ref
Chr	PAUL WANG	10/15/04	Material
Appr	JOSEPH HSIA	10/15/04	

size

Scale

GENERAL TOLERANCE					
DIMENSION	ANGLE				
.±0.8	X°±	-	-	-	-
.x±0.4	X°±2°	-	-	-	-
.xx±0.2		-	-	-	-

A4

1.000

title
HDMI TYPE A RECEPTACLE
HDMI

dwg no

10029449

Rev.
N

catalog no

*

CUSTOMER

sheet 1 of 4

1

2

3 PDM: Rev:N

STATUS: Released

4 Printed: May 06, 2010

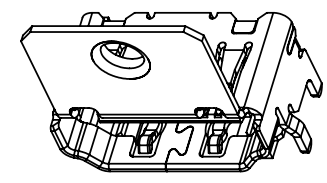
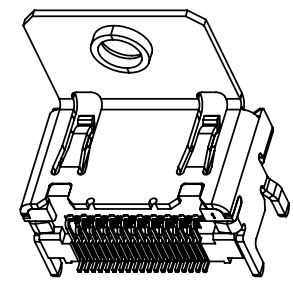
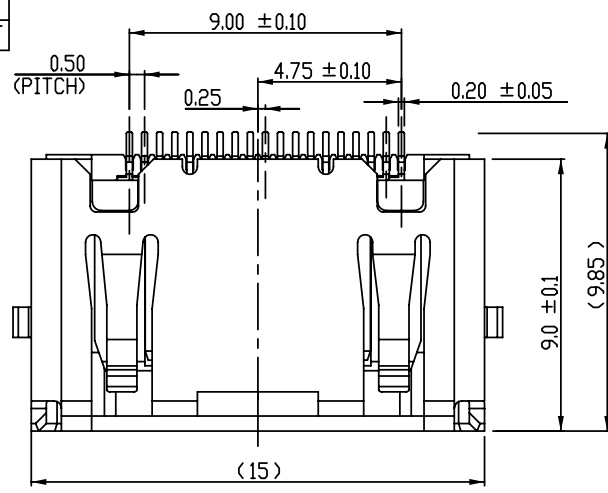
1

2

3

4

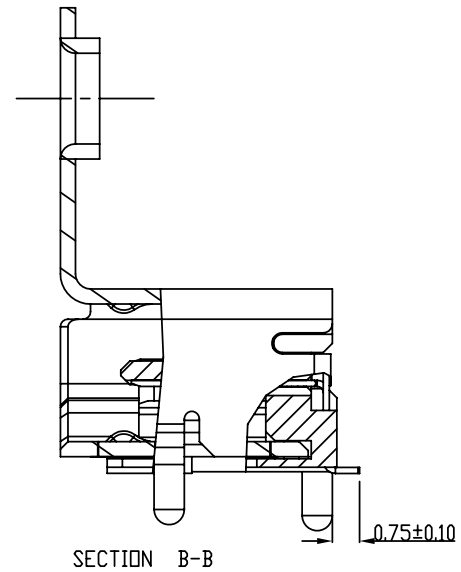
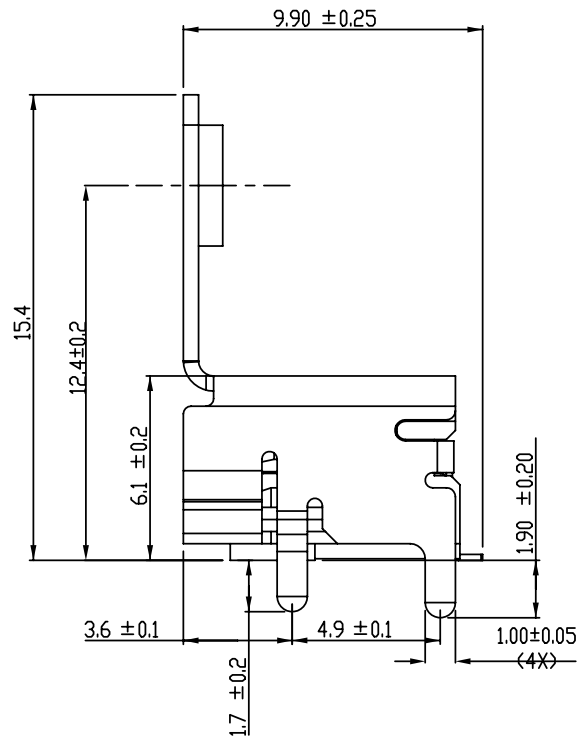
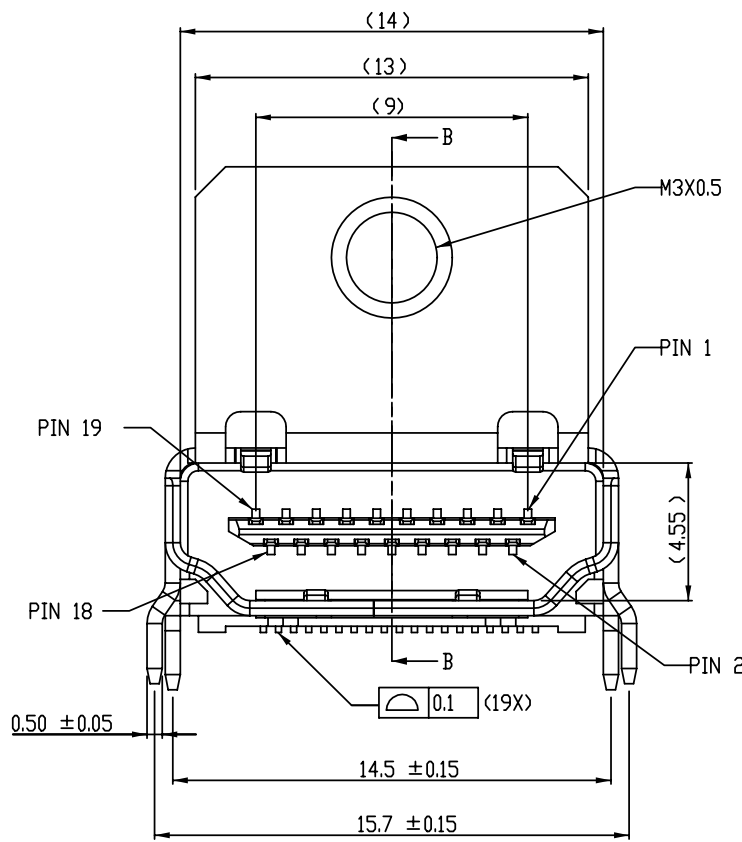
PRODUCT NO.
10029449-002XLF



Tous droits strictement reserves. Reproduction ou communication a des tiers interdite sous quelque forme que ce soit sans autorisation écrite du propriétaire. Propriete de c FCI. Droits de reproduction FCI.



All rights strictly reserved. Reproduction or issue to third parties in any form whatever is not permitted without written authority from the proprietor. Property of FCI. Copyright FCI.



title	HDMI TYPE A RECEPTACLE		dwg no	10029449	Rev.	M
	HDMI			* CUSTOMER		sheet 2 of 4
catalog no						

1

2

3 PDM: Rev:N

STATUS: Released

4 Printed: May 06, 2010

Tous droits strictement reserves. Reproduction ou communication a des tiers interdite sous quelque forme que ce soit sans autorisation ecrite du proprietaire. Propriete de c FCI. Droits de reproduction FCI.



All rights strictly reserved. Reproduction or issue to third parties in any form whatever is not permitted without written authority from the proprietor. Property of FCI. Copyright FCI.

PRODUCT NO.	CONTACT AREA PLATING	SHIELD FIGURE	PACKING
10029449-001TLF	30u" Au MINIMUM	WITHOUT FLANGE	TRAY
10029449-001RLF	30u" Au MINIMUM	WITHOUT FLANGE	TAPE AND REEL
10029449-101TLF	GOLD FLASH 3u" MIN	WITHOUT FLANGE	TRAY
10029449-101RLF	GOLD FLASH 3u" MIN	WITHOUT FLANGE	TAPE AND REEL
10029449-002TLF	30u" Au MINIMUM	WITH FLANGE	TRAY
10029449-002RLF	30u" Au MINIMUM	WITH FLANGE	TAPE AND REEL
10029449-002FLF	GOLD FLASH 3u" MIN	WITH FLANGE	TAPE AND REEL

NOTES:

1.MATERIAL

- 1-1 HOUSING: GLASS FIBER HIGH-TEMP. RESIN.(UL94V-0)
- 1-2 CONTACT: BRASS
- 1-3 SHELL : STEEL

2 FINISH

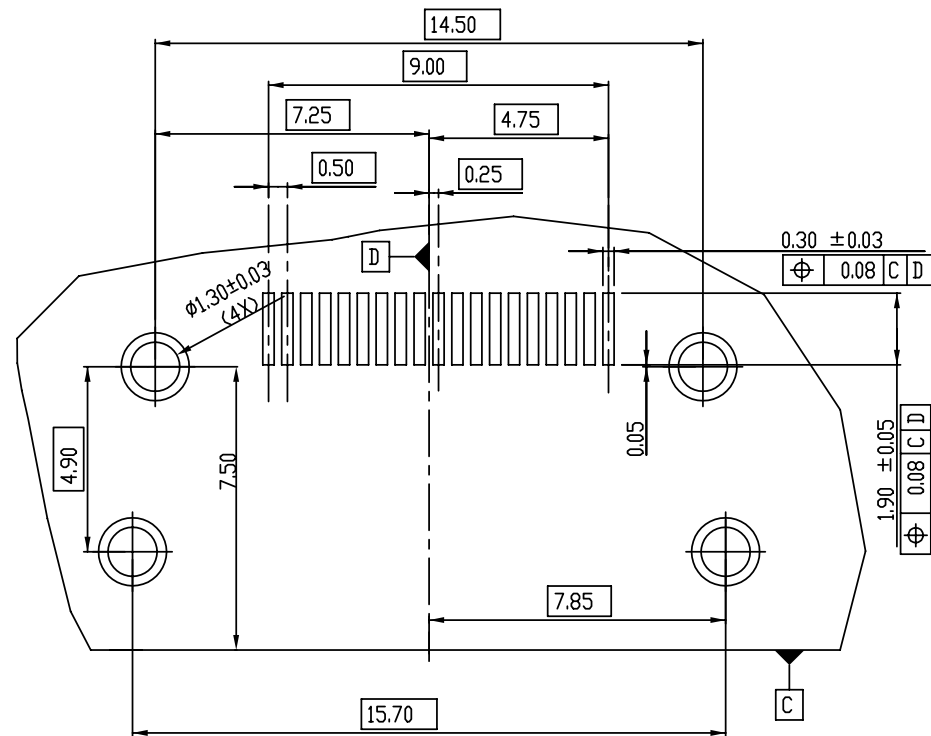
- 2-1 CONTACT : Ni UNDER PLATED ALL OVER 50u" MIN
CONTACT AREA SEE TABLE
- 2-2 SHELL : Ni 100u" MIN.

3 PACKAGING:

PACKAGING SPECIFICATION GS-14-939.

4.RoHS STANDARD SPECIFICATION ACCORDING TO FCI GS-22-008.

5. PARTS MEET REFLOW APPLICATION PEAK TEM. 260 DEGREE C, 10 SECONDS MAX.



RECOMMENDED PCB PATTERN LAYOUT
(t=1.6mm)

title	HDMI TYPE A RECEPTACLE	dwg no	10029449	Rev.	N
	HDMI				
catalog no		*	CUSTOMER	sheet 3 of 4	

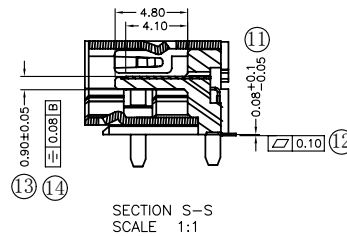
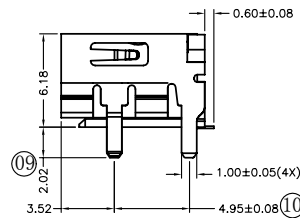
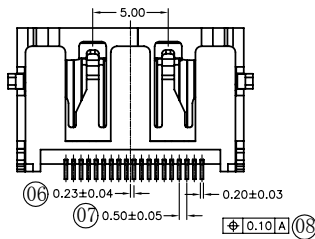
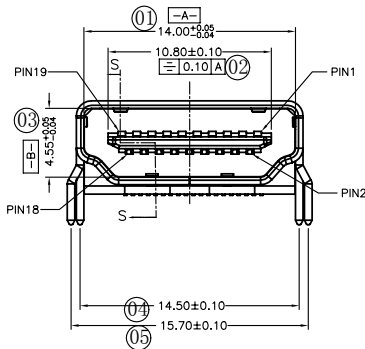
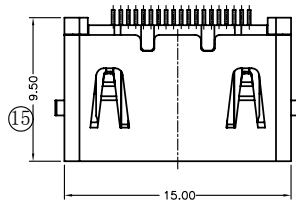
1

2

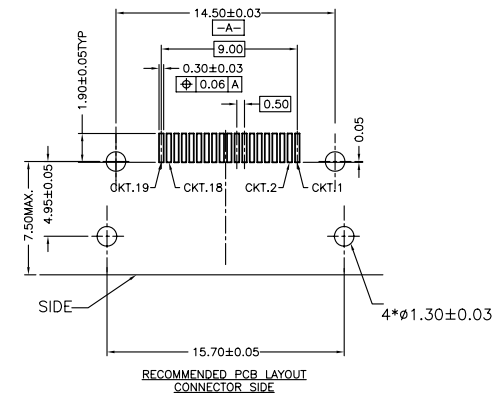
3

4

PRODUCT NO.	CONTACT AREA PLATING	SHIELD FIGURE	PACKING
10029449-111RLF	GOLD FLASH 3u" MIN	WITHOUT FLANGE	TAPE AND REEL



NOTE:
 1.MATERIAL:
 HOUSING: HIGH TEMP.THERMOPLASTIC, UL 94V-0
 COLOR: BLACK.
 CONTACT: PHOSPHOR BRONZE
 SHIELD: BRASS
 2.FINISH:
 SEE NOTES.
 3.TERMINAL RETENTION FORCE TO BE 0.3kgf MIN.
 4.TERMINAL CUT-OFF BURR TO BE 0.05MAX.
 5.MARKED ⊙ DIMENSION SHOULD BE MEASURED BY QIP; * =1,2,3...



Mark with
 10029449-001
 REV. 1
 in area
 indicated

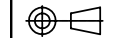


www.fciconnect.com



tolerance

projection



Dr	LEIF SHEN	10/15/04	Product family	size	A4	Scale	1.000
Eng	LEIF SHEN	10/15/04	Spec ref	*			
Chr	PAUL WANG	10/15/04	Material	SEE NOTES	ECN		
Appr	JOSEPH HSIA	10/15/04					
title	HDMI TYPE A RECEPTACLE			dwg no	10029449	Rev.	N
title	HDMI						
catalog no	*			CUSTOMER	sheet 4 of 4		

Rev	Rev. no	dr	date
L	N09-0159	SH	05/27/09
M	N09-0307	SH	10/21/09
N	N10-0033	SH	02/01/10

GENERAL TOLERANCE	DIMENSION	ANGLE
.±0.8	X°±	-
.x±0.4	X°±2°	-
.xx±0.2		-

Tous droits strictement reserves. Reproduction ou communication a des tiers interdite sous quelque forme que ce soit sans autorisation écrite du propriétaire. Propriete de c FCI. Droits de reproduction FCI.



All rights strictly reserved. Reproduction or issue to third parties in any form whatever is not permitted without written authority from the proprietor. Property of FCI. Copyright FCI.

1

2

3 PDM: Rev:N

STATUS: Released 4 Printed: May 06, 2010