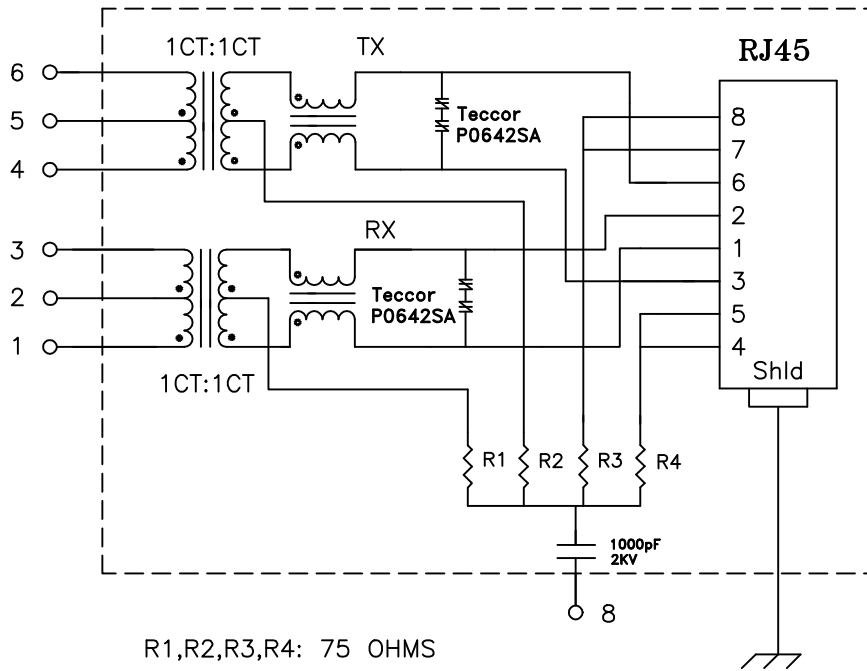


Schematic:



Electrical Specifications: @25°C

- Isolation Voltage: 1500 Vrms (Input to Output)
- Isolation Voltage: 500 Vrms (P1+2+3 to P4+5+6)
- Turns Ratio: TX 1CT:1CT ±3% RX 1CT:1CT ±3%
- CABLE SIDE OCL: 350uH Minimum @100KHz 100mV 8mADC
- Cw/w: 27pF Typical @100KHz 100mV
- Insertion Loss (300KHz-100MHz): -1.0dB Minimum
- Return Loss: @30MHz -18dB Minimum
- @80MHz -12dB Minimum

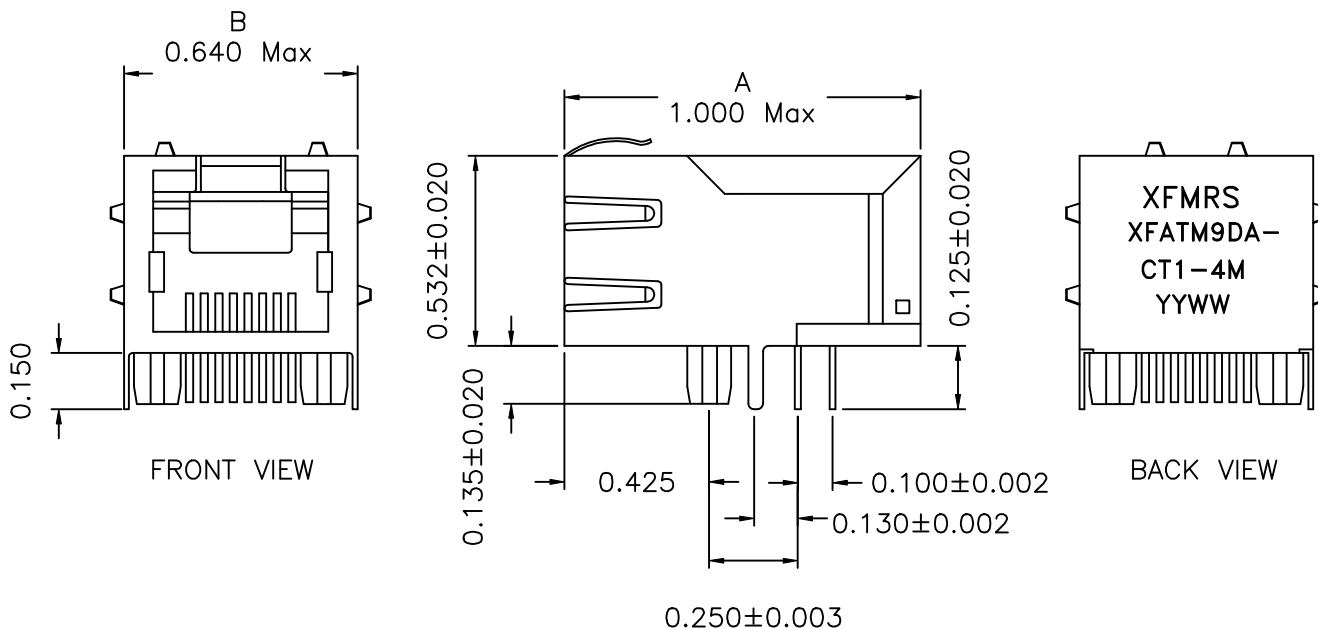
Note:

1. Solderability: Leads shall meet MIL-STD-202, Method 208D for solderability.
2. Flammability: UL94V-0,
3. ASTM oxygen index: > 28% ,
4. Temperature rating: 155°C. UL file E151556,
5. Operating Temperature Range: -40°C to +85°C

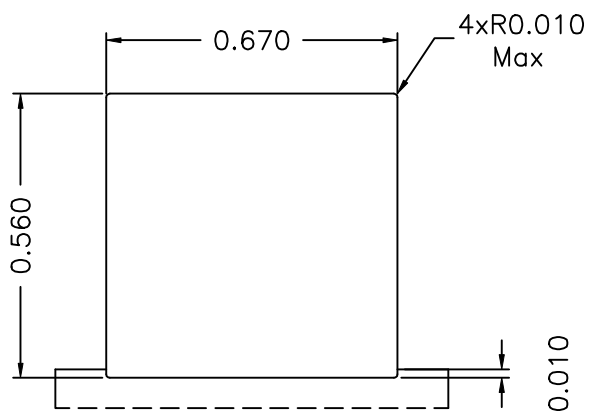
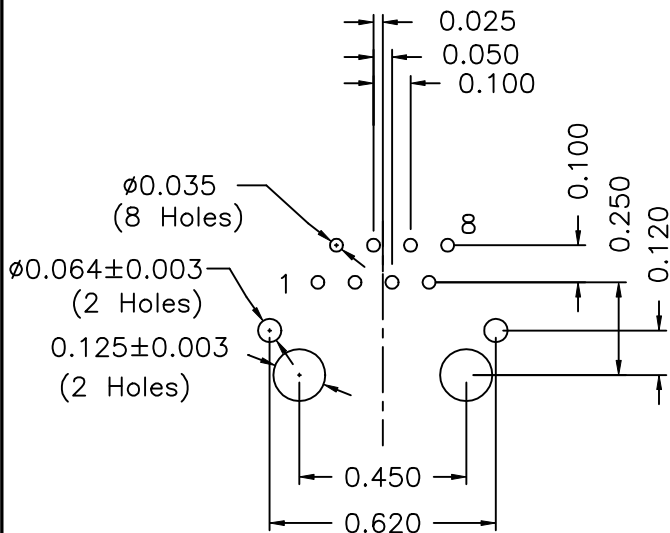
DOC. REV: A/1

XFMR Inc.	Title: SINGLE PORT COMBO		
UNLESS OTHERWISE SPECIFIED TOLERANCES: .xxx ±0.010 Dimensions in Inch	P/N: XFATM9DA-CT1-4M		REV. A
	DWN.	李清儿	Dec-2-02
	CHK.	孙小松	Dec-2-02
SHEET 1 OF 2	APP.	BW	Dec-2-02

Mechanical Dimensions:



Mounting Pattern:



**FACE VIEW
RECOMMENDED PANEL CUTOUT**

DOC. REV A/1

XFMRS Inc.	Title: Mechanical Dimensions For TAB UB RJ45 COMBO		
	UNLESS OTHERWISE SPECIFIED TOLERANCES: .xxx ±0.010 Dimensions in Inch	P/N: XFATM9DA-CT1-4M	REV. A
SHEET 2 OF 2	DWN.	李小锋	Dec-2-02
	CHK.	廖玉坤	Dec-2-02
	APP.	BW	Dec-2-02