

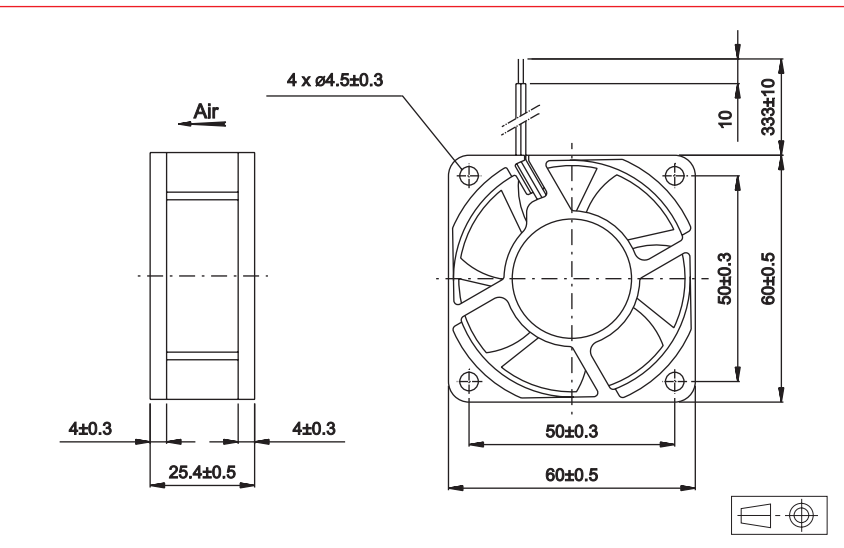


Approvals



Life expectancy

L-10 LIFE AT 40°C :
70 000 hours

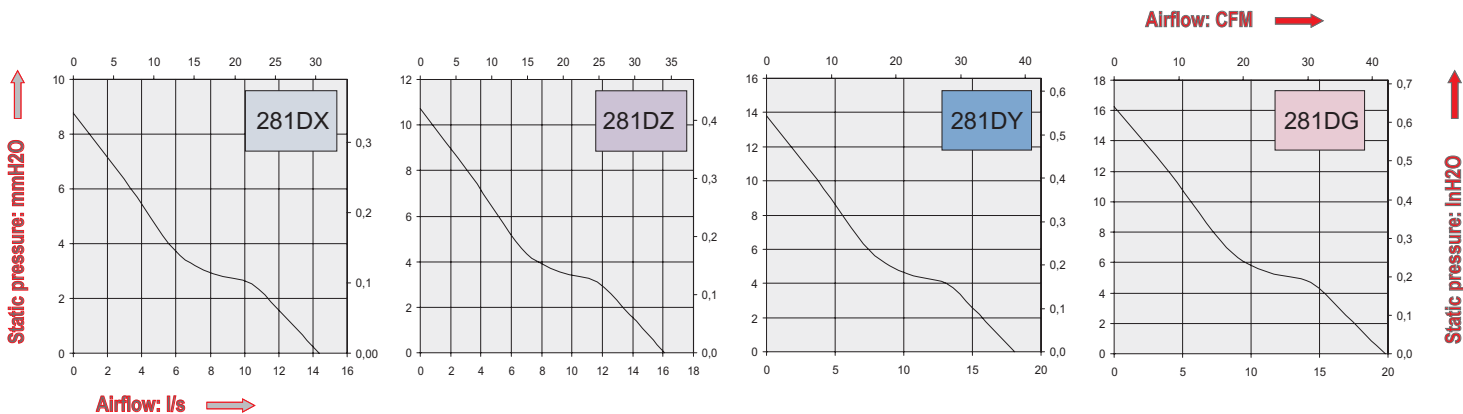


Brushless DC Motor

Electrical protection: impedance protected,
Housing material: plastic UL 94 VO
Impeller material: plastic UL 94 VO
Weight: 80 g
Bearing system: ball bearings

Available with:

- Speed sensor
- Alarm
- IP54 / IP55



Part Number	Nominal voltage	Airflow	Noise level	Nominal speed	Input Power	Voltage range	Connection type		Operating temperature	
	V						l/s	dB(A)	RPM	W
281DX1LP11000B	12	14,4	42,5	5500	2,76	(4-13,8)	X		-10	70
281DX2LP11000B	24	14,4	42,5	5500	3,36	(14-27,6)	X		-10	70
281DX4LP11000B	48	14,4	42,5	5500	4,32	(28-56)	X		-10	70
281DZ1LP11000B	12	16,1	44,5	6000	3,24	(4-13,8)	X		-10	70
281DZ2LP11000B	24	16,1	44,5	6000	4,08	(14-27,6)	X		-10	70
281DZ4LP11000B	48	16,1	44,5	6000	5,28	(28-56)	X		-10	70
281DY1LP11000B	12	18,1	46,5	6800	4,56	(4-13,8)	X		-10	70
281DY2LP11000B	24	18,1	46,5	6800	5,76	(14-27,6)	X		-10	70
281DY4LP11000B	48	18,1	46,5	6800	6,72	(28-56)	X		-10	70
281DG1LP11000B	12	19,8	50,5	7500	6,60	(7-13,2)	X		-10	70

Additional versions: Lower speeds (refer to page 12) | **Accessories:** Refer to Accessories leaflet