

FCI CONFIDENTIAL



This document is the property of and embodies CONFIDENTIAL and PROPRIETARY information of FCI. No part of the information shown on this document may be used in any way or disclosed to others without the written consent of FCI. Copyright FCI.

PRODUCT NUMBER
20020008-XXX1B01LF

20020008 - [] [] [] 1 B 0 1 L F

PITCH

POLES

LF: DENOTED RoHS COMPATIBLE

C: 3.50 mm
D: 3.81 mm
G: 5.00 mm
H: 5.08 mm

02: 2 POLES
03: 3 POLES
04: 4 POLES
|
|
24: 24 POLES

PROPERTY TABLE

| FCI SERIES NAME | 02-350 | 02-381 | 02-500 | 02-508 |
|----------------------------|----------|----------|----------|----------|
| PITCH (mm) | 3.50 | 3.81 | 5.00 | 5.08 |
| VOLTAGE RATING (VAC) | 300 | 300 | 300 | 300 |
| CURRENT RATING (A) | 8 | 8 | 12 | 12 |
| APPLICABLE WIRE RANGE(AWG) | 16~28 | 16~28 | 12~24 | 12~24 |
| WIRE CROSS SECTION (mm*mm) | 1.5~0.15 | 1.5~0.15 | 4.0~0.2 | 4.0~0.2 |
| WIRE STRIP LENGTH(mm) | 6~7 | 6~7 | 6~7 | 6~7 |
| TORQUE +/-10% (N-m/Lb-in) | 0.19/1.7 | 0.19/1.7 | 0.4/3.5 | 0.4/3.5 |
| SCREW | M2x0.4 | M2x0.4 | M3x0.5 | M3x0.5 |
| WITHSTANDING VOLTAGE (kV) | 1.6 | 1.6 | 1.6 | 1.6 |
| OPERATING TEMP. (°C) | -40~+115 | -40~+115 | -40~+115 | -40~+115 |
| POLES AVAILABLE | 02~24 | 02~24 | 02~24 | 02~24 |

SAFETY CERTIFICATE



NOTES:

1. MATERIALS

- 1-1 HOUSING: THERMALPLASTIC RESIN, UL 94V-0 RATED, COLOR GREEN.
- 1-2 SCREW: STEEL, ZINC PLATED.
- 1-3 CLAMP: BRASS, NICKEL PLATED.
- 1-4 TERMINAL: PHOSPHOROUS BRONZES, TIN PLATED.

2. PRODUCT SPECIFICATION REFER TO FCI GS-12-625.

3. BOXED PACKAGING,

DETAILED PRODUCT PACKING SPECIFICATION REFER TO FCI GS-14-1394.

4. FCI, SAFETY CERTIFICATE LOGO AND SERIES NAME TO BE SHOWN ON PRODUCT SURFACE.

5. THE PRODUCTS WHERE THE PART NUMBER END IN "LF" MEET THE EUROPEAN UNION DIRECTIVE AND OTHER COUNTRY REGULATIONS AS DESCRIBED IN GS-22-008.

| TOLERANCES UNLESS OTHERWISE SPECIFIED | | rev | ecn no | dr | date |
|---------------------------------------|------|-------|------------|----|--------|
| LINEAR | X | ±0.5 | D T10-0042 | WL | 030310 |
| | X.X | ±0.30 | - | - | - |
| | X.XX | ±0.10 | - | - | - |
| ANGULAR | X' | ±1' | - | - | - |

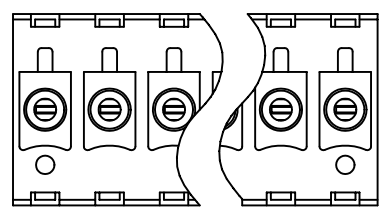
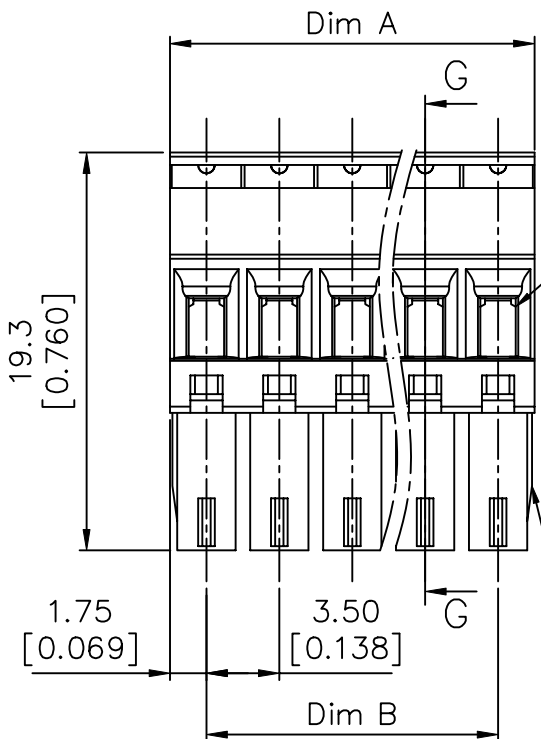
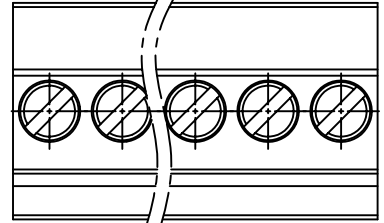
| | | | | |
|------------------|------------|---------------------------------|--------------|----------|
| Material | Spec ref | * | | |
| Mat code | ✓ | tolerance | projection | MM |
| Heattreat | | | | |
| Plating/Finish | | | size | A4 |
| Dr BEER FU | 062509 | | Scale | |
| Eng BEER FU | 062509 | Product family | | |
| Chr GARY HSIEH | 062509 | Model Name | ECN | T10-0042 |
| Appr JOSEPH HSIA | 062509 | Model Revision | REL Level | RELEASED |
| | title | TERMINAL BLOCK | | Rev. |
| | | Pluggable plug, hook entry side | | D |
| Pro/E file | catalog no | dwg no | 20020008 | |
| | | CUSTOMER | sheet 1 of 5 | |

REV: 2008-04-17

FCI CONFIDENTIAL

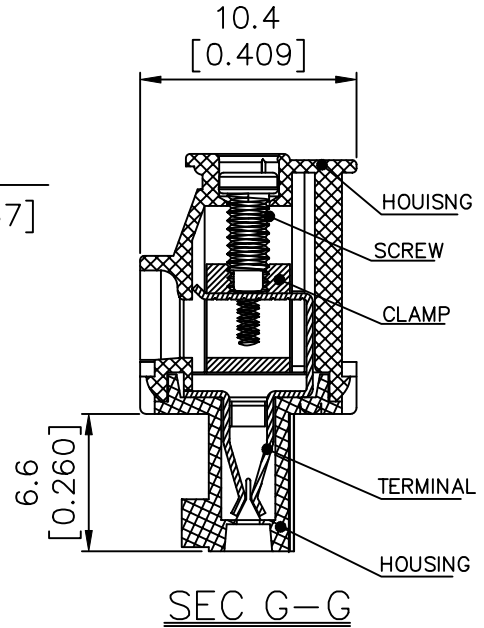
FCI
This document is the property of and embodies CONFIDENTIAL and PROPRIETARY information of FCI. No part of the information shown on this document may be used in any way or disclosed to others without the written consent of FCI. Copyright FCI.

| | | |
|--------------------|-------------|---------|
| PRODUCT NUMBER | SERIES NAME | PITCH |
| 20020008-CXX1B01LF | 02-350 | 3.50 mm |



□2.8x1.7
[0.110x0.067]

2p to 6p with wedge, above 7p
without wedge (including 7p)



N = Number of poles
Dim A = N x 3.5 [0.138]
Dim B = (N-1) x 3.5 [0.138]

| TOL. | Dim A | Dim B |
|--------|---------------|-------|
| 2-6p | ±0.15 [0.006] | |
| 7-12p | ±0.20 [0.008] | |
| 13-18p | ±0.25 [0.010] | |
| 19-24p | ±0.30 [0.012] | |

| | | | | |
|----------------|--------------------|---------------------------------|-----------|--------------------|
| Material | | Spec ref | | |
| Mat code | | ✓ | tolerance | projection |
| Heattreat | | | | MM |
| Plating/Finish | | | ⊕ | ← |
| Dr | BEER FU 062509 | | size | A4 |
| Eng | BEER FU 062509 | Product family | | Scale |
| Chr | GARY HSIEH 062509 | Model Name | | ECN T10-0042 |
| Appr | JOSEPH HSIA 062509 | Model Revision | | REL Level RELEASED |
| FCI title | | TERMINAL BLOCK | | dwg no |
| | | Pluggable plug, hook entry side | | |
| Pro/E file | | catalog no | | 20020008 |
| | | CUSTOMER | | Rev. D |
| | | sheet 2 of 5 | | |

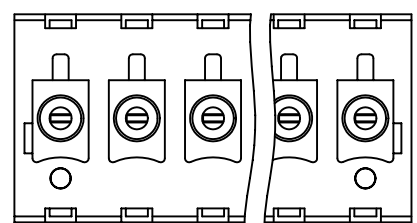
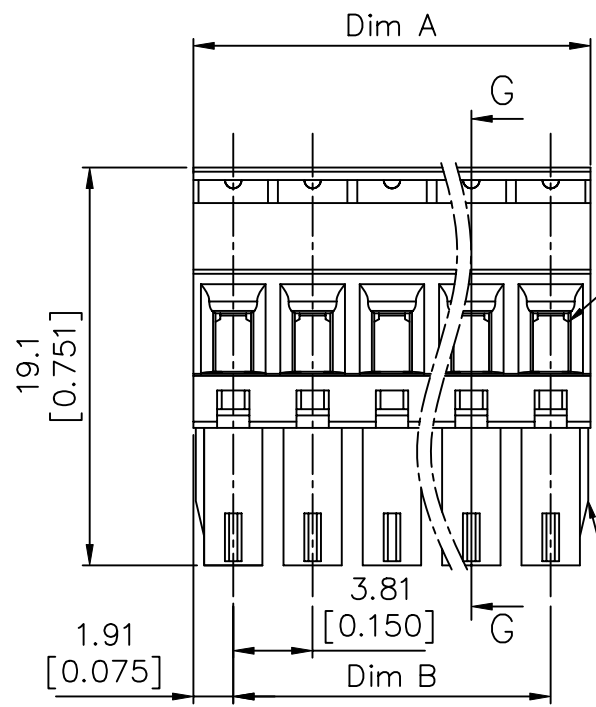
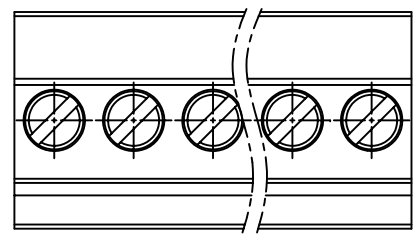
REV: 2008-04-17

FCI CONFIDENTIAL



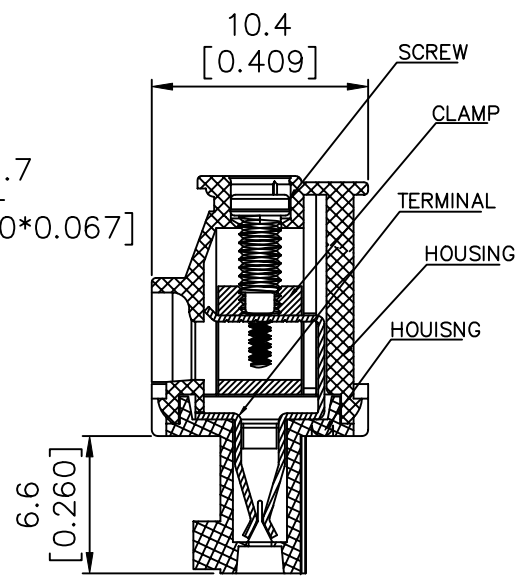
This document is the property of and embodies CONFIDENTIAL and PROPRIETARY information of FCI. No part of the information shown on this document may be used in any way or disclosed to others without the written consent of FCI. Copyright FCI.

| | | |
|--------------------|-------------|---------|
| PRODUCT NUMBER | SERIES NAME | PITCH |
| 20020008-DXX1B01LF | 02-381 | 3.81 mm |



□2.8x1.7
[0.110*0.067]

2p to 6p with wedge, above 7p
without wedge(including 7p)



N = Number of poles
Dim A=Nx3.81[0.150]
Dim B=(N-1)x3.81[0.150]

| TOL. | Dim A | Dim B |
|--------|--------------|-------|
| 2-6p | ±0.15[0.006] | |
| 7-12p | ±0.20[0.008] | |
| 13-18p | ±0.25[0.010] | |
| 19-24p | ±0.30[0.012] | |

| | | | | |
|--------------------------|--------|-----------------|------------|--------------------|
| Material | | Spec ref | | |
| Mat code | | tolerance | projection | MM |
| Heattreat | | | | |
| Plating/Finish | | | | |
| Dr BEER FU | 062509 | | size A4 | Scale |
| Eng BEER FU | 062509 | Product family | | |
| Chr GARY HSIEH | 062509 | Model Name | | ECN T10-0042 |
| Appr JOSEPH HSIA | 062509 | Model Revision | | REL Level RELEASED |
| FCI title TERMINAL BLOCK | | dwg no 20020008 | | Rev. D |
| Pro/E file catalog no | | CUSTOMER | | sheet 3 of 5 |

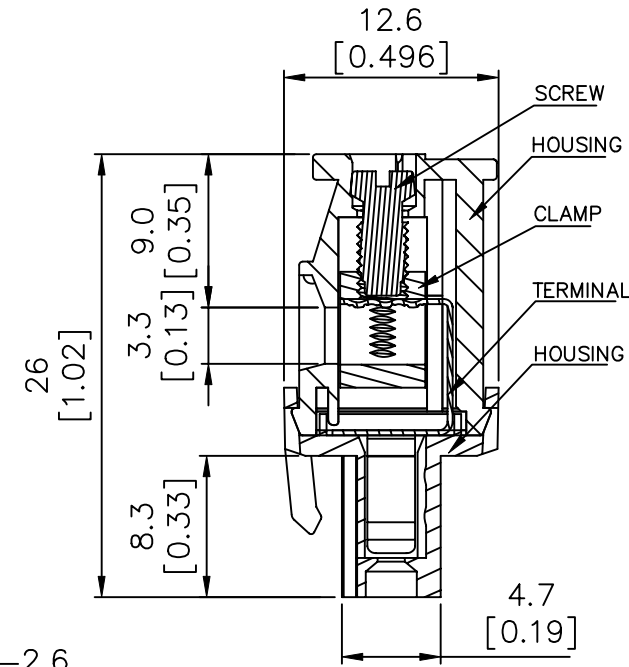
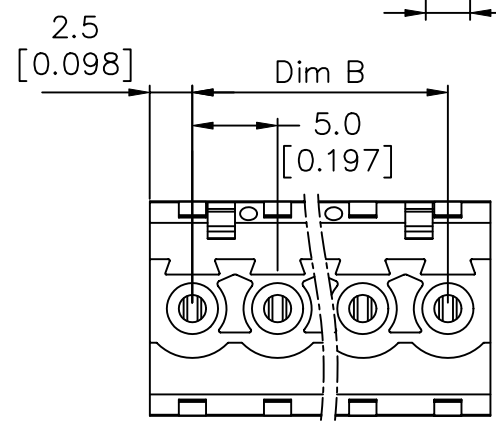
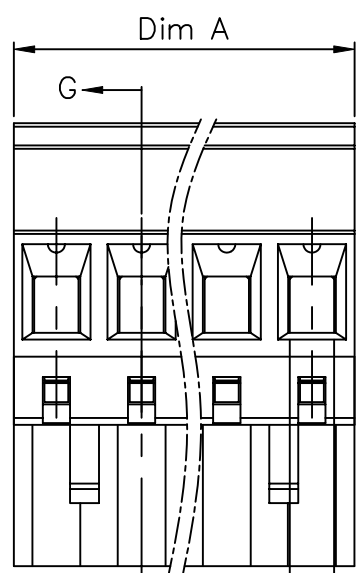
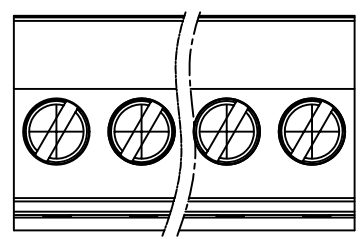
REV: 2008-04-17

FCI CONFIDENTIAL



This document is the property of and embodies CONFIDENTIAL and PROPRIETARY information of FCI. No part of the information shown on this document may be used in any way or disclosed to others without the written consent of FCI. Copyright FCI.

| | | |
|--------------------|-------------|---------|
| PRODUCT NUMBER | SERIES NAME | PITCH |
| 20020008-GXX1B01LF | 02-500 | 5.00 mm |



N = Number of poles
 Dim A = $N \times 5.0 [0.197]$
 Dim B = $(N-1) \times 5.0 [0.197]$

| TOL. | Dim A | Dim B |
|--------|--------------------|-------|
| 2-6p | $\pm 0.15 [0.006]$ | |
| 7-12p | $\pm 0.25 [0.010]$ | |
| 13-18p | $\pm 0.30 [0.012]$ | |
| 19-24p | $\pm 0.40 [0.016]$ | |

| | | | | |
|------------------|------------|---------------------------------|--------------|------------|
| Material | | Spec ref | | |
| Mat code | | ✓ | tolerance | projection |
| Heattreat | | | | MM |
| Plating/Finish | | | | ← |
| Dr BEER FU | 062509 | | size | A4 |
| Eng BEER FU | 062509 | Product family | | Scale |
| Chr GARY HSIEH | 062509 | Model Name | ECN | T10-0042 |
| Appr JOSEPH HSIA | 062509 | Model Revision | REL Level | RELEASED |
| | title | TERMINAL BLOCK | | dwg no |
| | | Pluggable plug, hook entry side | | 20020008 |
| Pro/E file | catalog no | | CUSTOMER | Rev. D |
| | | | sheet 4 of 5 | |

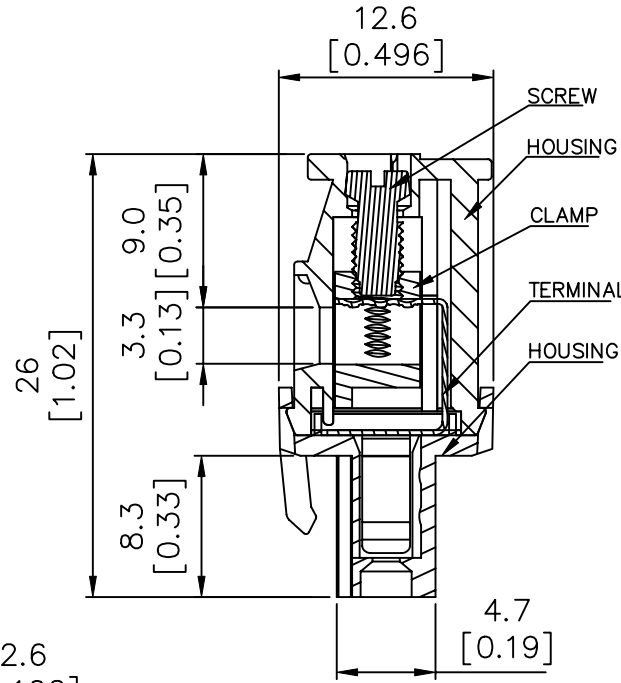
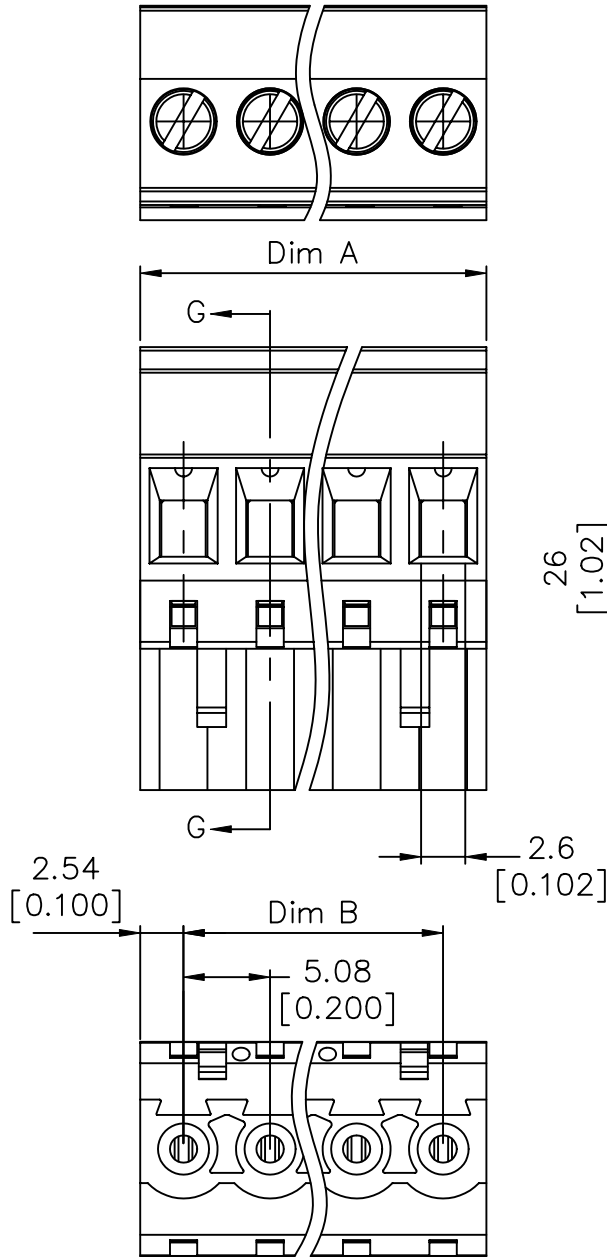
REV: 2008-04-17

FCI CONFIDENTIAL



This document is the property of and embodies CONFIDENTIAL and PROPRIETARY information of FCI. No part of the information shown on this document may be used in any way or disclosed to others without the written consent of FCI. Copyright FCI.

| | | |
|--------------------|-------------|---------|
| PRODUCT NUMBER | SERIES NAME | PITCH |
| 20020008-HXX1B01LF | 02-508 | 5.08 mm |



Section G-G

N = Number of poles
 Dim A = $N \times 5.08 [0.200]$
 Dim B = $(N-1) \times 5.08 [0.200]$

| TOL. | Dim A | Dim B |
|------|--------|--------------------|
| | 2-6p | $\pm 0.15 [0.006]$ |
| | 7-12p | $\pm 0.25 [0.010]$ |
| | 13-18p | $\pm 0.30 [0.012]$ |
| | 19-24p | $\pm 0.40 [0.016]$ |

| | | | | |
|--|--------------------|----------------|-----------|--------------------|
| Material | | Spec ref | | |
| Mat code | | ✓ | tolerance | projection |
| Heattreat | | | | MM |
| Plating/Finish | | | ⊕ | ← |
| Dr | BEER FU 062509 | | size | A4 |
| Eng | BEER FU 062509 | Product family | | Scale |
| Chr | GARY HSIEH 062509 | Model Name | | ECN T10-0042 |
| Appr | JOSEPH HSIA 062509 | Model Revision | | REL Level RELEASED |
| title TERMINAL BLOCK Pluggable plug, hook entry side | | dwg no | 20020008 | |
| Pro/E file | catalog no | CUSTOMER | | sheet 5 of 5 |

REV: 2008-04-17