

**Power Relay 430 3 mm**

- 1 pole 16 A, 1 NO contact
- Safety mains isolation
- Contact gap > 3 mm
- DC- and AC-coil
- 4 kV / 8 mm coil-contact, reinforced insulation (VDE 0700)
- PCB mounting or quick connect terminals
- Mounting brackets or snap mounting
- Version with arc blow magnet for high DC-loads
- Product in accordance to IEC60335-1



F0256-B

**Applications**

Domestic appliances, industrial appliances, industrial controls

**Approvals**

VDE REG.-Nr. C820, cULus E214024  
 Technical data of approved types on request

**Contact data**

Contact configuration	1NO
Contact set	bifurcated contact
Type of interruption	full disconnection
Rated voltage / max. switching voltage AC	250 / 400 VAC
Rated current	16 A
Maximum breaking capacity AC	4000 VA
Limiting making capacity, max 4 s, duty factor 10%	25 A
Contact material	AgCu <sub>3</sub> , AgCdO
Contact gap	> 3 mm
Rated frequency of operation with / without load	15 / 300 min <sup>-1</sup>

**Contact ratings**

Type	Contact	Load	Ambient temp. [°C]	Cycles
<b>IEC 61810</b>				
0430 .4 .. 0	NO	16 A, 250 VAC, cosφ=1	70°C	50x10 <sup>3</sup>
0430 .4 .. 1	NO	16 A, 250 VAC, cosφ=1	70°C	50x10 <sup>3</sup>

**Coil data**

Rated coil voltage range DC coil	6...110 VDC
AC coil	6...240 VAC
Operative range to IEC 61810	2

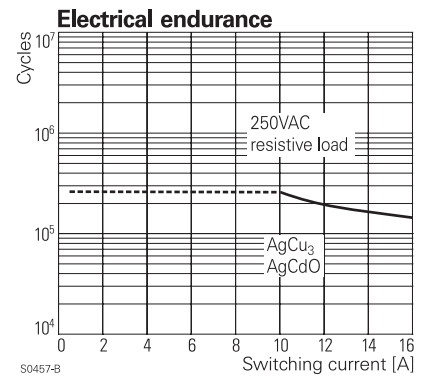
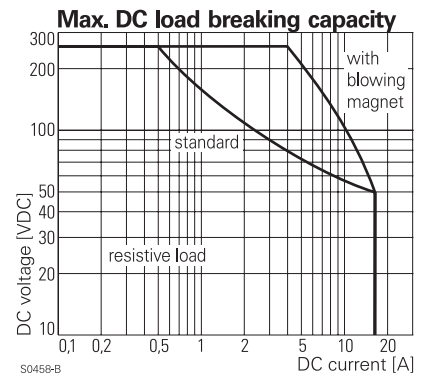
**Coil versions, DC-coil**

Coil code	Rated voltage VDC	Operate voltage VDC	Release voltage VDC	Coil resistance Ohm	Rated coil power mW
09	12	7.8	0.6	145±10%	993
10	24	15.6	1.2	580±10%	993
11	48	31.2	2.4	2200±10%	1047
13	110	71.5	5.5	13000±10%	931

**Coil versions, AC-coil 50Hz**

Coil code	Rated voltage VAC	Operate voltage VAC	Release voltage VAC	Coil resistance Ohm	Rated coil power VA
23	24	18	3.6	145±10%	1.8
25	60	45	9.0	950±10%	1.8
26	110	83	16.0	3100±10%	1.8
27	230	175	35.0	11400±10%	1.8
28	240	185	36.0	13000±10%	1.8

All figures are given for coil without preenergization, at ambient temperature +23°C  
 Other coil voltages on request



**Power Relay 430 3 mm (Continued)**

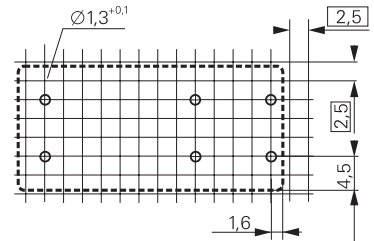
**Insulation**

Dielectric strength coil-contact circuit	4000 V <sub>rms</sub>
open contact circuit	2000 V <sub>rms</sub>
Clearance / creepage coil-contact circuit	≥ 8 / 8 mm
Material group of insulation parts	IIIa
Tracking index of relay base	PTI 250
Insulation to IEC 61810-1	
Type of insulation coil-contact circuit	reinforced
open contact circuit	full disconnection 3 mm
Rated insulation voltage	250 V
Pollution degree	3
Rated voltage system	230 / 400 V
Overvoltage category	III

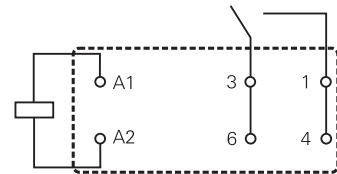
**Other data**

Mechanical endurance	> 2.5x10 <sup>5</sup> cycles
Material	
RoHS - Directive 2002/95/EC	compliant as per product date code 0349
Environment	
Ambient temperature range	-20...+70°C
Shock resistance (destruction)	100 g
Category of protection	RT I - dust protected
Processing	
Mounting	pcb, mounting brackets, snap mounting, DIN rail
Resistance to soldering heat	270°C / 10 s
Relay weight	32 g
Packaging unit	50 pcs

**PCB layout / terminal assignment**  
Bottom view on solder pins



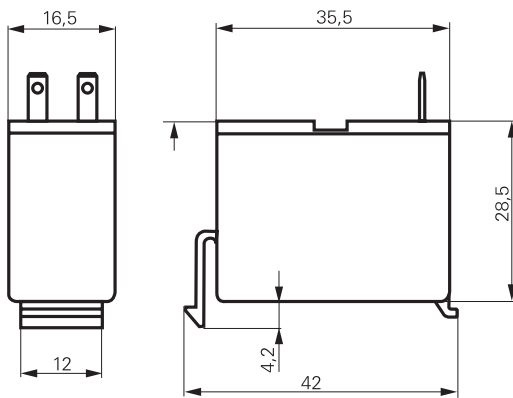
S0448-AE



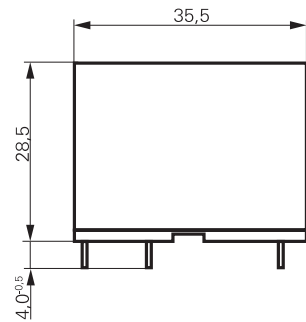
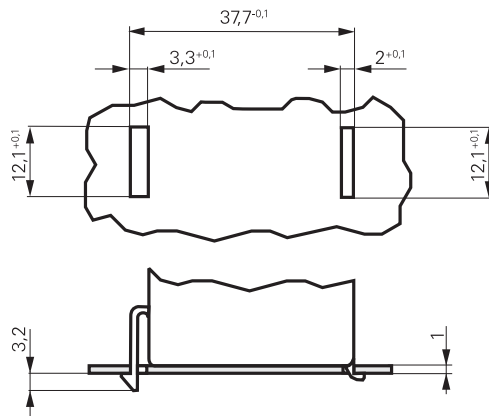
S0448-AF

**Dimensions**

Snap mounting



S0449-CH



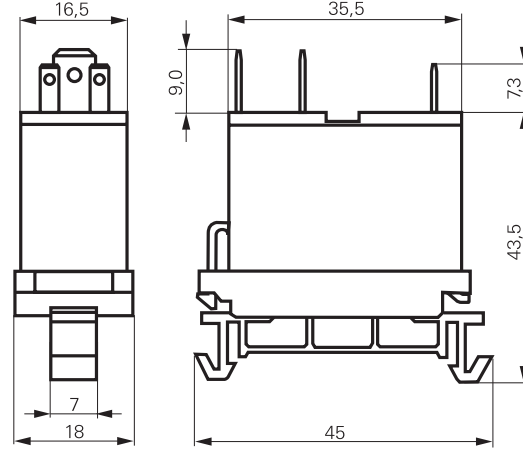
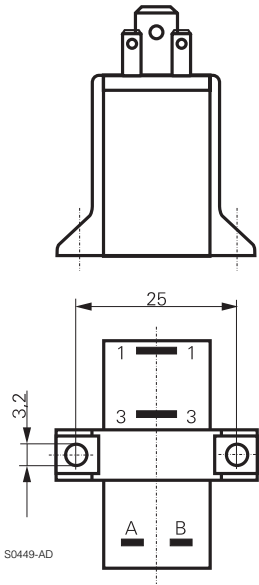
S0449-CB

**Power Relay 430 3 mm (Continued)**

**Dimensions**

Mounting brackets

DIN-rail mount



**Product key**

Typical product key

**0430 2 5 09 1 100**

**Type**

**0430** Power relay 430 3 mm

**Mounting**

**0** PCB version **2** snap mounting  
**1** mounting brackets **5** DIN-rail mounting

**Contact design**

**4** arc blowing magnet  
**5** standard

**Coil**

Coil code: please refer to coil versions table

**Contact material**

**0** AgCu 3 **1** AgCdO

**Version**

**100** standard

Other types on request

Product key	Version	Cont-material	Cont.configuration	Coil	Coil	Part number
0430 25 0911 00	snap mounting	AgCdO	1 NO contact	DC-coil	12 VDC	1-1415404-1
0430 25 1011 00	1.0mm plate				24 VDC	1-1415404-3
0430 25 2811 00				AC-coil	240 VAC	1-1415404-6