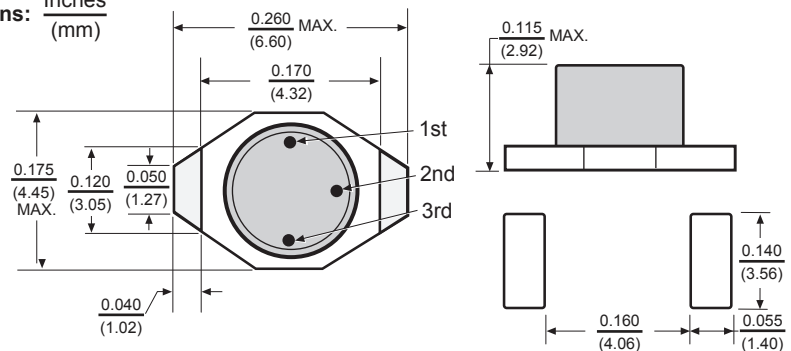




Power Chip Shielded Inductors PCIS20



Dimensions: Inches
(mm)



Allied Part Number	Inductance (μh)	Q Min.	Q Test Frequency (KHz)	DCR Max. (Ω)	SRF Reference (MHz)	Irms (A)
PCIS20-1R0M-RC	1.0	30	200	.040	200	3.0
PCIS20-1R5M-RC	1.5	30	200	.045	100	2.8
PCIS20-2R2M-RC	2.2	40	200	.050	90	1.8
PCIS20-3R3M-RC	3.3	40	200	.060	90	1.6
PCIS20-4R7M-RC	4.7	40	200	.065	80	1.4
PCIS20-6R8M-RC	6.8	40	200	.070	40	1.2
PCIS20-100M-RC	10	40	200	.075	30	1.0
PCIS20-150M-RC	15	40	100	.090	25	.80
PCIS20-220M-RC	22	40	100	0.11	20	.70
PCIS20-330M-RC	33	40	100	0.19	15	.60
PCIS20-470M-RC	47	40	100	0.23	15	.50
PCIS20-680M-RC	68	40	100	0.29	10	.40
PCIS20-101M-RC	100	40	100	0.48	8.0	.30
PCIS20-151M-RC	150	40	100	0.59	7.0	.26
PCIS20-221M-RC	220	40	100	0.77	4.0	.22
PCIS20-331M-RC	330	40	100	1.40	4.0	.20
PCIS20-471M-RC	470	40	100	1.80	3.0	.19
PCIS20-681M-RC	680	40	100	2.20	2.0	.18
PCIS20-102M-RC	1000	40	100	3.40	1.0	.15
PCIS20-152M-RC	1500	50	100	4.20	1.0	1.0
PCIS20-222M-RC	2200	50	100	8.50	1.0	1.0
PCIS20-332M-RC	3300	50	100	11.0	0.5	.08
PCIS20-472M-RC	4700	50	100	13.9	0.5	.06
PCIS20-682M-RC	6800	50	100	25.0	0.5	.04
PCIS20-822M-RC	8200	50	100	30.5	0.5	
PCIS20-103M-RC	10000	50	100	32.8	0.4	.02

Features

- Ultraminiature size for high mounting density.
- Magnetically Shielded
- Minimum power loss, can help achieve longer battery life.
- High energy storage and very low DCR.
- Designed with high heat resistant materials for reflow operation.
- Flat top for pick and place assembly.
- Wide inductance range.

Electrical

Inductance Range: 1.0μh to 10,000μh.

Tolerance: ±20% over the entire inductance range.

Test Frequency: Inductance measured at 100KHz, 0.1 Vrms. Q measured at 200KHz from 1.0μh to 10μh and 100KHz from 15μh to 10,000μh.

Operating Temp. Range: -40°C to +85°C

Inductance Drop: 10% typical at rated Isat.

Temperature Rise: ΔT=30°C rise typical at Irms.

Physical

Marking: Color Code using standard EIA three dot system.

Packaging: 2500 pieces per 13 inch reel.

All specifications subject to change without notice.