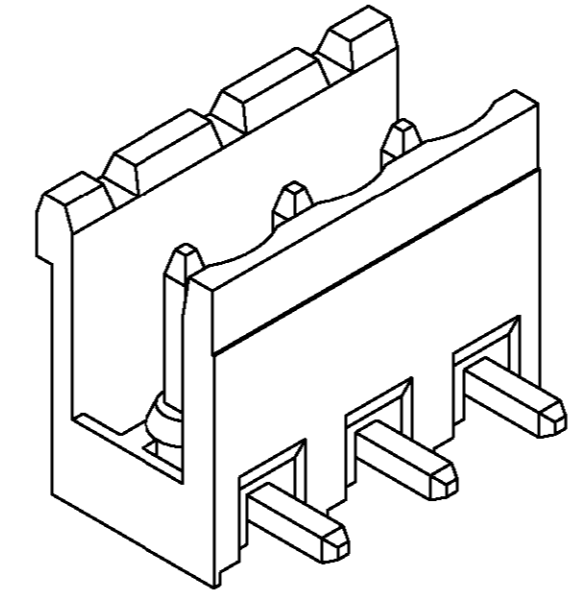
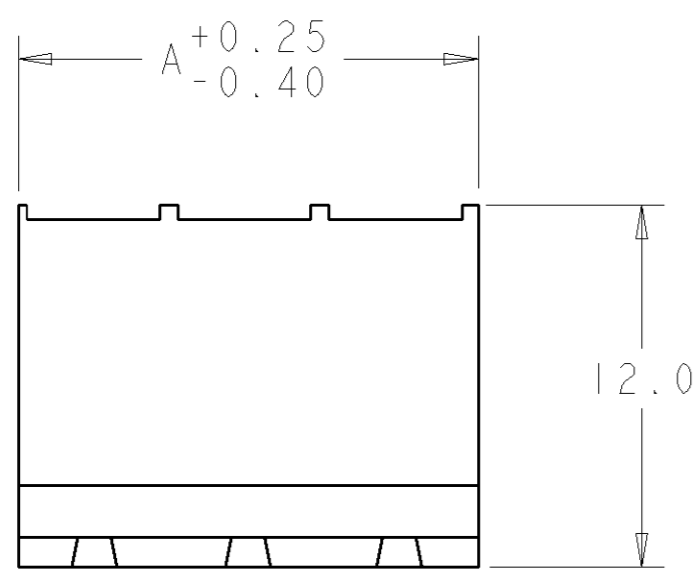


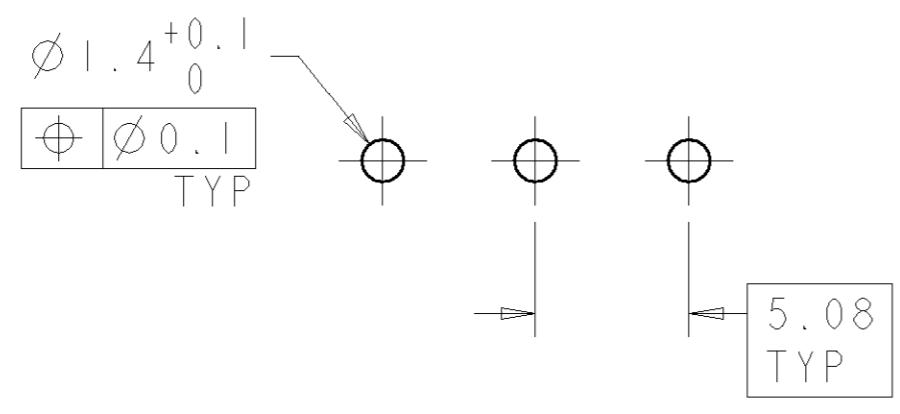
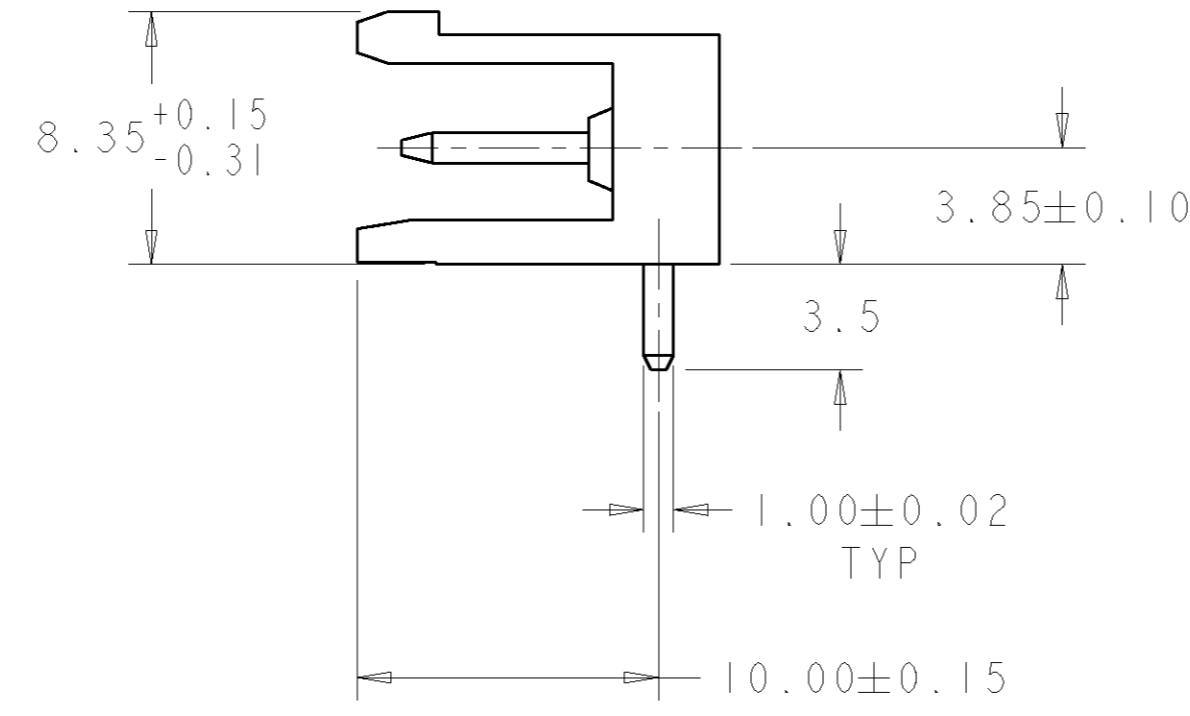
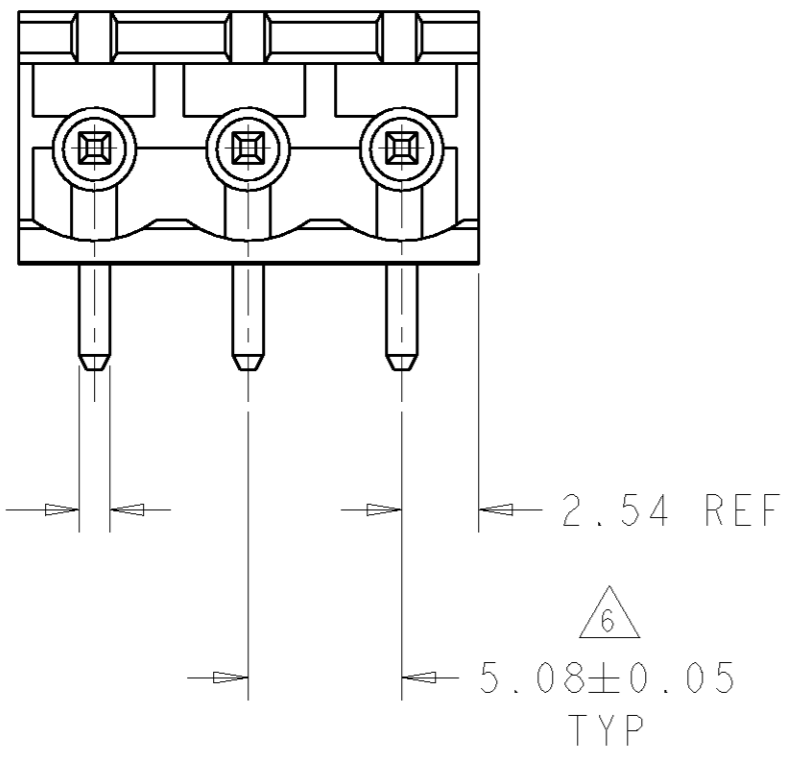
THIS DRAWING IS UNPUBLISHED. RELEASED FOR PUBLICATION 20
 © COPYRIGHT 20 BY TYCO ELECTRONICS CORPORATION. ALL RIGHTS RESERVED.

LOC	DIST	REVISIONS					
		P	LTR	DESCRIPTION	DATE	DWN	APVD
FT	0		O	PRELIMINARY	-	-	-
			A	RELEASED EC 063B-0137-04	22MAR2004	SW	CR
			B	REVISED EC 063B-0440-04	29JUN2004	SW	CR



1546518-3 AS SHOWN

- 1. MATERIALS AND FINISH
 HOUSING: PA 6-6, UL 94-V0, COLOR BLACK.
 TERMINAL: PHOSPHOR BRONZE, TIN PLATED.
- 2. SUITABLE FOR 1,6-2,4mm PC BOARD THICKNESS.
- 3. END-TO-END STACKABLE WITHOUT LOSS OF CENTERLINE SPACING.
- 4. RECOGNIZED UNDER THE COMPONENT PROGRAM OF UNDERWRITERS LABORATORIES INC. FILE N° E60677.
- 5. IMQ CERTIFICATE WITH SURVEILLANCE IN CONFORMITY WITH IEC 998-1/998-2-1.
- 6. NOT CUMULATIVE TOLERANCE.



RECOMMENDED PC BOARD LAYOUT

127.00	25	2-1546518-5
121.92	24	2-1546518-4
116.84	23	2-1546518-3
111.76	22	2-1546518-2
106.68	21	2-1546518-1
101.60	20	2-1546518-0
96.52	19	1-1546518-9
91.44	18	1-1546518-8
86.36	17	1-1546518-7
81.28	16	1-1546518-6
76.20	15	1-1546518-5
71.12	14	1-1546518-4
66.04	13	1-1546518-3
60.96	12	1-1546518-2
55.88	11	1-1546518-1
50.80	10	1-1546518-0
45.72	9	1546518-9
40.64	8	1546518-8
35.56	7	1546518-7
30.48	6	1546518-6
25.40	5	1546518-5
20.32	4	1546518-4
15.24	3	1546518-3
10.16	2	1546518-2
A	NO OF POSN	PART NUMBER

THIS DRAWING IS A CONTROLLED DOCUMENT FOR TYCO ELECTRONICS CORPORATION IT IS SUBJECT TO CHANGE AND THE CONTROLLING ENGINEERING ORGANIZATION SHOULD BE CONTACTED FOR THE LATEST REVISION.		DWN S. WELDON 07FEB2003 CHK C. RICHARD 07FEB2003 APVD C. RICHARD 07FEB2003	BUCHANAN Tyco Electronics Harrisburg, PA 17105-3608
DIMENSIONS: mm	TOLERANCES UNLESS OTHERWISE SPECIFIED: 0 PLC ±.2 1 PLC ±.25 2 PLC ±.25 3 PLC ±.25 4 PLC ±.25 ANGLES ±2 FINISH	PRODUCT SPEC 108-20166 APPLICATION SPEC 114-20079 WEIGHT -	NAME TERMINAL BLOCK HEADER ASSEMBLY 90° OPEN ENDS, STACKING 5.08mm PITCH
MATERIAL	FINISH	CUSTOMER DRAWING	SIZE A2 CAGE CODE 00779 DRAWING NO. 1546518 RESTRICTED TO - SCALE 3:1 SHEET 1 OF 1 REV B