

# Adjustable High-Precision Shunt Regulator

## FEATURES

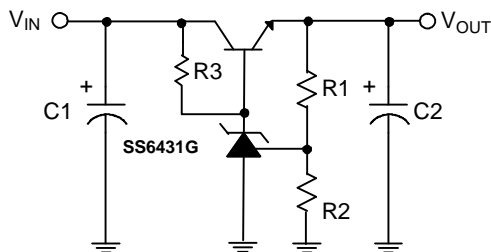
- Precision reference voltage.  
SS6431G: 2.495V  $\pm 0.5\%$
- Sink current capability of 200mA.
- Minimum cathode current for regulation of 250 $\mu$ A.
- Equivalent full-range temperature coefficient of 50 ppm/ $^{\circ}$ C.
- Fast turn-on response.
- Low dynamic output impedance of 80 milliohms.
- Adjustable output voltage.
- Low output noise.
- Space saving packages: SOT-89, SOT-23, TO-92 and SO-8.

 **Pb-free lead finish (second-level interconnect).**

## APPLICATIONS

- Linear regulators.
- Adjustable supplies.
- Switching power supplies.
- Battery operated computers.
- Instrumentation.
- Computer disk drives.

## TYPICAL APPLICATION CIRCUIT



$$V_{OUT} = (1 + R1/R2) V_{REF}$$

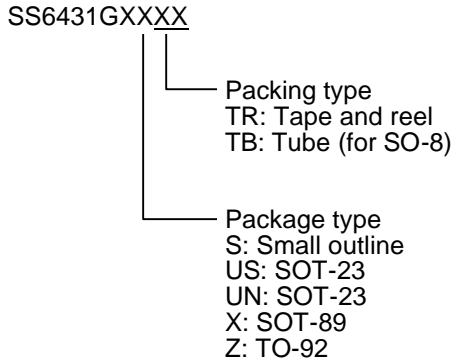
**Precision Regulator**

## DESCRIPTION

The SS6431G is a three-terminal adjustable precision shunt regulator with guaranteed temperature stability over the applicable extended commercial temperature range. The output voltage may be set at any level greater than 2.495V ( $V_{REF}$ ) up to 30V merely by selecting two external resistors that act as a voltage divider network. This device has a typical output impedance of 0.08 $\Omega$ . Active output circuitry provides a very sharp turn-on characteristic, making this device an excellent improved replacement for zener diodes in many applications.

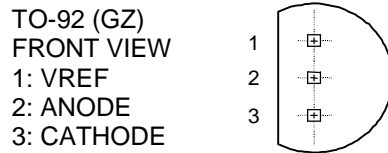
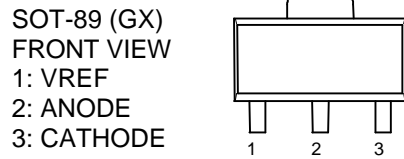
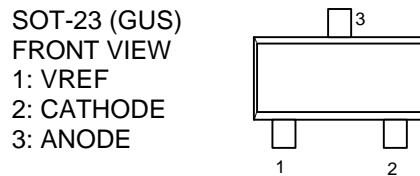
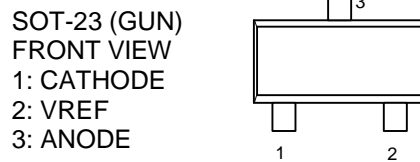
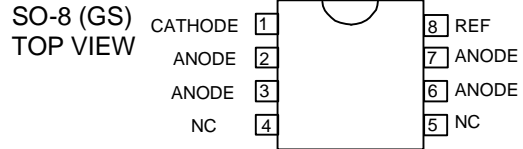
The precise  $\pm 0.5\%$  reference voltage tolerance of the SS6431G makes it possible in many applications to avoid the use of a variable resistor, consequently saving cost and eliminating the drift and reliability problems associated with it.

**ORDERING INFORMATION**



Example: SS6431GSTR  
 → in SO-8 package, with Pb-free lead finish, shipped on tape and reel.

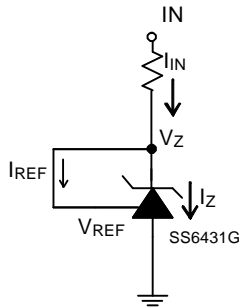
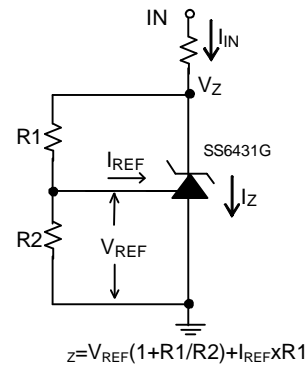
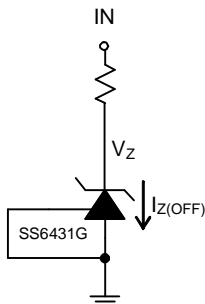
**PIN CONFIGURATION**



**ABSOLUTE MAXIMUM RATINGS**

Cathode Voltage .....	30V
Continuous Cathode Current .....	-10mA ~ 250mA
Reference Input Current Range .....	10mA
Operating Temperature Range, T <sub>A</sub> .....	-40°C ~ 85°C
Lead Temperature.....	260°C
Storage Temperature.....	-65°C ~ 150°C
Power Dissipation ( <b>Notes 1, 2</b> )	
SOT-89 Package .....	0.80W
TO-92 Package .....	0.78W

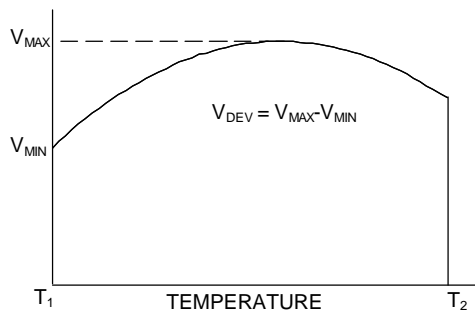
**Note 1:** T<sub>J</sub>, max = 150°C.  
**Note 2:** Ratings apply to ambient temperature at 25°C.

**TEST CIRCUITS**

**Fig. 1 Test Circuit for  $V_Z=V_{REF}$** 

**Fig. 2 Test Circuit for  $V_Z > V_{REF}$** 

**Fig. 3 Test Circuit for off-state Current**
**ELECTRICAL CHARACTERISTICS ( $T_A=25^\circ\text{C}$ , unless otherwise specified.)**

PARAMETER	TEST CONDITIONS	SYMBOL	MIN.	TYP.	MAX.	UNIT
Reference Voltage	$V_Z = V_{REF}$ , $I_{IN} = 10\text{mA}$ (Fig.1)	$V_{REF}$	2.482	2.495	2.508	V
Deviation of Reference Input Voltage Over Temperature ( <b>Note 3</b> )	$V_Z = V_{REF}$ , $I_{IN} = 10\text{mA}$ , $T_A = 0^\circ\text{C} \sim +70^\circ\text{C}$ (Fig. 1)	$V_{DEV}$		9.0	20	mV
	$T_A = -40^\circ\text{C} \sim +85^\circ\text{C}$ (Fig. 1)			9.0	50	
Ratio of the Change in Reference Voltage to the Change in Cathode voltage	$I_Z = 10\text{mA}$ (Fig. 2)	$\Delta V_Z = 10\text{V} - V_{REF}$	$\frac{\Delta V_{REF}}{\Delta V_Z}$	-0.5	-2.0	mV/V
		$\Delta V_Z = 30\text{V} - 10\text{V}$		-0.35	-1.5	mV/V

**ELECTRICAL CHARACTERISTICS (Continued)**

PARAMETER	TEST CONDITIONS	SYMBOL	MIN.	TYP.	MAX.	UNIT
Reference Input Current	R1 =10kΩ, R2=∞, I <sub>IN</sub> =10mA (Fig. 2)	I <sub>REF</sub>		0.8	3.5	μA
Deviation of Reference Input Current over Temperature	R1 =10kΩ, R2=∞, I <sub>IN</sub> =10mA T <sub>A</sub> =-40°C ~ +85°C (Fig. 2)	αI <sub>REF</sub>		0.3	1.2	μA
Minimum Cathode current for Regulation	V <sub>Z</sub> =V <sub>REF</sub> (Fig. 1)	I <sub>Z(MIN)</sub>		0.25	0.5	mA
Off-State Current	V <sub>Z</sub> =20V, V <sub>REF</sub> =0V (Fig. 3)	I <sub>Z(OFF)</sub>		0.1	1.0	μA
Dynamic Output Impedance <b>(Note 4)</b>	V <sub>Z</sub> =V <sub>REF</sub> F<1kHz (Fig. 1)	R <sub>Z</sub>		0.08	0.3	Ω



**Note 3.** Deviation of reference input voltage, V<sub>DEV</sub>, is defined as the maximum variation of the reference input voltage over the full temperature range.

The average temperature coefficient of the reference input voltage, αV<sub>REF</sub> is defined as:

$$\Delta V_{REF} \frac{\text{ppm}}{^{\circ}\text{C}} = \frac{\pm \left[ \frac{V_{MAX} - V_{MIN}}{V_{REF}(\text{at } 25^{\circ}\text{C})} \right] 10^6}{T_2 - T_1} = \frac{\pm \left[ \frac{V_{DEV}}{V_{REF}(\text{at } 25^{\circ}\text{C})} \right] 10^6}{T_2 - T_1}$$

Where:

T<sub>2</sub>-T<sub>1</sub>=full temperature change.

αV<sub>REF</sub> can be positive or negative depending on whether the slope is positive or negative.

Example: V<sub>DEV</sub>= 9.0mV, V<sub>REF</sub>= 2495mV,  
T<sub>2</sub>-T<sub>1</sub>= 70°C, slope is negative.

$$aV_{REF} = \frac{\left[ \frac{9.0\text{mV}}{2495\text{mV}} \right] 10^6}{70^{\circ}\text{C}} = -50\text{ppm}/^{\circ}\text{C}$$

**Note 4.** The dynamic output impedance, R<sub>Z</sub>, is defined as:

$$R_Z = \frac{\Delta V_Z}{\Delta I_Z}$$

When the device is programmed with two external resistors, R1 and R2, (see Fig. 2), the dynamic output impedance of the overall circuit, is defined as:

$$r_Z = \frac{\Delta V}{\Delta I} \cong R_Z \left[ 1 + \frac{R_1}{R_2} \right]$$

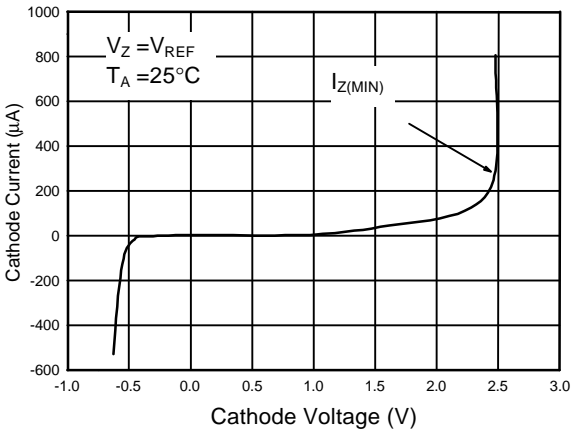
**TYPICAL PERFORMANCE CHARACTERISTICS**


Fig. 4 Cathode Current vs. Cathode Voltage

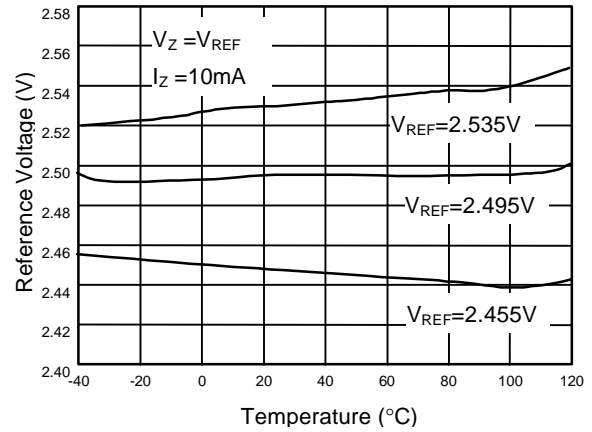


Fig. 5 Reference Voltage vs. Temperature

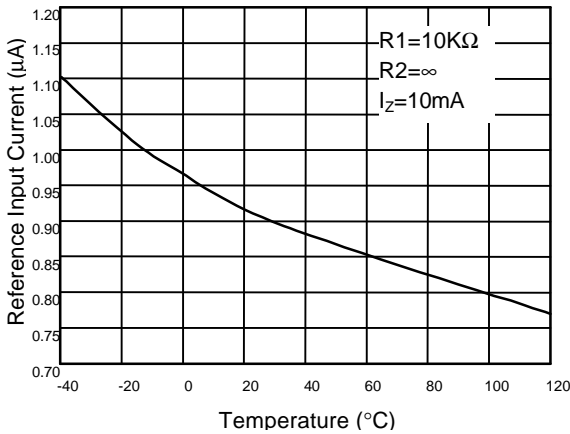


Fig. 6 Reference Input Current vs. Temperature

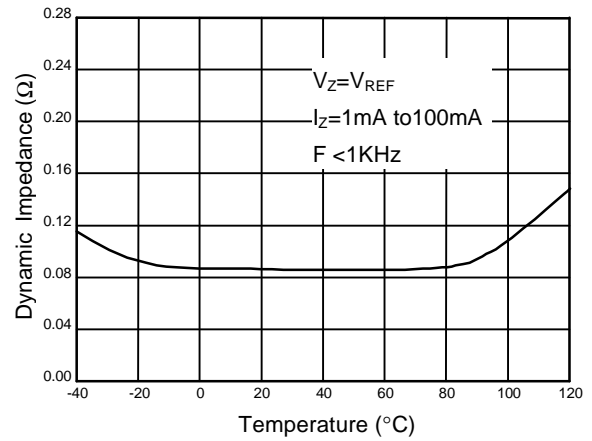


Fig. 7 Dynamic Impedance vs. Temperature

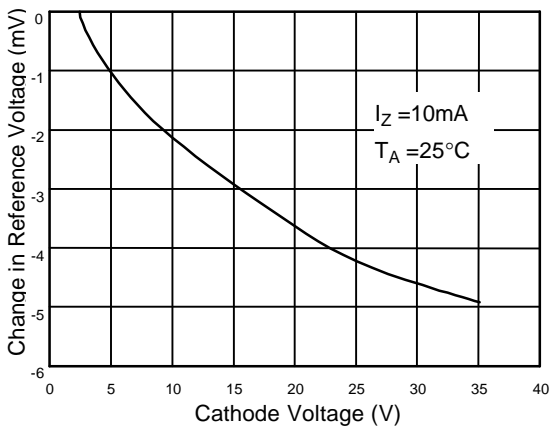


Fig. 8 Change in Reference Voltage vs. Cathode Voltage

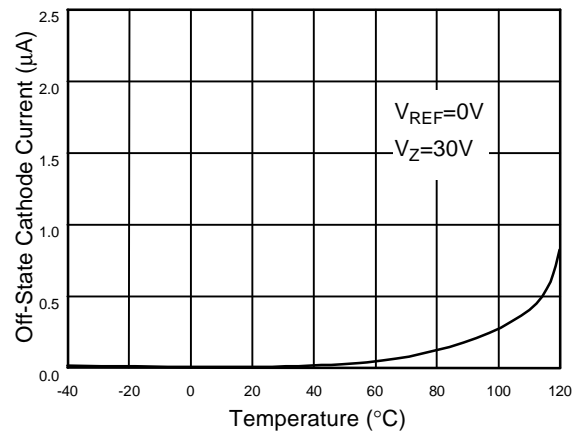


Fig. 9 Off-State Cathode Current vs. Temperature

**TYPICAL PERFORMANCE CHARACTERISTICS (Continued)**

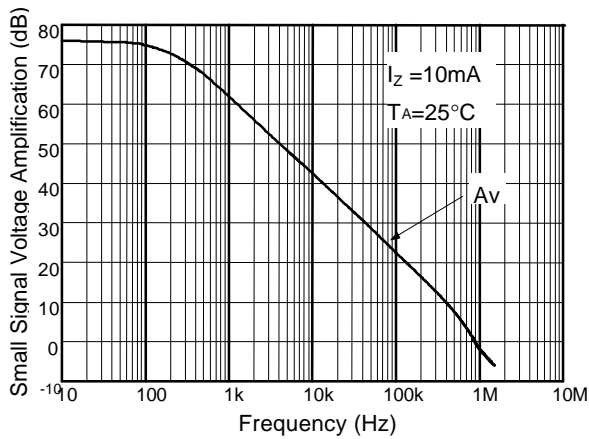


Fig. 10 Small Signal Voltage Amplification vs. Frequency

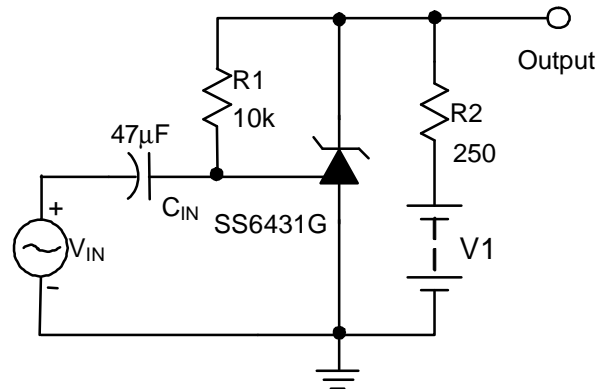


Fig. 11 Test Circuit For Frequency Response

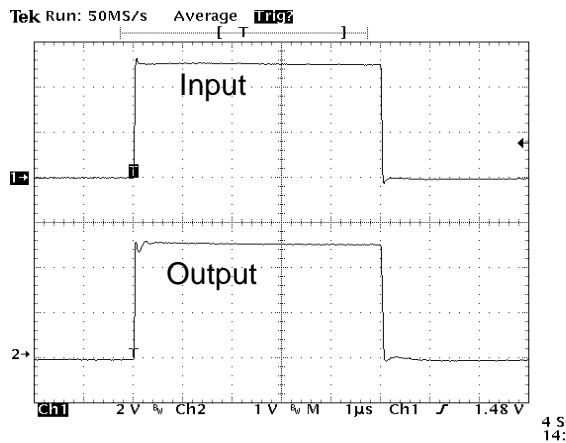


Fig. 12 Pulse Response

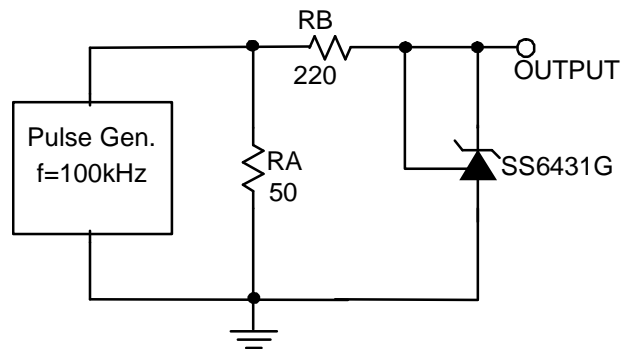


Fig. 13 Test Circuit For Pulse Response

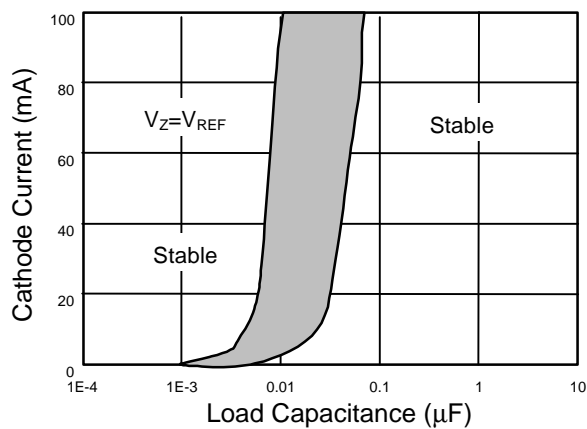


Fig. 14 Stability Boundary Conditions

The areas between the curves represent conditions that may cause the device to oscillate.

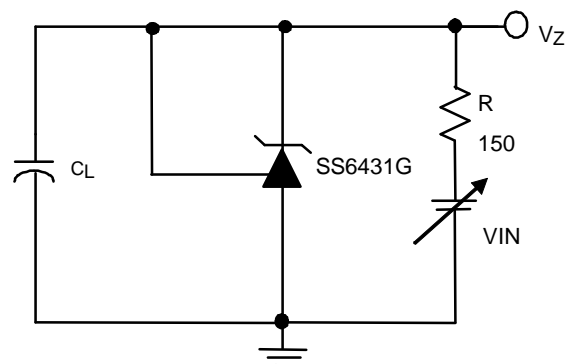


Fig. 15 Test Circuit for Stability Boundary Conditions

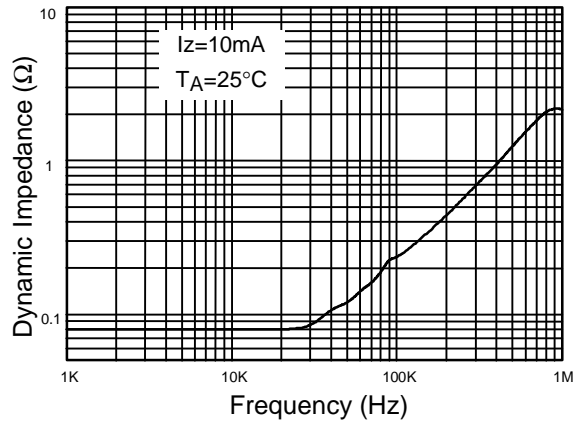
**TYPICAL PERFORMANCE CHARACTERISTICS (Continued)**


Fig. 16 Dynamic impedance vs. Frequency

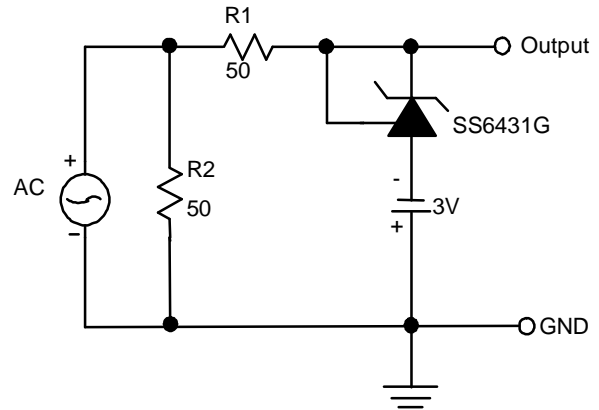
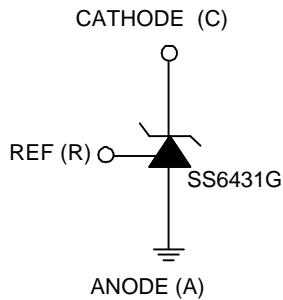
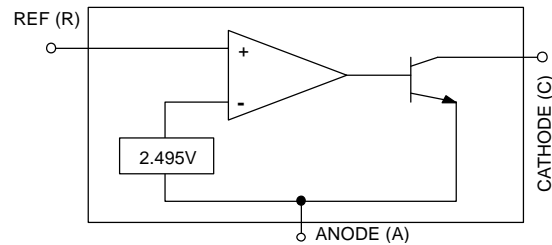
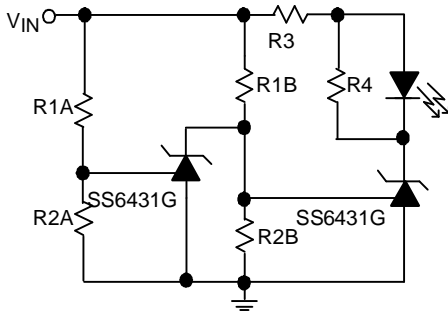


Fig. 17 Test Circuit for Dynamic Impedance

**SYMBOL**

**BLOCK DIAGRAM**

**PIN DESCRIPTIONS**

- CATHODE Pin - Sinks current with a range from 250μA to 200mA for normal applications.
- VREF Pin - Providing  $V_{REF}=2.495V$  (typ.) for adjustable output voltage.
- ANODE Pin - Anode pin sources current for normal application. The current value is the same as Cathode pin.

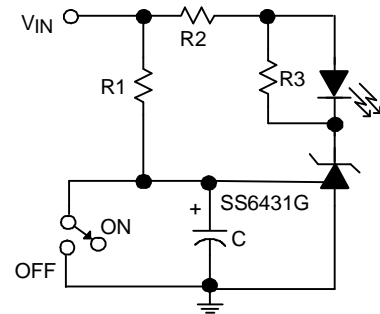
**APPLICATION EXAMPLES**


LED Turns on when  $Low\ Limit < V_{IN} < High\ Limit$

$$Low\ Limit \cong V_{REF} (1 + R1B/R2B)$$

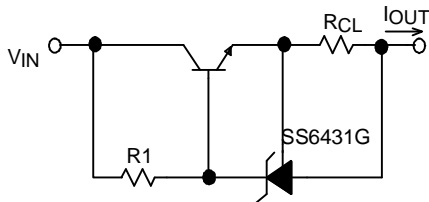
$$High\ Limit \cong V_{REF} (1 + R1A/R2A)$$

Fig. 18 Voltage Monitor



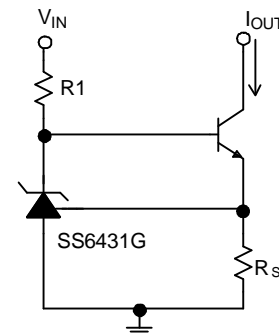
$$Delay = R \times C \times \ln \left( \frac{V_{IN}}{V_{IN} - V_{REF}} \right)$$

Fig. 19 Delay Timer



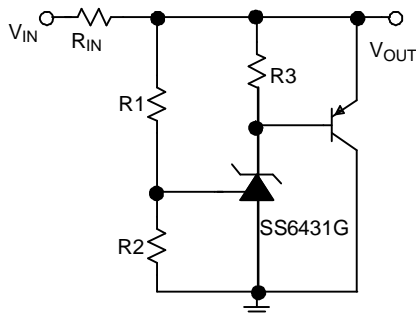
$$I_{OUT} = V_{REF} / R_{CL}$$

Fig. 20 Current Limiter or Current Source



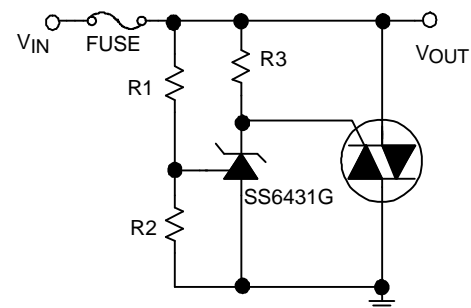
$$I_{OUT} = V_{REF} / R_S$$

Fig. 21 Constant-Current Sink



$$V_{OUT} \cong (1 + R1/R2) \times V_{REF}$$

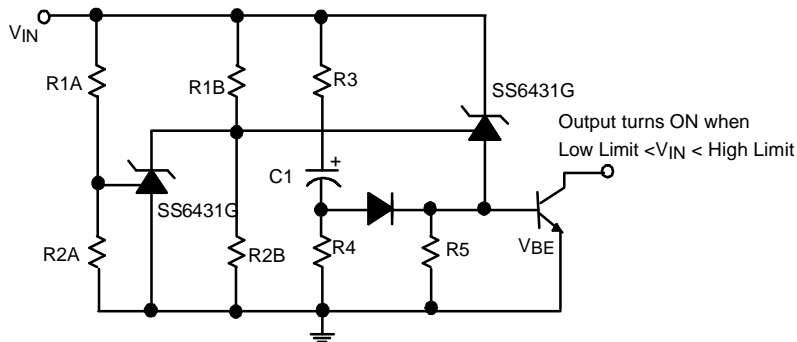
Fig 22 Higher-Current Shunt Regulator



$$V_{LIMIT} \cong (1 + R1/R2) \times V_{REF}$$

Fig 23 Crow Bar



**APPLICATION EXAMPLES (Continued)**


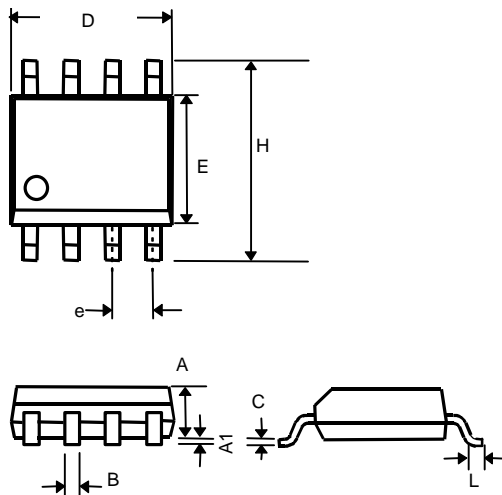
$$\text{Low Limit} \cong V_{REF} ( 1 + R1B / R2B ) + V_{BE}$$

$$\text{High Limit} \cong V_{REF} ( 1 + R1A / R2A )$$

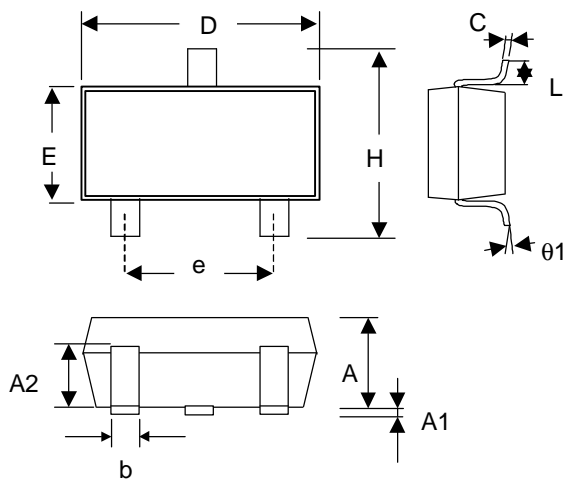
Fig 24 Over-Voltage/Under-Voltage Protection Circuit

**PHYSICAL DIMENSIONS**

This device is shipped with Pb-free lead finish (second-level interconnect).

**8 LEAD PLASTIC SO (unit: mm)**


SYMBOL	MIN	MAX
A	1.35	1.75
A1	0.10	0.25
B	0.33	0.51
C	0.19	0.25
D	4.80	5.00
E	3.80	4.00
e	1.27(TYP)	
H	5.80	6.20
L	0.40	1.27

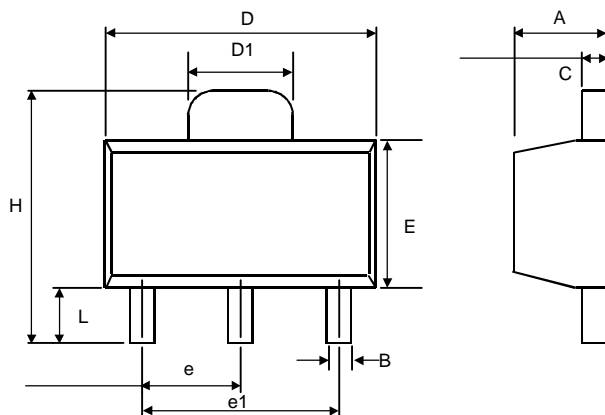
**SOT-23 (unit: mm)**


SYMBOL	MIN	MAX
A	1.00	1.30
A1	—	0.10
A2	0.70	0.90
b	0.35	0.50
C	0.10	0.25
D	2.70	3.10
E	1.40	1.80
e	1.90 (TYP)	
H	2.60	3.00
L	0.37	—
.1	1°	9°

**SOT-23 MARKING**

Part No.	Marking
SS6431GUN	AC1NP

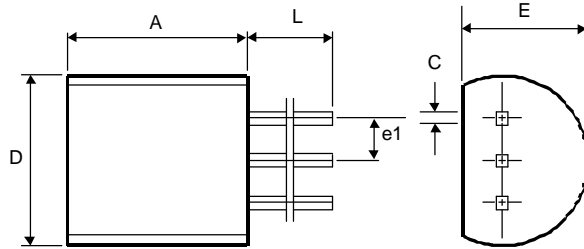
Part No.	Marking
SS6431GUS	AC1SP

**SOT-89 (unit: mm)**


SYMBOL	MIN	MAX
A	1.40	1.60
B	0.36	0.48
C	0.35	0.44
D	4.40	4.60
D1	1.62	1.83
E	2.29	2.60
e	1.50 (TYP.)	
e1	3.00 (TYP.)	
H	3.94	4.25
L	0.89	1.20

**SOT-89 MARKING**

Part No.	Marking
SS6431GX	AC1BP

**TO-92 (unit: mm)**


SYMBOL	MIN	MAX
A	4.32	5.33
C	0.38 (TYP.)	
D	4.40	5.20
E	3.17	4.20
e1	1.27 (TYP.)	
L	12.7	-

Information furnished by Silicon Standard Corporation is believed to be accurate and reliable. However, Silicon Standard Corporation makes no guarantee or warranty, express or implied, as to the reliability, accuracy, timeliness or completeness of such information and assumes no responsibility for its use, or for infringement of any patent or other intellectual property rights of third parties that may result from its use. Silicon Standard reserves the right to make changes as it deems necessary to any products described herein for any reason, including without limitation enhancement in reliability, functionality or design. No license is granted, whether expressly or by implication, in relation to the use of any products described herein or to the use of any information provided herein, under any patent or other intellectual property rights of Silicon Standard Corporation or any third parties.