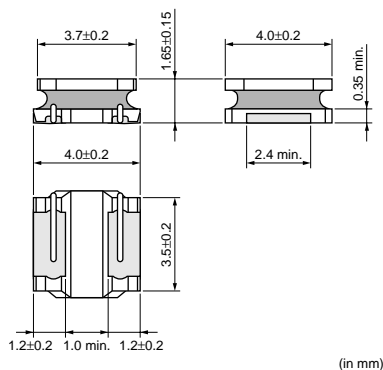


Chip Inductors (Chip Coils) for DC-DC Converter Wire Wound Type

LQH44P Series (1515 Size)

■ Dimensions



■ Packaging

Code	Packaging	Minimum Quantity
L	180mm Embossed Tape	1000
K	330mm Embossed Tape	3500

■ Rated Value (□: packaging code)

Part Number	Inductance	Inductance Test Frequency	Allowable DC Current (Based on Temperature Rise)	Allowable DC Current (Based on Inductance Change)	DC Resistance	Self Resonance Frequency (min.)	Class of Magnetic Shield
LQH44PN1R0NP0□	1.0μH±30%	1MHz	2450mA	2950mA	0.030ohm±20%	90MHz	Magnetic shield of magnetic powder in resin
LQH44PN2R2MP0□	2.2μH±20%	1MHz	1800mA	2500mA	0.049ohm±20%	70MHz	Magnetic shield of magnetic powder in resin
LQH44PN3R3MP0□	3.3μH±20%	1MHz	1770mA	2100mA	0.065ohm±20%	50MHz	Magnetic shield of magnetic powder in resin
LQH44PN4R7MP0□	4.7μH±20%	1MHz	1700mA	1700mA	0.080ohm±20%	40MHz	Magnetic shield of magnetic powder in resin
LQH44PN6R8MP0□	6.8μH±20%	1MHz	1340mA	1400mA	0.12ohm±20%	35MHz	Magnetic shield of magnetic powder in resin
LQH44PN100MP0□	10μH±20%	1MHz	1170mA	1150mA	0.16ohm±20%	25MHz	Magnetic shield of magnetic powder in resin
LQH44PN220MP0□	22μH±20%	1MHz	790mA	800mA	0.37ohm±20%	17MHz	Magnetic shield of magnetic powder in resin

Operating Temperature Range: -40°C to +85°C

Only for reflow soldering.

■ Notice (Allowable DC Current)

<Allowable DC Current>

When Allowable DC Current is applied to the Products, self-generation of heat will rise to 40°C or less.

When Allowable DC Current is applied to the Products, Inductance will be within +-30% of nominal Inductance value.

Continued on the following page.

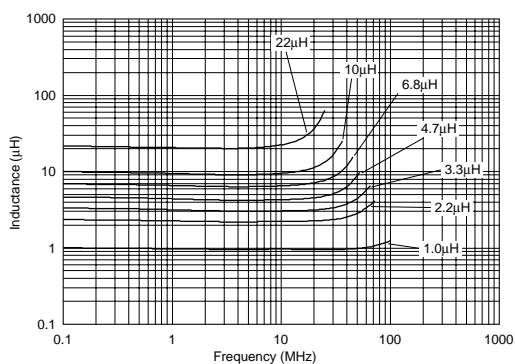
● This data sheet is applied for CHIP INDUCTORS (CHIP COILS) used for General Electronics equipment for your design.

⚠ Note:

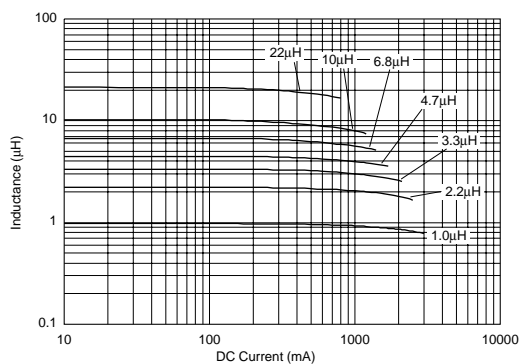
1. This datasheet is downloaded from the website of Murata Manufacturing co., Ltd. Therefore, it's specifications are subject to change or our products in it may be discontinued without advance notice. Please check with our sales representatives or product engineers before ordering.
2. This datasheet has only typical specifications because there is no space for detailed specifications. Therefore, please approve our product specifications or transact the approval sheet for product specifications before ordering.

Continued from the preceding page.

Inductance - Frequency Characteristics (Typ.)



Inductance - Current Characteristics (Typ.)



Caution/Notice

Caution (Rating)

Do not use products beyond the rated current as this may create excessive heat.

Notice

Solderability of Tin plating termination chip might be deteriorated when low temperature soldering profile where peak solder temperature is below the Tin melting point is used. Please confirm the solderability of Tin plating termination chip before use.

● This data sheet is applied for CHIP INDUCTORS (CHIP COILS) used for General Electronics equipment for your design.

Note:

1. This datasheet is downloaded from the website of Murata Manufacturing co., Ltd. Therefore, it's specifications are subject to change or our products in it may be discontinued without advance notice. Please check with our sales representatives or product engineers before ordering.
2. This datasheet has only typical specifications because there is no space for detailed specifications. Therefore, please approve our product specifications or transact the approval sheet for product specifications before ordering.