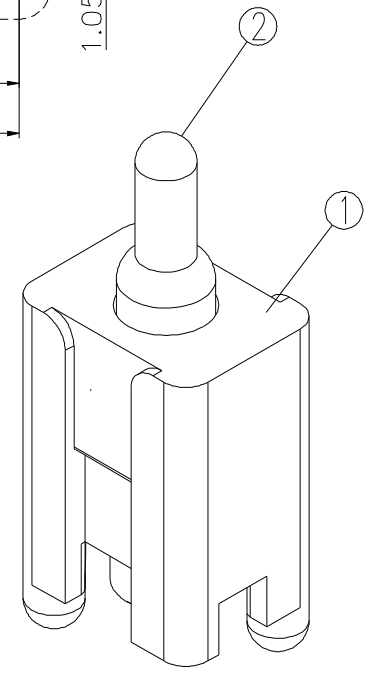
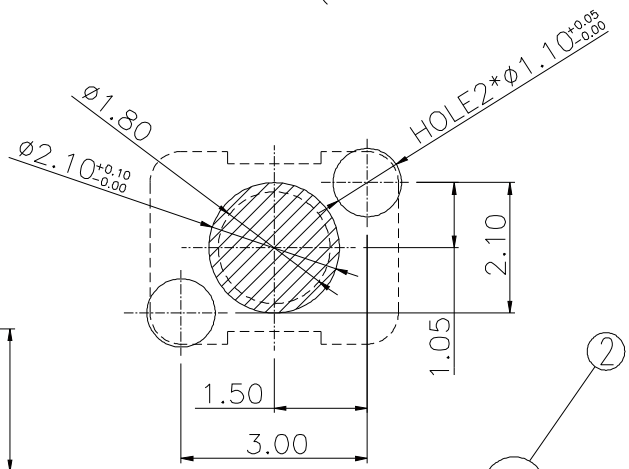
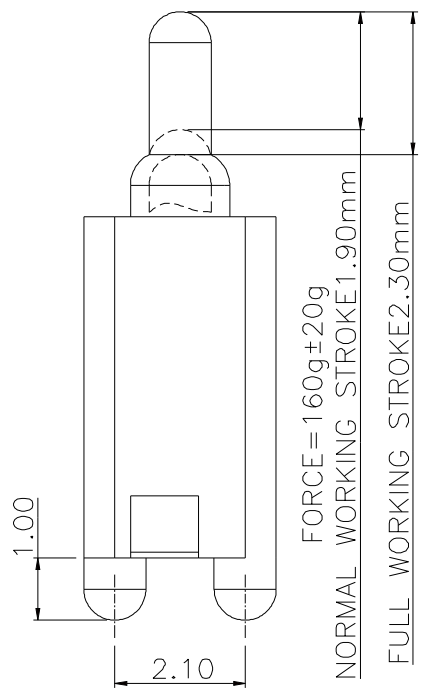
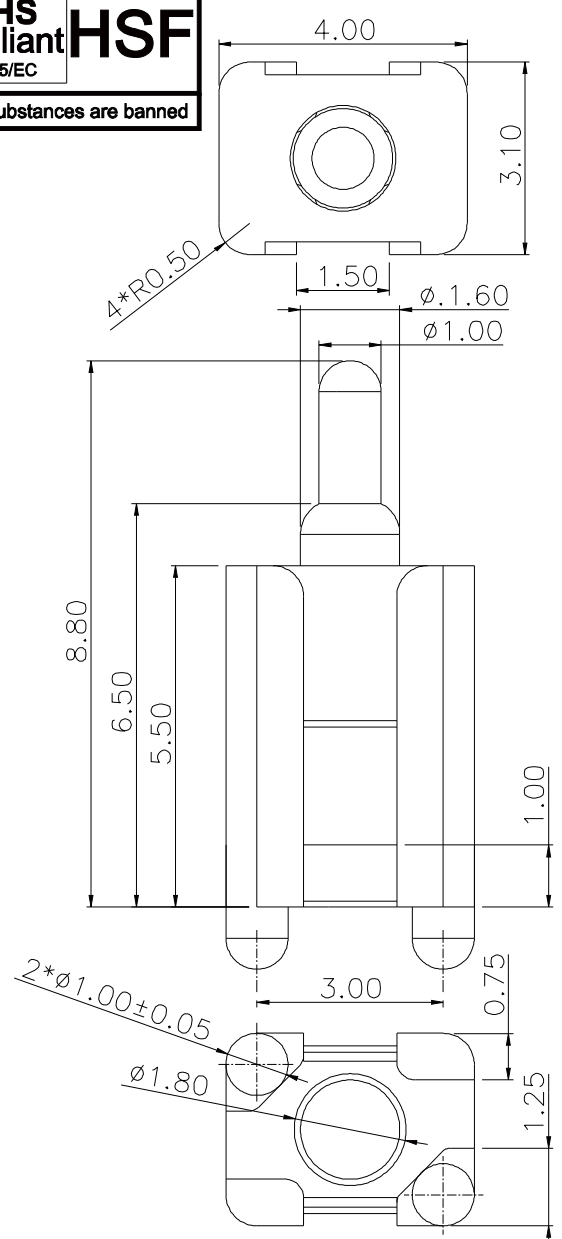



RoHS Compliant
 2002/95/EC
HSF
 Level-1 Controlled Substances are banned

RECOMMENDED P.C.B LAYOUT (COMPONENT SIDE)



3				
2	TERMINAL	COPPER ALLOY		COLD/TIN PLATED
1	PLASTICS	HIGH TEMP PLASTICS	BLACK	UL 94V-0
	NO. DESCRIPTION	MATERIAL	COLOR	REMARK

SUYIN
CONNECTOR

					Angle	$\pm 2^\circ$	DRAW	童彦淇	08'/06/26
					30 ~	± 0.50	DESIGN	童彦淇	08'/06/26
	0		NEW RELEASE	童彦淇 蔡志鴻	10 ~ 30	± 0.30	CHECK	鄧高云	08'/06/26
	PO	07'/10/31	NEW	童彦淇 蔡志鴻	~ 10	± 0.15	APPRO.	蔡志鴻	08'/06/26
ECN(DCN) NO.	REV	DATE	DESCRIPTION	CHANGE	APPRO.	GENERAL TOLERANCE UNLESS OTHERWISE NOTED	APPRO.	蔡志鴻	08'/06/26

CUSTOMER COPY	TITLE:	POGO PIN CONNECTOR		
	PART NO.	060026MA001G103ZR		
	PRODUCT SPEC.	060026MAXXXXX03XX		
FILE NAME.	DIR	060026MA001G103ZR-C		
SCALE	8:1	UNIT:mm	A4	SHEET: 1 of 2