

# POI-1501

Residential Terminal



## Features

- Fanless, high performance platform with Intel® Celeron® M 600 MHz and a Windows XPE Embedded kernel
- Superior 15" high quality LCD display with touchscreen
- Four programmable function keys for hot key or quick apps launch
- Rich multimedia capability for pleasant user interaction
- Comprehensive I/O connectivity options - Dual Ethernet, RS-485, RS-232, USB 2.0, etc
- Video in/ out for surveillance & TV connection
- Advantech SUSI API manager is supported for easy SI development



## Introduction

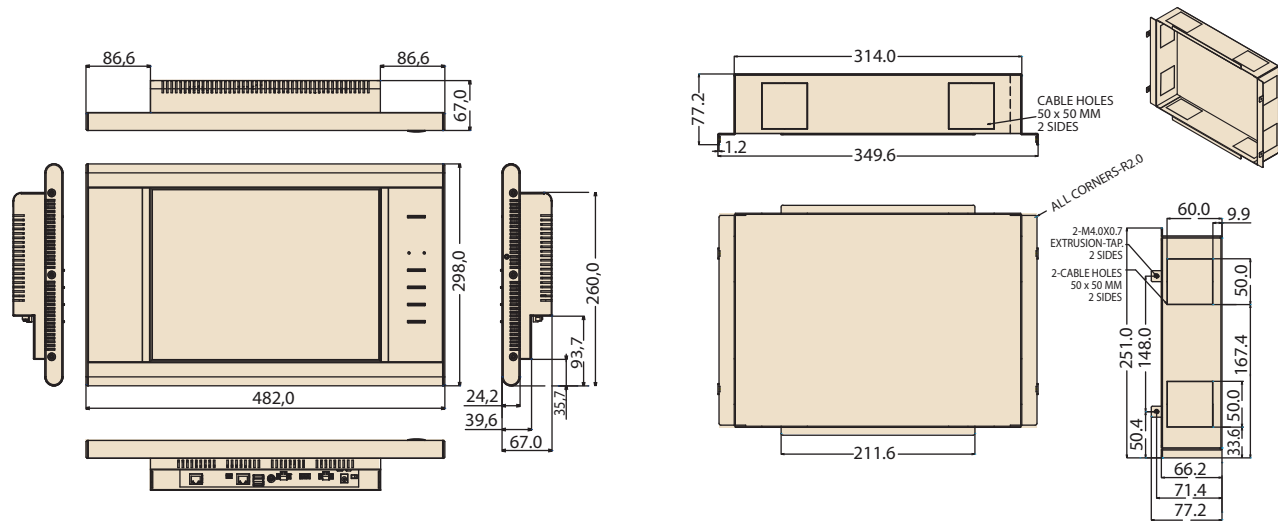
The POI-1501, a 15" multi-function intelligence terminal with touch panel, four hot keys, built-in handset and 1.3 megapixel CMOS camera is a standard Advantech product which targets the home residential and healthcare market. Built-in Intel Celeron M 600 MHz processor and Microsoft Windows XPE embedded software provide great performance with variety of customization features for control. Comprehensive I/O interface, including RJ-45, USB, RS-232, and RS-485 provide greater flexibility to system integrators, shortening their installation schedule. Two LAN ports offer more stability and protect the system from intrusion by allowing for separate connections between the internet and an intranet. The POI-1501 is available in silver or black.

## Specifications

Hardware	CPU	Intel Celeron M 600 MHz W/ 512 K cache
	Memory	512 MB
	HDD	80 GB
	PCI Slot	1 x mini PCI
	Network (LAN)	2 x 10/100 Mbps Ethernet (RJ-45)
	Hot Keys	4 x GPIOs (reserved for SI)
	Built-in Camera	1.3 megapixel CMOS camera
	LED Indicator	1 x power indicator
Display	Size	15" color TFT-LCD (1024 x 768)
	Resolution	1024 x 768
	Pixel Pitch	0.297 x 0.297
	Contrast Ratio	400 : 1
	Luminance (cd/m <sup>2</sup> )	350 cd/m <sup>2</sup>
Touch Screen	Type	Resistive
	Light Transmission	> 80%
	Controller	USB interface
	Durability	10 million touches
Audio	Speaker	1W
	Microphone	1
I/O Ports	USB Port	2 x USB 2.0
	RS-232	1
	RS-485	1
	Video-in	1
	Video-out	1
Software	Operating System	Embedded XP
Mechanical	Mounting Type	Wall mounting
	Material Type	Metal feeling
	Customization	Logo/button printing
	Dimensions (W x H x D)	350 x 490 x 60 mm (13.78" x 19.29" x 2.36")
	Weight	5.0 kg (11 lbs.)
Power	Power Consumption	< 48 W
	AC/DC Adapter	1
	Input Voltage	100 ~ 240 V <sub>AC</sub>
	Output Voltage	19 VDC
Environment	Operating Temperature	0 ~ 40° C
	Certifications	FCC / CE Class B, CCC

## Dimensions

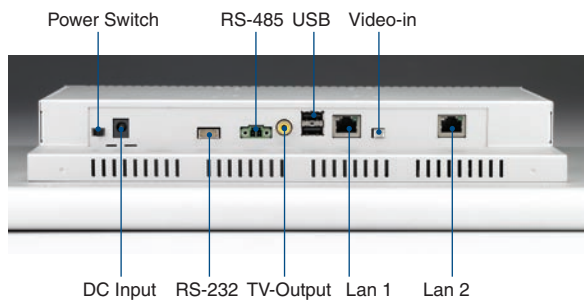
Unit: mm (inch)



## Applications

- Home Automation
- Hospital Bed-side
- Advertising Distribution Center
- Home Security
- Home Healthcare

## I/O Placement



## Ordering Information

Part Number	Description
POI-1501-GPC1E	15" LCD, Celeron M 600 MHz, 512 MB SDRAM, 80G HDD
1960014838N000	Wall-box for POI-1501

## Packing List

Description	Quantity
CD Utility	1
AC/DC Power Adapter	1
User Manual	1