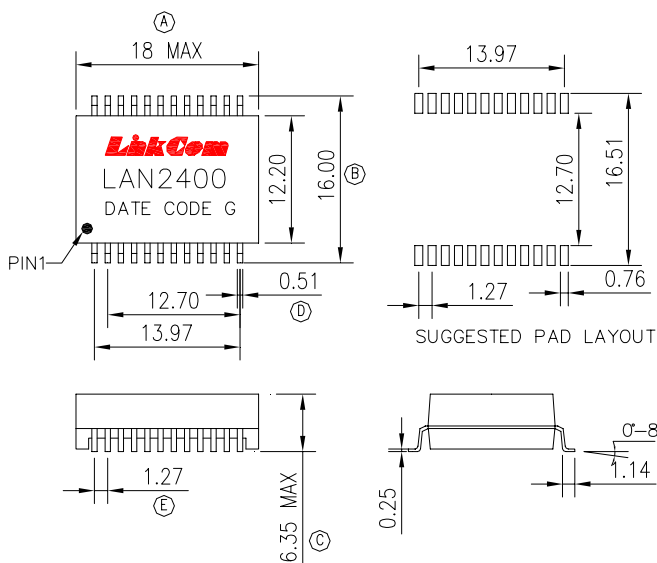


10/100BASE-Tx Power over Ethernet (PoE) Magnetics Module

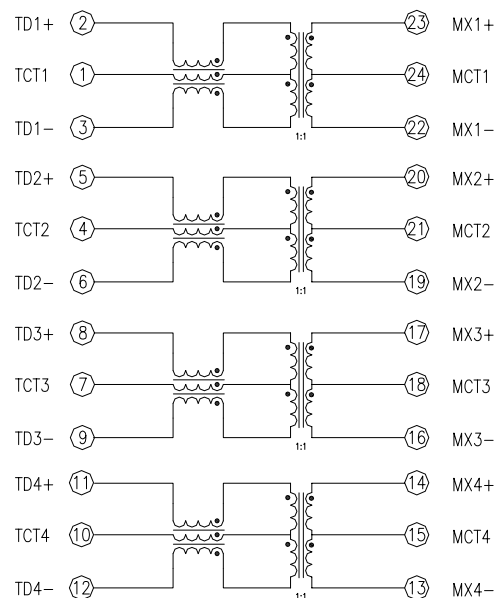
- Meets IEEE 802.3 standard
- RoHS Compliant
- Single port configuration
- Designed for IP phone or switch applications
- Operating Temperature: 0 ~70

Electrical Specification @25					
OCL:	350uH Min. @100KHz/0.1V with 8mA DC Bias				
Hi-POT :	1500Vrms				
Turn Ratio:	1:1±3%				
D.C.R:	0.9 ohm Max.				
Insertion Loss	0.1-100MHz -1.0dB Max.				
Return Loss	1-30MHz	40MHz	50MHz	60-80MHz	100MHz
	-18dB Min.	-14.4dB Min.	-13.1dB Min.	-12dB Min.	-10dB Min.
D.C.M.R	30MHz		60MHz		100MHz
	-43dB Min.		-37dB Min.		-33dB Min.
Cross Talk	30MHz		60MHz		100MHz
	-45dB Min.		-40dB Min.		-35dB Min.

Dimensions



Schematic



Units: mm
 Unless otherwise specified, all tolerances are ±0.25