

DC-AC INVERTER UNIT

PS-DA0201-170-B(S) (10 W DUAL OUTPUTS)

(PRELIMINARY INFORMATION)

DESCRIPTION :

This low profile DC to AC Inverter is developed for dual lamps.
 Optimized for Sharp: LQ150X1LG71_TL_LD-19251C 20070220
 LQ150X1LG81_TL_LD-19356A 20070319

APPLICABLE LCD:

6.4 to 15 inches double lamp type
 Lamp Voltage 675 Vrms
 Lamp Current 2 x 6.5 mArms
 Lamp Start Up Voltage 1.680 Vrms (Vin : 12 Vdc)



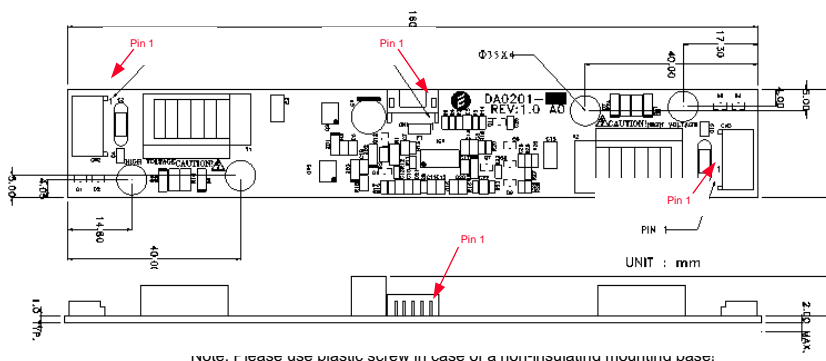
FEATURES :

Remote ON/OFF
 Open Lamp Detection
 RoHS compliant (S)

TEMPERATURE & HUMIDITY :

Operating Temperature Range 0°C ~ +60°C
 Storage Temperature Range -40°C ~ +85°C
 Humidity 95 %RH max

DIMENSIONS : L x W x H 160 x 25 x 12 mm



Unit : mm
 Weight :24,2 (g) typ.

Components

No.	Part Description	Qty.	Material	Note
1	PCB	1	UL94V-0 (FR-4 or CEM-3)	t=1mm
2	Connector CN1	1	S5B-PH-K	JST or equal
3	Connector CN2 + CN3	2	SM02(8.0)B-BHS-1-TB	JST or equal

Input side CN1:

Pin No.	Symbols	Ratings
CN 1-1	Vin	10.8 ~ 13.2 Vdc
CN 1-2	GND	-
CN 1-3	Vrmt	0 ~ 0.4 = OFF / 2.5 ~ Vin = ON
CN 1-4	Vbr	0 ~ 2.5 Vdc
CN 1-5	N.C.	-

Output side CN2:

Pin No.	Symbols	Ratings
CN 2-1	Vhigh	675 Vrms (6.5 mArms)
CN 2-2	Vlow	(GND)

Output side CN3:

Pin No.	Symbols	Ratings
CN 3-1	Vhigh	675 Vrms (6.5 mArms)
CN 3-2	Vlow	(GND)

Power Systems – The Power Solution

Web: www.Power-Systems.de
 Email: Info@Power-Systems.de

Address: Hauptstr. 48 ; 74360 Ilfeld-Auenstein / Germany
 Tel. : + 49 / 70 62 / 67 59 - 6
 Fax: + 49 / 70 62 / 67 59 - 800

DC-AC INVERTER UNIT

PS-DA0201-170-B(S) (10 W DUAL OUTPUTS)

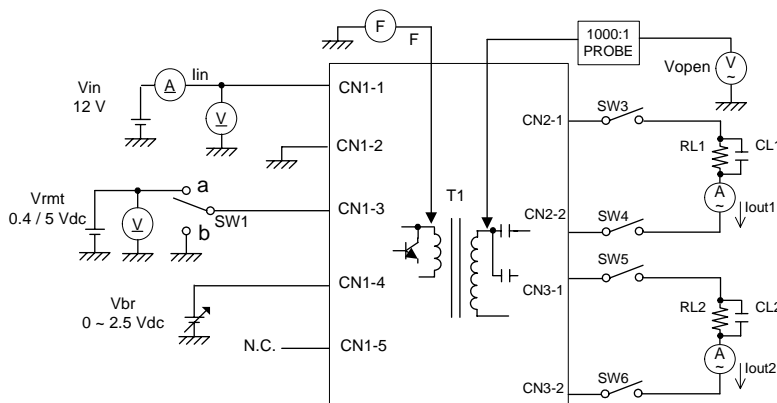
(PRELIMINARY INFORMATION)

ELECTRICAL CHARACTERISTICS :

Parameters	Symbols	Conditions			Specification			Unit	Note
		Vin (V)	Vbr (V)	Tu (°C)	Min.	Typ.	Max.		
Output Current	Iout	12±1.2	0.0	0 ~ +60	6.0	6.5	7.0	mArms	Duty 100%
Output Current	Iout	12±0.6	2.5	0 ~ +60	-	20	-	%	Duty Min
Input Current	Iin	12±1.2	0.0	0 ~ +60	-	0.88	1.2	Adc	
Frequency	F	12±1.2	0.0	0 ~ +60	40	60	70	kHz	
Open Circuit Voltage	Vopen	11.4	0.0	0 ~ +60	1.680	1.750	1.900	Vrms	
No load Shutdown	Tsd	12±1.2	0.0	0 ~ +60	-	1.0	-	sec	without load

Note 1 : Please keep minimum of 2mm clearance (all directions) between inverter high voltage area as marked on mechanical drawing and any conductors.

TEST CIRCUIT :



SW 1	Operation of unit
a	Operation
b	Non operation

Power Systems – The Power Solution

Web: www.Power-Systems.de
 Email: Info@Power-Systems.de

Address: Hauptstr. 48 ; 74360 Ilfeld-Auenstein / Germany
 Tel. : + 49 / 70 62 / 67 59 - 6
 Fax: + 49 / 70 62 / 67 59 - 800