

Series NDP

90° Solder Dip Plug (1.27mm Pitch)

Specifications

Insulation Resistance: 500MΩ min. at 500V DC
 Withstanding Voltage: 500V ACrms for 1 minute
 Contact Resistance: 35mΩ max. at 10mA
 Current Rating: 0.5A
 Operating Temp. Range: -55°C to +85°C
 Mating Cycles: 500 insertions
 Soldering Temp.: 260°C / 3 sec.

Materials and Finish

Housing: PPS (glass filled), UL 94V-0 rated
 Contacts: Copper Alloy
 Plating: Mating Face Contacts - Au over Ni
 Solder Terminals - Au over Ni

Features

- Low insertion and extraction forces due to bellows type contacts

Part Number (Details)

NDP 050 - 002 - BF

Series (plug)

No. of Leads

Terminal Type:

2 = Right Angle Solder Dip

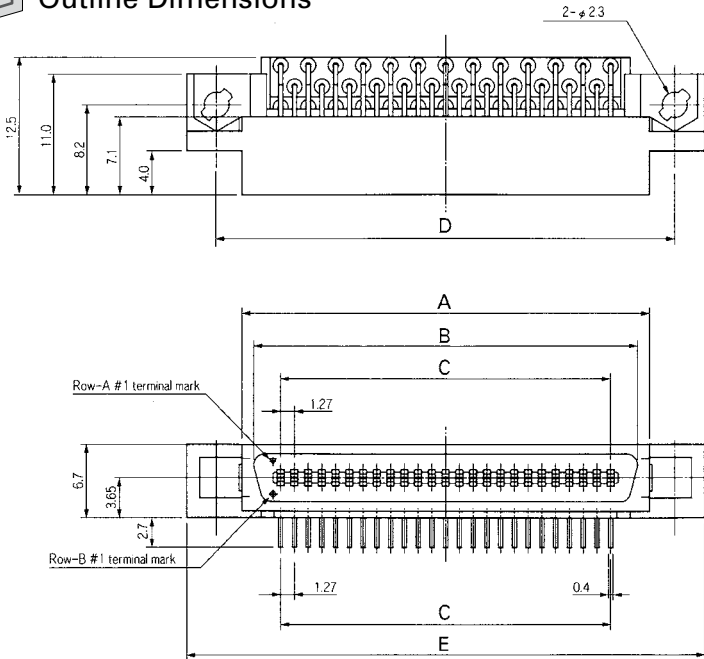
Contact Plating:

Mating Face - Au (0.3μm min.) over Ni

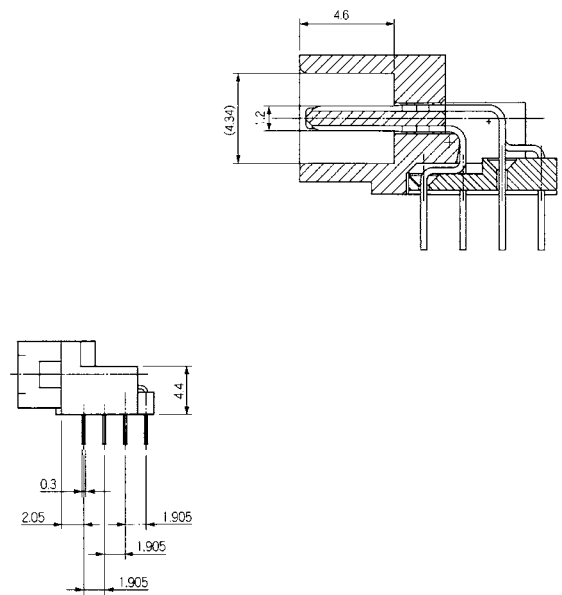
Solder Terminals - Au (0.05μm min.) over Ni



Outline Dimensions



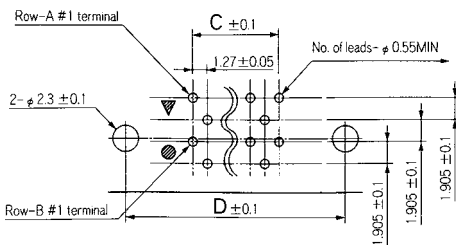
Contact Details



1.27 mm Board-to-Board Connectors

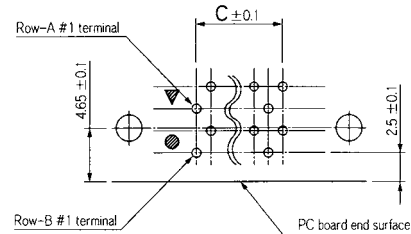
Recommended PCB Layout

For 14, 26, 30 and 50 Leads only



For All Other Leads

Top View



Standard types

Part Number	No. of Leads	A	B	C	D	E
NDP036-002-BF	36	28.75	26.55	21.59	33.43	38.93
NDP068-002-BF	68	49.07	46.87	41.91	53.75	59.25
NDP128-002-BF	128	87.17	84.97	80.01	91.85	97.35

For the following versions below please contact Yamaichi, minimum order quantity may be required

NDP040-002-BF	40	31.29	29.09	24.13	35.97	41.47
NDP100-002-BF	100	69.39	67.19	62.23	74.04	79.57

Specifications

Insulation Resistance: 500MΩ min. at 500V DC
 Withstanding Voltage: 500V ACrms for 1 minute
 Contact Resistance: 35mΩ max. at 10mA
 Current Rating: 0.5A
 Operating Temp. Range: -55°C to +85°C
 Mating Cycles: 500 insertions
 Soldering Temp.: 260°C / 5 sec.

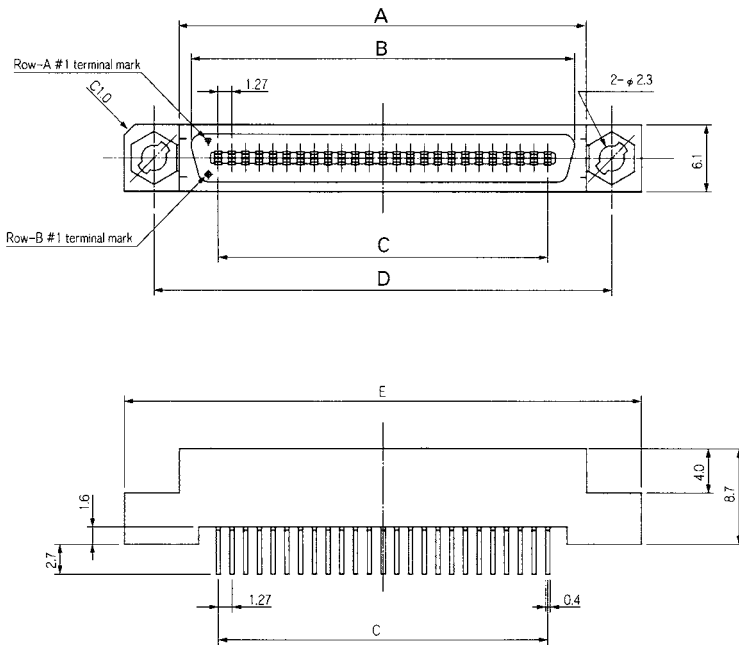
Materials and Finish

Housing: PPS (glass filled), UL 94V-0 rated
 Contacts: Copper Alloy
 Plating: Mating Face Contacts - Au over Ni
 Solder Terminals - Au over Ni

Features

- Low insertion and extraction forces due to bellows type contacts

Outline Dimensions



Part Number (Details)

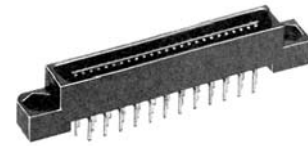
NDP 050 - 004 - BF

Series (plug)

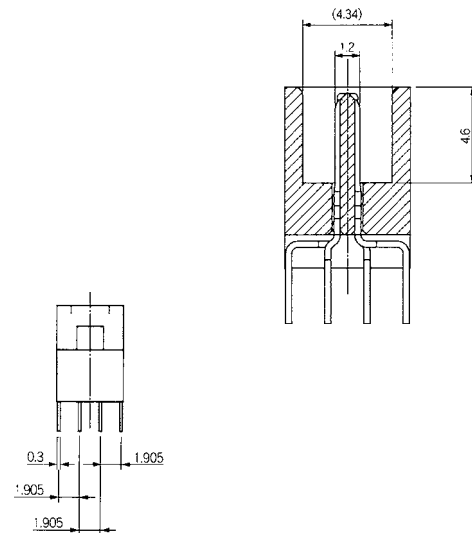
No. of Leads

Terminal Type:
4 = Straight Solder Dip

Contact Plating:
Mating Face - Au (0.3μm min.) over Ni
Solder Terminals - Au (0.05μm min.) over Ni

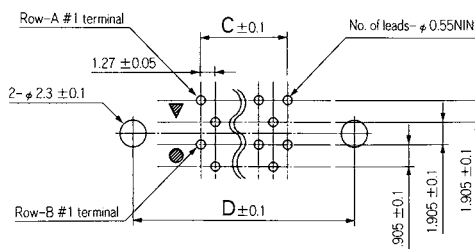


Contact Details

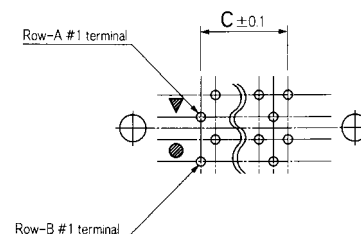


Recommended PCB Layout

For 50 Leads only



For All Other Leads



Top View

Standard types

Part Number	No. of Leads	A	B	C	D	E
NDP036-004-BF	36	28.75	26.55	21.59	33.43	38.93
NDP050-004-BF	50	37.64	35.44	30.48	42.32	47.82

For the following versions below please contact Yamaichi, minimum order quantity may be required

NDP068-004-BF	68	49.07	46.87	41.91	53.75	59.25
NDP100-004-BF	100	69.39	67.19	62.23	74.04	79.57
NDP128-004-BF	128	87.17	84.97	80.01	91.85	97.35