

FEATURES:

- Switching capacity up to 10A
- Small size and light weight
- Low coil power consumption
- High contact load

UL **E197852**



RoHS Compliant

18.5 x 10.2 x 15.8 mm

CONTACT DATA

Contact Arrangement	1A = SPST N.O 1C = SPDT
Contact Rating	4.2A @ 277VAC; 5A @ 250VAC 10A @ 125VAC Resistive ¼ hp, 120/250/277VAC TV-5, 120VAC; Pilot Duty: C150
Contact Resistance	< 50 milliohms initial
Contact Material	AgSnO ₂
Maximum Switching Power	150W 1250VA
Maximum Switching Voltage	277VAC, 30VDC
Maximum Switching Current	10A

COIL DATA

Coil Voltage VDC		Coil Resistance Ω ± 10%	Pick Up Voltage VDC (max)	Release Voltage VDC (min)	Coil Power W	Operate Time ms	Release Time ms
Rated	Max.		75% of rated voltage	10% of rated voltage			
		.45W					
3	3.9	20	2.25	0.3	.45	10	10
5	6.5	55	3.75	0.5			
6	7.8	80	4.50	0.6			
9	11.7	180	6.75	0.9			
12	15.6	320	9.00	1.2			
18	22.8	720	13.50	1.8			
24	31.2	1280	18.00	2.4			
48	62.4	5120	36.00	4.8			

CAUTION:

1. The use of any coil voltage less than the rated coil voltage may compromise the operation of the relay.
2. Pickup and release voltages are for test purposes only and are not to be used as design criteria.

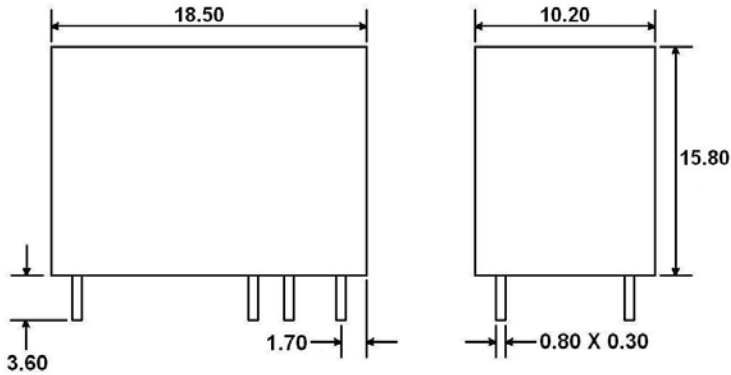
GENERAL DATA

Electrical Life @ rated load	100K cycles, typical
Mechanical Life	10M cycles, typical
Insulation Resistance	100MΩ min @ 500VDC
Dielectric Strength, Coil to Contact	4000V rms min. @ sea level
Contact to Contact	1000V rms min. @ sea level
Shock Resistance	100m/s ² for 11ms
Vibration Resistance	1.50mm double amplitude 10-40Hz
Terminal (Copper Alloy) Strength	10N
Operating Temperature	-40°C to + 85°C
Storage Temperature	-40°C to + 155°C
Solderability	260 °C for 5s
Weight	9.5g

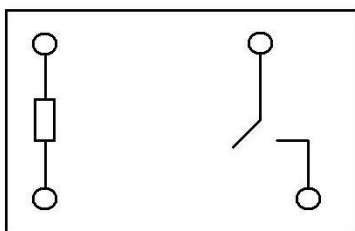
ORDERING INFORMATION

1. Series: J105	J105	1C	9VDC	.45
2. Contact Arrangement: 1A = SPST N.O. 1C = SPDT				
3. Coil Voltage: 3VDC 5VDC 6VDC 9VDC 12VDC 18VDC 24VDC 48VDC				
4. Coil Power: .45 = .45W				

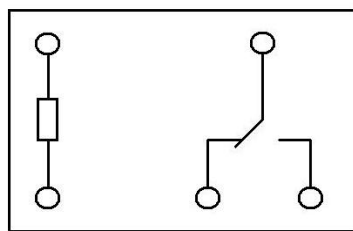
DIMENSIONS (Units = mm)



SCHEMATICS & PC LAYOUTS (BOTTOM VIEWS)



1A



1C

