

ES-2115/2215

15" Open Frame and Rugged Panel Mount Monitor



Features

- 15" LCD supports 1024 x 768 pixels and wide operating temperature (-0 ~ 50° C)
- Resistive, Capacitive, SAW or IR touchscreen and 3 mm tempered glass options
- Versatile mounting brackets
- Modular architecture for efficient integration
- Special back cover designed for 3.5"/5.25" SBCs and ARK-1000/3000/4000 series box computers
- Sunlight readable (optional)
- Ultra-high brightness up to 1000 cd/m2 with LED backlight technology (optional)
- Rugged aluminum front bezel design (ES-2215)
- VGA or LVDS interface (S-Video: optional)

Introduction

The Advantech ES-2115/2215 Embedded Open Frame and Rugged Panel Mount Monitor series offer flexible options for LCD, touchscreen, signal interface and chassis mounting. The back cover has mounting holes for industry standard 3.5" or 5.25" SBCs; or Advantech DSA-2102, DSA-3400 digital signage player, DVS-355 mobile digital video platform, and ARK-1000, ARK-3000 and ARK-4000 series embedded box computers. The series supports panel and VESA mounting, and is supplied with four versatile mounting brackets for different integration applications. The Advantech Display Solutions Selection Wizard (<http://www.advantech.com.tw/ePlatform/DS/DisplaySolution.asp>) enables easy selection of model numbers by choosing the required options.

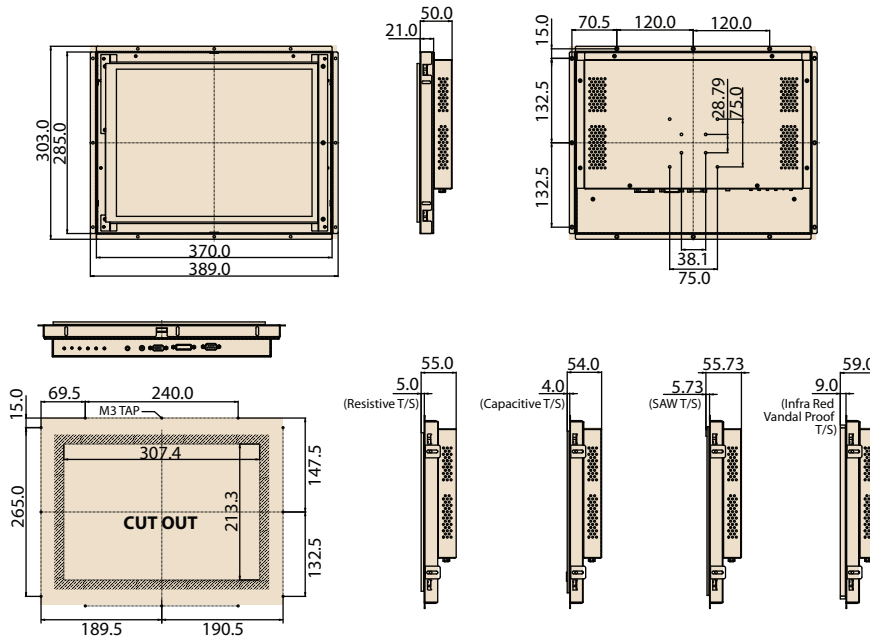
Specifications

| | | | | | |
|------------------|-------------------------|---|-------------------|-----------------------|------------------|
| Processor System | I/O Ports | 15-pin D-sub, DC power input, RS-232 port, Power Switch and OSD keys (Auto-tune, menu, decrease, increase) | | | |
| | Display Input Signal | Analog RGB, 0.7 VP-P / 75 Ohm, optional LVDS | | | |
| | Multi-Scan Mode | Multi-Scan Mode supports VGA, SVGA | | | |
| | OSD Control | Keys: Auto-tune, Menu, Decrease and Increase Functions: Brightness, Contrast, Clock, Phase, Horizontal Position, Vertical Position and Sharpness | | | |
| | Power | 50 W power adapter, with AC 100 ~ 240 V input and DC +12 V @ 4.16 A output | | | |
| | Dimensions (W x H x D) | Please refer to the product dimension diagram on next page | | | |
| | Weight | ES-2115: 3.8 kg / 8.38 lb ES-2215: 4.5 kg / 9.92 lb | | | |
| Environment | Operating Temperature | -0 ~ 50° C (32 ~ 122° F) | | | |
| | Storage Temperature | -20 ~ 60° C (-4 ~ 140° F) for standard LCDs | | | |
| | Humidity | 5 ~ 95% @ 40° C, non-condensing | | | |
| | Shock | 10 G peak acceleration (11 ms duration) | | | |
| | EMC Approved | CE FCC | | | |
| Display | Feature | Standard / (OEM) | Sunlight Readable | Ultra-high Brightness | |
| | Size | 15" | 15" | 15" | |
| | Resolution (pixels) | 1024 x 768 XGA | 1024 x 768 XGA | 1024 x 768 XGA | |
| | Number of Colors | 262 K | 262 K | 262 K | |
| | Viewing Angle (L/R/U/D) | 60°/60°/40°/60° | 70°/70°/70°/50° | 60°/60°/35°/65° | |
| | Brightness (cd/m2) | 350 | 550 | 1500 | |
| | Contrast Ratio | 500:1 | 500:1 | 650:1 | |
| | Response Time (ms) | 12 | 12 | 6 | |
| | Lamp Life (hrs) | 50,000 | 50,000 | 50,000 | |
| | Long-term Support | Yes | Yes | Yes | |
| | Anti-reflection | - | Yes | Yes | |
| Touchscreen | Type | Analog Resistive | Capacitive | SAW | Infrared |
| | Thickness | 3.48 mm | 3.18 mm | 2.7 mm | 3.0 mm |
| | Resolution | 4096 x 4096 | 1024 x 1024 | 4096 x 4096 | 4096 x 4096 |
| | Light Transmission | 80% | 85% | 92% | 92% |
| | Controller Interface | RS-232/USB | RS-232 | RS-232/USB | RS-232/USB |
| | Power Consumption | +5 V @ 200 mA | +5 V @ 100 mA | +5 V @ 75 mA | +5 V @ 150 mA |
| | Durability (Touches) | 35 million hrs | 225 million hrs | 50 million hrs | MTBF 100,000 hrs |
| | Driver OS Support | DOS, Linux, Mac, Windows 95/98/NT/ME/CE/2000/XP | | | |

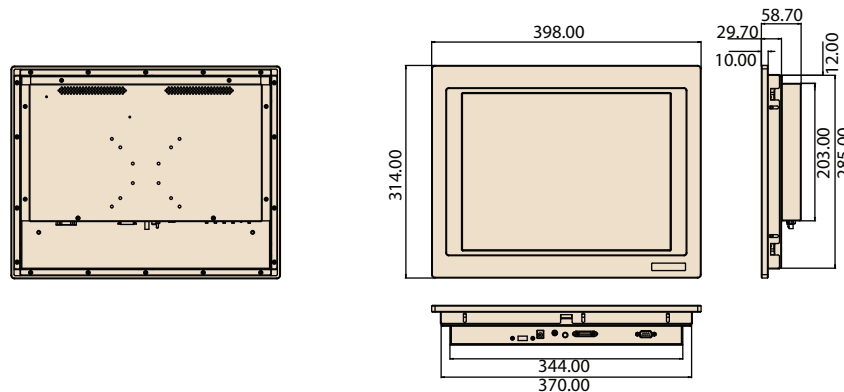
Dimensions

Unit: mm

ES-2115



ES-2215



Ordering Information

| P/N | Type | Brightness (cd/m ²) | Interface | Touchscreen | Touch Interface | Anti-Reflection |
|------------------|--------------------|---------------------------------|-----------|------------------|-----------------|-----------------|
| ES-2115G-VXAE | Open Frame | 350 | VGA | Tempered Glass | N/A | N/A |
| ES-2115R-VXAE | Open Frame | 350 | VGA | 5-Wire Resistive | RS-232/USB | N/A |
| ES-2115C-VXAE | Open Frame | 350 | VGA | Capacitive | RS-232 | N/A |
| ES-2115R-LXAE-05 | Open Frame | 350 | LVDS | 5-Wire Resistive | RS-232/USB | N/A |
| ES-2215R-VXAE | Rugged panel mount | 350 | VGA | 5-Wire Resistive | RS-232/USB | N/A |
| ES-2215C-VXA-SRE | Rugged panel mount | 550 | VGA | Capacitive | RS-232 | Yes |
| ES-2115C-VXM-HE | Open Frame | 1500 | VGA | Capacitive | RS-232 | Yes |

Notes:

- 1.) Capacitive, SAW and Infrared touch panels are recommended for applications requiring sunlight readable outdoor solutions.
- 2.) The list above is of major part numbers for your reference. Other combinations of LCD, touchscreen and signal interface features can be found in the Advantech Display Solutions. The Selection Wizard (<http://www.advantech.com.tw/ePlatform/DS/DisplaySolution.asp>) or CTOS services can be used to get your demand configuration and part numbers to us for ordering.
- 3.) For special requests, we welcome you to use the Display Solution DTOS service.