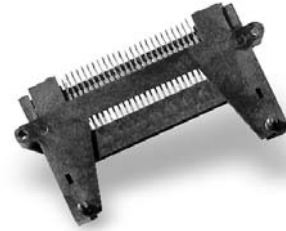


Specifications

Insulation Resistance:	1000MΩ min. at 500V DC
Withstanding Voltage:	1000V AC / min.
Operational voltage:	250V AC max
Current Rating:	1A max.
Contact Resistance:	40mΩ max.
Operating Temp. Range:	-20°C to +85°C
Mating Cycles:	10,000 times

Part Number

CF050P2-PINPROTECT



Materials and Finish

Insulator:	LCP, glass filled (UL94V-0)
Contacts:	Phosphor Bronze
Spring:	Stainless Steel
Plating:	Contacts area - Selective Gold Solder Tails - Tin over Nickel

Features

- A special blocking mechanism ensures that only Compact Flash cards can be inserted

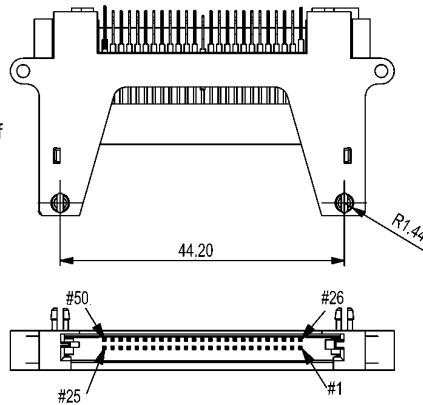
Outline Dimensions

Info:

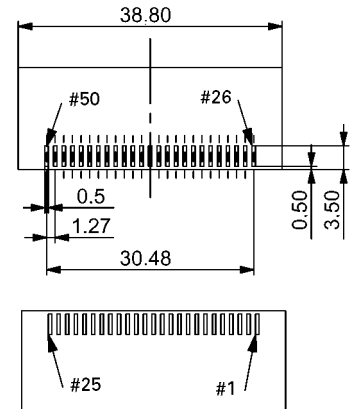
Recommended hole size for fixing clips 2.5 - 2.6mm

Recommended thickness of PCB 1.6 - 1.7mm

Recommended screw M2



Recommended PCB Layout



Info:

Max. PCB thickness 0.8mm
min. PCB thickness 0.5mm

