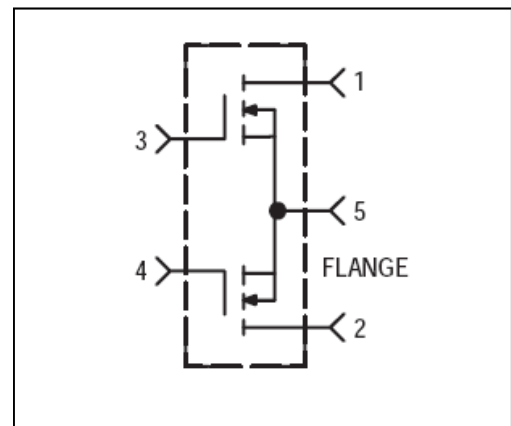
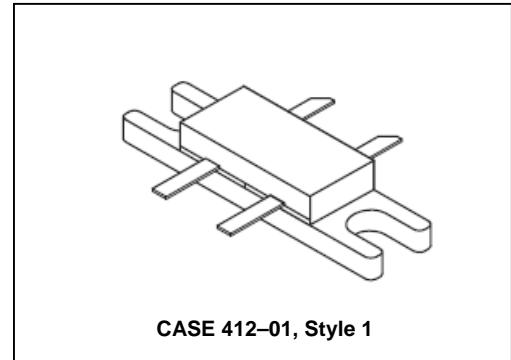


Designed primarily for wideband large-signal output and driver stages to 30 – 500 MHz.

N-Channel enhancement mode MOSFET

- Push-pull configuration reduces even numbered harmonics
- Guaranteed performance at 500 MHz, 28 Vdc  
Output power = 40 W  
Gain = 14 dB  
Efficiency = 50%
- Typical performance at 175 MHz, 28 Vdc  
Output power = 40 W  
Gain = 17 dB  
Efficiency = 60%
- Excellent thermal stability, ideally suited for Class A operation
- Facilitates manual gain control, ALC and modulation techniques
- 100% tested for load mismatch at all phase angles with 30:1 VSWR
- Low Crss — 4.0 pF @ VDS = 28 V

## Product Image



## MAXIMUM RATINGS (T<sub>J</sub> = 25°C unless otherwise noted)

Rating	Symbol	Value	Unit
Drain-Gate Voltage	V <sub>DSS</sub>	65	Vdc
Drain-Gate Voltage (R <sub>GS</sub> = 1.0 MΩ)	V <sub>DGR</sub>	65	Vdc
Gate-Source Voltage	V <sub>GS</sub>	± 20	Adc
Drain Current — Continuous	I <sub>D</sub>	8.0	ADC
Total Device Dissipation @ T <sub>C</sub> = 25°C Derate above 25°C	P <sub>D</sub>	175 1.0	Watts °C/W
Storage Temperature Range	T <sub>stg</sub>	-65 to +150	°C
Operating Junction Temperature	T <sub>J</sub>	200	°C

## THERMAL CHARACTERISTICS

Thermal Resistance — Junction to Case	R <sub>θJC</sub>	1.0	°C/W
---------------------------------------	------------------	-----	------

NOTE — **CAUTION** — MOS devices are susceptible to damage from electrostatic charge. Reasonable precautions in handling and packaging MOS devices should be observed.

**ELECTRICAL CHARACTERISTICS** ( $T_C = 25^\circ\text{C}$  unless otherwise noted)

Characteristic	Symbol	Min	Typ	Max	Unit
----------------	--------	-----	-----	-----	------

**OFF CHARACTERISTICS (1)**

Drain-Source Breakdown Voltage ( $V_{GS} = 0\text{ Vdc}$ , $I_D = 5.0\text{ mA}$ )	$V_{(BR)DSS}$	65	—	—	Vdc
Zero Gate Voltage Drain Current ( $V_{DS} = 28\text{ Vdc}$ , $V_{GS} = 0\text{ Vdc}$ )	$I_{DSS}$	—	—	0.5	mA
Gate-Source Leakage Current ( $V_{GS} = 20\text{ Vdc}$ , $V_{DS} = 0\text{ Vdc}$ )	$I_{GSS}$	—	—	1.0	$\mu\text{A}$

**ON CHARACTERISTICS (1)**

Gate Threshold Voltage ( $V_{DS} = 10\text{ Vdc}$ , $I_D = 25\text{ mA}$ )	$V_{GS(th)}$	1.5	3.0	4.5	Vdc
Forward Transconductance ( $V_{DS} = 10\text{ Vdc}$ , $I_D = 1.5\text{ A}$ )	$g_{fs}$	0.9	1.1	—	mS

**DYNAMIC CHARACTERISTICS (1)**

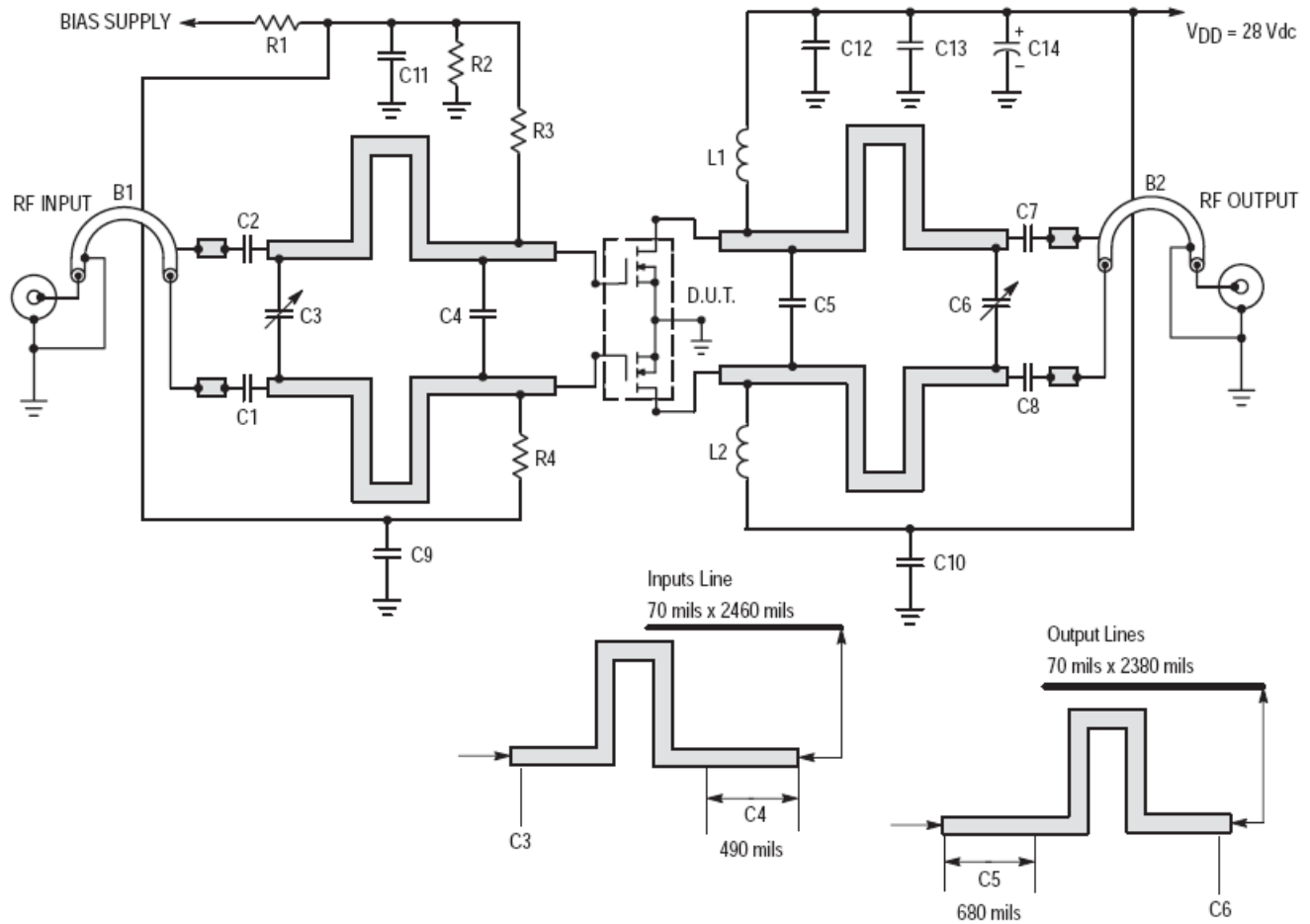
Input Capacitance ( $V_{DS} = 28\text{ Vdc}$ , $V_{GS} = 0\text{ Vdc}$ , $f = 1.0\text{ MHz}$ )	$C_{iss}$	—	28	—	pF
Output Capacitance ( $V_{DS} = 28\text{ Vdc}$ , $V_{GS} = 0\text{ Vdc}$ , $f = 1.0\text{ MHz}$ )	$C_{oss}$	—	30	—	pF
Reverse Transfer Capacitance ( $V_{DS} = 28\text{ Vdc}$ , $V_{GS} = 0\text{ Vdc}$ , $f = 1.0\text{ MHz}$ )	$C_{rss}$	—	4.0	—	pF

**FUNCTIONAL CHARACTERISTICS (2)**

Common Source Power Gain ( $V_{DD} = 28\text{ Vdc}$ , $P_{out} = 40\text{ W}$ , $f = 500\text{ MHz}$ , $I_{DQ} = 100\text{ mA}$ )	$G_{ps}$	14	16	—	dB
Drain Efficiency ( $V_{DD} = 28\text{ Vdc}$ , $P_{out} = 40\text{ W}$ , $f = 500\text{ MHz}$ , $I_{DQ} = 100\text{ mA}$ )	$\eta$	50	55	—	%
Electrical Ruggedness ( $V_{DD} = 28\text{ Vdc}$ , $P_{out} = 40\text{ W}$ , $f = 500\text{ MHz}$ , $I_{DQ} = 100\text{ mA}$ ) Load VSWR = 30:1, All phase angles at frequency of test	$\Psi$	No Degradation in Output Power			
Series Equivalent Input Impedance ( $V_{DD} = 28\text{ Vdc}$ , $P_{out} = 40\text{ W}$ , $f = 500\text{ MHz}$ , $I_{DQ} = 100\text{ mA}$ )	$Z_{in}$	—	$2.88 - j7.96$	—	Ohms
Series Equivalent Output Impedance ( $V_{DD} = 28\text{ Vdc}$ , $P_{out} = 40\text{ W}$ , $f = 500\text{ MHz}$ , $I_{DQ} = 100\text{ mA}$ )	$Z_{out}$	—	$6.12 - j9.43$	—	Ohms

(1) Each transistor chip measured separately.

(2) Both transistor chips operating in a push-pull amplifier.



- |   |   |
|---|---|
| C1, C2, C7, C8  | 220 pF, 100 mil Chip Capacitor, ATC                 |
| C3, C6  | 0 – 10 pF, Johanson                                 |
| C4  | 27 pF, 100 mil Chip Capacitor, ATC                  |
| C5  | 22 pF, 100 mil Chip Capacitor, ATC                  |
| C9, C10, C11, C12   | 0.01 $\mu$ F Blue Capacitor                         |
| C13   | 470 pF, 100 mil Chip Capacitor, ATC                 |
| C14   | 50 $\mu$ F, 50 V Electrolytic Capacitor             |
| L1, L2  | 8 Turns #20 AWG, 0.100 mils ID                      |
| B1, B2  | 6" long, ID = 550 mils, 50 $\Omega$ Semi-Rigid Coax |
| R1  | 1.0 k $\Omega$ 1/2 Watt                             |
| R2  | 10 k $\Omega$ 1/2 Watt                              |
| R3, R4  | 45 $\Omega$ 1/2 Watt                                |
| Board Material – Teflon <sup>®</sup> Fiberglass                               |   |
| Dielectric Thickness = 0.30", $\epsilon_r = 2.55$ Copper Clad, 2.0 oz. Copper |   |

Figure 1. MRF166W 500 MHz Test Circuit Schematic

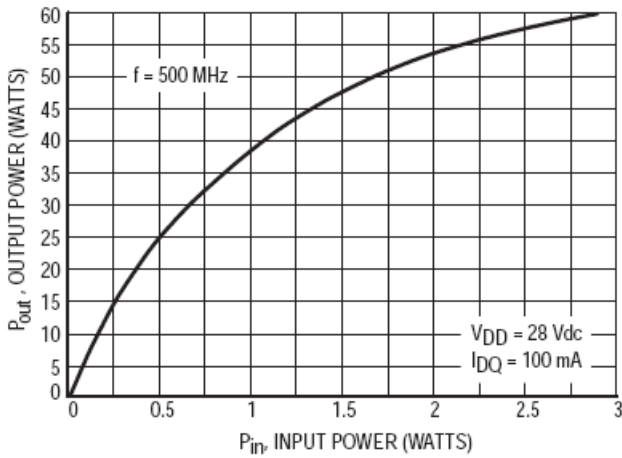


Figure 2. Output Power versus Input Power, 28 Vdc

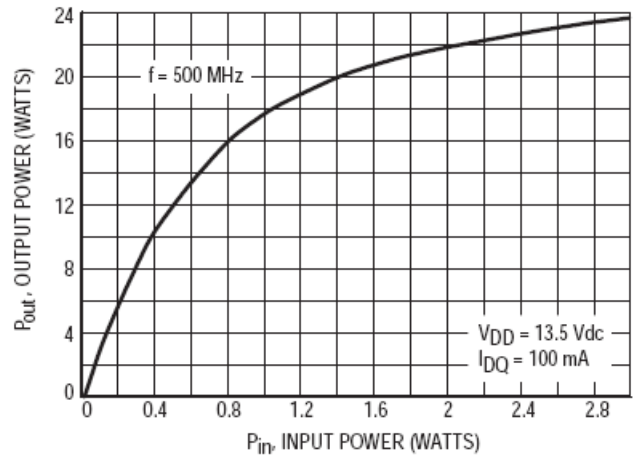


Figure 3. Output Power versus Input Power, 13.5 Vdc

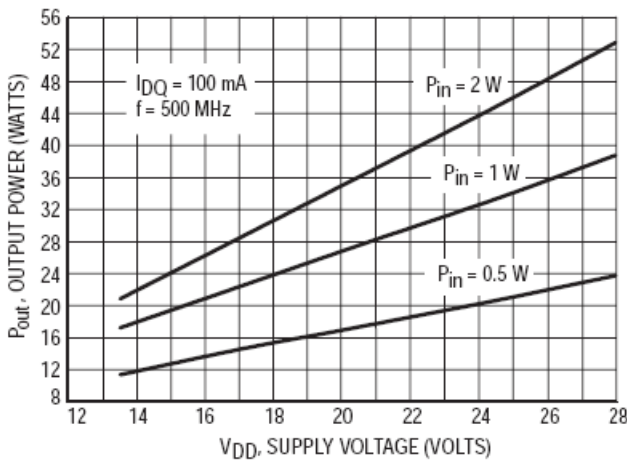


Figure 4. Output Power versus Supply Voltage

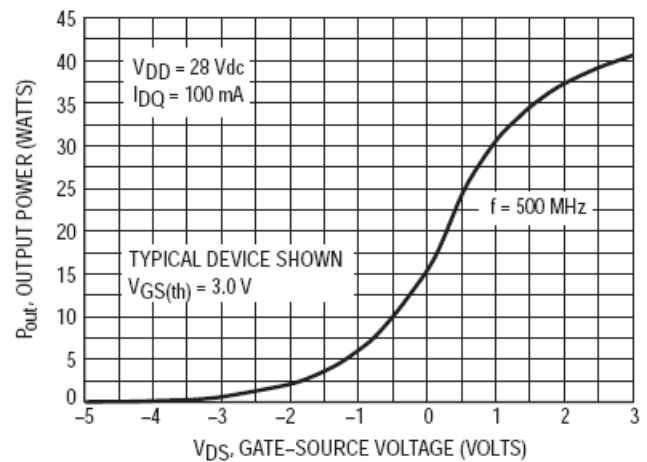


Figure 5. Output Power versus Gate Voltage

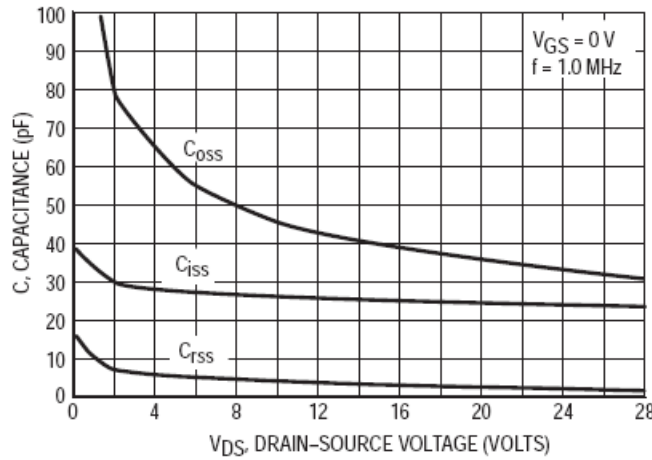
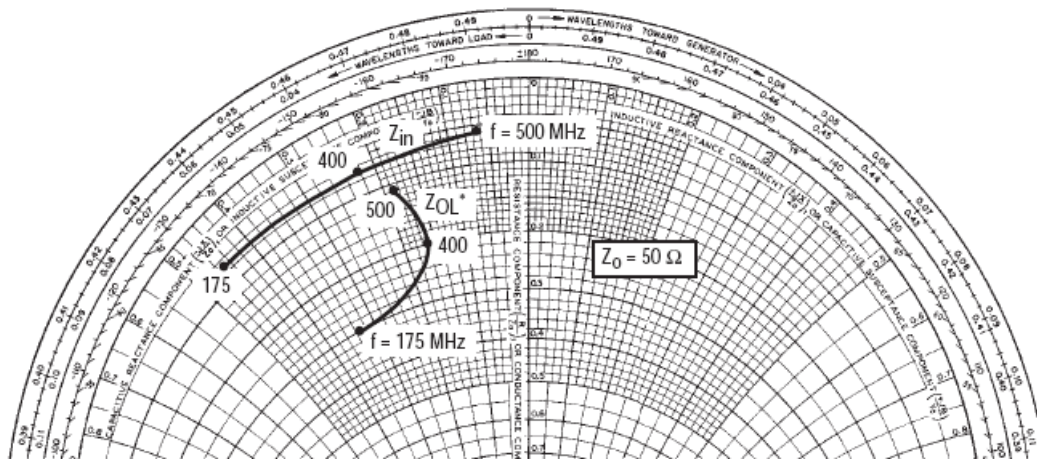


Figure 6. Capacitance versus Voltage



$V_{DD} = 28 \text{ Vdc}$ ,  $I_{DQ} = 100 \text{ mA}$ ,  $P_{out} = 40 \text{ W}$

f MHz	$Z_{in}$ Ohms	$Z_{OL}^*$ Ohms
175	$3.7 - j 22.4$	$15.2 - j 16.6$
400	$3.6 - j 10.99$	$10.3 - j 7.99$
500	$2.88 - j 7.96$	$6.12 - j 9.43$

Table 1. Input and Output Impedances

$Z_{OL}^*$  = Conjugate of the optimum load impedance into which the device output operates at a given output power, voltage and frequency.

NOTE: Input and output impedance values given are measured from gate to gate and drain to drain respectively.

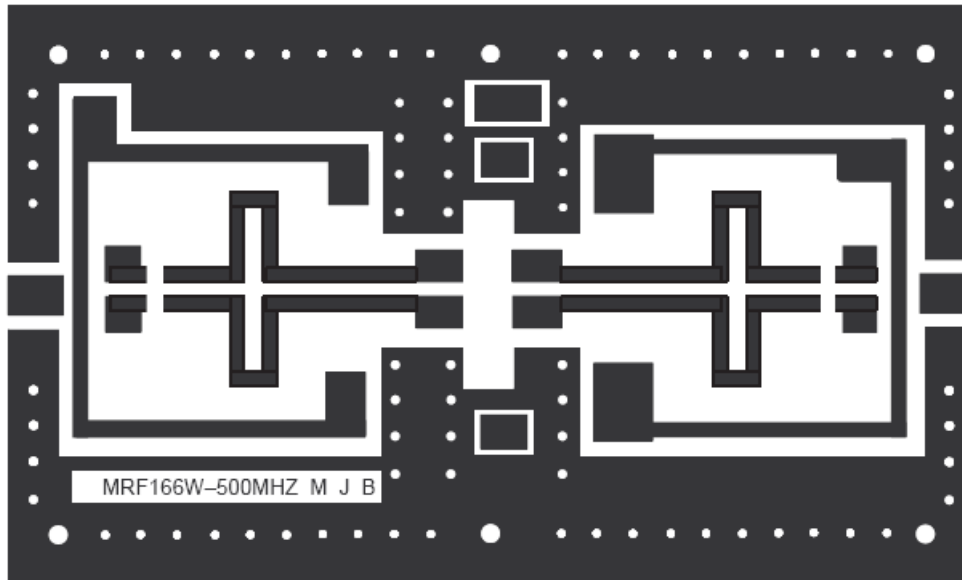
Figure 7. Series Equivalent Input/Output Impedance

# MRF166W



The RF MOSFET Line  
40W, 500MHz, 28V

M/A-COM Products  
Released - Rev. 07.07



- NOTES: 1) 3 X 5 inch Glass Teflon® 32 Mil Board, Copper Both Sides  
2) Small Holes are 40 Mils ID and Plated Through  
3) Large Holes are 140 Mils ID and Plated Through

(Scale 1:1)

Figure 8. MRF166W Circuit Board Photomaster

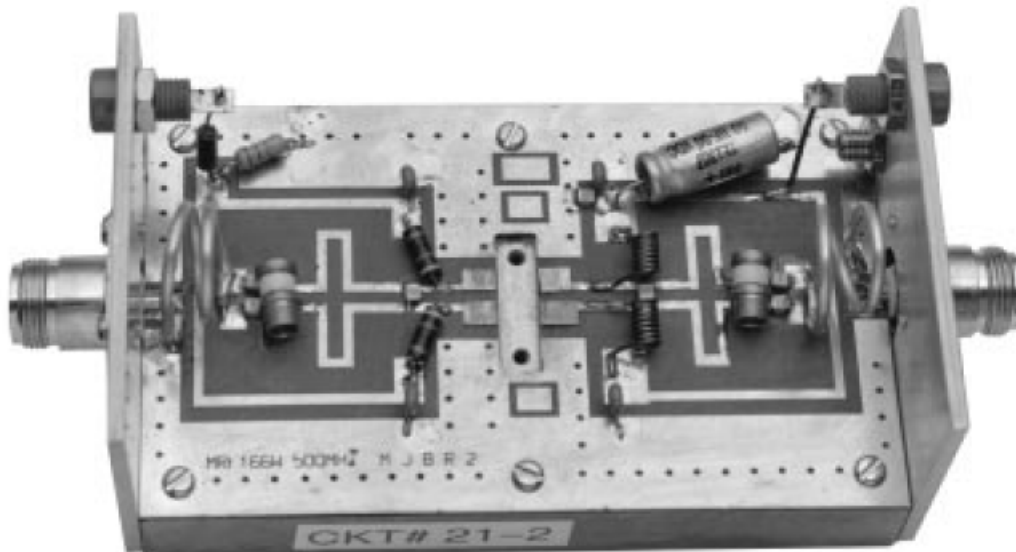


Figure 9. MRF166W Test Fixture

# MRF166W



The RF MOSFET Line  
40W, 500MHz, 28V

M/A-COM Products  
Released - Rev. 07.07

Table 1. Common Source S-Parameters ( $V_{DS} = 24\text{ V}$ ,  $I_D = 230\text{ mA}$ )

f MHz	S <sub>11</sub>		S <sub>21</sub>		S <sub>12</sub>		S <sub>22</sub>	
	S <sub>11</sub>	∠	S <sub>21</sub>	∠	S <sub>12</sub>	∠	S <sub>22</sub>	∠
30	0.554	-85	20.30	128	0.044	28	0.628	-121
40	0.775	-113	20.00	113	0.040	26	0.632	-123
50	0.758	-124	17.50	107	0.041	20	0.652	-135
60	0.711	-132	14.60	100	0.050	20	0.570	-135
70	0.751	-139	12.70	100	0.042	11	0.666	-145
80	0.742	-143	11.30	95	0.043	9	0.666	-149
90	0.724	-146	10.00	92	0.042	8	0.657	-151
100	0.730	-149	8.97	90	0.042	6	0.663	-154
110	0.735	-151	8.29	87	0.043	3	0.683	-156
120	0.732	-153	7.53	84	0.042	2	0.666	-158
130	0.734	-155	7.01	83	0.042	1	0.688	-159
140	0.740	-156	6.57	81	0.043	0	0.701	-160
150	0.747	-157	6.01	78	0.042	-2	0.688	-162
160	0.748	-159	5.66	76	0.041	-4	0.715	-162
170	0.741	-160	5.22	76	0.040	-4	0.690	-161
180	0.746	-160	4.94	74	0.041	-4	0.719	-164
190	0.753	-161	4.67	73	0.041	-6	0.725	-165
200	0.756	-162	4.51	70	0.040	-7	0.729	-166
210	0.755	-162	4.15	69	0.039	-8	0.727	-165
220	0.759	-163	3.91	68	0.039	-8	0.724	-166
230	0.767	-163	3.75	65	0.039	-10	0.751	-169
240	0.769	-164	3.56	64	0.038	-12	0.733	-167
250	0.766	-164	3.41	63	0.037	-12	0.726	-167
260	0.767	-165	3.26	63	0.035	-10	0.725	-167
270	0.773	-165	3.07	61	0.035	-10	0.725	-167
280	0.777	-165	3.03	61	0.035	-11	0.753	-167
290	0.777	-166	2.89	58	0.034	-13	0.732	-169
300	0.782	-166	2.80	57	0.034	-11	0.744	-169
310	0.788	-166	2.66	57	0.034	-12	0.764	-169
320	0.794	-167	2.54	55	0.033	-12	0.760	-167
330	0.796	-167	2.47	54	0.032	-13	0.787	-169
340	0.795	-168	2.38	54	0.031	-13	0.753	-170
350	0.799	-168	2.27	52	0.030	-11	0.772	-168
360	0.804	-168	2.17	51	0.030	-11	0.782	-169
370	0.805	-168	2.15	50	0.030	-11	0.796	-169
380	0.807	-169	2.06	48	0.029	-12	0.782	-170
390	0.812	-169	2.00	48	0.028	-12	0.796	-170
400	0.818	-170	1.91	47	0.027	-10	0.784	-168
410	0.821	-170	1.86	46	0.029	-11	0.830	-170
420	0.821	-170	1.83	44	0.028	-11	0.823	-171
430	0.822	-171	1.74	44	0.026	-9	0.791	-170
440	0.826	-171	1.67	43	0.025	-7	0.788	-170

**ADVANCED:** Data Sheets contain information regarding a product M/A-COM Technology Solutions is considering for development. Performance is based on target specifications, simulated results, and/or prototype measurements. Commitment to develop is not guaranteed.

**PRELIMINARY:** Data Sheets contain information regarding a product M/A-COM Technology Solutions has under development. Performance is based on engineering tests. Specifications are typical. Mechanical outline has been fixed. Engineering samples and/or test data may be available. Commitment to produce in volume is not guaranteed.

- **North America** Tel: 800.366.2266 / Fax: 978.366.2266
  - **Europe** Tel: 44.1908.574.200 / Fax: 44.1908.574.300
  - **Asia/Pacific** Tel: 81.44.844.8296 / Fax: 81.44.844.8298
- Visit [www.macomtech.com](http://www.macomtech.com) for additional data sheets and product information.

M/A-COM Technology Solutions Inc. and its affiliates reserve the right to make changes to the product(s) or information contained herein without notice.

Table 1. Common Source S-Parameters ( $V_{DS} = 24\text{ V}$ ,  $I_D = 230\text{ mA}$ ) (continued)

f MHz	S <sub>11</sub>		S <sub>21</sub>		S <sub>12</sub>		S <sub>22</sub>	
	S <sub>11</sub>	φ	S <sub>21</sub>	φ	S <sub>12</sub>	φ	S <sub>22</sub>	φ
450	0.830	-171	1.68	42	0.025	-7	0.820	-170
460	0.831	-172	1.64	41	0.026	-10	0.843	-174
470	0.832	-172	1.54	41	0.025	-7	0.827	-173
480	0.835	-173	1.50	39	0.024	-3	0.836	-172
490	0.835	-173	1.43	38	0.024	1	0.835	-171
500	0.823	-174	1.43	37	0.025	3	0.849	-172
600	0.874	-176	1.12	29	0.003	-171	0.873	-176
700	0.910	-179	0.86	23	0.013	89	0.867	-177
800	0.932	179	0.74	18	0.035	61	0.904	178
900	0.966	176	0.63	12	0.029	68	0.897	179
1000	0.975	172	0.54	5	0.042	49	0.953	174



Table 2. Common Source S-Parameters ( $V_{DS} = 28\text{ V}$ ,  $I_D = 250\text{ mA}$ )

f MHz	S <sub>11</sub>		S <sub>21</sub>		S <sub>12</sub>		S <sub>22</sub>	
	S <sub>11</sub>	φ	S <sub>21</sub>	φ	S <sub>12</sub>	φ	S <sub>22</sub>	φ
30	0.601	-86	22.20	128	0.040	29	0.796	-119
40	0.783	-112	21.20	114	0.037	27	0.616	-122
50	0.764	-122	18.50	108	0.038	21	0.637	-133
60	0.727	-131	15.50	101	0.045	21	0.574	-135
70	0.759	-138	13.50	100	0.039	12	0.648	-143
80	0.751	-142	12.10	95	0.040	9	0.649	-148
90	0.732	-146	10.70	93	0.040	8	0.641	-150
100	0.737	-149	9.55	90	0.040	6	0.648	-153
110	0.741	-150	8.81	88	0.040	4	0.670	-155
120	0.738	-153	8.01	85	0.040	3	0.654	-156
130	0.740	-154	7.47	83	0.040	2	0.675	-157
140	0.747	-156	7.01	82	0.040	1	0.684	-158
150	0.754	-157	6.43	79	0.040	-2	0.669	-161
160	0.757	-159	6.07	77	0.039	-3	0.693	-161
170	0.749	-159	5.59	76	0.038	-3	0.670	-161
180	0.753	-160	5.28	75	0.039	-4	0.701	-163
190	0.759	-161	4.99	73	0.039	-5	0.712	-164
200	0.761	-161	4.81	70	0.038	-7	0.719	-165
210	0.759	-162	4.44	70	0.037	-6	0.713	-163
220	0.762	-163	4.18	69	0.037	-7	0.709	-164
230	0.771	-164	4.03	66	0.037	-9	0.733	-167
240	0.775	-164	3.83	65	0.036	-10	0.715	-165
250	0.774	-165	3.69	64	0.035	-10	0.713	-166
260	0.775	-165	3.52	63	0.034	-10	0.715	-168
270	0.780	-165	3.29	61	0.034	-10	0.712	-168
280	0.782	-165	3.24	61	0.034	-11	0.741	-168
290	0.781	-166	3.10	59	0.032	-12	0.722	-168
300	0.785	-166	3.01	58	0.033	-11	0.733	-168

Table 2. Common Source S-Parameters ( $V_{DS} = 28\text{ V}$ ,  $I_D = 250\text{ mA}$ ) (continued)

f MHz	S <sub>11</sub>		S <sub>21</sub>		S <sub>12</sub>		S <sub>22</sub>	
	S <sub>11</sub>	φ	S <sub>21</sub>	φ	S <sub>12</sub>	φ	S <sub>22</sub>	φ
310	0.792	-167	2.87	57	0.032	-12	0.750	-167
320	0.798	-167	2.75	56	0.032	-12	0.739	-166
330	0.801	-168	2.68	53	0.031	-13	0.760	-170
340	0.800	-168	2.58	53	0.030	-14	0.727	-172
350	0.803	-169	2.44	52	0.029	-12	0.755	-170
360	0.807	-169	2.33	50	0.029	-12	0.772	-171
370	0.808	-169	2.30	50	0.029	-12	0.787	-169
380	0.809	-169	2.19	48	0.028	-13	0.768	-170
390	0.813	-170	2.14	49	0.027	-13	0.775	-169
400	0.820	-170	2.06	47	0.026	-11	0.765	-167
410	0.823	-170	2.02	45	0.027	-12	0.805	-170
420	0.823	-171	1.98	44	0.026	-13	0.794	-173
430	0.824	-171	1.89	44	0.025	-12	0.778	-174
440	0.828	-172	1.83	43	0.024	-11	0.785	-173
450	0.832	-172	1.81	41	0.024	-10	0.812	-172
460	0.833	-172	1.75	41	0.025	-13	0.838	-175
470	0.835	-172	1.65	41	0.023	-11	0.817	-173
480	0.840	-172	1.60	40	0.022	-10	0.818	-172
490	0.844	-173	1.55	38	0.022	-10	0.819	-172
500	0.845	-173	1.56	37	0.022	-10	0.833	-173
600	0.879	-176	1.21	29	0.002	138	0.870	-176
700	0.912	-179	0.92	23	0.017	77	0.862	-176
800	0.935	179	0.79	18	0.039	58	0.887	179
900	0.966	176	0.67	11	0.030	69	0.892	179
1000	0.974	172	0.57	5	0.043	49	0.945	175

## PACKAGE DIMENSIONS

