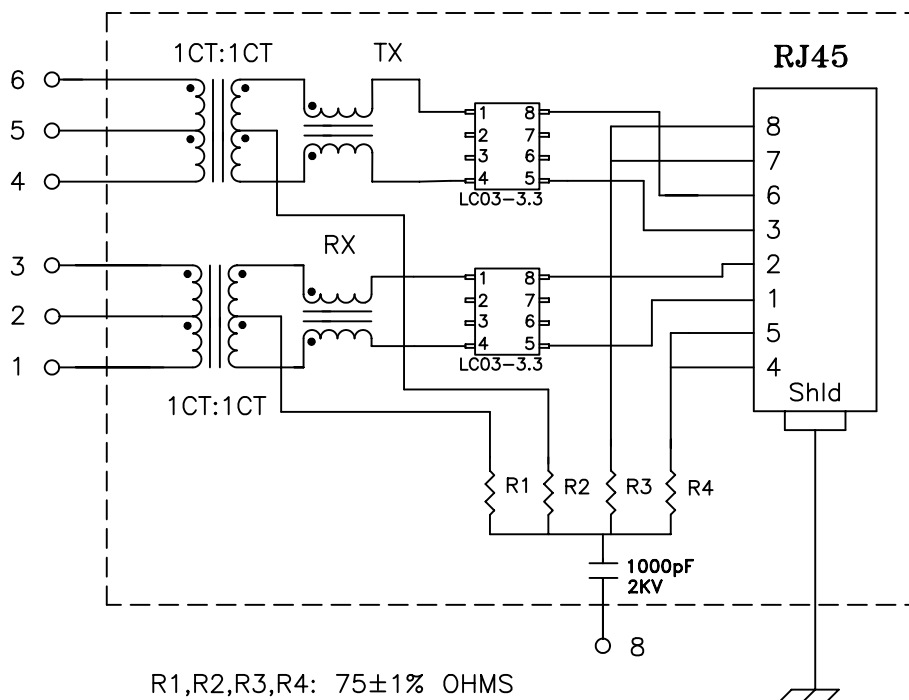


Schematic: (one of twelve)



Electrical Specifications: @25°C

- Isolation Voltage: 1500 Vrms (Input to Output)
- Isolation Voltage: 500 Vrms (P1+2+3 to P4+5+6)
- Turns Ratio: TX 1CT:1CT ±3% RX 1CT:1CT ±3%
- CABLE SIDE OCL: 350uH Minimum @100KHz 100mV 8mADC
- Cw/w: 27pF Typical @100KHz 100mV
- Insertion Loss (300KHz-100MHz): -1.00dB Min
- Return Loss: @30MHz -18dB Minimum
- @80MHz -12dB Minimum

Notes:

1. Solderability: Leads shall meet MIL-STD-202, Method 208D for solderability.
2. Flammability: UL94V-0
3. ASTM oxygen index: > 28%
4. Insulation System: Class F 155°C. UL file E151556
5. Operating Temperature Range: All listed parameters are to be within tolerance from -40°C to +85°C
6. Storage Temperature Range: -55°C to +125°C
7. Aqueous wash compatible

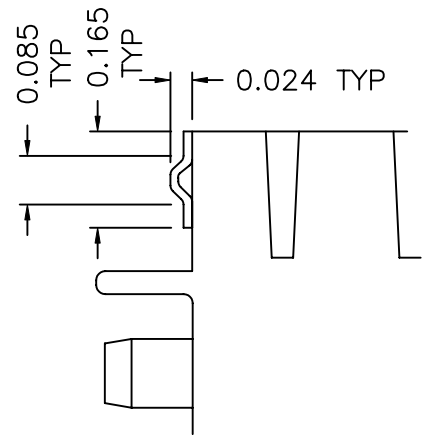
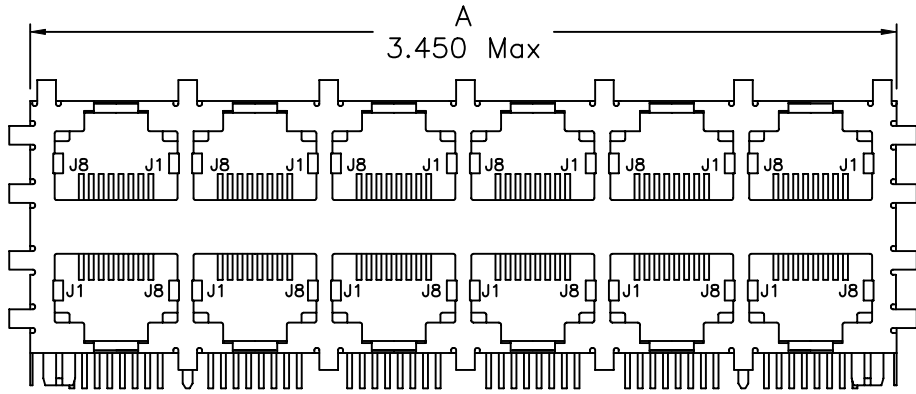
DOC REV: A/1

XFMRs Inc.	Title: 12 PORT COMBO		
	UNLESS OTHERWISE SPECIFIED TOLERANCES:		P/N: XFATM9DM-STACK12-4
	.xxx ±0.010		REV. A
	Dimensions in Inch		
SHEET 1 OF 2		DWN. Kang Chen	Feb-26-04
		CHK. YK Liao	Feb-26-04
		APP. BW	Feb-26-04

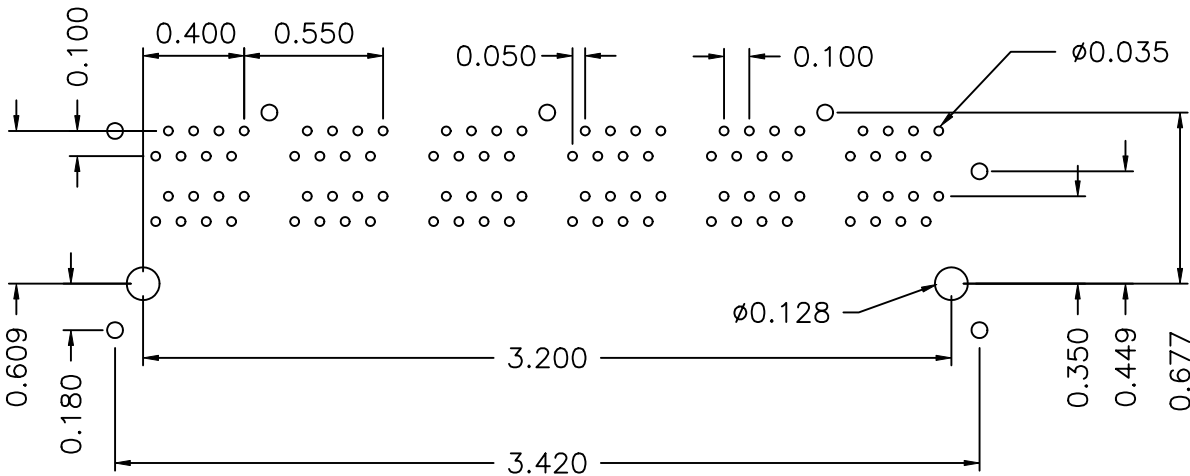
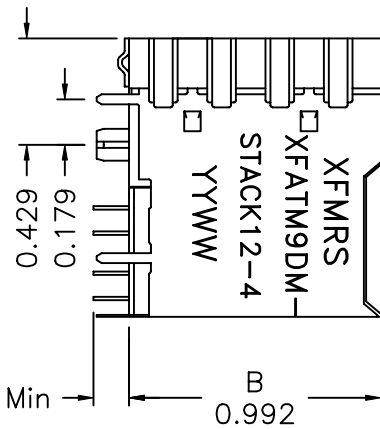
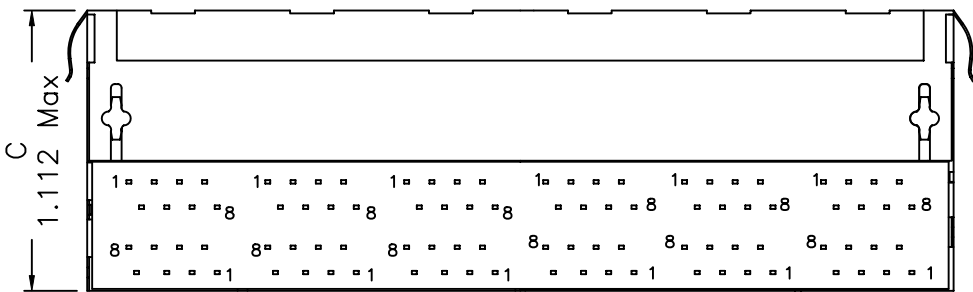
PROPRIETARY

Document is the property of XFMRs Group & is not allowed to be duplicated without authorization.

Mechanical Dimensions:



DETAIL A



SUGGESTED MOUNTING PATTERN (COMPONENT SIDE)

DOC. REV. A/1

XFMRs Inc.

Title: Mechanical Dimensions
For 2x6 STACKED COMBO Series

UNLESS OTHERWISE SPECIFIED

P/N: XFATM9DM-STACK12-4

REV. A

TOLERANCES:

DWN.

廖玉坤

Feb-26-04

.xxx ±0.010

CHK.

李清儿

Feb-26-04

Dimensions in Inch

APP.

BW

Feb-26-04

SHEET 2 OF 2

PROPRIETARY

Document is the property of XFMRs Group & is not allowed to be duplicated without authorization.