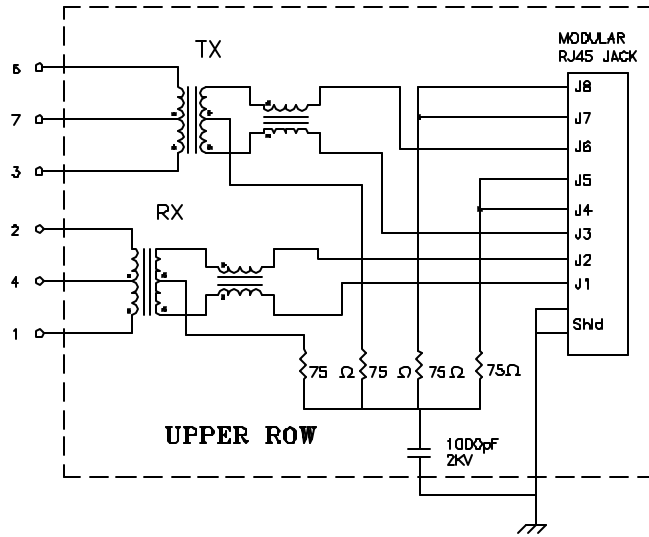
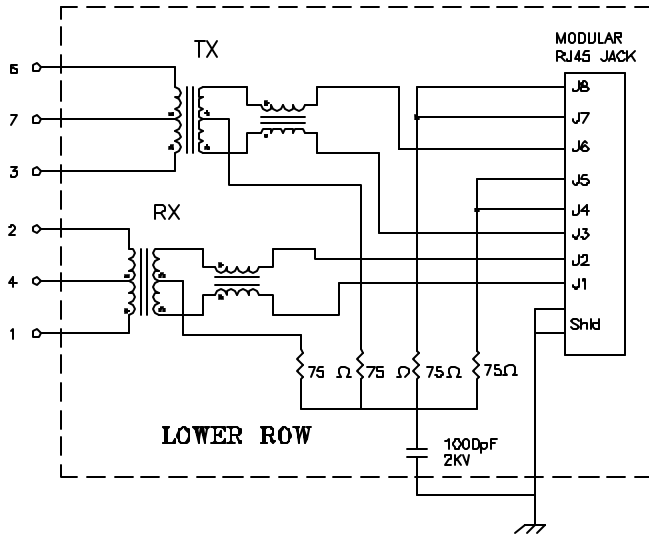


Schematic:



Electrical Specifications: 25°C

- Turns Ratio: TX 1CT:1CT±3%, RX 1CT:1CT±3%
- Isolation Voltage: 1500 Vrms (INPUT to OUTPUT)
- UTP Side OCL: 350uH Min @100KHz 100mV 8mADC
- Rise Time (10–90%): 2.5ns Typical
- Insertion Loss (1–100MHz): –1.0dB Maximum
- Insertion Loss (100MHz–125MHz): –1.5dB Typ.
- Return Loss: –20dB Typ. @30MHz
–12dB Typ @80MHz
- Crosstalk 32MHz: 40.0dB Min
62MHz: 35.0dB Min
100MHz: 30.0dB Min
- CMRR 100KHz–100MHz: 35.0dB Typ

Notes:

1. Solderability: Leads shall meet MIL-STD-202G, Method 208H for solderability.
2. Flammability: UL94V-0
3. ASTM oxygen index: > 28%
4. Insulation System: Class F 155°C, UL file E151556
5. Operating Temperature Range: All listed parameters are to be within tolerance from –40°C to +85°C
6. Storage Temperature Range: –55°C to +125°C
7. Aqueous wash compatible
8. Electrical and mechanical specifications 100% tested
9. RoHS Compliant Component

DOC. REV. A/5

XFMRs Inc.
www.XFMRs.com

Title:
2x6 STACKED COMBO SERIES

UNLESS OTHERWISE SPECIFIED
TOLERANCES:
.xxx ±0.010
Dimensions in Inch

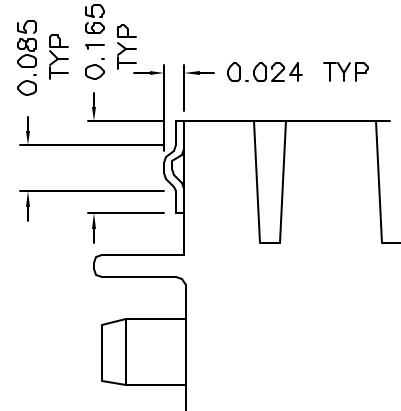
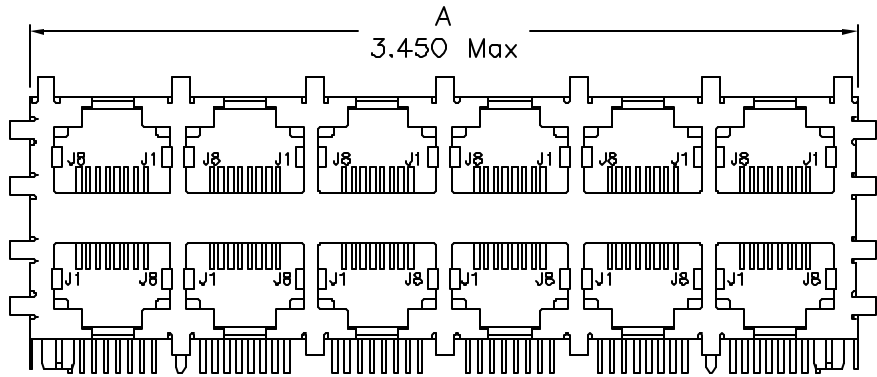
P/N:	XFATM8–STACK12–4	REV. A
DWN.	Juan Mao	May–05–06
CHK.	YK Liao	May–05–06
APP.	BW	May–05–06

SHEET 1 OF 2

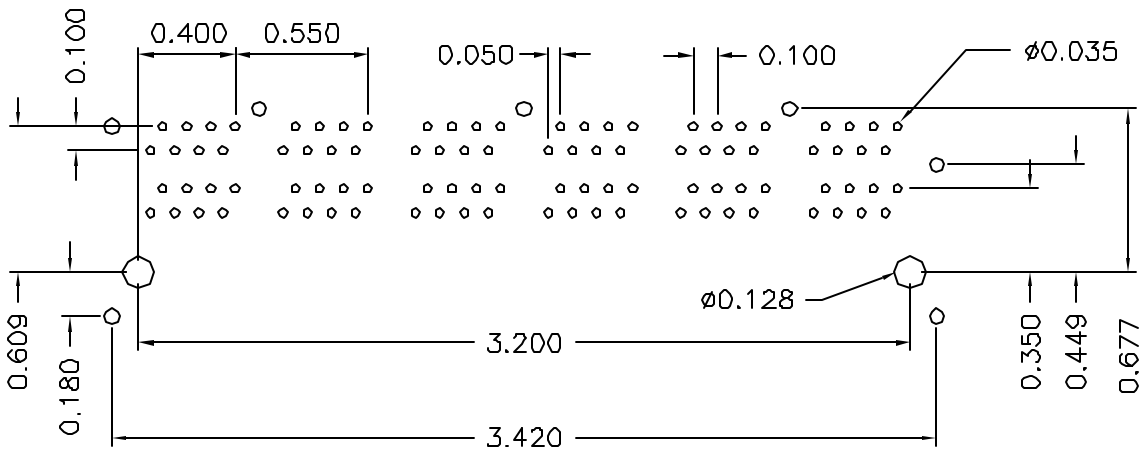
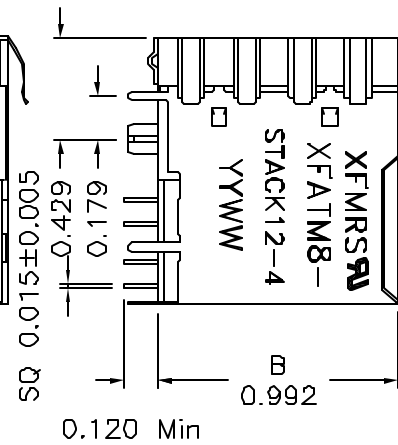
PROPRIETARY:

Document is the property of XFMRs Group & is not allowed to be duplicated without authorization.

Mechanical Dimensions:



DETAIL A



SUGGESTED MOUNTING PATTERN (COMPONENT SIDE)

DOC. REV. A/5

XFMRs Inc. www.XFMRS.com	Title: Mechanical Dimensions For 2x6 STACKED COMBO Series	
	P/N: XFATM8-STACK12-4	REV. A
UNLESS OTHERWISE SPECIFIED TOLERANCES: .xxx ±0.010 Dimensions in Inch	DWN. Juan Mao	May-05-06
SHEET 2 OF 2	CHK. YK Liao	May-05-06
	APP. BW	May-05-06

PROPRIETARY:

Document is the property of XFMRs Group & is not allowed to be duplicated without authorization.