

High Current Toroidal Inductor

**Low Loss Powdered Iron Cores, Low EMI
Toroidal Coils (TCTC)**

▶ Preview

Toroidal inductors and transformers are electronic components with the high performers among inductors, typically consisting of a circular ring-shaped magnetic core of iron powder, ferrite, or other material around which wire is coiled to make an inductor. Their windings cool better because of the proportionally larger surface area. Toroidal inductors with a round core cross section are better performers than toroidal inductors with a rectangular cross section.

Token's TCTC Toroidal Series manufactured by Low loss powdered iron cores offer the smallest size by volume and weight, and lower electromagnetic interference (EMI). Token toroidal can have higher Q factors and higher inductance than similarly constructed solenoid coils. This is due largely to the smaller number of turns required when the core provides a closed magnetic path. The magnetic flux in a toroid is largely confined to the core, preventing its energy from being absorbed by nearby objects, making toroidal cores essentially self-shielding. The TCTC series is suitable for a broad range of applications, such as high-frequency coils and transformers.

Full line products meet RoHS compliant. Token will also produce devices outside these specifications to meet specific customer requirements, please contact our sales for more information.

Features :

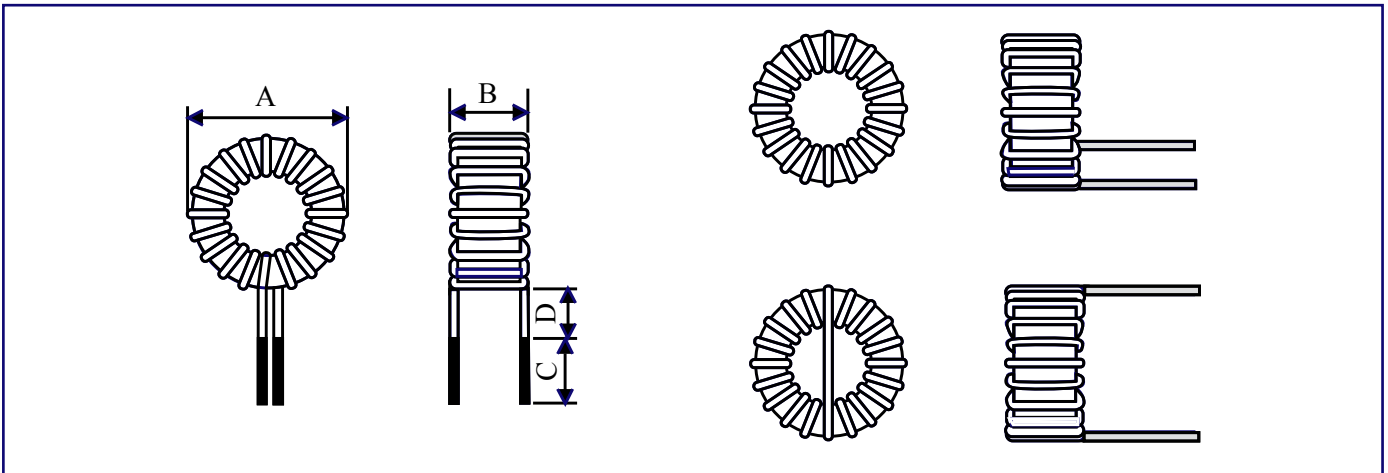
- Low EMI.
- Low Cost.
- High Current.

Applications :

- Notebook, Inkjet Printer, Copying Machine,
- Copying Machine, Display Monitor, ADSL Modem,
- Color TV, Video Camera, Air Conditioner, Refrigerator,
- Laundry Machine, Microwave Oven and Car Electronics, etc..



Configurations & Dimensions



Part Number	Dimensions (mm)					Turns	Inductance L (μH)	RDC (mΩ)
	A max.	B max.	C max.	D max.	Wire Dia.			
TCTC1005IR-330-J	12.0	7.0	25.0	3.0	Φ0.4	25	33	59
TCTC1104IR-300-J	13.5	7.5	25.0	3.0	Φ0.4	25	30	62
TCTC1305IR-330-J	15.5	8.5	25.0	3.0	Φ0.4	28	33	71
TCTC1306IR-300-J	17.0	9.5	25.0	3.0	Φ0.6	26	30	30
TCTC1506IR-330-J	19.0	10.0	25.0	3.0	Φ0.6	24	33	40
TCTC1806IR-390-J	21.0	10.0	25.0	3.0	Φ0.6	25	39	33
TCTC2006IR-430-J	25.0	11.0	25.0	3.0	Φ0.8	29	43	31
TCTC2310IR-960-J	27.0	13.5	25.0	3.0	Φ0.8	30	96	42
TCTC2711IR-121-J	32.0	17.0	25.0	3.0	Φ1.0	30	120	37
TCTC3311IR-141-J	40.0	17.0	25.0	3.0	Φ1.0	40	140	37

Note: Design as Customer's Requested Specifications.

How to Order



- ❶ Part Number: TCTC
- ❷ Core Size
- ❸ Core Type
- ❹ Inductance

Code	Inductance
330	33μH
121	120μH

- ❺ Tolerance

Code	Tolerance
J	5%
K	10%
L	15%
M	20%
N	30%
Y	minS

[Back to 1st Page - Toroidal Inductors \(TCTC\)](#)