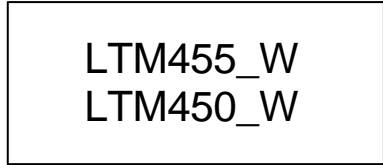


LTM455_W & LTM450_W Series Ceramic Filter

LTM455_W and LTM450_W series ceramic filters are widely used in telecommunication, cable, radar, TV set, tape recorder, video camera and other electronic products due to its lower price and stable performances.



Specifications:

Frequency Range (fc):

LTM455_W Series: 455KHz

LTM450_W Series: 450KHz

Operating Temperature: -20°C ~ +80°C Standard

Storage Temperature: -40°C ~ +85°C

6dB Bandwidth and Attenuation Bandwidth:

B:	± 15KHz	± 30KHz
C:	± 12.5KHz	± 24KHz
D:	± 10KHz	± 20KHz
E:	± 7.5KHz	± 15KHz
F:	± 6KHz	± 12.5KHz
G:	± 4.5KHz	± 10 KHz
H:	± 3KHz	± 9KHz
I:	± 2KHz	± 7.5KHz

Attenuation Specified: 50dB min

Stop Band Attenuation: 40dB min (at fc ± 100KHz)

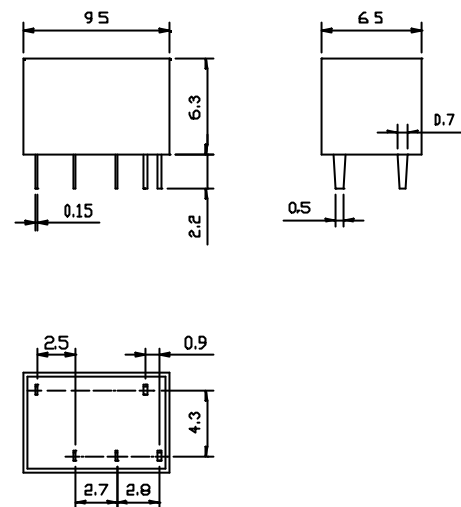
Insertion Loss: 4.0dB max (B,C,D)
6.0dB max (E,F,G,H,I)

Input/Output Impedance: 1.5KΩ (B,C,D,E)
2.0KΩ (F,G,H,I)

Note:

- Other frequencies, bandwidth ranges available. Consult VTC Support for specific requirements.
- Not all combinations of the above bandwidth ranges are available. Consult VTC Support if your requirement is not standard.
- All specifications subject to change without notice.

LTM_W Series



All dimensions are in mm

Ordering Information

Product name + Frequency + Bandwidth Code.

i.e. LTM455BW