



CONNOR-WINFIELD CORPORATION

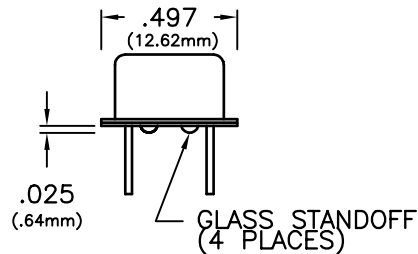
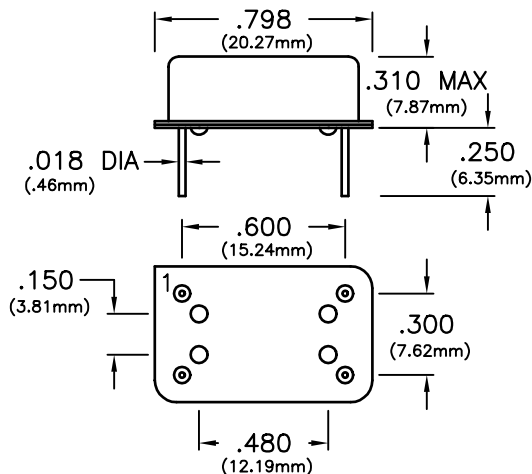
AURORA, IL. 60505

PHONE (630) 851-4722

FAX (630) 851-5040

VCXO WITH INTERNAL VOLTAGE REGULATION

SPECIFICATIONS	HVR54-200SP		
Frequency Range (Fo)	51.84MHz		
Frequency vs Temperature Relative to frequency at 2.5V Pin 1, 25°C	±20ppm (Inclusive of calibration @ 25°C, temperture, supply voltage, load variation, and aging.)		
Temperature Range	0°C to +70°C		
Output	Waveform	HCMOS/TTL Squarewave	
	Load	10TTL OR 50pF	
	Voltage	Voh	3.5V Minimum
		Vol	0.4V Maximum
	Current	Ioh	-16mA
		Iol	16mA
	Duty Cycle	45/55 Maximum at 1.5Vdc	
Rise/Fall Time	5nS Maximum		
Jitter (RMS)	10pS Maximum		
Frequency Control	Pullability (Relative to Fo)	±100ppm Minimum	
	Slope	Positive	
	Control Voltage	0.5Vdc to 4.5Vdc	
	Monotonic Linearity	< ±10%	
	Input Impedance	≥ 50K ohms	
	Modulation Bandwidth	≥ 15KHz	
Supply Voltage	+5Vdc ±10% (VCXO is internally regulated to 4.2Vdc)		
Supply Current	50mA Maximum		
Package	All metal, hermetically sealed, welded package		



PIN	CONNECTION
1	CONTROL VOLTAGE
7	GROUND (CASE)
8	OUTPUT
14	(+) SUPPLY

Dimensional Tolerance ±.005

Specifications subject to change without notice

BULLETIN #: VX203
PAGE 1 OF 1

REV: 01
DATE: 7/9/97

ISSUED BY: _____