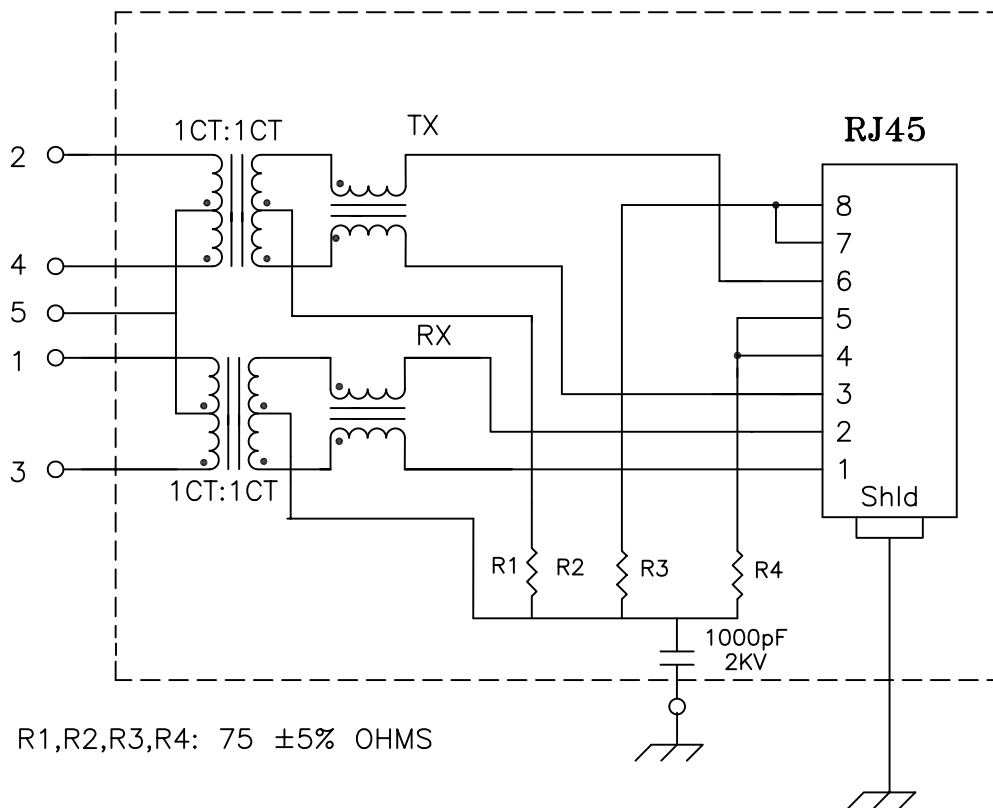


Schematic: (one of eight)



Electrical Specifications: @25°C

Isolation Voltage: 1500 Vrms (Input to Output)
 Isolation Voltage: 500 Vrms (P1+2+3 to P4+5+6)
 Turns Ratio: TX 1CT:1CT ±3% RX 1CT:1CT ±3%
 CABLE SIDE OCL: 350uH Minimum @100KHz 100mV 8mADC
 Cw/w: 27pF Typical @100KHz 100mV
 Insertion Loss (300KHz-100MHz): -1.0dB Maximum
 Return Loss: @30MHz -18dB Minimum
 @80MHz -12dB Minimum

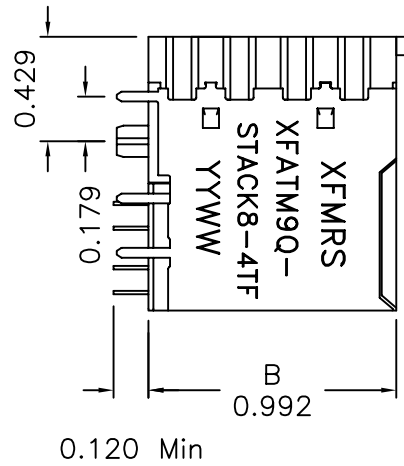
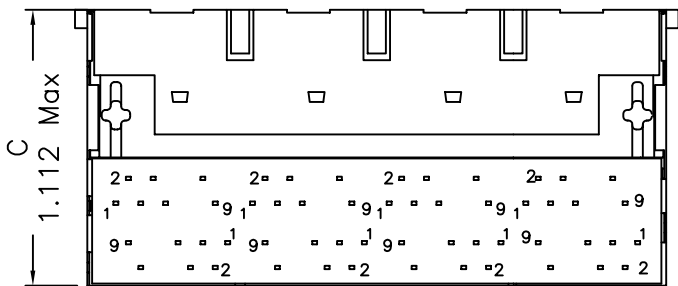
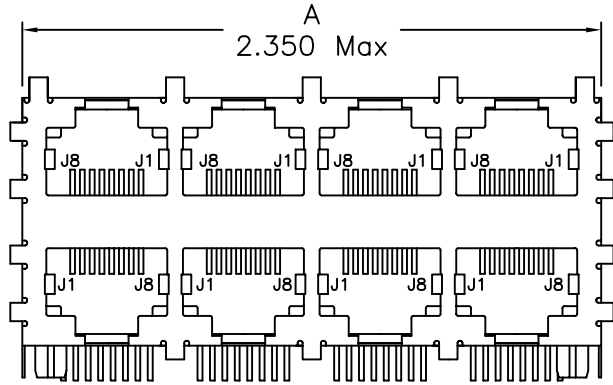
Notes:

1. Solderability: Leads shall meet MIL-STD-202, Method 208D for solderability.
2. Flammability: UL94V-0
3. ASTM oxygen index: > 28%
4. Insulation System: Class F 155°C. UL file E151556
5. Operating Temperature Range: All listed parameters are to be within tolerance from -40°C to +85°C
6. Storage Temperature Range: -55°C to +125°C
7. Aqueous wash compatible

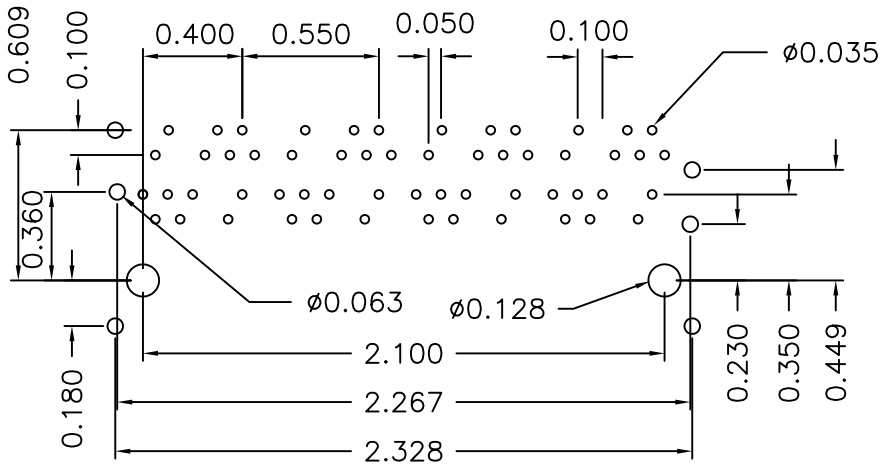
DOC REV: A/2

XFMRs Inc.		Title: 2X4 PORT COMBO	
UNLESS OTHERWISE SPECIFIED		P/N: XFATM9Q-STACK8-4TF	REV. A
TOLERANCES: .xxx ±0.010		DWN. 刘鹏	Jun-06-03
Dimensions in Inch		CHK. 李小锋	Jun-06-03
SHEET 1 OF 2		APP. Isaiah M	Jun-06-03

Mechanical Dimensions:



Remove Pins: 6, 7, and 10
 Remove Rear Shield Ground Tabs



SUGGESTED MOUNTING PATTERN (COMPONENT SIDE)

DOC REV: A/2

XFMRs Inc.		Title: Mechanical Dimensions For 2x4 STACKED COMBO Series	
UNLESS OTHERWISE SPECIFIED TOLERANCES: .xxx ±0.010 Dimensions in Inch	P/N: XFATM9Q-STACK8-4TF	REV. A	
	DWN.	刘鹏	Jun-06-03
	CHK.	李小锋	Jun-06-03
	APP.	Isaiah M	Jun-06-03
SHEET 2 OF 2			