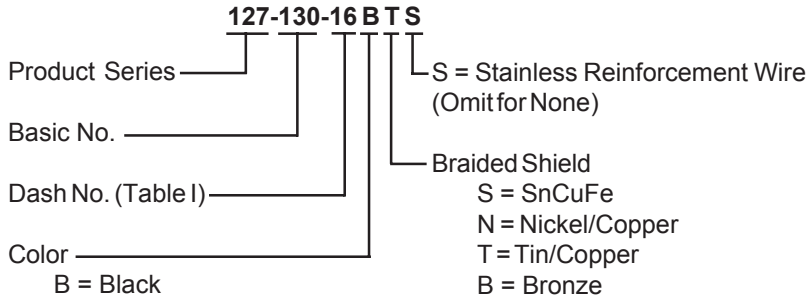


127-130
Series 74 Reinforced Helical Convuluted Tubing
No-Hal (PEEK)
with Shielding and Jacketing



No-Hal
Tubing



**NO-HAL
 TUBING
 EXTERNAL
 SHIELD,
 JACKET
 AND
 REINFORCEMENT
 WIRE**

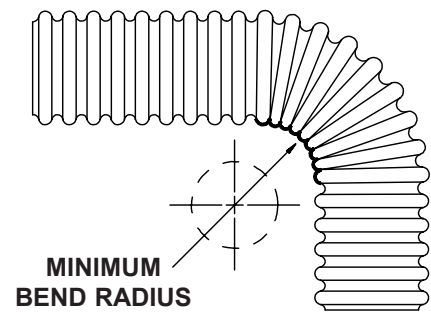
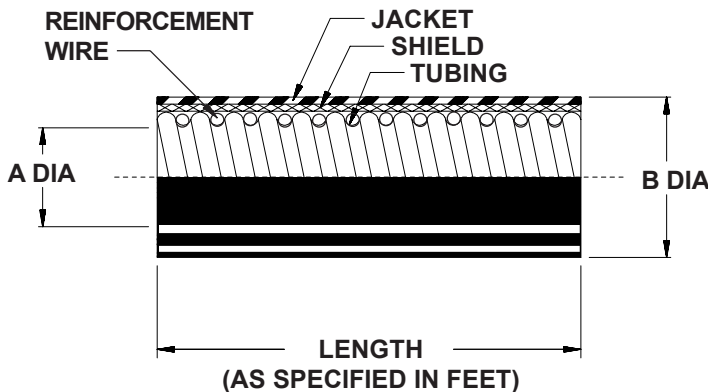


TABLE I: DASH NUMBER

DASH NO.	FRACTIONAL SIZE REF	A INSIDE DIA MIN	B DIA MAX	MINIMUM BEND RADIUS
06	3/16	.181 (4.6)	.490 (12.4)	.50 (12.7)
09	9/32	.273 (6.9)	.584 (14.8)	.75 (19.1)
10	5/16	.306 (7.8)	.620 (15.7)	.75 (19.1)
12	3/8	.359 (9.1)	.680 (17.3)	.88 (22.4)
14	7/16	.427 (10.8)	.741 (18.8)	1.00 (25.4)
16	1/2	.480 (12.2)	.820 (20.8)	1.25 (31.8)
20	5/8	.603 (15.3)	.940 (23.9)	1.50 (38.1)
24	3/4	.725 (18.4)	1.100 (27.9)	1.75 (44.5)
28	7/8	.860 (21.8)	1.243 (31.6)	1.88 (47.8)
32	1	.970 (24.6)	1.396 (35.5)	2.25 (57.2)
40	1 1/4	1.205 (30.6)	1.709 (43.4)	2.75 (69.9)
48	1 1/2	1.437 (36.5)	2.002 (50.9)	3.25 (82.6)
56	1 3/4	1.688 (42.9)	2.327 (59.1)	3.63 (92.2)
64	2	1.937 (49.2)	2.502 (63.6)	4.25 (108.0)

1. Packages and Spools identified with manufacturer's name and part number.
2. Unless otherwise specified, conduit will be shipped per standard package. Min. length supplied will be 10 ft. with a max of 4 lengths per package.
3. Material/Finish:
 Convuluted Tubing - PEEK, Halogen Free, Black
 Braided Shield - See Part Number Development.
 Jacket - Silicone, Halogen Free, Grey .080 Wall Thickness.
 Reinforcement Wire - 302 Cres I.A.W. ASTM A 313/N.A.

Metric dimensions (mm) are in parentheses.