

S20LC20UST

200V 20A

特長

- 低ノイズ
- $t_{rr}=25\text{ns}$
- θ_{jc} が小さい

Feature

- Low Noise
- $t_{rr}=25\text{ns}$
- Small θ_{jc}

用途

- スイッチング電源
- フライホール
- 家電、OA
- FA

Main Use

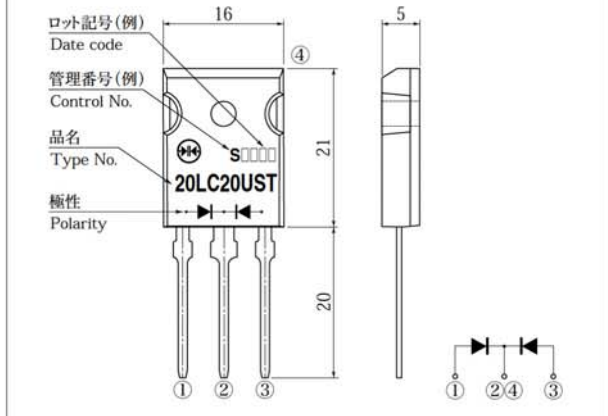
- Switching Regulator
- Fly Wheel
- Home Appliance, Office Automation
- Factory Automation

■外観図 OUTLINE

Package : MTO-3PT

Unit:mm

Weight 5.2g (Typ)



外形図については新電元Webサイトをご参照下さい。捺印表示については捺印仕様をご確認下さい。

For details of the outline dimensions, refer to our web site. As for the marking, refer to the specification "Marking, Terminal Connection".

■定格表 RATINGS

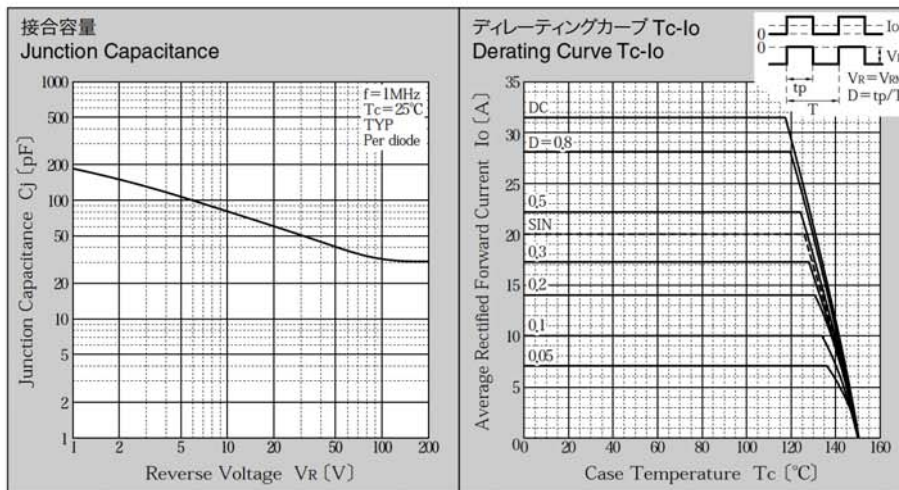
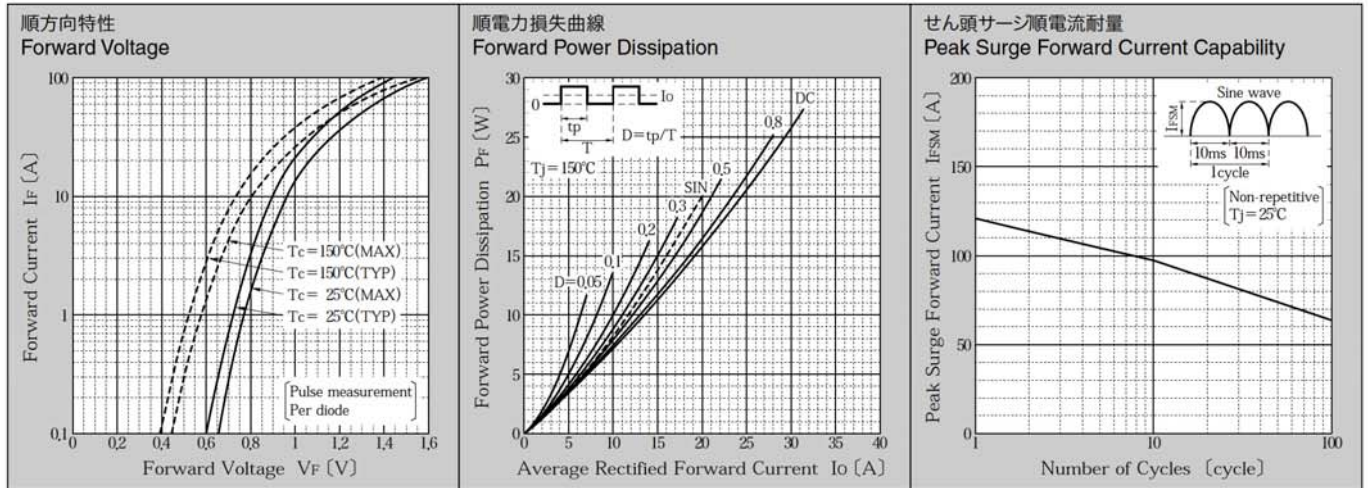
●絶対最大定格 Absolute Maximum Ratings (指定のない場合 $T_c = 25^\circ\text{C}$ /unless otherwise specified)

| 項目 Item | 記号 Symbol | 条件 Conditions | 品名 Type No. | S20LC20UST | 単位 Unit |
|---|--------------|--|----------------|------------|-------------------------|
| 保存温度 Storage Temperature | T_{stg} | | | -55~150 | $^\circ\text{C}$ |
| 接合部温度 Operation Junction Temperature | T_j | | | 150 | $^\circ\text{C}$ |
| せん頭逆電圧 Maximum Reverse Voltage | V_{RM} | | | 200 | V |
| 出力電流 Average Rectified Forward Current | I_o | 50Hz正弦波, 抵抗負荷, フィン付き, 1素子当りの出力電流平均値 $I_o/2$, $T_c = 126^\circ\text{C}$ 50Hz sine wave, Resistance load, With heatsink, Per diode $I_o/2$, $T_c = 126^\circ\text{C}$ | | 20 | A |
| せん頭サージ順電流 Peak Surge Forward Current | I_{FSM} | 50Hz正弦波, 非繰り返し1サイクルせん頭値, $T_j = 25^\circ\text{C}$ 50Hz sine wave, Non-repetitive 1 cycle peak value, $T_j = 25^\circ\text{C}$ | | 120 | A |
| 締め付けトルク Mounting Torque | TOR | (推奨値: $0.5\text{N}\cdot\text{m}$) (Recommended torque: $0.5\text{N}\cdot\text{m}$) | | 0.8 | $\text{N}\cdot\text{m}$ |

●電氣的・熱的特性 Electrical Characteristics (指定のない場合 $T_c = 25^\circ\text{C}$ /unless otherwise specified)

| 項目 Item | 記号 Symbol | 条件 Conditions | 品名 Type No. | S20LC20UST | 単位 Unit |
|--------------------------------|---------------|---|----------------|------------|---------------------------|
| 順電圧 Forward Voltage | V_F | $I_F = 10\text{A}$, パルス測定, 1素子当りの規格値 Pulse measurement, Per diode | | MAX 0.96 | V |
| 逆電流 Reverse Current | I_R | $V_R = V_{RM}$, パルス測定, 1素子当りの規格値 Pulse measurement, Per diode | | MAX 10 | μA |
| 逆回復時間 Reverse Recovery Time | t_{rr} | $I_F = 0.5\text{A}$, $I_R = 1.0\text{A}$, 1素子当りの規格値 Per diode | | MAX 25 | ns |
| 接合容量 Junction Capacitance | C_j | $f = 1\text{MHz}$, $V_R = 10\text{V}$ | | TYP 80 | pF |
| 熱抵抗 Thermal Resistance | θ_{jc} | 接合部・ケース間 Junction to case | | MAX 1.2 | $^\circ\text{C}/\text{W}$ |

■特性図 CHARACTERISTIC DIAGRAMS



* Sine waveは50Hzで測定しています。
* 50Hz sine wave is used for measurements.
* 半導体製品の特性は一般的にバラツキを持っています。
* Typical is statistical average of the device's ability.
* Semiconductor products generally have characteristic variation.
* Typical is a statistical average of the device's ability.