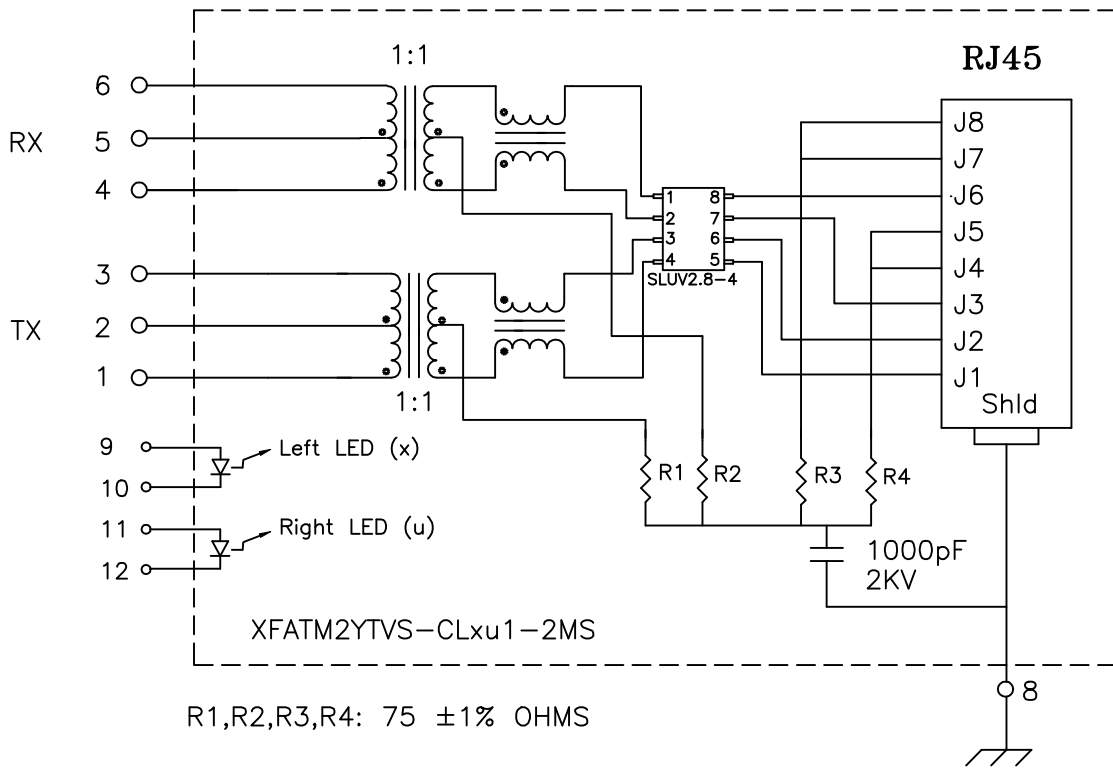


## Schematic:



## Electrical Specifications: @25°C

Isolation Voltage: 1500 Vac

Isolation Voltage: 500 Vac (1+2+3+4+5+6)

UTP SIDE OCL: 350uH Min @100KHz 100mV 8mADC

Leakage Inductance: P6-P4 0.3uH Max @1MHz 100mV Short J6 and J3

Leakage Inductance: P3-P1 0.3uH Max @1MHz 100mV Short J2 and J1

Cww: (P6, P5, & P4) to (J6 & J3) 30pF Max @1MHz

Cww: (P3, P2, & P1) to (J2 & J1) 30pF Max @1MHz

DCR: (J6-J3) = (J2-J1) 1.2 Ohms Max

Rise Time (10-90%): 2.5ns Typ

Insertion Loss (100KHz-100MHz): -1.2dB Max

Return Loss: -18dB Min @1MHz - 30MHz

Return Loss: -12dB Min @60MHz - 80MHz

Crosstalk: 30dB Typ @1MHz to 100MHz

Common Mode to Differential Mode Rejection:

1MHz-100MHz -35dB Typ (Tx) / -35dB Typ (Rx)

Complete the Combo P/N as follows:

Replace 'x' & 'u' in the part number with one of the four LED color letters:

'x' = Left LED Color      Y=Yellow  
'u' = Right LED Color    G=Green  
                                  A=Amber  
                                  R=Red

DOC. REV: A/1

<b>XFMRs Inc.</b> UNLESS OTHERWISE SPECIFIED TOLERANCES: .xxx ±0.010 Dimensions in Inch SHEET 1 OF 2	Title: <b>SINGLE PORT COMBO</b>	
	P/N: XFATM2YTVS-CLxu1-2MS	REV. A
	DWN.      李小锋	Feb-24-03
	CHK.      廖玉坤	Feb-24-03
APP.	BW	Feb-24-03

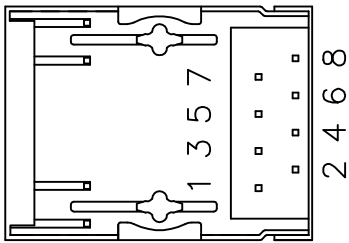
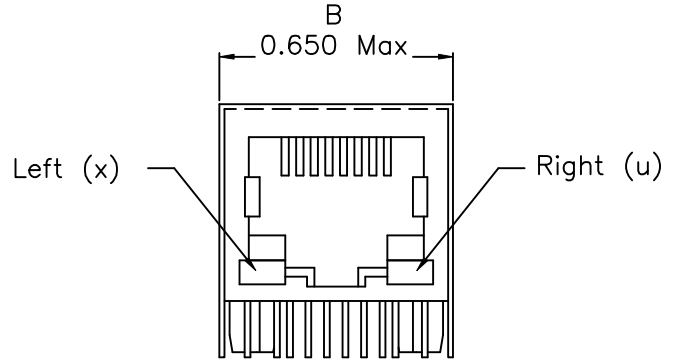
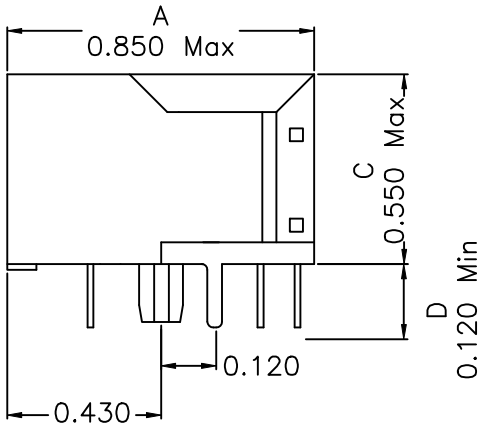
**Mechanical Dimensions:**

XFMRS  
 XFATM2YTVS-  
 CLxu1-2MS  
 YYWW

Complete the Combo P/N as follows:

Replace 'x' & 'u' in the part number with one of the four LED color letters:

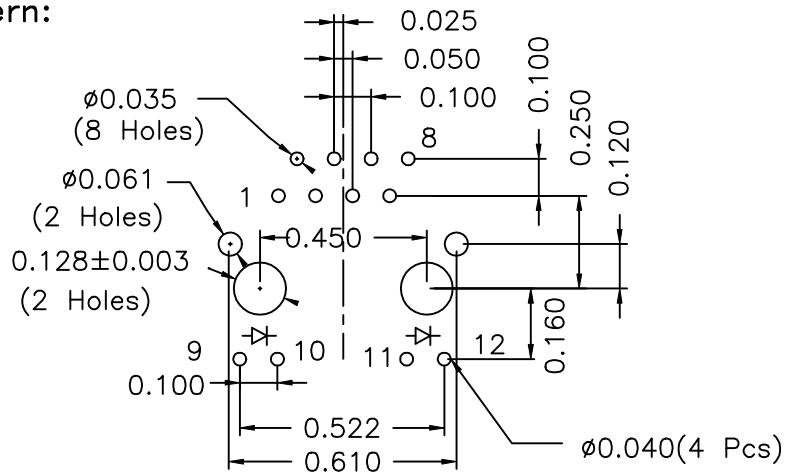
'x' = Left LED Color	Y=Yellow
'u' = Right LED Color	G=Green
	A=Amber
	R=Red



(BOTTOM VIEW)

**Mounting Pattern:**

(COMP SIDE)



<b>XFMRS Inc.</b>	Title: Mechanical Dimensions For CLxu1-2MS Series	
	UNLESS OTHERWISE SPECIFIED TOLERANCES: .xxx ±0.010 Dimensions in Inch	P/N: XFATM2YTVS-CLxu1-2MS
SHEET 2 OF 2	REV. A	
	DWN.	李小锋
	CHK.	廖玉坤
APP.	BW	Feb-24-03