

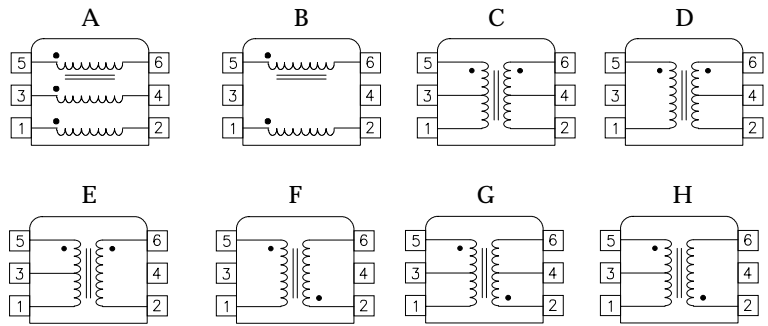
Single T1/CEPT Transformers

(Small Footprint)

For T1/CEPT Telecom Applications

Designed to meet CCITT & FCC Requirements

1500 VRMS Minimum Isolation

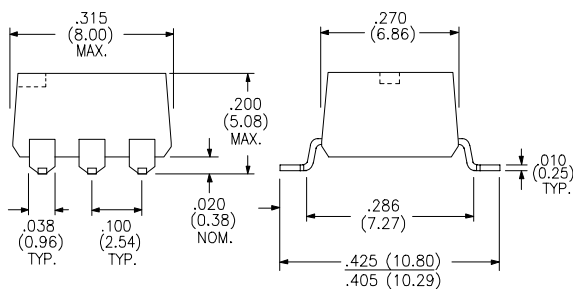


Electrical Specifications ¹ at 25°C

Thru-hole Part Number	SMD Part Number	Turns Ratio (± 5 %)	OCL min. (mH)	PRI-SEC C _{wv} max. (pF)	Leakage L _L max. (µH)	Pri. DCR max. (Ω)	Sec. DCR max. (Ω)	Schem. Style	Primary Pins
T-14700	T-14700G	1:1:1	1.2	50	0.5	0.8	0.8	A	
T-14701	T-14701G	1:1:1	2.0	40	0.5	0.7	0.7	A	
T-14702	T-14702G	1CT:3CT	1.2	50	0.5	0.7	1.6	C	1-5
T-14703	T-14703G	1:1	1.2	30	0.5	0.7	0.7	B	
T-14704	T-14704G	1:1CT	0.06	23	.75	0.6	0.6	E	2-6
T-14705	T-14705G	1CT:1	1.2	25	0.8	0.7	0.7	E	1-5
T-14706	T-14706G	1:1.26CT	0.06	25	0.75	0.6	0.6	E	2-6
T-14707	T-14707G	1CT:2CT	1.2	30	0.55	0.7	1.1	C	1-5
T-14708	T-14708G	2CT:1CT	2.0	45	0.6	1.0	0.7	C	1-5
T-14709	T-14709G	2.53CT:1	2.0	25	1.5	1.0	0.7	E	1-5
T-14710	T-14710G	1:1.36	1.5	40	0.5	0.7	1.0	B	5-6
T-14711	T-14711G	1:1:1	1.2	50	0.5	0.8	0.8	A	
T-14712	T-14712G	1:2CT	1.2	50	0.5	1	1.4	E	2-6
T-14713	T-14713G	1:2CT	2.0	45	0.8	2	2.4	E	2-6
T-14714	T-14714G	1:4CT	0.5	40	1.0	0.5	1.5	D	1-5
T-14715	T-14715G	1:1.14CT	1.5	40	0.5	0.7	0.9	D	1-5
T-14716	T-14716G	1:0.575:0.575	1.5	25	0.8	0.7	0.5	A	5-6
T-14717	T-14717G	1:1 / 1.26 ⁽²⁾	1.5	35	0.4	0.7	0.9	E	2-6 ⁽³⁾
T-14718	T-14718G	1:0.5:0.5	1.5	25	1.2	0.7	0.5	A	5-6
T-14719	T-14719G	1:0.633:0.633	1.5	20	1.1	0.7	0.5	A	5-6
T-14720	T-14720G	1:2.3CT	1.2	50	0.8	0.8	1.8	D	1-5
T-14721	T-14721G	1:1.36CT	1.5	40	0.5	0.7	1.0	D	1-5
T-14722	T-14722G	1CT:1CT	1.2	50	0.8	0.8	0.8	C	
T-14723	T-14723G	1:1.15CT	1.2	50	0.5	0.8	0.8	E	2-6
T-14724	T-14724G	1CT:2CT	1.2	50	0.8	0.8	1.8	C	2-6
T-14725	T-14725G	1:1	1.2	30	0.5	0.7	0.7	F	
T-14726	T-14726G	1.37:1	1.2	40	0.5	0.8	0.7	F	1-5
T-14725	T-14725G	1CT:1	1.2	50	0.8	0.8	0.8	H	1-5
T-14726	T-14726G	1:1.36	1.5	50	0.5	0.7	0.9	F	1-5
T-14727	T-14727G	1CT:2CT	1.5	35	0.8	0.7	1.4	G	1-5
T-14728	T-14728G	1:1.15CT	1.2	50	0.5	0.8	0.8	H	2-6
T-14729	T-14729G	1:1:1.266	1.5	45	0.4	0.7	0.9	A	1-2

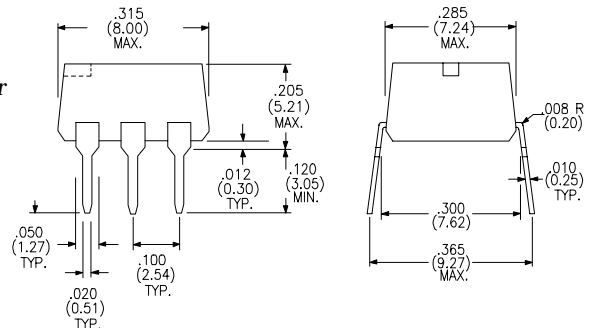
- OCL Measured across Primary @ 100 kHz & 20mV
- T-10717: Sec. = Pins 3-5 for 75Ω, Sec. = Pins 1-5 for 120Ω.

Physical Dimensions inches (mm)



Thru-hole Package for T-147XX

SMD Package for T-147XXG



Specifications subject to change without notice.

For other values & Custom Designs, contact factory.

T1-D3 - 9/97