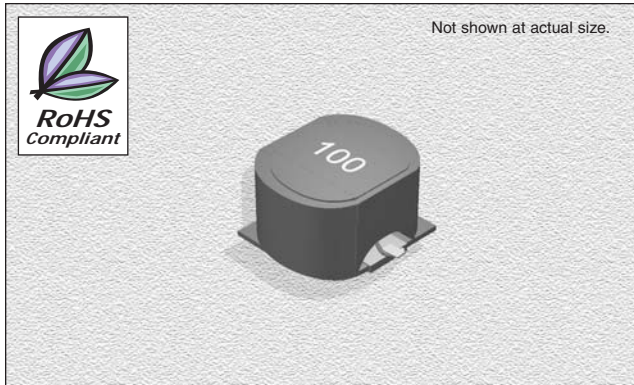


CTSDB1105F Series

From 10 μ H to 1500 μ H

SPECIFICATIONS

Parts are only available in $\pm 20\%$ inductance tolerance.



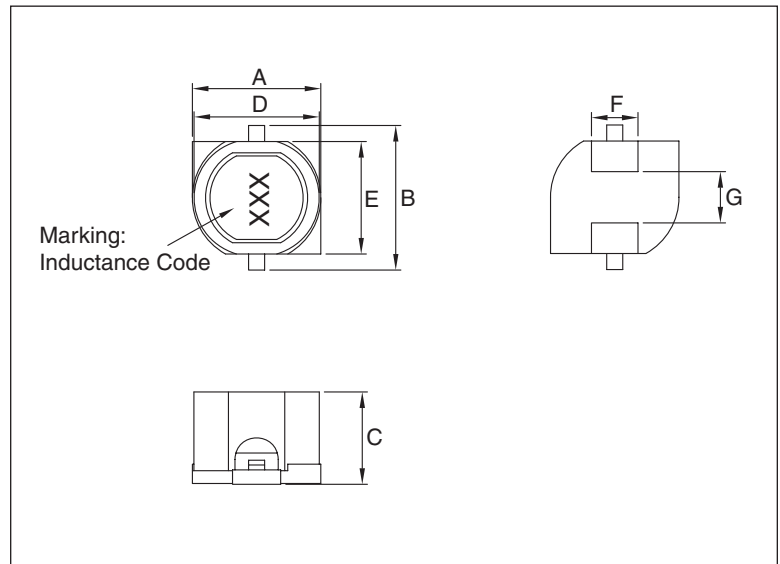
Part Number	Inductance (μ H)	L Test Freq. (kHz)	DCR Max. (Ω)	Rated DC (A)
CTSDB1105F-100M	10	1.0	0.05	2.50
CTSDB1105F-120M	12	1.0	0.05	2.40
CTSDB1105F-150M	15	1.0	0.06	2.30
CTSDB1105F-180M	18	1.0	0.07	2.20
CTSDB1105F-220M	22	1.0	0.08	2.10
CTSDB1105F-270M	27	1.0	0.10	2.00
CTSDB1105F-330M	33	1.0	0.10	1.90
CTSDB1105F-390M	39	1.0	0.12	1.80
CTSDB1105F-470M	47	1.0	0.14	1.60
CTSDB1105F-560M	56	1.0	0.15	1.40
CTSDB1105F-680M	68	1.0	0.18	1.30
CTSDB1105F-820M	82	1.0	0.20	1.20
CTSDB1105F-101M	100	1.0	0.25	1.10
CTSDB1105F-121M	120	1.0	0.30	0.97
CTSDB1105F-151M	150	1.0	0.35	0.86
CTSDB1105F-181M	180	1.0	0.40	0.84
CTSDB1105F-221M	220	1.0	0.50	0.72
CTSDB1105F-271M	270	1.0	0.60	0.65
CTSDB1105F-331M	330	1.0	0.70	0.61
CTSDB1105F-391M	390	1.0	0.80	0.58
CTSDB1105F-471M	470	1.0	0.90	0.50
CTSDB1105F-561M	560	1.0	1.10	0.48
CTSDB1105F-681M	680	1.0	1.20	0.43
CTSDB1105F-821M	820	1.0	1.50	0.38
CTSDB1105F-102M	1000	1.0	2.00	0.35
CTSDB1105F-122M	1200	1.0	2.20	0.32
CTSDB1105F-152M	1500	1.0	2.50	0.30

CHARACTERISTICS

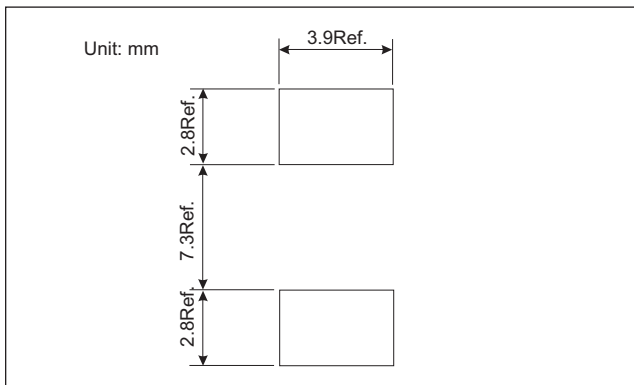
- Description:** SMD (shielded) power inductor
- Applications:** Switching power supplies, RFI/EMC filtering
- Operating Temperature:** -25°C to $+75^{\circ}\text{C}$
- Storage Temperature:** -40°C to $+125^{\circ}\text{C}$
- Inductance Tolerance:** $\pm 20\%$
- Testing:** Inductance is tested on an HP4284A at 1kHz
- Packaging:** Tape & Reel
- Marking:** Marked with inductance code
- Rated DC:** Based on temperature rise & $\Delta L / L0A = 10\%$ typ.
- Miscellaneous:** **RoHS Compliant**
- Additional Information:** Additional electrical & physical information available upon request
- Samples available. See website for ordering information.**

PHYSICAL DIMENSIONS

Size	A	B	C	D	E	F	G
		Max.		Ref.	Ref.		
mm	12.7 \pm 0.3	15.0	5.7 \pm 0.3	12.6	11.6	3.0 \pm 0.2	8.2 \pm 0.3
inches	0.50 \pm 0.012	0.59	0.22 \pm 0.012	0.49	0.47	0.12 \pm 0.008	0.32 \pm 0.012



RECOMMENDED LAND PATTERN



07.27.06