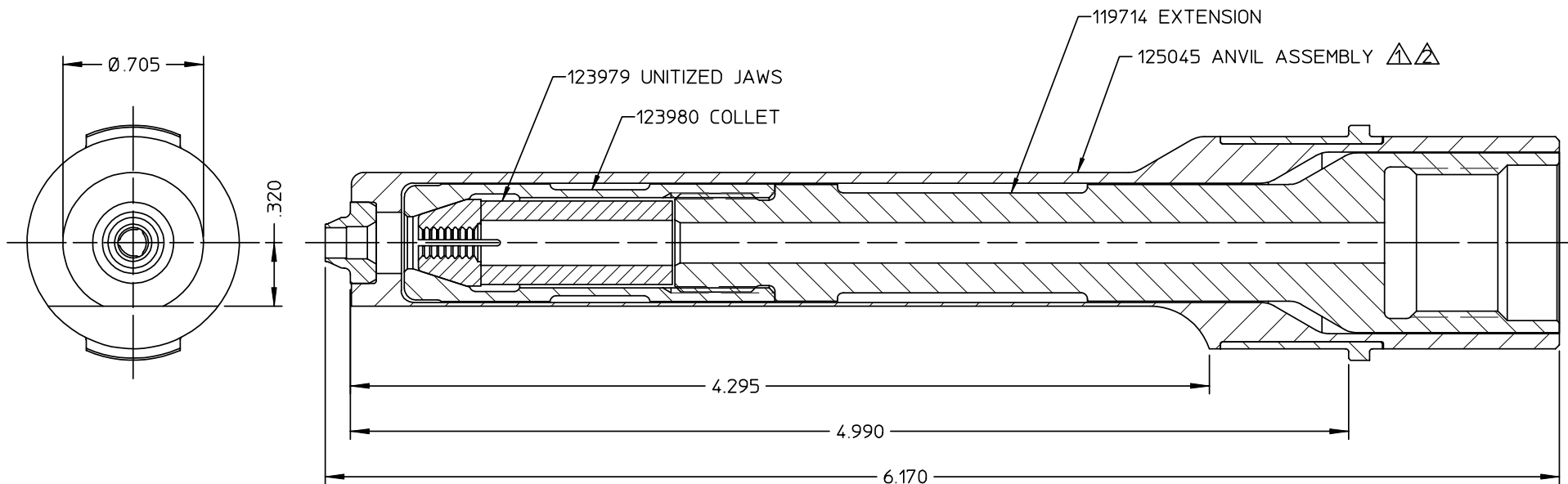


# DATA SHEET



**Alcoa Fastening Systems**

Commercial Products  
1 Corporate Drive, Kingston, NY 12401

99-2711	Part Number	<b>Alcoa Fastening Systems</b>	
		Commercial Products	
		1 Corporate Drive, Kingston, NY 12401	
		TYPE:	NON-SELF-RELEASING
		FASTENER:	-06 BB
TOOL(S):	245, 353		
Notes:		Product Revision:	<b>A</b>
US Patent:		Date:	07/07/03

NOTES:

- △ ANVIL ASSEMBLY 125045 CONSISTS OF:  
ANVIL HOLDER ASSEMBLY 125044,  
ANVIL INSERT 119376.
- △ ANVIL HOLDER ASSEMBLY 125044 CONSISTS OF:  
ANVIL HOLDER 125043,  
RETAINER 120738.