

O/E/N 35H

HEAVY DUTY AUTOMOTIVE POWER RELAY

FEATURES

- Direct PCB Mountable
- Cost Effective
- Suitable for various loads
- Miniature Size
- Heavy Duty

APPLICATION

- Direction Indicators
- Air-Conditioning Systems
- Wiper Controls
- Head Lamp Control
- Starter Motors
- Ventilation Motors

TECHNICAL DATA FOR CONTACT SIDE :

Model	35HA	35HB
Areas of Application	RESISTIVE / INDUCTIVE LOAD	HEAD LAMP / CAPACITIVE LOADS
Contact Configuration	1A	1A
Contact Material	Silver Cadmium Oxide	Silver Tin Oxide
Contact Rating at 23°C - 12VDC	40A (Res.)	40A (Lamp)
24VDC	20A (Res.)	20A (Lamp)
Electrical Life Operations Min.	1 x 10 ⁵	1 x 10 ⁵
Mechanical Life Operations Min.	1 x 10 ⁷	1 x 10 ⁷
Contact Voltage Drop at 10 A (Min)	60mV	60mV
Maximum Switching Current @ 12.8 VDC For 3 Sec.	150A	150A

GENERAL DATA FOR COIL SIDE

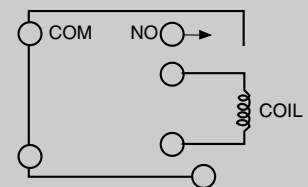
Nominal Coil Power	: 1.6W (Approx)
Operating Power	: 0.9W (Approx)
Operate Time*	: 10 milli Seconds
Release Time*	: 5 milli Seconds

* At nominal voltage without coil suppression (excluding bounce)

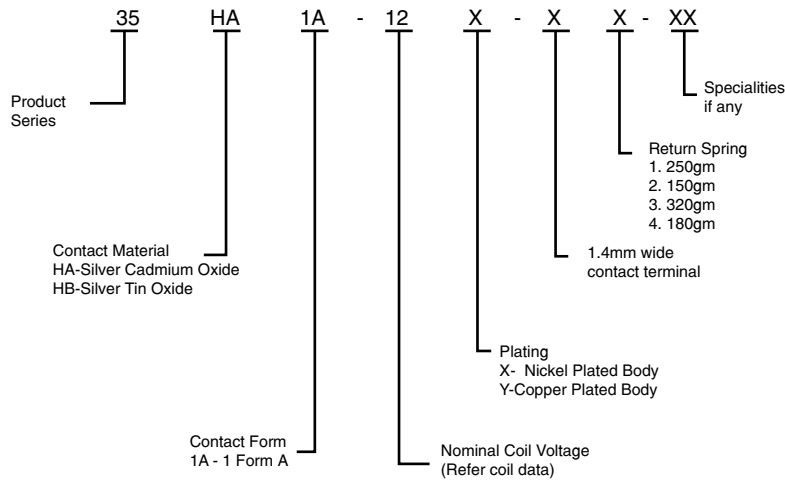
OPERATING CONDITIONS

Ambient Temperature	: -40°C to +85°C
Maximum Temperature	: 155°C
Dielectric Strength	: 500VRMS
Insulation Resistance	: 100 Meg. Ohms Min. At 500 VDC, 25°C RH 50
Vibration Resistance (with out change in the switching state > 10μS)	: 10-100Hz 20 - 40g
Shock Resistance (with out change in the switching state > 10μS)	: 30g, 8mS

CIRCUIT DIAGRAM



HOW TO ORDER

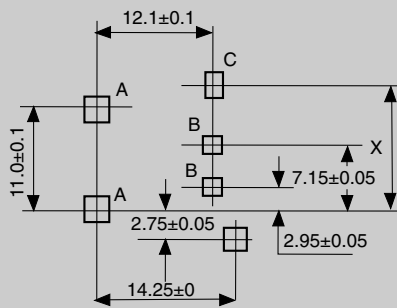


COIL DATA

Nominal Voltage VDC	**Pick-up Voltage VDC (Max)	Drop-out Voltage VDC (Min)	Coil Resistance Ohms $\pm 10\%$
6	5	0.6	35
9	7	0.9	55
12	9	1.2	88
18	14	1.8	260
24	18	2.4	400
48	36	4.8	1700

**Lower pick-up Voltages available on request

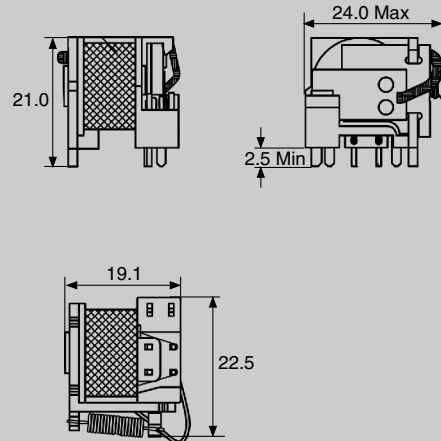
DRILLING PATTERN



DIM - X	SLOT - A	SLOT - B	SLOT - C
13.15±0.1	1.7±0.1 SQ	1.1±0.1 SQ	2±0.1 x 1.1±0.1

Note:
For holes in place of slots use $\varnothing 2.3$ holes instead of slots A & $\varnothing 1.3$ holes instead of slots B & $\varnothing 2.1$ holes instead of slots C

DIMENSIONS



AVAILABLE ON REQUEST

- Special coil resistance & pick-up
- Extra Braided wire
- High Temperature winding wire
- For other custom solutions consult factory