

The revision list can be viewed directly by clicking the title page.

The revision list summarizes the locations of revisions and additions. Details should always be checked by referring to the relevant text.

32

H8SX/1582

Hardware Manual

Renesas 32-Bit CISC Microcomputer
H8SX Family / H8SX/1500 Series

H8SX/1582

R5F61582

Hardware Manual

Rev.2.00
Revision Date: Mar. 15, 2006

RenesasTechnology
www.renesas.com

Keep safety first in your circuit designs!

1. Renesas Technology Corp. puts the maximum effort into making semiconductor products better and more reliable, but there is always the possibility that trouble may occur with them. Trouble with semiconductors may lead to personal injury, fire or property damage.
Remember to give due consideration to safety when making your circuit designs, with appropriate measures such as (i) placement of substitutive, auxiliary circuits, (ii) use of nonflammable material or (iii) prevention against any malfunction or mishap.

Notes regarding these materials

1. These materials are intended as a reference to assist our customers in the selection of the Renesas Technology Corp. product best suited to the customer's application; they do not convey any license under any intellectual property rights, or any other rights, belonging to Renesas Technology Corp. or a third party.
2. Renesas Technology Corp. assumes no responsibility for any damage, or infringement of any third-party's rights, originating in the use of any product data, diagrams, charts, programs, algorithms, or circuit application examples contained in these materials.
3. All information contained in these materials, including product data, diagrams, charts, programs and algorithms represents information on products at the time of publication of these materials, and are subject to change by Renesas Technology Corp. without notice due to product improvements or other reasons. It is therefore recommended that customers contact Renesas Technology Corp. or an authorized Renesas Technology Corp. product distributor for the latest product information before purchasing a product listed herein.
The information described here may contain technical inaccuracies or typographical errors. Renesas Technology Corp. assumes no responsibility for any damage, liability, or other loss rising from these inaccuracies or errors.
Please also pay attention to information published by Renesas Technology Corp. by various means, including the Renesas Technology Corp. Semiconductor home page (<http://www.renesas.com>).
4. When using any or all of the information contained in these materials, including product data, diagrams, charts, programs, and algorithms, please be sure to evaluate all information as a total system before making a final decision on the applicability of the information and products. Renesas Technology Corp. assumes no responsibility for any damage, liability or other loss resulting from the information contained herein.
5. Renesas Technology Corp. semiconductors are not designed or manufactured for use in a device or system that is used under circumstances in which human life is potentially at stake. Please contact Renesas Technology Corp. or an authorized Renesas Technology Corp. product distributor when considering the use of a product contained herein for any specific purposes, such as apparatus or systems for transportation, vehicular, medical, aerospace, nuclear, or undersea repeater use.
6. The prior written approval of Renesas Technology Corp. is necessary to reprint or reproduce in whole or in part these materials.
7. If these products or technologies are subject to the Japanese export control restrictions, they must be exported under a license from the Japanese government and cannot be imported into a country other than the approved destination.
Any diversion or reexport contrary to the export control laws and regulations of Japan and/or the country of destination is prohibited.
8. Please contact Renesas Technology Corp. for further details on these materials or the products contained therein.

General Precautions on Handling of Product

1. Treatment of NC Pins

Note: Do not connect anything to the NC pins.

The NC (not connected) pins are either not connected to any of the internal circuitry or are used as test pins or to reduce noise. If something is connected to the NC pins, the operation of the LSI is not guaranteed.

2. Treatment of Unused Input Pins

Note: Fix all unused input pins to high or low level.

Generally, the input pins of CMOS products are high-impedance input pins. If unused pins are in their open states, intermediate levels are induced by noise in the vicinity, a pass-through current flows internally, and a malfunction may occur.

3. Processing before Initialization

Note: When power is first supplied, the product's state is undefined.

The states of internal circuits are undefined until full power is supplied throughout the chip and a low level is input on the reset pin. During the period where the states are undefined, the register settings and the output state of each pin are also undefined. Design your system so that it does not malfunction because of processing while it is in this undefined state. For those products which have a reset function, reset the LSI immediately after the power supply has been turned on.

4. Prohibition of Access to Undefined or Reserved Addresses

Note: Access to undefined or reserved addresses is prohibited.

The undefined or reserved addresses may be used to expand functions, or test registers may have been allocated to these addresses. Do not access these registers; the system's operation is not guaranteed if they are accessed.

Configuration of This Manual

This manual comprises the following items:

1. General Precautions on Handling of Product
2. Configuration of This Manual
3. Preface
4. Contents
5. Overview
6. Description of Functional Modules
 - CPU and System-Control Modules
 - On-Chip Peripheral Modules

The configuration of the functional description of each module differs according to the module. However, the generic style includes the following items:

- i) Feature
- ii) Input/Output Pin
- iii) Register Description
- iv) Operation
- v) Usage Note

When designing an application system that includes this LSI, take notes into account. Each section includes notes in relation to the descriptions given, and usage notes are given, as required, as the final part of each section.

7. List of Registers
8. Electrical Characteristics
9. Appendix
10. Main Revisions and Additions in this Edition (only for revised versions)

The list of revisions is a summary of points that have been revised or added to earlier versions. This does not include all of the revised contents. For details, see the actual locations in this manual.

11. Index

Preface

The H8SX/1582 is a single-chip microcomputer made up of the high-speed internal 32-bit H8SX CPU as its core, and the peripheral functions required to configure a system. The H8SX CPU is upward compatible with the H8/300, H8/300H, and H8S CPUs.

Target Users: This manual was written for users who will be using the H8SX/1582 in the design of application systems. Target users are expected to understand the fundamentals of electrical circuits, logical circuits, and microcomputers.

Objective: This manual was written to explain the hardware functions and electrical characteristics of the H8SX/1582 to the target users.
Refer to the H8SX Family Software Manual for a detailed description of the instruction set.

Notes on reading this manual:

In order to understand the overall functions of the chip

Read the manual according to the contents. This manual can be roughly categorized into parts on the CPU, system control functions, and peripheral functions.

In order to understand the details of the CPU's functions

Read the H8SX Family Software Manual.

In order to understand the details of a register when its name is known

Read the index that is the final part of the manual to find the page number of the entry on the register. The addresses, bits, and initial values of the registers are summarized in section 20, List of Registers.

Examples: **Register name:** The following notation is used for cases when the same or a similar function, e.g. 16-bit timer pulse unit or serial communication interface, is implemented on more than one channel:

XXX_N (XXX is the register name and N is the channel number)

Bit order: The MSB is on the left and the LSB is on the right.

Number notation: Binary is B'xxxx, hexadecimal is H'xxxx, decimal is xxxx.

Signal notation: An overbar is added to a low-active signal: $\overline{\text{xxxx}}$

Related Manuals: The latest versions of all related manuals are available from our web site. Please ensure you have the latest versions of all documents you require.
<http://www.renesas.com/>

H8SX/1582 manuals:

Document Title	Document No.
H8SX/1582 Hardware Manual	This manual
H8/SX Family Software Manual	REJ09B0102

Contents

Section 1	Overview	1
1.1	Features	1
1.2	Block Diagram	2
1.3	Pin Assignments	3
1.3.1	Pin Assignments	3
1.3.2	Pin Configuration in Each Operating Mode	4
1.3.3	Pin Functions	8
Section 2	CPU	17
2.1	Features	17
2.2	CPU Operating Modes	19
2.2.1	Normal Mode	19
2.2.2	Middle Mode	21
2.2.3	Advanced Mode	22
2.2.4	Maximum Mode	23
2.3	Instruction Fetch	25
2.4	Address Space	25
2.5	Registers	26
2.5.1	General Registers	27
2.5.2	Program Counter (PC)	28
2.5.3	Condition-Code Register (CCR)	28
2.5.4	Extended Control Register (EXR)	30
2.5.5	Vector Base Register (VBR)	30
2.5.6	Short Address Base Register (SBR)	30
2.5.7	Multiply-Accumulate Register (MAC)	31
2.5.8	Initial Values of CPU Registers	31
2.6	Data Formats	31
2.6.1	General Register Data Formats	31
2.6.2	Memory Data Formats	33
2.7	Instruction Set	34
2.7.1	Instructions and Addressing Modes	36
2.7.2	Table of Instructions Classified by Function	40
2.7.3	Basic Instruction Formats	51
2.8	Addressing Modes and Effective Address Calculation	52
2.8.1	Register Direct—Rn	53
2.8.2	Register Indirect—@ERn	53
2.8.3	Register Indirect with Displacement —@(d:2, ERn), @(d:16, ERn), or @(d:32, ERn)	53

2.8.4	Index Register Indirect with Displacement—@(d:16,RnL.B), @(d:32,RnL.B), @(d:16,Rn.W), @(d:32,Rn.W), @(d:16,ERn.L), or @(d:32,ERn.L).....	54
2.8.5	Register Indirect with Post-Increment, Pre-Decrement, Pre-Increment, or Post-Decrement—@ERn+, @-ERn, @+ERn, or @ERn-	54
2.8.6	Absolute Address—@aa:8, @aa:16, @aa:24, or @aa:32.....	55
2.8.7	Immediate—#xx	56
2.8.8	Program-Counter Relative—@(d:8, PC) or @(d:16, PC)	57
2.8.9	Program-Counter Relative with Index Register—@(RnL.B, PC), @(Rn.W, PC), or @(ERn.L, PC)	57
2.8.10	Memory Indirect—@aa:8	57
2.8.11	Extended Memory Indirect—@@vec:7	58
2.8.12	Effective Address Calculation	58
2.8.13	MOVA Instruction.....	60
2.9	Processing States.....	61
Section 3 MCU Operating Modes		63
3.1	Operating Mode Selection	63
3.2	Register Descriptions.....	63
3.2.1	Mode Control Register (MDCR)	64
3.2.2	System Control Register (SYSCR).....	65
3.3	Operating Mode Descriptions	67
3.3.1	Mode 1.....	67
3.3.2	Mode 2.....	67
3.3.3	Mode 3.....	67
3.4	Address Map.....	68
3.4.1	Address Map.....	68
Section 4 Exception Handling		69
4.1	Exception Handling Types and Priority	69
4.2	Exception Sources and Exception Handling Vector Table	70
4.3	Reset	72
4.3.1	Reset Exception Handling	72
4.3.2	Interrupts after Reset.....	73
4.3.3	On-Chip Peripheral Functions after Reset Release.....	73
4.4	Traces.....	74
4.5	Address Error.....	74
4.5.1	Address Error Source.....	74
4.5.2	Address Error Exception Handling.....	76
4.6	Interrupts.....	77
4.6.1	Interrupt Sources.....	77
4.6.2	Interrupt Exception Handling	77
4.7	Instruction Exception Handling	78
4.7.1	Trap Instruction	78

4.7.2	Exception Handling by General Illegal Instruction.....	79
4.8	Stack Status after Exception Handling.....	80
4.9	Usage Note.....	80
Section 5 Interrupt Controller		83
5.1	Features.....	83
5.2	Input/Output Pins.....	85
5.3	Register Descriptions	85
5.3.1	Interrupt Control Register (INTCR)	86
5.3.2	CPU Priority Control Register (CPUPCR)	87
5.3.3	Interrupt Priority Registers A to G, I, K to O, Q, and R (IPRA to IPRG, IPRI, IPRK to IPRO, IPRQ, and IPRR)	89
5.3.4	IRQ Enable Register (IER)	91
5.3.5	IRQ Sense Control Registers H and L (ISCRH and ISCRL)	93
5.3.6	IRQ Status Register (ISR).....	98
5.3.7	Software Standby Release IRQ Enable Register (SSIER)	99
5.4	Interrupt Sources.....	100
5.4.1	External Interrupts	100
5.4.2	Internal Interrupts	101
5.5	Interrupt Exception Handling Vector Table.....	102
5.6	Interrupt Control Modes and Interrupt Operation	109
5.6.1	Interrupt Control Mode 0.....	109
5.6.2	Interrupt Control Mode 2.....	111
5.6.3	Interrupt Exception Handling Sequence	113
5.6.4	Interrupt Response Times	114
5.6.5	DTC and DMAC Activation by Interrupt.....	115
5.7	CPU Priority Control Function Over DTC and DMAC.....	118
5.8	Usage Notes	121
5.8.1	Conflict between Interrupt Generation and Disabling	121
5.8.2	Instructions that Disable Interrupts.....	122
5.8.3	Times when Interrupts are Disabled	122
5.8.4	Interrupts during Execution of EEPMOV Instruction.....	122
5.8.5	Interrupts during Execution of MOVMD and MOVSD Instructions.....	123
5.8.6	Interrupt Flags of Peripheral Modules	123
Section 6 Bus Controller (BSC).....		125
6.1	Features.....	125
6.2	Register Descriptions	126
6.2.1	Bus Control Register 2 (BCR2).....	126
6.3	Bus Configuration.....	127
6.4	Multi-Clock Function.....	128
6.5	Internal Bus.....	129
6.5.1	Access to Internal Address Space	129

6.6	Write Data Buffer Function	130
6.6.1	Write Data Buffer Function for Peripheral Module.....	130
6.7	Bus Arbitration	131
6.7.1	Operation	131
6.7.2	Bus Transfer Timing.....	131
6.8	Bus Controller Operation in Reset.....	133
6.9	Usage Notes.....	133

Section 7 DMA Controller (DMAC)..... 135

7.1	Features.....	135
7.2	Register Descriptions.....	138
7.2.1	DMA Source Address Register (DSAR)	139
7.2.2	DMA Destination Address Register (DDAR)	140
7.2.3	DMA Offset Register (DOFR).....	141
7.2.4	DMA Transfer Count Register (DTCR)	142
7.2.5	DMA Block Size Register (DBSR)	143
7.2.6	DMA Mode Control Register (DMDR).....	144
7.2.7	DMA Address Control Register (DACR).....	153
7.2.8	DMA Module Request Select Register (DMRSR)	160
7.3	Transfer Modes.....	160
7.4	Operations.....	161
7.4.1	Address Modes	161
7.4.2	Transfer Modes.....	165
7.4.3	Activation Sources.....	169
7.4.4	Bus Access Modes.....	171
7.4.5	Extended Repeat Area Function	172
7.4.6	Address Update Function using Offset.....	175
7.4.7	Register during DMA Transfer.....	179
7.4.8	Priority of Channels.....	184
7.4.9	DMA Basic Bus Cycle.....	185
7.4.10	Bus Cycles in Dual Address Mode.....	186
7.4.11	Bus Cycles in Single Address Mode.....	194
7.5	DMA Transfer End.....	199
7.6	Relationship among DMAC and Other Bus Masters.....	201
7.6.1	CPU Priority Control Function Over DMAC	201
7.6.2	Bus Arbitration among DMAC and Other Bus Masters	202
7.7	Interrupt Sources.....	203
7.8	Notes on Usage.....	206

Section 8 Data Transfer Controller (DTC)..... 207

8.1	Features.....	207
8.2	Register Descriptions.....	209
8.2.1	DTC Mode Register A (MRA)	210

8.2.2	DTC Mode Register B (MRB).....	211
8.2.3	DTC Source Address Register (SAR).....	212
8.2.4	DTC Destination Address Register (DAR).....	213
8.2.5	DTC Transfer Count Register A (CRA)	213
8.2.6	DTC Transfer Count Register B (CRB).....	214
8.2.7	DTC Enable Registers A to H (DTCERA to DTCERH)	214
8.2.8	DTC Control Register (DTCCR).....	216
8.2.9	DTC Vector Base Register (DTCVBR).....	217
8.3	Activation Sources.....	217
8.4	Location of Transfer Information and DTC Vector Table	218
8.5	Operation	223
8.5.1	Bus Cycle Division	225
8.5.2	Transfer Information Read Skip Function	227
8.5.3	Transfer Information Writeback Skip Function	228
8.5.4	Normal Transfer Mode	228
8.5.5	Repeat Transfer Mode.....	229
8.5.6	Block Transfer Mode.....	231
8.5.7	Chain Transfer	232
8.5.8	Operation Timing.....	233
8.5.9	Number of DTC Execution Cycles	235
8.5.10	DTC Bus Release Timing	236
8.5.11	DTC Priority Level Control to the CPU	236
8.6	DTC Usage Procedure	237
8.6.1	Activation by Interrupt.....	237
8.7	Examples of Use of the DTC	238
8.7.1	Normal Transfer Mode	238
8.7.2	Chain Transfer	239
8.7.3	Chain Transfer when Counter = 0.....	240
8.8	Interrupt Sources	241
8.9	Usage Notes	241
8.9.1	Module Stop Mode Setting	241
8.9.2	On-Chip RAM	241
8.9.3	DMAC Transfer End Interrupt.....	242
8.9.4	DTCE Bit Setting.....	242
8.9.5	Chain Transfer	242
8.9.6	Transfer Information Start Address, Source Address, and Destination Address	242
8.9.7	Endian	242
Section 9 I/O Ports		243
9.1	Register Descriptions	249
9.1.1	Data Direction Register (PnDDR) (n = 1 to 3, 6, A, B, D, H, I, J, and K).....	251
9.1.2	Data Register (PnDR) (n = 1 to 3, 6, A, B, D, H, I, J, and K).....	251

9.1.3	Port Register (PORTn) (n = 1 to 6, A, B, D, H, I, J, and K)	252
9.1.4	Input Buffer Control Register (PnICR) (n = 1 to 6, A, B, D, H, I, J, and K)	252
9.1.5	Pull-Up MOS Control Register (PnPCR) (n = D, H, I, J, and K)	253
9.1.6	Open-Drain Control Register (PnODR) (n = 2)	254
9.1.7	Port H Realtime Input Data Register (PHRTIDR)	254
9.2	Output Buffer Control	255
9.2.1	Port 1	255
9.2.2	Port 2	258
9.2.3	Port 3	261
9.2.4	Port 6	264
9.2.5	Port A	267
9.2.6	Port B	269
9.2.7	Port D	270
9.2.8	Port H	273
9.2.9	Port I	274
9.2.10	Port J	274
9.2.11	Port K	277
9.3	Port Function Controller	284
9.3.1	Port Function Control Register 9 (PFCR9)	284
9.3.2	Port Function Control Register A (PFCRA)	286
9.3.3	Port Function Control Register B (PFCRB)	287
9.4	Usage Notes	289
9.4.1	Notes on Input Buffer Control Register (ICR) Setting	289
9.4.2	Notes on Port Function Control Register (PFCR) Settings	289
Section 10 16-Bit Timer Pulse Unit (TPU)		291
10.1	Features	291
10.2	Input/Output Pins	298
10.3	Register Descriptions	300
10.3.1	Timer Control Register (TCR)	305
10.3.2	Timer Mode Register (TMDR)	310
10.3.3	Timer I/O Control Register (TIOR)	311
10.3.4	Timer Interrupt Enable Register (TIER)	329
10.3.5	Timer Status Register (TSR)	331
10.3.6	Timer Counter (TCNT)	335
10.3.7	Timer General Register (TGR)	335
10.3.8	Timer Start Register (TSTR)	336
10.3.9	Timer Synchronous Register (TSYR)	337
10.4	Operation	338
10.4.1	Basic Functions	338
10.4.2	Synchronous Operation	344
10.4.3	Buffer Operation	346
10.4.4	Cascaded Operation	349

10.4.5	PWM Modes	351
10.4.6	Phase Counting Mode	356
10.5	Interrupt Sources	362
10.6	DTC Activation	365
10.7	DMAC Activation	365
10.8	A/D Converter Activation	365
10.9	Operation Timing	366
10.9.1	Input/Output Timing	366
10.9.2	Interrupt Signal Timing	370
10.10	Usage Notes	373
10.10.1	Module Stop Mode Setting	373
10.10.2	Input Clock Restrictions	373
10.10.3	Caution on Cycle Setting	374
10.10.4	Conflict between TCNT Write and Clear Operations	374
10.10.5	Conflict between TCNT Write and Increment Operations	375
10.10.6	Conflict between TGR Write and Compare Match	375
10.10.7	Conflict between Buffer Register Write and Compare Match	376
10.10.8	Conflict between TGR Read and Input Capture	376
10.10.9	Conflict between TGR Write and Input Capture	377
10.10.10	Conflict between Buffer Register Write and Input Capture	377
10.10.11	Conflict between Overflow/Underflow and Counter Clearing	378
10.10.12	Conflict between TCNT Write and Overflow/Underflow	379
10.10.13	Multiplexing of I/O Pins	379
10.10.14	Interrupts and Module Stop Mode	379
Section 11 Programmable Pulse Generator (PPG)		381
11.1	Features	381
11.2	Input/Output Pins	382
11.3	Register Descriptions	382
11.3.1	Next Data Enable Registers H, L (NDERH, NDERL)	383
11.3.2	Output Data Registers H, L (PODRH, PODRL)	384
11.3.3	Next Data Registers H, L (NDRH, NDRL)	386
11.3.4	PPG Output Control Register (PCR)	389
11.3.5	PPG Output Mode Register (PMR)	390
11.4	Operation	391
11.4.1	Output Timing	392
11.4.2	Sample Setup Procedure for Normal Pulse Output	393
11.4.3	Example of Normal Pulse Output (Example of 5-Phase Pulse Output)	394
11.4.4	Non-Overlapping Pulse Output	395
11.4.5	Sample Setup Procedure for Non-Overlapping Pulse Output	397
11.4.6	Example of Non-Overlapping Pulse Output (Example of 4-Phase Complementary Non-Overlapping Pulse Output)	398
11.4.7	Inverted Pulse Output	400

11.4.8	Pulse Output Triggered by Input Capture	401
11.5	Usage Notes	402
11.5.1	Module Stop Mode Setting	402
11.5.2	Operation of Pulse Output Pins.....	402
Section 12 Watchdog Timer (WDT)		403
12.1	Features.....	403
12.2	Register Descriptions	404
12.2.1	Timer Counter (TCNT).....	404
12.2.2	Timer Control/Status Register (TCSR).....	404
12.2.3	Reset Control/Status Register (RSTCSR).....	406
12.3	Operation	408
12.3.1	Watchdog Timer Mode.....	408
12.3.2	Interval Timer Mode	409
12.4	Interrupt Source	409
12.5	Usage Notes	410
12.5.1	Notes on Register Access	410
12.5.2	Conflict between Timer Counter (TCNT) Write and Increment.....	411
12.5.3	Changing Values of Bits CKS2 to CKS0.....	411
12.5.4	Switching between Watchdog Timer Mode and Interval Timer Mode.....	411
12.5.5	Transition to Watchdog Timer Mode or Software Standby Mode.....	412
Section 13 Serial Communication Interface (SCI).....		413
13.1	Features.....	413
13.2	Input/Output Pins.....	415
13.3	Register Descriptions	415
13.3.1	Receive Shift Register (RSR)	416
13.3.2	Receive Data Register (RDR).....	416
13.3.3	Transmit Data Register (TDR).....	417
13.3.4	Transmit Shift Register (TSR).....	417
13.3.5	Serial Mode Register (SMR)	417
13.3.6	Serial Control Register (SCR)	420
13.3.7	Serial Status Register (SSR)	424
13.3.8	Smart Card Mode Register (SCMR).....	431
13.3.9	Bit Rate Register (BRR)	432
13.4	Operation in Asynchronous Mode.....	439
13.4.1	Data Transfer Format.....	440
13.4.2	Receive Data Sampling Timing and Reception Margin in Asynchronous Mode.....	441
13.4.3	Clock.....	442
13.4.4	SCI Initialization (Asynchronous Mode).....	443
13.4.5	Serial Data Transmission (Asynchronous Mode)	444
13.4.6	Serial Data Reception (Asynchronous Mode)	445

13.5	Multiprocessor Communication Function.....	449
13.5.1	Multiprocessor Serial Data Transmission.....	451
13.5.2	Multiprocessor Serial Data Reception.....	452
13.6	Operation in Clocked Synchronous Mode.....	455
13.6.1	Clock.....	455
13.6.2	SCI Initialization (Clocked Synchronous Mode).....	456
13.6.3	Serial Data Transmission (Clocked Synchronous Mode).....	457
13.6.4	Serial Data Reception (Clocked Synchronous Mode).....	459
13.6.5	Simultaneous Serial Data Transmission and Reception (Clocked Synchronous Mode).....	461
13.7	Operation in Smart Card Interface Mode.....	463
13.7.1	Sample Connection.....	463
13.7.2	Data Format (Except in Block Transfer Mode).....	464
13.7.3	Block Transfer Mode.....	465
13.7.4	Receive Data Sampling Timing and Reception Margin.....	466
13.7.5	Initialization.....	467
13.7.6	Data Transmission (Except in Block Transfer Mode).....	468
13.7.7	Serial Data Reception (Except in Block Transfer Mode).....	471
13.7.8	Clock Output Control.....	472
13.8	Interrupt Sources.....	474
13.8.1	Interrupts in Normal Serial Communication Interface Mode.....	474
13.8.2	Interrupts in Smart Card Interface Mode.....	475
13.9	Usage Notes.....	476
13.9.1	Module Stop Mode Setting.....	476
13.9.2	Break Detection and Processing.....	476
13.9.3	Mark State and Break Detection.....	476
13.9.4	Receive Error Flags and Transmit Operations (Clocked Synchronous Mode Only).....	476
13.9.5	Relation between Writing to TDR and TDRE Flag.....	477
13.9.6	Restrictions on Using DTC or DMAC.....	477
13.9.7	SCI Operations during Mode Transitions.....	478
Section 14 Synchronous Serial Communication Unit (SSU).....		481
14.1	Features.....	481
14.2	Input/Output Pins.....	483
14.3	Register Descriptions.....	484
14.3.1	SS Control Register H (SSCRH).....	486
14.3.2	SS Control Register L (SSCRL).....	488
14.3.3	SS Mode Register (SSMR).....	489
14.3.4	SS Enable Register (SSER).....	490
14.3.5	SS Status Register (SSSR).....	491
14.3.6	SS Control Register 2 (SSCR2).....	495
14.3.7	SS Transmit Data Registers 0 to 3 (SSTDR0 to SSTDR3).....	496

14.3.8	SS Receive Data Registers 0 to 3 (SSRDR0 to SSRDR3).....	498
14.3.9	SS Shift Register (SSTRSR).....	499
14.4	Operation	500
14.4.1	Transfer Clock	500
14.4.2	Relationship of Clock Phase, Polarity, and Data	500
14.4.3	Relationship between Data Input/Output Pins and Shift Register	501
14.4.4	Communication Modes and Pin Functions	502
14.4.5	SSU Mode.....	504
14.4.6	$\overline{\text{SCS}}$ Pin Control and Conflict Error.....	512
14.4.7	Clock Synchronous Communication Mode	513
14.5	Interrupt Requests	519
14.6	Usage Note	520
14.6.1	Setting of Module Stop Mode.....	520
14.6.2	Note on Clearing Module Stop Mode	520
Section 15 A/D Converter		521
15.1	Features.....	521
15.2	Input/Output Pins.....	524
15.3	Register Descriptions.....	525
15.3.1	A/D Data Registers A to H (ADDRA to ADDRH)	526
15.3.2	A/D Control/Status Register (ADCSR)	527
15.3.3	A/D Control Register (ADCR)	529
15.3.4	Analog Port Pull-Down Control Register (APPDCR).....	530
15.4	Operation	531
15.4.1	Single Mode.....	531
15.4.2	Scan Mode	533
15.4.3	Input Sampling and A/D Conversion Time	535
15.4.4	External Trigger Input Timing.....	537
15.5	Interrupt Source	537
15.6	A/D Conversion Accuracy Definitions	538
15.7	Analog Port Pull-Down Function	540
15.8	Usage Notes.....	541
15.8.1	Module Stop Mode Setting.....	541
15.8.2	Permissible Signal Source Impedance	541
15.8.3	Influences on Absolute Accuracy	542
15.8.4	Setting Range of Analog Power Supply and Other Pins.....	542
15.8.5	Notes on Board Design.....	542
15.8.6	Notes on Noise Countermeasures	542
15.8.7	A/D Input Hold Function in Software Standby Mode	544
Section 16 RAM.....		545

Section 17	Flash Memory (0.18- μ m F-ZTAT Version)	547
17.1	Features	547
17.2	Mode Transition Diagram	549
17.3	Memory MAT Configuration	551
17.4	Block Structure	552
17.5	Programming/Erasing Interface	553
17.6	Input/Output Pins	555
17.7	Register Descriptions	555
17.7.1	Programming/Erasing Interface Registers	556
17.7.2	Programming/Erasing Interface Parameters	563
17.7.3	RAM Emulation Register (RAMER)	575
17.8	On-Board Programming Mode	576
17.8.1	Boot Mode	576
17.8.2	User Program Mode	580
17.8.3	User Boot Mode	590
17.8.4	On-Chip Program and Storable Area for Program Data	594
17.9	Protection	600
17.9.1	Hardware Protection	600
17.9.2	Software Protection	601
17.9.3	Error Protection	601
17.10	Flash Memory Emulation Using RAM	603
17.11	Switching between User MAT and User Boot MAT	606
17.12	Programmer Mode	607
17.13	Standard Serial Communication Interface Specifications for Boot Mode	607
17.14	Usage Notes	636
Section 18	Clock Pulse Generator	639
18.1	Register Description	640
18.1.1	System Clock Control Register (SCKCR)	640
18.2	Oscillator	643
18.2.1	Connecting Crystal Resonator	643
18.2.2	External Clock Input	644
18.3	PLL Circuit	645
18.4	Frequency Divider	645
18.5	Usage Notes	645
18.5.1	Notes on Clock Pulse Generator	645
18.5.2	Notes on Resonator	646
18.5.3	Notes on Board Design	646
18.5.4	Notes on Input Clock Frequency	647
Section 19	Power-Down Modes	649
19.1	Features	649

19.2	Register Descriptions	651
19.2.1	Standby Control Register (SBYCR)	651
19.2.2	Module Stop Control Registers A and B (MSTPCRA and MSTPCRB)	653
19.2.3	Module Stop Control Register C (MSTPCRC).....	656
19.3	Multi-Clock Function	657
19.4	Module Stop Mode	657
19.5	Sleep Mode	658
19.5.1	Transition to Sleep Mode.....	658
19.5.2	Clearing Sleep Mode	658
19.6	All-Module-Clock-Stop Mode.....	658
19.7	Software Standby Mode.....	659
19.7.1	Transition to Software Standby Mode	659
19.7.2	Clearing Software Standby Mode.....	659
19.7.3	Setting Oscillation Settling Time after Clearing Software Standby Mode	660
19.7.4	Software Standby Mode Application Example.....	661
19.8	B ϕ Clock Output Control.....	662
19.9	Usage Notes	663
19.9.1	I/O Port Status.....	663
19.9.2	Current Consumption during Oscillation Settling Standby Period	663
19.9.3	DTC and DMAC Module Stop.....	663
19.9.4	On-Chip Peripheral Module Interrupts	663
19.9.5	Writing to MSTPCRA, MSTPCRB, and MSTPCRC.....	663
 Section 20 List of Registers.....		 665
20.1	Register Addresses (Address Order).....	666
20.2	Register Bits	678
20.3	Register States in Each Operating Mode	695
 Section 21 Electrical Characteristics		 705
21.1	Absolute Maximum Ratings	705
21.2	DC Characteristics	706
21.3	AC Characteristics	708
21.3.1	Clock Timing.....	709
21.3.2	Control Signal Timing	711
21.3.3	Timing of On-Chip Peripheral Modules	712
21.3.4	A/D Conversion Characteristics	719
21.3.5	Flash Memory Characteristics	720
 Appendix		 721
A.	Port States in Each Pin State	721
B.	Product Lineup.....	722
C.	Package Dimensions	723

Main Revisions and Additions in this Edition	725
Index	749

Figures

Section 1 Overview

Figure 1.1	Block Diagram of H8SX/1582	2
Figure 1.2	Pin Assignments of H8SX/1582	3

Section 2 CPU

Figure 2.1	CPU Operating Modes	19
Figure 2.2	Exception Vector Table (Normal Mode)	20
Figure 2.3	Stack Structure (Normal Mode)	20
Figure 2.4	Exception Vector Table (Middle and Advanced Modes)	22
Figure 2.5	Stack Structure (Middle and Advanced Modes)	23
Figure 2.6	Exception Vector Table (Maximum Modes)	24
Figure 2.7	Stack Structure (Maximum Mode)	24
Figure 2.8	Memory Map	25
Figure 2.9	CPU Registers	26
Figure 2.10	Usage of General Registers	27
Figure 2.11	Stack	28
Figure 2.12	General Register Data Formats	32
Figure 2.13	Memory Data Formats	33
Figure 2.14	Instruction Formats	51
Figure 2.15	Branch Address Specification in Memory Indirect Mode	58
Figure 2.16	State Transitions	62

Section 3 MCU Operating Modes

Figure 3.1	Address Map	68
------------	-------------------	----

Section 4 Exception Handling

Figure 4.1	Reset Sequence (On-Chip ROM Enabled Advanced Mode)	73
Figure 4.2	Stack Status after Exception Handling	80
Figure 4.3	Operation when SP Value Is Odd	81

Section 5 Interrupt Controller

Figure 5.1	Block Diagram of Interrupt Controller	84
Figure 5.2	Block Diagram of Interrupts IRQn	101
Figure 5.3	Flowchart of Procedure Up to Interrupt Acceptance in Interrupt Control Mode 0	110
Figure 5.4	Flowchart of Procedure Up to Interrupt Acceptance in Interrupt Control Mode 2	112
Figure 5.5	Interrupt Exception Handling	113
Figure 5.6	Block Diagram of DMAC and Interrupt Controller	116
Figure 5.7	Conflict between Interrupt Generation and Disabling	121

Section 6 Bus Controller (BSC)

Figure 6.1	Block Diagram of Bus Controller	125
Figure 6.2	Internal Bus Configuration	127

Figure 6.3 Example of Timing when Write Data Buffer Function is Used	130
--	-----

Section 7 DMA Controller (DMAC)

Figure 7.1 Block Diagram of DMAC	137
Figure 7.2 Example of Signal Timing in Dual Address Mode	162
Figure 7.3 Operations in Dual Address Mode	162
Figure 7.4 Data Flow in Single Address Mode.....	163
Figure 7.5 Example of Signal Timing in Single Address Mode.....	164
Figure 7.6 Operations in Single Address Mode.....	164
Figure 7.7 Example of Signal Timing in Normal Transfer Mode.....	165
Figure 7.8 Operations in Normal Transfer Mode	165
Figure 7.9 Operations in Repeat Transfer Mode	166
Figure 7.10 Operations in Block Transfer Mode.....	167
Figure 7.11 Operation in Single Address Mode in Block Transfer Mode (Block Area Specified)	168
Figure 7.12 Operation in Dual Address Mode in Block Transfer Mode (Block Area Not Specified)	168
Figure 7.13 Example of Timing in Cycle Stealing Mode.....	172
Figure 7.14 Example of Timing in Burst Mode.....	172
Figure 7.15 Example of Extended Repeat Area Operation.....	173
Figure 7.16 Example of Extended Repeat Area Function in Block Transfer Mode	174
Figure 7.17 Address Update Method.....	175
Figure 7.18 Operation of Offset Addition	176
Figure 7.19 XY Conversion Operation Using Offset Addition in Repeat Transfer Mode.....	177
Figure 7.20 XY Conversion Flowchart Using Offset Addition in Repeat Transfer Mode	178
Figure 7.21 Procedure for Changing Register Setting For Channel being Transferred	182
Figure 7.22 Example of Timing for Channel Priority.....	185
Figure 7.23 Example of Bus Timing of DMA Transfer	185
Figure 7.24 Example of Transfer in Normal Transfer Mode by Cycle Stealing.....	186
Figure 7.25 Example of Transfer in Normal Transfer Mode by Cycle Stealing (Transfer Source DSAR = Odd Address and Source Address Increment).....	187
Figure 7.26 Example of Transfer in Normal Transfer Mode by Cycle Stealing (Transfer Destination DDAR = Odd Address and Destination Address Decrement)	187
Figure 7.27 Example of Transfer in Normal Transfer Mode by Burst Access	188
Figure 7.28 Example of Transfer in Block Transfer Mode.....	189
Figure 7.29 Example of Transfer in Normal Transfer Mode Activated by $\overline{\text{DREQ}}$ Falling Edge.....	190
Figure 7.30 Example of Transfer in Normal Transfer Mode Activated by $\overline{\text{DREQ}}$ Low Level.....	191
Figure 7.31 Example of Transfer in Block Transfer Mode Activated by $\overline{\text{DREQ}}$ Low Level.....	192

Figure 7.32	Example of Transfer in Normal Transfer Mode Activated by $\overline{\text{DREQ}}$ Low Level with $\text{NRD} = 1$	193
Figure 7.33	Example of Transfer in Single Address Mode (Byte Read).....	194
Figure 7.34	Example of Transfer in Single Address Mode (Byte Write).....	195
Figure 7.35	Example of Transfer in Single Address Mode Activated by $\overline{\text{DREQ}}$ Falling Edge.....	196
Figure 7.36	Example of Transfer in Single Address Mode Activated by $\overline{\text{DREQ}}$ Low Level.....	197
Figure 7.37	Example of Transfer in Single Address Mode Activated by $\overline{\text{DREQ}}$ Low Level with $\text{NRD} = 1$	198
Figure 7.38	Interrupt and Interrupt Sources.....	205
Figure 7.39	Procedure Example of Resuming Transfer by Clearing Interrupt Source.....	205

Section 8 Data Transfer Controller (DTC)

Figure 8.1	Block Diagram of DTC.....	208
Figure 8.2	Transfer Information on Data Area.....	218
Figure 8.3	Correspondence between DTC Vector Address and Transfer Information.....	219
Figure 8.4	Flowchart of DTC Operation.....	224
Figure 8.5	Bus Cycle Division Example.....	226
Figure 8.6	Transfer Information Read Skip Timing.....	227
Figure 8.7	Memory Map in Normal Transfer Mode.....	229
Figure 8.8	Memory Map in Repeat Transfer Mode (When Transfer Source is Specified as Repeat Area).....	230
Figure 8.9	Memory Map in Block Transfer Mode (When Transfer Destination is Specified as Block Area).....	231
Figure 8.10	Operation of Chain Transfer.....	232
Figure 8.11	DTC Operation Timing (Example of Short Address Mode in Normal Transfer Mode or Repeat Transfer Mode).....	233
Figure 8.12	DTC Operation Timing (Example of Short Address Mode in Block Transfer Mode with Block Size of 2).....	233
Figure 8.13	DTC Operation Timing (Example of Short Address Mode in Chain Transfer).....	234
Figure 8.14	DTC Operation Timing (Example of Full Address Mode in Normal Transfer Mode or Repeat Transfer Mode).....	234
Figure 8.15	Using DTC with Interrupt Activation.....	237
Figure 8.16	Chain Transfer when Counter = 0.....	241

Section 9 I/O Ports

Figure 9.1	Port Block Diagram.....	250
------------	-------------------------	-----

Section 10 16-Bit Timer Pulse Unit (TPU)

Figure 10.1	Block Diagram of TPU (Unit 0).....	296
Figure 10.2	Block Diagram of TPU (Unit 1).....	297
Figure 10.3	Example of Counter Operation Setting Procedure.....	338
Figure 10.4	Free-Running Counter Operation.....	339

Figure 10.5	Periodic Counter Operation.....	340
Figure 10.6	Example of Setting Procedure for Waveform Output by Compare Match.....	340
Figure 10.7	Example of 0-Output/1-Output Operation.....	341
Figure 10.8	Example of Toggle Output Operation.....	341
Figure 10.9	Example of Setting Procedure for Input Capture Operation.....	342
Figure 10.10	Example of Input Capture Operation.....	343
Figure 10.11	Example of Synchronous Operation Setting Procedure.....	344
Figure 10.12	Example of Synchronous Operation.....	345
Figure 10.13	Compare Match Buffer Operation.....	346
Figure 10.14	Input Capture Buffer Operation.....	347
Figure 10.15	Example of Buffer Operation Setting Procedure.....	347
Figure 10.16	Example of Buffer Operation (1).....	348
Figure 10.17	Example of Buffer Operation (2).....	349
Figure 10.18	Example of Cascaded Operation Setting Procedure.....	350
Figure 10.19	Example of Cascaded Operation (1).....	350
Figure 10.20	Example of Cascaded Operation (2).....	351
Figure 10.21	Example of PWM Mode Setting Procedure.....	353
Figure 10.22	Example of PWM Mode Operation (1).....	354
Figure 10.23	Example of PWM Mode Operation (2).....	354
Figure 10.24	Example of PWM Mode Operation (3).....	355
Figure 10.25	Example of Phase Counting Mode Setting Procedure.....	356
Figure 10.26	Example of Phase Counting Mode 1 Operation.....	357
Figure 10.27	Example of Phase Counting Mode 2 Operation.....	358
Figure 10.28	Example of Phase Counting Mode 3 Operation.....	359
Figure 10.29	Example of Phase Counting Mode 4 Operation.....	360
Figure 10.30	Phase Counting Mode Application Example.....	361
Figure 10.31	Count Timing in Internal Clock Operation.....	366
Figure 10.32	Count Timing in External Clock Operation.....	366
Figure 10.33	Output Compare Output Timing.....	367
Figure 10.34	Input Capture Input Signal Timing.....	367
Figure 10.35	Counter Clear Timing (Compare Match).....	368
Figure 10.36	Counter Clear Timing (Input Capture).....	368
Figure 10.37	Buffer Operation Timing (Compare Match).....	369
Figure 10.38	Buffer Operation Timing (Input Capture).....	369
Figure 10.39	TGI Interrupt Timing (Compare Match).....	370
Figure 10.40	TGI Interrupt Timing (Input Capture).....	370
Figure 10.41	TCIV Interrupt Setting Timing.....	371
Figure 10.42	TCIU Interrupt Setting Timing.....	371
Figure 10.43	Timing for Status Flag Clearing by CPU.....	372
Figure 10.44	Timing for Status Flag Clearing by DMAC Activation (1).....	372
Figure 10.45	Timing for Status Flag Clearing by DMAC Activation (2).....	373
Figure 10.46	Phase Difference, Overlap, and Pulse Width in Phase Counting Mode.....	373
Figure 10.47	Conflict between TCNT Write and Clear Operations.....	374

Figure 10.48	Conflict between TCNT Write and Increment Operations	375
Figure 10.49	Conflict between TGR Write and Compare Match	375
Figure 10.50	Conflict between Buffer Register Write and Compare Match	376
Figure 10.51	Conflict between TGR Read and Input Capture	376
Figure 10.52	Conflict between TGR Write and Input Capture	377
Figure 10.53	Conflict between Buffer Register Write and Input Capture	378
Figure 10.54	Conflict between Overflow and Counter Clearing	378
Figure 10.55	Conflict between TCNT Write and Overflow	379

Section 11 Programmable Pulse Generator (PPG)

Figure 11.1	Block Diagram of PPG	381
Figure 11.2	Schematic Diagram of PPG	391
Figure 11.3	Timing of Transfer and Output of NDR Contents (Example)	392
Figure 11.4	Setup Procedure for Normal Pulse Output (Example)	393
Figure 11.5	Normal Pulse Output Example (5-Phase Pulse Output)	394
Figure 11.6	Non-Overlapping Pulse Output	395
Figure 11.7	Non-Overlapping Operation and NDR Write Timing	396
Figure 11.8	Setup Procedure for Non-Overlapping Pulse Output (Example)	397
Figure 11.9	Non-Overlapping Pulse Output Example (4-Phase Complementary)	398
Figure 11.10	Inverted Pulse Output (Example)	400
Figure 11.11	Pulse Output Triggered by Input Capture (Example)	401

Section 12 Watchdog Timer (WDT)

Figure 12.1	Block Diagram of WDT	403
Figure 12.2	Operation in Watchdog Timer Mode	408
Figure 12.3	Operation in Interval Timer Mode	409
Figure 12.4	Writing to TCNT, TCSR, and RSTCSR	410
Figure 12.5	Conflict between TCNT Write and Increment	411

Section 13 Serial Communication Interface (SCI)

Figure 13.1	Block Diagram of SCI	414
Figure 13.2	Data Format in Asynchronous Communication (Example with 8-Bit Data, Parity, Two Stop Bits)	439
Figure 13.3	Receive Data Sampling Timing in Asynchronous Mode	441
Figure 13.4	Phase Relation between Output Clock and Transmit Data (Asynchronous Mode)	442
Figure 13.5	Sample SCI Initialization Flowchart	443
Figure 13.6	Example of Operation for Transmission in Asynchronous Mode (Example with 8-Bit Data, Parity, One Stop Bit)	444
Figure 13.7	Sample Serial Transmission Flowchart	445
Figure 13.8	Example of SCI Operation for Reception (Example with 8-Bit Data, Parity, One Stop Bit)	446
Figure 13.9	Sample Serial Reception Flowchart (1)	447
Figure 13.9	Sample Serial Reception Flowchart (2)	448

Figure 13.10	Example of Communication Using Multiprocessor Format (Transmission of Data H'AA to Receiving Station A).....	450
Figure 13.11	Sample Multiprocessor Serial Transmission Flowchart.....	451
Figure 13.12	Example of SCI Operation for Reception (Example with 8-Bit Data, Multiprocessor Bit, One Stop Bit).....	452
Figure 13.13	Sample Multiprocessor Serial Reception Flowchart (1).....	453
Figure 13.13	Sample Multiprocessor Serial Reception Flowchart (2).....	454
Figure 13.14	Data Format in Clocked Synchronous Communication (LSB-First).....	455
Figure 13.15	Sample SCI Initialization Flowchart.....	456
Figure 13.16	Example of Operation for Transmission in Clocked Synchronous Mode.....	458
Figure 13.17	Sample Serial Transmission Flowchart.....	458
Figure 13.18	Example of Operation for Reception in Clocked Synchronous Mode.....	459
Figure 13.19	Sample Serial Reception Flowchart.....	460
Figure 13.20	Sample Flowchart of Simultaneous Serial Transmission and Reception.....	462
Figure 13.21	Pin Connection for Smart Card Interface.....	463
Figure 13.22	Data Formats in Normal Smart Card Interface Mode.....	464
Figure 13.23	Direct Convention (SDIR = SINV = O/\bar{E} = 0).....	464
Figure 13.24	Inverse Convention (SDIR = SINV = O/\bar{E} = 1).....	465
Figure 13.25	Receive Data Sampling Timing in Smart Card Interface Mode (When Clock Frequency is 372 Times the Bit Rate).....	466
Figure 13.26	Data Re-Transfer Operation in SCI Transmission Mode.....	469
Figure 13.27	TEND Flag Set Timing during Transmission.....	469
Figure 13.28	Sample Transmission Flowchart.....	470
Figure 13.29	Data Re-Transfer Operation in SCI Reception Mode.....	471
Figure 13.30	Sample Reception Flowchart.....	472
Figure 13.31	Clock Output Fixing Timing.....	472
Figure 13.32	Clock Stop and Restart Procedure.....	473
Figure 13.33	Sample Transmission using DTC or DMAC in Clocked Synchronous Mode.....	477
Figure 13.34	Sample Flowchart for Mode Transition during Transmission.....	479
Figure 13.35	Port Pin States during Mode Transition (Internal Clock, Asynchronous Transmission).....	479
Figure 13.36	Port Pin States during Mode Transition (Internal Clock, Clocked Synchronous Transmission).....	480
Figure 13.37	Sample Flowchart for Mode Transition during Reception.....	480

Section 14 Synchronous Serial Communication Unit (SSU)

Figure 14.1	Block Diagram of SSU.....	482
Figure 14.2	Relationship of Clock Phase, Polarity, and Data.....	500
Figure 14.3	Relationship between Data Input/Output Pins and the Shift Register.....	501
Figure 14.4	Example of Initial Settings in SSU Mode.....	504
Figure 14.5	Example of Transmission Operation (SSU Mode).....	506
Figure 14.6	Flowchart Example of Data Transmission (SSU Mode).....	507
Figure 14.7	Example of Reception Operation (SSU Mode).....	509

Figure 14.8	Flowchart Example of Data Reception (SSU Mode).....	510
Figure 14.9	Flowchart Example of Simultaneous Transmission/Reception (SSU Mode).....	511
Figure 14.10	Conflict Error Detection Timing (Before Transfer)	512
Figure 14.11	Conflict Error Detection Timing (After Transfer End)	512
Figure 14.12	Example of Initial Settings in Clock Synchronous Communication Mode	513
Figure 14.13	Example of Transmission Operation (Clock Synchronous Communication Mode).....	514
Figure 14.14	Flowchart Example of Transmission Operation (Clock Synchronous Communication Mode).....	515
Figure 14.15	Example of Reception Operation (Clock Synchronous Communication Mode)...	516
Figure 14.16	Flowchart Example of Data Reception (Clock Synchronous Communication Mode).....	517
Figure 14.17	Flowchart Example of Simultaneous Transmission/Reception (Clock Synchronous Communication Mode).....	518
 Section 15 A/D Converter		
Figure 15.1	Block Diagram of A/D Converter (Unit 0/AD_0).....	522
Figure 15.2	Block Diagram of A/D Converter (Unit 1/AD_1).....	523
Figure 15.3	Example of A/D Converter Operation (Single Mode, Channel 1 Selected)	532
Figure 15.4	Example of A/D Conversion (Scan Mode, Three Channels (AN0 to AN2) Selected).....	534
Figure 15.5	A/D Conversion Timing	535
Figure 15.6	External Trigger Input Timing	537
Figure 15.7	A/D Conversion Accuracy Definitions.....	539
Figure 15.8	A/D Conversion Accuracy Definitions.....	539
Figure 15.9	Diagram of Analog Port Pull-Down Function.....	540
Figure 15.10	Example of Analog Input Circuit	541
Figure 15.11	Example of Analog Input Protection Circuit.....	543
Figure 15.12	Analog Input Pin Equivalent Circuit	543
 Section 17 Flash Memory (0.18-mm F-ZTAT Version)		
Figure 17.1	Block Diagram of Flash Memory.....	548
Figure 17.2	Mode Transition of Flash Memory.....	549
Figure 17.3	Memory MAT Configuration	551
Figure 17.4	Block Structure of User MAT	552
Figure 17.5	Procedure for Creating Procedure Program.....	553
Figure 17.6	System Configuration in Boot Mode.....	576
Figure 17.7	Automatic-Bit-Rate Adjustment Operation.....	577
Figure 17.8	Boot Mode State Transition Diagram.....	578
Figure 17.9	Programming/Erasing Flow.....	580
Figure 17.10	RAM Map when Programming/Erasing is Executed	581
Figure 17.11	Programming Procedure in User Program Mode	582
Figure 17.12	Erasing Procedure in User Program Mode	587

Figure 17.13	Repeating Procedure of Erasing, Programming, and RAM Emulation in User Program Mode	589
Figure 17.14	Procedure for Programming User MAT in User Boot Mode	591
Figure 17.15	Procedure for Erasing User MAT in User Boot Mode	593
Figure 17.16	Transitions to Error Protection State	602
Figure 17.17	RAM Emulation Flow	603
Figure 17.18	Address Map of Overlaid RAM Area	604
Figure 17.19	Programming Tuned Data	605
Figure 17.20	Switching between User MAT and User Boot MAT	606
Figure 17.21	Boot Program States	608
Figure 17.22	Bit-Rate-Adjustment Sequence	609
Figure 17.23	Communication Protocol Format	610
Figure 17.24	New Bit-Rate Selection Sequence	621
Figure 17.25	Programming Sequence	625
Figure 17.26	Erasure Sequence	626

Section 18 Clock Pulse Generator

Figure 18.1	Block Diagram of Clock Pulse Generator	639
Figure 18.2	Connection of Crystal Resonator (Example)	643
Figure 18.3	Crystal Resonator Equivalent Circuit	643
Figure 18.4	External Clock Input (Examples)	644
Figure 18.5	Clock Modification Timing	646
Figure 18.6	Note on Board Design for Oscillation Circuit	647
Figure 18.7	Connection Example of Bypass Capacitor	647

Section 19 Power-Down Modes

Figure 19.1	Mode Transitions	650
Figure 19.2	Software Standby Mode Application Example	661

Section 21 Electrical Characteristics

Figure 21.1	Output Load Circuit	708
Figure 21.2	System Bus Clock Timing	709
Figure 21.3	Oscillation Settling Timing after Software Standby Mode	710
Figure 21.4	Oscillation Settling Timing	710
Figure 21.5	External Input Clock Timing	710
Figure 21.6	Reset Input Timing	711
Figure 21.7	Interrupt Input Timing	712
Figure 21.8	I/O Port Input/Output Timing	715
Figure 21.9	Data Input Timing for Realtime Input Port	715
Figure 21.10	TPU Input/Output Timing	715
Figure 21.11	TPU Clock Input Timing	716
Figure 21.12	PPG Output Timing	716
Figure 21.13	SCK Clock Input/Output Timing	716
Figure 21.14	SCI Input/Output Timing: Clocked Synchronous Mode	716

Figure 21.15	A/D Converter External Trigger Input Timing.....	716
Figure 21.16	SSU Timing (Master, CPHS = 1).....	717
Figure 21.17	SSU Timing (Master, CPHS = 0).....	717
Figure 21.18	SSU Timing (Slave, CPHS = 1).....	718
Figure 21.19	SSU Timing (Slave, CPHS = 0).....	718

Appendix

Figure C.1	Package Dimensions (PLQP0120LA-A).....	723
------------	--	-----

Tables

Section 1 Overview

Table 1.1	Pin Configuration in Each Operating Mode.....	4
Table 1.2	Pin Functions	8

Section 2 CPU

Table 2.1	Instruction Classification	34
Table 2.2	Combinations of Instructions and Addressing Modes (1).....	36
Table 2.2	Combinations of Instructions and Addressing Modes (2).....	39
Table 2.3	Operation Notation	40
Table 2.4	Data Transfer Instructions.....	41
Table 2.5	Block Transfer Instructions.....	42
Table 2.6	Arithmetic Operation Instructions	43
Table 2.7	Logic Operation Instructions	45
Table 2.8	Shift Operation Instructions.....	46
Table 2.9	Bit Manipulation Instructions	47
Table 2.10	Branch Instructions.....	49
Table 2.11	System Control Instructions.....	50
Table 2.12	Addressing Modes	52
Table 2.13	Absolute Address Access Ranges.....	56
Table 2.14	Effective Address Calculation for Transfer and Operation Instructions.....	59
Table 2.15	Effective Address Calculation for Branch Instructions.....	60

Section 3 MCU Operating Modes

Table 3.1	MCU Operating Mode Settings	63
Table 3.2	Settings of Bits MSD3 to MSD0	65

Section 4 Exception Handling

Table 4.1	Exception Types and Priority.....	69
Table 4.2	Exception Handling Vector Table.....	70
Table 4.3	Calculation Method of Exception Handling Vector Table Address.....	72
Table 4.4	Status of CCR and EXR after Trace Exception Handling.....	74
Table 4.5	Bus Cycle and Address Error.....	75
Table 4.6	States of CCR and EXR after Address Error Exception Handling	76
Table 4.7	Interrupt Sources.....	77
Table 4.8	Status of CCR and EXR after Trap Instruction Exception Handling.....	78
Table 4.9	Status of CCR and EXR after Illegal Instruction Exception Handling	79

Section 5 Interrupt Controller

Table 5.1	Pin Configuration.....	85
-----------	------------------------	----

Table 5.2	Interrupt Sources, Vector Address Offsets, and Interrupt Priority.....	102
Table 5.3	Interrupt Control Modes	109
Table 5.4	Interrupt Response Times	114
Table 5.5	Number of Execution States in Interrupt Handling Routine.....	115
Table 5.6	Interrupt Source Selection and Clear Control.....	117
Table 5.7	CPU Priority Control	119
Table 5.8	Example of Priority Control Function Setting and Control State	120
Section 6 Bus Controller (BSC)		
Table 6.1	Synchronization Clocks and Their Corresponding Functions.....	128
Table 6.2	Number of Access Cycles for On-Chip Memory Spaces.....	129
Table 6.3	Number of Access Cycles for Registers of On-Chip Peripheral Modules	129
Section 7 DMA Controller (DMAC)		
Table 7.1	Data Access Size, Valid Bits, and Settable Size	144
Table 7.2	Settings and Areas of Extended Repeat Area	159
Table 7.3	Transfer Modes.....	160
Table 7.4	List of On-chip module interrupts to DMAC.....	170
Table 7.5	Priority among DMAC Channels.....	184
Table 7.6	Interrupt Sources and Priority.....	203
Section 8 Data Transfer Controller (DTC)		
Table 8.1	Interrupt Sources, DTC Vector Addresses, and Corresponding DTCEs	220
Table 8.2	DTC Transfer Modes	223
Table 8.3	Chain Transfer Conditions.....	225
Table 8.4	Number of Bus Cycle Divisions and Access Size	225
Table 8.5	Transfer Information Writeback Skip Condition and Writeback Skipped Registers	228
Table 8.6	Register Function in Normal Transfer Mode.....	228
Table 8.7	Register Function in Repeat Transfer Mode.....	230
Table 8.8	Register Function in Block Transfer Mode.....	231
Table 8.9	DTC Execution Status	235
Table 8.10	Number of Cycles Required for Each Execution State.....	236
Section 9 I/O Ports		
Table 9.1	Port Functions.....	243
Table 9.2	Register Configuration in Each Port.....	249
Table 9.3	Input Pull-Up MOS State.....	253
Table 9.4	Available Output Signals and Settings in Each Port.....	280
Section 10 16-Bit Timer Pulse Unit (TPU)		
Table 10.1	Unit Configuration for Each Product.....	292
Table 10.2	TPU Functions (Unit 0)	292

Table 10.3	TPU Functions (Unit 1)	294
Table 10.4	Pin Configuration.....	298
Table 10.5	CCLR2 to CCLR0 (Channels 0 and 3)	306
Table 10.6	CCLR2 to CCLR0 (Channels 1, 2, 4, and 5)	306
Table 10.7	Input Clock Edge Selection	307
Table 10.8	TPSC2 to TPSC0 (Channel 0)	307
Table 10.9	TPSC2 to TPSC0 (Channel 1)	307
Table 10.10	TPSC2 to TPSC0 (Channel 2)	308
Table 10.11	TPSC2 to TPSC0 (Channel 3)	308
Table 10.12	TPSC2 to TPSC0 (Channel 4)	309
Table 10.13	TPSC2 to TPSC0 (Channel 5)	309
Table 10.14	MD3 to MD0	311
Table 10.15	TIORH_0	313
Table 10.16	TIORL_0.....	314
Table 10.17	TIOR_1	315
Table 10.18	TIOR_2	316
Table 10.19	TIORH_3	317
Table 10.20	TIORL_3.....	318
Table 10.21	TIOR_4	319
Table 10.22	TIOR_5	320
Table 10.23	TIORH_0	320
Table 10.24	TIORL_0.....	322
Table 10.25	TIOR_1	323
Table 10.26	TIOR_2	324
Table 10.27	TIORH_3	325
Table 10.28	TIORL_3.....	326
Table 10.29	TIOR_4	327
Table 10.30	TIOR_5	328
Table 10.31	Register Combinations in Buffer Operation	346
Table 10.32	Cascaded Combinations.....	349
Table 10.33	PWM Output Registers and Output Pins	352
Table 10.34	Clock Input Pins in Phase Counting Mode	356
Table 10.35	Up/Down-Count Conditions in Phase Counting Mode 1	357
Table 10.36	Up/Down-Count Conditions in Phase Counting Mode 2.....	358
Table 10.37	Up/Down-Count Conditions in Phase Counting Mode 3	359
Table 10.38	Up/Down-Count Conditions in Phase Counting Mode 4.....	360
Table 10.39	TPU Interrupts	362

Section 11 Programmable Pulse Generator (PPG)

Table 11.1	Pin Configuration.....	382
------------	------------------------	-----

Section 12 Watchdog Timer (WDT)

Table 12.1	WDT Interrupt Source	409
------------	----------------------------	-----

Section 13 Serial Communication Interface (SCI)

Table 13.1	Pin Configuration.....	415
Table 13.2	Relationships between N Setting in BRR and Bit Rate B.....	432
Table 13.3	Examples of BRR Settings for Various Bit Rates (Asynchronous Mode) (1)	433
Table 13.3	Examples of BRR Settings for Various Bit Rates (Asynchronous Mode) (2)	434
Table 13.4	Maximum Bit Rate for Each Operating Frequency (Asynchronous Mode).....	435
Table 13.5	Maximum Bit Rate with External Clock Input (Asynchronous Mode)	436
Table 13.6	BRR Settings for Various Bit Rates (Clock Synchronous Mode).....	436
Table 13.7	Maximum Bit Rate with External Clock Input (Clock Synchronous Mode)	437
Table 13.8	BRR Settings for Various Bit Rates (Smart Card Interface Mode, n = 0, S = 372)	438
Table 13.9	Maximum Bit Rate for Each Operating Frequency (Smart Card Interface Mode, S = 372).....	438
Table 13.10	Serial Transfer Formats (Asynchronous Mode).....	440
Table 13.11	SSR Status Flags and Receive Data Handling	447
Table 13.12	SCI Interrupt Sources.....	474
Table 13.13	SCI Interrupt Sources.....	475

Section 14 Synchronous Serial Communication Unit (SSU)

Table 14.1	Pin Configuration.....	483
Table 14.2	Correspondence Between DATS Bit Setting and SSTDR.....	497
Table 14.3	Correspondence Between DATS Bit Setting and SSRDR.....	499
Table 14.4	Communication Modes and Pin States of SSI and SSO Pins	502
Table 14.5	Communication Modes and Pin States of SSCK Pin.....	503
Table 14.6	Communication Modes and Pin States of $\overline{\text{SCS}}$ Pin.....	503
Table 14.7	Interrupt Sources.....	519

Section 15 A/D Converter

Table 15.1	Pin Configuration.....	524
Table 15.2	Analog Input Channels and Corresponding ADDR Registers	526
Table 15.3	A/D Conversion Characteristics (Single Mode)	536
Table 15.4	A/D Conversion Characteristics (Scan Mode).....	536
Table 15.5	A/D Converter Interrupt Source.....	537
Table 15.6	Analog Pin Specifications.....	543

Section 17 Flash Memory (0.18-mm F-ZTAT Version)

Table 17.1	Differences between Boot Mode, User Program Mode, User Boot Mode, and Programmer Mode	550
Table 17.2	Pin Configuration.....	555

Table 17.3	Registers/Parameters and Target Modes	556
Table 17.4	Parameters and Target Modes	563
Table 17.5	On-Board Programming Mode Setting	576
Table 17.6	System Clock Frequency for Automatic-Bit-Rate Adjustment.....	577
Table 17.7	Executable Memory MAT	595
Table 17.8	Usable Area for Programming in User Program Mode.....	596
Table 17.9	Usable Area for Erasure in User Program Mode	597
Table 17.10	Usable Area for Programming in User Boot Mode.....	598
Table 17.11	Usable Area for Erasure in User Boot Mode	599
Table 17.12	Hardware Protection	600
Table 17.13	Software Protection.....	601
Table 17.14	Device Types Supported in Programmer Mode.....	607
Table 17.15	Inquiry and Selection Commands	611
Table 17.16	Programming/Erasing Commands	625
Table 17.17	Status Code	634
Table 17.18	Error Code	635
 Section 18 Clock Pulse Generator		
Table 18.1	Damping Resistance Value	643
Table 18.2	Crystal Resonator Characteristics	644
 Section 19 Power-Down Modes		
Table 19.1	Operating States	650
Table 19.2	Oscillation Settling Time Settings	660
Table 19.3	B ϕ Pin (PA7) State in Each Processing State	662
 Section 21 Electrical Characteristics		
Table 21.1	Absolute Maximum Ratings	705
Table 21.2	DC Characteristics (1).....	706
Table 21.2	DC Characteristics (2).....	707
Table 21.3	Permissible Output Currents	708
Table 21.4	Clock Timing	709
Table 21.5	Control Signal Timing	711
Table 21.6	Timing of On-Chip Peripheral Modules (1).....	712
Table 21.6	Timing of On-Chip Peripheral Modules (2).....	714
Table 21.7	A/D Conversion Characteristics.....	719
Table 21.8	Flash Memory Characteristics	720
 Appendix		
Table A.1	Port States in Each Pin State	721

Section 1 Overview

1.1 Features

- 32-bit high-speed H8SX CPU
Upward compatible with the H8/300 CPU, H8/300H CPU, and H8S CPU
Sixteen 16-bit general registers
87 basic instructions
- Extensive peripheral functions
DMA controller (DMAC)
Data transfer controller (DTC)
16-bit timer pulse unit (TPU)
Programmable pulse generator (PPG)
Watch dog timer (WDT)
Serial communication interface (SCI) can be used in asynchronous and clocked synchronous mode
Synchronous serial communication unit (SSU)
10-bit A/D converter
Clock pulse generator
- On-chip memory

Product Classification		Product Model	ROM	RAM
Flash memory version	H8SX/1582	R5F61582	256 kbytes	12 kbytes

- General I/O port
82 input/output ports
17 input ports
- Supports power-down modes
- Small package

Package	Code	Body Size	Pin Pitch
LQFP1414-120	PLQP0120LA-A (FP-120B)	14.0 × 14.0 mm	0.40 mm

1.2 Block Diagram

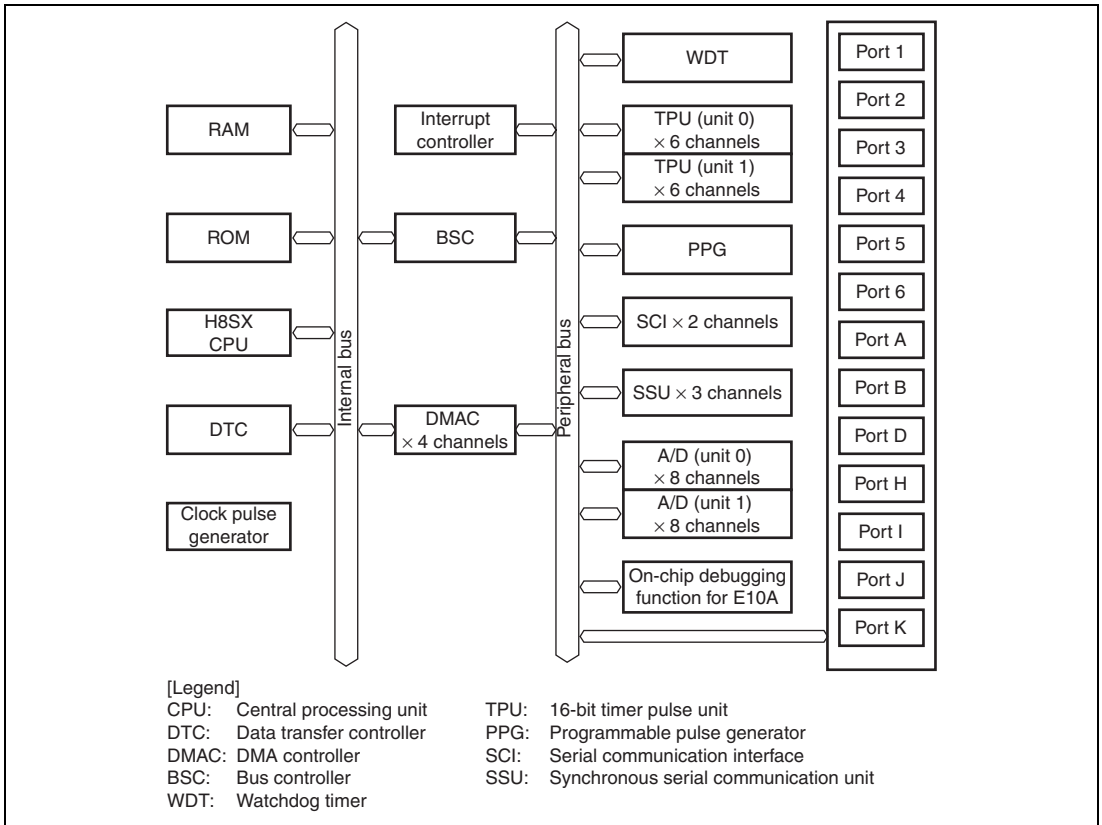


Figure 1.1 Block Diagram of H8SX/1582

1.3.2 Pin Configuration in Each Operating Mode

Table 1.1 Pin Configuration in Each Operating Mode

Pin No. Abbreviation in Mode 1, Mode 2, and Mode 3

1	PD5/SSI1
2	PD6/SCK1
3	PD7/ $\overline{\text{SCS1}}$
4	Vcc
5	P60/TxD4/ $\overline{\text{IRQ8-B}}$
6	Vss
7	P61/RxD4/ $\overline{\text{IRQ9-B}}$
8	P62/SCK4/ $\overline{\text{IRQ10-B}}$
9	P63/ $\overline{\text{IRQ11-B}}$ /TDO*
10	P64/ $\overline{\text{IRQ12-B}}$
11	P65/ $\overline{\text{IRQ13-B}}$
12	PI3
13	P66/ $\overline{\text{IRQ14-B}}$
14	PJ0/TIOCA6
15	PJ1/TIOCA6/TIOCB6
16	PJ2/TIOCC6/TCLKE
17	PJ3/TIOCC6/TIOCD6/TCLKF
18	P67/ $\overline{\text{IRQ15-B}}$
19	PJ4/TIOCA7
20	PJ5/TIOCA7/TIOCB7/TCLKG
21	PJ6/TIOCA8
22	PJ7/TIOCA8/TIOCB8/TCLKH
23	PI4
24	Vss
25	PK0/TIOCA9
26	Vcc
27	PK1/TIOCA9/TIOCB9
28	PI5

Pin No.	Abbreviation in Mode 1, Mode 2, and Mode 3
29	PK2/TIOCC9
30	PK3/TIOCC9/TIOCD9
31	PK4/TIOCA10
32	PK5/TIOCA10/TIOCB10
33	PI6
34	PK6/TIOCA11
35	PK7/TIOCA11/TIOCB11
36	PH0
37	PI7
38	PH1
39	PH2
40	PH3
41	PH4
42	PH5
43	PB0
44	PH6
45	PH7
46	Vcc
47	P10/ $\overline{\text{IRQ0}}$
48	Vss
49	P11/ $\overline{\text{IRQ1}}$
50	VCL
51	PB1
52	P12/ $\overline{\text{IRQ2}}$
53	P13/ $\overline{\text{ADTRG0/IRQ3}}$
54	P14/ $\overline{\text{TxD3/IRQ4}}$
55	P15/ $\overline{\text{RxD3/IRQ5}}$
56	P16/ $\overline{\text{SCK3/IRQ6}}$
57	P17/ $\overline{\text{ADTRG1/IRQ7}}$
58	P20/TIOCA3/TIOCB3/ $\overline{\text{IRQ8-A}}$
59	P21/TIOCA3/ $\overline{\text{IRQ9-A/SCS2}}$
60	P22/TIOCC3/ $\overline{\text{IRQ10-A}}$

Pin No. Abbreviation in Mode 1, Mode 2, and Mode 3

61	P23/TIOCC3/TIOCD3/ $\overline{\text{IRQ11-A}}$
62	Vss
63	PA7/B ϕ
64	Vcc
65	PB2
66	PA6
67	PA5
68	PA4
69	P30/PO8/TIOCA0
70	P31/PO9/TIOCA0/TIOCB0
71	P32/PO10/TIOCC0/TCLKA
72	P33/PO11/TIOCC0/TIOCD0/TCLKB
73	P24/TIOCA4/TIOCB4/ $\overline{\text{IRQ12-A}}$
74	P34/PO12/TIOCA1/ $\overline{\text{TRST}}$ *
75	P35/PO13/TIOCA1/TIOCB1/TCLKC/TMS*
76	P36/PO14/TIOCA2/TDI*
77	P37/PO15/TIOCA2/TIOCB2/TCLKD/TCK*
78	P25/TIOCA4/ $\overline{\text{IRQ13-A}}$
79	$\overline{\text{RES}}$
80	NMI
81	P26/TIOCA5/ $\overline{\text{IRQ14-A}}$
82	Vcc
83	XTAL
84	EXTAL
85	Vss
86	EMLE*
87	PA3/SSO2
88	P27/TIOCA5/TIOCB5/ $\overline{\text{IRQ15-A}}$
89	PA2/SSI2
90	PA1/SSCK2

Pin No. Abbreviation in Mode 1, Mode 2, and Mode 3

91	PA0
92	MD1
93	P40/AN12
94	P41/AN13
95	P42/AN14
96	P43/AN15
97	P44/AN8
98	P45/AN9
99	P46/AN10
100	AVcc1
101	P47/AN11
102	AVss
103	P50/AN0
104	AVcc0
105	P51/AN1
106	P52/AN2
107	P53/AN3
108	P54/AN4
109	P55/AN5
110	P56/AN6
111	P57/AN7
112	MD0
113	PI0
114	PD0/SSO0
115	PI1
116	PD1/SSI0
117	PD2/SSCK0
118	PI2
119	PD3/ $\overline{\text{SCS0}}$
120	PD4/SSO1

Note: * The EMLE (emulator enable) pin enables/disables the on-chip debugging functions. When the EMLE pin is driven high, the TDO, TDI, TCK, TMS, and TRST pins are used specific for the E10A. In this case, other pin functions are disabled.

1.3.3 Pin Functions

Table 1.2 Pin Functions

Classification	Abbreviation	Pin Number		Description
		H8SX/1582	I/O	
Power supply	V_{CC}	4, 26, 46, 64, 82	Input	Power supply pins. Connect to the system power supply.
	V_{CL}	50	Input	Connect to VSS via a 0.1- μ F capacitor (place it close to this pin).
	V_{SS}	6, 24, 48, 62, 85	Input	Ground pins. Connect to the system power supply (0 V).
Clock	XTAL	83	Input	Pins for a crystal resonator. External clock can be input to the EXTAL pin. For a connection example, see section 18, Clock Pulse Generator.
	EXTAL	84	Input	
	$B\phi$	63	Output	Supplies the system clock to external devices.
Operating mode control	MD1	92	Input	Pins for setting the operating mode. The signal levels of these pins must not be changed during operation.
	MD0	112		
System control	\overline{RES}	79	Input	Reset signal input pin. This LSI enters the reset state when this signal goes low.
	EMLE	86	Input	Input pin for on-chip emulator enable signal. Normally the signal level should be fixed low.
Interrupts	NMI	80	Input	Non-maskable interrupt request signal. When this pin is not in use, this signal must be fixed high.

Classification	Abbreviation	Pin Number		Description
		H8SX/1582	I/O	
Interrupts	$\overline{\text{IRQ15-A}}/\overline{\text{IRQ15-B}}$	88/18	Input	Maskable interrupt request signal.
	$\overline{\text{IRQ14-A}}/\overline{\text{IRQ14-B}}$	81/13		
	$\overline{\text{IRQ13-A}}/\overline{\text{IRQ13-B}}$	78/11		
	$\overline{\text{IRQ12-A}}/\overline{\text{IRQ12-B}}$	73/10		
	$\overline{\text{IRQ11-A}}/\overline{\text{IRQ11-B}}$	61/9		
	$\overline{\text{IRQ10-A}}/\overline{\text{IRQ10-B}}$	60/8		
	$\overline{\text{IRQ9-A}}/\overline{\text{IRQ9-B}}$	59/7		
	$\overline{\text{IRQ8-A}}/\overline{\text{IRQ8-B}}$	58/5		
	$\overline{\text{IRQ7}}$	57		
	$\overline{\text{IRQ6}}$	56		
	$\overline{\text{IRQ5}}$	55		
	$\overline{\text{IRQ4}}$	54		
	$\overline{\text{IRQ3}}$	53		
	$\overline{\text{IRQ2}}$	52		
	$\overline{\text{IRQ1}}$	49		
$\overline{\text{IRQ0}}$	47			
Debugging interface	$\overline{\text{TRST}}$	74	Input	Interface pins for debugging by the on-chip emulator.
	$\overline{\text{TMS}}$	75	Input	
	$\overline{\text{TDO}}$	9	Output	
	$\overline{\text{TDI}}$	76	Input	
	$\overline{\text{TCK}}$	77	Input	
16-bit timer pulse unit (TPU) (unit 0)	$\overline{\text{TCLKA}}$	71	Input	Input pins for the external clocks.
	$\overline{\text{TCLKB}}$	72		
	$\overline{\text{TCLKC}}$	75		
	$\overline{\text{TCLKD}}$	77		
	$\overline{\text{TIOCA0}}$	69, 70	I/O	Signals for TGRA_0 to TGRD_0. These are used for the input capture inputs/output compare outputs/PWM outputs.
	$\overline{\text{TIOCB0}}$	70		
	$\overline{\text{TIOCC0}}$	72, 71		
	$\overline{\text{TIOCD0}}$	72		

Classification	Abbreviation	Pin Number		Description
		H8SX/1582	I/O	
16-bit timer pulse unit (TPU) (unit 0)	TIOCA1	74, 75	I/O	Signals for TGRA_1 and TGRB_1. These are used for the input capture inputs/output compare outputs/PWM outputs.
	TIOCB1	75		
	TIOCA2	76, 77	I/O	Signals for TGRA_2 and TGRB_2. These are used for the input capture inputs/output compare outputs/PWM outputs.
	TIOCB2	77		
	TIOCA3	58, 59	I/O	Signals for TGRA_3 to TGRD_3. These are used for the input capture inputs/output compare outputs/PWM outputs.
	TIOCB3	58		
	TIOCC3	60, 61		
	TIOCD3	61		
	TIOCA4	73, 78	I/O	Signals for TGRA_4 and TGRB_4. These are used for the input capture inputs/output compare outputs/PWM outputs.
	TIOCB4	73		
TIOCA5	81, 88	I/O	Signals for TGRA_5 and TGRB_5. These are used for the input capture inputs/output compare outputs/PWM outputs.	
TIOCB5	88			
16-bit timer pulse unit (TPU) (unit 1)	TCLKE	16	Input	Input pins for the external clocks.
	TCLKF	17		
	TCLKG	20		
	TCLKH	22		
	TIOCA6	14, 15	I/O	Signals for TGRA_6 to TGRD_6. These are used for the input capture inputs/output compare outputs/PWM outputs.
	TIOCB6	15		
	TIOCC6	16, 17		
	TIOCD6	17		
	TIOCA7	19, 20	I/O	Signals for TGRA_7 to TGRB_7. These are used for the input capture inputs/output compare outputs/PWM outputs.
	TIOCB7	20		
	TIOCA8	21, 22	I/O	Signals for TGRA_8 to TGRB_8. These are used for the input capture inputs/output compare outputs/PWM outputs.
	TIOCB8	22		
	TIOCA9	25, 27	I/O	Signals for TGRA_9 to TGRD_9. These are used for the input capture inputs/output compare outputs/PWM outputs.
	TIOCB9	27		
	TIOCC9	29, 30		
TIOCD9	30			

Classification	Abbreviation	Pin Number		Description	
		H8SX/1582	I/O		
16-bit timer pulse unit (TPU) (unit 1)	TIOCA10	31, 32	I/O	Signals for TGRA_10 to TGRB_10. These are used for the input capture inputs/output compare outputs/PWM outputs.	
	TIOCB10	32			
	TIOCA11	34, 35	I/O		
	TIOCB11	35			
Program-mable pulse generator (PPG)	PO15	77	Output	Output pins for the pulse signals.	
	PO14	76			
	PO13	75			
	PO12	74			
	PO11	72			
	PO10	71			
	PO9	70			
	PO8	69			
Serial communication interface (SCI)	TxD3	54	Output	Output pins for transmit data.	
	TxD4	5			
	RxD3	55	Input	Input pins for receive data.	
	RxD4	7			
	SCK3	56	I/O	Input/output pins for clock signals.	
	SCK4	8			
Synchronous serial communication unit (SSU)	$\overline{\text{SSO}}2$	87	I/O	Input/output pins for data.	
	$\overline{\text{SSO}}1$	120			
	$\overline{\text{SSO}}0$	114			
	SSI2	89	I/O	Input/output pins for data.	
	SSI1	1			
	SSI0	116			
	SSCK2	90	I/O		
	SSCK1	2		Input/output pins for clock.	
	SSCK0	117			
	$\overline{\text{SCS}}2$	59	I/O		Input/output pins for chip select.
	$\overline{\text{SCS}}1$	3			
$\overline{\text{SCS}}0$	119				

Classification	Abbreviation	Pin Number		Description
		H8SX/1582	I/O	
A/D converter	AN15	96	Input	Input pins for the analog signals for the A/D converter.
	AN14	95		
	AN13	94		
	AN12	93		
	AN11	101		
	AN10	99		
	AN9	98		
	AN8	97		
	AN7	111		
	AN6	110		
	AN5	109		
	AN4	108		
	AN3	107		
	AN2	106		
	AN1	105		
	AN0	103		
	<u>ADTRG0</u>	53	Input	Input pins for the external trigger signal to start A/D conversion.
	<u>ADTRG1</u>	57		
	<u>AV_{cc}0</u>	104	Input	Analog power supply and reference power supply pins for the A/D converter. When the A/D converter is not in use, connect to the system power supply.
	<u>AV_{cc}1</u>	100		
	<u>AV_{ss}</u>	102	Input	Ground pin for the A/D and D/A converters. Connect to the system power supply (0 V).

Classification	Abbreviation	Pin Number		Description
		H8SX/1582	I/O	
I/O port	P17	57	I/O	8-bit input/output pins.
	P16	56		
	P15	55		
	P14	54		
	P13	53		
	P12	52		
	P11	49		
	P10	47		
	P27	88	I/O	8-bit input/output pins.
	P26	81		
	P25	78		
	P24	73		
	P23	61		
	P22	60		
	P21	59		
	P20	58		
	P37	77	I/O	8-bit input/output pins.
	P36	76		
	P35	75		
	P34	74		
	P33	72		
	P32	71		
	P31	70		
	P30	69		
	P47	101	Input	8-bit input pins.
	P46	99		
	P45	98		
	P44	97		
	P43	96		
	P42	95		
	P41	94		
	P40	93		

Classification	Abbreviation	Pin Number		Description
		H8SX/1582	I/O	
I/O port	P57	111	Input	8-bit input pins.
	P56	110		
	P55	109		
	P54	108		
	P53	107		
	P52	106		
	P51	105		
	P50	103		
	P67	18	I/O	8-bit input/output pins.
	P66	13		
	P65	11		
	P64	10		
	P63	9		
	P62	8		
	P61	7		
	P60	5		
	PA7	63	Input	1-bit input pin.
	PA6	66	I/O	7-bit input/output pins.
	PA5	67		
	PA4	68		
	PA3	87		
	PA2	89		
	PA1	90		
	PA0	91		
		PB2	65	
PB1		51		
PB0		43		

Classification	Abbreviation	Pin Number		Description
		H8SX/1582	I/O	
I/O port	PD7	3	I/O	8-bit input/output pins.
	PD6	2		
	PD5	1		
	PD4	120		
	PD3	119		
	PD2	117		
	PD1	116		
	PD0	114		
	PH7	45	I/O	8-bit input/output pins.
	PH6	44		
	PH5	42		
	PH4	41		
	PH3	40		
	PH2	39		
	PH1	38		
	PH0	36		
	PI7	37	I/O	8-bit input/output pins.
	PI6	33		
	PI5	28		
	PI4	23		
	PI3	12		
	PI2	118		
	PI1	115		
	PI0	113		
	PJ7	22	I/O	8-bit input/output pins.
	PJ6	21		
	PJ5	20		
	PJ4	19		
	PJ3	17		
	PJ2	16		
	PJ1	15		
	PJ0	14		

Classification	Abbreviation	Pin Number		Description
		H8SX/1582	I/O	
I/O port	PK7	35	I/O	8-bit input/output pins.
	PK6	34		
	PK5	32		
	PK4	31		
	PK3	30		
	PK2	29		
	PK1	27		
	PK0	25		

Section 2 CPU

The H8SX CPU is a high-speed CPU with an internal 32-bit architecture that is upward-compatible with the H8/300, H8/300H, and H8S CPUs.

The H8SX CPU has sixteen 16-bit general registers, can handle a 4-Gbyte linear address space, and is ideal for a realtime control system.

2.1 Features

- Upward-compatible with H8/300, H8/300H, and H8S CPUs
 - Can execute H8/300, H8/300H, and H8S/2000 object programs
- Sixteen 16-bit general registers
 - Also usable as sixteen 8-bit registers or eight 32-bit registers
- 87 basic instructions
 - 8/16/32-bit arithmetic and logic instructions
 - Multiply and divide instructions
 - Bit field transfer instructions
 - Powerful bit-manipulation instructions
 - Bit condition branch instructions
 - Multiply-and-accumulate instruction
- Eleven addressing modes
 - Register direct [Rn]
 - Register indirect [@ERn]
 - Register indirect with displacement [@(d:2,ERn), @(d:16,ERn), or @(d:32,ERn)]
 - Index register indirect with displacement [@(d:16,RnL.B), @(d:32,RnL.B), @(d:16,Rn.W), @(d:32,Rn.W), @(d:16,ERn.L), or @(d:32,ERn.L)]
 - Register indirect with pre-/post-increment or pre-/post-decrement [@+ERn, @ERn+, @-ERn, or @ERn-]
 - Absolute address [@aa:8, @aa:16, @aa:24, or @aa:32]
 - Immediate [#xx:3, #xx:4, #xx:8, #xx:16, or #xx:32]
 - Program-counter relative [@(d:8,PC) or @(d:16,PC)]
 - Program-counter relative with index register [@(RnL.B,PC), @(Rn.W,PC), or @(ERn.L,PC)]
 - Memory indirect [@@aa:8]
 - Extended memory indirect [@@vec:7]

- Two base registers
 - Vector base register
 - Short address base register
- 4-Gbyte address space
 - Program: 4 Gbytes
 - Data: 4 Gbytes
- High-speed operation
 - All frequently-used instructions executed in one or two states
 - 8/16/32-bit register-register add/subtract: 1 state
 - 8×8 -bit register-register multiply: 1 state
 - $16 \div 8$ -bit register-register divide: 10 states
 - 16×16 -bit register-register multiply: 1 state
 - $32 \div 16$ -bit register-register divide: 18 states
 - 32×32 -bit register-register multiply: 5 states
 - $32 \div 32$ -bit register-register divide: 18 states
- Four CPU operating modes
 - Normal mode
 - Middle mode
 - Advanced mode
 - Maximum mode
- Power-down modes
 - Transition is made by execution of SLEEP instruction
 - Choice of CPU operating clocks

-
- Notes: 1. Advanced mode is only supported as the CPU operating mode of the H8SX/1582. Normal, middle, and maximum modes are not supported.
2. The multiplier and divider are supported by the H8SX/1582.
3. In the H8SX/1582, an instruction is fetched in 32-bit mode.
-

2.2 CPU Operating Modes

The H8SX CPU has four operating modes: normal, middle, advanced and maximum modes. For details on mode settings, see section 3.1, Operating Mode Selection.

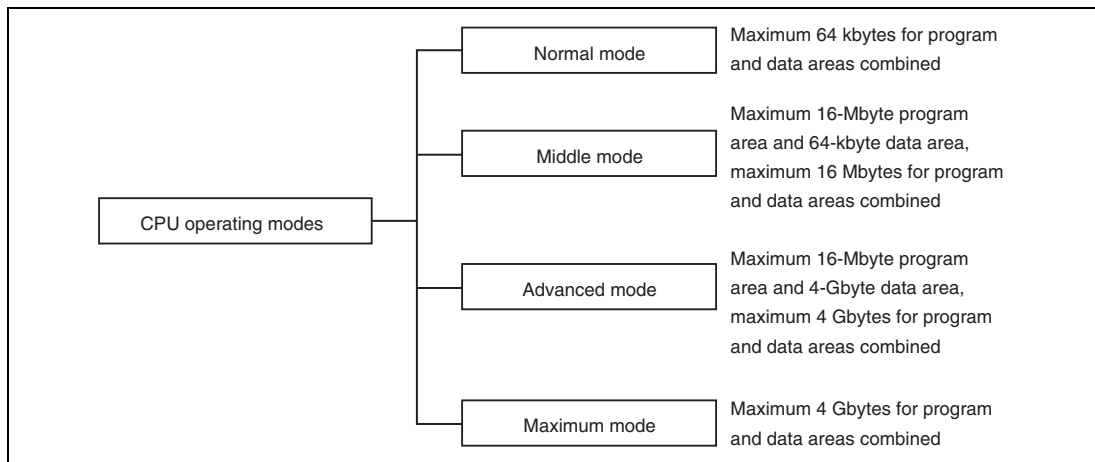


Figure 2.1 CPU Operating Modes

2.2.1 Normal Mode

The exception vector table and stack have the same structure as in the H8/300 CPU.

Note: Normal mode is not supported in this LSI.

- Address Space

The maximum address space of 64 kbytes can be accessed.

- Extended Registers (En)

The extended registers (E0 to E7) can be used as 16-bit registers, or as the upper 16-bit segments of 32-bit registers. When the extended register En is used as a 16-bit register it can contain any value, even when the corresponding general register Rn is used as an address register. (If the general register Rn is referenced in the register indirect addressing mode with pre-/post-increment or pre-/post-decrement and a carry or borrow occurs, however, the value in the corresponding extended register En will be affected.)

- Instruction Set

All instructions and addressing modes can be used. Only the lower 16 bits of effective addresses (EA) are valid.

- Exception Vector Table and Memory Indirect Branch Addresses

In normal mode, the top area starting at H'0000 is allocated to the exception vector table. One branch address is stored per 16 bits. The structure of the exception vector table is shown in figure 2.2.

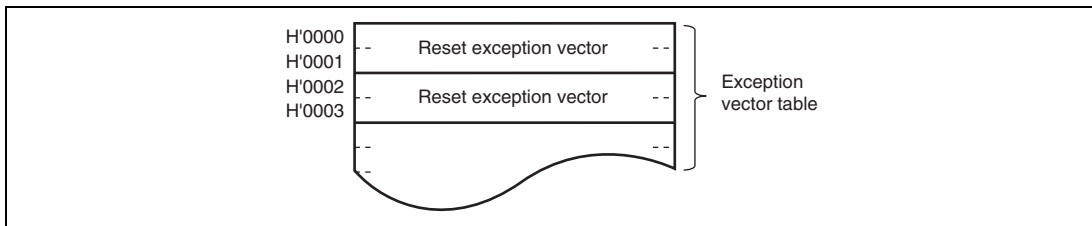


Figure 2.2 Exception Vector Table (Normal Mode)

The memory indirect (@@aa:8) and extended memory indirect (@@vec:7) addressing modes are used in the JMP and JSR instructions. An 8-bit absolute address included in the instruction code specifies a memory location. Execution branches to the contents of the memory location.

- Stack Structure

The stack structure of PC at a subroutine branch and that of PC and CCR at an exception handling are shown in figure 2.3. The PC contents are saved or restored in 16-bit units.

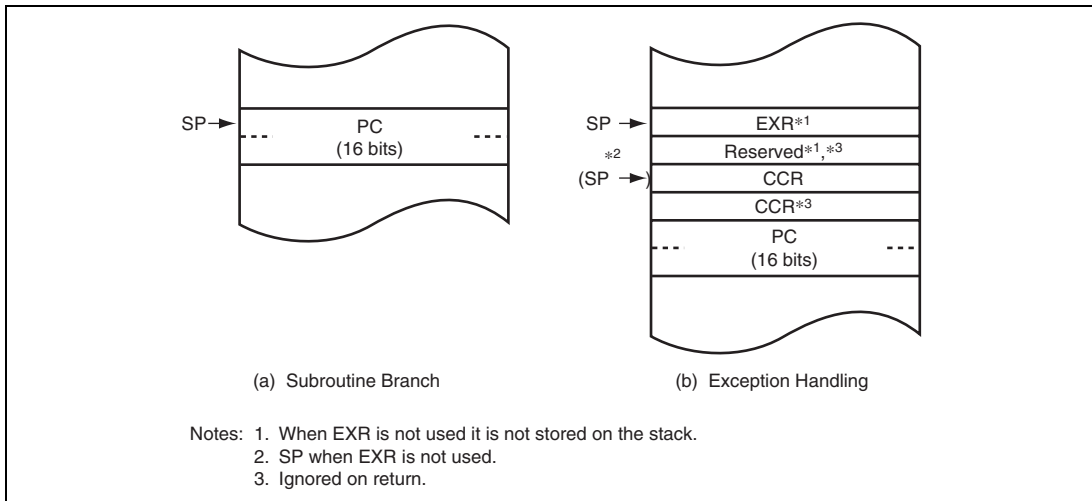


Figure 2.3 Stack Structure (Normal Mode)

2.2.2 Middle Mode

The program area in middle mode is extended to 16 Mbytes as compared with that in normal mode.

- Address Space

The maximum address space of 16 Mbytes can be accessed as a total of the program and data areas. For individual areas, up to 16 Mbytes of the program area or up to 64 kbytes of the data area can be allocated.

- Extended Registers (En)

The extended registers (E0 to E7) can be used as 16-bit registers, or as the upper 16-bit segments of 32-bit registers. When the extended register En is used as a 16-bit register (in other than the JMP and JSR instructions), it can contain any value even when the corresponding general register Rn is used as an address register. (If the general register Rn is referenced in the register indirect addressing mode with pre-/post-increment or pre-/post-decrement and a carry or borrow occurs, however, the value in the corresponding extended register En will be affected.)

- Instruction Set

All instructions and addressing modes can be used. Only the lower 16 bits of effective addresses (EA) are valid and the upper eight bits are sign-extended.

- Exception Vector Table and Memory Indirect Branch Addresses

In middle mode, the top area starting at H'000000 is allocated to the exception vector table. One branch address is stored per 32 bits. The upper eight bits are ignored and the lower 24 bits are stored. The structure of the exception vector table is shown in figure 2.4.

The memory indirect (@@aa:8) and extended memory indirect (@@vec:7) addressing modes are used in the JMP and JSR instructions. An 8-bit absolute address included in the instruction code specifies a memory location. Execution branches to the contents of the memory location.

In middle mode, an operand is a 32-bit (longword) operand, providing a 32-bit branch address. The upper eight bits are reserved and assumed to be H'00.

- Stack Structure

The stack structure of PC at a subroutine branch and that of PC and CCR at an exception handling are shown in figure 2.5. The PC contents are saved or restored in 24-bit units.

2.2.3 Advanced Mode

The data area is extended to 4 Gbytes as compared with that in middle mode.

- **Address Space**
The maximum address space of 4 Gbytes can be linearly accessed. For individual areas, up to 16 Mbytes of the program area and up to 4 Gbytes of the data area can be allocated.
- **Extended Registers (En)**
The extended registers (E0 to E7) can be used as 16-bit registers, or as the upper 16-bit segments of 32-bit registers or address registers.
- **Instruction Set**
All instructions and addressing modes can be used.
- **Exception Vector Table and Memory Indirect Branch Addresses**
In advanced mode, the top area starting at H'00000000 is allocated to the exception vector table. One branch address is stored per 32 bits. The upper eight bits are ignored and the lower 24 bits are stored. The structure of the exception vector table is shown in figure 2.4.

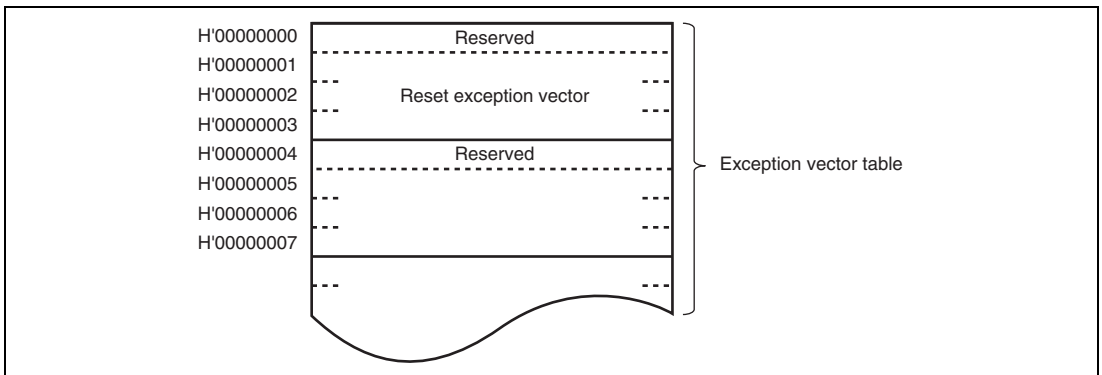


Figure 2.4 Exception Vector Table (Middle and Advanced Modes)

The memory indirect (@@aa:8) and extended memory indirect (@@vec:7) addressing modes are used in the JMP and JSR instructions. An 8-bit absolute address included in the instruction code specifies a memory location. Execution branches to the contents of the memory location. In advanced mode, an operand is a 32-bit (longword) operand, providing a 32-bit branch address. The upper eight bits are reserved and assumed to be H'00.

- Stack Structure

The stack structure of PC at a subroutine branch and that of PC and CCR at an exception handling are shown in figure 2.5. The PC contents are saved or restored in 24-bit units.

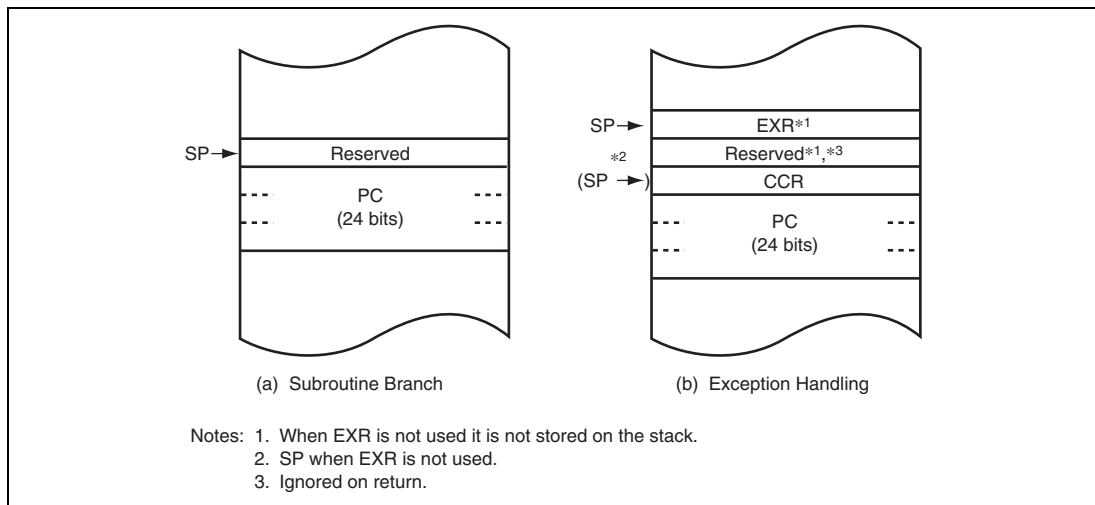


Figure 2.5 Stack Structure (Middle and Advanced Modes)

2.2.4 Maximum Mode

The program area is extended to 4 Gbytes as compared with that in advanced mode.

- Address Space

The maximum address space of 4 Gbytes can be linearly accessed.

- Extended Registers (En)

The extended registers (E0 to E7) can be used as 16-bit registers or as the upper 16-bit segments of 32-bit registers or address registers.

- Instruction Set

All instructions and addressing modes can be used.

- Exception Vector Table and Memory Indirect Branch Addresses

In maximum mode, the top area starting at H'00000000 is allocated to the exception vector table. One branch address is stored per 32 bits. The structure of the exception vector table is shown in figure 2.6.

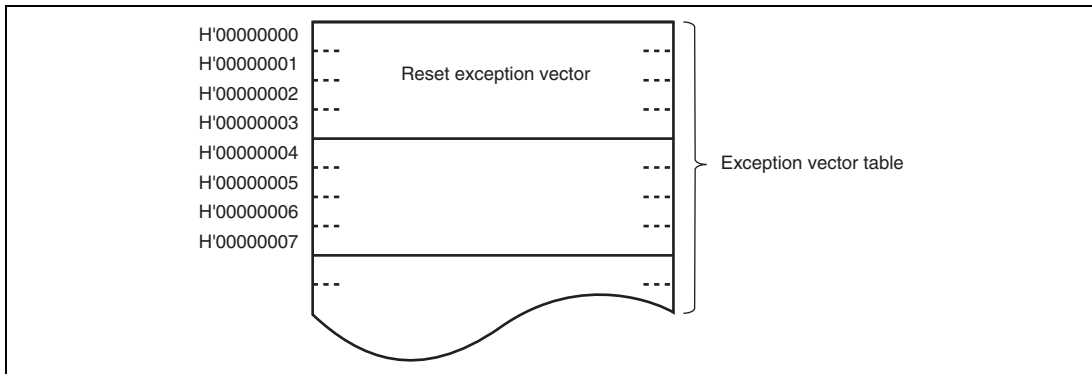


Figure 2.6 Exception Vector Table (Maximum Modes)

The memory indirect (@@aa:8) and extended memory indirect (@@vec:7) addressing modes are used in the JMP and JSR instructions. An 8-bit absolute address included in the instruction code specifies a memory location. Execution branches to the contents of the memory location. In maximum mode, an operand is a 32-bit (longword) operand, providing a 32-bit branch address.

- Stack Structure

The stack structure of PC at a subroutine branch and that of PC and CCR at an exception handling are shown in figure 2.7. The PC contents are saved or restored in 32-bit units. The EXR contents are saved or restored regardless of whether or not EXR is in use.

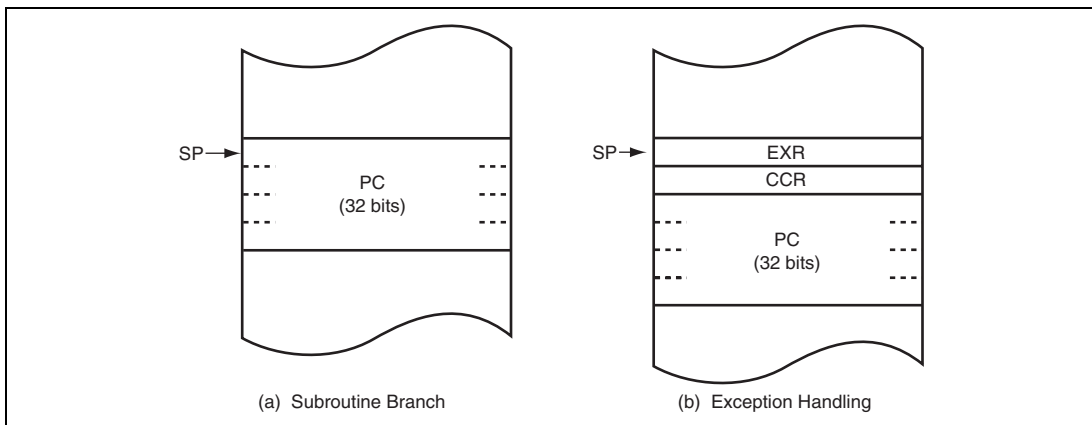


Figure 2.7 Stack Structure (Maximum Mode)

2.3 Instruction Fetch

The H8SX CPU has two modes for instruction fetch: 16-bit and 32-bit modes. It is recommended that the mode be set according to the bus width of the memory in which a program is stored. The instruction-fetch mode setting does not affect operation other than instruction fetch such as data accesses.

Note: In the H8SX/1582, an instruction is fetched in 32-bit mode.

2.4 Address Space

Figure 2.8 shows a memory map of the H8SX CPU. The address space differs depending on the CPU operating mode.

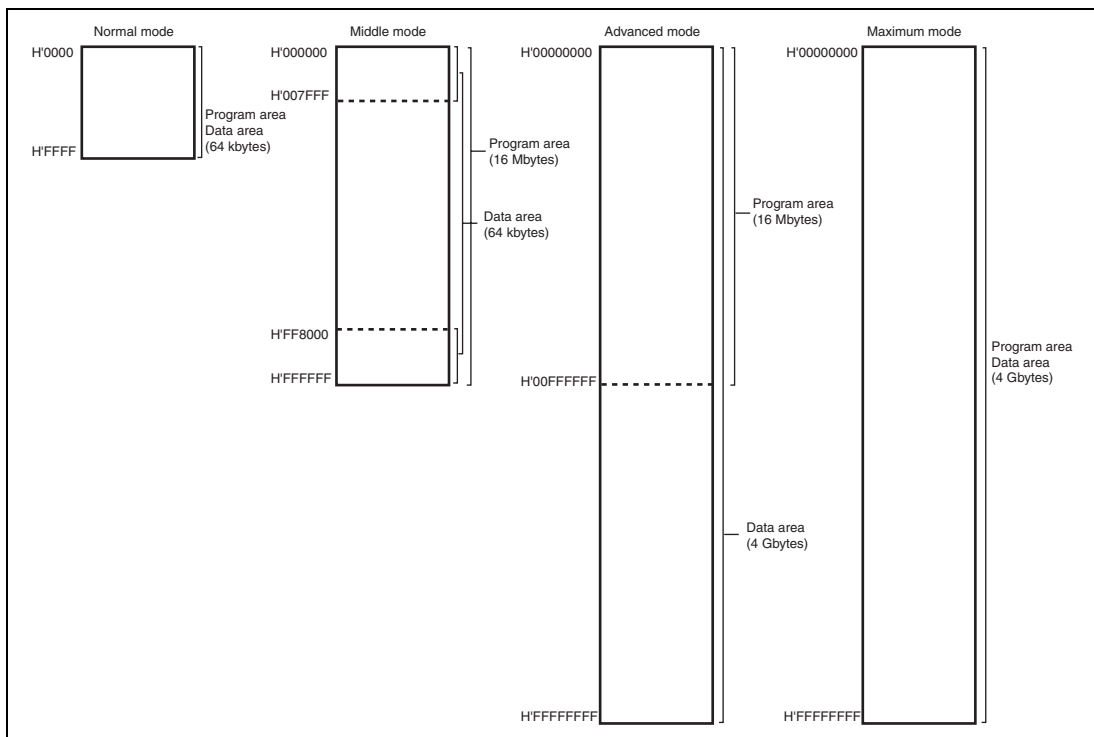


Figure 2.8 Memory Map

2.5 Registers

The H8SX CPU has the internal registers shown in figure 2.9. There are two types of registers: general registers and control registers. The control registers are the 32-bit program counter (PC), 8-bit extended control register (EXR), 8-bit condition-code register (CCR), 32-bit vector base register (VBR), 32-bit short address base register (SBR), and 64-bit multiply-accumulate register (MAC).

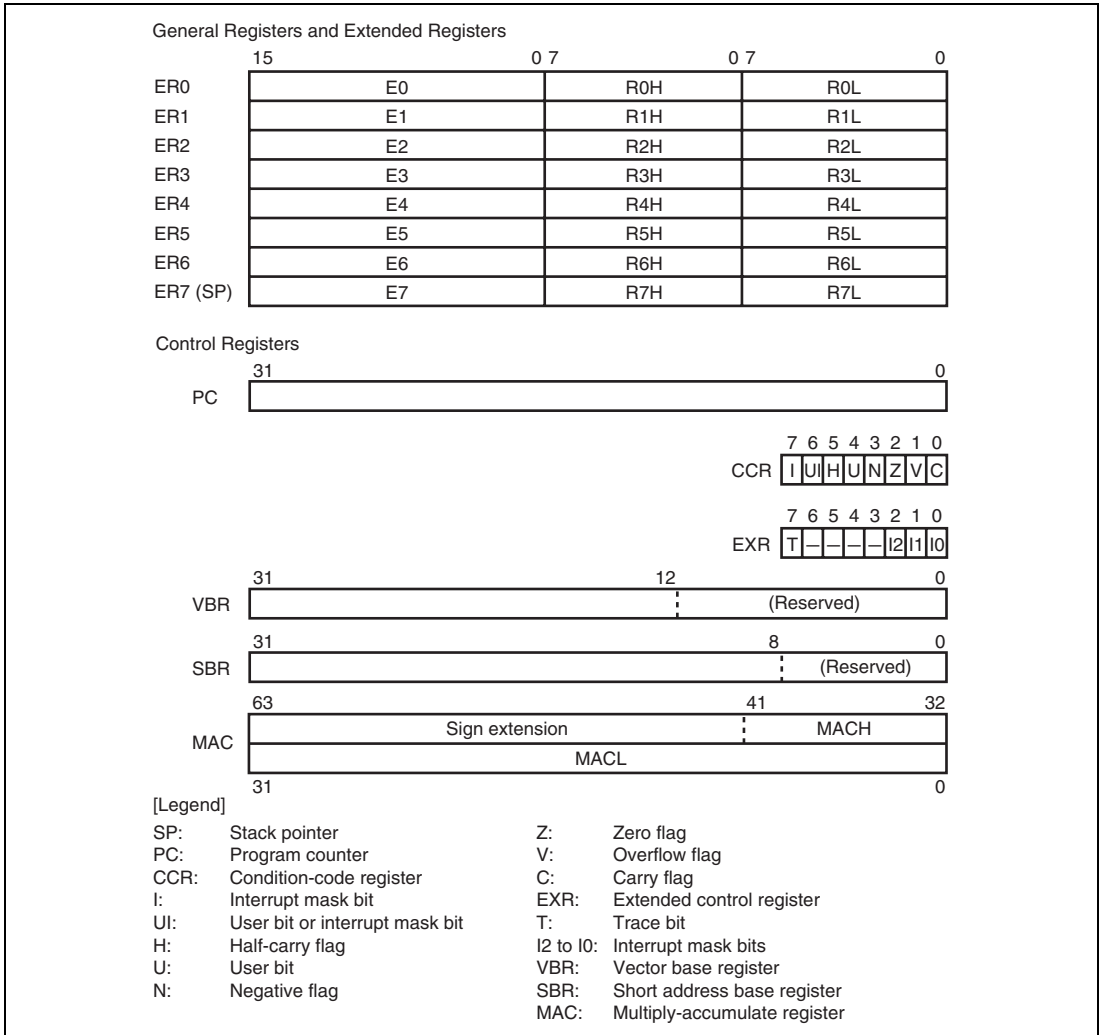


Figure 2.9 CPU Registers

2.5.1 General Registers

The H8SX CPU has eight 32-bit general registers. These general registers are all functionally alike and can be used as both address registers and data registers. When a general register is used as a data register, it can be accessed as a 32-bit, 16-bit, or 8-bit register. Figure 2.10 illustrates the usage of the general registers.

When the general registers are used as 32-bit registers or address registers, they are designated by the letters ER (ER0 to ER7).

When the general registers are used as 16-bit registers, the ER registers are divided into 16-bit general registers designated by the letters E (E0 to E7) and R (R0 to R7). These registers are functionally equivalent, providing a maximum sixteen 16-bit registers. The E registers (E0 to E7) are also referred to as extended registers.

When the general registers are used as 8-bit registers, the R registers are divided into 8-bit general registers designated by the letters RH (R0H to R7H) and RL (R0L to R7L). These registers are functionally equivalent, providing a maximum sixteen 8-bit registers.

The general registers ER (ER0 to ER7), R (R0 to R7), and RL (R0L to R7L) are also used as index registers. The size in the operand field determines which register is selected.

The usage of each register can be selected independently.

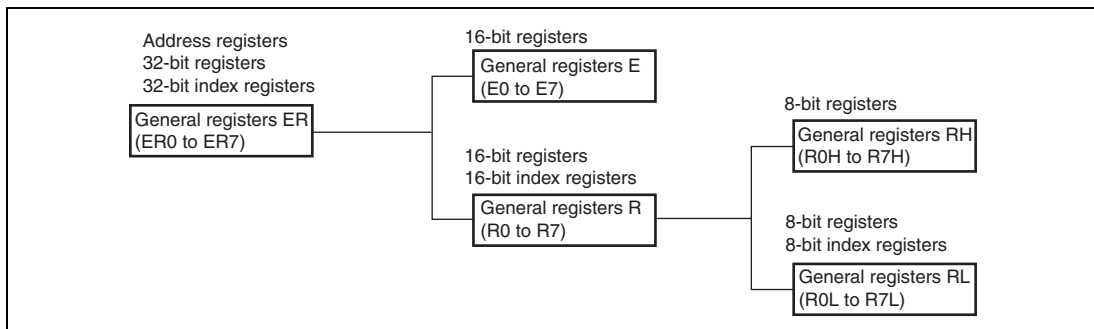


Figure 2.10 Usage of General Registers

General register ER7 has the function of stack pointer (SP) in addition to its general-register function, and is used implicitly in exception handling and subroutine branches. Figure 2.11 shows the stack.

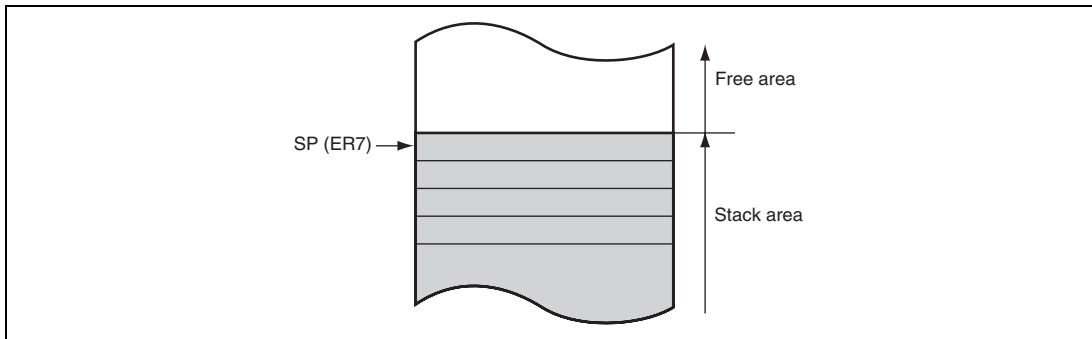


Figure 2.11 Stack

2.5.2 Program Counter (PC)

PC is a 32-bit counter that indicates the address of the next instruction the CPU will execute. The length of all CPU instructions is 16 bits (one word) or a multiple of 16 bits, so the least significant bit is ignored. (When the instruction code is fetched, the least significant bit is regarded as 0.)

2.5.3 Condition-Code Register (CCR)

CCR is an 8-bit register that contains internal CPU status information, including an interrupt mask (I) and user (UI, U) bits and half-carry (H), negative (N), zero (Z), overflow (V), and carry (C) flags.

Operations can be performed on the CCR bits by the LDC, STC, ANDC, ORC, and XORC instructions. The N, Z, V, and C flags are used as branch conditions for conditional branch (Bcc) instructions.

Bit	Bit Name	Initial Value	R/W	Description
7	I	1	R/W	Interrupt Mask Bit Masks interrupts when set to 1. This bit is set to 1 at the start of an exception handling.
6	UI	Undefined	R/W	User Bit or Interrupt Mask Bit Can be written to and read from by software using the LDC, STC, ANDC, ORC, and XORC instructions. This bit can also be used as an interrupt mask bit.

Bit	Bit Name	Initial Value	R/W	Description
5	H	Undefined	R/W	<p>Half-Carry Flag</p> <p>When the ADD.B, ADDX.B, SUB.B, SUBX.B, CMP.B, or NEG.B instruction is executed, this flag is set to 1 if there is a carry or borrow at bit 3, and cleared to 0 otherwise. When the ADD.W, SUB.W, CMP.W, or NEG.W instruction is executed, this flag is set to 1 if there is a carry or borrow at bit 11, and cleared to 0 otherwise. When the ADD.L, SUB.L, CMP.L, or NEG.L instruction is executed, this flag is set to 1 if there is a carry or borrow at bit 27, and cleared to 0 otherwise.</p>
4	U	Undefined	R/W	<p>User Bit</p> <p>Can be written to and read from by software using the LDC, STC, ANDC, ORC, and XORC instructions.</p>
3	N	Undefined	R/W	<p>Negative Flag</p> <p>Stores the value of the most significant bit (regarded as sign bit) of data.</p>
2	Z	Undefined	R/W	<p>Zero Flag</p> <p>Set to 1 to indicate zero data, and cleared to 0 to indicate non-zero data.</p>
1	V	Undefined	R/W	<p>Overflow Flag</p> <p>Set to 1 when an arithmetic overflow occurs, and cleared to 0 otherwise.</p>
0	C	Undefined	R/W	<p>Carry Flag</p> <p>Set to 1 when a carry occurs, and cleared to 0 otherwise. A carry has the following types:</p> <ul style="list-style-type: none"> • Carry from the result of addition • Borrow from the result of subtraction • Carry from the result of shift or rotation <p>The carry flag is also used as a bit accumulator by bit manipulation instructions.</p>

2.5.4 Extended Control Register (EXR)

EXR is an 8-bit register that contains the trace bit (T) and three interrupt mask bits (I2 to I0).

Operations can be performed on the EXR bits by the LDC, STC, ANDC, ORC, and XORC instructions.

For details, see the hardware manual for the corresponding product.

Bit	Bit Name	Initial Value	R/W	Description
7	T	0	R/W	Trace Bit When this bit is set to 1, a trace exception is generated each time an instruction is executed. When this bit is cleared to 0, instructions are executed in sequence.
6 to 3	—	All 1	R/W	Reserved These bits are always read as 1.
2	I2	1	R/W	Interrupt Mask Bits
1	I1	1	R/W	These bits designate the interrupt mask level (0 to 7).
0	I0	1	R/W	

2.5.5 Vector Base Register (VBR)

VBR is a 32-bit register in which the upper 20 bits are valid. The lower 12 bits of this register are read as 0s. This register is a base address of the vector area for exception handlings other than a reset and a CPU address error (extended memory indirect is also out of the target). The initial value is H'00000000. The VBR contents are changed with the LDC and STC instructions.

2.5.6 Short Address Base Register (SBR)

SBR is a 32-bit register in which the upper 24 bits are valid. The lower eight bits are read as 0s. In 8-bit absolute address addressing mode (@aa:8), this register is used as the upper address. The initial value is H'FFFFFFF0. The SBR contents are changed with the LDC and STC instructions.

2.5.7 Multiply-Accumulate Register (MAC)

MAC is a 64-bit register that stores the results of multiply-and-accumulate operations. It consists of two 32-bit registers denoted MACH and MACL. The lower 10 bits of MACH are valid; the upper bits are sign extended. The MAC contents are changed with the MAC, CLRMAC, LDMAC, and STMAC instructions.

2.5.8 Initial Values of CPU Registers

Reset exception handling loads the start address from the vector table into the PC, clears the T bit in EXR to 0, and sets the I bits in CCR and EXR to 1. The general registers, MAC, and the other bits in CCR are not initialized. In particular, the initial value of the stack pointer (ER7) is undefined. The SP should therefore be initialized using an MOV.L instruction executed immediately after a reset.

2.6 Data Formats

The H8SX CPU can process 1-bit, 4-bit BCD, 8-bit (byte), 16-bit (word), and 32-bit (longword) data.

Bit-manipulation instructions operate on 1-bit data by accessing bit n ($n = 0, 1, 2, \dots, 7$) of byte operand data. The DAA and DAS decimal-adjust instructions treat byte data as two digits of 4-bit BCD data.

2.6.1 General Register Data Formats

Figure 2.12 shows the data formats in general registers.

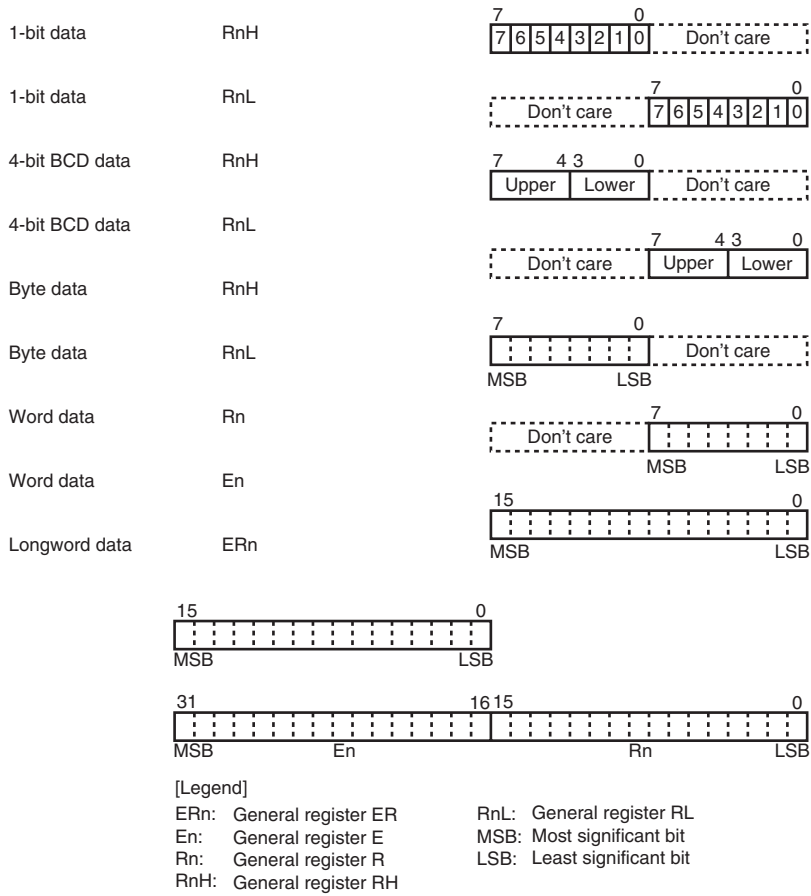


Figure 2.12 General Register Data Formats

2.6.2 Memory Data Formats

Figure 2.13 shows the data formats in memory.

The H8SX CPU can access word data and longword data which are stored at any addresses in memory. When word data begins at an odd address or longword data begins at an address other than a multiple of 4, a bus cycle is divided into two or more accesses. For example, when longword data begins at an odd address, the bus cycle is divided into byte, word, and byte accesses. In this case, these accesses are assumed to be individual bus cycles.

However, instructions to be fetched, word and longword data to be accessed during execution of the stack manipulation, branch table manipulation, block transfer instructions, and MAC instruction should be located to even addresses.

When SP (ER7) is used as an address register to access the stack, the operand size should be word size or longword size.

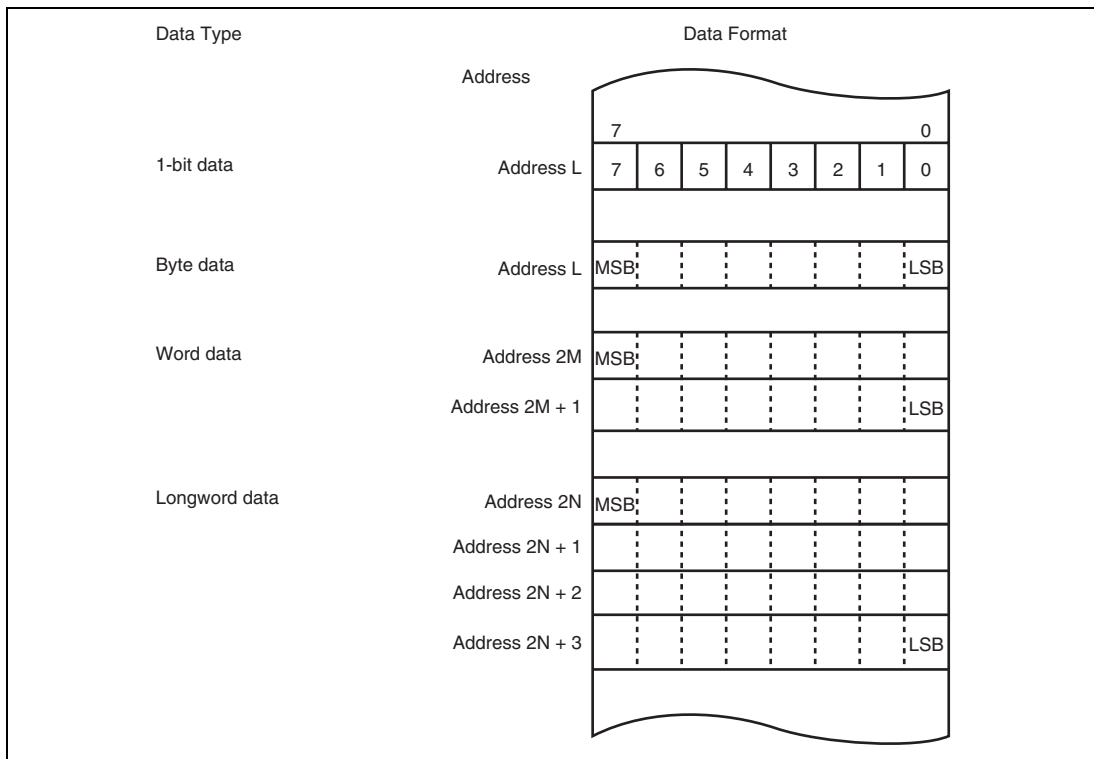


Figure 2.13 Memory Data Formats

2.7 Instruction Set

The H8SX CPU has 87 types of instructions. The instructions are classified by function as shown in table 2.1. The arithmetic operation, logic operation, shift, and bit manipulation instructions are called operation instruction in this manual.

Table 2.1 Instruction Classification

Function	Instructions	Size	Types
Data transfer	MOV	B/W/L	6
	MOVFPE* ⁶ , MOVTPE* ⁶	B	
	POP, PUSH* ¹	W/L	
	LDM, STM	L	
	MOVA	B/W* ²	
Block transfer	EPMOV	B	3
	MOVMD	B/W/L	
	MOVSD	B	
Arithmetic operations	ADD, ADDX, SUB, SUBX, CMP, NEG, INC, DEC	B/W/L	27
	DAA, DAS	B	
	ADDS, SUBS	L	
	MULXU, DIVXU, MULXS, DIVXS	B/W	
	MULU, DIVU, MULS, DIVS	W/L	
	MULU/U, MULS/U	L	
	EXTU, EXTS	W/L	
	TAS	B	
	MAC	—	
	LDMAC, STMAC	—	
	CLRMAC	—	
	Logic operations	AND, OR, XOR, NOT	
Shift	SHLL, SHLR, SHAL, SHAR, ROTL, ROTR, ROTXL, ROTXR	B/W/L	8
Bit manipulation	BSET, BCLR, BNOT, BTST, BAND, BIAN, BOR, BIOR, BXOR, BIXOR, BLD, BILD, BST, BIST	B	20
	BSET/EQ, BSET/NE, BCLR/EQ, BCLR/NE, BSTZ, BISTZ	B	
	BFLD, BFST	B	

Function	Instructions	Size	Types
Branch	BRA/BS, BRA/BC, BSR/BS, BSR/BC	B* ³	9
	Bcc* ⁵ , JMP, BSR, JSR, RTS	—	
	RTS/L	L* ⁵	
	BRA/S	—	
System control	TRAPA, RTE, SLEEP, NOP	—	10
	RTE/L	L* ⁵	
	LDC, STC, ANDC, ORC, XORC	B/W/L	
		Total	87

[Legend]

B: Byte size

W: Word size

L: Longword size

- Notes: 1. POP.W Rn and PUSH.W Rn are identical to MOV.W @SP+, Rn and MOV.W Rn, @-SP.
 POP.L ERn and PUSH.L ERn are identical to MOV.L @SP+, ERn and MOV.L ERn, @-SP.
2. Size of data to be added with a displacement
 3. Size of data to specify a branch condition
 4. Bcc is the generic designation of a conditional branch instruction.
 5. Size of general register to be restored
 6. Not available in this LSI.

2.7.1 Instructions and Addressing Modes

Table 2.2 indicates the combinations of instructions and addressing modes that the H8SX CPU can use.

Table 2.2 Combinations of Instructions and Addressing Modes (1)

Classification	Instruction	Size	#xx	Rn	@ERn	Addressing Mode				
						@(d, ERn)	@(d, ERn) Rn.L.B/ Rn.W/ ERn.L)	@-ERn/ @ERn+/ @ERn-/ @+ERn	@aa:16/ @aa:32	—
Data transfer	MOV	B/W/L	S	SD	SD	SD	SD	SD	SD	SD
		B		S/D					S/D	
	MOVFP, MOVTP ^{*12}	B		S/D					S/D ^{*1}	
	POP, PUSH	W/L		S/D				S/D ^{*2}		
	LDM, STM	L		S/D				S/D ^{*2}		
	MOVA ^{*4}	B/W		S	S	S	S	S	S	S
Block transfer	EEPMOV	B								SD ^{*3}
	MOVMD	B/W/L								SD ^{*3}
	MOVSD	B								SD ^{*3}
Arithmetic operations	ADD, CMP	B	S	D	D	D	D	D	D	D
		B		S	D	D	D	D	D	D
		B		D	S	S	S	S	S	S
		B			SD	SD	SD	SD		SD
		W/L	S	SD	SD	SD	SD	SD		SD
	SUB	B	S		D	D	D	D	D	D
		B		S	D	D	D	D	D	D
		B		D	S	S	S	S	S	S
		B			SD	SD	SD	SD		SD
		W/L	S	SD	SD	SD	SD	SD		SD
	ADDX, SUBX	B/W/L	S		SD					
		B/W/L	S		SD					
		B/W/L	S					SD ^{*5}		
	INC, DEC	B/W/L		D						
	ADDS, SUBS	L		D						
	DAA, DAS	B		D						
	MULXU, DIVXU	B/W	S:4	SD						
	MULU, DIVU	W/L	S:4	SD						

Classifi- cation	Instruction	Size	#xx	Rn	Addressing Mode						
					@ERn	@(d,ERn)	@(d, RnL.B/ Rn.W/ ERn.L)	@-ERn/ @ERn+/ @ERn-/ @+ERn	@aa:8	@aa:16/ @aa:32	—
Arithmetic operations	MULXS, DIVXS	B/W	S:4	SD							
	MULS, DIVS	W/L	S:4	SD							
	NEG	B		D	D	D	D	D	D	D	
		W/L		D	D	D	D	D	D	D	
	EXTU, EXTS	W/L		D	D	D	D	D	D	D	
	TAS	B			D						
	MAC	—									
	CLRMAC	—									O
	LDMAC	—		S							
STMAC	—		D								
Logic operations	AND, OR, XOR	B		S	D	D	D	D	D	D	
		B		D	S	S	S	S	S	S	
		B			SD	SD	SD	SD		SD	
		W/L	S	SD	SD	SD	SD	SD		SD	
	NOT	B		D	D	D	D	D	D	D	
		W/L		D	D	D	D	D	D	D	
Shift	SHLL, SHLR	B		D	D	D	D	D	D	D	
		W/L* ⁶		D	D	D	D	D	D	D	
		B/W/L* ⁷		D							
	SHAL, SHAR ROTL, ROTR ROTXL, ROTXR	B		D	D	D	D	D	D	D	
		W/L		D	D	D	D	D	D	D	
Bit manipu- lation	BSET, BCLR, BNOT, BTST, BSET/cc, BCLR/cc	B		D	D				D	D	
		BAND, BIAND, BOR, BIOR, BXOR, BIXOR, BLD, BILD, BST, BIST, BSTZ, BISTZ	B		D	D				D	D
Bit manipu- lation	BFLD	B		D	S				S	S	
	BFST	B		S	D				D	D	

Classification	Instruction	Size	#xx	Rn	@ERn	Addressing Mode						
						@(d, ERn)	@(d, ERn) Rn.L.B/ Rn.W/ ERn.L	@-ERn/ @ERn+/ @ERn-/ @+ERn	@aa:8	@aa:16/ @aa:32	—	
Branch	BRA/BS, BRA/BC* ⁸	B			S				S	S		
	BSR/BS, BSR/BC* ⁸	B			S				S	S		
System control	LDC (CCR, EXR)	B/W* ⁹	S	S	S	S			S* ¹⁰		S	
	LDC (VBR, SBR)	L			S							
	STC (CCR, EXR)	B/W* ⁹		D	D	D			D* ¹¹		D	
	STC (VBR, SBR)	L			D							
	ANDC, ORC, XORC	B		S								
	SLEEP	—										O
	NOP	—										O

[Legend]

d: d:16 or d:32

S: Can be specified as a source operand.

D: Can be specified as a destination operand.

SD: Can be specified as either a source or destination operand or both.

S/D: Can be specified as either a source or destination operand.

S:4: 4-bit immediate data can be specified as a source operand.

- Notes:
1. Only @aa:16 is available.
 2. @ERn+ as a source operand and @-ERn as a destination operand
 3. Specified by ER5 as a source address and ER6 as a destination address for data transfer.
 4. Size of data to be added with a displacement
 5. Only @ERn- is available
 6. When the number of bits to be shifted is 1, 2, 4, 8, or 16
 7. When the number of bits to be shifted is specified by 5-bit immediate data or a general register
 8. Size of data to specify a branch condition
 9. Byte when immediate or register direct, otherwise, word
 10. Only @ERn+ is available
 11. Only @-ERn is available
 12. Not available in this LSI.

Table 2.2 Combinations of Instructions and Addressing Modes (2)

Classifi- cation	Instruction	Size	Addressing Mode							
			@ERn	@(d,PC)	@(RnL, B/Rn.W/ ERn.L, PC)	@aa:24	@ aa:32	@@ aa:8	@@vec:7 —	
Branch	BRA/BS, BRA/BC	—		O						
	BSR/BS, BSR/BC	—		O						
	Bcc	—		O						
	BRA	—		O	O					
	BRA/S	—		O*						
	JMP	—	O			O	O	O	O	
	BSR	—		O						
	JSR	—	O			O	O	O	O	
	RTS, RTS/L	—								O
System control	TRAPA	—								O
	RTE, RTE/L	—								O

[Legend]

d: d:8 or d:16

Note: * Only @(d:8, PC) is available.

2.7.2 Table of Instructions Classified by Function

Tables 2.4 to 2.11 summarize the instructions in each functional category. The notation used in these tables is defined in table 2.3.

Table 2.3 Operation Notation

Operation Notation	Description
Rd	General register (destination)*
Rs	General register (source)*
Rn	General register*
ERn	General register (32-bit register)
(EAd)	Destination operand
(EAs)	Source operand
EXR	Extended control register
CCR	Condition-code register
VBR	Vector base register
SBR	Short address base register
N	N (negative) flag in CCR
Z	Z (zero) flag in CCR
V	V (overflow) flag in CCR
C	C (carry) flag in CCR
PC	Program counter
SP	Stack pointer
#IMM	Immediate data
disp	Displacement
+	Addition
-	Subtraction
×	Multiplication
÷	Division
^	Logical AND
∨	Logical OR
⊕	Logical exclusive OR
→	Move
~	Logical not (logical complement)
:8/:16/:24/:32	8-, 16-, 24-, or 32-bit length

Note: * General registers include 8-bit registers (R0H to R7H, R0L to R7L), 16-bit registers (R0 to R7, E0 to E7), and 32-bit registers (ER0 to ER7).

Table 2.4 Data Transfer Instructions

Instruction	Size	Function
MOV	B/W/L	#IMM → (EAd), (EAs) → (EAd) Transfers data between immediate data, general registers, and memory.
MOVFPPE*	B	(EAs) → Rd
MOVTPPE*	B	Rs → (EAs)
POP	W/L	@SP+ → Rn Restores the data from the stack to a general register.
PUSH	W/L	Rn → @-SP Saves general register contents on the stack.
LDM	L	@SP+ → Rn (register list) Restores the data from the stack to multiple general registers. Two, three, or four general registers which have serial register numbers can be specified.
STM	L	Rn (register list) → @-SP Saves the contents of multiple general registers on the stack. Two, three, or four general registers which have serial register numbers can be specified.
MOVA	B/W	EA → Rd Zero-extends and shifts the contents of a specified general register or memory data and adds them with a displacement. The result is stored in a general register.

Note: * Not available in this LSI.

Table 2.5 Block Transfer Instructions

Instruction	Size	Function
EEPMOV.B EEPMOV.W	B	Transfers a data block. Transfers byte data which begins at a memory location specified by ER5 to a memory location specified by ER6. The number of byte data to be transferred is specified by R4 or R4L.
MOVMD.B	B	Transfers a data block. Transfers byte data which begins at a memory location specified by ER5 to a memory location specified by ER6. The number of byte data to be transferred is specified by R4.
MOVMD.W	W	Transfers a data block. Transfers word data which begins at a memory location specified by ER5 to a memory location specified by ER6. The number of word data to be transferred is specified by R4.
MOVMD.L	L	Transfers a data block. Transfers longword data which begins at a memory location specified by ER5 to a memory location specified by ER6. The number of longword data to be transferred is specified by R4.
MOVSD.B	B	Transfers a data block with zero data detection. Transfers byte data which begins at a memory location specified by ER5 to a memory location specified by ER6. The number of byte data to be transferred is specified by R4. When zero data is detected during transfer, the transfer stops and execution branches to a specified address.

Table 2.6 Arithmetic Operation Instructions

Instruction	Size	Function
ADD	B/W/L	$(EAd) \pm \#IMM \rightarrow (EAd)$, $(EAd) \pm (EAs) \rightarrow (EAd)$
SUB		Performs addition or subtraction on data between immediate data, general registers, and memory. Immediate byte data cannot be subtracted from byte data in a general register.
ADDX	B/W/L	$(EAd) \pm \#IMM \pm C \rightarrow (EAd)$, $(EAd) \pm (EAs) \pm C \rightarrow (EAd)$
SUBX		Performs addition or subtraction with carry on data between immediate data, general registers, and memory. The addressing mode which specifies a memory location can be specified as register indirect with post-decrement or register indirect.
INC	B/W/L	$Rd \pm 1 \rightarrow Rd$, $Rd \pm 2 \rightarrow Rd$
DEC		Increments or decrements a general register by 1 or 2. (Byte operands can be incremented or decremented by 1 only.)
ADDS	L	$Rd \pm 1 \rightarrow Rd$, $Rd \pm 2 \rightarrow Rd$, $Rd \pm 4 \rightarrow Rd$
SUBS		Adds or subtracts the value 1, 2, or 4 to or from data in a general register.
DAA	B	Rd (decimal adjust) $\rightarrow Rd$
DAS		Decimal-adjusts an addition or subtraction result in a general register by referring to the CCR to produce 2-digit 4-bit BCD data.
MULXU	B/W	$Rd \times Rs \rightarrow Rd$ Performs unsigned multiplication on data in two general registers: either 8 bits \times 8 bits \rightarrow 16 bits, or 16 bits \times 16 bits \rightarrow 32 bits.
MULU	W/L	$Rd \times Rs \rightarrow Rd$ Performs unsigned multiplication on data in two general registers: either 8 bits \times 8 bits \rightarrow 16 bits, or 16 bits \times 16 bits \rightarrow 32 bits.
MULU/U	L	$Rd \times Rs \rightarrow Rd$ Performs unsigned multiplication on data in two general registers (32 bits \times 32 bits \rightarrow upper 32 bits).
MULXS	B/W	$Rd \times Rs \rightarrow Rd$ Performs signed multiplication on data in two general registers: either 8 bits \times 8 bits \rightarrow 16 bits, or 16 bits \times 16 bits \rightarrow 32 bits.
MULS	W/L	$Rd \times Rs \rightarrow Rd$ Performs signed multiplication on data in two general registers: either 16 bits \times 16 bits \rightarrow 16 bits, or 32 bits \times 32 bits \rightarrow 32 bits.
MULS/U	L	$Rd \times Rs \rightarrow Rd$ Performs signed multiplication on data in two general registers (32 bits \times 32 bits \rightarrow upper 32 bits).

Instruction	Size	Function
DIVXU	B/W	$Rd \div Rs \rightarrow Rd$ Performs unsigned division on data in two general registers: either 16 bits \div 8 bits \rightarrow 8-bit quotient and 8-bit remainder, or 32 bits \div 16 bits \rightarrow 16-bit quotient and 16-bit remainder.
DIVU	W/L	$Rd \div Rs \rightarrow Rd$ Performs unsigned division on data in two general registers: either 16 bits \div 16 bits \rightarrow 16-bit quotient, or 32 bits \div 32 bits \rightarrow 32-bit quotient.
DIVXS	B/W	$Rd \div Rs \rightarrow Rd$ Performs signed division on data in two general registers: either 16 bits \div 8 bits \rightarrow 8-bit quotient and 8-bit remainder, or 32 bits \div 16 bits \rightarrow 16-bit quotient and 16-bit remainder.
DIVS	W/L	$Rd \div Rs \rightarrow Rd$ Performs signed division on data in two general registers: either 16 bits \div 16 bits \rightarrow 16-bit quotient, or 32 bits \div 32 bits \rightarrow 32-bit quotient.
CMP	B/W/L	$(EAd) - \#IMM, (EAd) - (EAs)$ Compares data between immediate data, general registers, and memory and stores the result in CCR.
NEG	B/W/L	$0 - (EAd) \rightarrow (EAd)$ Takes the two's complement (arithmetic complement) of data in a general register or the contents of a memory location.
EXTU	W/L	$(EAd) \text{ (zero extension)} \rightarrow (EAd)$ Performs zero-extension on the lower 8 or 16 bits of data in a general register or memory to word or longword size. The lower 8 bits to word or longword, or the lower 16 bits to longword can be zero-extended.
EXTS	W/L	$(EAd) \text{ (sign extension)} \rightarrow (EAd)$ Performs sign-extension on the lower 8 or 16 bits of data in a general register or memory to word or longword size. The lower 8 bits to word or longword, or the lower 16 bits to longword can be sign-extended.
TAS	B	$@ERd - 0, 1 \rightarrow \langle \text{bit 7} \rangle \text{ of } @EAd$ Tests memory contents, and sets the most significant bit (bit 7) to 1.
MAC	—	$(EAs) \times (EAd) + MAC \rightarrow MAC$ Performs signed multiplication on memory contents and adds the result to MAC.
CLRMAC	—	$0 \rightarrow MAC$ Clears MAC to zero.

Instruction	Size	Function
LDMAC	—	Rs → MAC Loads data from a general register to MAC.
STMAC	—	MAC → Rd Stores data from MAC to a general register.

Table 2.7 Logic Operation Instructions

Instruction	Size	Function
AND	B/W/L	$(EAd) \wedge \#IMM \rightarrow (EAd)$, $(EAd) \wedge (EAs) \rightarrow (EAd)$ Performs a logical AND operation on data between immediate data, general registers, and memory.
OR	B/W/L	$(EAd) \vee \#IMM \rightarrow (EAd)$, $(EAd) \vee (EAs) \rightarrow (EAd)$ Performs a logical OR operation on data between immediate data, general registers, and memory.
XOR	B/W/L	$(EAd) \oplus \#IMM \rightarrow (EAd)$, $(EAd) \oplus (EAs) \rightarrow (EAd)$ Performs a logical exclusive OR operation on data between immediate data, general registers, and memory.
NOT	B/W/L	$\sim (EAd) \rightarrow (EAd)$ Takes the one's complement of the contents of a general register or a memory location.

Table 2.8 Shift Operation Instructions

Instruction	Size	Function
SHLL	B/W/L	(EAd) (shift) → (EAd)
SHLR		Performs a logical shift on the contents of a general register or a memory location. The contents of a general register or a memory location can be shifted by 1, 2, 4, 8, or 16 bits. The contents of a general register can be shifted by any bits. In this case, the number of bits is specified by 5-bit immediate data or the lower 5 bits of the contents of a general register.
SHAL	B/W/L	(EAd) (shift) → (EAd)
SHAR		Performs an arithmetic shift on the contents of a general register or a memory location. 1-bit or 2-bit shift is possible.
ROTL	B/W/L	(EAd) (rotate) → (EAd)
ROTR		Rotates the contents of a general register or a memory location. 1-bit or 2-bit rotation is possible.
ROTXL	B/W/L	(EAd) (rotate) → (EAd)
ROTXR		Rotates the contents of a general register or a memory location with the carry bit. 1-bit or 2-bit rotation is possible.

Table 2.9 Bit Manipulation Instructions

Instruction	Size	Function
BSET	B	$1 \rightarrow (\text{<bit-No.> of <EAd>})$ Sets a specified bit in the contents of a general register or a memory location to 1. The bit number is specified by 3-bit immediate data or the lower three bits of a general register.
BSET/cc	B	$\text{if cc, } 1 \rightarrow (\text{<bit-No.> of <EAd>})$ If the specified condition is satisfied, this instruction sets a specified bit in a memory location to 1. The bit number can be specified by 3-bit immediate data, or by the lower three bits of a general register. The Z flag status can be specified as a condition.
BCLR	B	$0 \rightarrow (\text{<bit-No.> of <EAd>})$ Clears a specified bit in the contents of a general register or a memory location to 0. The bit number is specified by 3-bit immediate data or the lower three bits of a general register.
BCLR/cc	B	$\text{if cc, } 0 \rightarrow (\text{<bit-No.> of <EAd>})$ If the specified condition is satisfied, this instruction clears a specified bit in a memory location to 0. The bit number can be specified by 3-bit immediate data, or by the lower three bits of a general register. The Z flag status can be specified as a condition.
BNOT	B	$\sim (\text{<bit-No.> of <EAd>}) \rightarrow (\text{<bit-No.> of <EAd>})$ Inverts a specified bit in the contents of a general register or a memory location. The bit number is specified by 3-bit immediate data or the lower three bits of a general register.
BTST	B	$\sim (\text{<bit-No.> of <EAd>}) \rightarrow Z$ Tests a specified bit in the contents of a general register or a memory location and sets or clears the Z flag accordingly. The bit number is specified by 3-bit immediate data or the lower three bits of a general register.
BAND	B	$C \wedge (\text{<bit-No.> of <EAd>}) \rightarrow C$ ANDs the carry flag with a specified bit in the contents of a general register or a memory location and stores the result in the carry flag. The bit number is specified by 3-bit immediate data.
BIAND	B	$C \wedge [\sim (\text{<bit-No.> of <EAd>})] \rightarrow C$ ANDs the carry flag with the inverse of a specified bit in the contents of a general register or a memory location and stores the result in the carry flag. The bit number is specified by 3-bit immediate data.

Instruction	Size	Function
BOR	B	$C \vee \langle \text{bit-No.} \rangle \text{ of } \langle \text{EAd} \rangle \rightarrow C$ ORs the carry flag with a specified bit in the contents of a general register or a memory location and stores the result in the carry flag. The bit number is specified by 3-bit immediate data.
BIOR	B	$C \vee [\sim \langle \text{bit-No.} \rangle \text{ of } \langle \text{EAd} \rangle] \rightarrow C$ ORs the carry flag with the inverse of a specified bit in the contents of a general register or a memory location and stores the result in the carry flag. The bit number is specified by 3-bit immediate data.
BXOR	B	$C \oplus \langle \text{bit-No.} \rangle \text{ of } \langle \text{EAd} \rangle \rightarrow C$ Exclusive-ORs the carry flag with a specified bit in the contents of a general register or a memory location and stores the result in the carry flag. The bit number is specified by 3-bit immediate data.
BIXOR	B	$C \oplus [\sim \langle \text{bit-No.} \rangle \text{ of } \langle \text{EAd} \rangle] \rightarrow C$ Exclusive-ORs the carry flag with the inverse of a specified bit in the contents of a general register or a memory location and stores the result in the carry flag. The bit number is specified by 3-bit immediate data.
BLD	B	$\langle \text{bit-No.} \rangle \text{ of } \langle \text{EAd} \rangle \rightarrow C$ Transfers a specified bit in the contents of a general register or a memory location to the carry flag. The bit number is specified by 3-bit immediate data.
BILD	B	$\sim \langle \text{bit-No.} \rangle \text{ of } \langle \text{EAd} \rangle \rightarrow C$ Transfers the inverse of a specified bit in the contents of a general register or a memory location to the carry flag. The bit number is specified by 3-bit immediate data.
BST	B	$C \rightarrow \langle \text{bit-No.} \rangle \text{ of } \langle \text{EAd} \rangle$ Transfers the carry flag value to a specified bit in the contents of a general register or a memory location. The bit number is specified by 3-bit immediate data.
BSTZ	B	$Z \rightarrow \langle \text{bit-No.} \rangle \text{ of } \langle \text{EAd} \rangle$ Transfers the zero flag value to a specified bit in the contents of a memory location. The bit number is specified by 3-bit immediate data.
BIST	B	$\sim C \rightarrow \langle \text{bit-No.} \rangle \text{ of } \langle \text{EAd} \rangle$ Transfers the inverse of the carry flag value to a specified bit in the contents of a general register or a memory location. The bit number is specified by 3-bit immediate data.

Instruction	Size	Function
BISTZ	B	~ Z → (<bit-No.> of <EAd>) Transfers the inverse of the zero flag value to a specified bit in the contents of a memory location. The bit number is specified by 3-bit immediate data.
BFLD	B	(EAs) (bit field) → Rd Transfers a specified bit field in memory location contents to the lower bits of a specified general register.
BFST	B	Rs → (EAd) (bit field) Transfers the lower bits of a specified general register to a specified bit field in memory location contents.

Table 2.10 Branch Instructions

Instruction	Size	Function
BRA/BS BRA/BC	B	Tests a specified bit in memory location contents. If the specified condition is satisfied, execution branches to a specified address.
BSR/BS BSR/BC	B	Tests a specified bit in memory location contents. If the specified condition is satisfied, execution branches to a subroutine at a specified address.
Bcc	—	Branches to a specified address if the specified condition is satisfied.
BRA/S	—	Branches unconditionally to a specified address after executing the next instruction. The next instruction should be a 1-word instruction except for the block transfer and branch instructions.
JMP	—	Branches unconditionally to a specified address.
BSR	—	Branches to a subroutine at a specified address.
JSR	—	Branches to a subroutine at a specified address.
RTS	—	Returns from a subroutine.
RTS/L	—	Returns from a subroutine, restoring data from the stack to multiple general registers.

Table 2.11 System Control Instructions

Instruction	Size	Function
TRAPA	—	Starts trap-instruction exception handling.
RTE	—	Returns from an exception-handling routine.
RTE/L	—	Returns from an exception-handling routine, restoring data from the stack to multiple general registers.
SLEEP	—	Causes a transition to a power-down state.
LDC	B/W	#IMM → CCR, (EAs) → CCR, #IMM → EXR, (EAs) → EXR Loads immediate data or the contents of a general register or a memory location to CCR or EXR. Although CCR and EXR are 8-bit registers, word-size transfers are performed between them and memory. The upper 8 bits are valid.
	L	Rs → VBR, Rs → SBR Transfers the general register contents to VBR or SBR.
STC	B/W	CCR → (EAd), EXR → (EAd) Transfers the contents of CCR or EXR to a general register or memory. Although CCR and EXR are 8-bit registers, word-size transfers are performed between them and memory. The upper 8 bits are valid.
	L	VBR → Rd, SBR → Rd Transfers the contents of VBR or SBR to a general register.
ANDC	B	CCR ∧ #IMM → CCR, EXR ∧ #IMM → EXR Logically ANDs the CCR or EXR contents with immediate data.
ORC	B	CCR ∨ #IMM → CCR, EXR ∨ #IMM → EXR Logically ORs the CCR or EXR contents with immediate data.
XORC	B	CCR ⊕ #IMM → CCR, EXR ⊕ #IMM → EXR Logically exclusive-ORs the CCR or EXR contents with immediate data.
NOP	—	PC + 2 → PC Only increments the program counter.

2.7.3 Basic Instruction Formats

The H8SX CPU instructions consist of 2-byte (1-word) units. An instruction consists of an operation field (op field), a register field (r field), an effective address extension (EA field), and a condition field (cc).

Figure 2.14 shows examples of instruction formats.

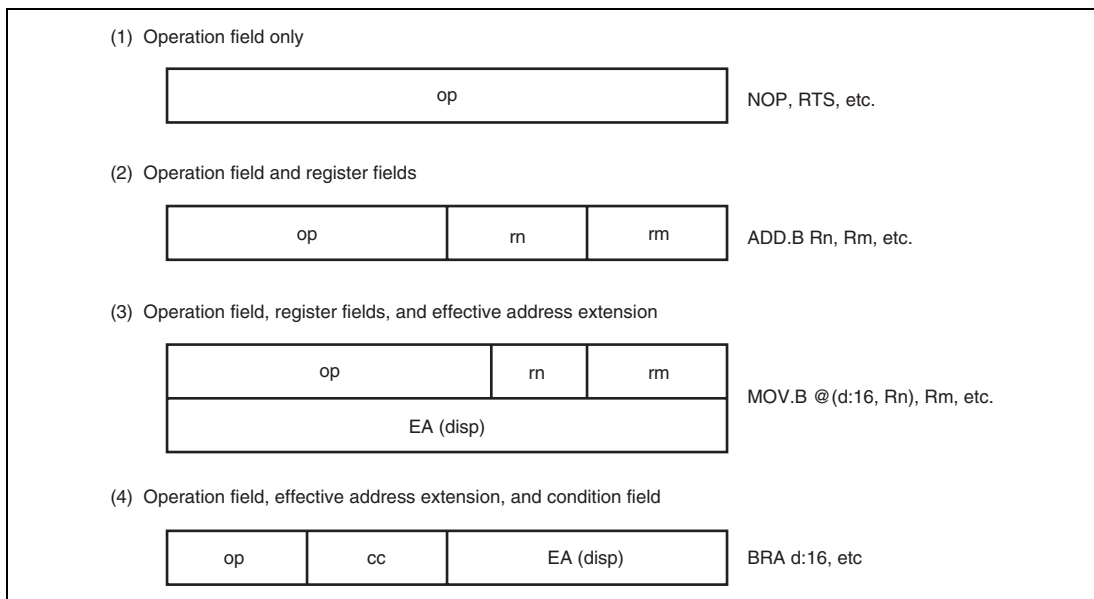


Figure 2.14 Instruction Formats

- **Operation Field**
Indicates the function of the instruction, and specifies the addressing mode and operation to be carried out on the operand. The operation field always includes the first four bits of the instruction. Some instructions have two operation fields.
- **Register Field**
Specifies a general register. Address registers are specified by 3 bits, data registers by 3 bits or 4 bits. Some instructions have two register fields. Some have no register field.
- **Effective Address Extension**
8, 16, or 32 bits specifying immediate data, an absolute address, or a displacement.
- **Condition Field**
Specifies the branch condition of Bcc instructions.

2.8 Addressing Modes and Effective Address Calculation

The H8SX CPU supports the 11 addressing modes listed in table 2.12. Each instruction uses a subset of these addressing modes.

Bit manipulation instructions use register direct, register indirect, or absolute addressing mode to specify an operand, and register direct (BSET, BCLR, BNOT, and BTST instructions) or immediate (3-bit) addressing mode to specify a bit number in the operand.

Table 2.12 Addressing Modes

No.	Addressing Mode	Symbol
1	Register direct	Rn
2	Register indirect	@ERn
3	Register indirect with displacement	@(d:2,ERn)/@(d:16,ERn)/@(d:32,ERn)
4	Index register indirect with displacement	@(d:16, RnL.B)/@(d:16,Rn.W)/@(d:16,ERn.L) @(d:32, RnL.B)/@(d:32,Rn.W)/@(d:32,ERn.L)
5	Register indirect with post-increment	@ERn+
	Register indirect with pre-decrement	@-ERn
	Register indirect with pre-increment	@+ERn
	Register indirect with post-decrement	@ERn-
6	Absolute address	@aa:8/@aa:16/@aa:24/@aa:32
7	Immediate	#xx:3/#xx:4/#xx:8/#xx:16/#xx:32
8	Program-counter relative	@(d:8,PC)/@(d:16,PC)
9	Program-counter relative with index register	@(RnL.B,PC)/@(Rn.W,PC)/@(ERn.L,PC)
10	Memory indirect	@@aa:8
11	Extended memory indirect	@@vec:7

2.8.1 Register Direct—Rn

The operand value is the contents of an 8-, 16-, or 32-bit general register which is specified by the register field in the instruction code.

R0H to R7H and R0L to R7L can be specified as 8-bit registers.

R0 to R7 and E0 to E7 can be specified as 16-bit registers.

ER0 to ER7 can be specified as 32-bit registers.

2.8.2 Register Indirect—@ERn

The operand value is the contents of the memory location which is pointed to by the contents of an address register (ERn). ERn is specified by the register field of the instruction code.

In advanced mode, if this addressing mode is used in a branch instruction, the lower 24 bits are valid and the upper 8 bits are all assumed to be 0 (H'00).

2.8.3 Register Indirect with Displacement —@(d:2, ERn), @(d:16, ERn), or @(d:32, ERn)

The operand value is the contents of a memory location which is pointed to by the sum of the contents of an address register (ERn) and a 16- or 32-bit displacement. ERn is specified by the register field of the instruction code. The displacement is included in the instruction code and the 16-bit displacement is sign-extended when added to ERn.

This addressing mode has a short format (@(d:2, ERn)). The short format can be used when the displacement is 1, 2, or 3 and the operand is byte data, when the displacement is 2, 4, or 6 and the operand is word data, or when the displacement is 4, 8, or 12 and the operand is longword data.

2.8.4 Index Register Indirect with Displacement—@(d:16,RnL.B**), @(**d:32,RnL.B**), @(**d:16,Rn.W**), @(**d:32,Rn.W**), @(**d:16,ERn.L**), or @(**d:32,ERn.L**)**

The operand value is the contents of a memory location which is pointed to by the sum of the following operation result and a 16- or 32-bit displacement: a specified bits of the contents of an address register (RnL, Rn, ERn) specified by the register field in the instruction code are zero-extended to 32-bit data and multiplied by 1, 2, or 4. The displacement is included in the instruction code and the 16-bit displacement is sign-extended when added to ERn. If the operand is byte data, ERn is multiplied by 1. If the operand is word or longword data, ERn is multiplied by 2 or 4, respectively.

2.8.5 Register Indirect with Post-Increment, Pre-Decrement, Pre-Increment, or Post-Decrement—@ERn+, @-ERn, @+ERn, or @ERn-

(1) Register indirect with post-increment—@ERn+

The operand value is the contents of a memory location which is pointed to by the contents of an address register (ERn). ERn is specified by the register field of the instruction code. After the memory location is accessed, 1, 2, or 4 is added to the address register contents and the sum is stored in the address register. The value added is 1 for byte access, 2 for word access, or 4 for longword access.

(2) Register indirect with pre-decrement—@-ERn

The operand value is the contents of a memory location which is pointed to by the following operation result: the value 1, 2, or 4 is subtracted from the contents of an address register (ERn). ERn is specified by the register field of the instruction code. After that, the operand value is stored in the address register. The value subtracted is 1 for byte access, 2 for word access, or 4 for longword access.

(3) Register indirect with pre-increment—@+ERn

The operand value is the contents of a memory location which is pointed to by the following operation result: the value 1, 2, or 4 is added to the contents of an address register (ERn). ERn is specified by the register field of the instruction code. After that, the operand value is stored in the address register. The value added is 1 for byte access, 2 for word access, or 4 for longword access.

(4) Register indirect with post-decrement—@ERn–

The operand value is the contents of a memory location which is pointed to by the contents of an address register (ERn). ERn is specified by the register field of the instruction code. After the memory location is accessed, 1, 2, or 4 is subtracted from the address register contents and the remainder is stored in the address register. The value subtracted is 1 for byte access, 2 for word access, or 4 for longword access.

If the contents of a general register which is also used as an address register is written to memory using this addressing mode, data to be written is the contents of the general register after calculating an effective address. If the same general register is specified in an instruction and two effective addresses are calculated, the contents of the general register after the first calculation of an effective address is used in the second calculation of an effective address.

Example 1:

```
MOV.W    R0, @ER0+
```

When ER0 before execution is H'12345678, H'567A is written at H'12345678.

Example 2:

```
MOV.B @ER0+, @ER0+
```

When ER0 before execution is H'00001000, H'00001000 is read and the contents is written at H'00001001.

After execution, ER0 is H'00001002.

2.8.6 Absolute Address—@aa:8, @aa:16, @aa:24, or @aa:32

The operand value is the contents of a memory location which is pointed to by an absolute address included in the instruction code.

There are 8-bit (@aa:8), 16-bit (@aa:16), 24-bit (@aa:24), and 32-bit (@aa:32) absolute addresses.

To access the data area, the absolute address of 8 bits (@aa:8), 16 bits (@aa:16), or 32 bits (@aa:32) is used. For an 8-bit absolute address, the upper 24 bits are specified by SBR. For a 16-bit absolute address, the upper 16 bits are sign-extended. A 32-bit absolute address can access the entire address space.

To access the program area, the absolute address of 24 bits (@aa:24) or 32 bits (@aa:32) is used. For a 24-bit absolute address, the upper 8 bits are all assumed to be 0 (H'00).

Table 2.13 shows the accessible absolute address ranges.

Table 2.13 Absolute Address Access Ranges

Absolute Address	Normal Mode	Middle Mode	Advanced Mode	Maximum Mode
Data area	8 bits (@aa:8)	A consecutive 256-byte area (the upper address is set in SBR)		
	16 bits (@aa:16)	H'0000 to H'FFFF	H'000000 to H'007FFF, H'FF8000 to H'FFFFFF	H'00000000 to H'00007FFF, H'FFFF8000 to H'FFFFFFF
	32 bits (@aa:32)			H'00000000 to H'FFFFFFF
Program area	24 bits (@aa:24)		H'000000 to H'FFFFFF	H'00000000 to H'00FFFFFF
	32 bits (@aa:32)			H'00000000 to H'00FFFFFF
				H'00000000 to H'FFFFFFF

2.8.7 Immediate—#xx

The operand value is 8-bit (#xx:8), 16-bit (#xx:16), or 32-bit (#xx:32) data included in the instruction code.

This addressing mode has short formats in which 3- or 4-bit immediate data can be used.

When the size of immediate data is less than that of the destination operand value (byte, word, or longword) the immediate data is zero-extended.

The ADDS, SUBS, INC, and DEC instructions contain immediate data implicitly. Some bit manipulation instructions contain 3-bit immediate data in the instruction code, for specifying a bit number. The BFLD and BFST instructions contain 8-bit immediate data in the instruction code, for specifying a bit field. The TRAPA instruction contains 2-bit immediate data in the instruction code, for specifying a vector address.

2.8.8 Program-Counter Relative—@(d:8, PC) or @(d:16, PC)

This mode is used in the Bcc and BSR instructions. The operand value is a 32-bit branch address, which is the sum of an 8- or 16-bit displacement in the instruction code and the 32-bit address of the PC contents. The 8-bit or 16-bit displacement is sign-extended to 32 bits when added to the PC contents. The PC contents to which the displacement is added is the address of the first byte of the next instruction, so the possible branching range is -126 to $+128$ bytes (-63 to $+64$ words) or -32766 to $+32768$ bytes (-16383 to $+16384$ words) from the branch instruction. The resulting value should be an even number. In advanced mode, only the lower 24 bits of this branch address are valid; the upper 8 bits are all assumed to be 0 (H'00).

2.8.9 Program-Counter Relative with Index Register—@(RnL.B, PC), @(Rn.W, PC), or @(ERn.L, PC)

This mode is used in the Bcc and BSR instructions. The operand value is a 32-bit branch address, which is the sum of the following operation result and the 32-bit address of the PC contents: the contents of an address register specified by the register field in the instruction code (RnL, Rn, or ERn) is zero-extended and multiplied by 2. The PC contents to which the displacement is added is the address of the first byte of the next instruction. In advanced mode, only the lower 24 bits of this branch address are valid; the upper 8 bits are all assumed to be 0 (H'00).

2.8.10 Memory Indirect—@@aa:8

This mode can be used by the JMP and JSR instructions. The operand value is a branch address, which is the contents of a memory location pointed to by an 8-bit absolute address in the instruction code.

The upper bits of an 8-bit absolute address are all assumed to be 0, so the address range is 0 to 255 (H'0000 to H'00FF in normal mode, H'000000 to H'0000FF in other modes).

In normal mode, the memory location is pointed to by word-size data and the branch address is 16 bits long. In other modes, the memory location is pointed to by longword-size data. In middle or advanced mode, the first byte of the longword-size data is assumed to be all 0 (H'00).

Note that the top part of the address range is also used as the exception handling vector area. A vector address of an exception handling other than a reset or a CPU address error can be changed by VBR.

Figure 2.15 shows an example of specification of a branch address using this addressing mode.

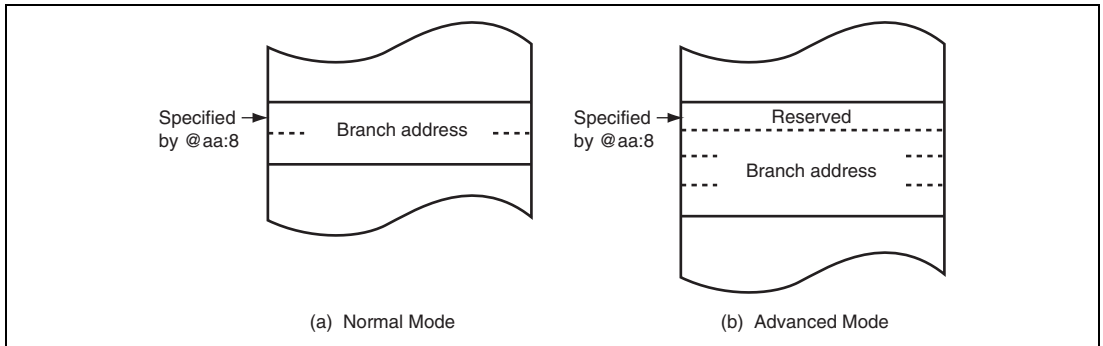


Figure 2.15 Branch Address Specification in Memory Indirect Mode

2.8.11 Extended Memory Indirect—@@vec:7

This mode can be used by the JMP and JSR instructions. The operand value is a branch address, which is the contents of a memory location pointed to by the following operation result: the sum of 7-bit data in the instruction code and the value of H'80 is multiplied by 2 or 4.

The address range to store a branch address is H'0100 to H'01FF in normal mode and H'000200 to H'0003FF in other modes. In assembler notation, an address to store a branch address is specified.

In normal mode, the memory location is pointed to by word-size data and the branch address is 16 bits long. In other modes, the memory location is pointed to by longword-size data. In middle or advanced mode, the first byte of the longword-size data is assumed to be all 0 (H'00).

2.8.12 Effective Address Calculation

Tables 2.14 and 2.15 show how effective addresses are calculated in each addressing mode. The lower bits of the effective address are valid and the upper bits are ignored (zero extended or sign extended) according to the CPU operating mode.

The valid bits in middle mode are as follows:

- The lower 16 bits of the effective address are valid and the upper 16 bits are sign-extended for the transfer and operation instructions.
- The lower 24 bits of the effective address are valid and the upper eight bits are zero-extended for the branch instructions.

Table 2.14 Effective Address Calculation for Transfer and Operation Instructions





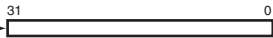
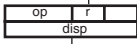
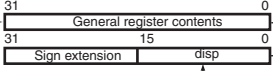
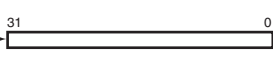

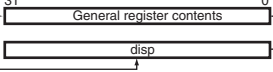
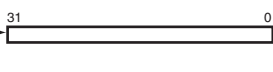
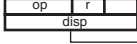
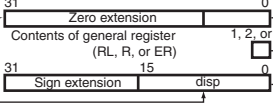
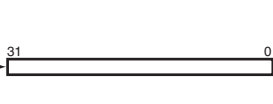

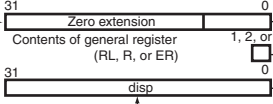
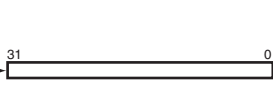

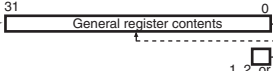
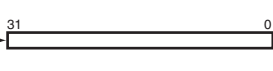

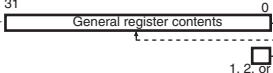
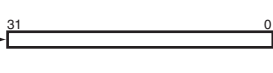

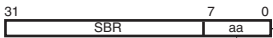
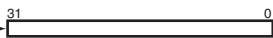
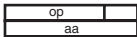
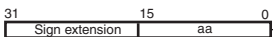
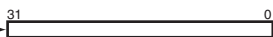
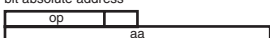
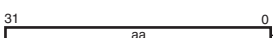

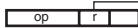

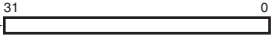

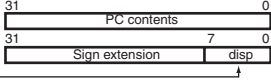

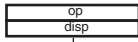
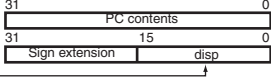

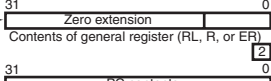
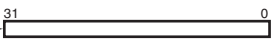

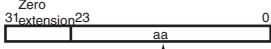
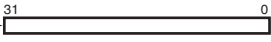
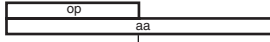
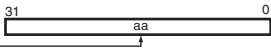

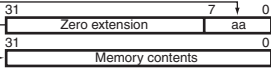
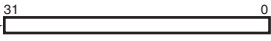

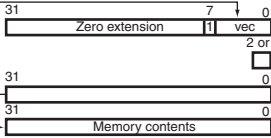

No.	Addressing Mode and Instruction Format	Effective Address Calculation	Effective Address (EA)
1	Immediate 		
2	Register direct 		
3	Register indirect 		
4	Register indirect with 16-bit displacement 		
	Register indirect with 32-bit displacement 		
5	Index register indirect with 16-bit displacement 		
	Index register indirect with 32-bit displacement 		
6	Register indirect with post-increment or post-decrement 		
	Register indirect with pre-increment or pre-decrement 		
7	8-bit absolute address 		
	16-bit absolute address 		
	32-bit absolute address 		

Table 2.15 Effective Address Calculation for Branch Instructions

No.	Addressing Mode and Instruction Format	Effective Address Calculation	Effective Address (EA)
1	Register indirect 		
2	Program-counter relative with 8-bit displacement 		
	Program-counter relative with 16-bit displacement 		
3	Program-counter relative with index register 		
4	24-bit absolute address 		
	32-bit absolute address 		
5	Memory indirect 		
6	Extended memory indirect 		

2.8.13 MOVA Instruction

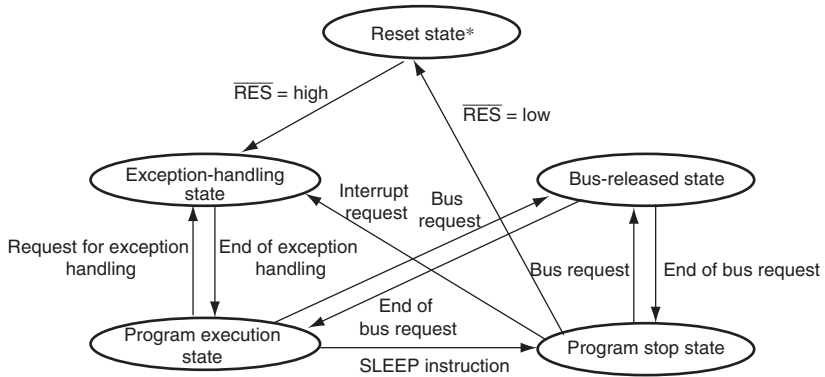
The MOVA instruction stores the effective address in a general register.

1. Firstly, data is obtained by the addressing mode shown in item 2 of table 2.14.
2. Next, the effective address is calculated using the obtained data as the index by the addressing mode shown in item 5 of table 2.14. The obtained data is used instead of the general register. The result is stored in a general register. For details, see H8SX Family Software Manual.

2.9 Processing States

The H8SX CPU has five main processing states: the reset state, exception-handling state, program execution state, bus-released state, and program stop state. Figure 2.16 indicates the state transitions.

- **Reset state**
In this state the CPU and internal peripheral modules are all initialized and stopped. When the $\overline{\text{RES}}$ input goes low, all current processing stops and the CPU enters the reset state. All interrupts are masked in the reset state. Reset exception handling starts when the $\overline{\text{RES}}$ signal changes from low to high. The reset state can also be entered by a watchdog timer overflow. For details, refer to section 4, Exception Handling.
- **Exception-handling state**
The exception-handling state is a transient state that occurs when the CPU alters the normal processing flow due to activation of an exception source, such as, a reset, trace, interrupt, or trap instruction. The CPU fetches a start address (vector) from the exception handling vector table and branches to that address. For further details, refer to section 4, Exception Handling.
- **Program execution state**
In this state the CPU executes program instructions in sequence.
- **Bus-released state**
In this state, the bus has been released in response to a bus request from the DMA controller (DMAC) and data transfer controller (DTC). While the bus is released, the CPU halts operations.
- **Program stop state**
This is a power-down state in which the CPU stops operating. The program stop state occurs when a SLEEP instruction is executed or the CPU enters software standby mode. For details, refer to section 19, Power-Down Modes.



Note: * A transition to the reset state occurs whenever the $\overline{\text{RES}}$ signal goes low. A transition can also be made to the reset state when the watchdog timer overflows.

Figure 2.16 State Transitions

Section 3 MCU Operating Modes

3.1 Operating Mode Selection

This LSI has three operating modes (modes 1 to 3). The operating mode is selected by the setting of mode pins (MD1 and MD0). Table 3.1 lists MCU operating mode settings.

In this LSI, advanced mode for the CPU operating mode and 16-Mbyte address space are available. LSI initiation mode can be selected from boot mode and user boot mode for programming/erasing the flash memory and single chip initiation mode.

Table 3.1 MCU Operating Mode Settings

MCU Operating Mode	MD1	MD0	CPU Operating Mode	Address Space	Description	On-Chip ROM
1	0	1	Advanced	16 Mbytes	User boot mode	Enabled
2	1	0			Boot mode	Enabled
3	1	1			Single chip initiation mode	Enabled

In mode 1 and mode 2, which are user boot mode and boot mode, the flash memory can be programmed and erased. For details on user boot mode and boot mode, see section 17, Flash Memory (0.18- μ m F-ZTAT Version).

In mode 3, this LSI operates in single chip mode.

3.2 Register Descriptions

The following registers are related to the operating mode setting.

- Mode control register (MDCR)
- System control register (SYSCR)

3.2.1 Mode Control Register (MDCR)

MDCR indicates the current operating mode. When MDCR is read, the states of signals input on pins MD1 and MD0 are latched. The latch is released by a reset.

Bit	15	14	13	12	11	10	9	8
Bit Name	—	—	—	—	MDS3	MDS2	MDS1	MDS0
Initial Value	0	1	0	1	Undefined*	Undefined*	Undefined*	Undefined*
R/W	R	R	R	R	R	R	R	R
Bit	7	6	5	4	3	2	1	0
Bit Name	—	—	—	—	—	—	—	—
Initial Value	0	1	0	1	Undefined*	Undefined*	Undefined*	Undefined*
R/W	R	R	R	R	R	R	R	R

Note: * Determined by pins MD1 and MD0.

Bit	Bit Name	Initial Value	R/W	Descriptions
15	—	0	R	Reserved
14	—	1	R	These are read-only bits and cannot be modified.
13	—	0	R	
12	—	1	R	
11	MDS3	Undefined*	R	
10	MDS2	Undefined*	R	These bits indicate the operating mode selected by the mode pins (MD1 and MD0) (see table 3.2).
9	MDS1	Undefined*	R	
8	MDS0	Undefined*	R	
7	—	0	R	Reserved
6	—	1	R	These are read-only bits and cannot be modified.
5	—	0	R	
4	—	1	R	
3	—	Undefined*	R	
2	—	Undefined*	R	
1	—	Undefined*	R	
0	—	Undefined*	R	

Note: * Determined by pins MD1 and MD0.

Table 3.2 Settings of Bits MSD3 to MSD0

MCU Operating Mode	MD1	MD0	MDCR			
			MDS3	MDS2	MDS1	MDS0
1	0	1	1	1	0	1
2	1	0	1	1	0	0
3	1	1	0	1	0	0

3.2.2 System Control Register (SYSCR)

SYSCR controls MAC saturation operation, selects DTC operating mode, and enables/disables the on-chip RAM and the flash memory control registers.

Bit	15	14	13	12	11	10	9	8
Bit Name	—	—	MACS	—	—	—	—	RAME
Initial Value	1	1	0	1	0	1	0	1
R/W	R	R	R/W	R	R/W	R/W	R/W	R/W
Bit	7	6	5	4	3	2	1	0
Bit Name	FLSHE	—	—	—	—	—	DTCMD	—
Initial Value	0	0	0	0	0	0	1	1
R/W	R/W	R/W	R/W	R/W	R/W	R/W	R/W	R/W

Bit	Bit Name	Initial Value	R/W	Descriptions
15, 14	—	All 1	R	Reserved These are read-only bits and cannot be modified.
13	MACS	0	R/W	MAC Saturation Operation Control Selects either saturation operation or non-saturation operation for the MAC instruction. 0: MAC instruction is non-saturation operation 1: MAC instruction is saturation operation
12	—	1	R	Reserved This is a read-only bit and cannot be modified.
11	—	0	R/W	Reserved This bit is always read as 0. The write value should always be 0.

Bit	Bit Name	Initial Value	R/W	Descriptions
10	—	1	R/W	Reserved This bit is always read as 1. The write value should always be 1.
9	—	0	R/W	Reserved This bit is always read as 0. The write value should always be 0.
8	RAME	1	R/W	RAM Enable Enables or disables the on-chip RAM. This bit is initialized when the reset state is released. Do not write 0 during access to the on-chip RAM. 0: On-chip RAM disabled 1: On-chip RAM enabled
7	FLSHE	0	R/W	Flash Memory Control Register Enable Controls accesses to the flash memory control registers. Setting this bit to 1 enables to read from and write to the flash memory control registers. Clearing this bit to 0 disables the flash memory control registers. At this time, the contents of the flash memory control registers are retained. The write value should be 0 when the LSI is not the flash memory version. 0: Disables the flash memory control registers 1: Enables the flash memory control registers
6 to 2	—	All 0	R/W	Reserved These bits are always read as 0. The write value should always be 0.
1	DTCMD	1	R/W	DTC Mode Select Selects DTC operating mode. 0: DTC is in full-address mode 1: DTC is in short address mode
0	—	1	R/W	Reserved This bit is always read as 1. The write value should always be 1.

3.3 Operating Mode Descriptions

3.3.1 Mode 1

Mode 1 is the user boot mode for the flash memory. The operations are the same as that in mode 3 other than programming/erasing the flash memory.

3.3.2 Mode 2

Mode 2 is the boot mode for the flash memory. The operations are the same as that in mode 3 other than programming/erasing the flash memory.

3.3.3 Mode 3

Mode 3 is advanced mode in which the address space is 16 Mbytes, and single-chip mode with the on-chip ROM enabled.

3.4 Address Map

3.4.1 Address Map

Figure 3.1 shows the address map.

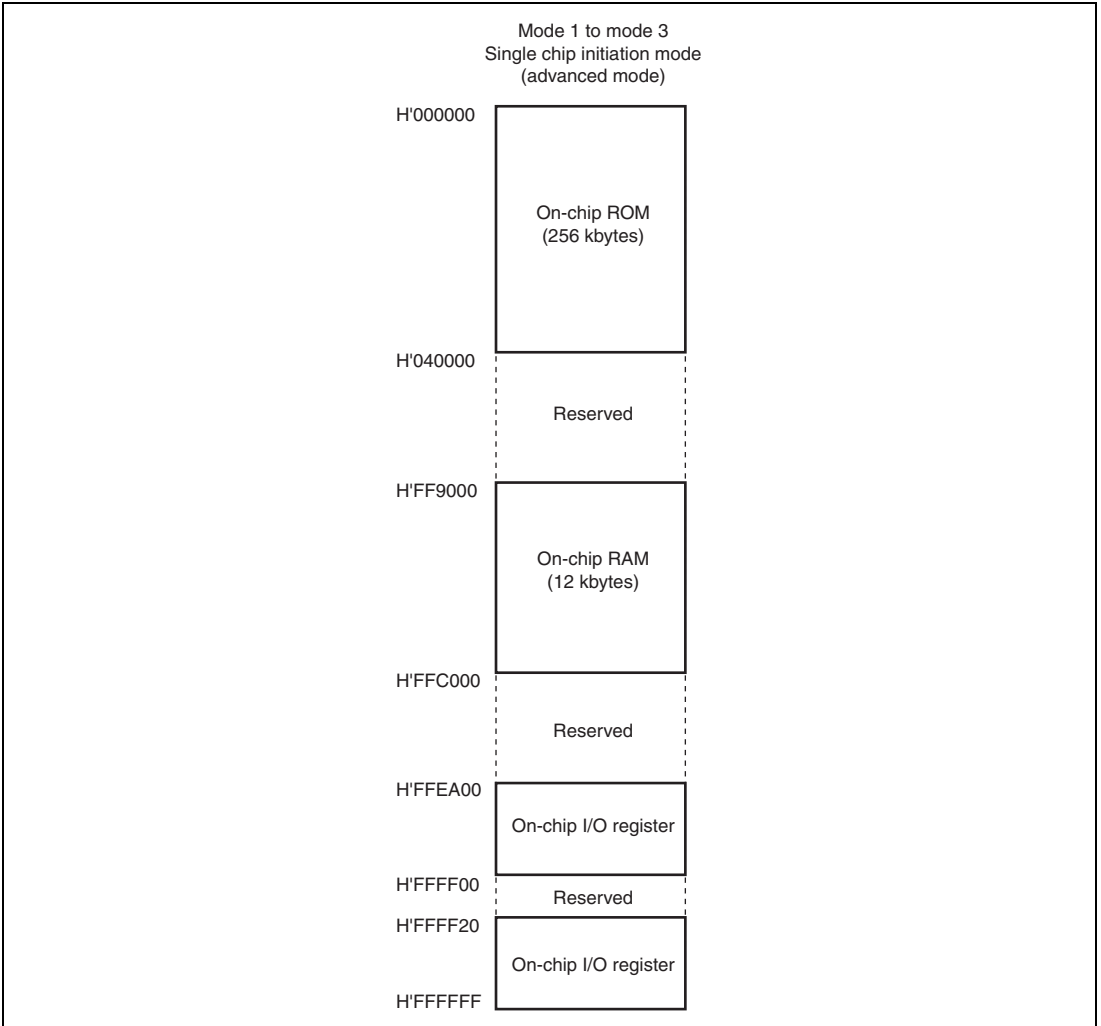



Figure 3.1 Address Map

Section 4 Exception Handling

4.1 Exception Handling Types and Priority

As table 4.1 indicates, exception handling is caused by a reset, a trace, an address error, an interrupt, a trap instruction, and illegal instructions (general illegal instruction and slot illegal instruction). Exception handling is prioritized as shown in table 4.1. If two or more exceptions occur simultaneously, they are accepted and processed in order of priority. Exception sources, the stack structure, and operation of the CPU vary depending on the interrupt control mode. For details on the interrupt control mode, see section 5, Interrupt Controller.

Table 4.1 Exception Types and Priority

Priority	Exception Type	Exception Handling Start Timing
High  ↑ ↓ Low	Reset	Exception handling starts at the timing of level change from low to high on the $\overline{\text{RES}}$ pin, or when the watchdog timer overflows. The CPU enters the reset state when the $\overline{\text{RES}}$ pin is low.
	Illegal instruction	Exception handling starts when an undefined code is executed.
	Trace* ¹	Exception handling starts after execution of the current instruction or exception handling, if the trace (T) bit in EXR is set to 1.
	Address error	After an address error occurs, the exception handling starts on completion of the current instruction execution.
	Interrupt	Exception handling starts after execution of the current instruction or exception handling, if an interrupt request has occurred.* ²
	Trap instruction* ³	Exception handling starts by execution of a trap instruction (TRAPA).

- Notes: 1. Traces are enabled only in interrupt control mode 2. Trace exception handling is not executed after execution of an RTE instruction.
2. Interrupt detection is not performed on completion of ANDC, ORC, XORC, or LDC instruction execution, or on completion of reset exception handling.
3. Trap instruction exception handling requests are accepted at all times in the program execution state.

4.2 Exception Sources and Exception Handling Vector Table

Different vector table address offsets are assigned to different exception sources. The vector table addresses are calculated from the contents of the vector base register (VBR) and vector table address offset of the vector number. The start address of the exception service routine is fetched from the exception handling vector table indicated by this vector table address.

Table 4.2 shows the correspondence between the exception sources and vector table address offsets. Table 4.3 shows the calculation method of exception handling vector table addresses.

Since the usable modes differ depending on the product, for details on the available modes, see section 3, MCU Operating Modes.

Table 4.2 Exception Handling Vector Table

Exception Source	Vector Number	Vector Table Address Offset* ¹		
		Normal Mode* ²	Advanced, Middle, Maximum Modes	
Reset	0	H'0000 to H'0001	H'0000 to H'0003	
Reserved for system use	1	H'0002 to H'0003	H'0004 to H'0007	
	2	H'0004 to H'0005	H'0008 to H'000B	
	3	H'0006 to H'0007	H'000C to H'000F	
Illegal instruction	4	H'0008 to H'0009	H'0010 to H'0013	
Trace	5	H'000A to H'000B	H'0014 to H'0017	
Reserved for system use	6	H'000C to H'000D	H'0018 to H'001B	
Interrupt (NMI)	7	H'000E to H'000F	H'001C to H'001F	
Trap instruction (#0)	8	H'0010 to H'0011	H'0020 to H'0023	
	(#1)	9	H'0012 to H'0013	H'0024 to H'0027
	(#2)	10	H'0014 to H'0015	H'0028 to H'002B
	(#3)	11	H'0016 to H'0017	H'002C to H'002F
CPU address error	12	H'0018 to H'0019	H'0030 to H'0033	
DMA address error* ³	13	H'001A to H'001B	H'0034 to H'0037	
Reserved for system use	14	H'001C to H'001D	H'0038 to H'003B	
	63	H'007E to H'007F	H'00FC to H'00FF	

Exception Source	Vector Number	Vector Table Address Offset* ¹		
		Normal Mode* ²	Advanced, Middle, Maximum Modes	
External interrupt	IRQ0	64	H'0080 to H'0081	H'0100 to H'0103
	IRQ1	65	H'0082 to H'0083	H'0104 to H'0107
	IRQ2	66	H'0084 to H'0085	H'0108 to H'010B
	IRQ3	67	H'0086 to H'0087	H'010C to H'010F
	IRQ4	68	H'0088 to H'0089	H'0110 to H'0113
	IRQ5	69	H'008A to H'008B	H'0114 to H'0117
	IRQ6	70	H'008C to H'008D	H'0118 to H'011B
	IRQ7	71	H'008E to H'008F	H'011C to H'011F
	IRQ8	72	H'0090 to H'0091	H'0120 to H'0123
	IRQ9	73	H'0092 to H'0093	H'0124 to H'0127
	IRQ10	74	H'0094 to H'0095	H'0128 to H'012B
	IRQ11	75	H'0096 to H'0097	H'012C to H'012F
	IRQ12	76	H'0098 to H'0099	H'0130 to H'0133
	IRQ13	77	H'009A to H'009B	H'0134 to H'0137
	IRQ14	78	H'009C to H'009D	H'0138 to H'013B
IRQ15	79	H'009E to H'009F	H'013C to H'013F	
Reserved for system use	80	H'00A0 to H'00A1	H'0140 to H'0143	
Internal interrupt* ⁴	81	H'00A2 to H'00A3	H'0144 to H'0147	
	255	H'01FE to H'01FF	H'03FC to H'03FF	

Notes: 1. Lower 16 bits of the address.

2. Not available in this LSI.

3. A DMA address error is generated within the DTC and DMAC.

4. For details on the interrupt vector table, see section 5.5, Interrupt Exception Handling Vector Table.

Table 4.3 Calculation Method of Exception Handling Vector Table Address

Exception Source	Calculation Method of Vector Table Address
Reset, CPU address error	Vector table address = (vector table address offset)
Other than above	Vector table address = VBR + (vector table address offset)

[Legend]

VBR: Vector base register

Vector table address offset: See table 4.2.

4.3 Reset

A reset has priority over any other exception. When the $\overline{\text{RES}}$ pin goes low, all processing halts and this LSI enters the reset state. To ensure that this LSI is reset, hold the $\overline{\text{RES}}$ pin low for at least 20 ms when the power is turned on. When operation is in progress, hold the $\overline{\text{RES}}$ pin low for at least 20 cycles.

The chip can also be reset by overflow of the watchdog timer. For details, see section 12, Watchdog Timer (WDT).

A reset initializes the internal state of the CPU and the registers of the on-chip peripheral modules. The interrupt control mode is 0 immediately after a reset.

4.3.1 Reset Exception Handling

When the $\overline{\text{RES}}$ pin goes high after being held low for the necessary time, this LSI starts reset exception handling as follows:

1. The internal state of the CPU and the registers of the on-chip peripheral modules are initialized, VBR is cleared to H'00000000, the T bit is cleared to 0 in EXR, and the I bits are set to 1 in EXR and CCR.
2. The reset exception handling vector address is read and transferred to the PC, and program execution starts from the address indicated by the PC.

Figure 4.1 shows an example of the reset sequence.

4.3.2 Interrupts after Reset

If an interrupt is accepted after a reset but before the stack pointer (SP) is initialized, the PC and CCR will not be saved correctly, leading to a program crash. To prevent this, all interrupt requests, including NMI, are disabled immediately after a reset. Since the first instruction of a program is always executed immediately after the reset state ends, make sure that this instruction initializes the stack pointer (example: `MOV.L #xx: 32, SP`).

4.3.3 On-Chip Peripheral Functions after Reset Release

After the reset state is released, MSTPCRA, MSTPCRB, and MSTPCRC are initialized to H'0FFF, H'FFFF, and H'FF00 respectively, and all modules except the DMAC and DTC enter module stop mode.

Consequently, on-chip peripheral module registers cannot be read from or written to. Register reading and writing is enabled when module stop mode is canceled.

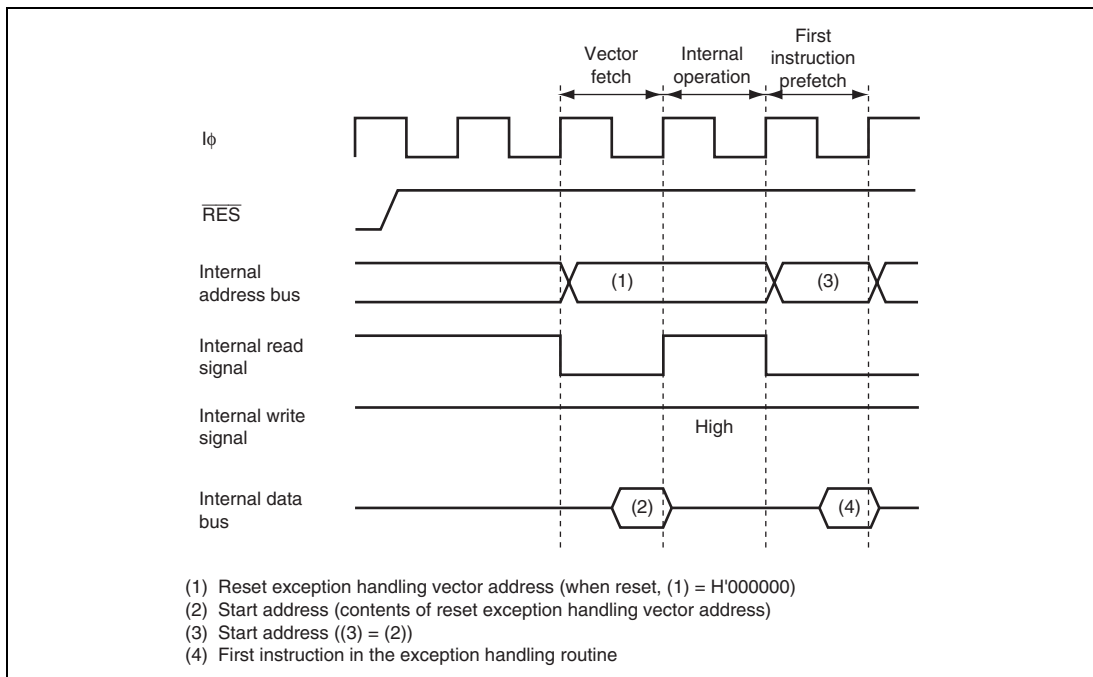


Figure 4.1 Reset Sequence (On-Chip ROM Enabled Advanced Mode)

4.4 Traces

Traces are enabled in interrupt control mode 2. Trace mode is not activated in interrupt control mode 0, irrespective of the state of the T bit. Before changing interrupt control modes, the T bit must be cleared to 0. For details on interrupt control modes, see section 5, Interrupt Controller.

If the T bit in EXR is set to 1, trace mode is activated. In trace mode, a trace exception occurs on completion of each instruction. Trace mode is not affected by interrupt masking by CCR. Table 4.4 shows the state of CCR and EXR after execution of trace exception handling. Trace mode is canceled by clearing the T bit in EXR to 0 during the trace exception handling. However, the T bit saved on the stack retains its value of 1, and when control is returned from the trace exception handling routine by the RTE instruction, trace mode resumes. Trace exception handling is not carried out after execution of the RTE instruction.

Interrupts are accepted even within the trace exception handling routine.

Table 4.4 Status of CCR and EXR after Trace Exception Handling

Interrupt Control Mode	CCR		EXR	
	I	UI	I2 to I0	T
0	Trace exception handling cannot be used.			
2	1	—	—	0

[Legend]

- 1: Set to 1
- 0: Cleared to 0
- : Retains the previous value.

4.5 Address Error

4.5.1 Address Error Source

Instruction fetch, stack operation, data read/write, and single-address transfer shown in table 4.5 may cause an address error.

Table 4.5 Bus Cycle and Address Error

Bus Cycle			
Type	Bus Master	Description	Address Error
Instruction fetch	CPU	Fetches instructions from even addresses	No (normal)
		Fetches instructions from odd addresses	Occurs
		Fetches instructions from areas other than on-chip peripheral module space* ¹	No (normal)
		Fetches instructions from on-chip peripheral module space* ¹	Occurs
		Fetches instructions from external memory space in single-chip mode	Occurs
		Fetches instructions from access reserved area.* ²	Occurs
Stack operation	CPU	Accesses stack when the stack pointer value is even address	No (normal)
		Accesses stack when the stack pointer value is odd	Occurs
Data read/write	CPU	Accesses word data from even addresses	No (normal)
		Accesses word data from odd addresses	No (normal)
		Accesses external memory space in single-chip mode	Occurs
		Accesses to reserved area* ²	Occurs
Data read/write	DTC/DMAC	Accesses word data from even addresses	No (normal)
		Accesses word data from odd addresses	No (normal)
		Accesses external memory space in single-chip mode	Occurs
		Accesses to reserved area* ²	Occurs
Single address transfer	DMAC	In single address transfer, the device to be accessed with an address is in the external memory space	No (normal)
		In single address transfer, the device to be accessed with an address is not in the external memory space	Occurs

- Notes: 1. For on-chip peripheral module space, see section 6, Bus Controller (BSC).
 2. For the access reserved area, refer to figure 3.1 in section 3.4, Address Map. An address error will not occur when the reserved area from H'FF8000 to H'FF8FFF is accessed.

4.5.2 Address Error Exception Handling

When an address error occurs, address error exception handling starts after the bus cycle causing the address error ends and current instruction execution completes. The address error exception handling is as follows:

1. The contents of PC, CCR, and EXR are saved in the stack.
2. The interrupt mask bit is updated and the T bit is cleared to 0.
3. An exception handling vector table address corresponding to the address error is generated, the start address of the exception service routine is loaded from the vector table to PC, and program execution starts from that address.

Even though an address error occurs during a transition to an address error exception handling, the address error is not accepted. This prevents an address error from occurring due to stacking for exception handling, thereby preventing infinitive stacking.

If the SP contents are not a multiple of 2 when an address error exception handling occurs, the stacked values (PC, CCR, and EXR) are undefined.

When an address error occurs, the following is performed to halt the DTC and DMAC.

- ERR bit in DICCR of DTC is set to 1
- ERRF bit in DMDR_0 of the DMAC is set to 1
- DTE bits for all the channels of the DMAC are cleared to 0 and the DMAC is forced to halt

Table 4.6 shows the states of CCR and EXR after the address error exception handling.

Table 4.6 States of CCR and EXR after Address Error Exception Handling

Interrupt Control Mode	CCR			EXR
	I	UI	T	I2 to I0
0	1	—	—	—
2	1	—	0	7

[Legend]

- 1: Set to 1.
- 0: Cleared to 0.
- : Retains the previous value.

4.6 Interrupts

4.6.1 Interrupt Sources

Interrupt sources are NMI, IRQ0 to IRQ15, and on-chip peripheral modules, as shown in table 4.7.

Table 4.7 Interrupt Sources

Type	Source	Number of Sources
NMI	NMI pin (external input)	1
IRQ0 to IRQ14	Pins $\overline{\text{IRQ0}}$ to $\overline{\text{IRQ15}}$ (external input)	15
On-chip peripheral module	Watchdog timer (WDT)	1
	A/D converter	2
	16-bit timer pulse unit (TPU)	52
	DMA controller (DMAC)	8
	Serial communications interface (SCI)	8
	Synchronous serial communication unit (SSU)	9

Different vector numbers and vector table offsets are assigned to different interrupt sources. For vector number and vector table offset, refer to table 5.2 in section 5.5, Interrupt Exception Handling Vector Table.

4.6.2 Interrupt Exception Handling

Interrupts are controlled by the interrupt controller. The interrupt controller has two interrupt control modes and can assign interrupts other than NMI to eight priority/mask levels to enable multiple-interrupt control. The source to start interrupt exception handling and the vector address differ depending on the product. For details, refer to section 5, Interrupt Controller.

The interrupt exception handling is as follows:

1. The contents of PC, CCR, and EXR are saved in the stack.
2. The interrupt mask bit is updated and the T bit is cleared to 0.
3. An exception handling vector table address corresponding to the interrupt source is generated, the start address of the exception service routine is loaded from the vector table to PC, and program execution starts from that address.

4.7 Instruction Exception Handling

There are two types of instructions that cause exception handling: trap instruction and illegal instructions.

4.7.1 Trap Instruction

Trap instruction exception handling starts when a TRAPA instruction is executed. Trap instruction exception handling can be executed at all times in the program execution state. The trap instruction exception handling is as follows:

1. The contents of PC, CCR, and EXR are saved in the stack.
2. The interrupt mask bit is updated and the T bit is cleared to 0.
3. An exception handling vector table address corresponding to the vector number specified in the TRAPA instruction is generated, the start address of the exception service routine is loaded from the vector table to PC, and program execution starts from that address.

A start address is read from the vector table corresponding to a vector number from 0 to 3, as specified in the instruction code.

Table 4.8 shows the state of CCR and EXR after execution of trap instruction exception handling.

Table 4.8 Status of CCR and EXR after Trap Instruction Exception Handling

Interrupt Control Mode	CCR		EXR	
	I	UI	T	I2 to I0
0	1	—	—	—
2	1	—	0	—

[Legend]

- 1: Set to 1
- 0: Cleared to 0
- : Retains the previous value.

4.7.2 Exception Handling by General Illegal Instruction

There are two illegal instructions: general illegal instruction and slot illegal instruction.

The exception handling by the general illegal instruction starts when an undefined code is decoded.

The exception handling by the slot illegal instruction starts when the following instruction which is placed in a delay slot (immediately after a delayed branch instruction) is executed: an instruction which consists of two words or more or which changes the contents of PC.

The general illegal and slot illegal instructions are always executable in the program execution state.

The exception handling for the general illegal and a slot illegal instructions is as follows:

1. The contents of PC, CCR, and EXR are saved in the stack.
2. The interrupt mask bit is updated and the T bit is cleared to 0.
3. An exception handling vector table address corresponding to the occurred exception is generated, the start address of the exception service routine is loaded from the vector table to PC, and program execution starts from that address.

Table 4.9 shows the state of CCR and EXR after execution of illegal instruction exception handling.

Table 4.9 Status of CCR and EXR after Illegal Instruction Exception Handling

Interrupt Control Mode	CCR			EXR
	I	UI	T	I2 to I0
0	1	—	—	—
2	1	—	0	—

[Legend]

- 1: Set to 1
- 0: Cleared to 0
- : Retains the previous value.

4.8 Stack Status after Exception Handling

Figure 4.2 shows the stack after completion of exception handling.

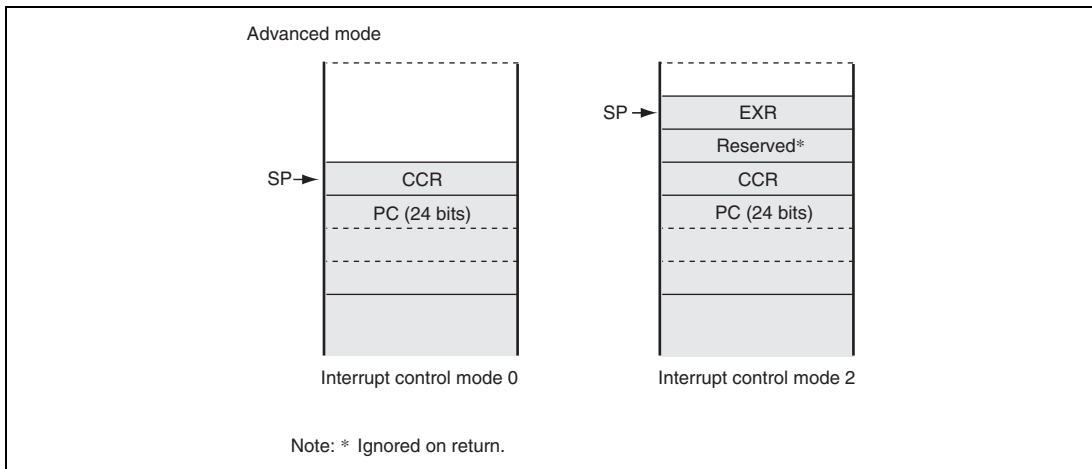


Figure 4.2 Stack Status after Exception Handling

4.9 Usage Note

When performing stack-manipulating access, this LSI assumes that the lowest address bit is 0. The stack should always be accessed by a word transfer instruction or a longword transfer instruction, and the value of the stack pointer (SP: ER7) should always be kept even. Use the following instructions to save registers:

- PUSH.W Rn (or MOV.W Rn, @-SP)
- PUSH.L ERn (or MOV.L ERn, @-SP)

Use the following instructions to restore registers:

- POP.W Rn (or MOV.W @SP+, Rn)
- POP.L ERn (or MOV.L @SP+, ERn)

Performing stack manipulation while SP is set to an odd value leads to an address error. Figure 4.3 shows an example of operation when the SP value is odd.

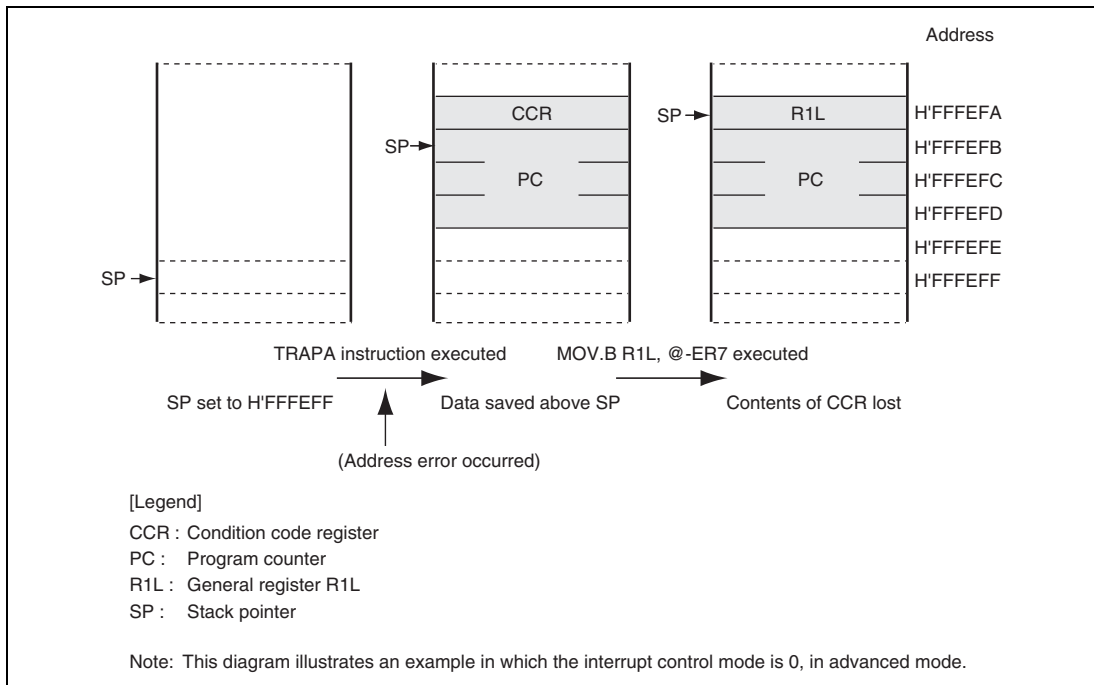


Figure 4.3 Operation when SP Value Is Odd

Section 5 Interrupt Controller

5.1 Features

- Two interrupt control modes

Any of two interrupt control modes can be set by means of bits INTM1 and INTM0 in the interrupt control register (INTCR).
- Priority can be assigned by the interrupt priority register (IPR)

IPR provides for setting interrupt priority. Eight levels can be set for each module for all interrupts except for the interrupt requests listed below. The following six interrupt requests are given priority of 8, therefore they are accepted at all times.

 - NMI
 - General illegal instructions
 - Trace
 - Trap instructions
 - CPU address error
 - DMA address error*
- Independent vector addresses

All interrupt sources are assigned independent vector addresses, making it unnecessary for the source to be identified in the interrupt handling routine.
- 17 external interrupts

NMI is the highest-priority interrupt, and is accepted at all times. Rising edge or falling edge detection can be selected for NMI. Falling edge, rising edge, or both edge detection, or level sensing, can be selected for $\overline{\text{IRQ15}}$ to $\overline{\text{IRQ0}}$.
- DTC and DMAC control

DTC and DMAC can be activated by means of interrupts.
- CPU priority control function

The priority levels can be assigned to the CPU, DTC and DMAC. The priority level of the CPU can be automatically assigned on an exception generation. Priority can be given to the CPU interrupt exception handling over that of the DTC and DMAC transfer.

Note: * A DMA address error is generated within the DTC and DMAC.

A block diagram of the interrupt controller is shown in figure 5.1.

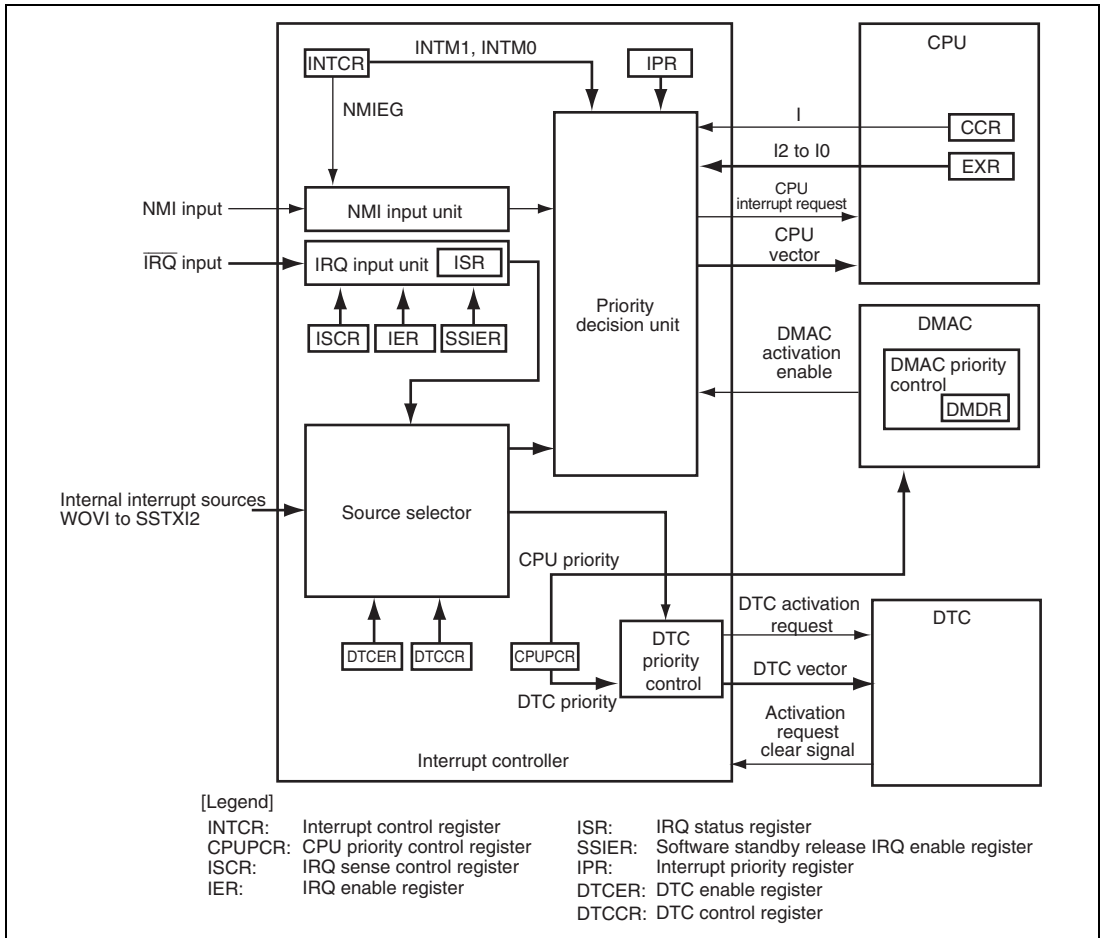


Figure 5.1 Block Diagram of Interrupt Controller

5.2 Input/Output Pins

Table 5.1 shows the pin configuration of the interrupt controller.

Table 5.1 Pin Configuration

Name	I/O	Function
NMI	Input	Nonmaskable External Interrupt Rising or falling edge can be selected.
IRQ15 to IRQ0	Input	Maskable External Interrupts Rising, falling, or both edges, or level sensing, can be selected.

5.3 Register Descriptions

The interrupt controller has the following registers.

- Interrupt control register (INTCR)
- CPU priority control register (CPUPCR)
- Interrupt priority registers A to G, I, K to O, Q, and R (IPRA to IPRG, IPRI, IPRK to IPRO, IPRQ, and IPRR)
- IRQ enable register (IER)
- IRQ sense control registers H and L (ISCRH, ISCRL)
- IRQ status register (ISR)
- Software standby release IRQ enable register (SSIER)

5.3.1 Interrupt Control Register (INTCR)

INTCR selects the interrupt control mode, and the detected edge for NMI.

Bit	7	6	5	4	3	2	1	0
Bit Name	—	—	INTM1	INTM0	NMIEG	—	—	—
Initial Value	0	0	0	0	0	0	0	0
R/W	R	R	R/W	R/W	R/W	R	R	R

Bit	Bit Name	Initial Value	R/W	Description
7, 6	—	All 0	R	Reserved These are read-only bits and cannot be modified.
5	INTM1	0	R/W	Interrupt Control Select Mode 1 and 0
4	INTM0	0	R/W	These bits select either of two interrupt control modes for the interrupt controller. 00: Interrupt control mode 0 Interrupts are controlled by I bit in CCR. 01: Setting prohibited. 10: Interrupt control mode 2 Interrupts are controlled by bits I2 to I0 in EXR, and IPR. 11: Setting prohibited.
3	NMIEG	0	R/W	NMI Edge Select Selects the input edge for the NMI pin. 0: Interrupt request generated at falling edge of NMI input 1: Interrupt request generated at rising edge of NMI input
2 to 0	—	All 0	R	Reserved These are read-only bits and cannot be modified.

5.3.2 CPU Priority Control Register (CPUPCR)

CPUPCR sets whether or not the CPU has priority over the DTC and DMAC. The interrupt exception handling by the CPU can be given priority over that of the DMAC transfer. The priority level of the DTC is set by bits DTCP2 to DTCP0 in CPUPCR. The priority level of the DMAC for each channel is set by the DMAC control register.

Bit	7	6	5	4	3	2	1	0
Bit Name	CPUPCE	DTCP2	DTCP1	DTCP0	IPSETE	CPUP2	CPUP1	CPUP0
Initial Value	0	0	0	0	0	0	0	0
R/W	R/W	R/W	R/W	R/W	R/W	R/(W)*	R/(W)*	R/(W)*

Note: * When the IPSETE bit is set to 1, the CPU priority is automatically updated, so these bits cannot be modified.

Bit	Bit Name	Initial Value	R/W	Description
7	CPUPCE	0	R/W	<p>CPU Priority Control Enable</p> <p>Controls the CPU priority control function. Setting this bit to 1 enables the CPU priority control over the DMAC.</p> <p>0: CPU always has the lowest priority</p> <p>1: CPU priority control enabled</p>
6	DTCP2	0	R/W	DTC Priority Level 2 to 0
5	DTCP1	0	R/W	These bits set the DTC priority level.
4	DTCP0	0	R/W	<p>000: Priority level 0 (lowest)</p> <p>001: Priority level 1</p> <p>010: Priority level 2</p> <p>011: Priority level 3</p> <p>100: Priority level 4</p> <p>101: Priority level 5</p> <p>110: Priority level 6</p> <p>111: Priority level 7 (highest)</p>

Bit	Bit Name	Initial Value	R/W	Description
3	IPSETE	0	R/W	<p>Interrupt Priority Set Enable</p> <p>Controls the function which automatically assigns the interrupt priority level of the CPU. Setting this bit to 1 automatically sets bits CPUP2 to CPUP0 by the CPU interrupt mask bit (1 bit in CCR or bits I2 to I0 in EXR).</p> <p>0: Bits CPUP2 to CPUP0 are not updated automatically 1: The interrupt mask bit value is reflected in bits CPUP2 to CPUP0</p>
2	CPUP2	0	R/(W)*	CPU Priority Level 2 to 0
1	CPUP1	0	R/(W)*	<p>These bits set the CPU priority level. When the CPUPCE is set to 1, the CPU priority control function over the DTC and DMAC becomes valid and the priority of CPU processing is assigned in accordance with the settings of bits CPUP2 to CPUP0.</p> <p>000: Priority level 0 (lowest) 001: Priority level 1 010: Priority level 2 011: Priority level 3 100: Priority level 4 101: Priority level 5 110: Priority level 6 111: Priority level 7 (highest)</p>
0	CPUP0	0	R/(W)*	

Note: * When the IPSETE bit is set to 1, the CPU priority is automatically updated, so these bits cannot be modified.

5.3.3 Interrupt Priority Registers A to G, I, K to O, and R (IPRA to IPRG, IPRI, IPRK to IPRO, and IPPR)

IPR sets priority (levels 7 to 0) for interrupts other than NMI.

Setting a value in the range from B'000 to B'111 in the 3-bit groups of bits 14 to 12, 10 to 8, 6 to 4, and 2 to 0 assigns a priority level to the corresponding interrupt. For the correspondence between the interrupt sources and the IPR settings, see table 5.2.

Bit	15	14	13	12	11	10	9	8
Bit Name	—	IPR14	IPR13	IPR12	—	IPR10	IPR9	IPR8
Initial Value	0	1	1	1	0	1	1	1
R/W	R	R/W	R/W	R/W	R	R/W	R/W	R/W

Bit	7	6	5	4	3	2	1	0
Bit Name	—	IPR6	IPR5	IPR4	—	IPR2	IPR1	IPR0
Initial Value	0	1	1	1	0	1	1	1
R/W	R	R/W	R/W	R/W	R	R/W	R/W	R/W

Bit	Bit Name	Initial Value	R/W	Description
15	—	0	R	Reserved This is a read-only bit and cannot be modified.
14	IPR14	1	R/W	Sets the priority level of the corresponding interrupt source.
13	IPR13	1	R/W	
12	IPR12	1	R/W	000: Priority level 0 (lowest) 001: Priority level 1 010: Priority level 2 011: Priority level 3 100: Priority level 4 101: Priority level 5 110: Priority level 6 111: Priority level 7 (highest)
11	—	0	R	Reserved This is a read-only bit and cannot be modified.

Bit	Bit Name	Initial Value	R/W	Description
10	IPR10	1	R/W	Sets the priority level of the corresponding interrupt source.
9	IPR9	1	R/W	
8	IPR8	1	R/W	000: Priority level 0 (lowest) 001: Priority level 1 010: Priority level 2 011: Priority level 3 100: Priority level 4 101: Priority level 5 110: Priority level 6 111: Priority level 7 (highest)
7	—	0	R	Reserved This is a read-only bit and cannot be modified.
6	IPR6	1	R/W	Sets the priority level of the corresponding interrupt source.
5	IPR5	1	R/W	
4	IPR4	1	R/W	000: Priority level 0 (lowest) 001: Priority level 1 010: Priority level 2 011: Priority level 3 100: Priority level 4 101: Priority level 5 110: Priority level 6 111: Priority level 7 (highest)
3	—	0	R	Reserved This is a read-only bit and cannot be modified.
2	IPR2	1	R/W	Sets the priority level of the corresponding interrupt source.
1	IPR1	1	R/W	
0	IPR0	1	R/W	000: Priority level 0 (lowest) 001: Priority level 1 010: Priority level 2 011: Priority level 3 100: Priority level 4 101: Priority level 5 110: Priority level 6 111: Priority level 7 (highest)

5.3.4 IRQ Enable Register (IER)

IER enables or disables interrupt requests IRQ15 to IRQ0.

Bit	15	14	13	12	11	10	9	8
Bit Name	IRQ15E	IRQ14E	IRQ13E	IRQ12E	IRQ11E	IRQ10E	IRQ9E	IRQ8E
Initial Value	0	0	0	0	0	0	0	0
R/W	R/W	R/W	R/W	R/W	R/W	R/W	R/W	R/W
Bit	7	6	5	4	3	2	1	0
Bit Name	IRQ7E	IRQ6E	IRQ5E	IRQ4E	IRQ3E	IRQ2E	IRQ1E	IRQ0E
Initial Value	0	0	0	0	0	0	0	0
R/W	R/W	R/W	R/W	R/W	R/W	R/W	R/W	R/W

Bit	Bit Name	Initial Value	R/W	Description
15	IRQ15E	0	R/W	IRQ15 Enable The IRQ15 interrupt request is enabled when this bit is 1.
14	IRQ14E	0	R/W	IRQ14 Enable The IRQ14 interrupt request is enabled when this bit is 1.
13	IRQ13E	0	R/W	IRQ13 Enable The IRQ13 interrupt request is enabled when this bit is 1.
12	IRQ12E	0	R/W	IRQ12 Enable The IRQ12 interrupt request is enabled when this bit is 1.
11	IRQ11E	0	R/W	IRQ11 Enable The IRQ11 interrupt request is enabled when this bit is 1.
10	IRQ10E	0	R/W	IRQ10 Enable The IRQ10 interrupt request is enabled when this bit is 1.
9	IRQ9E	0	R/W	IRQ9 Enable The IRQ9 interrupt request is enabled when this bit is 1.

Bit	Bit Name	Initial Value	R/W	Description
8	IRQ8E	0	R/W	IRQ8 Enable The IRQ8 interrupt request is enabled when this bit is 1.
7	IRQ7E	0	R/W	IRQ7 Enable The IRQ7 interrupt request is enabled when this bit is 1.
6	IRQ6E	0	R/W	IRQ6 Enable The IRQ6 interrupt request is enabled when this bit is 1.
5	IRQ5E	0	R/W	IRQ5 Enable The IRQ5 interrupt request is enabled when this bit is 1.
4	IRQ4E	0	R/W	IRQ4 Enable The IRQ4 interrupt request is enabled when this bit is 1.
3	IRQ3E	0	R/W	IRQ3 Enable The IRQ3 interrupt request is enabled when this bit is 1.
2	IRQ2E	0	R/W	IRQ2 Enable The IRQ2 interrupt request is enabled when this bit is 1.
1	IRQ1E	0	R/W	IRQ1 Enable The IRQ1 interrupt request is enabled when this bit is 1.
0	IRQ0E	0	R/W	IRQ0 Enable The IRQ0 interrupt request is enabled when this bit is 1.

5.3.5 IRQ Sense Control Registers H and L (ISCRH and ISCRL)

ISCRH and ISCRL select the source that generates an interrupt request on pins $\overline{\text{IRQ15}}$ to $\overline{\text{IRQ0}}$.

Upon changing the setting of ISCR, IRQnF ($n = 15$ to 0) in ISR is often set to 1 accidentally through an internal operation. In this case, an interrupt exception handling is executed if an IRQn interrupt request is enabled. In order to prevent such an accidental interrupt from occurring, the setting of ISCR should be changed while the IRQn interrupt is disabled, and then the IRQnF in ISR should be cleared to 0.

- ISCRH

Bit	15	14	13	12	11	10	9	8
Bit Name	IRQ15SR	IRQ15SF	IRQ14SR	IRQ14SF	IRQ13SR	IRQ13SF	IRQ12SR	IRQ12SF
Initial Value	0	0	0	0	0	0	0	0
R/W	R/W	R/W	R/W	R/W	R/W	R/W	R/W	R/W

Bit	7	6	5	4	3	2	1	0
Bit Name	IRQ11SR	IRQ11SF	IRQ10SR	IRQ10SF	IRQ9SR	IRQ9SF	IRQ8SR	IRQ8SF
Initial Value	0	0	0	0	0	0	0	0
R/W	R/W	R/W	R/W	R/W	R/W	R/W	R/W	R/W

- ISCRL

Bit	15	14	13	12	11	10	9	8
Bit Name	IRQ7SR	IRQ7SF	IRQ6SR	IRQ6SF	IRQ5SR	IRQ5SF	IRQ4SR	IRQ4SF
Initial Value	0	0	0	0	0	0	0	0
R/W	R/W	R/W	R/W	R/W	R/W	R/W	R/W	R/W

Bit	7	6	5	4	3	2	1	0
Bit Name	IRQ3SR	IRQ3SF	IRQ2SR	IRQ2SF	IRQ1SR	IRQ1SF	IRQ0SR	IRQ0SF
Initial Value	0	0	0	0	0	0	0	0
R/W	R/W	R/W	R/W	R/W	R/W	R/W	R/W	R/W

- ISCRH

Bit	Bit Name	Initial Value	R/W	Description
15, 14	IRQ15SR	0	R/W	IRQ15 Sense Control Rise
	IRQ15SF	0	R/W	IRQ15 Sense Control Fall
				00: Interrupt request generated by low level of $\overline{\text{IRQ15}}$ 01: Interrupt request generated at falling edge of $\overline{\text{IRQ15}}$ 10: Interrupt request generated at rising edge of $\overline{\text{IRQ15}}$ 11: Interrupt request generated at both falling and rising edges of $\overline{\text{IRQ15}}$
13	IRQ14SR	0	R/W	IRQ14 Sense Control Rise
12	IRQ14SF	0	R/W	IRQ14 Sense Control Fall
				00: Interrupt request generated by low level of $\overline{\text{IRQ14}}$ 01: Interrupt request generated at falling edge of $\overline{\text{IRQ14}}$ 10: Interrupt request generated at rising edge of $\overline{\text{IRQ14}}$ 11: Interrupt request generated at both falling and rising edges of $\overline{\text{IRQ14}}$
11	IRQ13SR	0	R/W	IRQ13 Sense Control Rise
10	IRQ13SF	0	R/W	IRQ13 Sense Control Fall
				00: Interrupt request generated by low level of $\overline{\text{IRQ13}}$ 01: Interrupt request generated at falling edge of $\overline{\text{IRQ13}}$ 10: Interrupt request generated at rising edge of $\overline{\text{IRQ13}}$ 11: Interrupt request generated at both falling and rising edges of $\overline{\text{IRQ13}}$
9	IRQ12SR	0	R/W	IRQ12 Sense Control Rise
8	IRQ12SF	0	R/W	IRQ12 Sense Control Fall
				00: Interrupt request generated by low level of $\overline{\text{IRQ12}}$ 01: Interrupt request generated at falling edge of $\overline{\text{IRQ12}}$ 10: Interrupt request generated at rising edge of $\overline{\text{IRQ12}}$ 11: Interrupt request generated at both falling and rising edges of $\overline{\text{IRQ12}}$
7	IRQ11SR	0	R/W	IRQ11 Sense Control Rise
6	IRQ11SF	0	R/W	IRQ11 Sense Control Fall
				00: Interrupt request generated by low level of $\overline{\text{IRQ11}}$ 01: Interrupt request generated at falling edge of $\overline{\text{IRQ11}}$ 10: Interrupt request generated at rising edge of $\overline{\text{IRQ11}}$ 11: Interrupt request generated at both falling and rising edges of $\overline{\text{IRQ11}}$

Bit	Bit Name	Initial Value	R/W	Description
5	IRQ10SR	0	R/W	IRQ10 Sense Control Rise
4	IRQ10SF	0	R/W	IRQ10 Sense Control Fall
				00: Interrupt request generated by low level of $\overline{\text{IRQ10}}$
				01: Interrupt request generated at falling edge of $\overline{\text{IRQ10}}$
				10: Interrupt request generated at rising edge of $\overline{\text{IRQ10}}$
				11: Interrupt request generated at both falling and rising edges of $\overline{\text{IRQ10}}$
3	IRQ9SR	0	R/W	IRQ9 Sense Control Rise
2	IRQ9SF	0	R/W	IRQ9 Sense Control Fall
				00: Interrupt request generated by low level of $\overline{\text{IRQ9}}$
				01: Interrupt request generated at falling edge of $\overline{\text{IRQ9}}$
				10: Interrupt request generated at rising edge of $\overline{\text{IRQ9}}$
				11: Interrupt request generated at both falling and rising edges of $\overline{\text{IRQ9}}$
1	IRQ8SR	0	R/W	IRQ8 Sense Control Rise
0	IRQ8SF	0	R/W	IRQ8 Sense Control Fall
				00: Interrupt request generated by low level of $\overline{\text{IRQ8}}$
				01: Interrupt request generated at falling edge of $\overline{\text{IRQ8}}$
				10: Interrupt request generated at rising edge of $\overline{\text{IRQ8}}$
				11: Interrupt request generated at both falling and rising edges of $\overline{\text{IRQ8}}$

- ISCR_L

Bit	Bit Name	Initial Value	R/W	Description
15	IRQ7SR	0	R/W	IRQ7 Sense Control Rise
14	IRQ7SF	0	R/W	IRQ7 Sense Control Fall
				00: Interrupt request generated by low level of $\overline{\text{IRQ7}}$
				01: Interrupt request generated at falling edge of $\overline{\text{IRQ7}}$
				10: Interrupt request generated at rising edge of $\overline{\text{IRQ7}}$
				11: Interrupt request generated at both falling and rising edges of $\overline{\text{IRQ7}}$
13	IRQ6SR	0	R/W	IRQ6 Sense Control Rise
12	IRQ6SF	0	R/W	IRQ6 Sense Control Fall
				00: Interrupt request generated by low level of $\overline{\text{IRQ6}}$
				01: Interrupt request generated at falling edge of $\overline{\text{IRQ6}}$
				10: Interrupt request generated at rising edge of $\overline{\text{IRQ6}}$
				11: Interrupt request generated at both falling and rising edges of $\overline{\text{IRQ6}}$
11	IRQ5SR	0	R/W	IRQ5 Sense Control Rise
10	IRQ5SF	0	R/W	IRQ5 Sense Control Fall
				00: Interrupt request generated by low level of $\overline{\text{IRQ5}}$
				01: Interrupt request generated at falling edge of $\overline{\text{IRQ5}}$
				10: Interrupt request generated at rising edge of $\overline{\text{IRQ5}}$
				11: Interrupt request generated at both falling and rising edges of $\overline{\text{IRQ5}}$
9	IRQ4SR	0	R/W	IRQ4 Sense Control Rise
8	IRQ4SF	0	R/W	IRQ4 Sense Control Fall
				00: Interrupt request generated by low level of $\overline{\text{IRQ4}}$
				01: Interrupt request generated at falling edge of $\overline{\text{IRQ4}}$
				10: Interrupt request generated at rising edge of $\overline{\text{IRQ4}}$
				11: Interrupt request generated at both falling and rising edges of $\overline{\text{IRQ4}}$

Bit	Bit Name	Initial Value	R/W	Description
7	IRQ3SR	0	R/W	IRQ3 Sense Control Rise
6	IRQ3SF	0	R/W	IRQ3 Sense Control Fall
				00: Interrupt request generated by low level of $\overline{\text{IRQ3}}$ 01: Interrupt request generated at falling edge of $\overline{\text{IRQ3}}$ 10: Interrupt request generated at rising edge of $\overline{\text{IRQ3}}$ 11: Interrupt request generated at both falling and rising edges of $\overline{\text{IRQ3}}$
5	IRQ2SR	0	R/W	IRQ2 Sense Control Rise
4	IRQ2SF	0	R/W	IRQ2 Sense Control Fall
				00: Interrupt request generated by low level of $\overline{\text{IRQ2}}$ 01: Interrupt request generated at falling edge of $\overline{\text{IRQ2}}$ 10: Interrupt request generated at rising edge of $\overline{\text{IRQ2}}$ 11: Interrupt request generated at both falling and rising edges of $\overline{\text{IRQ2}}$
3	IRQ1SR	0	R/W	IRQ1 Sense Control Rise
2	IRQ1SF	0	R/W	IRQ1 Sense Control Fall
				00: Interrupt request generated by low level of $\overline{\text{IRQ1}}$ 01: Interrupt request generated at falling edge of $\overline{\text{IRQ1}}$ 10: Interrupt request generated at rising edge of $\overline{\text{IRQ1}}$ 11: Interrupt request generated at both falling and rising edges of $\overline{\text{IRQ1}}$
1	IRQ0SR	0	R/W	IRQ0 Sense Control Rise
0	IRQ0SF	0	R/W	IRQ0 Sense Control Fall
				00: Interrupt request generated by low level of $\overline{\text{IRQ0}}$ 01: Interrupt request generated at falling edge of $\overline{\text{IRQ0}}$ 10: Interrupt request generated at rising edge of $\overline{\text{IRQ0}}$ 11: Interrupt request generated at both falling and rising edges of $\overline{\text{IRQ0}}$

5.3.6 IRQ Status Register (ISR)

ISR is an IRQ15 to IRQ0 interrupt request register.

Bit	15	14	13	12	11	10	9	8
Bit Name	IRQ15F	IRQ14F	IRQ13F	IRQ12F	IRQ11F	IRQ10F	IRQ9F	IRQ8F
Initial Value	0	0	0	0	0	0	0	0
R/W	R/(W)*	R/(W)*	R/(W)*	R/(W)*	R/(W)*	R/(W)*	R/(W)*	R/(W)*

Bit	7	6	5	4	3	2	1	0
Bit Name	IRQ7F	IRQ6F	IRQ5F	IRQ4F	IRQ3F	IRQ2F	IRQ1F	IRQ0F
Initial Value	0	0	0	0	0	0	0	0
R/W	R/(W)*	R/(W)*	R/(W)*	R/(W)*	R/(W)*	R/(W)*	R/(W)*	R/(W)*

Note: * Only 0 can be written, to clear the flag. The bit manipulation instructions or memory operation instructions should be used to clear the flag.

Bit	Bit Name	Initial Value	R/W	Description
15	IRQ15F	0	R/(W)*	[Setting condition]
14	IRQ14F	0	R/(W)*	<ul style="list-style-type: none"> When the interrupt selected by ISCR occurs
13	IRQ13F	0	R/(W)*	[Clearing conditions]
12	IRQ12F	0	R/(W)*	<ul style="list-style-type: none"> Writing 0 after reading $IRQnF = 1$
11	IRQ11F	0	R/(W)*	<ul style="list-style-type: none"> When interrupt exception handling is executed when low-level sensing is selected and \overline{IRQn} input is high
10	IRQ10F	0	R/(W)*	<ul style="list-style-type: none"> When $IRQn$ interrupt exception handling is executed when falling-, rising-, or both-edge sensing is selected
9	IRQ9F	0	R/(W)*	<ul style="list-style-type: none"> When the DTC is activated by an $IRQn$ interrupt, and the DISEL bit in MRB of the DTC is cleared to 0
8	IRQ8F	0	R/(W)*	
7	IRQ7F	0	R/(W)*	
6	IRQ6F	0	R/(W)*	
5	IRQ5F	0	R/(W)*	
4	IRQ4F	0	R/(W)*	
3	IRQ3F	0	R/(W)*	
2	IRQ2F	0	R/(W)*	
1	IRQ1F	0	R/(W)*	
0	IRQ0F	0	R/(W)*	

Note: * Only 0 can be written, to clear the flag. The bit manipulation instructions or memory operation instructions should be used to clear the flag.

5.3.7 Software Standby Release IRQ Enable Register (SSIER)

SSIER selects pins used to leave software standby mode from pins $\overline{\text{IRQ15}}$ to $\overline{\text{IRQ0}}$.

The IRQ interrupt used to leave software standby mode should not be set as the DTC activation source.

Bit	15	14	13	12	11	10	9	8
Bit Name	SSI15	SSI14	SSI13	SSI12	SSI11	SSI10	SSI9	SSI8
Initial Value	0	0	0	0	0	0	0	0
R/W	R/W	R/W	R/W	R/W	R/W	R/W	R/W	R/W
Bit	7	6	5	4	3	2	1	0
Bit Name	SSI7	SSI6	SSI5	SSI4	SSI3	SSI2	SSI1	SSI0
Initial Value	0	0	0	0	0	0	0	0
R/W	R/W	R/W	R/W	R/W	R/W	R/W	R/W	R/W

Bit	Bit Name	Initial Value	R/W	Description
15	SSI15	0	R/W	Software Standby Release IRQ Setting
14	SSI14	0	R/W	These bits select the $\overline{\text{IRQn}}$ pins used to leave software standby mode (n = 15 to 0).
13	SSI13	0	R/W	
12	SSI12	0	R/W	0: IRQn requests are not sampled in software standby mode
11	SSI11	0	R/W	1: When an IRQn request occurs in software standby mode, this LSI leaves software standby mode after the oscillation settling time has elapsed
10	SSI10	0	R/W	
9	SSI9	0	R/W	
8	SSI8	0	R/W	
7	SSI7	0	R/W	
6	SSI6	0	R/W	
5	SSI5	0	R/W	
4	SSI4	0	R/W	
3	SSI3	0	R/W	
2	SSI2	0	R/W	
1	SSI1	0	R/W	
0	SSI0	0	R/W	

5.4 Interrupt Sources

5.4.1 External Interrupts

There are seventeen external interrupts: NMI and IRQ15 to IRQ0. These interrupts can be used to leave software standby mode.

(1) NMI Interrupts

Nonmaskable interrupt request (NMI) is the highest-priority interrupt, and is always accepted by the CPU regardless of the interrupt control mode or the settings of the CPU interrupt mask bits. The NMIEG bit in INTCR selects whether an interrupt is requested at the rising or falling edge on the NMI pin.

When an NMI interrupt is generated, the interrupt controller determines that an error has occurred, and performs the following procedure.

- Sets the ERR bit in DTCCR of the DTC to 1.
- Sets the ERRF bit in DMDR_0 to 1.
- Clears the DTE bits for all the channels of the DMAC and forcibly halts transfer.

(2) IRQn Interrupts

An IRQn interrupt is requested by a signal input on pins $\overline{\text{IRQ15}}$ to $\overline{\text{IRQ0}}$. $\overline{\text{IRQn}}$ (n = 15 to 0) have the following features:

- Using ISCR, it is possible to select whether an interrupt is generated by a low level, falling edge, rising edge, or both edges, on pins $\overline{\text{IRQn}}$.
- Enabling or disabling of interrupt requests IRQn can be selected by IER.
- The interrupt priority can be set by IPR.
- The status of interrupt requests IRQn is indicated in ISR. ISR flags can be cleared to 0 by software. The bit manipulation instructions or memory operation instructions should be used to clear the flag in ISR.

Detection of IRQn interrupts is enabled through the P1ICR, P2ICR, P5ICR, and P6ICR register settings, and does not change regardless of the output setting. However, when a pin is used as an external interrupt input pin, the pin must not be used as an I/O pin for another function by clearing the corresponding DDR bit to 0.

A block diagram of interrupts IRQ_n is shown in figure 5.2.

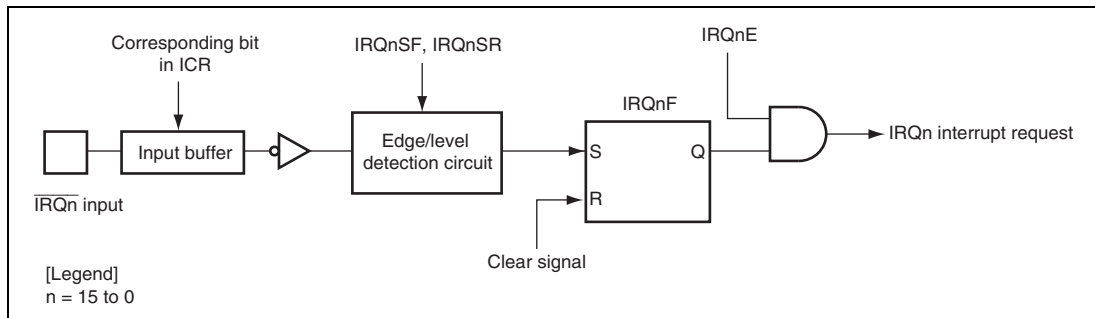


Figure 5.2 Block Diagram of Interrupts IRQ_n

When the IRQ sensing control in $ISCR$ is set to a low level of signal $\overline{IRQ_n}$, the level of $\overline{IRQ_n}$ should be held low until an interrupt handling starts. Then set the corresponding input signal $\overline{IRQ_n}$ to high in the interrupt handling routine and clear the IRQ_nF to 0. Interrupts may not be executed when the corresponding input signal $\overline{IRQ_n}$ is set to high before the interrupt handling begins.

5.4.2 Internal Interrupts

The sources for internal interrupts from on-chip peripheral modules have the following features:

- For each on-chip peripheral module there are flags that indicate the interrupt request status, and enable bits that enable or disable these interrupts. They can be controlled independently. When the enable bit is set to 1, an interrupt request is issued to the interrupt controller.
- The interrupt priority can be set by means of IPR .
- The DTC and $DMAC$ can be activated by a TPU , SCI , SSU , or other interrupt request.
- DTC and $DMAC$ activations can be controlled by the CPU priority control function over the DTC and $DMAC$.

Classification	Interrupt Source	Vector Number	Vector Address Offset*	IPR	Priority	DTC Activation	DMAC Activation	
WDT	WOVI	81	H'0144	IPRE10 to IPRE8	High	—	—	
—	Reserved for system use	82	H'0148	—	↑	—	—	
		83	H'014C			—	—	
		84	H'0150			—	—	
		85	H'0154			—	—	
A/D_0	ADI0	86	H'0158	IPRF10 to IPRF8			O	O
A/D_1	ADI1	87	H'015C				O	O
TPU_0	TGI0A	88	H'0160	IPRF6 to IPRF4			O	O
	TGI0B	89	H'0164				O	—
	TGI0C	90	H'0168				O	—
	TGI0D	91	H'016C				O	—
	TCI0V	92	H'0170			—	—	
TPU_1	TGI1A	93	H'0174	IPRF2 to IPRF0		O	O	
	TGI1B	94	H'0178			O	—	
	TCI1V	95	H'017C			—	—	
	TCI1U	96	H'0180			—	—	
TPU_2	TGI2A	97	H'0184	IPRG14 to IPRG12		O	O	
	TGI2B	98	H'0188			O	—	
	TCI2V	99	H'018C			—	—	
	TCI2U	100	H'0190			—	—	
TPU_3	TGI3A	101	H'0194	IPRG10 to IPRG8		O	O	
	TGI3B	102	H'0198			O	—	
	TGI3C	103	H'019C			O	—	
	TGI3D	104	H'01A0			O	—	
	TCI3V	105	H'01A4			—	—	
TPU_4	TGI4A	106	H'01A8	IPRG6 to IPRG4		O	—	
	TGI4B	107	H'01AC			O	—	
	TCI4V	108	H'01B0			—	—	
	TCI4U	109	H'01B4			Low	—	—

Classification	Interrupt Source	Vector Number	Vector Address Offset*	IPR	Priority	DTC Activation	DMAC Activation
TPU_5	TGI5A	110	H'01B8	IPRG2 to IPRG0	High	O	—
	TGI5B	111	H'01BC			O	—
	TCI5V	112	H'01C0			—	—
	TCI5U	113	H'01C4			—	—
—	Reserved for system use	114	H'01C8	—	↑	—	—
		115	H'01CC			—	—
		116	H'01D0			—	—
		117	H'01D4			—	—
		118	H'01D8			—	—
		119	H'01DC			—	—
		120	H'01E0			—	—
		121	H'01E4			—	—
—	Reserved for system use	122	H'01E8	—	↑	—	—
		123	H'01EC			—	—
		124	H'01F0			—	—
		125	H'01F4			—	—
		126	H'01F8			—	—
		127	H'01FC			—	—
DMAC	DMTEND0	128	H'0200	IPRI14 to IPRI12	↑	O	—
	DMTEND1	129	H'0204	IPRI10 to IPRI8		O	—
	DMTEND2	130	H'0208	IPRI6 to IPRI4		O	—
	DMTEND3	131	H'020C	IPRI2 to IPRI0		O	—
—	Reserved for system use	132	H'0210	—	↑	—	—
		133	H'0214			—	—
		134	H'0218			—	—
		135	H'021C			—	—
DMAC	DMEEND0	136	H'0220	IPRK14 to IPRK12	↑	O	—
	DMEEND1	137	H'0224			O	—
	DMEEND2	138	H'0228			O	—
	DMEEND3	139	H'022C			Low	O

Classification	Interrupt Source	Vector Number	Vector Address Offset*	IPR	Priority	DTC Activation	DMAC Activation
—	Reserved for system use	140	H'0230	—	High	—	—
		141	H'0234			—	—
		142	H'0238			—	—
		143	H'023C			—	—
		144	H'0240			—	—
		145	H'0244			—	—
		146	H'0248			—	—
		147	H'024C			—	—
		148	H'0250			—	—
		149	H'0254			—	—
		150	H'0258			—	—
		151	H'025C			—	—
		152	H'0260			—	—
		153	H'0264			—	—
		154	H'0268			—	—
155	H'026C	—	—				
SCI_3	ERI3	156	H'0270	IPRL10 to IPRL8	↑	—	—
	RXI3	157	H'0274			O	O
	TXI3	158	H'0278			O	O
	TEI3	159	H'027C			—	—
SCI_4	ERI4	160	H'0280	IPRL6 to IPRL4		—	—
	RXI4	161	H'0284			O	O
	TXI4	162	H'0288			O	O
	TEI4	163	H'028C			—	—
TPU_6	TGI6A	164	H'0290	IPRL2 to IPRL0		O	O
	TGI6B	165	H'0294			O	—
	TGI6C	166	H'0298			O	—
	TGI6D	167	H'029C			O	—
	TCI6V	168	H'02A0			IPRM14 to IPRM12	Low

Classification	Interrupt Source	Vector Number	Vector Address Offset*	IPR	Priority	DTC Activation	DMAC Activation	
TPU_7	TGI7A	169	H'02A4	IPRM10 to IPRM8	High	O	O	
	TGI7B	170	H'02A8			O	—	
	TCI7V	171	H'02AC			IPRM6 to IPRM4	—	—
	TCI7U	172	H'02B0			—	—	
TPU_8	TGI8A	173	H'02B4	IPRM2 to IPRM0		O	O	
	TGI8B	174	H'02B8			O	—	
	TCI8V	175	H'02BC			IPRN14 to IPRN12	—	—
	TCI8U	176	H'02C0			—	—	
TPU_9	TGI9A	177	H'02C4	IPRN10 to IPRN8		O	O	
	TGI9B	178	H'02C8			O	—	
	TGI9C	179	H'02CC			O	—	
	TGI9D	180	H'02D0			O	—	
	TCI9V	181	H'02D4			IPRN6 to IPRN4	—	—
TPU_10	TGI10A	182	H'02D8	IPRN2 to IPRN0		O	O	
	TGI10B	183	H'02DC			O	—	
	Reserved for system use	184	H'02E0			—	—	
	Reserved for system use	185	H'02E4			—	—	
	TCI10V	186	H'02E8			IPRO14 to IPRO12	O	—
	TCI10U	187	H'02EC			—	—	
TPU_11	TGI11A	188	H'02F0	IPRO10 to IPRO8		O	O	
	TGI11B	189	H'02F4			O	—	
	TCI11V	190	H'02F8			IPRO6 to IPRO4	—	—
	TCI11U	191	H'02FC			—	—	
—	Reserved for system use	192	H'0300	—		—	—	
		193	H'0304			—	—	
		194	H'0308			—	—	
		195	H'030C			Low	—	—

Classification	Interrupt Source	Vector Number	Vector Address Offset*	IPR	Priority	DTC Activation	DMAC Activation
—	Reserved for system use	196	H'0310		High ↑	—	—
		197	H'0314			—	—
		198	H'0318			—	—
		199	H'031C			—	—
		200	H'0320			—	—
		201	H'0324			—	—
		202	H'0328			—	—
		203	H'032C			—	—
		204	H'0330			—	—
		205	H'0334			—	—
		206	H'0338			—	—
		207	H'033C			—	—
		208	H'0340			—	—
		209	H'0344			—	—
		210	H'0348			—	—
		211	H'034C			—	—
		212	H'0350			—	—
		213	H'0354			—	—
		214	H'0358			—	—
		215	H'035C			—	—
216	H'0360		—	—			
217	H'0364		—	—			
218	H'0368		—	—			
219	H'036C		—	—			
SSU_0	Reserved for system use	224	H'0380	IPRR14 to IPRR12	Low	—	—
		225	H'0384			—	—
		226	H'0388			—	—
	SSERIO	227	H'038C	—		—	
	SSRXIO	228	H'0390	IPRR10 to IPRR8		—	O
SSTXIO	229	H'0394	—		O		

Classification	Interrupt Source	Vector Number	Vector Address Offset*	IPR	Priority	DTC Activation	DMAC Activation
SSU_1	Reserved for system use	230	H'0398		High ↑	—	—
	SSERI1	231	H'039C			—	—
	SSRXI1	232	H'03A0	IPRR6 to IPRR4		—	O
	SSTXI1	233	H'03A4			—	O
SSU_2	Reserved for system use	234	H'03A8			—	—
	SSERI2	235	H'03AC			—	—
	SSRXI2	236	H'03B0	IPRR2 to IPRR0		—	O
	SSTXI2	237	H'03B4			—	O
	Reserved for system use	238	H'03B8			—	—
—	Reserved for system use	239	H'03BC			—	—
		240	H'03C0	—		—	—
		241	H'03C4			—	—
		242	H'03C8			—	—
		243	H'03CC			—	—
		244	H'03D0			—	—
		245	H'03D4			—	—
		246	H'03D8			—	—
		247	H'03DC			—	—
		248	H'03E0			—	—
		249	H'03E4			—	—
		250	H'03E8			—	—
		251	H'03EC			—	—
		252	H'03F0			—	—
		253	H'03F4			—	—
		254	H'03F8			—	—
		255	H'03FC			—	Low

Note: * Lower 16 bits of the start address in advanced mode.

5.6 Interrupt Control Modes and Interrupt Operation

The interrupt controller has two interrupt control modes: interrupt control mode 0 and interrupt control mode 2. Interrupt operations differ depending on the interrupt control mode. The interrupt control mode is selected by INTCR. Table 5.3 shows the differences between interrupt control mode 0 and interrupt control mode 2.

Table 5.3 Interrupt Control Modes

Interrupt Control Mode	Priority Setting Register	Interrupt Mask Bit	Description
0	Default	I	The priority levels of the interrupt sources are fixed default settings. The interrupts except for NMI is masked by the I bit.
2	IPR	I2 to I0	Eight priority levels can be set for interrupt sources except for NMI with IPR. 8-level interrupt mask control is performed by bits I2 to I0.

5.6.1 Interrupt Control Mode 0

In interrupt control mode 0, interrupt requests except for NMI are masked by the I bit in CCR of the CPU. Figure 5.3 shows a flowchart of the interrupt acceptance operation in this case.

1. If an interrupt request occurs when the corresponding interrupt enable bit is set to 1, the interrupt request is sent to the interrupt controller.
2. If the I bit in CCR is set to 1, only an NMI interrupt is accepted, and other interrupt requests are held pending. If the I bit is cleared to 0, an interrupt request is accepted.
3. For multiple interrupt requests, the interrupt controller selects the interrupt request with the highest priority, sends the request to the CPU, and holds other interrupt requests pending.
4. When the CPU accepts the interrupt request, it starts interrupt exception handling after execution of the current instruction has been completed.
5. The PC and CCR contents are saved to the stack area during the interrupt exception handling. The PC contents saved on the stack is the address of the first instruction to be executed after returning from the interrupt handling routine.
6. Next, the I bit in CCR is set to 1. This masks all interrupts except NMI.

- The CPU generates a vector address for the accepted interrupt and starts execution of the interrupt handling routine at the address indicated by the contents of the vector address in the vector table.

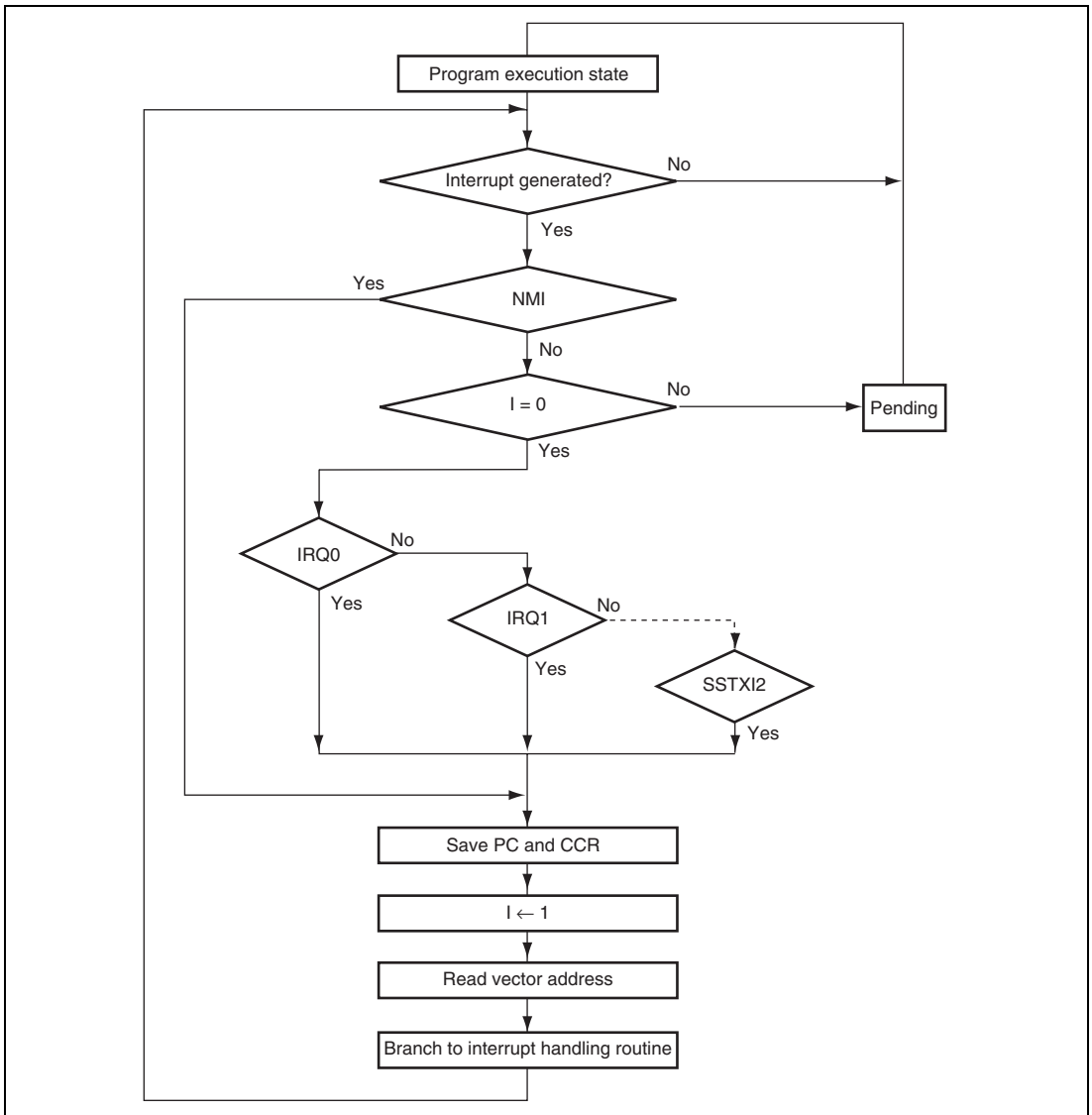


Figure 5.3 Flowchart of Procedure Up to Interrupt Acceptance in Interrupt Control Mode 0

5.6.2 Interrupt Control Mode 2

In interrupt control mode 2, interrupt requests except for NMI are masked by comparing the interrupt mask level (I2 to I0 bits) in EXR of the CPU and the IPR setting. There are eight levels in mask control. Figure 5.4 shows a flowchart of the interrupt acceptance operation in this case.

1. If an interrupt request occurs when the corresponding interrupt enable bit is set to 1, an interrupt request is sent to the interrupt controller.
2. For multiple interrupt requests, the interrupt controller selects the interrupt request with the highest priority according to the IPR setting, and holds other interrupt requests pending. If multiple interrupt requests has the same priority, an interrupt request is selected according to the default setting shown in table 5.2.
3. Next, the priority of the selected interrupt request is compared with the interrupt mask level set in EXR. When the interrupt request does not have priority over the mask level set, it is held pending, and only an interrupt request with a priority over the interrupt mask level is accepted.
4. When the CPU accepts an interrupt request, it starts interrupt exception handling after execution of the current instruction has been completed.
5. The PC, CCR, and EXR contents are saved to the stack area during interrupt exception handling. The PC saved on the stack is the address of the first instruction to be executed after returning from the interrupt handling routine.
6. The T bit in EXR is cleared to 0. The interrupt mask level is rewritten with the priority of the accepted interrupt. If the accepted interrupt is NMI, the interrupt mask level is set to H'7.
7. The CPU generates a vector address for the accepted interrupt and starts execution of the interrupt handling routine at the address indicated by the contents of the vector address in the vector table.

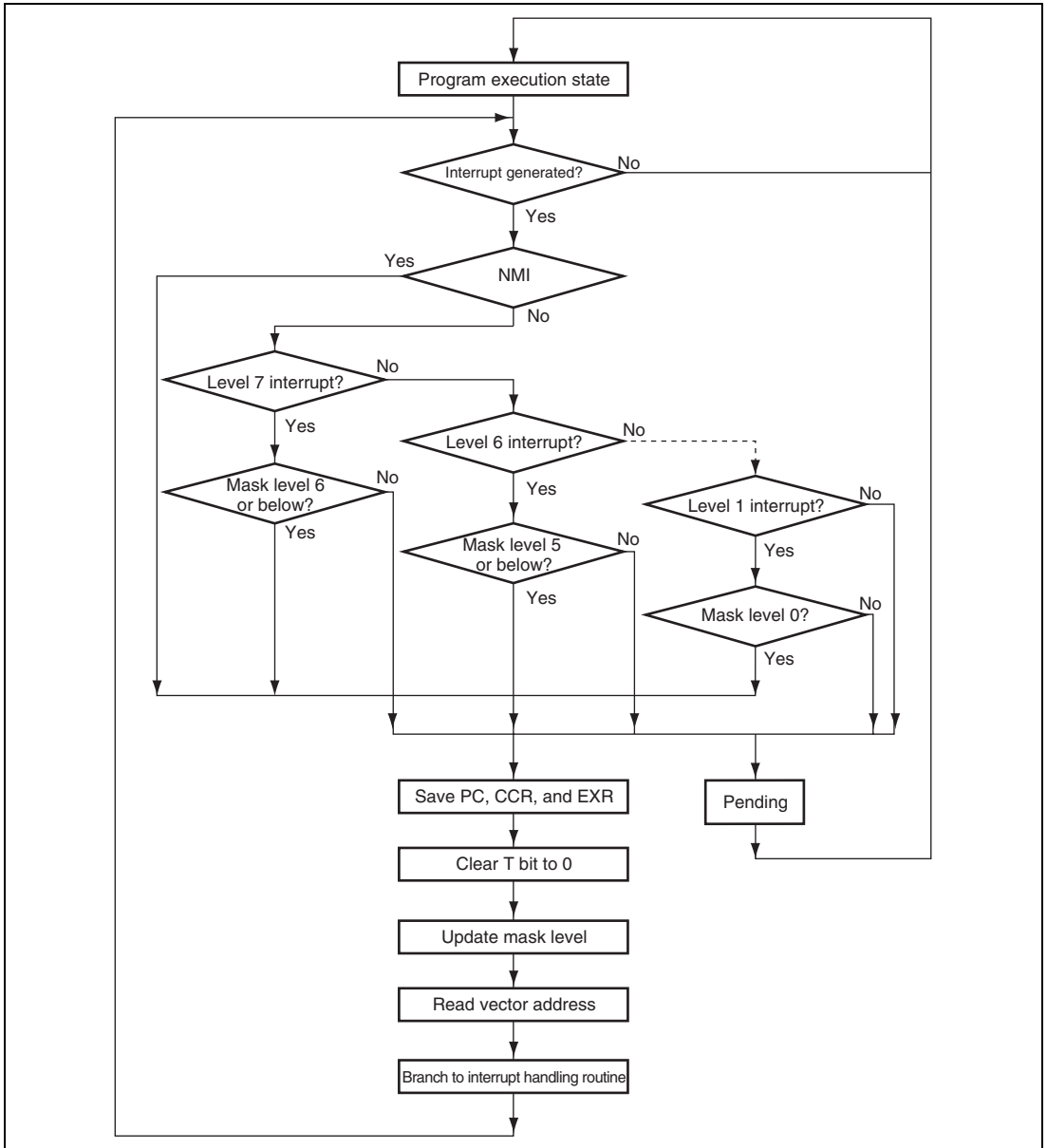


Figure 5.4 Flowchart of Procedure Up to Interrupt Acceptance in Interrupt Control Mode 2

5.6.3 Interrupt Exception Handling Sequence

Figure 5.5 shows the interrupt exception handling sequence. The example is for the case where interrupt control mode 0 is set in maximum mode, and the program area and stack area are in on-chip memory.

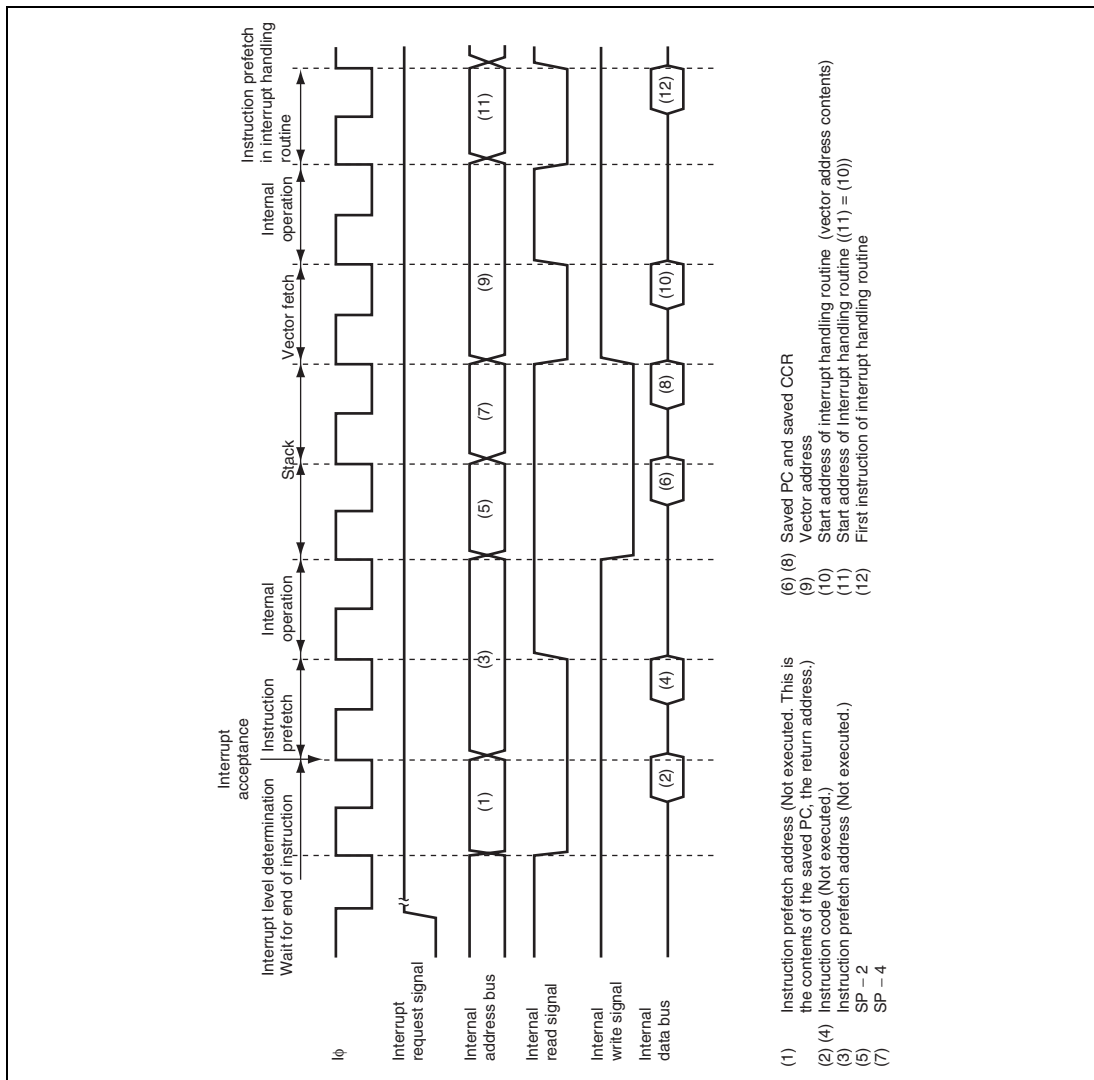


Figure 5.5 Interrupt Exception Handling

5.6.4 Interrupt Response Times

Table 5.4 shows interrupt response times – the interval between generation of an interrupt request and execution of the first instruction in the interrupt handling routine. The symbols for execution states used in table 5.4 are explained in table 5.5.

This LSI is capable of fast word transfer to on-chip memory, so allocating the program area in on-chip ROM and the stack area in on-chip RAM enables high-speed processing.

Table 5.4 Interrupt Response Times

Execution State	Normal Mode* ⁵		Advanced Mode		Maximum Mode ⁵	
	Interrupt Control Mode 0	Interrupt Control Mode 2	Interrupt Control Mode 0	Interrupt Control Mode 2	Interrupt Control Mode 0	Interrupt Control Mode 2
Interrupt priority decision* ¹				3		
Number of states until executing instruction ends* ²				1 to 19 + 2·S _i		
PC, CCR, EXR stacking	S _k to 2·S _k * ⁶	2·S _k	S _k to 2·S _k * ⁶	2·S _k	2·S _k	2·S _k
Vector fetch				S _h		
Instruction fetch* ³				2·S _i		
Internal processing* ⁴				2		
Total (using on-chip memory)	10 to 31	11 to 31	10 to 31	11 to 31	11 to 31	11 to 31

- Notes: 1. Two states for an internal interrupt.
 2. In the case of the MULXS or DIVXS instruction
 3. Prefetch after interrupt acceptance or for an instruction in the interrupt handling routine.
 4. Internal operation after interrupt acceptance or after vector fetch
 5. Not available in this LSI.
 6. When setting the SP value to 4n, the interrupt response time is S_k; when setting to 4n + 2, the interrupt response time is 2·S_k.

Table 5.5 Number of Execution States in Interrupt Handling Routine

Symbol	Object of Access						
	On-Chip Memory	External Device					
		8-Bit Bus		16-Bit Bus		32-Bit Bus	
		2-State Access	3-State Access	2-State Access	3-State Access	2-State Access	3-State Access
Vector fetch S_h	1	8	12 + 4m	4	6 + 2m	2	3 + m
Instruction fetch S_i	1	4	6 + 2m	2	3 + m	2	3 + m
Stack manipulation S_k	2	8	12 + 4m	4	6 + 2m	2	3 + m

[Legend]

m: Number of wait cycles in an external device access.

5.6.5 DTC and DMAC Activation by Interrupt

The DTC and DMAC can be activated by an interrupt. In this case, the following options are available:

- Interrupt request to the CPU
- Interrupt request to the DTC
- Activation request to the DMAC
- Combination of the above

For details on interrupt requests that can be used to activate the DMAC, see table 5.2 and section 7, DMA Controller (DMAC), and section 8, Data Transfer Controller (DTC).

Figure 5.6 shows a block diagram of the DTC, DMAC, and interrupt controller.

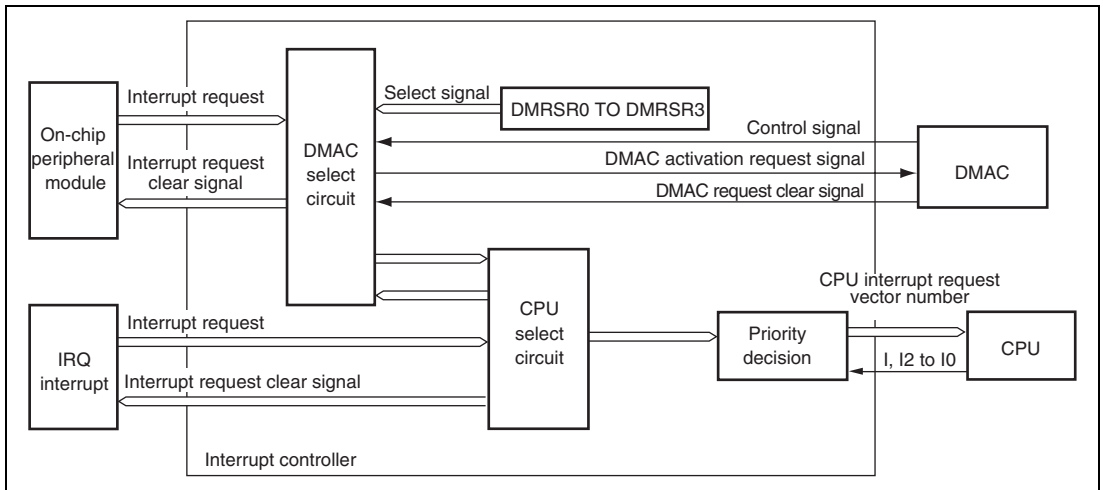


Figure 5.6 Block Diagram of DMAC and Interrupt Controller

(1) Selection of Interrupt Sources

The activation source for each DMAC channel is selected by DMRSR. The selected activation source is input to the DMAC through the select circuit. When transfer by an on-chip module interrupt is enabled ($DTF1 = 1$, $DTF0 = 0$, and $DTE = 1$ in DMDR) and the DTA bit in DMDR is set to 1, the interrupt source selected for the DMAC activation source is controlled by the DMAC and cannot be used as a DTC activation source or CPU interrupt source.

Interrupt sources that are not controlled by the DMAC are set for DTC activation sources or CPU interrupt sources by the DTCE bit in DTCERA to DTCERH of the DTC.

Specifying the DISEL bit in MRB of the DTC generates an interrupt request to the CPU by clearing the DTCE bit to 0 after the individual DTC data transfer.

Note that when the DTC performs a predetermined number of data transfers and the transfer counter indicates 0, an interrupt request is made to the CPU by clearing the DTCE bit to 0 after the DTC and DMAC data transfer.

When the same interrupt source is set as both the DTC and DMAC activation source and CPU interrupt source, the DTC and DMAC must be given priority over the CPU. If the IPSETE bit in CPUPCR is set to 1, the priority is determined according to the IPR setting. Therefore, the CPUP setting or the IPR setting corresponding to the interrupt source must be set to lower than or equal to the DTC and DMAP settings. If the CPU is given priority, the DTC and DMAC may not be activated and the data transfer may be performed.

(2) Priority Determination

The DTC activation source is selected according to the default priority, and the selection is not affected by its mask level or priority level. For respective priority levels, see table 8.1, Interrupt Sources, DTC Vector Addresses, and Corresponding DTCEs.

(3) Operation Order

If the same interrupt is selected as both the DTC activation source and CPU interrupt source, the CPU interrupt exception handling is performed after the DTC data transfer. If the same interrupt is selected as the DTC or DMAC activation source or CPU interrupt source, respective operations are performed independently.

Table 5.6 lists the selection of DMAC activation sources and the selection of interrupt sources and interrupt source clear control by means of the setting of the DTA bit in DMDR of the DMAC, the DTCE bit in DTCERA to DTCERH of the DTC, and the DISEL bit in MRB of the DTC.

Table 5.6 Interrupt Source Selection and Clear Control

DMAC Setting DTA	DTC Setting		Interrupt Source Selection/Clear Control		
	DTCE	DISEL	DMAC	DTC	CPU
0	0	*	O	X	√
	1	0	O	√	X
		1	O	O	√
1	*	*	√	X	X

[Legend]

- √: The corresponding interrupt is used. The interrupt source is cleared.
(The interrupt source flag must be cleared in the CPU interrupt handling routine.)
- O: The corresponding interrupt is used. The interrupt source is not cleared.
- X: The corresponding interrupt is not available.
- *: Don't care.

(4) Usage Note

The interrupt sources of the SCI, A/D converter, and SSU are cleared according to the setting shown in table 5.6, when the DTC or DMAC reads/writes the prescribed register.

To initiate multiple channels for the DTC and DMAC with the same interrupt, the same priority (DTCP = DMAP) should be assigned.

5.7 CPU Priority Control Function Over DTC and DMAC

The interrupt controller has a function to control the priority among the DTC, DMAC, and the CPU by assigning priority levels to the DTC, DMAC, and CPU. Since the priority level can automatically be assigned to the CPU on an interrupt occurrence, it is possible to execute the CPU interrupt exception handling prior to the DTC or DMAC transfer.

The priority level of the CPU is assigned by bits CPUP2 to CPUP0 in CPUPCR. The priority level of the DMAC is assigned to each channel by bits DMAP2 to DMAP0 in the DMA mode control registers 0 to 3 (DMDR_0 to DMDR_3).

The priority control function over the DTC and DMAC is enabled by setting the CPUPCE bit in CPUPCR to 1. When the CPUPCE bit is 1, the DTC and DMAC activation source is controlled according to the respective priority level.

The DTC activation source is controlled according to the priority level of the CPU indicated by bits CPUP2 to CPUP0 and the priority level of the DTC indicated by bits DTCP2 to DTCP0. If the CPU has priority, the DTC activation source is held. The DTC is activated when the condition by which the activation source is held is cancelled (CPUPCE = 1 and value of bits CPUP2 to CPUP0 is greater than that of bits DTCP2 to DTCP0). The priority level of the DTC is assigned by the DTCP2 to DTCP0 bits regardless of the activation source.

The priority level of the DMAC can be specified for each channel. The DMAC activation source is controlled according to the priority level of the CPU and the priority level of the DMAC indicated by bits DMAP2 to DMAP0. If the CPU has priority, the DMAC activation source is held. The DMAC is activated when the condition by which the activation source is held is cancelled (CPUPCE = 1 and value of bits CPUP2 to CPUP0 is greater than that of bits DMAP2 to DMAP0). When the different priority levels of the DMAC are assigned for the channels, the channel having higher priority continues to transfer while the channel having lower priority than the CPU is held.

There are two methods for assigning the priority level to the CPU by the IPSETE bit in CPUPCR. Setting the IPSETE bit to 1 enables a function to automatically assign the value of the interrupt mask bit of the CPU to the CPU priority level. Clearing the IPSETE bit to 0 disables the function to automatically assign the priority level. Therefore, the priority level is assigned directly by software rewriting bits CPUP2 to CPUP0. Even if the IPSETE bit is 1, the priority level of the CPU is software assignable by rewriting the interrupt mask bit of the CPU (I bit in CCR or I2 to I0 bits in EXR).

The priority level which is automatically assigned when the IPSETE bit is 1 differs according to the interrupt control mode.

In interrupt control mode 0, the I bit in CCR of the CPU is reflected in bit CPUP2. Bits CPUP1 and CPUP0 are fixed 0. In interrupt control mode 2, the values of bits I2 to I0 in EXR of the CPU are reflected in bits CPUP2 to CPUP0.

Table 5.7 shows the CPU priority control.

Table 5.7 CPU Priority Control

Interrupt Control Mode	Interrupt Priority	Interrupt Mask Bit	IPSETE in CPUPCR	Control Status	
				CPUP2 to CPUP0	Updating of CPUP2 to CPUP0
0	Default	I = any	0	B'111 to B'000	Enabled
		I = 0	1	B'000	Disabled
		I = 1		B'100	
2	IPR setting	I2 to I0	0	B'111 to B'000	Enabled
			1	I2 to I0	Disabled

Table 5.8 shows a setting example of the priority control function over the DTC and DMAC and the transfer request control state. Although the DMAC priority levels can be assigned for each channel, table 5.8 gives a single channel description. Thus, transfer for each channel can be performed independently by assigning the different priority levels.

Table 5.8 Example of Priority Control Function Setting and Control State

Interrupt Control Mode	CPUPCE in CPUPCR	CPUP2 to CPUP0	DTCP2 to DTCP0	DMAP2 to DMAP0	Transfer Request Control State	
					DTC	DMAC
0	0	Any	Any	Any	Enabled	Enabled
	1	B'000	B'000	B'000	Enabled	Enabled
		B'100	B'000	B'000	Masked	Masked
		B'100	B'000	B'011	Masked	Masked
		B'100	B'111	B'101	Enabled	Enabled
		B'000	B'111	B'101	Enabled	Enabled
2	0	Any	Any	Any	Enabled	Enabled
	1	B'000	B'000	B'000	Enabled	Enabled
		B'000	B'011	B'101	Enabled	Enabled
		B'011	B'011	B'101	Enabled	Enabled
		B'100	B'011	B'101	Masked	Enabled
		B'101	B'011	B'101	Masked	Enabled
		B'110	B'011	B'101	Masked	Masked
		B'111	B'011	B'101	Masked	Masked
		B'101	B'011	B'101	Masked	Enabled
		B'101	B'110	B'101	Enabled	Enabled

5.8 Usage Notes

5.8.1 Conflict between Interrupt Generation and Disabling

When an interrupt enable bit is cleared to 0 to mask the interrupt, the masking becomes effective after execution of the instruction.

When an interrupt enable bit is cleared to 0 by an instruction such as BCLR or MOV, if an interrupt is generated during execution of the instruction, the interrupt concerned will still be enabled on completion of the instruction, and so interrupt exception handling for that interrupt will be executed on completion of the instruction. However, if there is an interrupt request with priority over that interrupt, interrupt exception handling will be executed for the interrupt with priority, and another interrupt will be ignored. The same also applies when an interrupt source flag is cleared to 0. Figure 5.7 shows an example in which the TCIEV bit in TIER of the TPU is cleared to 0. The above conflict will not occur if an enable bit or interrupt source flag is cleared to 0 while the interrupt is masked.

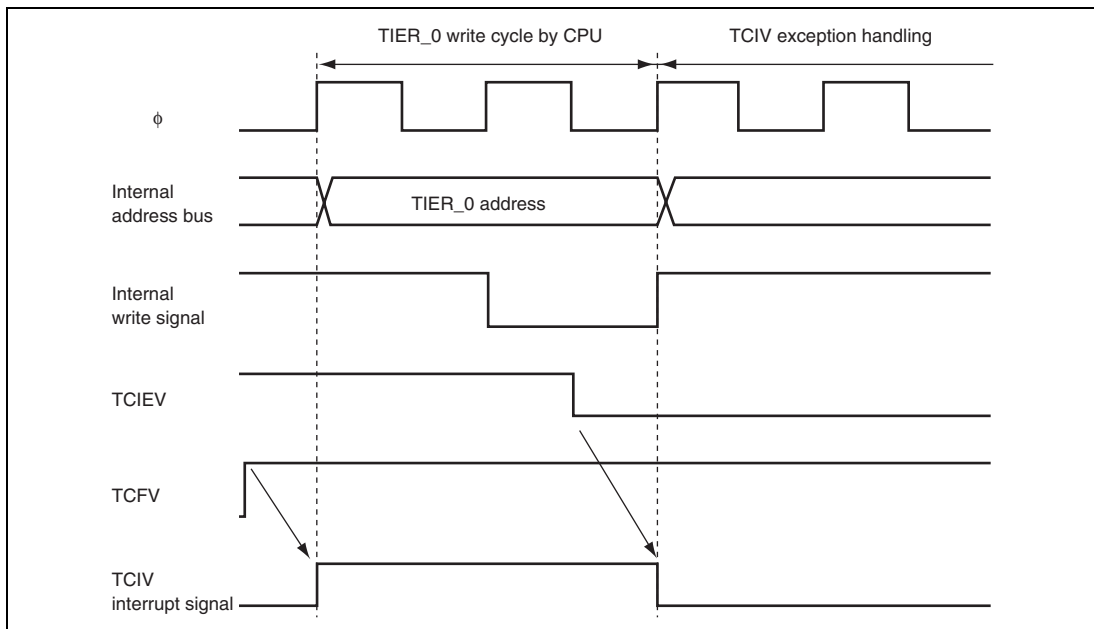


Figure 5.7 Conflict between Interrupt Generation and Disabling

Similarly, when an interrupt is requested immediately before the DTC enable bit is changed to activate the DTC, DTC activation and the interrupt exception handling by the CPU are both executed. When changing the DTC enable bit, make sure that an interrupt is not requested.

5.8.2 Instructions that Disable Interrupts

Instructions that disable interrupts immediately after execution are LDC, ANDC, ORC, and XORC. After any of these instructions is executed, all interrupts including NMI are disabled and the next instruction is always executed. When the I bit is set by one of these instructions, the new value becomes valid two states after execution of the instruction ends.

5.8.3 Times when Interrupts are Disabled

There are times when interrupt acceptance is disabled by the interrupt controller.

The interrupt controller disables interrupt acceptance for a 3-state period after the CPU has updated the mask level with an LDC, ANDC, ORC, or XORC instruction, and for a period of writing to the registers of the interrupt controller.

5.8.4 Interrupts during Execution of EEPMOV Instruction

Interrupt operation differs between the EEPMOV.B and the EEPMOV.W instructions.

With the EEPMOV.B instruction, an interrupt request (including NMI) issued during the transfer is not accepted until the transfer is completed.

With the EEPMOV.W instruction, if an interrupt request is issued during the transfer, interrupt exception handling starts at the end of the individual transfer cycle. The PC value saved on the stack in this case is the address of the next instruction. Therefore, if an interrupt is generated during execution of an EEPMOV.W instruction, the following coding should be used.

```
L1:   EEPMOV.W  
      MOV.W  R4,R4  
      BNE   L1
```


5.8.5 Interrupts during Execution of MOVMD and MOVSD Instructions

With the MOVMD and MOVSD instructions, if an interrupt request is issued during the transfer, interrupt exception handling starts at the end of the individual transfer cycle. The PC value saved on the stack in this case is the address of the MOVMD or MOVSD instruction. The transfer of the remaining data is resumed after returning from the interrupt handling routine.

5.8.6 Interrupt Flags of Peripheral Modules

To clear an interrupt request flag of a peripheral module by the CPU, the flag must be read from after being cleared within the interrupt handling routine even if the peripheral module clock is not generated by dividing the system clock. This makes the request signal synchronized with the system clock.

Section 6 Bus Controller (BSC)

This LSI has an on-chip bus controller (BSC) that has a bus arbitration function and controls the operation of the internal bus masters; CPU, DMAC, and DTC.

6.1 Features

- Write data buffer function

Write access to an on-chip peripheral module and access to the on-chip memory can be performed in parallel.

- Bus arbitration function

Includes a bus arbiter that arbitrates bus mastership between the CPU and DMAC.

Bus mastership can be shared between the CPU, DMAC, and DTC when a conflict occurs.

- Multi-clock function

On-chip peripheral functions can be synchronized with the on-chip peripheral module clock ($P\phi$).

A block diagram of the bus controller is shown in figure 6.1.

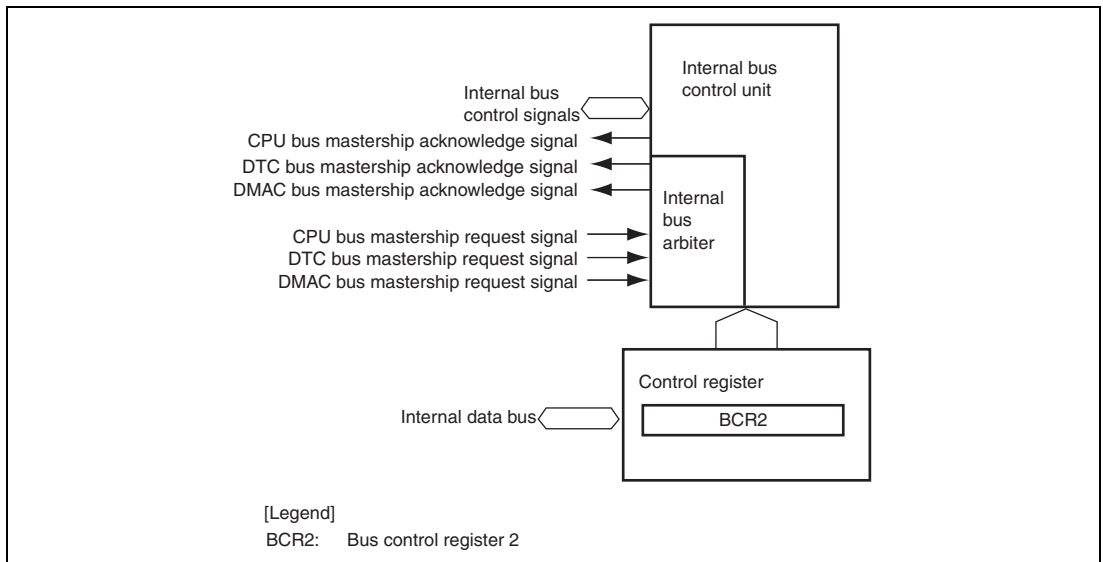


Figure 6.1 Block Diagram of Bus Controller

6.2 Register Descriptions

The bus controller has the following registers.

- Bus control register 2 (BCR2)

6.2.1 Bus Control Register 2 (BCR2)

BCR2 is used for bus arbitration control of the CPU, DMAC, and DTC, and enabling/disabling of the write data buffer function to the peripheral device.

Bit	7	6	5	4	3	2	1	0
Bit Name	—	—	—	IBCCS	—	—	—	PWDBE
Initial Value	0	0	0	0	0	0	1	0
R/W	R	R	R/W	R/W	R	R	R/W	R/W

Bit	Bit Name	Initial Value	R/W	Description
7, 6	—	All 0	R	Reserved These are read-only bits and cannot be modified.
5	—	0	R/W	Reserved This bit is always read as 0. The write value should always be 0.
4	IBCCS	0	R/W	Internal Bus Cycle Control Select Selects the internal bus arbiter function. 0: Releases the bus mastership according to the priority 1: Executes the bus cycles alternatively when a CPU bus mastership request conflicts with a DMAC or DTC bus mastership request
3, 2	—	All 0	R	Reserved These are read-only bits and cannot be modified.
1	—	1	R/W	Reserved This bit is always read as 1. The write value should always be 1.

Bit	Bit Name	Initial Value	R/W	Description
0	PWDBE	0	R/W	Peripheral Module Write Data Buffer Enable Specifies whether or not to use the write data buffer function for the peripheral module write cycles. 0: Write data buffer function not used 1: Write data buffer function used

6.3 Bus Configuration

Figure 6.2 shows the internal bus configuration of this LSI. The internal bus of this LSI consists of the following two types.

- Internal system bus 1
A bus that connects the CPU, DTC, DMAC, on-chip ROM, on-chip RAM, and internal peripheral bus.
- Internal peripheral bus
A bus that accesses registers in the DMAC, bus controller and interrupt controller and registers of peripheral modules such as SCI and timer.

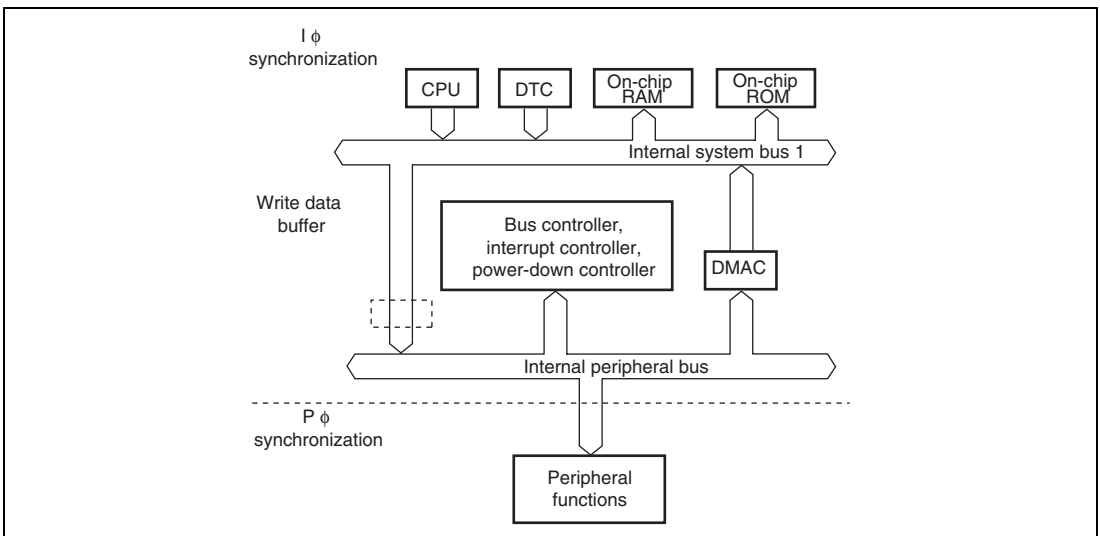


Figure 6.2 Internal Bus Configuration

6.4 Multi-Clock Function

The internal functions of this LSI operate synchronously with the system clock ($I\phi$) or the peripheral module clock ($P\phi$). Table 6.1 shows the synchronization clock and their corresponding functions.

Table 6.1 Synchronization Clocks and Their Corresponding Functions

Synchronization Clock	Function Name
$I\phi$	MCU operating mode
	Interrupt controller
	Bus controller
	CPU
	DTC
	DMAC
	Internal memory
	Clock pulse generator
	Power down control
$P\phi$	I/O ports
	TPU
	PPG
	WDT
	SCI
	SSU
	A/D

The frequency of each synchronization clock ($I\phi$ and $P\phi$) is specified by the system clock control register (SCKCR) independently. For further details, see section 18, Clock Pulse Generator.

6.5 Internal Bus

6.5.1 Access to Internal Address Space

The internal address spaces of this LSI are the on-chip ROM space, on-chip RAM space and register space for the on-chip peripheral modules. The number of cycles necessary for access differs according to the space.

Table 6.2 shows the number of access cycles for each on-chip memory space.

Table 6.2 Number of Access Cycles for On-Chip Memory Spaces

Access Space	Access	Number of Access Cycles
On-chip ROM space	Read	One 1ϕ cycle
On-chip RAM space	Read	One 1ϕ cycle
	Write	Two 1ϕ cycles

In access to the registers for on-chip peripheral modules, the number of access cycles differs according to the register to be accessed. When the dividing ratio of the operating clock of a bus master and that of a peripheral module is 1 : n, synchronization cycles using a clock divided by 0 to n-1 are inserted for register access.

Table 6.3 Number of Access Cycles for Registers of On-Chip Peripheral Modules

Module to be Accessed	Number of Cycles		Write Data Buffer Function
	Read	Write	
DMAC registers		21ϕ	Disabled
MCU operating mode, clock pulse generator, power-down control, interrupt controller, and bus controller registers	21ϕ	31ϕ	Disabled
I/O port PFCR registers and WDT registers	$2P\phi$	$3P\phi$	Disabled
TPU, PPG, SCI, and A/D registers and I/O port registers other than PFCR		$2P\phi$	Enabled
SSU registers		$3P\phi$	Enabled

6.6 Write Data Buffer Function

6.6.1 Write Data Buffer Function for Peripheral Module

This LSI has a write data buffer function for the peripheral module. Using the write data buffer function enables external writes and on-chip memory accesses in parallel. The write data buffer function is made available by setting the PWDBE bit in BCR2 to 1.

Figure 6.3 shows an example of the timing when the write data buffer function is used. When this function is used, if a peripheral module write continues for two cycles or longer, and there is an internal access next, only the peripheral module write is executed in the first two cycles. However, from the next cycle onward, on-chip memory accesses and the external address space write rather than waiting until it ends are executed in parallel.

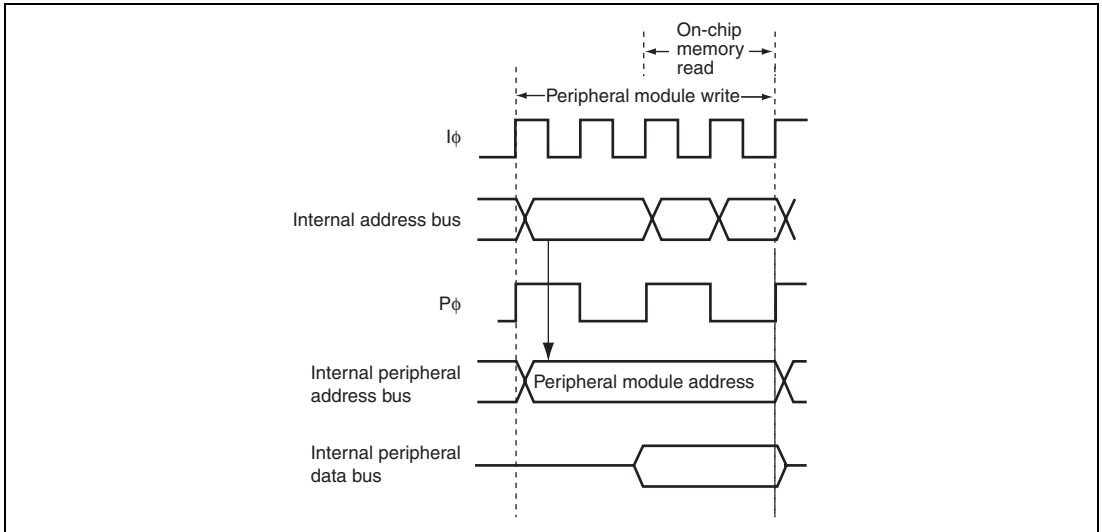


Figure 6.3 Example of Timing when Write Data Buffer Function is Used

6.7 Bus Arbitration

This LSI has bus arbiters that arbitrate bus mastership operations (bus arbitration). The internal bus arbiter handles the CPU, DTC, and DMAC accesses.

The bus arbiters decide priority at the prescribed timing, and permit use of the bus by means of the bus request acknowledge signal.

6.7.1 Operation

The bus arbiter detects the bus masters' bus request signals, and if the bus is requested, sends a bus request acknowledge signal to the bus master. If there are bus requests from more than one bus master, the bus request acknowledge signal is sent to the one with the highest priority. When a bus master receives the bus request acknowledge signal, it takes possession of the bus until that signal is canceled.

The priority of the internal bus arbitration:

(High) DMAC > DTC > CPU (Low)

If the DMAC or DTC accesses continue, the CPU can be given priority over the DMAC and DTC to execute the bus cycles alternatively between DMAC or DTC by setting the IBCCS bit in BCR2. In this case, the priority between the DMAC and DTC does not change.

6.7.2 Bus Transfer Timing

Even if a bus request is received from a bus master with a higher priority over that of the bus master that has taken control of the bus and is currently operating, the bus is not necessarily transferred immediately. There are specific timings at which each bus master can release the bus.

(1) CPU

The CPU is the lowest-priority bus master, and if a bus request is received from the DMAC or DTC, the bus arbiter transfers the bus to the bus master that issued the request.

The timing for transfer of the bus is at the end of the bus cycle. In sleep mode, the bus is transferred synchronously with the clock.

Note, however, that the bus cannot be transferred in the following cases.

- The word or longword access is performed in some divisions.
- Stack handling is performed in multiple bus cycles.
- Transfer data read or write by memory transfer instructions, block transfer instructions, or TAS instruction.

(In the block transfer instructions, the bus can be transferred in the write cycle and the following transfer data read cycle.)

- From the target read to write in the bit manipulation instructions or memory operation instructions.

(In an instruction that performs no write operation according to the instruction condition, up to a cycle corresponding the write cycle)

(2) DTC

The DTC sends the internal bus arbiter a request for the bus when an activation request is generated. When the DTC accesses an external bus space, the DTC first takes control of the bus from the internal bus arbiter and then requests a bus to the external bus arbiter.

Once the DTC takes control of the bus, the DTC continues the transfer processing cycles. If a bus master whose priority is higher than the DTC requests the bus, the DTC transfers the bus to the higher priority bus master. If the IBCSS bit in BCR2 is set to 1, the DTC transfers the bus to the CPU.

Note, however, that the bus cannot be transferred in the following cases.

- During transfer information read
- During the first data transfer
- During transfer information write back

The DTC releases the bus when the consecutive transfer cycles completed.

(3) DMAC

The DMAC sends the internal bus arbiter a request for the bus when an activation request is generated.

Once the DMAC takes control of the bus, it continues the transfer processing cycles, or releases the bus every transfer cycle.

The bus cannot be transferred in the following cases.

- Between a read cycle and the corresponding write cycle in dual address mode

While the IBCCS bit in BCR2 is cleared to 0, the bus cannot be transferred in the following cases.

- During 1-block data transfer in block transfer mode
- During burst access transfer

The DMAC releases the bus when the consecutive transfer cycles completed except the above cycles.

6.8 Bus Controller Operation in Reset

In a reset, this LSI, including the bus controller, enters the reset state immediately, and any executing bus cycle is aborted.

6.9 Usage Notes

(1) All-Module-Clock-Stop Mode

In this LSI, if the ACSE bit in MSTPCR is set to 1 with the setting for all peripheral module clocks to be stopped (MSTPCR = H'FFFFFFFF), a transition is made to the all-module-clock-stop mode. For details, see section 19, Power-Down Modes.

Section 7 DMA Controller (DMAC)

This LSI includes a 4-channel DMA controller (DMAC).

7.1 Features

- Maximum of 4-G byte address space can be accessed
- Byte, word, or longword can be set as data transfer unit
- Maximum of 4-G bytes (4,294,967,295 bytes) can be set as total transfer size
Supports free-running mode in which total transfer size setting is not needed
- DMAC activation methods are auto-request, on-chip module interrupt, and external request.
Auto request: CPU activates (cycle stealing or burst access can be selected)
On-chip module interrupt: Interrupt requests from on-chip peripheral modules can be selected as an activation source
External request*: Low level or falling edge detection of the $\overline{\text{DREQ}}$ signal can be selected (external request is available for all four channels)
- Dual or single address mode can be selected as address mode
Dual address mode: Both source and destination are specified by addresses
Single address mode*: Either source or destination is specified by the $\overline{\text{DREQ}}$ signal and the other is specified by address
- Normal, repeat, or block transfer can be selected as transfer mode
Normal transfer mode: One byte, one word, or one longword data is transferred at a single transfer request
Repeat transfer mode: One byte, one word, or one longword data is transferred at a single transfer request
Repeat size of data is transferred and then a transfer address returns to the transfer start address
Up to 65536 transfers (65,536 bytes/words/longwords) can be set as repeat size
Block transfer mode: One block data is transferred at a single transfer request
Up to 65,536 bytes/words/longwords can be set as block size
- Extended repeat area function which repeats the addressees within a specified area using the transfer address with the fixed upper bits (ring buffer transfer can be performed, as an example) is available
One bit (two bytes) to 27 bits (128 Mbytes) for transfer source and destination can be set as extended repeat areas

- Address update can be selected from fixed address, offset addition, and increment or decrement by 1, 2, or 4
Address update by offset addition enables to transfer data at addresses which are not placed continuously
- Word or longword data can be transferred to an address which is not aligned with the respective boundary
Data is divided according to its address (byte or word) when it is transferred
- Two types of interrupts can be requested to the CPU
A transfer end interrupt is generated after the number of data specified by the transfer counter is transferred. A transfer escape end interrupt is generated when the remaining total transfer size is less than the transfer data size at a single transfer request, when the repeat size of data transfer is completed, or when the extended repeat area overflows.

Note: * An external request and single address mode are not supported by the H8SX/1582.

A block diagram of the DMAC is shown in figure 7.1.

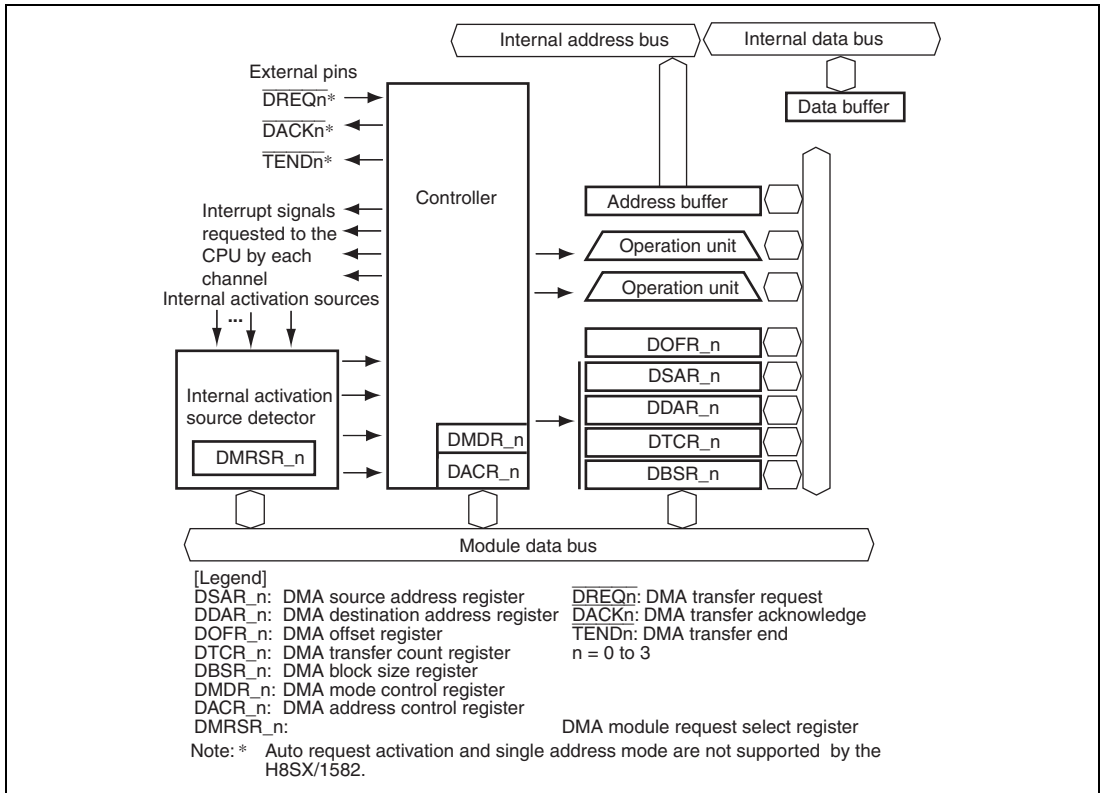


Figure 7.1 Block Diagram of DMAC

7.2 Register Descriptions

The DMAC has the following registers.

Channel 0:

- DMA source address register_0 (DSAR_0)
- DMA destination address register_0 (DDAR_0)
- DMA offset register_0 (DOFR_0)
- DMA transfer count register_0 (DTCR_0)
- DMA block size register_0 (DBSR_0)
- DMA mode control register_0 (DMDR_0)
- DMA address control register_0 (DACR_0)
- DMA module request select register_0 (DMRSR_0)

Channel 1:

- DMA source address register_1 (DSAR_1)
- DMA destination address register_1 (DDAR_1)
- DMA offset register_1 (DOFR_1)
- DMA transfer count register_1 (DTCR_1)
- DMA block size register_1 (DBSR_1)
- DMA mode control register_1 (DMDR_1)
- DMA address control register_1 (DACR_1)
- DMA module request select register_1 (DMRSR_1)

Channel 2:

- DMA source address register_2 (DSAR_2)
- DMA destination address register_2 (DDAR_2)
- DMA offset register_2 (DOFR_2)
- DMA transfer count register_2 (DTCR_2)
- DMA block size register_2 (DBSR_2)
- DMA mode control register_2 (DMDR_2)
- DMA address control register_2 (DACR_2)
- DMA module request select register_2 (DMRSR_2)

Channel 3:

- DMA source address register_3 (DSAR_3)
- DMA destination address register_3 (DDAR_3)
- DMA offset register_3 (DOFR_3)
- DMA transfer count register_3 (DTCR_3)
- DMA block size register_3 (DBSR_3)
- DMA mode control register_3 (DMDR_3)
- DMA address control register_3 (DACR_3)
- DMA module request select register_3 (DMRSR_3)

7.2.1 DMA Source Address Register (DSAR)

DSAR is a 32-bit readable/writable register that specifies the transfer source address. DSAR updates the transfer source address every time data is transferred. When DDAR is specified as the destination address (the DIRS bit in DACR is 1) in single address mode, DSAR is ignored.

Although DSAR can always be read from by the CPU, it must be read from in longwords and must not be written to while data for the channel is being transferred.

Bit	31	30	29	28	27	26	25	24
Bit Name								
Initial Value	0	0	0	0	0	0	0	0
R/W	R/W	R/W	R/W	R/W	R/W	R/W	R/W	R/W
Bit	23	22	21	20	19	18	17	16
Bit Name								
Initial Value	0	0	0	0	0	0	0	0
R/W	R/W	R/W	R/W	R/W	R/W	R/W	R/W	R/W
Bit	15	14	13	12	11	10	9	8
Bit Name								
Initial Value	0	0	0	0	0	0	0	0
R/W	R/W	R/W	R/W	R/W	R/W	R/W	R/W	R/W
Bit	7	6	5	4	3	2	1	0
Bit Name								
Initial Value	0	0	0	0	0	0	0	0
R/W	R/W	R/W	R/W	R/W	R/W	R/W	R/W	R/W

7.2.2 DMA Destination Address Register (DDAR)

DDAR is a 32-bit readable/writable register that specifies the transfer destination address. DDAR updates the transfer destination address every time data is transferred. When DSAR is specified as the source address (the DIRS bit in DACR is 0) in single address mode, DDAR is ignored.

Although DDAR can always be read from by the CPU, it must be read from in longwords and must not be written to while data for the channel is being transferred.

Bit	31	30	29	28	27	26	25	24
Bit Name								
Initial Value	0	0	0	0	0	0	0	0
R/W	R/W	R/W	R/W	R/W	R/W	R/W	R/W	R/W
Bit	23	22	21	20	19	18	17	16
Bit Name								
Initial Value	0	0	0	0	0	0	0	0
R/W	R/W	R/W	R/W	R/W	R/W	R/W	R/W	R/W
Bit	15	14	13	12	11	10	9	8
Bit Name								
Initial Value	0	0	0	0	0	0	0	0
R/W	R/W	R/W	R/W	R/W	R/W	R/W	R/W	R/W
Bit	7	6	5	4	3	2	1	0
Bit Name								
Initial Value	0	0	0	0	0	0	0	0
R/W	R/W	R/W	R/W	R/W	R/W	R/W	R/W	R/W

7.2.3 DMA Offset Register (DOFR)

DOFR is a 32-bit readable/writable register that specifies the offset to update the source and destination addresses. Although different values are specified for individual channels, the same values must be specified for the source and destination sides of a single channel.

Bit	31	30	29	28	27	26	25	24
Bit Name								
Initial Value	0	0	0	0	0	0	0	0
R/W	R/W	R/W	R/W	R/W	R/W	R/W	R/W	R/W
Bit	23	22	21	20	19	18	17	16
Bit Name								
Initial Value	0	0	0	0	0	0	0	0
R/W	R/W	R/W	R/W	R/W	R/W	R/W	R/W	R/W
Bit	15	14	13	12	11	10	9	8
Bit Name								
Initial Value	0	0	0	0	0	0	0	0
R/W	R/W	R/W	R/W	R/W	R/W	R/W	R/W	R/W
Bit	7	6	5	4	3	2	1	0
Bit Name								
Initial Value	0	0	0	0	0	0	0	0
R/W	R/W	R/W	R/W	R/W	R/W	R/W	R/W	R/W

7.2.4 DMA Transfer Count Register (DTCR)

DTCR is a 32-bit readable/writable register that specifies the size of data to be transferred (total transfer size).

To transfer 1-byte data in total, set H'00000001 in DTCR. When H'00000000 is set in this register, it means that the total transfer size is not specified and data is transferred with the transfer counter stopped (free running mode). When H'FFFFFFFF is set, the total transfer size is 4 Gbytes (4,294,967,295), which is the maximum size. While data is being transferred, this register indicates the remaining transfer size. The value corresponding to its data access size is subtracted every time data is transferred (byte: -1, word: -2, and longword: -4).

Although DTCR can always be read from by the CPU, it must be read from in longwords and must not be written to while data for the channel is being transferred.

Bit	31	30	29	28	27	26	25	24
Bit Name								
Initial Value	0	0	0	0	0	0	0	0
R/W	R/W	R/W	R/W	R/W	R/W	R/W	R/W	R/W
Bit	23	22	21	20	19	18	17	16
Bit Name								
Initial Value	0	0	0	0	0	0	0	0
R/W	R/W	R/W	R/W	R/W	R/W	R/W	R/W	R/W
Bit	15	14	13	12	11	10	9	8
Bit Name								
Initial Value	0	0	0	0	0	0	0	0
R/W	R/W	R/W	R/W	R/W	R/W	R/W	R/W	R/W
Bit	7	6	5	4	3	2	1	0
Bit Name								
Initial Value	0	0	0	0	0	0	0	0
R/W	R/W	R/W	R/W	R/W	R/W	R/W	R/W	R/W

7.2.5 DMA Block Size Register (DBSR)

DBSR specifies the repeat size or block size. DBSR is enabled in repeat transfer mode and block transfer mode and is disabled in normal transfer mode.

Bit	31	30	29	28	27	26	25	24
Bit Name	BKSZH31	BKSZH30	BKSZH29	BKSZH28	BKSZH27	BKSZH26	BKSZH25	BKSZH24
Initial Value	0	0	0	0	0	0	0	0
R/W	R/W	R/W	R/W	R/W	R/W	R/W	R/W	R/W
Bit	23	22	21	20	19	18	17	16
Bit Name	BKSZH23	BKSZH22	BKSZH21	BKSZH20	BKSZH19	BKSZH18	BKSZH17	BKSZH16
Initial Value	0	0	0	0	0	0	0	0
R/W	R/W	R/W	R/W	R/W	R/W	R/W	R/W	R/W
Bit	15	14	13	12	11	10	9	8
Bit Name	BKSZ15	BKSZ14	BKSZ13	BKSZ12	BKSZ11	BKSZ10	BKSZ9	BKSZ8
Initial Value	0	0	0	0	0	0	0	0
R/W	R/W	R/W	R/W	R/W	R/W	R/W	R/W	R/W
Bit	7	6	5	4	3	2	1	0
Bit Name	BKSZ7	BKSZ6	BKSZ5	BKSZ4	BKSZ3	BKSZ2	BKSZ1	BKSZ0
Initial Value	0	0	0	0	0	0	0	0
R/W	R/W	R/W	R/W	R/W	R/W	R/W	R/W	R/W

Bit	Bit Name	Initial Value	R/W	Description
31 to 16	BKSZH31 to BKSZH16	Undefined	R/W	Specify the repeat size or block size. When H'0001 is set, the repeat or block size is one byte, one word, or one longword. When H'0000 is set, it means the maximum value (refer to table 7.1). While the DMA is in operation, the setting is fixed.
15 to 0	BKSZ15 to BKSZ0	Undefined	R/W	Indicate the remaining repeat or block size while the DMA is in operation. The value is decremented by 1 every time data is transferred. When the remaining size becomes 0, the value of the BKSZH bits is loaded. Set the same value as the BKSZH bits.

Table 7.1 Data Access Size, Valid Bits, and Settable Size

Mode	Data Access Size	BKSZH Valid Bits	BKSZ Valid Bits	Settable Size (Byte)
Repeat transfer and block transfer	Byte	31 to 16	15 to 0	1 to 65,536
	Word			2 to 131,072
	Longword			4 to 262,144

7.2.6 DMA Mode Control Register (DMDR)

DMDR controls the DMAC operation.

- DMDR_0

Bit	31	30	29	28	27	26	25	24
Bit Name	DTE	DACKE	TENDE	—	DREQS	NRD	—	—
Initial Value	0	0	0	0	0	0	0	0
R/W	R/W	R/W	R/W	R/W	R/W	R/W	R	R
Bit	23	22	21	20	19	18	17	16
Bit Name	ACT	—	—	—	ERRF	—	ESIF	DTIF
Initial Value	0	0	0	0	0	0	0	0
R/W	R	R	R	R	R/(W)*	R	R/(W)*	R/(W)*
Bit	15	14	13	12	11	10	9	8
Bit Name	DTSZ1	DTSZ0	MDS1	MDS0	TSEIE	—	ESIE	DTIE
Initial Value	0	0	0	0	0	0	0	0
R/W	R/W	R/W	R/W	R/W	R/W	R	R/W	R/W
Bit	7	6	5	4	3	2	1	0
Bit Name	DTF1	DTF0	DTA	—	—	DMAP2	DMAP1	DMAP0
Initial Value	0	0	0	0	0	0	0	0
R/W	R/W	R/W	R/W	R	R	R/W	R/W	R/W

Note: * Only 0 can be written to this bit after having been read as 1, to clear the flag.

- DMDR_1 to DMDR_3

Bit	31	30	29	28	27	26	25	24
Bit Name	DTE	DACKE	TENDE	—	DREQS	NRD	—	—
Initial Value	0	0	0	0	0	0	0	0
R/W	R/W	R/W	R/W	R/W	R/W	R/W	R	R
Bit	23	22	21	20	19	18	17	16
Bit Name	ACT	—	—	—	—	—	ESIF	DTIF
Initial Value	0	0	0	0	0	0	0	0
R/W	R	R	R	R	R	R	R/(W)*	R/(W)*
Bit	15	14	13	12	11	10	9	8
Bit Name	DTSZ1	DTSZ0	MDS1	MDS0	TSEIE	—	ESIE	DTIE
Initial Value	0	0	0	0	0	0	0	0
R/W	R/W	R/W	R/W	R/W	R/W	R	R/W	R/W
Bit	7	6	5	4	3	2	1	0
Bit Name	DTF1	DTF0	DTA	—	—	DMAP2	DMAP1	DMAP0
Initial Value	0	0	0	0	0	0	0	0
R/W	R/W	R/W	R/W	R	R	R/W	R/W	R/W

Note: * Only 0 can be written to this bit after having been read as 1, to clear the flag.

Bit	Bit Name	Initial Value	R/W	Description
31	DTE	0	R/W	<p>Data Transfer Enable</p> <p>Enables/disables a data transfer for the corresponding channel. When this bit is set to 1, it indicates that the DMAC is in operation.</p> <p>Setting this bit to 1 starts a transfer when the auto-request is selected. When the on-chip module interrupt or external request is selected, a transfer request after setting this bit to 1 starts the transfer. While data is being transferred, clearing this bit to 0 stops the transfer.</p> <p>In block transfer mode, if writing 0 to this bit while data is being transferred, this bit is cleared to 0 after the current 1-block size data transfer.</p> <p>If an event which stops (sustains) a transfer occurs externally, this bit is automatically cleared to 0 to stop the transfer.</p> <p>Operating modes and transfer methods must not be changed while this bit is set to 1.</p> <p>0: Disables a data transfer 1: Enables a data transfer (DMA is in operation)</p> <p>[Clearing conditions]</p> <ul style="list-style-type: none"> • When the specified total transfer size of transfers is completed • When a transfer is stopped by an overflow interrupt by a repeat size end • When a transfer is stopped by an overflow interrupt by an extended repeat size end • When a transfer is stopped by a transfer size error interrupt • When clearing this bit to 0 to stop a transfer <p>In block transfer mode, this bit changes after the current block transfer.</p> <ul style="list-style-type: none"> • When an address error or an NMI interrupt is requested • In the reset state or hardware standby mode

Bit	Bit Name	Initial Value	R/W	Description
30	DACKE	0	R/W	<p>$\overline{\text{DACK}}$ Signal Output Enable</p> <p>Enables/disables the $\overline{\text{DACK}}$ signal output in single address mode. This bit is ignored in dual address mode.</p> <p>0: Enables $\overline{\text{DACK}}$ signal output</p> <p>1: Disables $\overline{\text{DACK}}$ signal output</p>
29	TENDE	0	R/W	<p>$\overline{\text{TEND}}$ Signal Output Enable</p> <p>Enables/disables the $\overline{\text{TEND}}$ signal output.</p> <p>0: Enables $\overline{\text{TEND}}$ signal output</p> <p>1: Disables $\overline{\text{TEND}}$ signal output</p>
28	—	0	R/W	<p>Reserved</p> <p>This bit is always read as 0. The write value should always be 0.</p>
27	DREQS	0	R/W	<p>$\overline{\text{DREQ}}$ Select</p> <p>Selects whether a low level or the falling edge of the $\overline{\text{DREQ}}$ signal used in external request mode is detected. When a block transfer is performed in external request mode, clear this bit to 0 to select the low level detection.</p> <p>0: Low level detection</p> <p>1: Falling edge detection (the first transfer after a transfer enabled is detected on a low level)</p>
26	NRD	0	R/W	<p>Next Request Delay</p> <p>Selects the accepting timing of the next transfer request.</p> <p>0: Starts accepting the next transfer request after completion of the current transfer</p> <p>1: Starts accepting the next transfer request one cycle after completion of the current transfer</p>
25, 24	—	All 0	R	<p>Reserved</p> <p>These are read-only bits and cannot be modified.</p>
23	ACT	0	R	<p>Active State</p> <p>Indicates the operating state for the channel.</p> <p>0: Waiting for a transfer request or a transfer disabled state by clearing the DTE bit to 0</p> <p>1: Active state</p>
22 to 20	—	All 0	R	<p>Reserved</p> <p>These are read-only bits and cannot be modified.</p>

Bit	Bit Name	Initial Value	R/W	Description
19	ERRF	0	R/(W)*	<p>System Error Flag</p> <p>Indicates that an address error or an NMI interrupt has been generated. This bit is available only in DMDR_0. Setting this bit to 1 prohibits writing to the DTE bit for all the channels. This bit is reserved in DMDR_1 to DMDR_3. It is always read as 0 and cannot be modified.</p> <p>0: An address error or an NMI interrupt has not been generated</p> <p>1: An address error or an NMI interrupt has been generated</p> <p>[Clearing condition]</p> <ul style="list-style-type: none"> When clearing to 0 after reading ERRF = 1 <p>[Setting condition]</p> <ul style="list-style-type: none"> When an address error or an NMI interrupt has been generated <p>However, when an address error or an NMI interrupt has been generated in module stop mode, this bit is not set.</p>
18	—	0	R	<p>Reserved</p> <p>This is a read-only bit and cannot be modified.</p>
17	ESIF	0	R/(W)*	<p>Transfer Escape Interrupt Flag</p> <p>Indicates that a transfer escape end interrupt has been requested. A transfer escape end means that a transfer is terminated before the transfer counter reaches 0.</p> <p>0: A transfer escape end interrupt has not been requested</p> <p>1: A transfer escape end interrupt has been requested</p> <p>[Clearing conditions]</p> <ul style="list-style-type: none"> When setting the DTE bit to 1 When clearing to 0 before reading ESIF = 1 <p>[Setting conditions]</p> <ul style="list-style-type: none"> When a transfer size error interrupt is requested When a repeat size end interrupt is requested When a transfer end interrupt by an extended repeat area overflow is requested

Bit	Bit Name	Initial Value	R/W	Description
16	DTIF	0	R/(W)*	<p>Data Transfer Interrupt Flag</p> <p>Indicates that a transfer end interrupt by the transfer counter has been requested.</p> <p>0: A transfer end interrupt by the transfer counter has not been requested</p> <p>1: A transfer end interrupt by the transfer counter has been requested</p> <p>[Clearing conditions]</p> <ul style="list-style-type: none"> • When setting the DTE bit to 1 • When clearing to 0 after reading DTIF = 1 <p>[Setting condition]</p> <ul style="list-style-type: none"> • When DTCR reaches 0 and the transfer is completed
15	DTSZ1	0	R/W	Data Access Size 1 and 0
14	DTSZ0	0	R/W	<p>Select the data access size for a transfer.</p> <p>00: Byte size (eight bits)</p> <p>01: Word size (16 bits)</p> <p>10: Longword size (32 bits)</p> <p>11: Setting prohibited</p>
13	MDS1	0	R/W	Transfer Mode Select 1 and 0
12	MDS0	0	R/W	<p>Select the transfer mode.</p> <p>00: Normal transfer mode</p> <p>01: Block transfer mode</p> <p>10: Repeat transfer mode</p> <p>11: Setting prohibited</p>

Bit	Bit Name	Initial Value	R/W	Description
11	TSEIE	0	R/W	<p>Transfer Size Error Interrupt Enable</p> <p>Enables/disables a transfer size error interrupt.</p> <p>When the next transfer is requested while this bit is set to 1 and the contents of the transfer counter is less than the size of data to be transferred at a single transfer request, the DTE bit is cleared to 0. At this time, the ESIF bit is set to 1 to indicate that a transfer size error interrupt has been requested.</p> <p>The sources of a transfer size error are as follows:</p> <ul style="list-style-type: none"> • In normal or repeat transfer mode, the total transfer size set in DTCR is less than the data access size • In block transfer mode, the total transfer size set in DTCR is less than the block size <p>0: Disables a transfer size error interrupt request 1: Enables a transfer size error interrupt request</p>
10	—	0	R	<p>Reserved</p> <p>This is a read-only bit and cannot be modified.</p>
9	ESIE	0	R/W	<p>Transfer Escape Interrupt Enable</p> <p>Enables/disables a transfer escape end interrupt request. When the ESIF bit is set to 1 with this bit set to 1, a transfer escape end interrupt is requested to the CPU. The transfer end interrupt request is cleared by clearing this bit or the ESIF bit to 0.</p> <p>0: Disables a transfer escape end interrupt 1: Enables a transfer escape end interrupt</p>
8	DTIE	0	R/W	<p>Data Transfer End Interrupt Enable</p> <p>Enables/disables a transfer end interrupt request by the transfer counter. When the DTIF bit is set to 1 with this bit set to 1, a transfer end interrupt is requested to the CPU. The transfer end interrupt request is cleared by clearing this bit or the DTIF bit to 0.</p> <p>0: Disables a transfer end interrupt 1: Enables a transfer end interrupt</p>

Bit	Bit Name	Initial Value	R/W	Description
7	DTF1	0	R/W	Data Transfer Factor 1 and 0
6	DTF0	0	R/W	<p>Selects a DMAC activation source. When the on-chip peripheral module setting is selected, the interrupt source should be selected by DMRSR. When the external request setting is selected, the sampling method should be selected by the DREQS bit.</p> <p>00: Auto request (cycle stealing) 01: Auto request (burst access) 10: On-chip module interrupt 11: External request</p>
5	DTA	0	R/W	<p>Data Transfer Acknowledge</p> <p>This bit is valid while the DMA transfer is performed by the on-chip module interrupt. This bit decides whether the source flag selected by DMRSR is cleared or not.</p> <p>0: The source flag is not cleared while the DMA transfer is performed by the on-chip module interrupt. Since the source flag is not cleared by the DMA transfer, it should be cleared by the CPU. 1: The source flag is cleared while the DMA transfer is performed by the on-chip module interrupt. Since the source flag is cleared by the DMA transfer, there is no need to request an interrupt to the CPU.</p>
4, 3	—	All 0	R	<p>Reserved</p> <p>These are read-only bits and cannot be modified.</p>

Bit	Bit Name	Initial Value	R/W	Description
2	DMAP2	0	R/W	DMA Priority Level 2 to 0
1	DMAP1	0	R/W	Selects the priority level of the DTC and DMAC. When the CPU has priority over the DMAC, the DMAC masks a transfer request and waits for the timing when the CPU priority becomes lower than the DMAC priority. The priority levels can be set to the individual channels. This bit is valid when the CPUPCE bit in CPUPCR is set to 1. 000: Priority level 0 (low) 001: Priority level 1 010: Priority level 2 011: Priority level 3 100: Priority level 4 101: Priority level 5 110: Priority level 6 111: Priority level 7 (high)
0	DMAP0	0	R/W	

Note: * Only 0 can be written to, to clear the flag.

7.2.7 DMA Address Control Register (DACR)

DACR specifies the operating mode and transfer method.

Bit	31	30	29	28	27	26	25	24
Bit Name	AMS	DIRS	—	—	—	RPTIE	ARS1	ARS0
Initial Value	0	0	0	0	0	0	0	0
R/W	R/W	R/W	R	R	R	R/W	R/W	R/W
Bit	23	22	21	20	19	18	17	16
Bit Name	—	—	SAT1	SAT0	—	—	DAT1	DAT0
Initial Value	0	0	0	0	0	0	0	0
R/W	R	R	R/W	R/W	R	R	R/W	R/W
Bit	15	14	13	12	11	10	9	8
Bit Name	SARIE	—	—	SARA4	SARA3	SARA2	SARA1	SARA0
Initial Value	0	0	0	0	0	0	0	0
R/W	R/W	R	R	R/W	R/W	R/W	R/W	R/W
Bit	7	6	5	4	3	2	1	0
Bit Name	DARIE	—	—	DARA4	DARA3	DARA2	DARA1	DARA0
Initial Value	0	0	0	0	0	0	0	0
R/W	R/W	R	R	R/W	R/W	R/W	R/W	R/W

Bit	Bit Name	Initial Value	R/W	Description
31	AMS	0	R/W	Address Mode Select Selects address mode from single or dual address mode. In single address mode, the $\overline{\text{DACK}}$ pin is enabled according to the DACK bit. 0: Dual address mode 1: Single address mode
30	DIRS	0	R/W	Single Address Direction Select Specifies the data transfer direction in single address mode. This bit is ignored in dual address mode. 0: Specifies DSAR as source address 1: Specifies DDAR as destination address
29 to 27	—	0	R/W	Reserved These are read-only bits and cannot be modified.

Bit	Bit Name	Initial Value	R/W	Description
26	RPTIE	0	R/W	<p>Repeat Size End Interrupt Enable</p> <p>Enables/disables a repeat size end interrupt request.</p> <p>In repeat transfer mode, when the next transfer is requested after completion of a 1-repeat-size data transfer while this bit is set to 1, the DTE bit in DMDR is cleared to 0. At this time, the ESIF bit in DMDR is set to 1 to indicate that a repeat size end interrupt is requested. Even when the repeat area is not specified (ARS1 = 1 and ARS0 = 0), a repeat size end interrupt after a 1-block data transfer can be requested.</p> <p>In addition, in block transfer mode, when the next transfer is requested after 1-block data transfer while this bit is set to 1, the DTE bit in DMDR is cleared to 0. At this time, the ESIF bit in DMDR is set to 1 to indicate that a repeat size end interrupt is requested.</p> <p>0: Disables a repeat size end interrupt 1: Enables a repeat size end interrupt</p>
25	ARS1	0	R/W	Area Select 1 and 0
24	ARS0	0	R/W	<p>Specify the block area or repeat area in block or repeat transfer mode.</p> <p>00: Specify the block area or repeat area on the source address 01: Specify the block area or repeat area on the destination address 10: Do not specify the block area or repeat area 11: Setting prohibited</p>
23, 22	—	All 0	R	<p>Reserved</p> <p>These are read-only bits and cannot be modified.</p>

Bit	Bit Name	Initial Value	R/W	Description
21	SAT1	0	R/W	Source Address Update Mode 1 and 0
20	SAT0	0	R/W	Select the update method of the source address (DSAR). When DSAR is not specified as the transfer source in single address mode, this bit is ignored. 00: Source address is fixed 01: Source address is updated by adding the offset 10: Source address is updated by adding 1, 2, or 4 according to the data access size 11: Source address is updated by subtracting 1, 2, or 4 according to the data access size
19, 18	—	All 0	R	Reserved These are read-only bits and cannot be modified.
17	DAT1	0	R/W	Destination Address Update Mode 1 and 0
16	DAT0	0	R/W	Select the update method of the destination address (DDAR). When DDAR is not specified as the transfer destination in single address mode, this bit is ignored. 00: Destination address is fixed 01: Destination address is updated by adding the offset 10: Destination address is updated by adding 1, 2, or 4 according to the data access size 11: Destination address is updated by subtracting 1, 2, or 4 according to the data access size

Bit	Bit Name	Initial Value	R/W	Description
15	SARIE	0	R/W	<p>Interrupt Enable for Source Address Extended Area Overflow</p> <p>Enables/disables an interrupt request for an extended area overflow on the source address.</p> <p>When an extended repeat area overflow on the source address occurs while this bit is set to 1, the DTE bit in DMDR is cleared to 0. At this time, the ESIF bit in DMDR is set to 1 to indicate an interrupt by an extended repeat area overflow on the source address is requested.</p> <p>When block transfer mode is used with the extended repeat area function, an interrupt is requested after completion of a 1-block size transfer. When setting the DTE bit in DMDR of the channel for which a transfer has been stopped to 1, the transfer is resumed from the state when the transfer is stopped.</p> <p>When the extended repeat area is not specified, this bit is ignored.</p> <p>0: Disables an interrupt request for an extended area overflow on the source address</p> <p>1: Enables an interrupt request for an extended area overflow on the source address</p>
14, 13	—	All 0	R	<p>Reserved</p> <p>These are read-only bits and cannot be modified.</p>

Bit	Bit Name	Initial Value	R/W	Description
12	SARA4	0	R/W	Source Address Extended Repeat Area
11	SARA3	0	R/W	Specify the extended repeat area on the source address (DSAR). With the extended repeat area, the specified lower address bits are updated and the remaining upper address bits are fixed. The extended repeat area size is specified from four bytes to 128 Mbytes in units of byte and a power of 2. When the lower address is overflowed from the extended repeat area by address update, the address becomes the start address and the end address of the area for address addition and subtraction, respectively. When an overflow in the extended repeat area occurs with the SARIE bit set to 1, an interrupt can be requested. Table 7.2 shows the settings and areas of the extended repeat area.
10	SARA2	0	R/W	
9	SARA1	0	R/W	
8	SARA0	0	R/W	
7	DARIE	0	R/W	Destination Address Extended Repeat Area Overflow Interrupt Enable Enables/disables an interrupt request for an extended area overflow on the destination address. When an extended repeat area overflow on the destination address occurs while this bit is set to 1, the DTE bit in DMDR is cleared to 0. At this time, the ESIF bit in DMDR is set to 1 to indicate an interrupt by an extended repeat area overflow on the destination address is requested. When block transfer mode is used with the extended repeat area function, an interrupt is requested after completion of a 1-block size transfer. When setting the DTE bit in DMDR of the channel for which the transfer has been stopped to 1, the transfer is resumed from the state when the transfer is stopped. When the extended repeat area is not specified, this bit is ignored. 0: Disables an interrupt request for an extended area overflow on the destination address 1: Enables an interrupt request for an extended area overflow on the destination address
6, 5	—	All 0	R	Reserved These are read-only bits and cannot be modified.

Bit	Bit Name	Initial Value	R/W	Description
4	DARA4	0	R/W	Destination Address Extended Repeat Area
3	DARA3	0	R/W	<p>Specify the extended repeat area on the destination address (DDAR). With the extended repeat area, the specified lower address bits are updated and the remaining upper address bits are fixed. The extended repeat area size is specified from four bytes to 128 Mbytes in units of byte and a power of 2.</p> <p>When the lower address is overflowed from the extended repeat area by address update, the address becomes the start address and the end address of the area for address addition and subtraction, respectively.</p> <p>When an overflow in the extended repeat area occurs with the DARIE bit set to 1, an interrupt can be requested. Table 7.2 shows the settings and areas of the extended repeat area.</p>
2	DARA2	0	R/W	
1	DARA1	0	R/W	
0	DARA0	0	R/W	

Table 7.2 Settings and Areas of Extended Repeat Area

SARA4 to SARA0 or DARA4 to DARA0	Extended Repeat Area
00000	Not specified
00001	2 bytes specified as extended repeat area by the lower 1 bit of the address
00010	4 bytes specified as extended repeat area by the lower 2 bits of the address
00011	8 bytes specified as extended repeat area by the lower 3 bits of the address
00100	16 bytes specified as extended repeat area by the lower 4 bits of the address
00101	32 bytes specified as extended repeat area by the lower 5 bits of the address
00110	64 bytes specified as extended repeat area by the lower 6 bits of the address
00111	128 bytes specified as extended repeat area by the lower 7 bits of the address
01000	256 bytes specified as extended repeat area by the lower 8 bits of the address
01001	512 bytes specified as extended repeat area by the lower 9 bits of the address
01010	1 kbyte specified as extended repeat area by the lower 10 bits of the address
01011	2 kbytes specified as extended repeat area by the lower 11 bits of the address
01100	4 kbytes specified as extended repeat area by the lower 12 bits of the address
01101	8 kbytes specified as extended repeat area by the lower 13 bits of the address
01110	16 kbytes specified as extended repeat area by the lower 14 bits of the address
01111	32 kbytes specified as extended repeat area by the lower 15 bits of the address
10000	64 kbytes specified as extended repeat area by the lower 16 bits of the address
10001	128 kbytes specified as extended repeat area by the lower 17 bits of the address
10010	256 kbytes specified as extended repeat area by the lower 18 bits of the address
10011	512 kbytes specified as extended repeat area by the lower 19 bits of the address
10100	1 Mbyte specified as extended repeat area by the lower 20 bits of the address
10101	2 Mbytes specified as extended repeat area by the lower 21 bits of the address
10110	4 Mbytes specified as extended repeat area by the lower 22 bits of the address
10111	8 Mbytes specified as extended repeat area by the lower 23 bits of the address
11000	16 Mbytes specified as extended repeat area by the lower 24 bits of the address
11001	32 Mbytes specified as extended repeat area by the lower 25 bits of the address
11010	64 Mbytes specified as extended repeat area by the lower 26 bits of the address
11011	128 Mbytes specified as extended repeat area by the lower 27 bits of the address
111××	Setting prohibited

[Legend]

×: Don't care

7.2.8 DMA Module Request Select Register (DMRSR)

DMRSR is an 8-bit readable/writable register that specifies the on-chip module interrupt source. The vector number of the interrupt source is specified in eight bits. However, 0 is regarded as no interrupt source. For the vector numbers of the interrupt sources, refer to table 7.4.

Bit	7	6	5	4	3	2	1	0
Bit Name								
Initial Value	0	0	0	0	0	0	0	0
R/W	R/W	R/W	R/W	R/W	R/W	R/W	R/W	R/W

7.3 Transfer Modes

Table 7.3 shows the DMAC transfer modes. The transfer modes can be specified to the individual channels.

Table 7.3 Transfer Modes

Address Mode	Transfer mode	Activation Source	Common Function	Address Register	
				Source	Destination
Dual address	<ul style="list-style-type: none"> Normal transfer Repeat transfer Block transfer Repeat or block size = 1 to 65,536 bytes, 1 to 65,536 words, or 1 to 65,536 longwords	<ul style="list-style-type: none"> Auto request (activated by CPU) On-chip module interrupt External request 	<ul style="list-style-type: none"> Total transfer size: 1 to 4 Gbytes or not specified Offset addition Extended repeat area function 	DSAR	DDAR
Single address	<ul style="list-style-type: none"> Instead of specifying the source or destination address registers, data is directly transferred from/to the external device using the $\overline{\text{DACK}}$ pin The same settings as above are available other than address register setting (e.g., above transfer modes can be specified) One transfer can be performed in one bus cycle (the types of transfer modes are the same as those of dual address modes) 			DSAR/ DACK	$\overline{\text{DACK}}$ / DDAR

When the auto request setting is selected as the activation source, the cycle stealing or burst access can be selected. When the total transfer size is not specified (DTCR = H'00000000), the transfer counter is stopped and the transfer is continued without the limitation of the transfer count.

7.4 Operations

7.4.1 Address Modes

(1) Dual Address Mode

In dual address mode, the transfer source address is specified in DSAR and the transfer destination address is specified in DDAR. A transfer at a time is performed in two bus cycles (when the data bus width is less than the data access size or the access address is not aligned with the boundary of the data access size, the number of bus cycles are needed more than two because one bus cycle is divided into multiple bus cycles).

In the first bus cycle, data at the transfer source address is read and in the next cycle, the read data is written to the transfer destination address.

The read and write cycles are not separated. Other bus cycles (bus cycle by other bus masters, refresh cycle, and external bus release cycle) are not generated between read and write cycles.

The $\overline{\text{TEND}}$ signal output is enabled or disabled by the TENDE bit in DMDR. The $\overline{\text{TEND}}$ signal is output in two bus cycles. When an idle cycle is inserted before the bus cycle, the $\overline{\text{TEND}}$ signal is also output in the idle cycle. The $\overline{\text{DACK}}$ signal is not output.

Figure 7.2 shows an example of the signal timing in dual address mode and figure 7.3 shows the operation in dual address mode.

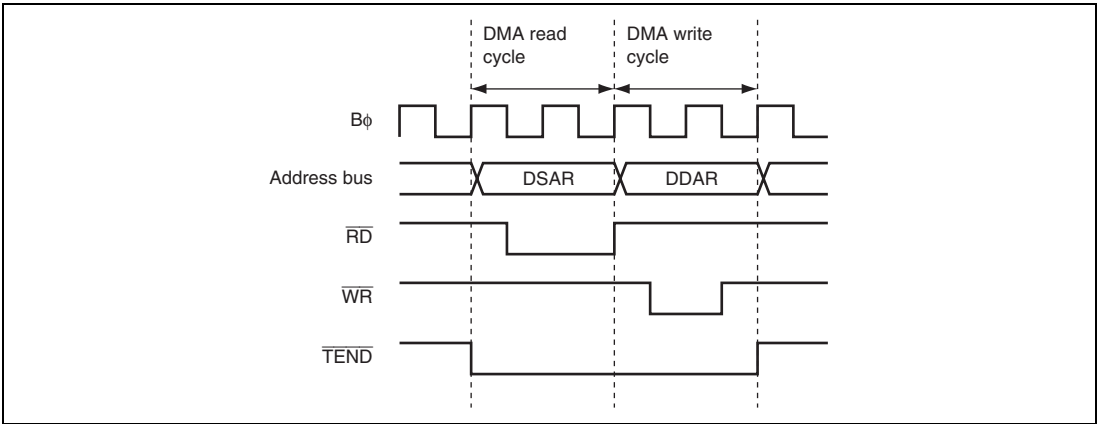


Figure 7.2 Example of Signal Timing in Dual Address Mode

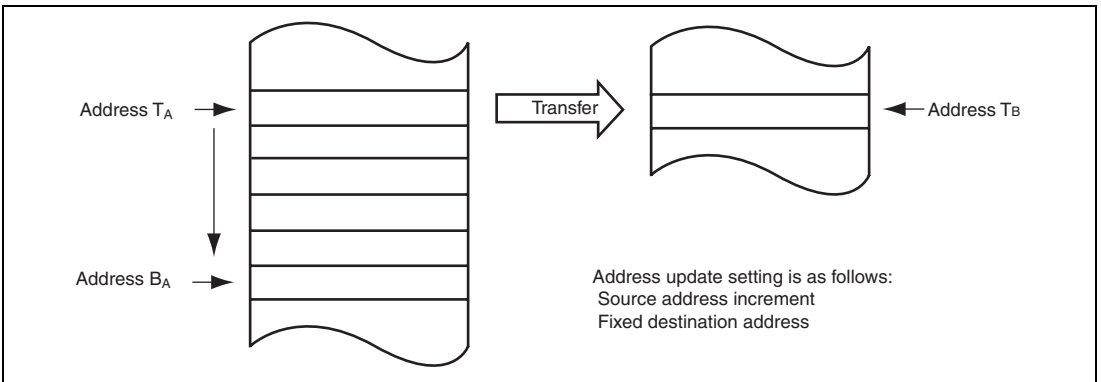


Figure 7.3 Operations in Dual Address Mode

(2) Single Address Mode

In single address mode, data between an external device and an external memory is directly transferred using the $\overline{\text{DACK}}$ pin instead of DSAR or DDAR. A transfer at a time is performed in one bus cycle. In this mode, the data bus width must be the same as the data access size. For details on the data bus width, see section 6, Bus Controller (BSC).

The DMAC accesses an external device as the transfer source or destination by outputting the strobe signal to the external device ($\overline{\text{DACK}}$) and accesses the other transfer target by outputting the address. Accordingly, the DMA transfer is performed in one bus cycle. Figure 7.4 shows an example of a transfer between an external memory and an external device with the $\overline{\text{DACK}}$ pin. In this example, the external device outputs data on the data bus and the data is written to the external memory in the same bus cycle.

The transfer direction is decided by the DIRS bit in DACR which specifies an external device with the $\overline{\text{DACK}}$ pin as the transfer source or destination. When $\text{DIRS} = 0$, data is transferred from an external memory (DSAR) to an external device with the $\overline{\text{DACK}}$ pin. When $\text{DIRS} = 1$, data is transferred from an external device with the $\overline{\text{DACK}}$ pin to an external memory (DDAR). The settings of registers which are not used as the transfer source or destination are ignored.

The $\overline{\text{DACK}}$ signal output is enabled in single address mode by the DACKE bit in DMDR. The $\overline{\text{DACK}}$ signal is low active.

The $\overline{\text{TEND}}$ signal output is enabled or disabled by the TENDE bit in DMDR. The $\overline{\text{TEND}}$ signal is output in one bus cycle. When an idle cycle is inserted before the bus cycle, the $\overline{\text{TEND}}$ signal is also output in the idle cycle.

Figure 7.5 shows an example of timing charts in single address mode and figure 7.6 shows an example of operation in single address mode.

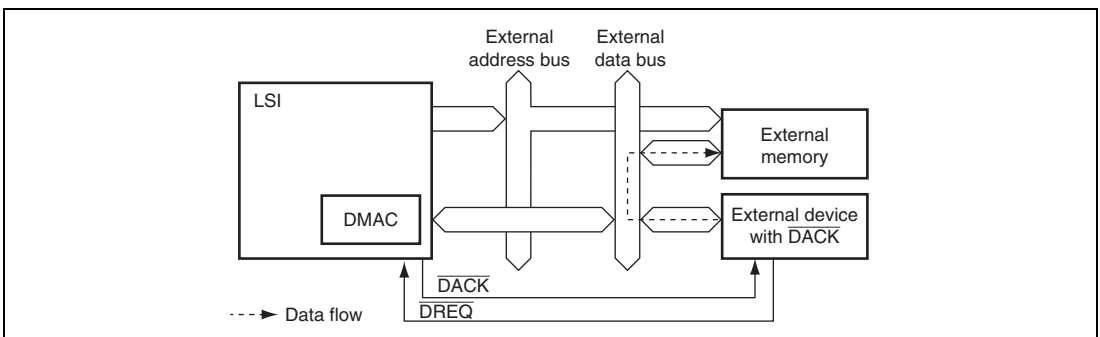


Figure 7.4 Data Flow in Single Address Mode

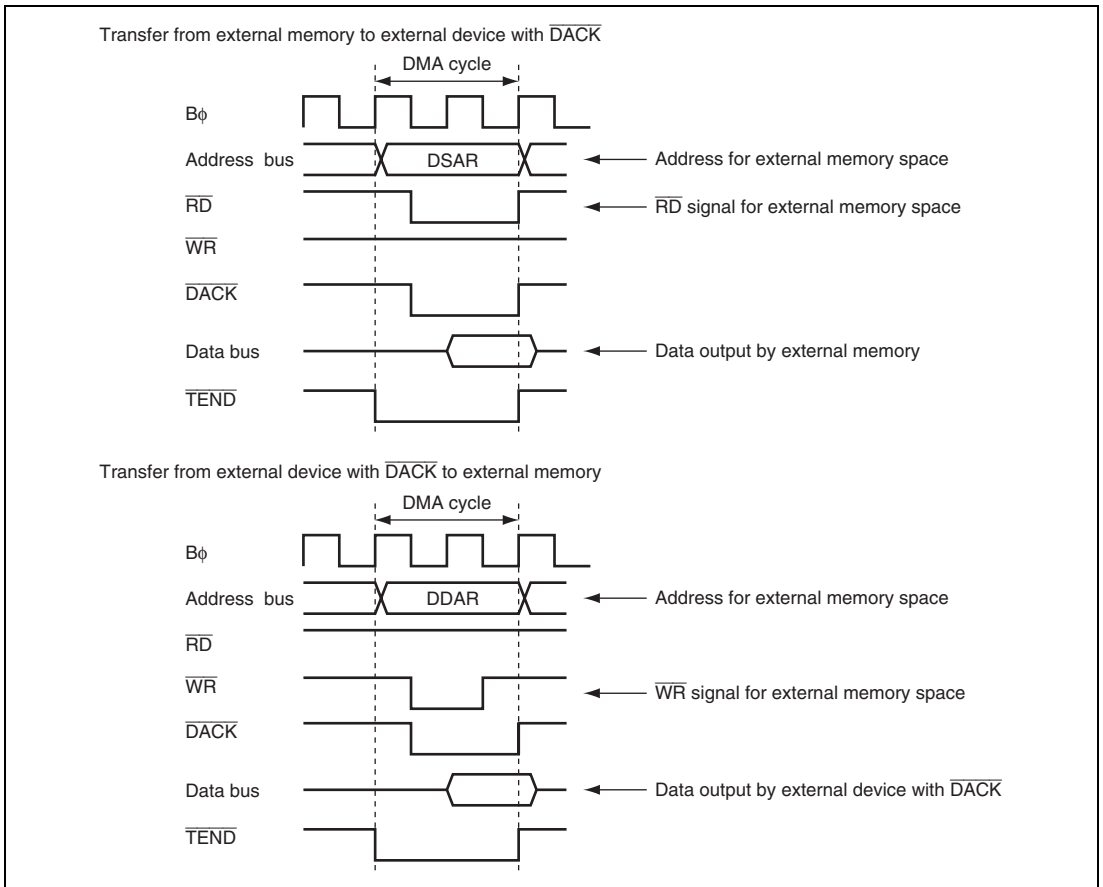


Figure 7.5 Example of Signal Timing in Single Address Mode

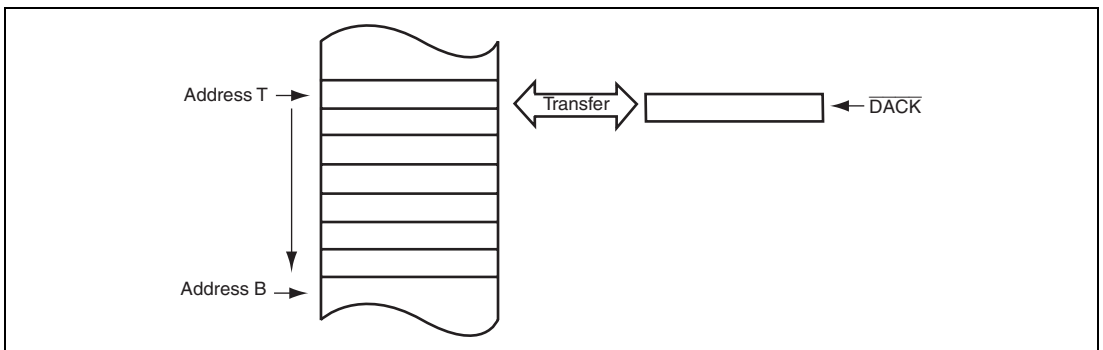


Figure 7.6 Operations in Single Address Mode

7.4.2 Transfer Modes

(1) Normal Transfer Mode

In normal transfer mode, one data access size of data is transferred at a single transfer request. Up to 4 Gbytes can be specified as a total transfer size by DTCR. DBSR is ignored in normal transfer mode.

The \overline{TEND} signal is output only in the last DMA transfer.

Figure 7.7 shows an example of the signal timing in normal transfer mode and figure 7.8 shows the operation in normal transfer mode.

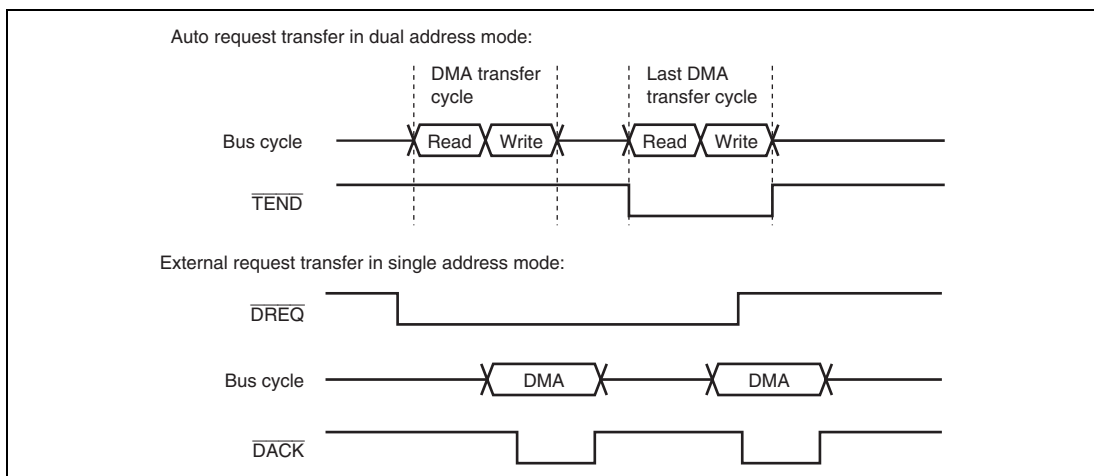


Figure 7.7 Example of Signal Timing in Normal Transfer Mode

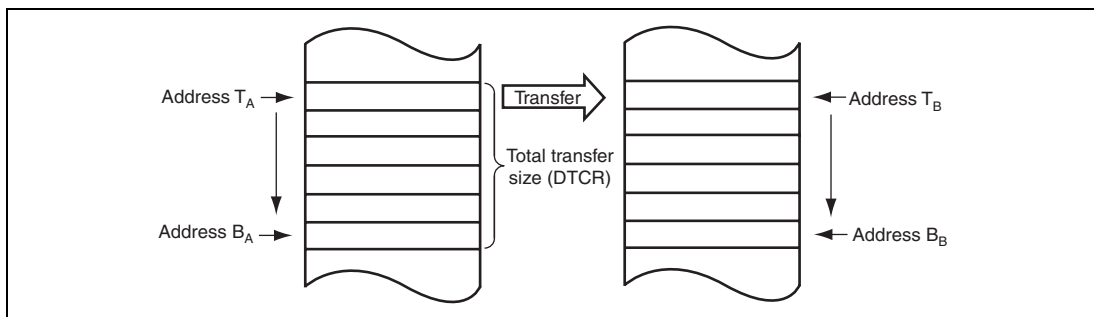


Figure 7.8 Operations in Normal Transfer Mode

(2) Repeat Transfer Mode

In repeat transfer mode, one data access size of data is transferred at a single transfer request. Up to 4 Gbytes can be specified as a total transfer size by DTCR. The repeat size can be specified in DBSR up to $65536 \times$ data access size.

The repeat area can be specified for the source or destination address side by bits ARS1 and ARS0 in DACR. The address specified as the repeat area returns to the transfer start address when the repeat size of transfers is completed. This operation is repeated until the total transfer size specified in DTCR is completed. When H'00000000 is specified in DTCR, it is regarded as the free running mode and repeat transfer is continued until the DTE bit in DMDR is cleared to 0.

In addition, a DMA transfer can be stopped and a repeat size end interrupt can be requested to the CPU or DTC when the repeat size of transfers is completed. When the next transfer is requested after completion of a 1-repeat size data transfer while the RPTIE bit is set to 1, the DTE bit in DMDR is cleared to 0 and the ESIF bit in DMDR is set to 1 to complete the transfer. At this time, an interrupt is requested to the CPU or DTC when the ESIE bit in DMDR is set to 1.

The timing of the \overline{TEND} signal is the same as in normal transfer mode.

Figure 7.9 shows the operation in repeat transfer mode while dual address mode is set.

When the repeat area is specified as neither source nor destination address side, the operation is the same as the normal transfer mode operation shown in figure 7.8. In this case, a repeat size end interrupt can also be requested to the CPU when the repeat size of transfers is completed.

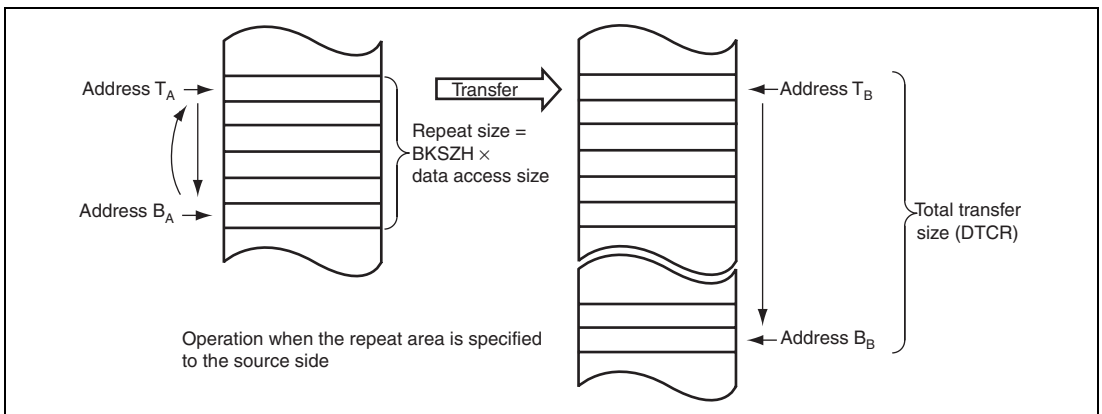


Figure 7.9 Operations in Repeat Transfer Mode

(3) Block Transfer Mode

In block transfer mode, one block size of data is transferred at a single transfer request. Up to 4 Gbytes can be specified as total transfer size by DTCR. The block size can be specified in DBSR up to $65536 \times$ data access size.

While one block of data is being transferred, transfer requests from other channels are suspended. When the transfer is completed, the bus is released to the other bus master.

The block area can be specified for the source or destination address side by bits ARS1 and ARS0 in DACR. The address specified as the block area returns to the transfer start address when the block size of data is completed. When the block area is specified as neither source nor destination address side, the operation continues without returning the address to the transfer start address. A repeat size end interrupt can be requested.

The $\overline{\text{TEND}}$ signal is output every time 1-block data is transferred in the last DMA transfer cycle. When the external request is selected as an activation source, the low level detection of the $\overline{\text{DREQ}}$ signal ($\text{DREQS} = 0$) should be selected.

When an interrupt request by an extended repeat area overflow is used in block transfer mode, settings should be selected carefully. For details, see section 7.4.5, Extended Repeat Area Function.

Figure 7.10 shows an example of the DMA transfer timing in block transfer mode. The transfer conditions are as follows:

- Address mode: single address mode
- Data access size: byte
- 1-block size: three bytes

The block transfer mode operations in single address mode and in dual address mode are shown in figures 7.11 and 7.12, respectively.

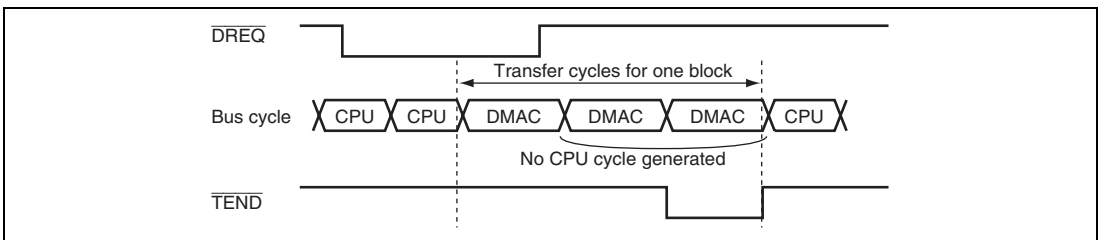


Figure 7.10 Operations in Block Transfer Mode

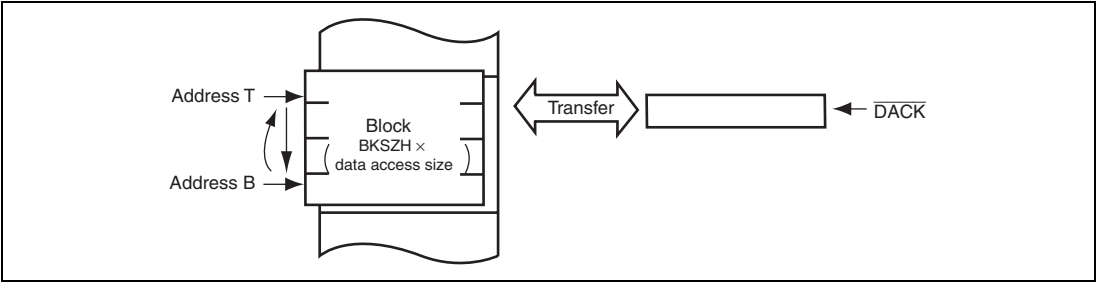


Figure 7.11 Operation in Single Address Mode in Block Transfer Mode (Block Area Specified)

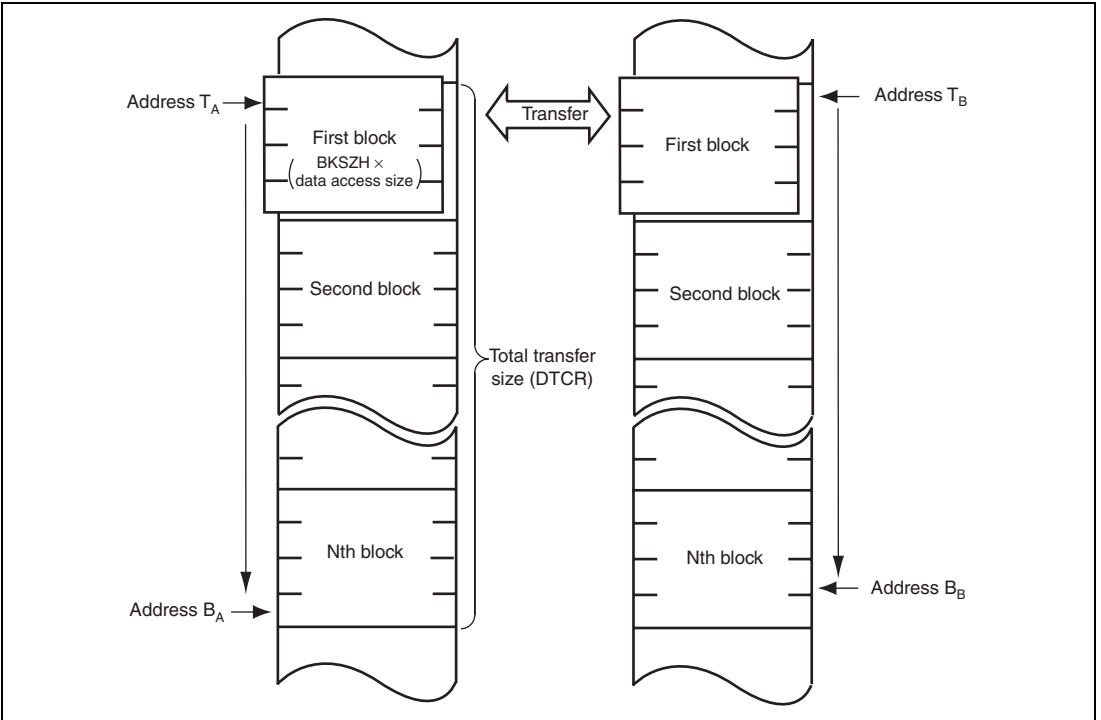


Figure 7.12 Operation in Dual Address Mode in Block Transfer Mode (Block Area Not Specified)

7.4.3 Activation Sources

The DMAC is activated by an auto request, an on-chip module interrupt, and an external request. The activation source is specified by bits DTF1 and DTF0 in DMDR.

(1) Activation by Auto Request

The auto request activation is used when a transfer request from an external device or an on-chip peripheral module is not generated such as a transfer between memory and memory or between memory and an on-chip peripheral module which does not request a transfer. A transfer request is automatically generated inside the DMAC. In auto request activation, setting the DTE bit in DMDR starts a transfer. The bus mode can be selected from cycle stealing and burst modes.

(2) Activation by On-Chip Module Interrupt

An interrupt request from an on-chip peripheral module (on-chip peripheral module interrupt) is used as a transfer request. When a DMA transfer is enabled ($DTE = 1$), the DMA transfer is started by an on-chip module interrupt.

The activation source of the on-chip module interrupt is selected by the DMA module request select register (DMRSR). The activation sources are specified to the individual channels. Table 7.4 is a list of on-chip module interrupts for the DMAC.

The interrupt request selected as an activation source can simultaneously generate interrupt requests to the CPU. For details, see section 5, Interrupt Controller.

The DMAC receives interrupt requests by on-chip peripheral modules independent of the interrupt controller. Therefore, the DMAC is not affected by priority given in the interrupt controller.

When the DMAC is activated with $DTA = 1$, the interrupt request flag is automatically cleared by a DMA transfer. If multiple channels use a single transfer request as an activation source, when the channel having priority is activated, the interrupt request flag is cleared. In this case, other channels may not be activated because the transfer request is not held in the DMAC.

When the DMAC is activated with $DTA = 0$, the interrupt request flag is not cleared by the DMAC. Thus it should be cleared by the CPU or a DTC transfer.

When an activation source is selected while $DTE = 0$, the activation source does not request a transfer to the DMAC. It requests an interrupt to the CPU or DTC.

In addition, make sure that an interrupt request flag as an on-chip module interrupt source is cleared to 0 before writing 1 to the DTE bit.

Table 7.4 List of On-chip module interrupts to DMAC

On-Chip Module Interrupt Source	On-Chip Module	DMRSR (Vector Number)
ADI0 (A/D conversion end interrupt)	A/D_0	86
ADI1 (A/D conversion end interrupt)	A/D_1	87
TGI0A (TGI0A input capture/compare match)	TPU_0	88
TGI1A (TGI1A input capture/compare match)	TPU_1	93
TGI2A (TGI2A input capture/compare match)	TPU_2	97
TGI3A (TGI3A input capture/compare match)	TPU_3	101
RX13 (receive data full interrupt for SCI channel 3)	SCI_3	157
TX13 (transmit data empty interrupt for SCI channel 3)	SCI_3	158
RX14 (receive data full interrupt for SCI channel 4)	SCI_4	161
TX14 (transmit data empty interrupt for SCI channel 4)	SCI_4	162
TGI6A (TGI6A input capture/compare match)	TPU_6	164
TGI7A (TGI7A input capture/compare match)	TPU_7	169
TGI8A (TGI8A input capture/compare match)	TPU_8	173
TGI9A (TGI9A input capture/compare match)	TPU_9	177
TGI10A (TGI10A input capture/compare match)	TPU_10	182
TGI11A (TGI11A input capture/compare match)	TPU_11	188
SSRX10 (receive data full interrupt for SSU channel 0)	SSU_0	228
SSTX10 (transmit data empty interrupt or transmit end for SSU channel 0)	SSU_0	229
SSRX11 (receive data full interrupt for SSU channel 1)	SSU_1	232
SSTX11 (transmit data empty interrupt or transmit end for SSU channel 1)	SSU_1	233
SSRX12 (receive data full interrupt for SSU channel 2)	SSU_2	236
SSTX12 (transmit data empty interrupt or transmit end for SSU channel 2)	SSU_2	237

(3) Activation by External Request

A transfer is started by a transfer request signal ($\overline{\text{DREQ}}$) from an external device. When a DMA transfer is enabled ($\text{DTE} = 1$), the DMA transfer is started by the $\overline{\text{DREQ}}$ assertion.

A transfer request signal is input to the $\overline{\text{DREQ}}$ pin. The $\overline{\text{DREQ}}$ signal is detected on the falling edge or low level. Whether the falling edge or low level detection is used is selected by the DREQS bit in DMDR . To perform a block transfer, select the low level detection.

When an external request is selected as an activation source, clear the DDR bit to 0 and set the ICR bit to 1 for the corresponding pin. For details, see section 9, I/O Ports.

When a DMA transfer between on-chip peripheral modules is performed, select an activation source from the auto request and on-chip module interrupt (the external request cannot be used).

7.4.4 Bus Access Modes

There are two types of bus access modes: cycle stealing and burst.

When an activation source is the auto request, the cycle stealing or burst mode is selected by bit DTF0 in DMDR . When an activation source is the on-chip module interrupt or external request, the cycle stealing mode is selected.

(1) Cycle Stealing Mode

In cycle stealing mode, the DMAC releases the bus every time one unit of transfers (byte, word, longword, or 1-block size) is completed. After that, when a transfer is requested, the DMAC obtains the bus to transfer 1-unit data and then releases the bus on completion of the transfer. This operation is continued until the transfer end condition is satisfied.

When a transfer is requested to another channel during a DMA transfer, the DMAC releases the bus and then transfers data for the requested channel. For details on operations when a transfer is requested to multiple channels, see section 7.4.8, Priority of Channels.

Figure 7.13 shows an example of timing in cycle stealing mode. The transfer conditions are as follows:

- Address mode: Single address mode
- Sampling method of the $\overline{\text{DREQ}}$ signal: Low level detection

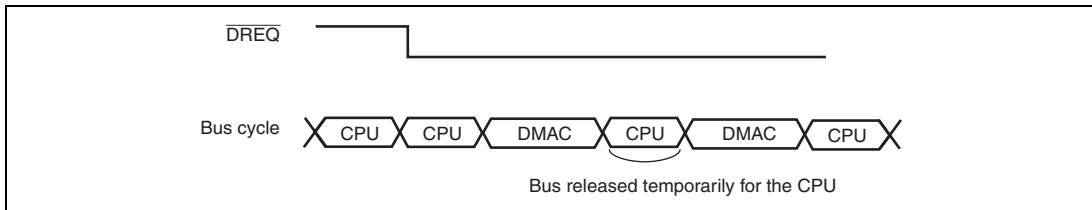


Figure 7.13 Example of Timing in Cycle Stealing Mode

(2) Burst Access Mode

In burst mode, once it takes the bus, the DMAC continues a transfer without releasing the bus until the transfer end condition is satisfied. Even if a transfer is requested from another channel having priority, the transfer is not stopped once it is started. The DMAC releases the bus in the next cycle after the transfer for the channel in burst mode is completed. This is similarly to operation in cycle stealing mode. However, setting the IBCCS bit in IBCR of the bus controller makes the DMAC release the bus to pass the bus to another bus master.

In block transfer mode, the burst mode setting is ignored (operation is the same as that in burst mode during one block of transfers). The DMAC is always operated in cycle stealing mode.

Clearing the DTE bit in DMDR stops a DMA transfer. A transfer requested before the DTE bit is cleared to 0 by the DMAC is executed. When an interrupt by a transfer size error, a repeat size end, or an extended repeat area overflow occurs, the DTE bit is cleared to 0 and the transfer ends.

Figure 7.14 shows an example of timing in burst mode.

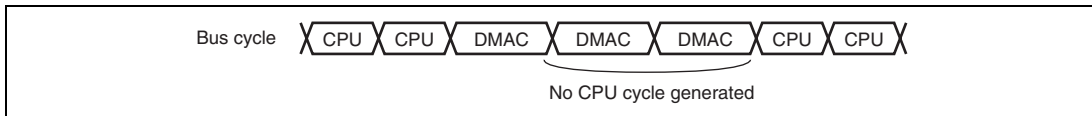


Figure 7.14 Example of Timing in Burst Mode

7.4.5 Extended Repeat Area Function

The source and destination address sides can be specified as the extended repeat area. The contents of the address register repeat addresses within the area specified as the extended repeat area. For example, to use a ring buffer as the transfer target, the contents of the address register should return to the start address of the buffer every time the contents reach the end address of the buffer (overflow on the ring buffer address). This operation can automatically be performed using the extended repeat area function of the DMAC.

The extended repeat areas can be specified independently to the source address register (DSAR) and destination address register (DDAR).

The extended repeat area on the source address is specified by bits SARA4 to SARA0 in DACR. The extended repeat area on the destination address is specified by bits DARA4 to DARA0 in DACR. The extended repeat area sizes for each side can be specified independently.

A DMA transfer is stopped and an interrupt by an extended repeat area overflow can be requested to the CPU when the contents of the address register reach the end address of the extended repeat area. When an overflow on the extended repeat area set in DSAR occurs while the SARIE bit in DACR is set to 1, the ESIF bit in DMDR is set to 1 and the DTE bit in DMDR is cleared to 0 to stop the transfer. At this time, if the ESIE bit in DMDR is set to 1, an interrupt by an extended repeat area overflow is requested to the CPU. When the DARIE bit in DACR is set to 1, an overflow on the extended repeat area set in DDAR occurs, meaning that the destination side is a target. During the interrupt handling, setting the DTE bit in DMDR resumes the transfer.

Figure 7.15 shows an example of the extended repeat area operation.

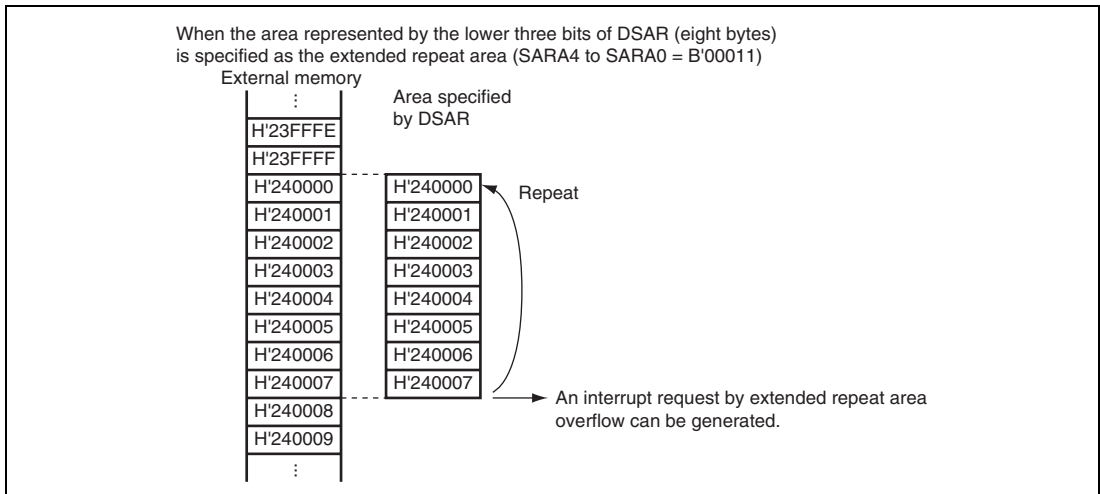


Figure 7.15 Example of Extended Repeat Area Operation

When an interrupt by an extended repeat area overflow is used in block transfer mode, the following should be taken into consideration.

When a transfer is stopped by an interrupt by an extended repeat area overflow, the address register must be set so that the block size is a power of 2 or the block size boundary is aligned with the extended repeat area boundary. When an overflow on the extended repeat area occurs during a transfer of one block, the interrupt by the overflow is suspended and the transfer overruns.

Figure 7.16 shows examples when the extended repeat area function is used in block transfer mode.

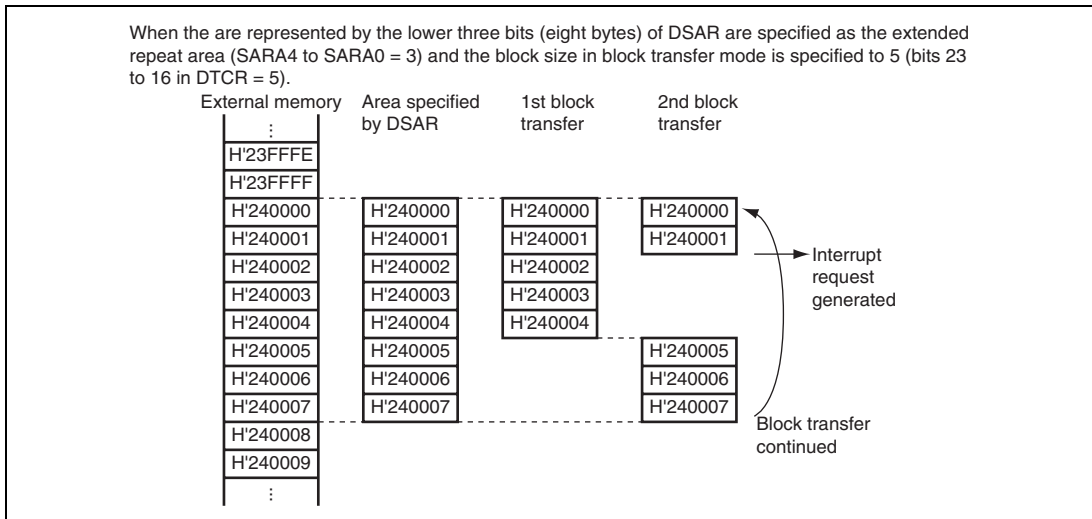


Figure 7.16 Example of Extended Repeat Area Function in Block Transfer Mode

7.4.6 Address Update Function using Offset

The source and destination addresses are updated by fixing, increment/decrement by 1, 2, or 4, or offset addition. When the offset addition is selected, the offset specified by the offset register (DOFR) is added to the address every time the DMAC transfers the data access size of data. This function realizes a data transfer where addresses are allocated to separated areas.

Figure 7.17 shows the address update method.

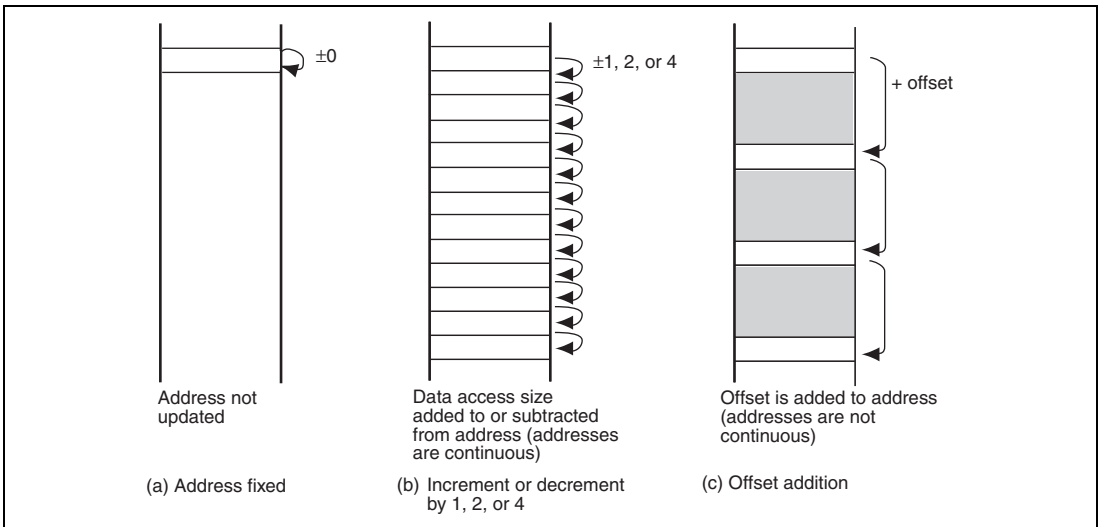


Figure 7.17 Address Update Method

In item (a), Address fixed, the transfer source or destination address is not updated indicating the same address.

In item (b), Increment or decrement by 1, 2, or 4, the transfer source or destination address is incremented or decremented by the value according to the data access size at each transfer. Byte, word, or longword can be specified as the data access size. The value of 1 for byte, 2 for word, and 4 for longword is used for updating the address. This operation realizes the data transfer placed in consecutive areas.

In item (c), Offset addition, the address update does not depend on the data access size. The offset specified by DOFR is added to the address every time the DMAC transfers data of the data access size.

The address is calculated by the offset set in DOFR and the contents of DSAR and DDAR. Although the DMAC calculates only addition, an offset subtraction can be realized by setting the negative value in DOFR. In this case, the negative value must be 2's complement.

(1) Basic Transfer Using Offset

Figure 7.18 shows a basic operation of a transfer using the offset addition.

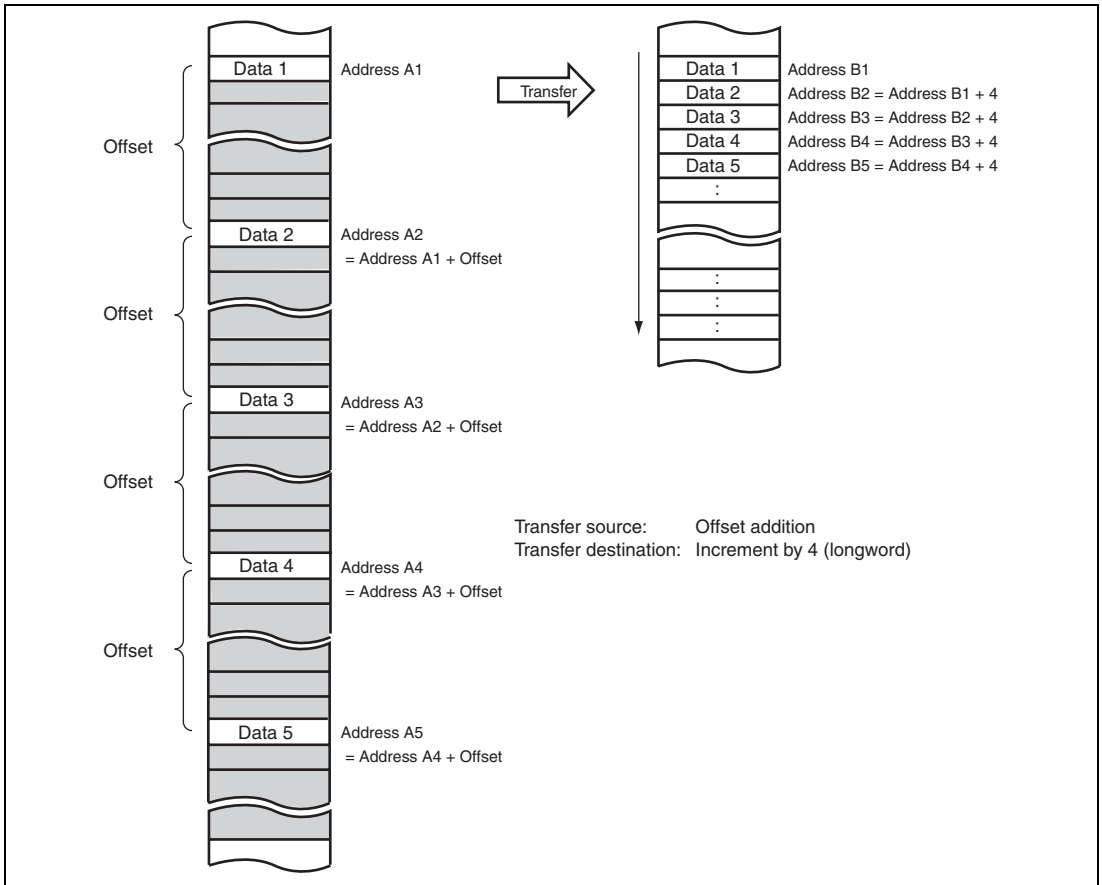


Figure 7.18 Operation of Offset Addition

In figure 7.18, the offset addition is selected as the transfer source address update and increment or decrement by 1, 2, or 4 is selected as the transfer destination address. The address update means that data at the address which is away from the previous transfer source address by the offset is read from. The data read from the address away from the previous address is written to the consecutive area in the destination side.

(2) XY Conversion Using Offset

Figure 7.19 shows the XY conversion using the offset addition in repeat transfer mode.

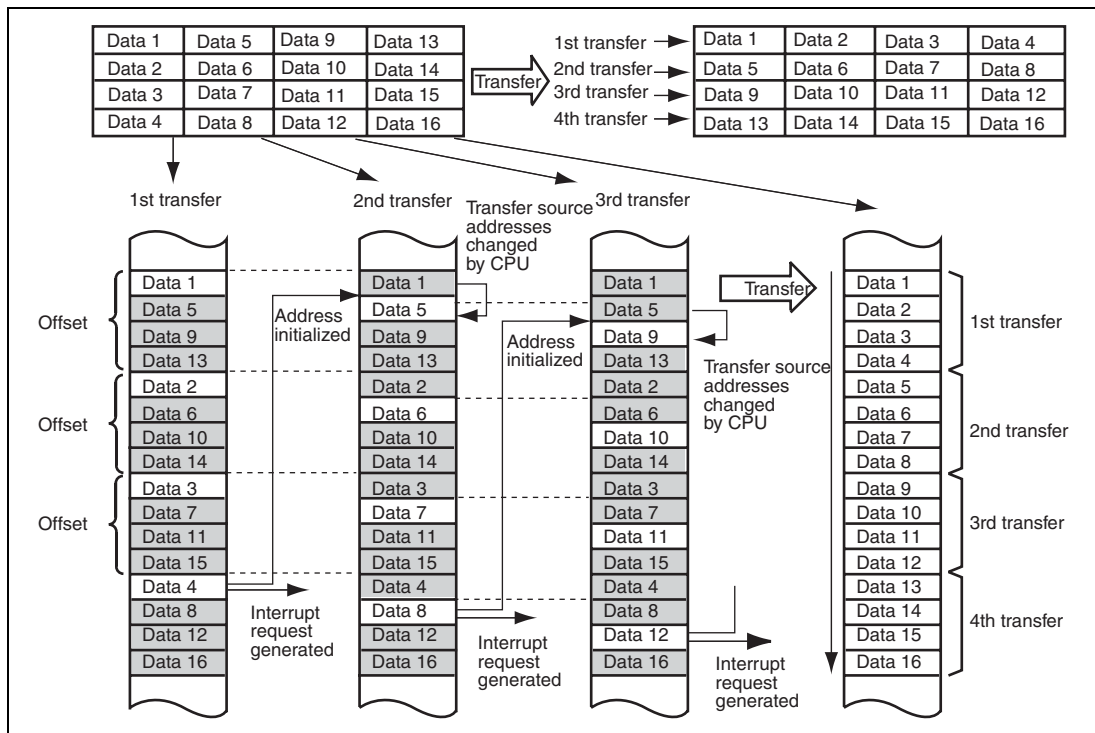


Figure 7.19 XY Conversion Operation Using Offset Addition in Repeat Transfer Mode

In figure 7.19, the source address side is specified to the repeat area by DACR and the offset addition is selected. The offset value is set to $4 \times$ data access size (when the data access size is longword, H'00000010 is set in DOFR, as an example). The repeat size is set to $4 \times$ data access size (when the data access size is longword, the repeat size is set to $4 \times 4 = 16$ bytes, as an example). The increment or decrement by 1, 2, or 4 is specified as the transfer destination address. A repeat size end interrupt is requested when the repeat size of transfers is completed.

When a transfer starts, the transfer source address is added to the offset every time data is transferred. The transfer data is written to the destination continuous addresses. When data 4 is transferred meaning that the repeat size of transfers is completed, the transfer source address returns to the transfer start address (address of data 1 on the transfer source) and a repeat size end interrupt is requested. While this interrupt stops the transfer temporarily, the contents of DSAR are written to the address of data 5 by the CPU (when the data access size is longword, write the data 1 address + 4). When the DTE bit in DMDR is set to 1, the transfer is resumed from the state when the transfer is stopped. Accordingly, operations are repeated and the transfer source data is transposed to the destination area (XY conversion).

Figure 7.20 shows a flowchart of the XY conversion.

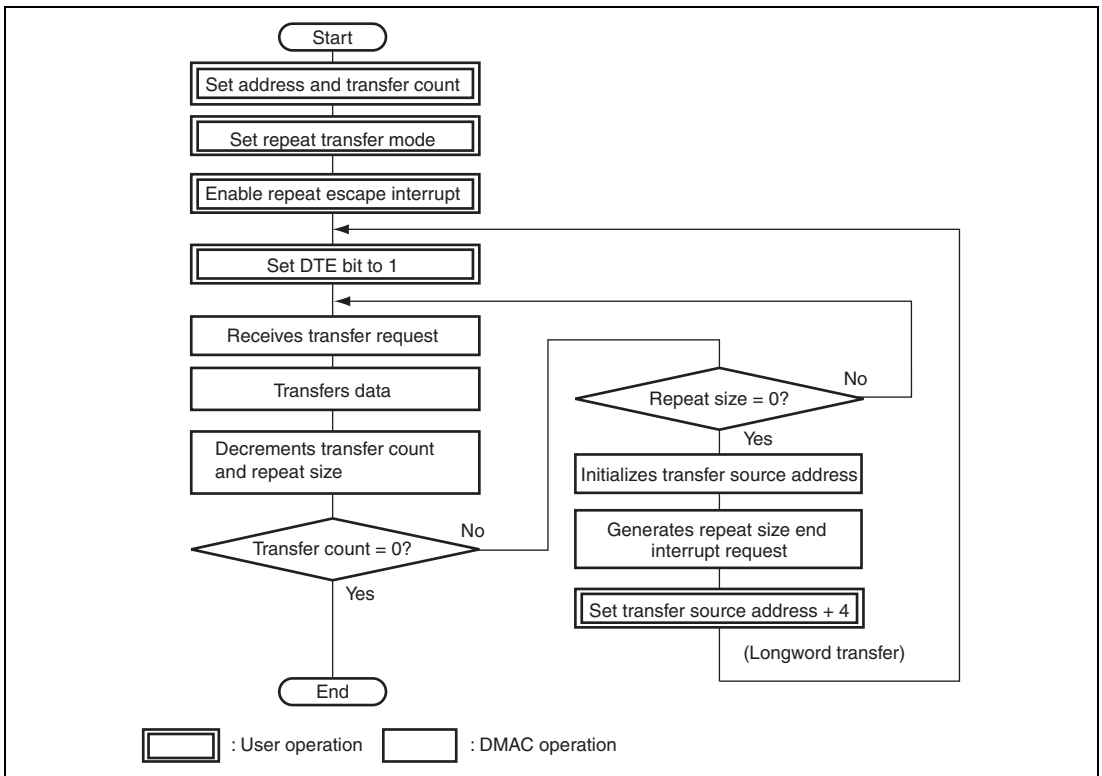


Figure 7.20 XY Conversion Flowchart Using Offset Addition in Repeat Transfer Mode

(3) Offset Subtraction

When setting the negative value in DOFR, the offset value must be 2's complement. The 2's complement is obtained by the following formula.

2's complement of offset = 1 + ~offset (~: bit inversion)

Example: 2's complement of H'0001FFFF
 = H'FFFE0000 + H'00000001
 = H'FFFE0001

The value of 2's complement can be obtained by the NEG.L instruction.

7.4.7 Register during DMA Transfer

The DMAC registers are updated by a DMA transfer. The value to be updated differs according to the other settings and transfer state. The registers to be updated are DSAR, DDAR, DTCR, bits BKSZH and BKSZ in DBSR, and the DTE, ACT, ERRF, ESIF, and DTIF bits in DMDR.

(1) DMA Source Address Register

When the transfer source address set in DSAR is accessed, the contents of DSAR are output and then are updated to the next address.

The increment or decrement can be specified by bits SAT1 and SAT0 in DACR. When SAT1 and SAT0 = B'00, the address is fixed. When SAT1 and SAT0 = B'01, the address is added with the offset. When SAT1 and SAT0 = B'10, the address is incremented. When SAT1 and SAT0 = B'11, the address is decremented. The size of increment or decrement depends on the data access size.

The data access size is specified by bits DTSZ1 and DTSZ0 in DMDR. When DTSZ1 and DTSZ0 = B'00, the data access size is byte and the address is incremented or decremented by 1. When DTSZ1 and DTSZ0 = B'01, the data access size is word and the address is incremented or decremented by 2. When DTSZ1 and DTSZ0 = B'10, the data access size is longword and the address is incremented or decremented by 4. Even if the access data size of the source address is word or longword, when the source address is not aligned with the word or longword boundary, the read bus cycle is divided into byte or word cycles. While data of one word or one longword is being read, the size of increment or decrement is changing according to the actual data access size, for example, +1 or +2 for byte or word data. After one word or one longword of data is read, the address when the read cycle is started is incremented or decremented by the value according to bits SAT1 and SAT0.

In block or repeat transfer mode, when the block or repeat size of data transfers is completed while the block or repeat area is specified to the source address side, the source address returns to the transfer start address and is not affected by the address update.

When the extended repeat area is specified to the source address side, operation follows the setting. The upper address bits are fixed and is not affected by the address update.

While data is being transferred, DSAR must be accessed in longwords. If the upper word and lower word are read separately, incorrect data may be read from since the contents of DSAR during the transfer may be updated regardless of the access by the CPU. Moreover, DSAR for the channel being transferred must not be written to.

(2) DMA Destination Address Register

When the transfer destination address set in DDAR is accessed, the contents of DDAR are output and then are updated to the next address.

The increment or decrement can be specified by bits DAT1 and DAT0 in DACR. When DAT1 and DAT0 = B'00, the address is fixed. When DAT1 and DAT0 = B'01, the address is added with the offset. When DAT1 and DAT0 = B'10, the address is incremented. When DAT1 and DAT0 = B'11, the address is decremented. The incrementing or decrementing size depends on the data access size.

The data access size is specified by bits DTSZ1 and DTSZ0 in DMDR. When DTSZ1 and DTSZ0 = B'00, the data access size is byte and the address is incremented or decremented by 1. When DTSZ1 and DTSZ0 = B'01, the data access size is word and the address is incremented or decremented by 2. When DTSZ1 and DTSZ0 = B'10, the data access size is longword and the address is incremented or decremented by 4. Even if the access data size of the destination address is word or longword, when the destination address is not aligned with the word or longword boundary, the write bus cycle is divided into byte and word cycles. While one word or one longword of data is being written, the incrementing or decrementing size is changing according to the actual data access size, for example, +1 or +2 for byte or word data. After the one word or one longword of data is written, the address when the write cycle is started is incremented or decremented by the value according to bits SAT1 and SAT0.

In block or repeat transfer mode, when the block or repeat size of data transfers is completed while the block or repeat area is specified to the destination address side, the destination address returns to the transfer start address and is not affected by the address update.

When the extended repeat area is specified to the destination address side, operation follows the setting. The upper address bits are fixed and is not affected by the address update.

While data is being transferred, DDAR must be accessed in longwords. If the upper word and lower word are read separately, incorrect data may be read from since the contents of DDAR during the transfer may be updated regardless of the access by the CPU. Moreover, DDAR for the channel being transferred must not be written to.

(3) DMA Transfer Count Register (DTCR)

A DMA transfer decrements the contents of DTCR by the transferred bytes. When byte data is transferred, DTCR is decremented by 1. When word data is transferred, DTCR is decremented by 2. When longword data is transferred, DTCR is decremented by 4. However, when DTCR = 0, the contents of DTCR are not changed since the number of transfers is not counted.

While data is being transferred, all the bits of DTCR may be changed. DTCR must be accessed in longwords. If the upper word and lower word are read separately, incorrect data may be read from since the contents of DTCR during the transfer may be updated regardless of the access by the CPU. Moreover, DTCR for the channel being transferred must not be written to.

When a conflict occurs between the address update by DMA transfer and write access by the CPU, the CPU has priority. When a conflict occurs between change from 1, 2, or 4 to 0 in DTCR and write access by the CPU (other than 0), the CPU has priority in writing to DTCR. However, the transfer is stopped.

(4) DMA Block Size Register (DBSR)

DBSR is enabled in block or repeat transfer mode. Bits 31 to 16 in DBSR function as BKSZH and bits 15 to 0 in DBSR function as BKSZ. The BKSZH bits (16 bits) store the block size and repeat size and its value is not changed. The BKSZ bits (16 bits) function as a counter for the block size and repeat size and its value is decremented every transfer by 1. When the BKSZ value is to change from 1 to 0 by a DMA transfer, 0 is not stored but the BKSZH value is loaded into the BKSZ bits.

Since the upper 16 bits of DBSR are not updated, DBSR can be accessed in words.

DBSR for the channel being transferred must not be written to.

(5) DTE Bit in DMDR

Although the DTE bit in DMDR enables or disables data transfer by the CPU write access, it is automatically cleared to 0 according to the DMA transfer state by the DMAC.

The conditions for clearing the DTE bit by the DMAC are as follows:

- When the total size of transfers is completed
- When a transfer is completed by a transfer size error interrupt
- When a transfer is completed by a repeat size end interrupt
- When a transfer is completed by an extended repeat area overflow interrupt
- When a transfer is stopped by an NMI interrupt
- When a transfer is stopped by an address error
- Reset state
- Hardware standby mode
- When a transfer is stopped by writing 0 to the DTE bit

Writing to the registers for the channels when the corresponding DTE bit is set to 1 is prohibited (except for the DTE bit). When changing the register settings after writing 0 to the DTE bit, confirm that the DTE bit has been cleared to 0.

Figure 7.21 show the procedure for changing the register settings for the channel being transferred.

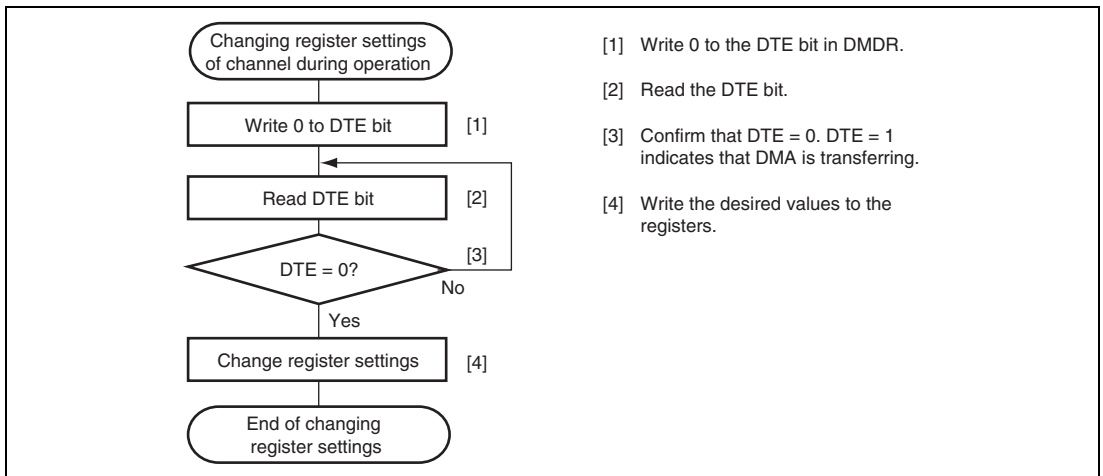


Figure 7.21 Procedure for Changing Register Setting For Channel being Transferred

(6) ACT Bit in DMDR

The ACT bit in DMDR indicates whether the DMAC is in the idle or active state. When $DTE = 0$ or $DTE = 1$ and the DMAC is waiting for a transfer request, the ACT bit is 0. Otherwise (the DMAC is in the active state), the ACT bit is 1. When individual transfers are stopped by writing 0 and the transfer is not completed, the ACT bit retains 1.

In block transfer mode, even if individual transfers are stopped by writing 0 to the DTE bit, the 1-block size of transfers is not stopped. The ACT bit retains 1 from writing 0 to the DTE bit to completion of a 1-block size transfer.

In burst mode, up to three times of DMA transfer are performed from the cycle in which the DTE bit is written to 0. The ACT bit retains 1 from writing 0 to the DTE bit to completion of DMA transfer.

(7) ERRF Bit in DMDR

When an address error or an NMI interrupt occur, the DMAC clears the DTE bits for all the channels to stop a transfer. In addition, it sets the ERRF bit in DMDR_0 to 1 to indicate that an address error or an NMI interrupt has occurred regardless of whether or not the DMAC is in operation.

(8) ESIF Bit in DMDR

When an interrupt by a transfer size error, a repeat size end, or an extended repeat area overflow is requested, the ESIF bit in DMDR is set to 1. When both the ESIF and ESIE bits are set to 1, a transfer escape interrupt is requested to the CPU or DTC.

The ESIF bit is set to 1 when the ACT bit in DMDR is cleared to 0 to stop a transfer after the bus cycle of the interrupt source is completed.

The ESIF bit is automatically cleared to 0 and a transfer request is cleared if the transfer is resumed by setting the DTE bit to 1 during interrupt handling.

For details on interrupts, see section 7.7, Interrupt Sources.

(9) DTIF Bit in DMDR

The DTIF bit in DMDR is set to 1 after the total transfer size of transfers is completed. When both the DTIF and DTIE bits in DMDR are set to 1, a transfer end interrupt by the transfer counter is requested to the CPU or DTC.

The DTIF bit is set to 1 when the ACT bit in DMDR is cleared to 0 to stop a transfer after the bus cycle is completed.


The DTIF bit is automatically cleared to 0 and a transfer request is cleared if the transfer is resumed by setting the DTE bit to 1 during interrupt handling.

For details on interrupts, see section 7.7, Interrupt Sources.

7.4.8 Priority of Channels

The channels of the DMAC are given following priority levels: channel 0 > channel 1 > channel 2 > channel 3. Table 7.5 shows the priority levels among the DMAC channels.

Table 7.5 Priority among DMAC Channels

Channel	Priority
Channel 0	High
Channel 1	
Channel 2	
Channel 3	

The channel having highest priority other than the channel being transferred is selected when a transfer is requested from other channels. The selected channel starts the transfer after the channel being transferred releases the bus. At this time, when a bus master other than the DMAC requests the bus, the cycle for the bus master is inserted.

In a burst transfer or a block transfer, channels are not switched.

Figure 7.22 shows a transfer example when multiple transfer requests from channels 0 to 2.

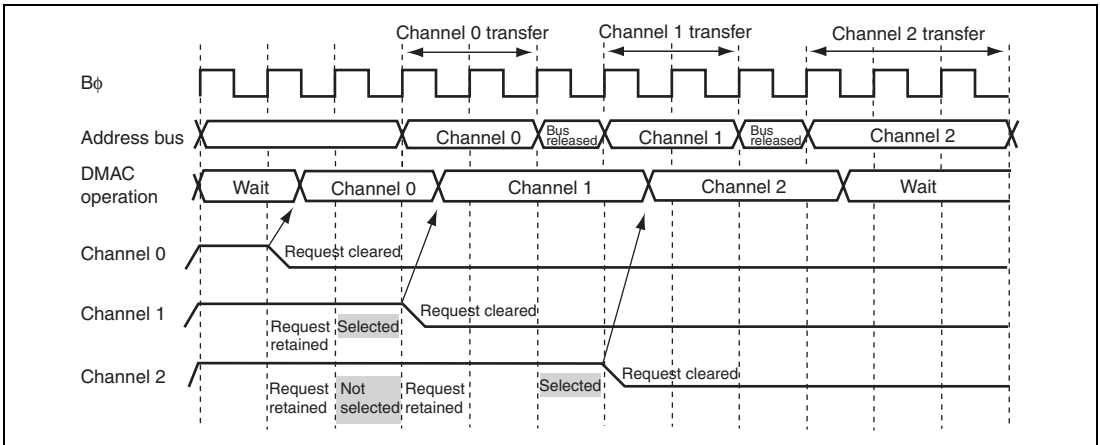


Figure 7.22 Example of Timing for Channel Priority

7.4.9 DMA Basic Bus Cycle

Figure 7.23 shows an examples of signal timing of a basic bus cycle. In figure 7.23, data is transferred in words from the 16-bit 2-state access space to the 8-bit 3-state access space. When the bus mastership is passed from the DMAC to the CPU, data is read from the source address and it is written to the destination address. The bus is not released between the read and write cycles by other bus requests. DMAC bus cycles follows the bus controller settings.

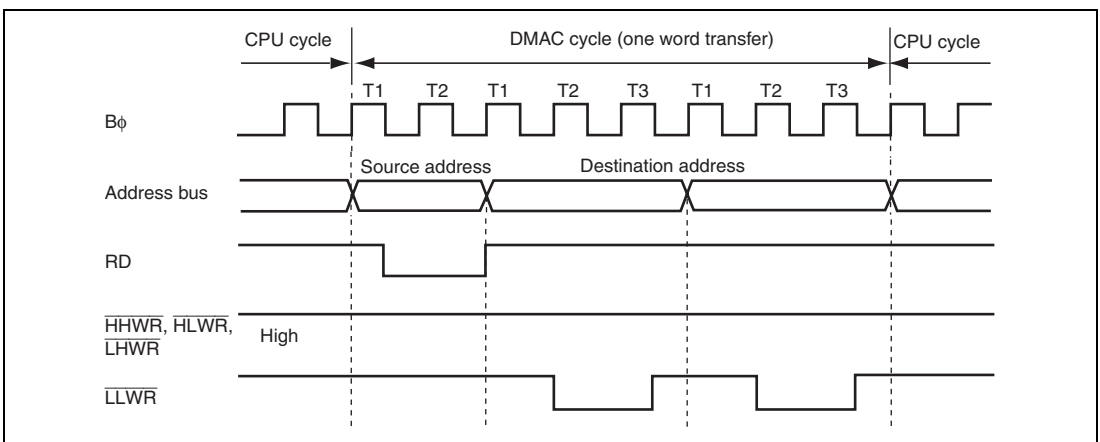


Figure 7.23 Example of Bus Timing of DMA Transfer

7.4.10 Bus Cycles in Dual Address Mode

(1) Normal Transfer Mode (Cycle Stealing Mode)

In cycle stealing mode, the bus is released every time one transfer size of data (one byte, one word, or one longword) is completed. One bus cycle or more by the CPU or DTC are executed in the bus released cycles.

In figure 7.24, the $\overline{\text{TEND}}$ signal output is enabled and data is transferred in words from the external 16-bit 2-state access space to the external 16-bit 2-state access space in normal transfer mode by cycle stealing.

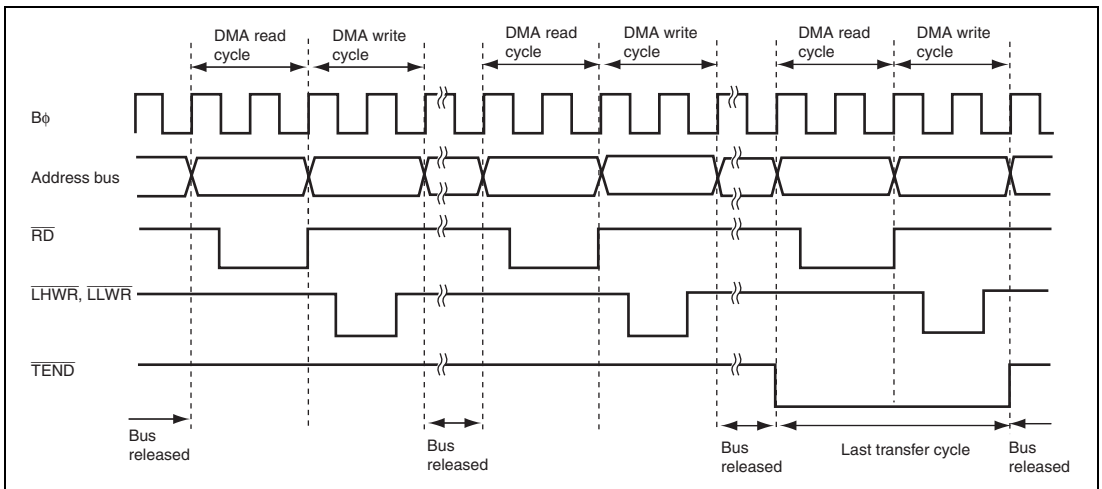
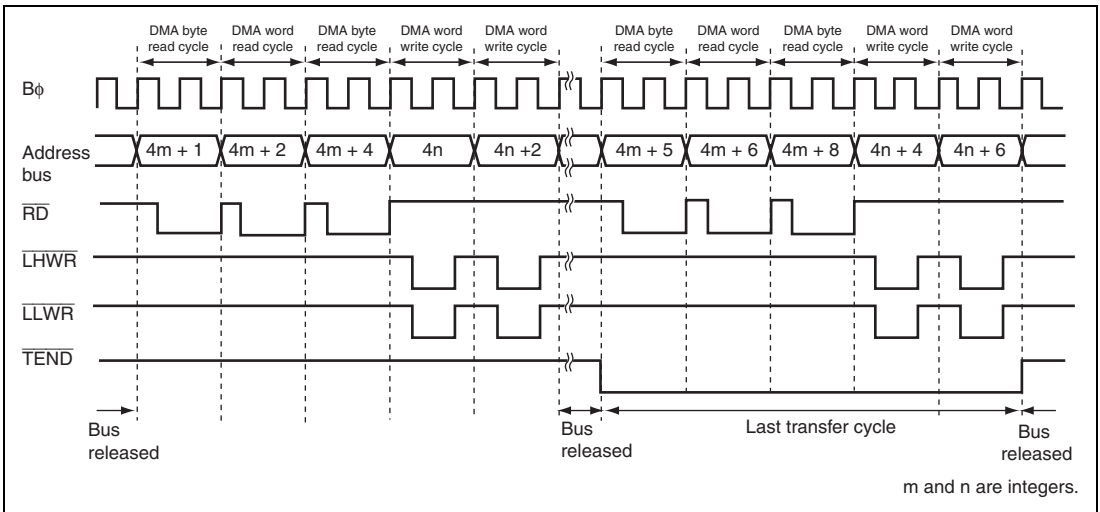


Figure 7.24 Example of Transfer in Normal Transfer Mode by Cycle Stealing

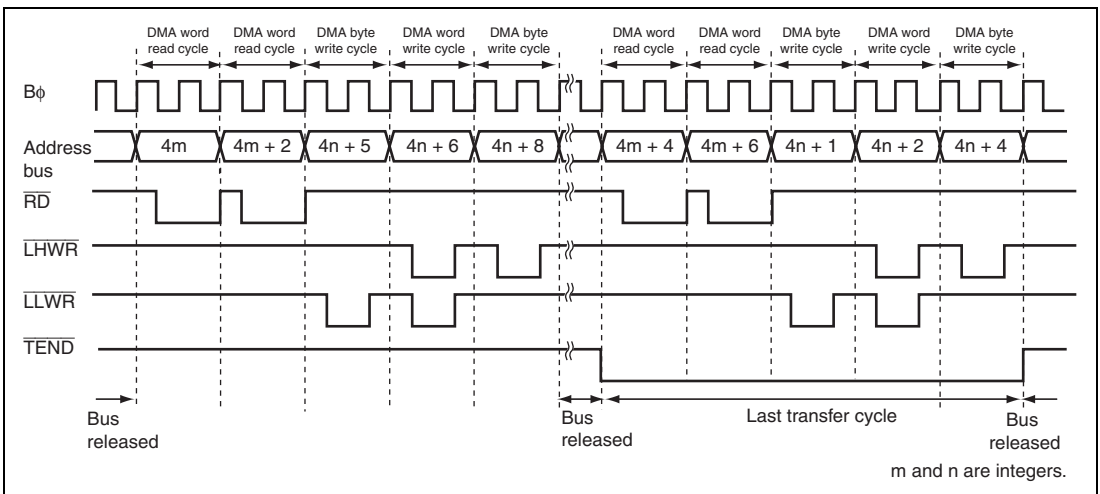
In figures 7.25 and 7.26, the $\overline{\text{TEND}}$ signal output is enabled and data is transferred in longwords from the external 16-bit 2-state access space to the external 16-bit 2-state access space in normal transfer mode by cycle stealing.

In figure 7.25, the transfer source (DSAR) is not aligned with a longword boundary and the transfer destination (DDAR) is aligned with a longword boundary.

In figure 7.26, the transfer source (DSAR) is aligned with a longword boundary and the transfer destination (DDAR) is not aligned with a longword boundary.



**Figure 7.25 Example of Transfer in Normal Transfer Mode by Cycle Stealing
(Transfer Source DSAR = Odd Address and Source Address Increment)**



**Figure 7.26 Example of Transfer in Normal Transfer Mode by Cycle Stealing
(Transfer Destination DDAR = Odd Address and Destination Address Decrement)**

(2) Normal Transfer Mode (Burst Mode)

In burst mode, one byte, one word, or one longword of data continues to be transferred until the transfer end condition is satisfied.

When a burst transfer starts, a transfer request from a channel having priority is suspended until the burst transfer is completed.

In figure 7.27, the $\overline{\text{TEND}}$ signal output is enabled and data is transferred in words from the external 16-bit 2-state access space to the external 16-bit 2-state access space in normal transfer mode by burst access.

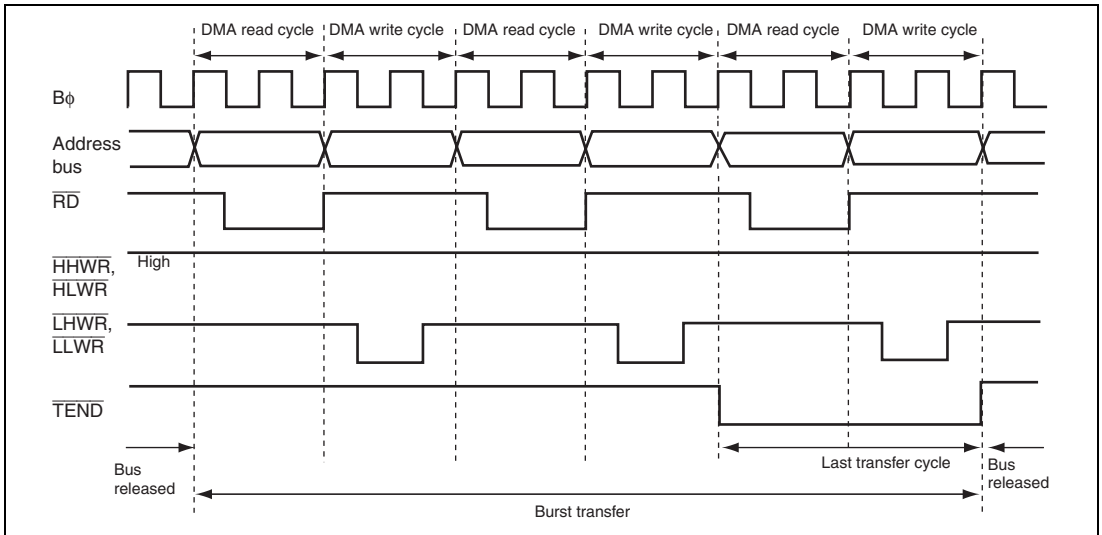


Figure 7.27 Example of Transfer in Normal Transfer Mode by Burst Access

(3) Block Transfer Mode

In block transfer mode, the bus is released every time a 1-block size of transfers at a single transfer request is completed.

In figure 7.28, the $\overline{\text{TEND}}$ signal output is enabled and data is transferred in words from the external 16-bit 2-state access space to the external 16-bit 2-state access space in block transfer mode.

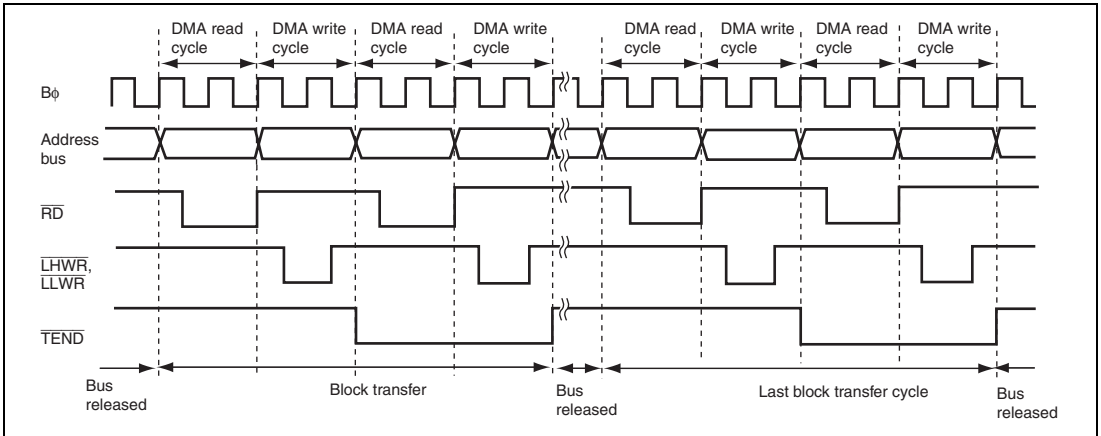


Figure 7.28 Example of Transfer in Block Transfer Mode

(4) Activation Timing by $\overline{\text{DREQ}}$ Falling Edge

Figure 7.29 shows an example of normal transfer mode activated by the $\overline{\text{DREQ}}$ signal falling edge.

The $\overline{\text{DREQ}}$ signal is sampled every cycle from the next rising edge of the $\text{B}\phi$ signal immediately after the DTE bit write cycle.

When a low level of the $\overline{\text{DREQ}}$ signal is detected while a transfer request by the $\overline{\text{DREQ}}$ signal is enabled, a transfer request is held in the DMAC. When the DMAC is activated, the transfer request is cleared and starts detecting a high level of the $\overline{\text{DREQ}}$ signal for falling edge detection. If a high level of the $\overline{\text{DREQ}}$ signal has been detected until completion of the DMA write cycle, receiving the next transfer request resumes and then a low level of the $\overline{\text{DREQ}}$ signal is detected. This operation is repeated until the transfer is completed.

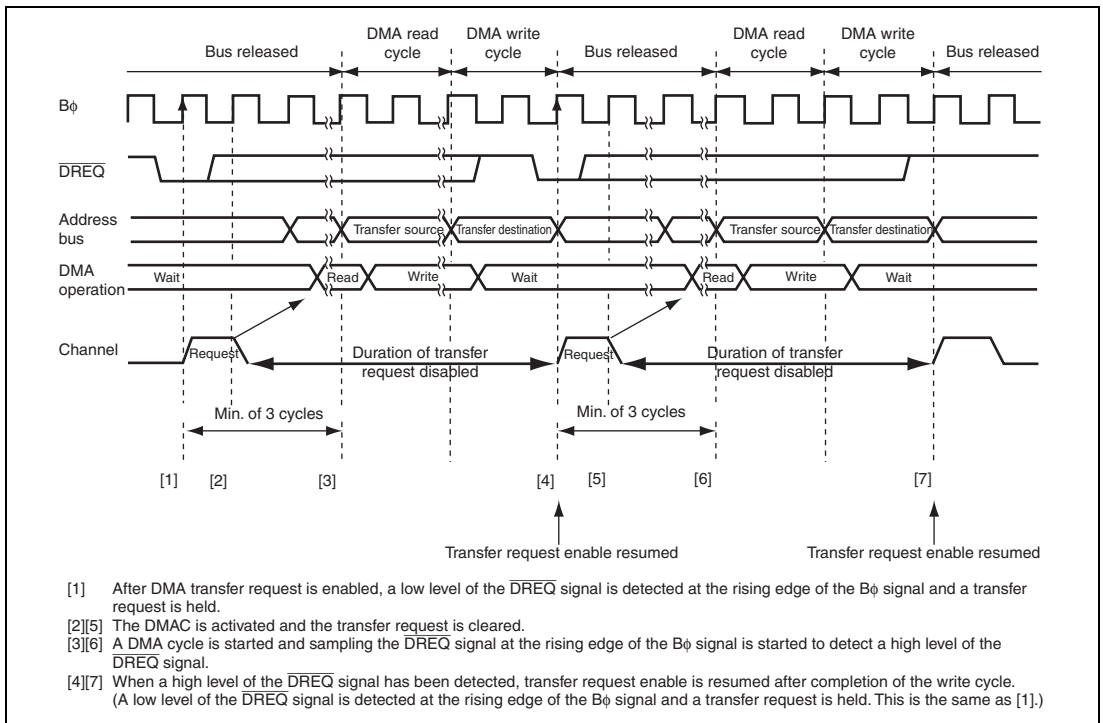


Figure 7.29 Example of Transfer in Normal Transfer Mode Activated by $\overline{\text{DREQ}}$ Falling Edge

(5) Activation Timing by $\overline{\text{DREQ}}$ Low Level

Figure 7.30 shows an example of normal transfer mode activated by the $\overline{\text{DREQ}}$ signal low level.

The $\overline{\text{DREQ}}$ signal is sampled every cycle from the next rising edge of the $\text{B}\phi$ signal immediately after the DTE bit write cycle.

When a low level of the $\overline{\text{DREQ}}$ signal is detected while a transfer request by the $\overline{\text{DREQ}}$ signal is enabled, a transfer request is held in the DMAC. When the DMAC is activated, the transfer request is cleared. Receiving the next transfer request resumes after completion of the write cycle and then a low level of the $\overline{\text{DREQ}}$ signal is detected. This operation is repeated until the transfer is completed.

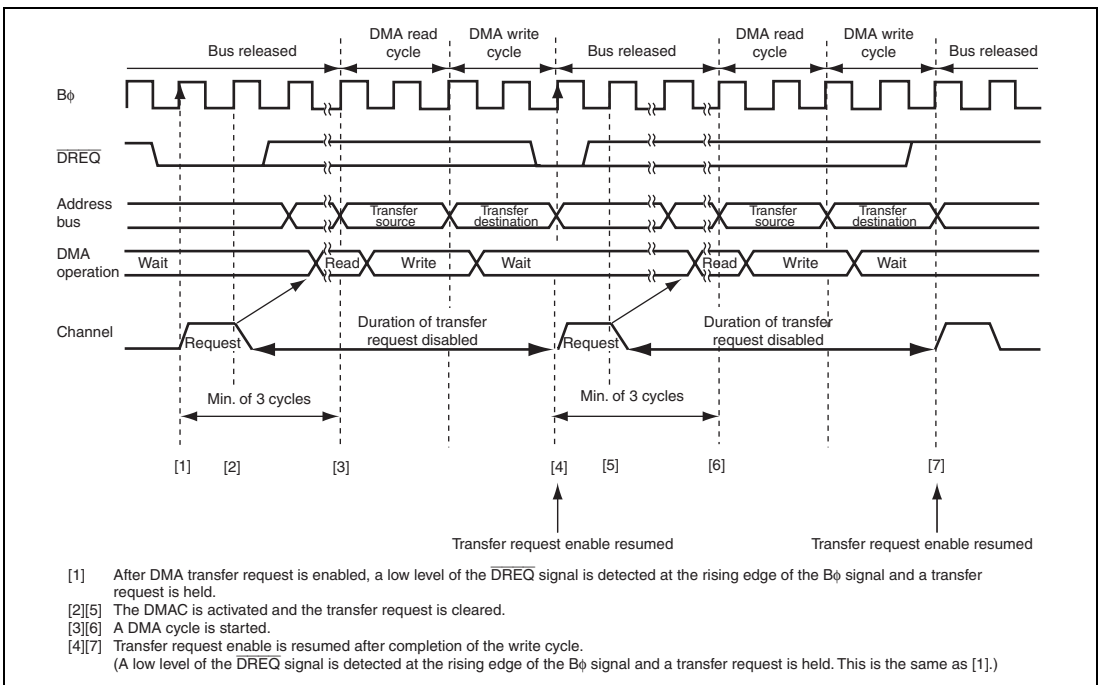


Figure 7.30 Example of Transfer in Normal Transfer Mode Activated by $\overline{\text{DREQ}}$ Low Level

Figure 7.31 shows an example of block transfer mode activated by the $\overline{\text{DREQ}}$ signal low level.

The $\overline{\text{DREQ}}$ signal is sampled every cycle from the next rising edge of the $\text{B}\phi$ signal immediately after the DTE bit write cycle.

When a low level of the $\overline{\text{DREQ}}$ signal is detected while a transfer request by the $\overline{\text{DREQ}}$ signal is enabled, a transfer request is held in the DMAC. When the DMAC is activated, the transfer request is cleared. Receiving the next transfer request resumes after completion of the write cycle and then a low level of the $\overline{\text{DREQ}}$ signal is detected. This operation is repeated until the transfer is completed.

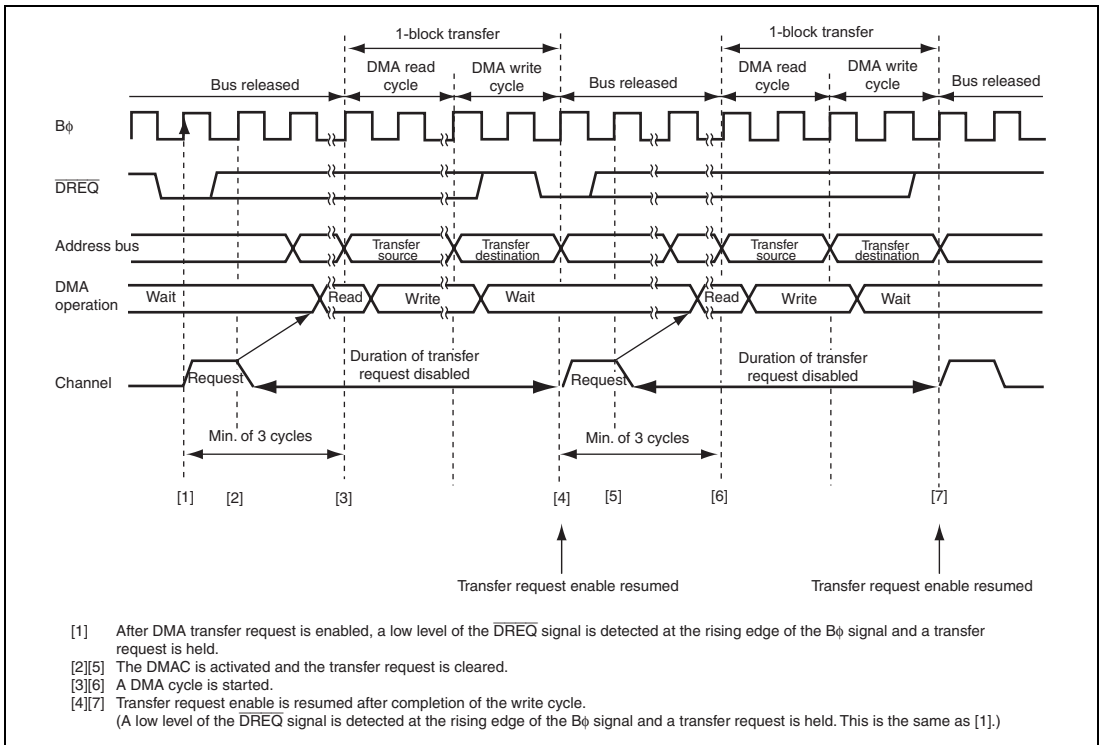


Figure 7.31 Example of Transfer in Block Transfer Mode Activated by $\overline{\text{DREQ}}$ Low Level

(6) Activation Timing by $\overline{\text{DREQ}}$ Low Level with $\text{NRD} = 1$

When the NRD bit in DMDR is set to 1, the timing of receiving the next transfer request is delayed for one cycle.

Figure 7.32 shows an example of normal transfer mode activated by the $\overline{\text{DREQ}}$ signal low level with $\text{NRD} = 1$.

The $\overline{\text{DREQ}}$ signal is sampled every cycle from the next rising edge of the $\text{B}\phi$ signal immediately after the DTE bit write cycle.

When a low level of the $\overline{\text{DREQ}}$ signal is detected while a transfer request by the $\overline{\text{DREQ}}$ signal is enabled, a transfer request is held in the DMAC. When the DMAC is activated, the transfer request is cleared. Receiving the next transfer request resumes after completion of the write cycle and then a low level of the $\overline{\text{DREQ}}$ signal is detected. This operation is repeated until the transfer is completed.

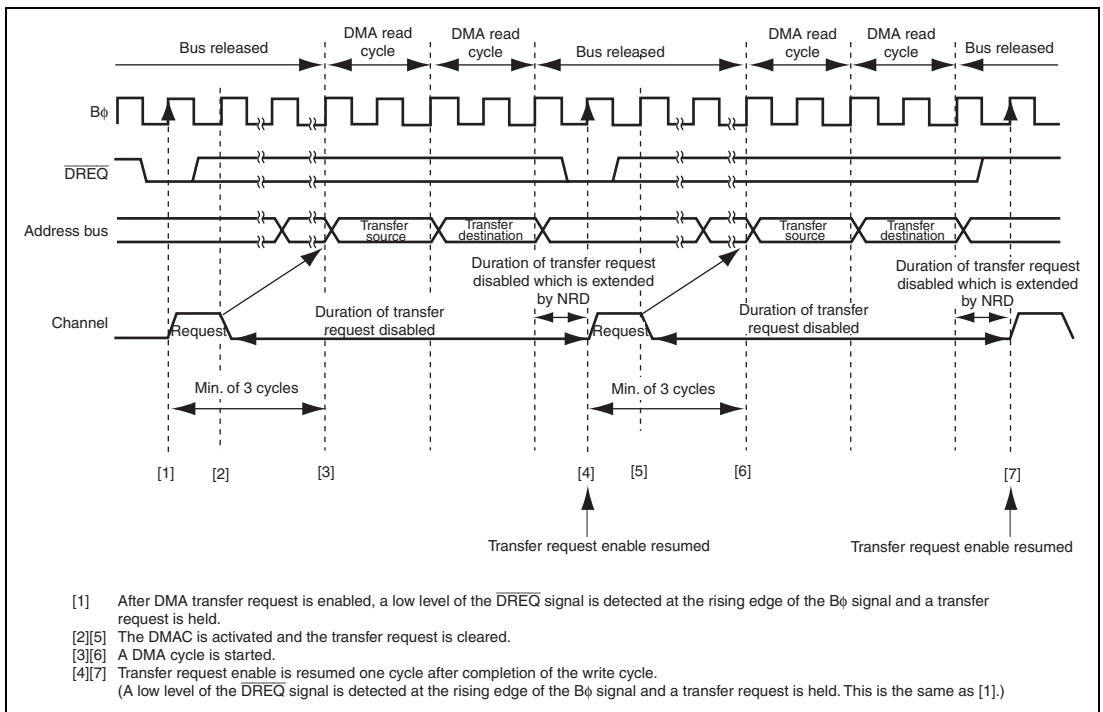


Figure 7.32 Example of Transfer in Normal Transfer Mode Activated by $\overline{\text{DREQ}}$ Low Level with $\text{NRD} = 1$

7.4.11 Bus Cycles in Single Address Mode

(1) Single Address Mode (Read and Cycle Stealing)

In single address mode, one byte, one word, or one longword of data is transferred at a single transfer request and after the transfer the bus is released temporarily. One bus cycle or more by the CPU or DTC are executed in the bus released cycles.

In figure 7.33, the $\overline{\text{TEND}}$ signal output is enabled and data is transferred in bytes from the external 8-bit 2-state access space to the external device in single address mode (read).

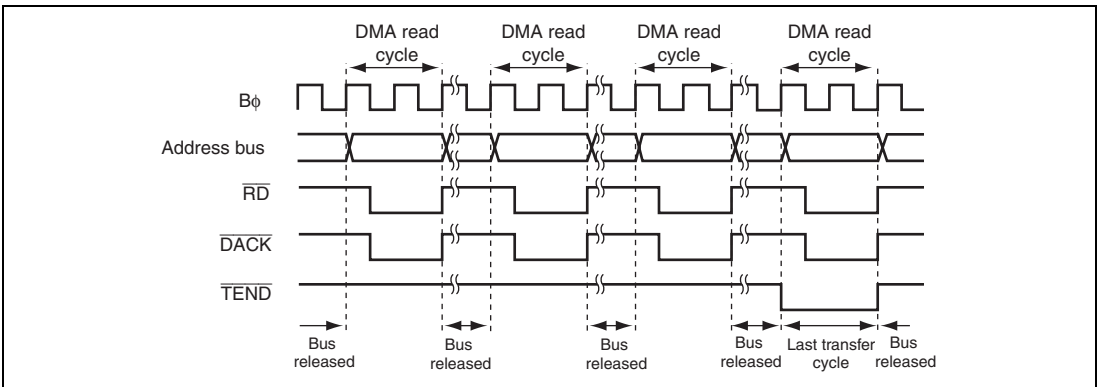


Figure 7.33 Example of Transfer in Single Address Mode (Byte Read)

(2) Single Address Mode (Write and Cycle Stealing)

In single address mode, data of one byte, one word, or one longword is transferred at a single transfer request and after the transfer the bus is released temporarily. One bus cycle or more by the CPU are executed in the bus released cycles.

In figure 7.34, the \overline{TEND} signal output is enabled and data is transferred in bytes from the external 8-bit 2-state access space to the external device in single address mode (write).

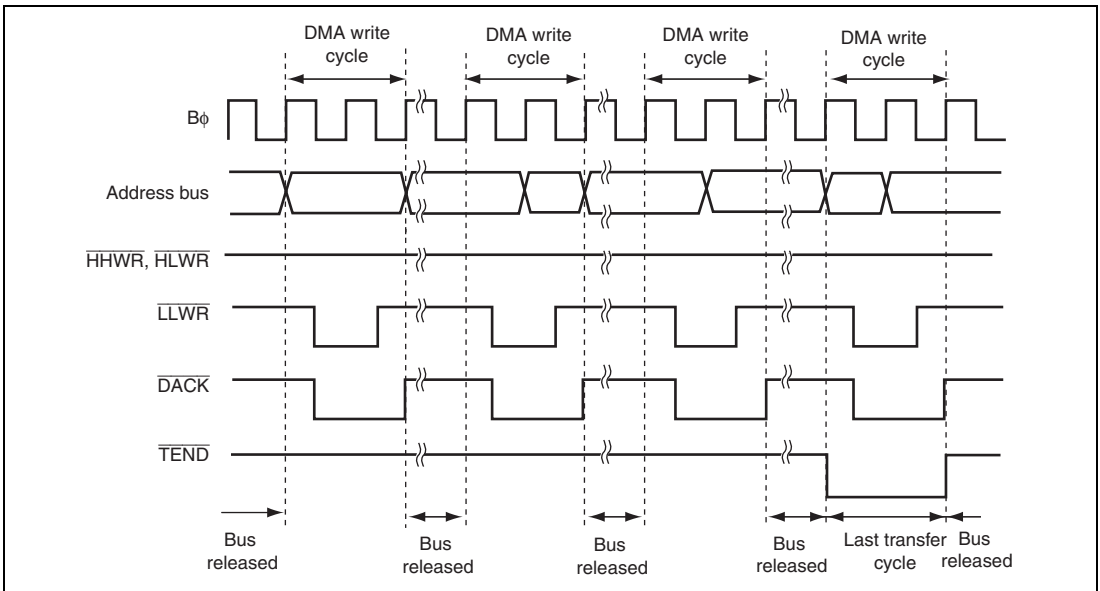


Figure 7.34 Example of Transfer in Single Address Mode (Byte Write)

(3) Activation Timing by $\overline{\text{DREQ}}$ Falling Edge

Figure 7.35 shows an example of single address mode activated by the $\overline{\text{DREQ}}$ signal falling edge.

The $\overline{\text{DREQ}}$ signal is sampled every cycle from the next rising edge of the $\text{B}\phi$ signal immediately after the DTE bit write cycle.

When a low level of the $\overline{\text{DREQ}}$ signal is detected while a transfer request by the $\overline{\text{DREQ}}$ signal is enabled, a transfer request is held in the DMAC. When the DMAC is activated, the transfer request is cleared and starts detecting a high level of the $\overline{\text{DREQ}}$ signal for falling edge detection. If a high level of the $\overline{\text{DREQ}}$ signal has been detected until completion of the single cycle, receiving the next transfer request resumes and then a low level of the $\overline{\text{DREQ}}$ signal is detected. This operation is repeated until the transfer is completed.

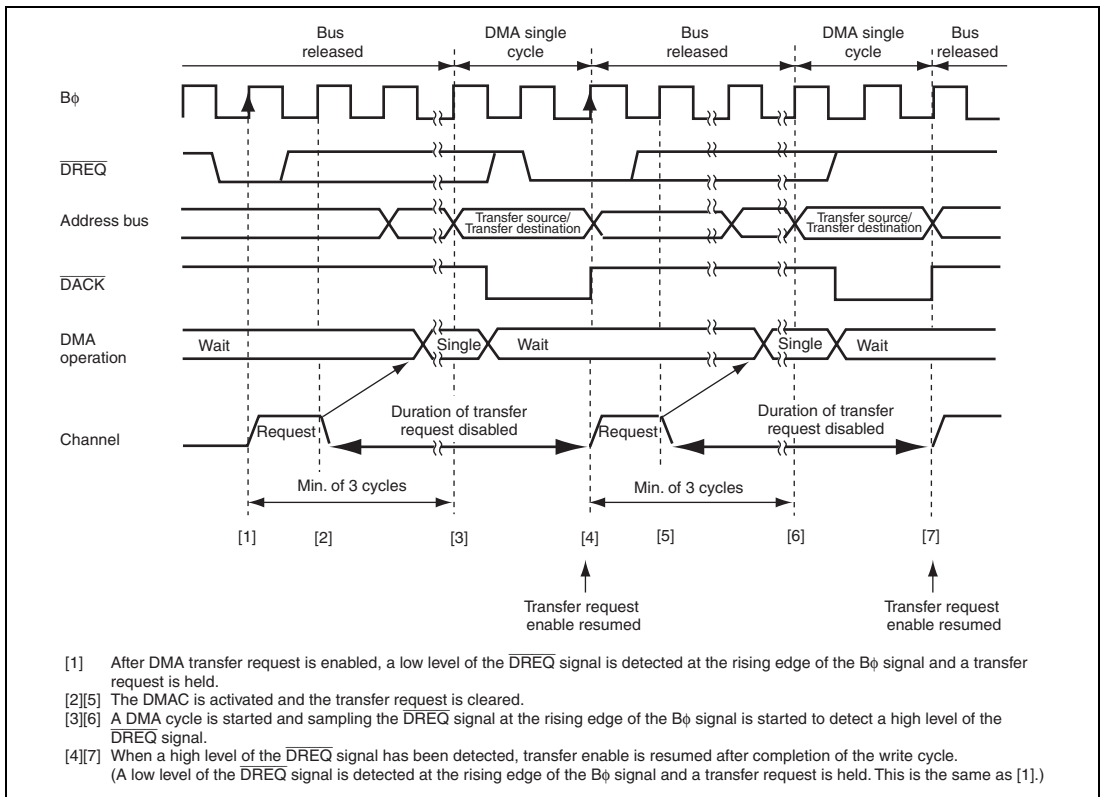


Figure 7.35 Example of Transfer in Single Address Mode Activated by $\overline{\text{DREQ}}$ Falling Edge

(4) Activation Timing by $\overline{\text{DREQ}}$ Low Level

Figure 7.36 shows an example of normal transfer mode activated by the $\overline{\text{DREQ}}$ signal low level.

The $\overline{\text{DREQ}}$ signal is sampled every cycle from the next rising edge of the $\text{B}\phi$ signal immediately after the DTE bit write cycle.

When a low level of the $\overline{\text{DREQ}}$ signal is detected while a transfer request by the $\overline{\text{DREQ}}$ signal is enabled, a transfer request is held in the DMAC. When the DMAC is activated, the transfer request is cleared. Receiving the next transfer request resumes after completion of the single cycle and then a low level of the $\overline{\text{DREQ}}$ signal is detected. This operation is repeated until the transfer is completed.

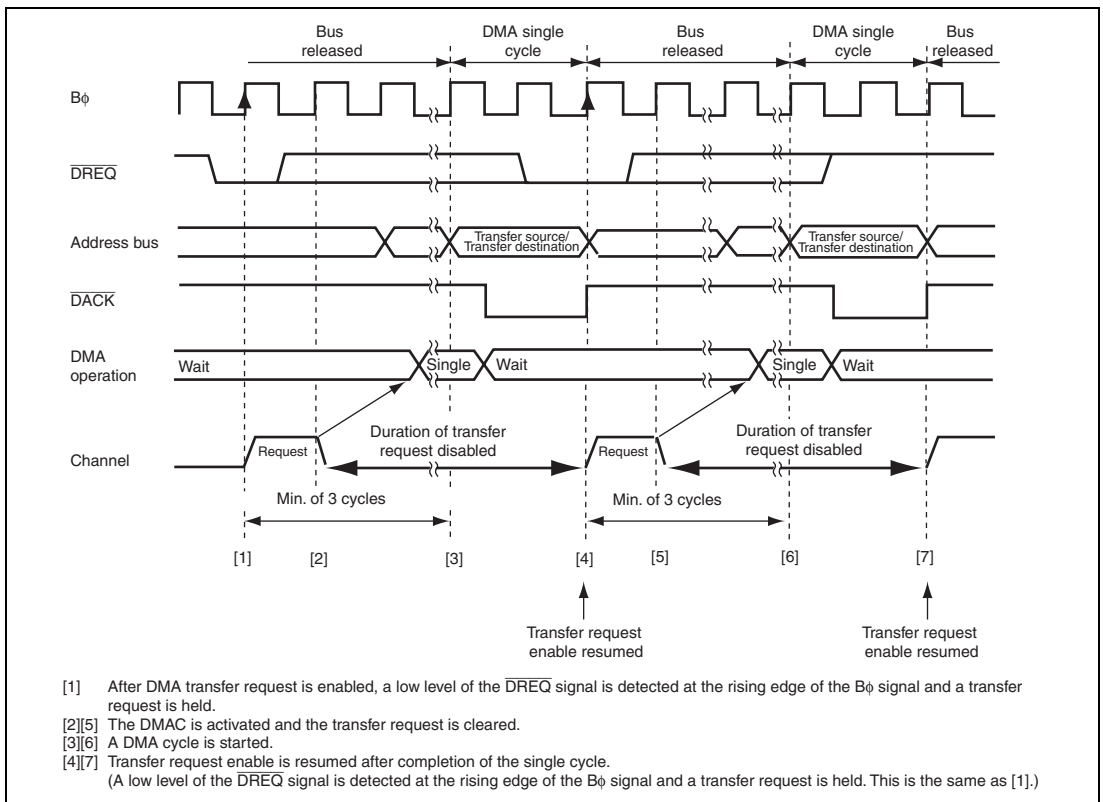


Figure 7.36 Example of Transfer in Single Address Mode Activated by $\overline{\text{DREQ}}$ Low Level

(5) Activation Timing by $\overline{\text{DREQ}}$ Low Level with $\text{NRD} = 1$

When the NRD bit in DMDR is set to 1, the timing of receiving the next transfer request is delayed for one cycle.

Figure 7.37 shows an example of single address mode activated by the $\overline{\text{DREQ}}$ signal low level with $\text{NRD} = 1$.

The $\overline{\text{DREQ}}$ signal is sampled every cycle from the next rising edge of the $\text{B}\phi$ signal immediately after the DTE bit write cycle.

When a low level of the $\overline{\text{DREQ}}$ signal is detected while a transfer request by the $\overline{\text{DREQ}}$ signal is enabled, a transfer request is held in the DMAC . When the DMAC is activated, the transfer request is cleared. Receiving the next transfer request resumes after one cycle of the transfer request duration inserted by $\text{NRD} = 1$ on completion of the single cycle and then a low level of the $\overline{\text{DREQ}}$ signal is detected. This operation is repeated until the transfer is completed.

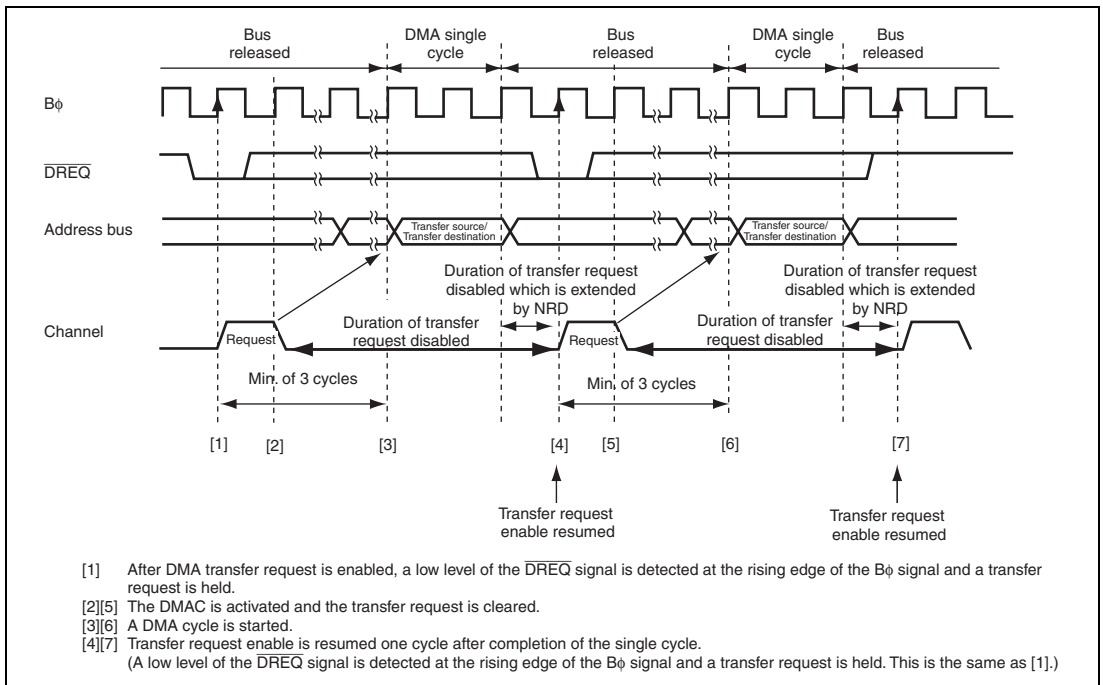


Figure 7.37 Example of Transfer in Single Address Mode Activated by $\overline{\text{DREQ}}$ Low Level with $\text{NRD} = 1$

7.5 DMA Transfer End

Operations on completion of a transfer differ according to the transfer end condition. DMA transfer completion is indicated that the DTE and ACT bits in DMDR are changed from 1 to 0.

(1) Transfer End by DTCR Change from 1, 2, or 4, to 0

When DTCR is changed from 1, 2, or 4 to 0, a DMA transfer for the channel is completed. The DTE bit in DMDR is cleared to 0 and the DTIF bit in DMDR is set to 1. At this time, when the DTIE bit in DMDR is set to 1, a transfer end interrupt by the transfer counter is requested. When the DTCR value is 0 before the transfer, the transfer is not stopped.

(2) Transfer End by Transfer Size Error Interrupt

When the following conditions are satisfied while the TSEIE bit in DMDR is set to 1, a transfer size error occurs and a DMA transfer is terminated. At this time, the DTE bit in DMDR is cleared to 0 and the ESIF bit in DMDR is set to 1.

- In normal transfer mode and repeat transfer mode, when the next transfer is requested while a transfer is disabled due to the DTCR value less than the data access size
- In block transfer mode, when the next transfer is requested while a transfer is disabled due to the DTCR value less than the block size

When the TSEIE bit in DMDR is cleared to 0, data is transferred until the DTCR value reaches 0. A transfer size error is not generated. Operation in each transfer mode is shown below.

- In normal transfer mode and repeat transfer mode, when the DTCR value is less than the data access size, data is transferred in bytes
- In block transfer mode, when the DTCR value is less than the block size, the specified size of data in DTCR is transferred instead of transferring the block size of data. The transfer is performed in bytes.

(3) Transfer End by Repeat Size End Interrupt

In repeat transfer mode, when the next transfer is requested after completion of a 1-repeat size data transfer while the RPTIE bit in DACR is set to 1, a repeat size end interrupt is requested. When the interrupt is requested to complete DMA transfer, the DTE bit in DMDR is cleared to 0 and the ESIF bit in DMDR is set to 1. Under this condition, setting the DTE bit to 1 resumes the transfer.

In block transfer mode, when the next transfer is requested after completion of a 1-block size data transfer, a repeat size end interrupt can be requested.

(4) Transfer End by Interrupt on Extended Repeat Area Overflow

When an overflow on the extended repeat area occurs while the extended repeat area is specified and the SARIE or DARIE bit in DACR is set to 1, an interrupt by an extended repeat area overflow is requested. When the interrupt is requested, the DMA transfer is terminated, the DTE bit in DMDR is cleared to 0, and the ESIF bit in DMDR is set to 1.

In dual address mode, even if an interrupt by an extended repeat area overflow occurs during a read cycle, the following write cycle is performed.

In block transfer mode, even if an interrupt by an extended repeat area overflow occurs during a 1-block transfer, the remaining data is transferred. The transfer is not terminated by an extended repeat area overflow interrupt unless the current transfer is complete.

(5) Transfer End by Clearing DTE Bit in DMDR

When the DTE bit in DMDR is cleared to 0 by the CPU, a transfer is completed after the current DMA cycle and a DMA cycle in which the transfer request is accepted are completed.

In block transfer mode, a DMA transfer is completed after 1-block data is transferred.

(6) Transfer End by NMI Interrupt

When an NMI interrupt is requested, the DTE bits for all the channels are cleared to 0 and the ERRF bit in DMDR_0 is set to 1. When an NMI interrupt is requested during a DMA transfer, the transfer is forced to stop. To perform DMA transfer after an NMI interrupt is requested, clear the ERRF bit to 0 and then set the DTE bits for the channels to 1.

The transfer end timings after an NMI interrupt is requested are shown below.

(a) Normal Transfer Mode and Repeat Transfer Mode

In dual address mode, a DMA transfer is completed after completion of the write cycle for one transfer unit.

In single address mode, a DMA transfer is completed after completion of the bus cycle for one transfer unit.

(b) Block Transfer Mode

A DMA transfer is forced to stop. Since a 1-block size of transfers is not completed, operation is not guaranteed.

In dual address mode, the write cycle corresponding to the read cycle is performed. This is similar to (a) in normal transfer mode.

(7) Transfer End by Address Error

When an address error occurs, the DTE bits for all the channels are cleared to 0 and the ERRF bit in DMDR_0 is set to 1. When an address error occurs during a DMA transfer, the transfer is forced to stop. To perform a DMA transfer after an address error occurs, clear the ERRF bit to 0 and then set the DTE bits for the channels.

The transfer end timing after an address error is the same as that after an NMI interrupt.

(8) Transfer End by Hardware Standby Mode or Reset

The DMAC is initialized by a reset and a transition to the hardware standby mode. A DMA transfer is not guaranteed.

7.6 Relationship among DMAC and Other Bus Masters

7.6.1 CPU Priority Control Function Over DMAC

The CPU priority control function over DMAC can be used according to the CPU priority control register (CPUPCR) setting. For details, see section 5.7, CPU Priority Control Function Over DTC and DMAC.

The priority level of the DMAC is specified by bits DMAP2 to DMAP0 and can be specified for each channel.

The priority level of the CPU is specified by bits CPUP2 to CPUP0. The value of bits CPUP2 to CPUP0 is updated according to the exception handling priority.

If the CPU priority control is enabled by the CPUPCE bit in CPUPCR, when the CPU has priority over the DMAC, a transfer request for the corresponding channel is masked and the transfer is not activated. When another channel has priority over or the same as the CPU, a transfer request is received regardless of the priority between channels and the transfer is activated.

If the priority level of the transfer request masked by the CPU priority control function is changed or the CPU priority is changed, the transfer request may be received and the transfer is started.

When the CPUPCE bit is cleared to 0, it is regarded as the lowest priority. Transfer requests masked are suspended. If a transfer request is suspended, it is cleared by clearing the DTE bit to 0.

7.6.2 Bus Arbitration among DMAC and Other Bus Masters

When DMA transfer cycles are consecutively performed, bus cycles of other bus masters may be inserted between the transfer cycles. The DMAC can release the bus temporarily to pass the bus to other bus masters.

The consecutive DMA transfer cycles may not be divided according to the transfer mode settings to achieve high-speed access.

The read and write cycles of a DMA transfer are not separated. Refreshing, external bus release, and on-chip bus master (CPU and DTC) cycles are not inserted between the read and write cycles of a DMA transfer.

In block transfer mode and an auto request transfer by burst access, bus cycles of the DMA transfer are consecutively performed. For this duration, since the DMAC has priority over the CPU and DTC, accesses to the external space is suspended (the IBCCS bit in the bus control register 2 (BCR2) is cleared to 0).

When the bus is passed to another channel or an auto request transfer by cycle stealing, bus cycles of the DMAC and on-chip bus master are performed alternatively.

When the arbitration function among the DMAC and on-chip bus masters is enabled by setting the IBCCS bit in BCR2, the bus is used alternatively except the bus cycles which are not separated. For details, see section 6, Bus Controller (BSC).

A conflict may occur between external space access of the DMAC and a refresh cycle or an external bus release cycle. Even if a burst or block transfer is performed by the DMAC, the transfer is stopped temporarily and a cycle of refresh or external bus release is inserted by the BSC (when the DTC and CPU external access does not have priority over a DMAC transfer, the transfer is not operated until the DMAC releases the bus).


In dual address mode, the DMAC releases the external bus after the external space write cycle. Since the read and write cycles are not separated, the bus is not released.

An internal space (on-chip memory and internal I/O registers) access of the DMAC and an external bus release cycle may be performed at the same time.

7.7 Interrupt Sources

The DMAC interrupt sources are a transfer end interrupt by the transfer counter and a transfer escape end interrupt which is generated when a transfer is terminated before the transfer counter reaches 0. Table 7.6 shows interrupt sources and priority.

Table 7.6 Interrupt Sources and Priority

Abbr.	Interrupt Sources	Priority
DMTEND0	Transfer end interrupt by channel 0 transfer counter	
DMTEND1	Transfer end interrupt by channel 1 transfer counter	
DMTEND2	Transfer end interrupt by channel 2 transfer counter	
DMTEND3	Transfer end interrupt by channel 3 transfer counter	
DMEEND0	Interrupt by channel 0 transfer size error	
	Interrupt by channel 0 repeat size end	
	Interrupt by channel 0 extended repeat area overflow on source address	
	Interrupt by channel 0 extended repeat area overflow on destination address	
DMEEND1	Interrupt by channel 1 transfer size error	
	Interrupt by channel 1 repeat size end	
	Interrupt by channel 1 extended repeat area overflow on source address	
	Interrupt by channel 1 extended repeat area overflow on destination address	
DMEEND2	Interrupt by channel 2 transfer size error	
	Interrupt by channel 2 repeat size end	
	Interrupt by channel 2 extended repeat area overflow on source address	
	Interrupt by channel 2 extended repeat area overflow on destination address	
DMEEND3	Interrupt by channel 3 transfer size error	
	Interrupt by channel 3 repeat size end	
	Interrupt by channel 3 extended repeat area overflow on source address	
	Interrupt by channel 3 extended repeat area overflow on destination address	

Each interrupt is enabled or disabled by the DTIE and ESIE bits in DMDR for the corresponding channel. A DMTEND interrupt is generated by the combination of the DTIF and DTIE bits in DMDR. A DMEEND interrupt is generated by the combination of the ESIF and ESIE bits in DMDR. The DMEEND interrupt sources are not distinguished. The priority among channels are decided by the interrupt controller and it is shown in table 7.6. For details, see section 5, Interrupt Controller.

Each interrupt source is specified by the interrupt enable bit in the register for the corresponding channel. A transfer end interrupt by the transfer counter, a transfer size error interrupt, a repeat size end interrupt, an interrupt by an extended repeat area overflow on the source address, and an interrupt by an extended repeat area overflow on the destination address are enabled or disabled by the DTIE bit in DMDR, the TSEIE bit in DMDR, the RPTIE bit in DACR, SARIE bit in DACR, and the DARIE bit in DACR, respectively.

A transfer end interrupt by the transfer counter is generated when the DTIF bit in DMDR is set to 1. The DTIF bit is set to 1 when DTCR becomes 0 by a transfer while the DTIE bit in DMDR is set to 1.

An interrupt other than the transfer end interrupt by the transfer counter is generated when the ESIF bit in DMDR is set to 1. The ESIF bit is set to 1 when the conditions are satisfied by a transfer while the enable bit is set to 1.

A transfer size error interrupt is generated when the next transfer cannot be performed because the DTCR value is less than the data access size, meaning that the data access size of transfers cannot be performed. In block transfer mode, the block size is compared with the DTCR value for transfer error decision.

A repeat size end interrupt is generated when the next transfer is requested after completion of the repeat size of transfers in repeat transfer mode. Even when the repeat area is not specified in the address register, the transfer can be stopped periodically according to the repeat size. At this time, when a transfer end interrupt by the transfer counter is generated, the ESIF bit is set to 1.

An interrupt by an extended repeat area overflow on the source and destination addresses is generated when the address exceeds the extended repeat area (overflow). At this time, when a transfer end interrupt by the transfer counter, the ESIF bit is set to 1.

Figure 7.38 is a block diagram of interrupts and interrupt flags. To clear an interrupt, clear the DTIF or ESIF bit in DMDR to 0 in the interrupt handling routine or continue the transfer by setting the DTE bit in DMDR after setting the register. Figure 7.39 shows procedure to resume the transfer by clearing a interrupt.

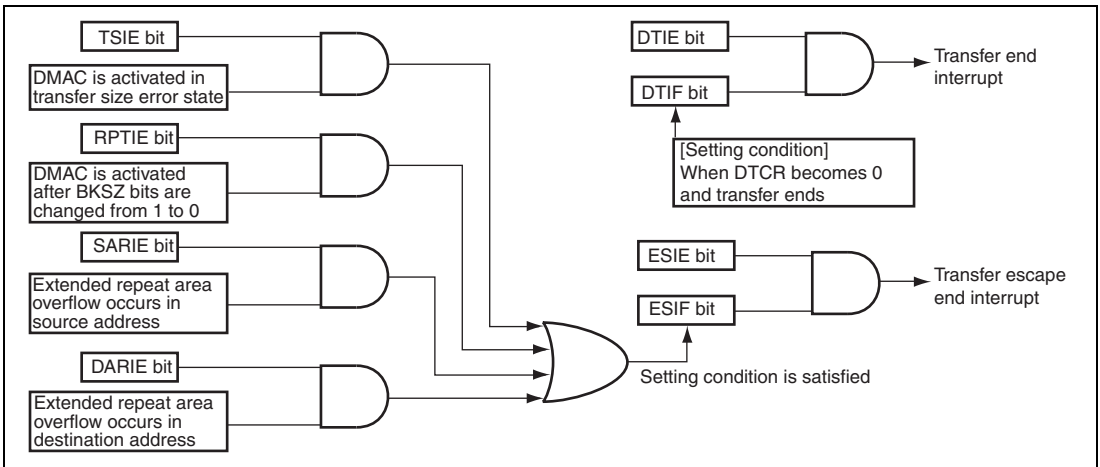


Figure 7.38 Interrupt and Interrupt Sources

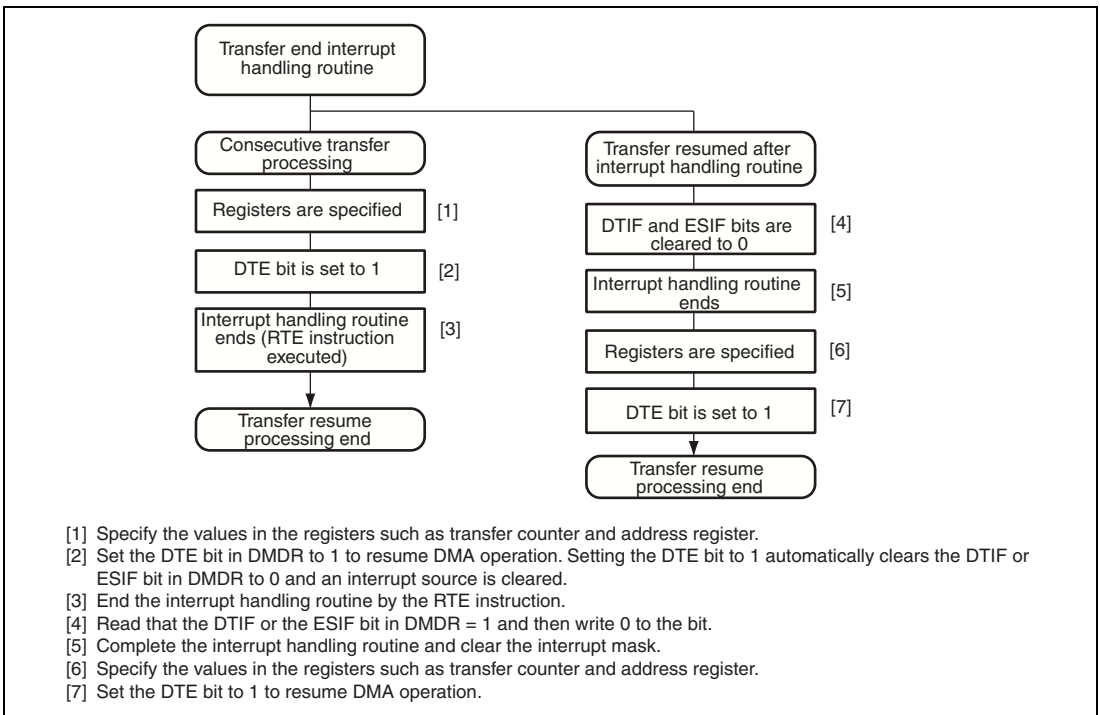


Figure 7.39 Procedure Example of Resuming Transfer by Clearing Interrupt Source

7.8 Notes on Usage

1. DMAC Register Access During Operation

Except for clearing the DTE bit in DMDR, the settings for channels being transferred (including waiting state) must not be changed. The register settings must be changed during the transfer prohibited state.

2. Settings of Module Stop Function

The DMAC operation can be enabled or disabled by the module stop control register. The DMAC is enabled by the initial value.

Setting bit MSTPA13 in MSTPCRA stops the clock supplied to the DMAC and the DMAC enters the module stop state. However, when a transfer for a channel is enabled or when an interrupt is being requested, bit MSTPA13 cannot be set to 1. Clear the DTE bit to 0, clear the DTIF or DTIE bit in DMDR to 0, and then set bit MSTPA13.

When the clock is stopped, the DMAC registers cannot be accessed. However, the following register settings are valid in the module stop state. Disable them before entering the module stop state, if necessary.

- TENDE bit in DMDR is 1 (the TEND signal output enabled)
- DACK bit in DMDR is 1 (the DACK signal output enabled)

3. Activation by $\overline{\text{DREQ}}$ Falling Edge

The $\overline{\text{DREQ}}$ falling edge detection is synchronized with the DMAC internal operation.

- A. Activation request waiting state: Waiting for detecting the $\overline{\text{DREQ}}$ low level. A transition to 2. is made.
- B. Transfer waiting state: Waiting for a DMAC transfer. A transition to 3. is made.
- C. Transfer prohibited state: Waiting for detecting the $\overline{\text{DREQ}}$ high level. A transition to 1. is made.

After a DMAC transfer enabled, a transition to 1. is made. Therefore, the $\overline{\text{DREQ}}$ signal is sampled by low level detection at the first activation after a DMAC transfer enabled.

4. Acceptation of Activation Source

At the beginning of an activation source reception, a low level is detected regardless of the setting of $\overline{\text{DREQ}}$ falling edge or low level detection. Therefore, if the $\overline{\text{DREQ}}$ signal is driven low before setting DMDR, the low level is received as a transfer request.

When the DMAC is activated, clear the $\overline{\text{DREQ}}$ signal of the previous transfer.

Section 8 Data Transfer Controller (DTC)

This LSI includes a data transfer controller (DTC). The DTC can be activated to transfer data by an interrupt request.

8.1 Features

- Transfer possible over any number of channels: transfer for 69 activation sources
 - Multiple data transfer enabled for one activation source (chain transfer)
 - Chain transfer specifiable after data transfer (when the counter is 0)
- Three transfer modes
 - Normal/repeat/block transfer modes selectable
 - Transfer source and destination addresses can be selected from increment/decrement/fixed
- Short address mode or full address mode selectable
 - Short address mode
 - Transfer information is located on a 3-longword boundary
 - The transfer source and destination addresses can be specified by 24 bits to select a 256-Mbyte address space directly
 - Full address mode
 - Transfer information is located on a 4-longword boundary
 - The transfer source and destination addresses can be specified by 32 bits to select a 4-Gbyte address space directly
- Size of data for data transfer can be specified as byte, word, or longword
 - The bus cycle is divided if an odd address is specified for a word or longword transfer.
 - The bus cycle is divided if address $4n + 2$ is specified for a longword transfer.
- A CPU interrupt can be requested for the interrupt that activated the DTC
 - A CPU interrupt can be requested after one data transfer completion
 - A CPU interrupt can be requested after the specified data transfer completion
- Activation by software is possible
 - Read skip of the transfer information specifiable
- Writeback skip executed for the fixed transfer source and destination addresses
- Module stop mode specifiable

Figure 8.1 shows a block diagram of the DTC. The DTC transfer information can be allocated to the data area*. When the transfer information is allocated to the on-chip RAM, a 32-bit bus connects the DTC to the on-chip RAM, enabling 32-bit/1-state reading and writing of the DTC transfer information.

Note: * When the transfer information is stored in the on-chip RAM, the RAME bit in SYSCR must be set to 1.

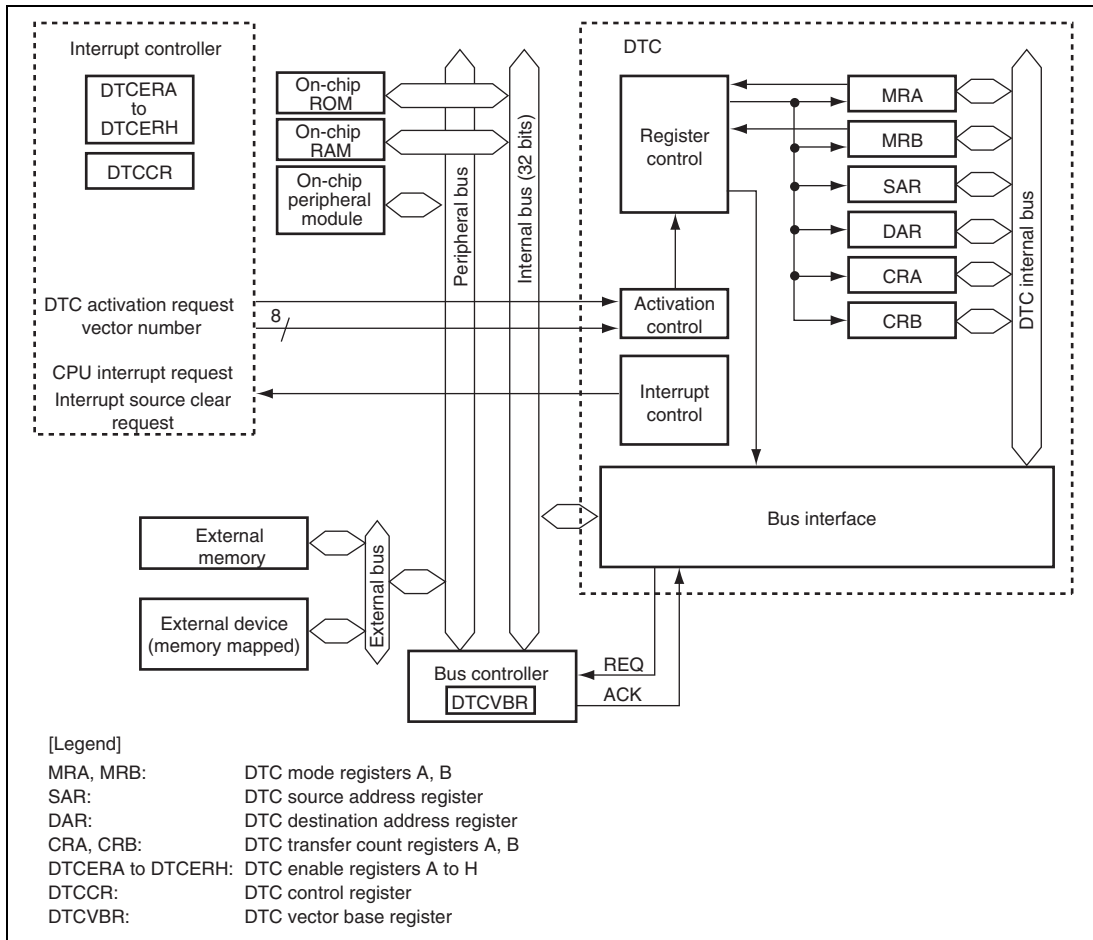


Figure 8.1 Block Diagram of DTC

8.2 Register Descriptions

DTC has the following registers.

- DTC mode register A (MRA)
- DTC mode register B (MRB)
- DTC source address register (SAR)
- DTC destination address register (DAR)
- DTC transfer count register A (CRA)
- DTC transfer count register B (CRB)

These six registers MRA, MRB, SAR, DAR, CRA, and CRB cannot be directly accessed by the CPU. The contents of these registers are stored in the data area as transfer information. When a DTC activation request occurs, the DTC reads a start address of transfer information that is stored in the data area according to the vector address, reads the transfer information, and transfers data. After the data transfer, it writes a set of updated transfer information back to the data area.

- DTC enable registers A to H (DTCERA to DTCERH)
- DTC control register (DTCCR)
- DTC vector base register (DTCVBR)

Registers DTCERA to DTCERH, DTCCR, and DTCVBR can be accessed directly by the CPU.

8.2.1 DTC Mode Register A (MRA)

MRA selects DTC operating mode. MRA cannot be accessed directly by the CPU.

Bit	7	6	5	4	3	2	1	0
Bit Name	MD1	MD0	Sz1	Sz0	SM1	SM0	—	—
Initial Value	Undefined	Undefined	Undefined	Undefined	Undefined	Undefined	0	0
R/W	—	—	—	—	—	—	—	—

Bit	Bit Name	Initial Value	R/W	Description
7	MD1	Undefined	—	DTC Mode 1 and 0
6	MD0	Undefined	—	Specify DTC transfer mode. 00: Normal mode 01: Repeat mode 10: Block transfer mode 11: Setting prohibited
5	Sz1	Undefined	—	DTC Data Transfer Size 1 and 0
4	Sz0	Undefined	—	Specify the size of data to be transferred. 00: Byte-size transfer 01: Word-size transfer 10: Longword-size transfer 11: Setting prohibited
3	SM1	Undefined	—	Source Address Mode 1 and 0
2	SM0	Undefined	—	Specify an SAR operation after a data transfer. 0X: SAR is fixed (SAR writeback is skipped) 10: SAR is incremented after a transfer (by 1 when Sz1 and Sz0 = B'00; by 2 when Sz1 and Sz0 = B'01; by 4 when Sz1 and Sz0 = B'10) 11: SAR is decremented after a transfer (by 1 when Sz1 and Sz0 = B'00; by 2 when Sz1 and Sz0 = B'01; by 4 when Sz1 and Sz0 = B'10)
1, 0	—	All 0	—	Reserved The initial value should not be changed.

[Legend]

X: Don't care

8.2.2 DTC Mode Register B (MRB)

MRB selects DTC operating mode. MRB cannot be accessed directly by the CPU.

Bit	7	6	5	4	3	2	1	0
Bit Name	CHNE	CHNS	DISEL	DTS	DM1	DM0	—	—
Initial Value	Undefined	Undefined	Undefined	Undefined	Undefined	Undefined	0	0
R/W	—	—	—	—	—	—	—	—

Bit	Bit Name	Initial Value	R/W	Description
7	CHNE	Undefined	—	<p>DTC Chain Transfer Enable</p> <p>Specifies the chain transfer. For details, see 8.5.7, Chain Transfer. The chain transfer condition is selected by the CHNS bit.</p> <p>0: Disables the chain transfer 1: Enables the chain transfer</p>
6	CHNS	Undefined	—	<p>DTC Chain Transfer Select</p> <p>Specifies the chain transfer condition. If the following transfer is a chain transfer, the completion check of the specified transfer count is not performed and activation source flag or DTCER is not cleared.</p> <p>0: Chain transfer every time 1: Chain transfer only when transfer counter = 0</p>
5	DISEL	Undefined	—	<p>DTC Interrupt Select</p> <p>When this bit is set to 1, a CPU interrupt request is generated every time after a data transfer ends. When this bit is set to 0, a CPU interrupt request is only generated when the specified number of data transfer end.</p>
4	DTS	Undefined	—	<p>DTC Transfer Mode Select</p> <p>Specifies either the source or destination as repeat or block area during repeat or block transfer mode.</p> <p>0: Specifies the destination as repeat or block area 1: Specifies the source as repeat or block area</p>

Bit	Bit Name	Initial Value	R/W	Description
3	DM1	Undefined	—	Destination Address Mode 1 and 0
2	DM0	Undefined	—	Specify a DAR operation after a data transfer. 0X: DAR is fixed (DAR writeback is skipped) 10: DAR is incremented after a transfer (by 1 when Sz1 and Sz0 = B'00; by 2 when Sz1 and Sz0 = B'01; by 4 when Sz1 and Sz0 = B'10) 11: DAR is decremented after a transfer (by 1 when Sz1 and Sz0 = B'00; by 2 when Sz1 and Sz0 = B'01; by 4 when Sz1 and Sz0 = B'10)
1	—	0	—	Reserved
0	—	0	—	The initial value should not be changed.

[Legend]

X: Don't care

8.2.3 DTC Source Address Register (SAR)

SAR is a 32-bit register that designates the source address of data to be transferred by the DTC.

In full address mode, 32 bits of SAR are valid. In short address mode, the lower 24 bits of SAR is valid and bits 31 to 24 are ignored.

If a word or longword access is performed while an odd address is specified in SAR or if a longword access is performed while address $4n + 2$ is specified in SAR, the bus cycle is divided into multiple cycles to transfer data. For details, see section 8.5.1, Bus Cycle Division.

SAR cannot be accessed directly from the CPU.

8.2.4 DTC Destination Address Register (DAR)

DAR is a 32-bit register that designates the destination address of data to be transferred by the DTC.

In full address mode, 32 bits of DAR are valid. In short address mode, the lower 24 bits of DAR is valid and bits 31 to 24 are ignored.

If a word or longword access is performed while an odd address is specified in DAR or if a longword access is performed while address $4n + 2$ is specified in DAR, the bus cycle is divided into multiple cycles to transfer data. For details, see section 8.5.1, Bus Cycle Division.

DAR cannot be accessed directly from the CPU.

8.2.5 DTC Transfer Count Register A (CRA)

CRA is a 16-bit register that designates the number of times data is to be transferred by the DTC.

In normal transfer mode, CRA functions as a 16-bit transfer counter (1 to 65,536). It is decremented by 1 every time data is transferred, and bit DTCEn ($n = 15$ to 0) corresponding to the activation source is cleared and then an interrupt is requested to the CPU when the count reaches H'0000. The transfer count is 1 when $CRA = H'0001$, 65,535 when $CRA = H'FFFF$, and 65,536 when $CRA = H'0000$.

In repeat transfer mode, CRA is divided into two parts: the upper eight bits (CRAH) and the lower eight bits (CRAL). CRAH holds the number of transfers while CRAL functions as an 8-bit transfer counter (1 to 256). CRAL is decremented by 1 every time data is transferred, and the contents of CRAH are sent to CRAL when the count reaches H'00. The transfer count is 1 when $CRAH = CRAL = H'01$, 255 when $CRAH = CRAL = H'FF$, and 256 when $CRAH = CRAL = H'00$.

In block transfer mode, CRA is divided into two parts: the upper eight bits (CRAH) and the lower eight bits (CRAL). CRAH holds the block size while CRAL functions as an 8-bit block-size counter (1 to 256 for byte, word, or longword). CRAL is decremented by 1 every time a byte (word or longword) data is transferred, and the contents of CRAH are sent to CRAL when the count reaches H'00. The block size is 1 byte (word or longword) when $CRAH = CRAL = H'01$, 255 bytes (words or longwords) when $CRAH = CRAL = H'FF$, and 256 bytes (words or longwords) when $CRAH = CRAL = H'00$.

CRA cannot be accessed directly from the CPU.

8.2.6 DTC Transfer Count Register B (CRB)

CRB is a 16-bit register that designates the number of times data is to be transferred by the DTC in block transfer mode. It functions as a 16-bit transfer counter (1 to 65,536) that is decremented by 1 every time data is transferred, and bit DTCE_n (n = 15 to 0) corresponding to the activation source is cleared and then an interrupt is requested to the CPU when the count reaches H'0000. The transfer count is 1 when CRB = H'0001, 65,535 when CRB = H'FFFF, and 65,536 when CRB = H'0000.

CRB is not available in normal and repeat modes and cannot be accessed directly by the CPU.

8.2.7 DTC Enable Registers A to H (DTCERA to DTCERH)

DTCER which is comprised of eight registers, DTCERA to DTCERH, is a register that specifies DTC activation interrupt sources. The correspondence between interrupt sources and DTCE bits is shown in table 8.1. Use bit manipulation instructions such as BSET and BCLR to read or write a DTCE bit. If all interrupts are masked, multiple activation sources can be set at one time (only at the initial setting) by writing data after executing a dummy read on the relevant register.

Bit	15	14	13	12	11	10	9	8
Bit Name	DTCE15	DTCE14	DTCE13	DTCE12	DTCE11	DTCE10	DTCE9	DTCE8
Initial Value	0	0	0	0	0	0	0	0
R/W	R/W	R/W	R/W	R/W	R/W	R/W	R/W	R/W
Bit	7	6	5	4	3	2	1	0
Bit Name	DTCE7	DTCE6	DTCE5	DTCE4	DTCE3	DTCE2	DTCE1	DTCE0
Initial Value	0	0	0	0	0	0	0	0
R/W	R/W	R/W	R/W	R/W	R/W	R/W	R/W	R/W

Bit	Bit Name	Initial Value	R/W	Description
15	DTCE15	0	R/W	DTC Activation Enable 15 to 0
14	DTCE14	0	R/W	Setting this bit to 1 specifies a relevant interrupt source to a DTC activation source.
13	DTCE13	0	R/W	[Clearing conditions]
12	DTCE12	0	R/W	<ul style="list-style-type: none"> When writing 0 to the bit to be cleared after reading 1
11	DTCE11	0	R/W	<ul style="list-style-type: none"> When the DISEL bit is 1 and one data transfer has ended
10	DTCE10	0	R/W	
9	DTCE9	0	R/W	<ul style="list-style-type: none"> When the specified number of transfers have ended
8	DTCE8	0	R/W	These bits are not cleared when the DISEL bit is 0 and the specified number of transfers have not ended
7	DTCE7	0	R/W	
6	DTCE6	0	R/W	
5	DTCE5	0	R/W	
4	DTCE4	0	R/W	
3	DTCE3	0	R/W	
2	DTCE2	0	R/W	
1	DTCE1	0	R/W	
0	DTCE0	0	R/W	

8.2.8 DTC Control Register (DTCCR)

DTCCR specifies DTC activation by software and transfer information read skip.

Bit	7	6	5	4	3	2	1	0
Bit Name	—	—	—	RRS	RCHNE	—	—	ERR
Initial Value	0	0	0	0	0	0	0	0
R/W	R	R	R	R/W	R/W	R	R	R/(W)*

Note: * Only 0 can be written to clear the flag.

Bit	Bit Name	Initial Value	R/W	Description
7 to 5	—	All 0	R	Reserved These bits are always read as 0. The write value should always be 0.
4	RRS	0	R/W	DTC Transfer Information Read Skip Enable Controls the vector address read and transfer information read. A DTC vector number is always compared with the vector number for the previous activation. If the vector numbers match and this bit is set to 1, the DTC data transfer is started without reading a vector address and transfer information. If the previous DTC activation is a chain transfer, the vector address read and transfer information read are always performed. 0: Transfer read skip is not performed. 1: Transfer read skip is performed when the vector numbers match.
3	RCHNE	0	R/W	Chain Transfer Enable After DTC Repeat Transfer Enables/disables the chain transfer while transfer counter (CRAL) is 0 in repeat transfer mode. In repeat transfer mode, the CRAH value is written to CRAL when CRAL is 0. Accordingly, chain transfer may not occur when CRAL is 0. If this bit is set to 1, the chain transfer is enabled when CRAH is written to CRAL. 0: Disables the chain transfer after repeat transfer 1: Enables the chain transfer after repeat transfer
2, 1	—	All 0	R	Reserved These bits are always read as 0 and cannot be modified.

Bit	Bit Name	Initial Value	R/W	Description
0	ERR	0	R/(W)*	Transfer Stop Flag Indicates that an address error or an NMI interrupt occurs. If an address error or an NMI interrupt occurs, the DTC stops. 0: No interrupt occurs 1: An interrupt occurs [Clearing condition] • When writing 0 after reading 1

Note: * Only 0 can be written to clear this flag.

8.2.9 DTC Vector Base Register (DTCVBR)

DTCVBR is a 32-bit register that specifies the base address for vector table address calculation. Bits 31 to 28 and bits 11 to 0 are fixed 0 and cannot be written to. The initial value of DTCVBR is H'00000000.

Bit	31	30	29	28	27	26	25	24	23	22	21	20	19	18	17	16
Bit Name																
Initial Value	0	0	0	0	0	0	0	0	0	0	0	0	0	0	0	0
R/W	R	R	R	R	R/W	R/W	R/W	R/W	R/W	R/W	R/W	R/W	R/W	R/W	R/W	R/W
Bit	15	14	13	12	11	10	9	8	7	6	5	4	3	2	1	0
Bit Name																
Initial Value	0	0	0	0	0	0	0	0	0	0	0	0	0	0	0	0
R/W	R/W	R/W	R/W	R/W	R	R	R	R	R	R	R	R	R	R	R	R

8.3 Activation Sources

The DTC is activated by an interrupt request. The interrupt source is selected by DTCER. A DTC activation source can be selected by setting the corresponding bit in DTCER; the CPU interrupt source can be selected by clearing the corresponding bit in DTCER. At the end of a data transfer (or the last consecutive transfer in the case of chain transfer), the activation source interrupt flag or corresponding DTCER bit is cleared.

8.4 Location of Transfer Information and DTC Vector Table

Locate the transfer information in the data area. The start address of transfer information should be located at the address that is a multiple of four ($4n$). Otherwise, the lower two bits are ignored during access ([1:0] = B'00.) Transfer information can be located in either short address mode (three longwords) or full address mode (four longwords). The DTCMD bit in SYSCR specifies either short address mode (DTCMD = 1) or full address mode (DTCMD = 0). For details, see section 3.2.2, System Control Register (SYSCR). Transfer information located in the data area is shown in figure 8.2

The DTC reads the start address of transfer information from the vector table according to the activation source, and then reads the transfer information from the start address. Figure 8.3 shows correspondences between the DTC vector address and transfer information.

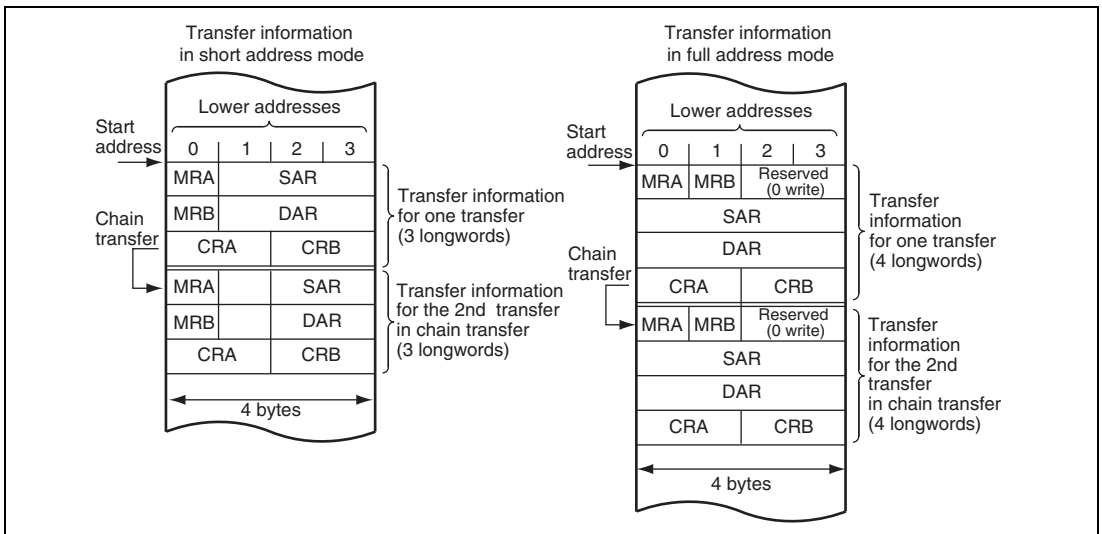


Figure 8.2 Transfer Information on Data Area

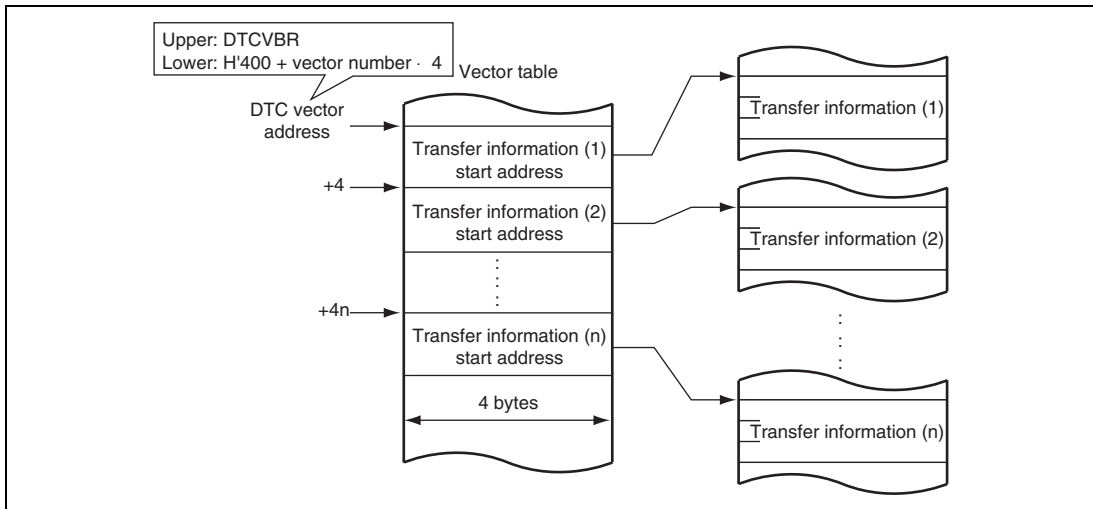


Figure 8.3 Correspondence between DTC Vector Address and Transfer Information

Origin of Activation Source	Activation Source	Vector Number	DTC Vector Address Offset	DTCE* ¹	Priority
TPU_3	TGI3A	101	H'594	DTCEB5	High ↑
	TGI3B	102	H'598	DTCEB4	
	TGI3C	103	H'59C	DTCEB3	
	TGI3D	104	H'5A0	DTCEB2	
TPU_4	TGI4A	106	H'5A8	DTCEB1	↑
	TGI4B	107	H'5AC	DTCEB0	
TPU_5	TGI5A	110	H'5B8	DTCEC15	
	TGI5B	111	H'5BC	DTCEC14	
DMAC	DMTEND0	128	H'600	DTCEC5	
	DMTEND1	129	H'604	DTCEC4	
	DMTEND2	130	H'608	DTCEC3	
	DMTEND3	131	H'60C	DTCEC2	
	DMEEND0	136	H'620	DTCED13	
	DMEEND1	137	H'624	DTCED12	
	DMEEND2	138	H'628	DTCED11	
	DMEEND3	139	H'62C	DTCED10	
SCI_3	RXI3	157	H'674	DTCEE15	
	TXI3	158	H'678	DTCEE14	
SCI_4	RXI4	161	H'684	DTCEE13	
	TXI4	162	H'688	DTCEE12	
TPU_6	TGI6A	164	H'690	DTCEE11	
	TGI6B	165	H'694	DTCEE10	
	TGI6C	166	H'698	DTCEE9	
	TGI6D	167	H'69C	DTCEE8	
TPU_7	TGI7A	169	H'6A4	DTCEE7	
	TGI7B	170	H'6A8	DTCEE6	
TPU_8	TGI8A	173	H'6B4	DTCEE5	
	TGI8B	174	H'6B8	DTCEE4	
TPU_9	TGI9A	177	H'6C4	DTCEE3	
	TGI9B	178	H'6C8	DTCEE2	
	TGI9C	179	H'6CC	DTCEE1	
	TGI9D	180	H'6D0	DTCEE0	Low

Origin of Activation Source	Activation Source	Vector Number	DTC Vector Address Offset	DTCE* ¹	Priority
TPU_10	TGI10A	182	H'6D8	DTCEF15	High ↑ Low
	TGI10B	183	H'6DC	DTCEF14	
	Reserved for system use	184	H'6E0	DTCEF13	
	Reserved for system use	185	H'6E4	DTCEF12	
	TCI10V* ²	186	H'6E8	DTCEF11	
TPU_11	TGI11A or reserved for system use	188	H'6F0	DTCEF10	Low
	TGI11B or reserved for system use	189	H'6F4	DTCEF9	

- Notes: 1. The DTCE bits with no corresponding interrupt are reserved, and the write value should always be 0. To leave software standby mode or all-module-clock-stop mode with an interrupt, write 0 to the corresponding DTCE bit.
2. TCI10V does not activate DTC.

8.5 Operation

The DTC stores transfer information in the data area. When activated, the DTC reads transfer information that is stored in the data area and transfers data on the basis of that transfer information. After the data transfer, it writes updated transfer information back to the data area. Since transfer information is in the data area, it is possible to transfer data over any required number of channels. There are three transfer modes: normal, repeat, and block.

The DTC specifies the source address and destination address in SAR and DAR, respectively. After a transfer, SAR and DAR are incremented, decremented, or fixed independently.

Table 8.2 shows the DTC transfer modes.

Table 8.2 DTC Transfer Modes

Transfer Mode	Size of Data Transferred at One Transfer Request	Memory Address Increment or Decrement	Transfer Count
Normal	1 byte/word/longword	Incremented/decremented by 1, 2, or 4, or fixed	1 to 65536
Repeat* ¹	1 byte/word/longword	Incremented/decremented by 1, 2, or 4, or fixed	1 to 256* ³
Block* ²	Block size specified by CRAH (1 to 256 bytes/words/longwords)	Incremented/decremented by 1, 2, or 4, or fixed	1 to 65536

Notes: 1. Either source or destination is specified to repeat area.
 2. Either source or destination is specified to block area.
 3. After transfer of the specified transfer count, initial state is recovered to continue the operation.

Setting the CHNE bit in MRB to 1 makes it possible to perform a number of transfers with a single activation (chain transfer). Setting the CHNS bit in MRB to 1 can also be made to have chain transfer performed only when the transfer counter value is 0.

Figure 8.4 shows a flowchart of DTC operation, and table 8.3 summarizes the chain transfer conditions (combinations for performing the second and third transfers are omitted).

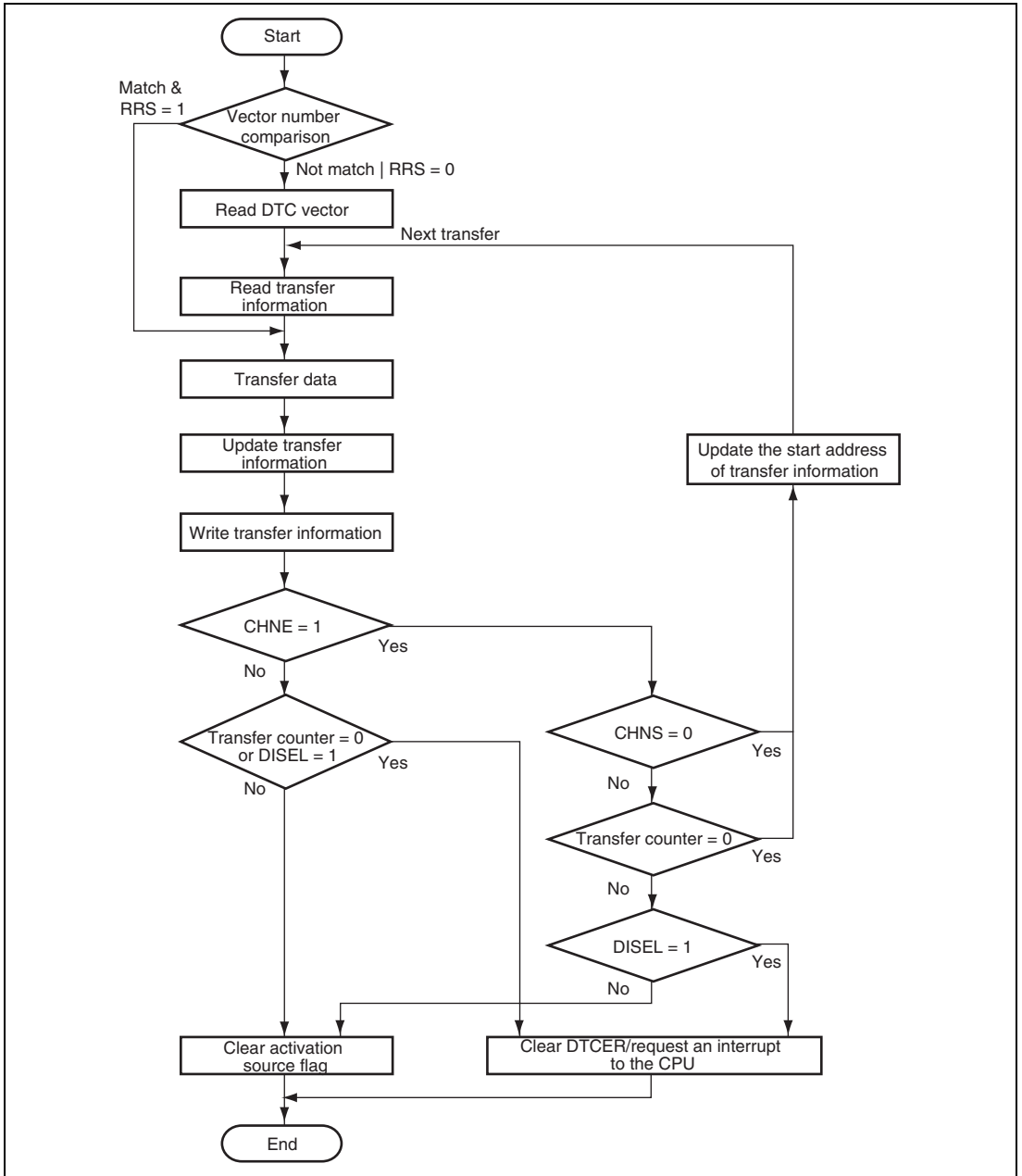


Figure 8.4 Flowchart of DTC Operation

Table 8.3 Chain Transfer Conditions

1st Transfer				2nd Transfer				DTC Transfer
CHNE	CHNS	DISEL	Transfer Counter* ¹	CHNE	CHNS	DISEL	Transfer Counter* ¹	
0	—	0	Not 0	—	—	—	—	Ends at 1st transfer
0	—	0	0* ²	—	—	—	—	Ends at 1st transfer
0	—	1	—	—	—	—	—	Interrupt request to CPU
1	0	—	—	0	—	0	Not 0	Ends at 2nd transfer
				0	—	0	0* ²	Ends at 2nd transfer
				0	—	1	—	Interrupt request to CPU
1	1	0	Not 0	—	—	—	—	Ends at 1st transfer
1	1	—	0* ²	0	—	0	Not 0	Ends at 2nd transfer
				0	—	0	0* ²	Ends at 2nd transfer
				0	—	1	—	Interrupt request to CPU
1	1	1	Not 0	—	—	—	—	Ends at 1st transfer
								Interrupt request to CPU

Notes: 1. CRA in normal mode transfer, CRAL in repeat transfer mode, or CRB in block transfer mode

2. When the contents of the CRAH is written to the CRAL in repeat transfer mode

8.5.1 Bus Cycle Division

When the address setting values in SAR and DAR do not match the boundary conditions of the transfer data size, the bus cycle is divided.

Table 8.4 shows the relationship among, SAR, DAR, transfer data size, bus cycle divisions, and access data size. Figure 8.5 shows the bus cycle division example.

Table 8.4 Number of Bus Cycle Divisions and Access Size

SAR and DAR Values	Specified Data Size		
	Byte (B)	Word (W)	Longword (LW)
Address 4n	1 (B)	1 (W)	1 (LW)
Address 2n + 1	1 (B)	2 (B-B)	3 (B-W-B)
Address 4n + 2	1 (B)	1 (W)	2 (W-W)

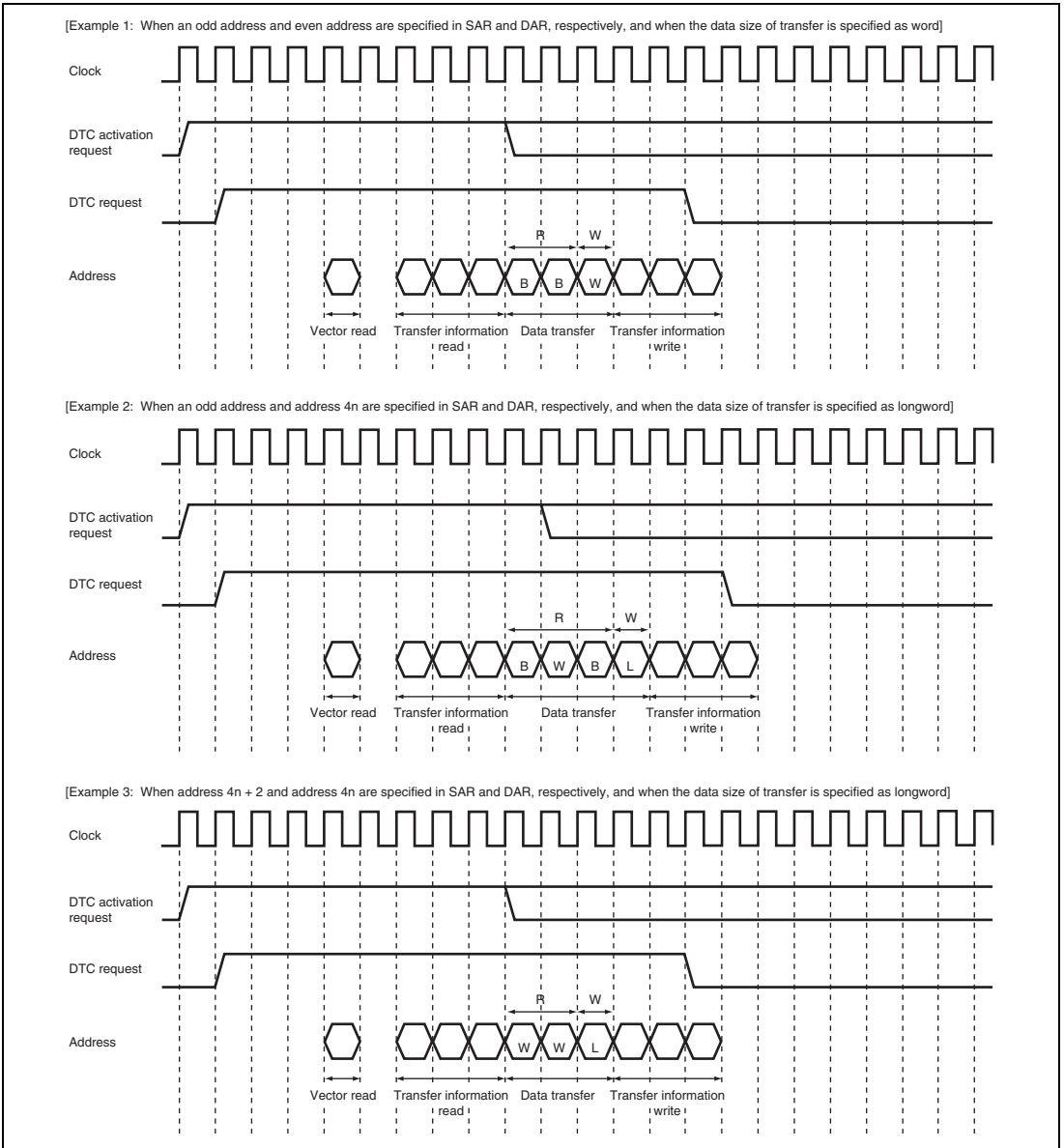


Figure 8.5 Bus Cycle Division Example

8.5.2 Transfer Information Read Skip Function

By setting the RRS bit of DTCCR, the vector address read and transfer information read can be skipped. The current DTC vector number is always compared with the vector number of previous activation. If the vector numbers match when $RRS = 1$, a DTC data transfer is performed without reading the vector address and transfer information. If the previous activation is a chain transfer, the vector address read and transfer information read are always performed. Figure 8.6 shows the transfer information read skip timing.

To modify the vector table and transfer information, temporarily clear the RRS bit to 0, modify the vector table and transfer information, and then set the RRS bit to 1 again. When the RRS bit is cleared to 0, the stored vector number is deleted, and the updated vector table and transfer information are read at the next activation.

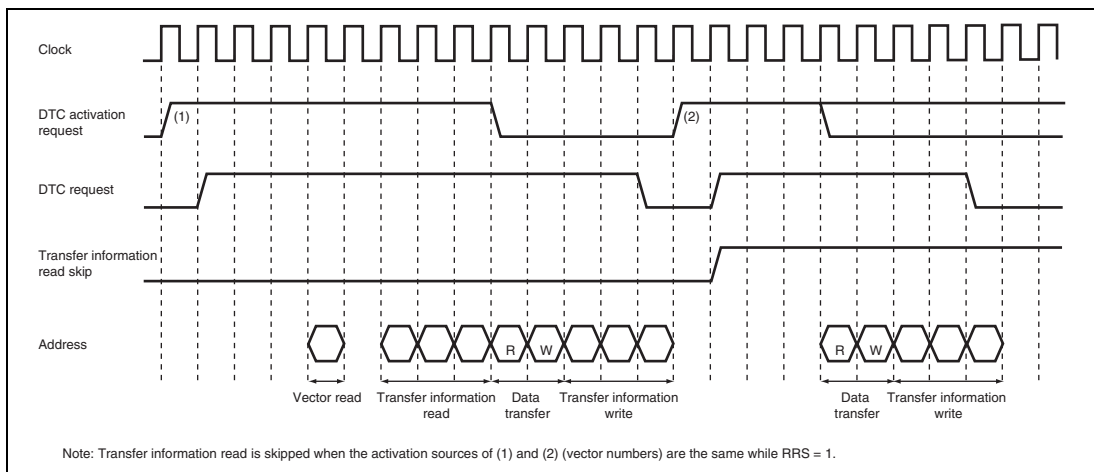


Figure 8.6 Transfer Information Read Skip Timing

8.5.3 Transfer Information Writeback Skip Function

By specifying bit SM1 in MRA and bit DM1 in MRB to the fixed address mode, a part of transfer information will not be written back. This function is performed regardless of short or full address mode. Table 8.5 shows the transfer information writeback skip condition and writeback skipped registers. Note that the CRA and CRB are always written back regardless of the short or full address mode. In addition in full address mode, the writeback of the MRA and MRB are always skipped.

Table 8.5 Transfer Information Writeback Skip Condition and Writeback Skipped Registers

SM1	DM1	SAR	DAR
0	0	Skipped	Skipped
0	1	Skipped	Written back
1	0	Written back	Skipped
1	1	Written back	Written back

8.5.4 Normal Transfer Mode

In normal transfer mode, one operation transfers one byte, one word, or one longword of data. From 1 to 65,536 transfers can be specified. The transfer source and destination addresses can be specified as incremented, decremented, or fixed. When the specified number of transfers ends, an interrupt can be requested to the CPU.

Table 8.6 lists the register function in normal transfer mode. Figure 8.7 shows the memory map in normal transfer mode.

Table 8.6 Register Function in Normal Transfer Mode

Register	Function	Written Back Value
SAR	Source address	Incremented/decremented/fixed*
DAR	Destination address	Incremented/decremented/fixed*
CRA	Transfer count A	CRA – 1
CRB	Transfer count B	Not updated

Note: * Transfer information writeback is skipped.

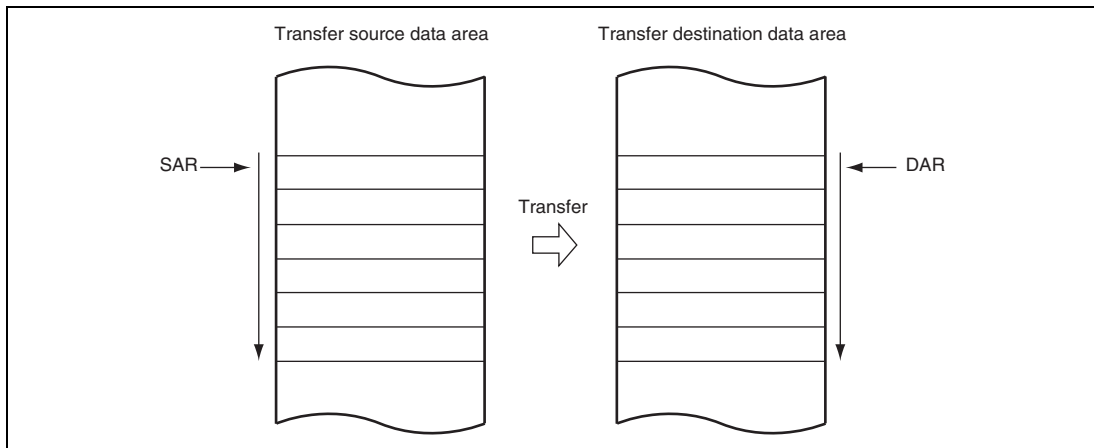


Figure 8.7 Memory Map in Normal Transfer Mode

8.5.5 Repeat Transfer Mode

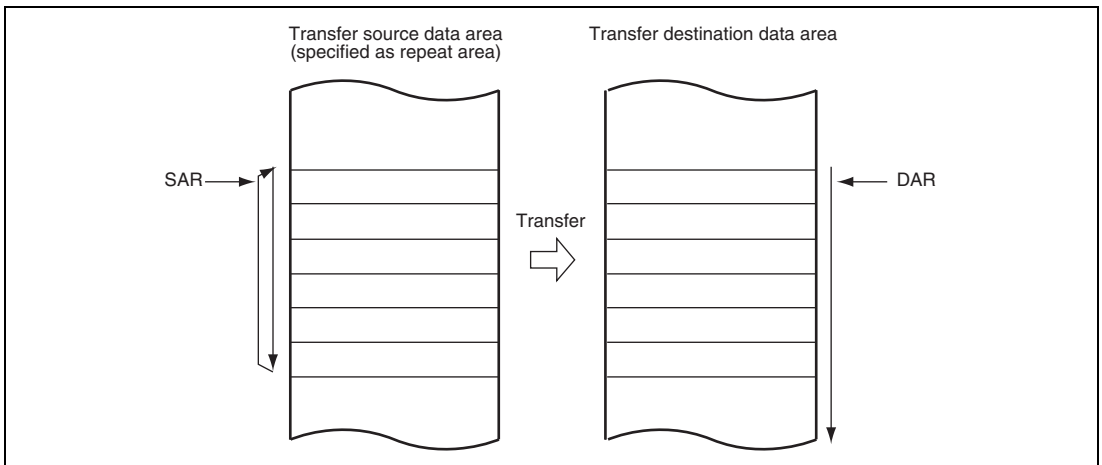
In repeat transfer mode, one operation transfers one byte, one word, or one longword of data. By the DTS bit in MRB, either the source or destination can be specified as a repeat area. From 1 to 256 transfers can be specified. When the specified number of transfers ends, the transfer counter and address register specified as the repeat area is restored to the initial state, and transfer is repeated. The other address register is then incremented, decremented, or left fixed. In repeat transfer mode, the transfer counter (CRAL) is updated to the value specified in CRAH when CRAL becomes H'00. Thus the transfer counter value does not reach H'00, and therefore a CPU interrupt cannot be requested when DISEL = 0.

Table 8.7 lists the register function in repeat transfer mode. Figure 8.8 shows the memory map in repeat transfer mode.

Table 8.7 Register Function in Repeat Transfer Mode

Register	Function	Written Back Value	
		CRAL is not 1	CRAL is 1
SAR	Source address	Incremented/decremented/fixed*	DTS = 0: Incremented/ decremented/fixed* DTS = 1: SAR initial value
DAR	Destination address	Incremented/decremented/fixed*	DTS = 0: DAR initial value DTS = 1: Incremented/ decremented/fixed*
CRAH	Transfer count storage	CRAH	CRAH
CRAL	Transfer count A	CRAL - 1	CRAH
CRB	Transfer count B	Not updated	Not updated

Note: * Transfer information writeback is skipped.



**Figure 8.8 Memory Map in Repeat Transfer Mode
(When Transfer Source is Specified as Repeat Area)**

8.5.6 Block Transfer Mode

In block transfer mode, one operation transfers one block of data. Either the transfer source or the transfer destination is designated as a block area by the DTS bit in MRB.

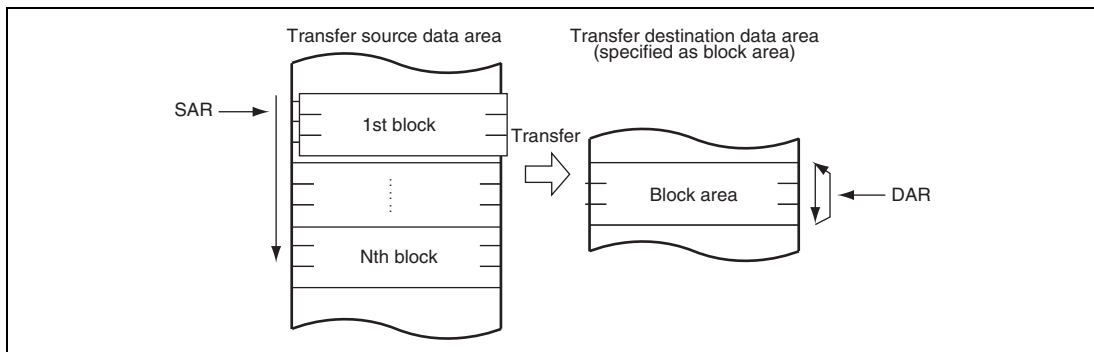
The block size is 1 to 256 bytes (1 to 256 words, or 1 to 256 longwords). When the transfer of one block ends, the block size counter (CRAL) and address register (SAR when DTS = 1 or DAR when DTS = 0) specified as the block area is restored to the initial state. The other address register is then incremented, decremented, or left fixed. From 1 to 65,536 transfers can be specified. When the specified number of transfers ends, an interrupt is requested to the CPU.

Table 8.8 lists the register function in block transfer mode. Figure 8.9 shows the memory map in block transfer mode.

Table 8.8 Register Function in Block Transfer Mode

Register	Function	Written Back Value
SAR	Source address	DTS = 0: Incremented/decremented/fixed* DTS = 1: SAR initial value
DAR	Destination address	DTS = 0: DAR initial value DTS = 1: Incremented/decremented/fixed*
CRAH	Block size storage	CRAH
CRAL	Block size counter	CRAH
CRB	Block transfer counter	CRB - 1

Note: * Transfer information writeback is skipped.



**Figure 8.9 Memory Map in Block Transfer Mode
(When Transfer Destination is Specified as Block Area)**

8.5.7 Chain Transfer

Setting the CHNE bit in MRB to 1 enables a number of data transfers to be performed consecutively in response to a single transfer request. Setting the CHNE and CHNS bits in MRB set to 1 enables a chain transfer only when the transfer counter reaches 0. SAR, DAR, CRA, CRB, MRA, and MRB, which define data transfers, can be set independently. Figure 8.10 shows the chain transfer operation.

In the case of transfer with CHNE set to 1, an interrupt request to the CPU is not generated at the end of the specified number of transfers or by setting the DISEL bit to 1, and the interrupt source flag for the activation source and DTCER are not affected.

In repeat transfer mode, setting the RCHNE bit in DTCCR and the CHNE and CHNS bits in MRB to 1 enables a chain transfer after transfer with transfer counter = 1 has been completed.

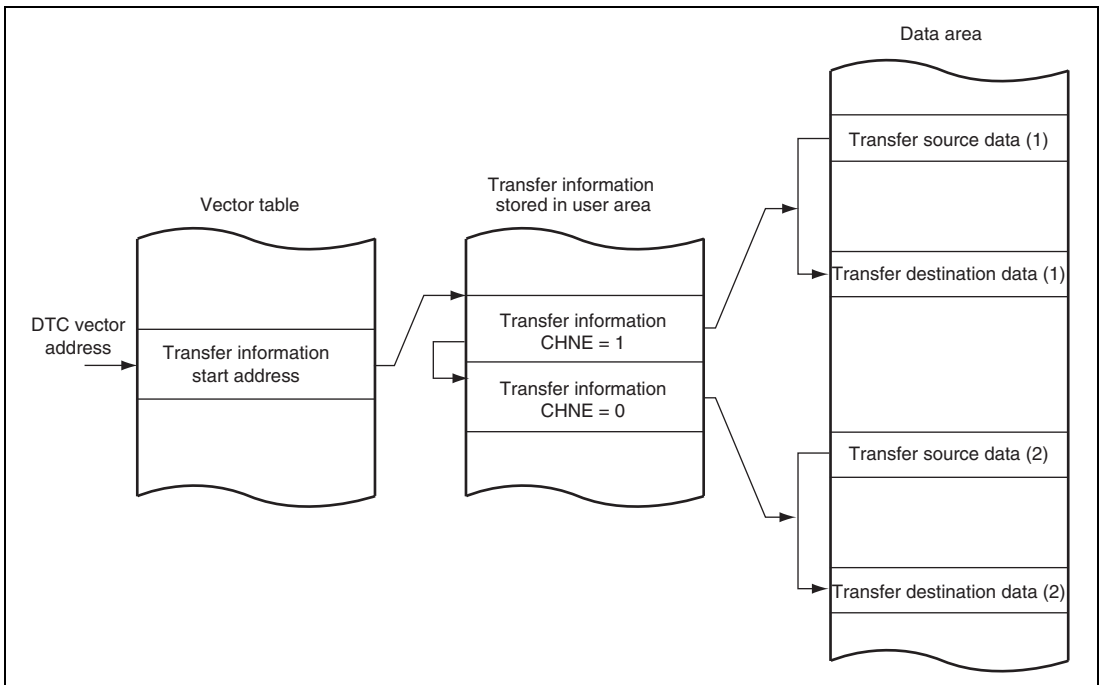


Figure 8.10 Operation of Chain Transfer

8.5.8 Operation Timing

Figures 8.11 to 8.14 show the DTC operation timings.

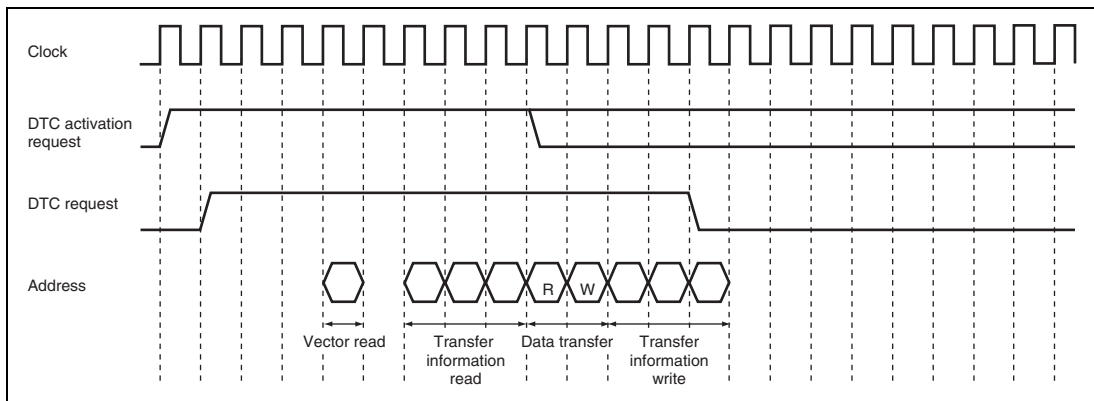


Figure 8.11 DTC Operation Timing

(Example of Short Address Mode in Normal Transfer Mode or Repeat Transfer Mode)

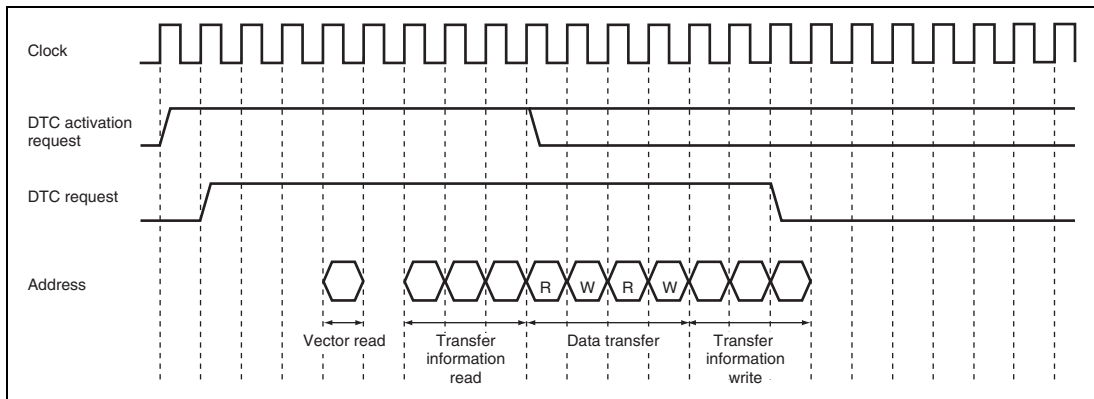


Figure 8.12 DTC Operation Timing

(Example of Short Address Mode in Block Transfer Mode with Block Size of 2)

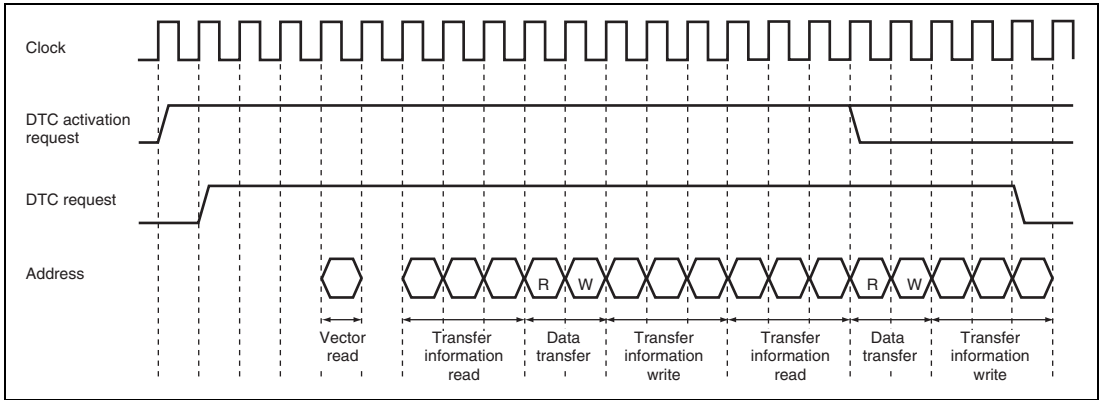


Figure 8.13 DTC Operation Timing (Example of Short Address Mode in Chain Transfer)

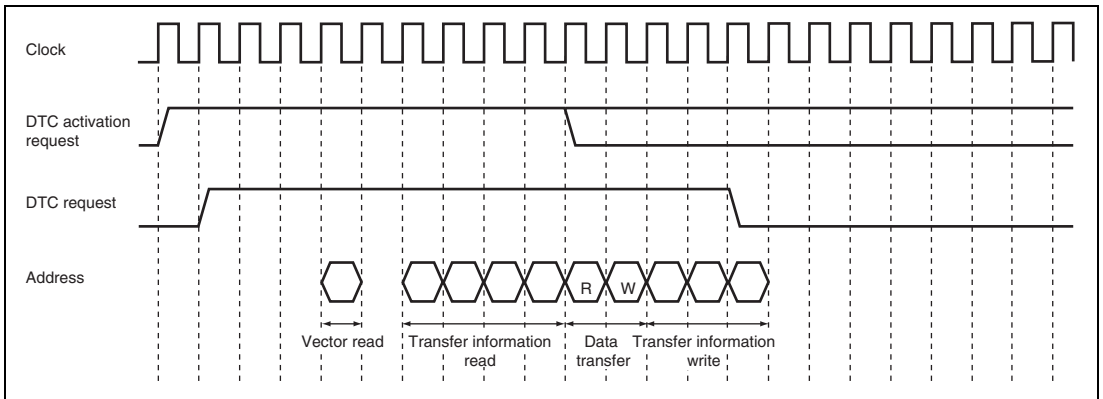


Figure 8.14 DTC Operation Timing (Example of Full Address Mode in Normal Transfer Mode or Repeat Transfer Mode)

8.5.9 Number of DTC Execution Cycles

Table 8.9 shows the execution status for a single DTC data transfer, and table 8.10 shows the number of cycles required for each execution.

Table 8.9 DTC Execution Status

Mode	Vector Read I	Transfer Information Read J			Transfer Information Write L			Data Read L			Data Write M			Internal Operation N		
		0* ¹	4* ²	3* ³	0* ¹	3* ^{2,3}	2* ⁴	1* ⁵	3* ⁶	2* ⁷	1	3* ⁶	2* ⁷		1	
Normal	1	0* ¹	4* ²	3* ³	0* ¹	3* ^{2,3}	2* ⁴	1* ⁵	3* ⁶	2* ⁷	1	3* ⁶	2* ⁷	1	1	0* ¹
Repeat	1	0* ¹	4* ²	3* ³	0* ¹	3* ^{2,3}	2* ⁴	1* ⁵	3* ⁶	2* ⁷	1	3* ⁶	2* ⁷	1	1	0* ¹
Block transfer	1	0* ¹	4* ²	3* ³	0* ¹	3* ^{2,3}	2* ⁴	1* ⁵	3•P * ⁶	2•P* ⁷	1•P	3•P * ⁶	2•P* ⁷	1•P	1	0* ¹

[Legend]

P: Block size (CRAH and CRAL value)

- Notes:
1. When transfer information read is skipped
 2. In full address mode operation
 3. In short address mode operation
 4. When the SAR or DAR is in fixed mode
 5. When the SAR and DAR are in fixed mode
 6. When a longword is transferred while an odd address is specified in the address register
 7. When a word is transferred while an odd address is specified in the address register or when a longword is transferred while address $4n + 2$ is specified
- P: Block size (initial setting of CRAH and CRAL)

Table 8.10 Number of Cycles Required for Each Execution State

Object to be Accessed	On-Chip RAM					On-Chip ROM			On-Chip I/O Registers				External Devices			
	32	32	8	16	32	8	16	32	8	16	32	8	16	32		
Bus width	32	32	8	16	32	8	16	32	8	16	32	8	16	32		
Access cycles	1	1	2	2	2	2	3	2	3	2	3	2	3	2		
Execution status	Vector read S_i	1	1	—	—	—	8	12 + 4m	4	6 + 2m	2	3 + m	2	3 + m		
	Transfer information read S_j	1	1	—	—	—	8	12 + 4m	4	6 + 2m	2	3 + m	2	3 + m		
	Transfer information write S_k	1	1	—	—	—	8	12 + 4m	4	6 + 2m	2	3 + m	2	3 + m		
	Byte data read S_L	1	1	2	2	2	2	3 + m	2	3 + m	2	3 + m	2	3 + m		
	Word data read S_L	1	1	4	2	2	4	4 + 2m	2	3 + m	2	3 + m	2	3 + m		
	Longword data read S_L	1	1	8	4	2	8	12 + 4m	4	6 + 2m	2	3 + m	2	3 + m		
	Byte data write S_M	1	1	2	2	2	2	3 + m	2	3 + m	2	3 + m	2	3 + m		
	Word data write S_M	1	1	4	2	2	4	4 + 2m	2	3 + m	2	3 + m	2	3 + m		
	Longword data write S_M	1	1	8	4	2	8	12 + 4m	4	6 + 2m	2	3 + m	2	3 + m		
Internal operation S_N	1															

[Legend]

m: Number of wait cycles 0 to 7 (For details, see section 6, Bus Controller (BSC).)

The number of execution cycles is calculated from the formula below. Note that Σ means the sum of all transfers activated by one activation event (the number in which the CHNE bit is set to 1, plus 1).

$$\text{Number of execution cycles} = I \cdot S_i + \Sigma (J \cdot S_j + K \cdot S_k + L \cdot S_L + M \cdot S_M) + N \cdot S_N$$

8.5.10 DTC Bus Release Timing

The DTC requests the bus mastership to the bus arbiter when an activation request occurs. The DTC releases the bus after a vector read, transfer information read, a single data transfer, or transfer information writeback. The DTC does not release the bus during transfer information read, single data transfer, or transfer information writeback.

8.5.11 DTC Priority Level Control to the CPU

The priority of the DTC activation sources over the CPU can be controlled by the CPU priority level specified by bits CPUP2 to CPUP0 in CPUPCR and the DTC priority level specified by bits DTCP2 to DTCP0. For details, see section 5, Interrupt Controller.

8.6 DTC Usage Procedure

8.6.1 Activation by Interrupt

The procedure for using the DTC with interrupt activation is shown below.

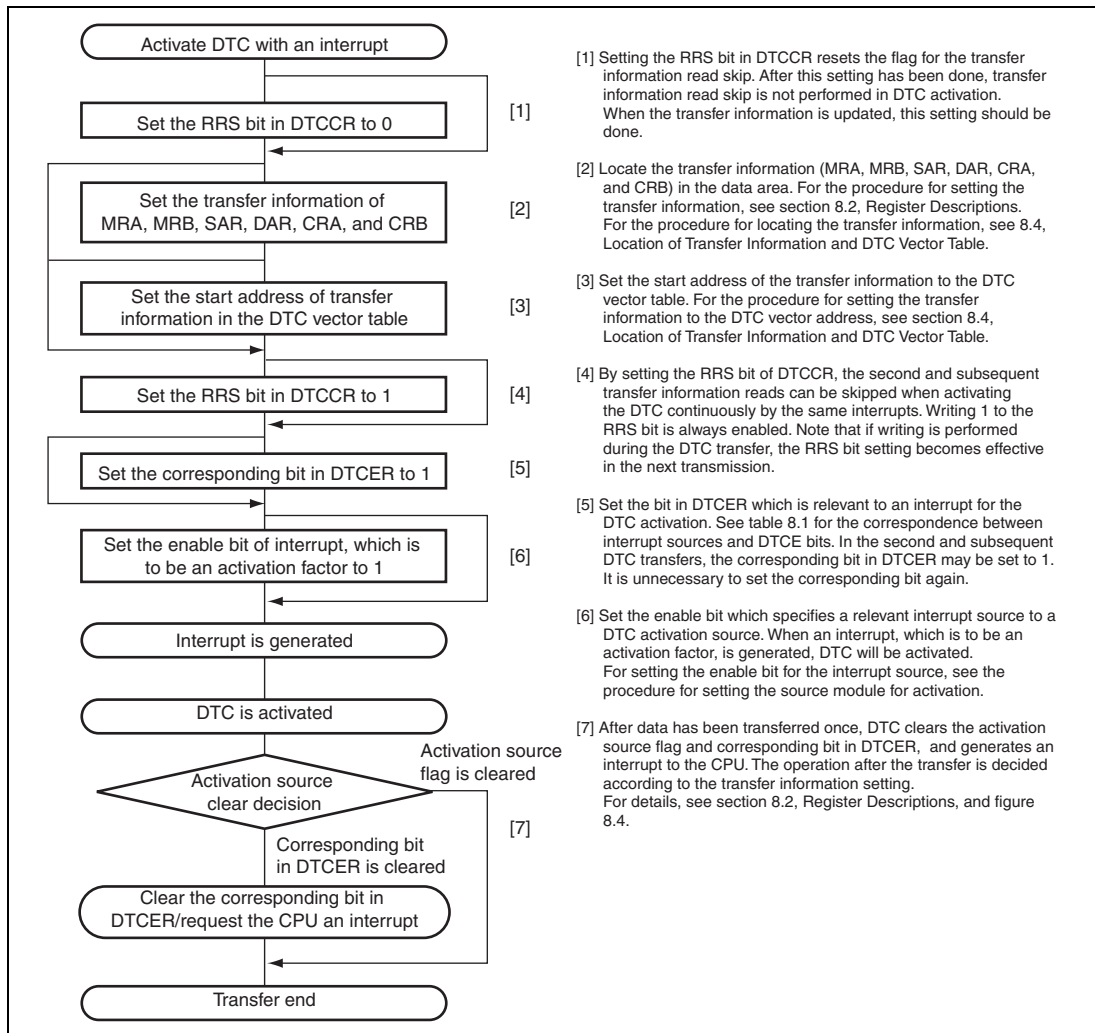


Figure 8.15 Using DTC with Interrupt Activation

8.7 Examples of Use of the DTC

8.7.1 Normal Transfer Mode

An example is shown in which the DTC is used to receive 128 bytes of data via the SCI.

1. Set MRA to fixed source address ($SM1 = SM0 = 0$), incrementing destination address ($DM1 = 1, DM0 = 0$), normal transfer mode ($MD1 = MD0 = 0$), and byte size ($Sz1 = Sz0 = 0$). The DTS bit can have any value. Set MRB for one data transfer by one interrupt ($CHNE = 0, DISEL = 0$). Set the RDR address of the SCI in SAR, the start address of the RAM area where the data will be received in DAR, and 128 (H'0080) in CRA. CRB can be set to any value.
2. Set the start address of the transfer information for an RXI interrupt at the DTC vector address.
3. Set the corresponding bit in DTCER to 1.
4. Set the SCI to the appropriate receive mode. Set the RIE bit in SCR to 1 to enable the receive end (RXI) interrupt. Since the generation of a receive error during the SCI reception operation will disable subsequent reception, the CPU should be enabled to accept receive error interrupts.
5. Each time reception of one byte of data ends on the SCI, the RDRF flag in SSR is set to 1, an RXI interrupt is generated, and the DTC is activated. The receive data is transferred from RDR to RAM by the DTC. DAR is incremented and CRA is decremented. The RDRF flag is automatically cleared to 0.
6. When CRA becomes 0 after the 128 data transfers have ended, the RDRF flag is held at 1, the DTCE bit is cleared to 0, and an RXI interrupt request is sent to the CPU. Termination processing should be performed in the interrupt handling routine.

8.7.2 Chain Transfer

An example of DTC chain transfer is shown in which pulse output is performed using the PPG. Chain transfer can be used to perform pulse output data transfer and PPG output trigger cycle updating. Repeat mode transfer to the PPG's NDR is performed in the first half of the chain transfer, and normal mode transfer to the TPU's TGR in the second half. This is because clearing of the activation source and interrupt generation at the end of the specified number of transfers are restricted to the second half of the chain transfer (transfer when CHNE = 0).

1. Perform settings for transfer to the PPG's NDR. Set MRA to source address incrementing (SM1 = 1, SM0 = 0), fixed destination address (DM1 = DM0 = 0), repeat mode (MD1 = 0, MD0 = 1), and word size (Sz1 = 0, Sz0 = 1). Set the source side as a repeat area (DTS = 1). Set MRB to chain transfer mode (CHNE = 1, CHNS = 0, DISEL = 0). Set the data table start address in SAR, the NDRH address in DAR, and the data table size in CRAH and CRAL. CRB can be set to any value.
2. Perform settings for transfer to the TPU's TGR. Set MRA to source address incrementing (SM1 = 1, SM0 = 0), fixed destination address (DM1 = DM0 = 0), normal mode (MD1 = MD0 = 0), and word size (Sz1 = 0, Sz0 = 1). Set the data table start address in SAR, the TGRA address in DAR, and the data table size in CRA. CRB can be set to any value.
3. Locate the TPU transfer information consecutively after the NDR transfer information.
4. Set the start address of the NDR transfer information to the DTC vector address.
5. Set the bit corresponding to the TGIA interrupt in DTCER to 1.
6. Set TGRA as an output compare register (output disabled) with TIOR, and enable the TGIA interrupt with TIER.
7. Set the initial output value in PODR, and the next output value in NDR. Set bits in DDR and NDER for which output is to be performed to 1. Using PCR, select the TPU compare match to be used as the output trigger.
8. Set the CST bit in TSTR to 1, and start the TCNT count operation.
9. Each time a TGRA compare match occurs, the next output value is transferred to NDR and the set value of the next output trigger period is transferred to TGRA. The activation source TGFA flag is cleared.
10. When the specified number of transfers are completed (the TPU transfer CRA value is 0), the TGFA flag is held at 1, the DTCE bit is cleared to 0, and a TGIA interrupt request is sent to the CPU. Termination processing should be performed in the interrupt handling routine.

8.7.3 Chain Transfer when Counter = 0

By executing a second data transfer and performing re-setting of the first data transfer only when the counter value is 0, it is possible to perform 256 or more repeat transfers.

An example is shown in which a 128-kbyte input buffer is configured. The input buffer is assumed to have been set to start at lower address H'0000. Figure 8.16 shows the chain transfer when the counter value is 0.

1. For the first transfer, set the normal transfer mode for input data. Set the fixed transfer source address (G/A etc.), CRA = H'0000 (64k times), CHNE = 1, CHNS = 1, and DISEL = 0.
2. Prepare the upper 8-bit addresses of the start addresses for 64k-transfer units for the first data transfer in a separate area (in ROM, etc.). For example, if the input buffer is configured at addresses H'200000 to H'21FFFF, prepare H'21 and H'20.
3. For the second transfer, set repeat transfer mode (with the source side as the repeat area) for re-setting the transfer destination address for the first data transfer. Use the upper eight bits of DAR in the first transfer information area as the transfer destination. Set CHNE = DISEL = 0. If the above input buffer is specified as H'200000 to H'21FFFF, set the transfer counter to 2.
4. Execute the first data transfer 64k times by means of interrupts. When the transfer counter for the first data transfer reaches 0, the second data transfer is started. Set the upper eight bits of the transfer source address for the first data transfer to H'21. The lower 16 bits of the transfer destination address of the first data transfer and the transfer counter are H'0000.
5. Next, execute the first data transfer the 64k times specified for the first data transfer by means of interrupts. When the transfer counter for the first data transfer reaches 0, the second data transfer is started. Set the upper eight bits of the transfer source address for the first data transfer to H'20. The lower 16 bits of the transfer destination address of the first data transfer and the transfer counter are H'0000.
6. Steps 4 and 5 are repeated endlessly. As repeat mode is specified for the second data transfer, no interrupt request is sent to the CPU.

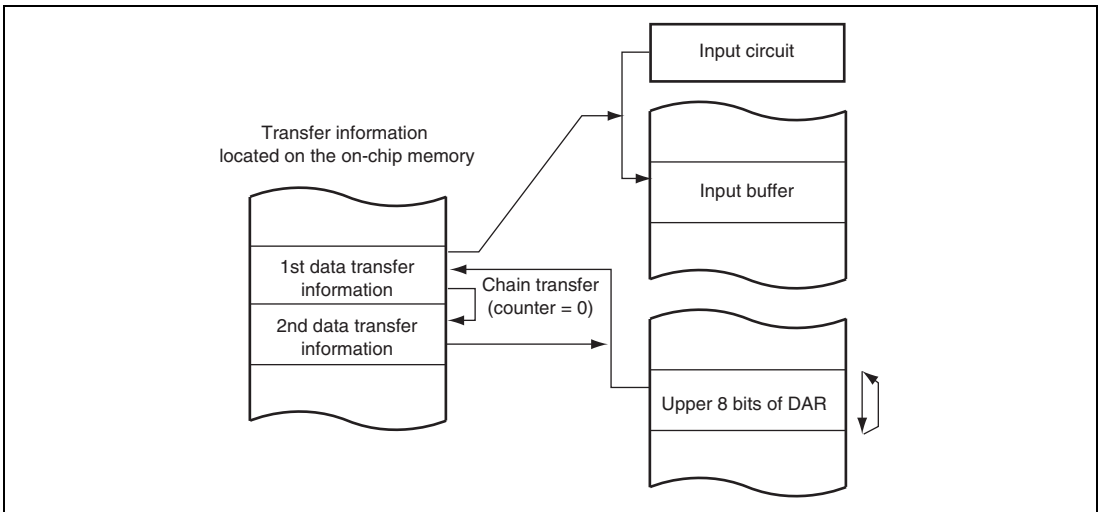


Figure 8.16 Chain Transfer when Counter = 0

8.8 Interrupt Sources

An interrupt request is issued to the CPU when the DTC finishes the specified number of data transfers or a data transfer for which the DISEL bit was set to 1. In the case of interrupt activation, the interrupt set as the activation source is generated. These interrupts to the CPU are subject to CPU mask level and priority level control in the interrupt controller.

8.9 Usage Notes

8.9.1 Module Stop Mode Setting

Operation of the DTC can be disabled or enabled using the module stop control register. The initial setting is for operation of the DTC to be enabled. Register access is disabled by setting module stop mode. Module stop mode cannot be set while the DTC is activated. For details, see section 19, Power-Down Modes.

8.9.2 On-Chip RAM

Transfer information can be located in on-chip RAM. In this case, the RAME bit in SYSCR must not be cleared to 0.

8.9.3 DMAC Transfer End Interrupt

When DTC is activated by the DMAC transfer end interrupt, the data in the DTE bit in DMDR has priority over the DTC control regardless of the transfer counter or the DISEL bit. Therefore, an interrupt to CPU may not be generated even if the DTC transfer counter becomes 0.

8.9.4 DTCE Bit Setting

For DTCE bit setting, use bit manipulation instructions such as BSET and BCLR. If all interrupts are disabled, multiple activation sources can be set at one time (only at the initial setting) by writing data after executing a dummy read on the relevant register.

8.9.5 Chain Transfer

When chain transfer is used, clearing of the activation source or DTCER is performed when the last of the chain of data transfers is executed. SCI and high-speed A/D converter interrupt/activation sources, on the other hand, are cleared when the DTC reads or writes to the relevant register.

Therefore, when the DTC is activated by an interrupt or activation source, if a read/write of the relevant register is not included in the last chained data transfer, the interrupt or activation source will be retained.

8.9.6 Transfer Information Start Address, Source Address, and Destination Address

The transfer information start address to be specified in the vector table should be address $4n$. If an address other than address $4n$ is specified, the lower 2 bits of the address are regarded as 0s.

The source and destination addresses specified in SAR and DAR, respectively, will be transferred in the divided bus cycles depending on the address and data size.

8.9.7 Endian

The DTC supports both big-endian and little-endian formats. The endian format should be the same when the transfer information is written to and when the transfer information is read by the DTC.

Section 9 I/O Ports

Table 9.1 summarizes the port functions. The pins of each port also have other functions such as input/output pins of on-chip peripheral modules or external interrupt input pins. Each I/O port includes a data direction register (DDR) that controls input/output, a data register (DR) that stores output data, a port register (PORT) used to read the pin states, and an input buffer control register (ICR) that controls input buffer on/off. Ports 4 and 5 do not have a DR or a DDR register.

Ports D, H, I, J and K have internal input pull-up MOSs and a pull-up MOS control register (PCR) that controls the on/off state of the input pull-up MOSs.

Port 2 includes an open-drain control register (ODR) that controls on/off of the output buffer PMOSs.

Ports 1, 2, 3, 6, A, B, D, H, I, J, and K can drive a single TTL load and capacitive loads up to 30 pF.

All of the I/O ports can drive Darlington transistors when functioning as output ports.

Schmitt-trigger inputs are enabled when a port is used as the $\overline{\text{IRQ}}$ and TPU inputs.

Table 9.1 Port Functions

Port	Description	Bit	Function			Schmitt-Trigger Input*1	Input Pull-up MOS Function	Open-Drain Output Function
			I/O	Input	Output			
Port 1	General I/O port also functioning as interrupt inputs, SCI I/Os, and A/D converter inputs	7	P17	$\overline{\text{ADTRG1}}/\overline{\text{IRQ7}}$	—	$\overline{\text{IRQ7}}$	—	—
		6	P16/SCK3	$\overline{\text{IRQ6}}$	—	$\overline{\text{IRQ6}}$	—	—
		5	P15	RxD3/ $\overline{\text{IRQ5}}$	—	$\overline{\text{IRQ5}}$	—	—
		4	P14	$\overline{\text{IRQ4}}$	TxD3	$\overline{\text{IRQ4}}$	—	—
		3	P13	$\overline{\text{ADTRG0}}/\overline{\text{IRQ3}}$	—	$\overline{\text{IRQ3}}$	—	—
		2	P12	$\overline{\text{IRQ2}}$	—	$\overline{\text{IRQ2}}$	—	—
		1	P11	$\overline{\text{IRQ1}}$	—	$\overline{\text{IRQ1}}$	—	—
		0	P10	$\overline{\text{IRQ0}}$	—	$\overline{\text{IRQ0}}$	—	—

Port	Description	Bit	Function			Schmitt-Trigger Input *1	Input Pull-up MOS Function	Open-Drain Output Function
			I/O	Input	Output			
Port 2	General I/O port also functioning as interrupt inputs, TPU I/Os, and SSU I/Os	7	P27/ TIOCB5	$\overline{\text{IRQ15-A}}$ / TIOCA5	—	P27, TIOCA5, TIOCB5, $\overline{\text{IRQ15-A}}$	—	O
		6	P26/ TIOCA5	$\overline{\text{IRQ14-A}}$	—	P26, TIOCA5, $\overline{\text{IRQ14-A}}$		
		5	P25/ TIOCA4	$\overline{\text{IRQ13-A}}$	—	P25, $\overline{\text{IRQ13-A}}$, TIOCA4		
		4	P24/ TIOCB4	TIOCA4/ $\overline{\text{IRQ12-A}}$	—	P24, TIOCA4, TIOCB4, $\overline{\text{IRQ12-A}}$		
		3	P23/ TIOCD3	TIOCC3/ $\overline{\text{IRQ11-A}}$	—	P23, TIOCC3, TIOCD3, $\overline{\text{IRQ11-A}}$		
		2	P22/ TIOCC3	$\overline{\text{IRQ10-A}}$	—	P22, TIOCC3, $\overline{\text{IRQ10-A}}$		
		1	P21/ TIOCA3/ SCS2	$\overline{\text{IRQ9-A}}$	—	P21, TIOCA3, $\overline{\text{IRQ9-A}}$		
		0	P20/ TIOCB3	TIOCA3/ $\overline{\text{IRQ8-A}}$	—	P20, TIOCA3, TIOCB3, $\overline{\text{IRQ8-A}}$		

Port	Description	Bit	Function			Schmitt-Trigger Input *1	Input Pull-up MOS Function	Open-Drain Output Function
			I/O	Input	Output			
Port 3	General I/O port also functioning as PPG outputs and TPU I/Os	7	P37/ TIOCB2	TIOCA2/ TCLKD	PO15	P37, TIOCA2, TIOCB2, TCLKD	—	—
		6	P36/ TIOCA2	—	PO14	P36, TIOCA2		
		5	P35/ TIOCB1	TIOCA1/ TCLKC	PO13	P35, TIOCA1, TIOCB1, TCLKC		
		4	P34/ TIOCA1	—	PO12	P34, TIOCA1		
		3	P33/ TIOCD0	TIOCC0/ TCLKB	PO11	P33, TIOCC0, TIOCD0, TCLKB		
		2	P32/ TIOCC0	TCLKA	PO10	P32, TIOCC0, TCLKA		
		1	P31/ TIOCB0	TIOCA0	PO9	P31, TIOCA0, TIOCB0		
		0	P30/ TIOCA0	—	PO8	P30, TIOCA0		
Port 4	General I/O port also functioning as A/D converter inputs	7	—	P47/AN11	—	—	—	—
		6	—	P46/AN10	—			
		5	—	P45/AN9	—			
		4	—	P44/AN8	—			
		3	—	P43/AN15	—			
		2	—	P42/AN14	—			
		1	—	P41/AN13	—			
		0	—	P40/AN12	—			

Port	Description	Bit	Function			Schmitt-Trigger Input *1	Input Pull-up MOS Function	Open-Drain Output Function
			I/O	Input	Output			
Port 5	General I/O port also functioning as A/D converter inputs	7	—	P57/AN7	—	—	—	—
		6	—	P56/AN6	—	—	—	—
		5	—	P55/AN5	—	—	—	—
		4	—	P54/AN4	—	—	—	—
		3	—	P53/AN3	—	—	—	—
		2	—	P52/AN2	—	—	—	—
		1	—	P51/AN1	—	—	—	—
		0	—	P50/AN0	—	—	—	—
Port 6	General I/O port also functioning as SCI I/Os, and interrupt inputs	7	P67	$\overline{\text{IRQ15-B}}$	—	$\overline{\text{IRQ15-B}}$	—	—
		6	P66	$\overline{\text{IRQ14-B}}$	—	$\overline{\text{IRQ14-B}}$	—	—
		5	P65	$\overline{\text{IRQ13-B}}$	—	$\overline{\text{IRQ13-B}}$	—	—
		4	P64	$\overline{\text{IRQ12-B}}$	—	$\overline{\text{IRQ12-B}}$	—	—
		3	P63	$\overline{\text{IRQ11-B}}$	—	$\overline{\text{IRQ11-B}}$	—	—
		2	P62/SCK4	$\overline{\text{IRQ10-B}}$	—	$\overline{\text{IRQ10-B}}$	—	—
		1	P61	RxD4/ $\overline{\text{IRQ9-B}}$	—	$\overline{\text{IRQ9-B}}$	—	—
		0	P60	$\overline{\text{IRQ8-B}}$	TxD4	$\overline{\text{IRQ8-B}}$	—	—
Port A	General I/O port also functioning as SSU I/Os and B ϕ output	7	—	PA7	B ϕ	—	—	O
		6	PA6	—	—	—	—	Only for SSU
		5	PA5	—	—	—	—	SSU
		4	PA4	—	—	—	—	—
		3	PA3/SSO2	—	—	—	—	—
		2	PA2/SSI2	—	—	—	—	—
		1	PA1/SSCK2	—	—	—	—	—
		0	PA0	—	—	—	—	—
Port B	General I/O port	2	PB2	—	—	—	—	—
		1	PB1	—	—	—	—	—
		0	PB0	—	—	—	—	—

Port	Description	Bit	I/O	Function		Schmitt-Trigger Input *1	Input Pull-up MOS Function	Open-Drain Output Function
				Input	Output			
Port D	General I/O port also functioning as SSU I/Os	7	PD7/ $\overline{\text{SCS1}}$	—	—	—	O	O
		6	PD6/SSCK1	—	—			Only for SSU
		5	PD5/SSI1	—	—			
		4	PD4/SSO1	—	—			
		3	PD3/ $\overline{\text{SCS0}}$	—	—			
		2	PD2/SSCK0	—	—			
		1	PD1/SSI0	—	—			
		0	PD0/SSO0	—	—			
Port H	General I/O port	7	PH7	—	—	—	O	—
		6	PH6	—	—			
		5	PH5	—	—			
		4	PH4	—	—			
		3	PH3	—	—			
		2	PH2	—	—			
		1	PH1	—	—			
		0	PH0	—	—			
Port I	General I/O port	7	PI7	—	—	—	O	—
		6	PI6	—	—	—		
		5	PI5	—	—	—		
		4	PI4	—	—	—		
		3	PI3	—	—	—		
		2	PI2	—	—	—		
		1	PI1	—	—	—		
		0	PI0	—	—	—		

Port	Description	Bit	Function			Schmitt-Trigger Input * ¹	Input Pull-up MOS Function	Open-Drain Output Function
			I/O	Input	Output			
Port J	General I/O port also functioning as TPU I/Os	7	PJ7/ TIOCB8	TIOCA8/ TCLKH	—	PJ7, TIOCA8, TIOCB8, TCLKH	0	—
		6	PJ6/ TIOCA8	—	—	PJ6, TIOCA8		
		5	PJ5/ TIOCB7	TIOCA7/ TCLKG	—	PJ5, TIOCA7, TIOCB7, TCLKG		
		4	PJ4/ TIOCA7	—	—	PJ4, TIOCA7		
		3	PJ3/ TIOCD6	TIOCC6/ TCLKF	—	PJ3, TIOCC6, TIOCD6, TCLKF		
		2	PJ2/ TIOCC6	TCLKE	—	PJ2, TIOCC6, TCLKE		
		1	PJ1/ TIOCB6	TIOCA6	—	PJ1, TIOCA6, TIOCB6		
		0	PJ0/ TIOCA6	—	—	PJ0, TIOCA6		
Port K	General I/O port also functioning as TPU I/Os	7	PK7/ TIOCB11	TIOCA11	—	PK7, TIOCA11, TIOCB11	0	—
		6	PK6/ TIOCA11	—	—	PK6, TIOCA11		
		5	PK5/ TIOCB10	TIOCA10	—	PK5, TIOCA10, TIOCB10		
		4	PK4/ TIOCA10	—	—	PK4, TIOCA10		
		3	PK3/ TIOCD9	TIOCC9	—	PK3, TIOCC9, TIOCD9		
		2	PK2/ TIOCC9	—	—	PK2, TIOCC9		
		1	PK1/ TIOCB9	TIOCA9	—	PK1, TIOCA9, TIOCB9		
		0	PK0/ TIOCA9	—	—	PK0, TIOCA9		

Note: * Pins without Schmitt-trigger input buffer have CMOS input buffer.

9.1 Register Descriptions

Table 9.2 lists each port registers.

Table 9.2 Register Configuration in Each Port

Port	Number of Pins	Registers						
		DDR	DR	PORT	ICR	PCR	ODR	PHRTIDR
Port 1	8	O	O	O	O	—	—	—
Port 2	4	O	O	O	O	—	O	—
Port 3	8	O	O	O	O	—	—	—
Port 4	8	—	—	O	O	—	—	—
Port 5	8	—	—	O	O	—	—	—
Port 6	8	O	O	O	O	—	—	—
Port A	8	O	O	O	O	—	—	—
Port B*	3	O	O	O	O	—	—	—
Port D	8	O	O	O	O	O	—	—
Port H	8	O	O	O	O	O	—	O
Port I	8	O	O	O	O	O	—	—
Port J	8	O	O	O	O	O	—	—
Port K	8	O	O	O	O	O	—	—

[Legend]

O: Register exists

—: No register exists

Note: * The lower three bits are valid and the upper five bits are reserved. The write value should always be the initial value.

Figure 9.1 is a port block diagram.

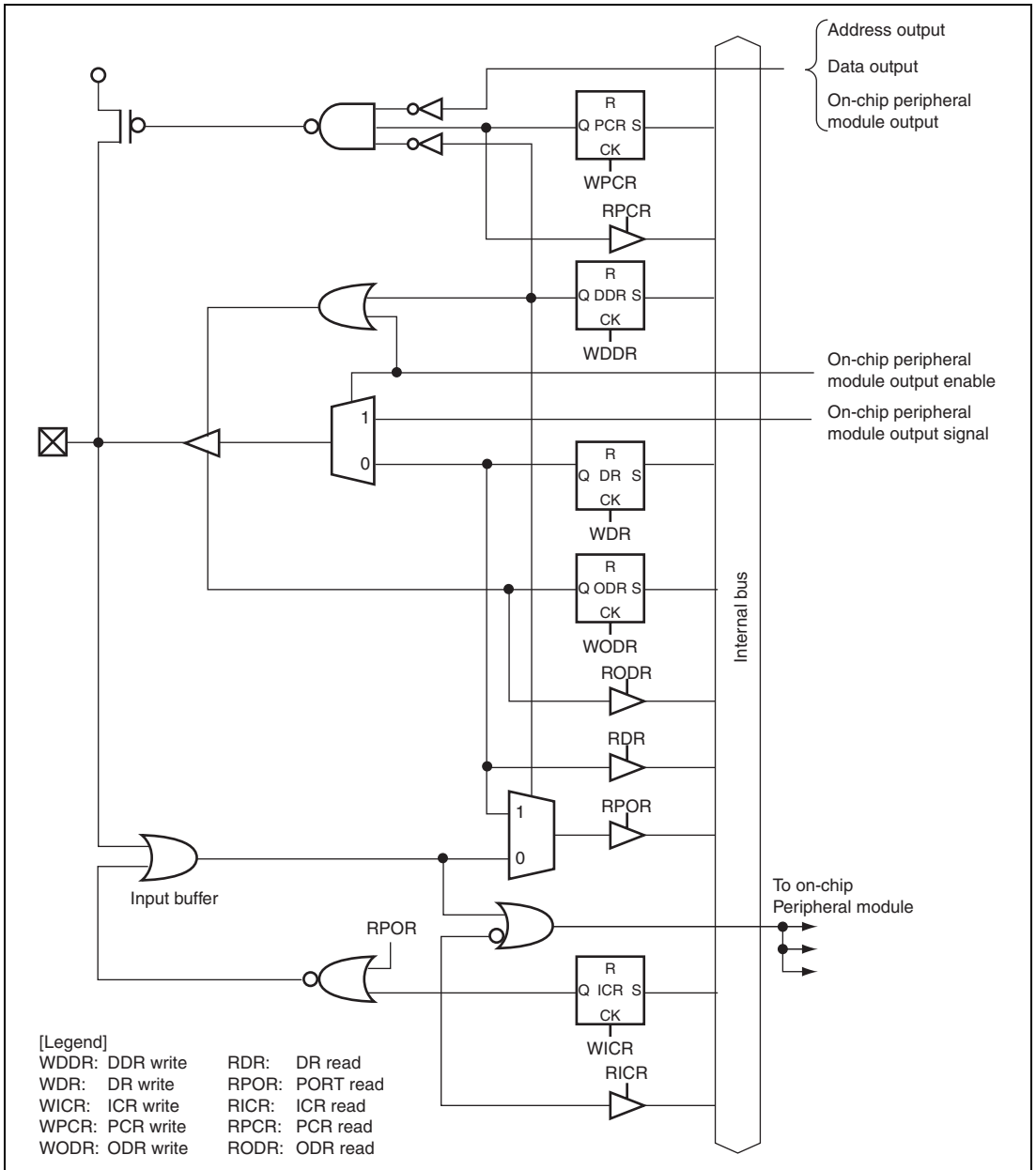


Figure 9.1 Port Block Diagram

9.1.1 Data Direction Register (PnDDR) (n = 1 to 3, 6, A, B, D, H, I, J, and K)

DDR is an 8-bit write-only register that specifies the port input or output for each bit. A read from the DDR is invalid and DDR is always read as an undefined value.

When the general I/O port function is selected, the corresponding pin functions as an output port by setting the corresponding DDR bit to 1; the corresponding pin functions as an input port by clearing the corresponding DDR bit to 0.

Bit	7	6	5	4	3	2	1	0
Bit Name	Pn7DDR	Pn6DDR	Pn5DDR	Pn4DDR	Pn3DDR	Pn2DDR	Pn1DDR	Pn0DDR
Initial Value	0	0	0	0	0	0	0	0
R/W	W	W	W	W	W	W	W	W

Note: The lower three bits are valid and the upper five bits are reserved for port B data direction register (PBDDR).

9.1.2 Data Register (PnDR) (n = 1 to 3, 6, A, B, D, H, I, J, and K)

DR is an 8-bit readable/writable register that stores the output data of the pins to be used as the general output port.

The initial value of DR is H'00.

Bit	7	6	5	4	3	2	1	0
Bit Name	Pn7DR	Pn6DR	Pn5DR	Pn4DR	Pn3DR	Pn2DR	Pn1DR	Pn0DR
Initial Value	0	0	0	0	0	0	0	0
R/W	R/W	R/W	R/W	R/W	R/W	R/W	R/W	R/W

Note: The lower three bits are valid and the upper five bits are reserved for port B data register (PBDR).

9.1.3 Port Register (PORTn) (n = 1 to 6, A, B, D, H, I, J, and K)

PORT is an 8-bit read-only register that reflects the port pin status. A write to PORT is invalid. When PORT is read, the DR bits that correspond to the respective DDR bits set to 1 are read and the status of each pin whose corresponding DDR bit is cleared to 0 is also read regardless of the ICR value.

The initial value of PORT is undefined and is determined based on the port pin status.

Bit	7	6	5	4	3	2	1	0
Bit Name	Pn7	Pn6	Pn5	Pn4	Pn3	Pn2	Pn1	Pn0
Initial Value	Undefined	Undefined	Undefined	Undefined	Undefined	Undefined	Undefined	Undefined
R/W	R	R	R	R	R	R	R	R

Note: The lower three bits are valid and the upper five bits are reserved for port B register (PORTB).

9.1.4 Input Buffer Control Register (PnICR) (n = 1 to 6, A, B, D, H, I, J, and K)

ICR is an 8-bit readable/writable register that controls the port input buffers.

For bits in ICR set to 1, the input buffers of the corresponding pins are valid. For bits in ICR cleared to 0, the input buffers of the corresponding pins are invalid and the input signals are fixed high.

When the pin functions as an input for the peripheral modules, the corresponding bits should be set to 1. The initial value should be written to a bit whose corresponding pin is not used as an input or is used as an analog input/output pin.

When PORT is read, the pin status is always read regardless of the ICR value. On-chip modules are not affected by the pin status when the ICR value is cleared to 0.

If ICR is modified, an internal edge may occur depending on the pin status. Accordingly, ICR should be modified when the corresponding input pins are not used. For example, in \overline{IRQ} input, modify ICR while the corresponding interrupt is disabled, clear the IRQF flag in ISR of the interrupt controller to 0, and then enable the corresponding interrupt. If an edge occurs after the ICR setting, the edge should be cancelled.

The initial value of ICR is H'00.

Bit	7	6	5	4	3	2	1	0
Bit Name	Pn7ICR	Pn6ICR	Pn5ICR	Pn4ICR	Pn3ICR	Pn2ICR	Pn1ICR	Pn0ICR
Initial Value	0	0	0	0	0	0	0	0
R/W	R/W	R/W	R/W	R/W	R/W	R/W	R/W	R/W

Note: The lower three bits are valid and the upper five bits are reserved for port B input buffer control register (PBICR).

9.1.5 Pull-Up MOS Control Register (PnPCR) (n = D, H, I, J, and K)

PCR is an 8-bit readable/writable register that controls on/off of the port input pull-up MOS.

If a bit in PCR is set to 1 while the pin is in input state, the input pull-up MOS corresponding to the bit in PCR is turned on. Table 9.3 shows the input pull-up MOS status.

The initial value of PCR is H'00.

Bit	7	6	5	4	3	2	1	0
Bit Name	Pn7PCR	Pn6PCR	Pn5PCR	Pn4PCR	Pn3PCR	Pn2PCR	Pn1PCR	Pn0PCR
Initial Value	0	0	0	0	0	0	0	0
R/W	R/W	R/W	R/W	R/W	R/W	R/W	R/W	R/W

Table 9.3 Input Pull-Up MOS State

Port	Pin State	Reset	Software Standby Mode	Other Operation
Port D	On-chip peripheral module output	OFF	OFF	OFF
	Port input	OFF	ON/OFF	ON/OFF
Port H	Port output	OFF	OFF	OFF
	Port input	OFF	ON/OFF	ON/OFF
Port I	Port output	OFF	OFF	OFF
	Port input	OFF	ON/OFF	ON/OFF
Port J	On-chip peripheral module output	OFF	OFF	OFF
	Port input	OFF	ON/OFF	ON/OFF
Port K	On-chip peripheral module output	OFF	OFF	OFF
	Port input	OFF	ON/OFF	ON/OFF

[Legend]

OFF: The input pull-up MOS is always off.

ON/OFF: If PCR is set to 1, the input pull-up MOS is on; if PCR is cleared to 0, the input pull-up MOS is off.

9.1.6 Open-Drain Control Register (PnODR) (n = 2)

ODR is an 8-bit readable/writable register that selects the open-drain output function.

If a bit in ODR is set to 1, the pin corresponding to that bit in ODR functions as an NMOS open-drain output. If a bit in ODR is cleared to 0, the pin corresponding to that bit in ODR functions as a CMOS output.

The initial value of ODR is H'00.

Bit	7	6	5	4	3	2	1	0
Bit Name	Pn7ODR	Pn6ODR	Pn5ODR	Pn4ODR	Pn3ODR	Pn2ODR	Pn1ODR	Pn0ODR
Initial Value	0	0	0	0	0	0	0	0
R/W	R/W	R/W	R/W	R/W	R/W	R/W	R/W	R/W

9.1.7 Port H Realtime Input Data Register (PHRTIDR)

PHRTIDR stores the status of port H using pin $\overline{\text{IRQ14}}$ as a trigger. The detection method is specified by the IRQ14SR and IRQ14SF bits in the IRQ sense control register H (ISCRH) and is selected from a low level, a falling edge, a rising edge of pin, and both edges of pin $\overline{\text{IRQ14}}$. For details, see section 5.3.5, IRQ Sense Control Registers H and L (ISCRH and ISCL).

Bit	7	6	5	4	3	2	1	0
Bit Name	PHRTIDR7	PHRTIDR6	PHRTIDR5	PHRTIDR4	PHRTIDR3	PHRTIDR2	PHRTIDR1	PHRTIDR0
Initial Value	0	0	0	0	0	0	0	0
R/W	R	R	R	R	R	R	R	R

9.2 Output Buffer Control

This section describes the output priority of each pin.

The name of each peripheral module pin is followed by "_OE". This (for example: MIOCA4_OE) indicates whether the output of the corresponding function is valid (1) or if another setting is specified (0). Table 9.4 lists each port output signal's valid setting. For details on the corresponding output signals, see the register description of each peripheral module. If the name of each peripheral module pin is followed by A or B, the pin function can be modified by the port function control register (PFCR). For details, see section 9.3.3, Port Function Control Register B (PFCRB).

9.2.1 Port 1

(1) P17/ADTRG1/IRQ7

The pin function is switched as shown below according to the P17DDR bit setting.

Module Name	Pin Function	Setting	
		I/O Port	P17DDR
I/O port	P17 output	1	
	P17 input (initial setting)	0	

(2) P16/SCK3/ $\overline{\text{IRQ6}}$

The pin function is switched as shown below according to the combination of the SCI_3 and P16DDR bit settings.

Module Name	Pin Function	Setting	
		SCI_3	I/O Port
		SCK3_OE	P16DDR
SCI_3	SCK3 output	1	—
I/O port	P16 output	0	1
	P16 input initial setting)	0	0

(3) P15/RxD3/ $\overline{\text{IRQ5}}$

The pin function is switched as shown below according to the P15DDR bit setting.

Module Name	Pin Function	Setting	
		I/O Port	P15DDR
I/O port	P15 output	1	
	P15 input (initial setting)	0	

(4) P14/TxD3/ $\overline{\text{IRQ4}}$

The pin function is switched as shown below according to the combination of the SCI_3 and P14DDR bit settings.

Module Name	Pin Function	Setting	
		SCI_4	I/O Port
		TxD3_OE	P14DDR
SCI_3	TxD3 output	1	—
I/O port	P14 output	0	1
	P14 input (initial setting)	0	0

(5) P13/ADTRG0/IRQ3

The pin function is switched as shown below according to the P13DDR bit setting.

Module Name	Pin Function	Setting	
		I/O Port	P13DDR
I/O port	P13 output	1	
	P13 input (initial setting)	0	

(6) P12/ $\overline{\text{IRQ2}}$

The pin function is switched as shown below according to the P12DDR bit setting.

Module Name	Pin Function	Setting
		I/O Port
		P12DDR
I/O port	P12 output	1
	P12 input (initial setting)	0

(7) P11/ $\overline{\text{IRQ1}}$

The pin function is switched as shown below according to the P11DDR bit setting.

Module Name	Pin Function	Setting
		I/O Port
		P11DDR
I/O port	P11 output	1
	P11 input (initial setting)	0

(8) P10/ $\overline{\text{IRQ0}}$

The pin function is switched as shown below according to the P10DDR bit setting.

Module Name	Pin Function	Setting
		I/O Port
		P10DDR
I/O port	P10 output	1
	P10 input (initial setting)	0

9.2.2 Port 2

(1) P27/TIOCA5/TIOCB5/ $\overline{\text{IRQ15}}$ -A

The pin function is switched as shown below according to the combination of the port function control register 9 (PFCR9), TPU_5, and P27DDR bit settings.

Module Name	Pin Function	Setting	
		TPU_5	I/O Port
		TIOCB5_OE	P27DDR
TPU_5	TIOCB5 output	1	—
I/O port	P27 output	0	1
	P27 input (initial setting)	0	0

(2) P26/TIOCA5/ $\overline{\text{IRQ14}}$ -A

The pin function is switched as shown below according to the combination of the port function control register 9 (PFCR9), TPU_5, and P26DDR bit settings.

Module Name	Pin Function	Setting	
		TPU_5	I/O Port
		TIOCA5_OE	P26DDR
TPU_5	TIOCA5 output	1	—
I/O port	P26 output	0	1
	P26 input (initial setting)	0	0

(3) P25/TIOCA4/ $\overline{\text{IRQ13}}$ -A

The pin function is switched as shown below according to the combination of the port function control register 9 (PFCR9), TPU_4, and P25DDR bit settings.

Module Name	Pin Function	Setting	
		TPU_4	I/O Port
		TIOCA4_OE	P25DDR
TPU_4	TIOCA4 output	1	—
I/O port	P25 output	0	1
	P25 input (initial setting)	0	0

(4) P24/TIOCA4/TIOCB4/ $\overline{\text{IRQ12}}$ -A

The pin function is switched as shown below according to the combination of the port function control register 9 (PFCR9), TPU_4, and P24DDR bit settings.

Module Name	Pin Function	Setting	
		TPU_4	I/O Port
		TIOCB4_OE	P24DDR
TPU_4	TIOCB4 output	1	—
I/O port	P24 output	0	1
	P24 input (initial setting)	0	0

(5) P23/TIOCC3/TIOCD3/ $\overline{\text{IRQ11}}$ -A

The pin function is switched as shown below according to the combination of the port function control register 9 (PFCR9), TPU_3, and P23DDR bit settings.

Module Name	Pin Function	Setting	
		TPU_3	I/O Port
		TIOCD3_OE	P23DDR
TPU_3	TIOCD3 output	1	—
I/O port	P23 output	0	1
	P23 input (initial setting)	0	0

(6) P22/TIOCC3/ $\overline{\text{IRQ10}}$ -A

The pin function is switched as shown below according to the combination of the port function control register 9 (PFCR9), TPU_3, and P22DDR bit settings.

Module Name	Pin Function	Setting	
		TPU_3	I/O Port
		TIOCC3_OE	P22DDR
TPU_3	TIOCC3 output	1	—
I/O port	P22 output	0	1
	P22 input (initial setting)	0	0

(7) P21/TIOCA3/ $\overline{\text{IRQ9}}$ -A/ $\overline{\text{SCS2}}$

The pin function is switched as shown below according to the combination of the port function control register 9 (PFCR9), SSU_2, TPU_3, and P21DDR bit settings.

Module Name	Pin Function	SSU_2	TPU_3	I/O Port
		$\overline{\text{SCS2}}$ _OE	TIOCA3_OE	P21DDR
		SSU_2	$\overline{\text{SCS2}}$ output	1
TPU_3	TIOCA3 output	0	1	—
I/O port	P21 output	0	0	1
	P21 input (initial setting)	0	0	0

(8) P20/TIOCA3/TIOCB3/ $\overline{\text{IRQ8}}$ -A

The pin function is switched as shown below according to the combination of the port function control register 9 (PFCR9), TPU_3, and P20DDR bit settings.

Module Name	Pin Function	Setting	
		TPU_3	I/O Port
		TIOCB3_OE	P20DDR
TPU_3	TIOCB3 output	1	—
I/O port	P20 output	0	1
	P20 input (initial setting)	0	0

9.2.3 Port 3

(1) P37/PO15/TIOCA2/TIOCB2/TCLKD

The pin function is switched as shown below according to the combination of the port function control register 9 (PFCR9), TPU_2, PPG, and P37DDR bit settings.

Module Name	Pin Function	Setting		
		TPU_2	PPG	I/O Port
		TIOCB2_OE	PO15_OE	P37DDR
TPU_2	TIOCB2 output	1	—	—
PPG	PO15 output	0	1	—
I/O port	P37 output	0	0	1
	P37 input (initial setting)	0	0	0

(2) P36/PO14/TIOCA2

The pin function is switched as shown below according to the combination of the port function control register 9 (PFCR9), TPU_2, PPG, and P36DDR bit settings.

Module Name	Pin Function	Setting		
		TPU_2	PPG	I/O Port
		TIOCA2_OE	PO14_OE	P36DDR
TPU_2	TIOCA2 output	1	—	—
PPG	PO14 output	0	1	—
I/O port	P36 output	0	0	1
	P36 input (initial setting)	0	0	0

(3) P35/PO13/TIOCA1/TIOCB1/TCLKC

The pin function is switched as shown below according to the combination of the port function control register 9 (PFCR9), TPU_1, PPG, and P35DDR bit settings.

Module Name	Pin Function	Setting		
		TPU_1	PPG	I/O Port
		TIOCB1_OE	PO13_OE	P35DDR
TPU_1	TIOCB1 output	1	—	—
PPG	PO13 output	0	1	—
I/O port	P35 output	0	0	1
	P35 input (initial setting)	0	0	0

(4) P34/PO12/TIOCA1

The pin function is switched as shown below according to the combination of the port function control register 9 (PFCR9), TPU_1, PPG, and P34DDR bit settings.

Module Name	Pin Function	Setting		
		TPU_1	PPG	I/O Port
		TIOCA1_OE	PO12_OE	P34DDR
TPU_1	TIOCA1 output	1	—	—
PPG	PO12 output	0	1	—
I/O port	P34 output	0	0	1
	P34 input (initial setting)	0	0	0

(5) P33/PO11/TIOCC0/TIOCD0/TCLKB

The pin function is switched as shown below according to the combination of the port function control register 9 (PFCR9), TPU_0, PPG, and P33DDR bit settings.

Module Name	Pin Function	Setting		
		TPU_0	PPG	I/O Port
		TIOCD0_OE	PO11_OE	P33DDR
TPU_0	TIOCD0 output	1	—	—
PPG	PO11 output	0	1	—
I/O port	P33 output	0	0	1
	P33 input (initial setting)	0	0	0

(6) P32/PO10/TIOCC0/TCLKA

The pin function is switched as shown below according to the combination of the port function control register 9 (PFCR9), TPU_0, PPG, and P32DDR bit settings.

Module Name	Pin Function	Setting		
		TPU_0	PPG	I/O Port
		TIOCC0_OE	PO10_OE	P32DDR
TPU_0	TIOCC0 output	1	—	—
PPG	PO10 output	0	1	—
I/O port	P32 output	0	0	1
	P32 input (initial setting)	0	0	0

(7) P31/PO9/TIOCA0/TIOCB0

The pin function is switched as shown below according to the combination of the port function control register 9 (PFCR9), TPU_0, PPG, and P31DDR bit settings.

Module Name	Pin Function	Setting		
		TPU_0	PPG	I/O Port
		TIOCB0_OE	PO9_OE	P31DDR
TPU_0	TIOCB0 output	1	—	—
PPG	PO9 output	0	1	—
I/O port	P31 output	0	0	1
	P31 input (initial setting)	0	0	0

(8) P30/PO8/TIOCA0

The pin function is switched as shown below according to the combination of the port function control register 9 (PFCR9), TPU_0, PPG, and P30DDR bit settings.

Module Name	Pin Function	Setting		
		TPU_0	PPG	I/O Port
		TIOCA0_OE	PO8_OE	P30DDR
TPU_0	TIOCA0 output	1	—	—
PPG	PO8 output	0	1	—
I/O port	P30 output	0	0	1
	P30 input (initial setting)	0	0	0

9.2.4 Port 6

(1) P67/ $\overline{\text{IRQ15}}$ -B

The pin function is switched as shown below according to the P67DDR bit setting.

Module Name	Pin Function	Setting
		I/O Port
		P67DDR
I/O port	P67 output	1
	P67 input (initial setting)	0

(2) P66/ $\overline{\text{IRQ14}}$ -B

The pin function is switched as shown below according to the P66DDR bit setting.

Module Name	Pin Function	Setting
		I/O Port
		P66DDR
I/O port	P66 output	1
	P66 input (initial setting)	0

(3) P65/ $\overline{\text{IRQ13}}$ -B/ $\overline{\text{HRxD}}$

The pin function is switched as shown below according to the P65DDR bit setting.

Module Name	Pin Function	Setting
		I/O Port
		P65DDR
I/O port	P65 output	1
	P65 input (initial setting)	0

(4) P64/ $\overline{\text{IRQ12}}$ -B

The pin function is switched as shown below according to the P64DDR bit setting.

Module Name	Pin Function	Setting	
		I/O Port	P64DDR
I/O port	P64 output	1	
	P64 input (initial setting)	0	

(5) P63/ $\overline{\text{IRQ11}}$ -B

The pin function is switched as shown below according to the P63DDR bit setting.

Module Name	Pin Function	Setting	
		I/O Port	P63DDR
I/O port	P63 output	1	
	P63 input (initial setting)	0	

(6) P62/ $\overline{\text{SCK4}}$ / $\overline{\text{IRQ10}}$ -B

The pin function is switched as shown below according to the combination of the SCI_4 and P62DDR bit settings.

Module Name	Pin Function	Setting	
		SCI_4	I/O Port
		SCK4_OE	P62DDR
SCI_4	SCK4 output	1	—
I/O port	P62 output	0	1
	P62 input (initial setting)	0	0

(7) P61/RxD4/ $\overline{\text{IRQ9}}$ -B

The pin function is switched as shown below according to the P61DDR bit setting.

Module Name	Pin Function	Setting	
		I/O Port	P61DDR
I/O port	P61 output	1	
	P61 input (initial setting)	0	

(8) P60/TxD4/ $\overline{\text{IRQ8}}$ -B

The pin function is switched as shown below according to the combination of the SCI_4 and P60DDR bit settings.

Module Name	Pin Function	Setting	
		SCI_4	I/O Port
		TxD4_OE	P60DDR
SCI_4	TxD4 output	1	—
I/O port	P60 output	0	1
	P60 input(initial setting)	0	0

9.2.5 Port A

(1) PA7

The pin function is switched as shown below according to the PA7DDR bit setting.

Module Name	Pin Function	Setting
		I/O Port
		PA7DDR
I/O port	B ϕ output	1
	PA7 input (initial setting)	0

(2) PA6

The pin function is switched as shown below according to the PA6DDR bit setting.

Module Name	Pin Function	Setting
		I/O Port
		PA6DDR
I/O port	PA6 output	1
	PA6 input (initial setting)	0

(3) PA5

The pin function is switched as shown below according to the PA5DDR bit setting.

Module Name	Pin Function	Setting
		I/O Port
		PA5DDR
I/O port	PA5 output	1
	PA5 input (initial setting)	0

(4) PA4

The pin function is switched as shown below according to the PA4DDR bit setting.

Module Name	Pin Function	Setting	
		I/O Port	
		PA4DDR	
I/O port	PA4 output	1	
	PA4 input (initial setting)	0	

(5) PA3/SSO2

The pin function is switched as shown below according to the combination of the SSU_2 and the PA3DDR bit settings.

Module Name	Pin Function	Setting	
		SSU_2	
		SSO2_OE	PA3DDR
SSU_2	SSO2 output	1	—
I/O port	PA3 output	0	1
	PA3 input (initial setting)	0	0

(6) PA2/SSI2

The pin function is switched as shown below according to the combination of the SSU_2 and the PA2DDR bit settings.

Module Name	Pin Function	Setting	
		SSU_2	I/O Port
		SSI2_OE	PA2DDR
SSU_2	SSI2 output	1	—
I/O port	PA2 output	0	1
	PA2 input (initial setting)	0	0

(7) PA1/SSCK2

The pin function is switched as shown below according to the combination of the SSU_2 and the PA1DDR bit settings.

Module Name	Pin Function	Setting	
		SSU_2	I/O Port
		SSCK2_OE	PA1DDR
SSU_2	SSCK2 output	1	—
I/O port	PA1 output	0	1
	PA1 input (initial setting)	0	0

(8) PA0

The pin function is switched as shown below according to the PA0DDR bit setting.

Module Name	Pin Function	Setting	
		I/O Port	PA0DDR
I/O port	PA0 output	1	
	PA0 input (initial setting)	0	

9.2.6 Port B**(1) PB2**

The pin function is switched as shown below according to the PB2DDR bit setting.

Module Name	Pin Function	Setting	
		I/O Port	PB2DDR
I/O port	PB2 output	1	
	PB2 input (initial setting)	0	

(2) PB1

The pin function is switched as shown below according to the PB1DDR bit setting.

Module Name	Pin Function	Setting	
		I/O Port	PB1DDR
I/O port	PB1 output		1
	PB1 input (initial setting)		0

(3) PB0

The pin function is switched as shown below according to the PB0DDR bit setting.

Module Name	Pin Function	Setting	
		I/O Port	PB0DDR
I/O port	PB0 output		1
	PB0 input (initial setting)		0

9.2.7 Port D**(1) PD7/ $\overline{SCS1}$**

The pin function is switched as shown below according to the combination of the SSU_1 and the PD7DDR bit settings.

Module Name	Pin Function	Setting	
		SSU_2	I/O Port
		$\overline{SCS1_OE}$	PD7DDR
SSU_1	$\overline{SCS1}$ output	1	—
I/O port	PD7 output	0	1
	PD7 input (initial setting)	0	0

(2) PD6/SSCK1

The pin function is switched as shown below according to the combination of the SSU_1 and the PD6DDR bit settings.

Module Name	Pin Function	Setting	
		SSU_1	I/O Port
		SSCK1_OE	PD6DDR
SSU_1	SSCK1 output	1	—
I/O port	PD6 output	0	1
	PD6 input (initial setting)	0	0

(3) PD5/SSI1

The pin function is switched as shown below according to the combination of the SSU_1 and the PD5DDR bit settings.

Module Name	Pin Function	Setting	
		SSU_1	I/O Port
		SSI1_OE	PD5DDR
SSU_1	SSI1 output	1	—
I/O port	PD5 output	0	1
	PD5 input (initial setting)	0	0

(4) PD4/SSO1

The pin function is switched as shown below according to the combination of the SSU_1 and the PD4DDR bit settings.

Module Name	Pin Function	Setting	
		SSU_1	I/O Port
		SSO1_OE	PD4DDR
SSU_1	SSO1 output	1	—
I/O port	PD4 output	0	1
	PD4 input (initial setting)	0	0

(5) PD3/ $\overline{\text{SCS0}}$

The pin function is switched as shown below according to the combination of the SSU_0 and the PD3DDR bit settings.

Module Name	Pin Function	Setting	
		SSU_0	I/O Port
		$\overline{\text{SCS0_OE}}$	PD3DDR
SSU_0	$\overline{\text{SCS0}}$ output	1	—
I/O port	PD3 output	0	1
	PD3 input (initial setting)	0	0

(6) PD2/SSCK0

The pin function is switched as shown below according to the combination of the SSU_0 and the PD2DDR bit settings.

Module Name	Pin Function	Setting	
		SSU_0	I/O Port
		SSCK0_OE	PD2DDR
SSU_0	SSCK0 output	1	—
I/O port	PD2 output	0	1
	PD2 input (initial setting)	0	0

(7) PD1/SSI0

The pin function is switched as shown below according to the combination of the SSU_0 and the PD1DDR bit settings.

Module Name	Pin Function	Setting	
		SSU_0	I/O Port
		SSI0_OE	PD1DDR
SSU_0	SSI0 output	1	—
I/O port	PD1 output	0	1
	PD1 input (initial setting)	0	0

(8) PD0/SSO0

The pin function is switched as shown below according to the combination of the SSU_0 and the PD0DDR bit settings.

Module Name	Pin Function	Setting	
		SSU_0	I/O Port
		SSO0_OE	PD0DDR
SSU_0	SSO0 output	1	—
I/O port	PD0 output	0	1
	PD0 input (initial setting)	0	0

9.2.8 Port H**(1) PH7, PH6, PH5, PH4, PH3, PH2, PH1, and PH0**

Port H functions as an 8-bit I/O port and also functions as a realtime input port. Using port H as the realtime input port, the pin status of port H is stored in PHRTIDR by the following triggers: a low level, a falling edge, a rising edge, or both edges of pin $\overline{\text{IRQ14}}$.

The pin function is switched as shown below according to the PHnDDR bit setting.

Module Name	Pin Function	Setting	
		I/O Port	
		PHnDDR	
I/O port	PHn output	1	
	PHn input (initial setting)	0	

[Legend]

n = 7 to 0

9.2.9 Port I

(1) PI7, PI6, PI5, PI4, PI3, PI2, PI1, and PI0

The pin function is switched as shown below according to the PInDDR bit setting.

Module Name	Pin Function	Setting	
		I/O Port	PInDDR
I/O port	PI _n output	1	
	PI _n input (initial setting)	0	

[Legend]

n = 7 to 0

9.2.10 Port J

(1) PJ7/TIOCA8/TIOCB8/TCLKH

The pin function is switched as shown below according to the combination of the port function control register A (PFCRA), TPU_8, and PJ7DDR bit settings.

Module Name	Pin Function	Setting	
		TPU_8 TIOCB8_OE	I/O Port PJ7DDR
TPU_8	TIOCB8 output	1	—
I/O port	PJ7 output	0	1
	PJ7 input (initial setting)	0	0

(2) PJ6/TIOCA8

The pin function is switched as shown below according to the combination of the port function control register A (PFCRA), TPU_8, and PJ6DDR bit settings.

Module Name	Pin Function	Setting	
		TPU_8	I/O Port
		TIOCA8_OE	PJ6DDR
TPU_8	TIOCA8 output	1	—
I/O port	PJ6 output	0	1
	PJ6 input (initial setting)	0	0

(3) PJ5/TIOCA7/TIOCB7/TCLKG

The pin function is switched as shown below according to the combination of the port function control register A (PFCRA), TPU_7, and PJ5DDR bit settings.

Module Name	Pin Function	Setting	
		TPU_7	I/O Port
		TIOCB7_OE	PJ5DDR
TPU_7	TIOCB7 output	1	—
I/O port	PJ5 output	0	1
	PJ5 input (initial setting)	0	0

(4) PJ4/TIOCA7

The pin function is switched as shown below according to the combination of the port function control register A (PFCRA), TPU_7, and PJ4DDR bit settings.

Module Name	Pin Function	Setting	
		TPU_7	I/O Port
		TIOCA7_OE	PJ4DDR
TPU_7	TIOCA7 output	1	—
I/O port	PJ4 output	0	1
	PJ4 input (initial setting)	0	0

(5) PJ3/TIOCC6/TIOCD6/TCLKF

The pin function is switched as shown below according to the combination of the port function control register A (PFCRA), TPU_6, and PJ3DDR bit settings.

Module Name	Pin Function	Setting	
		TPU_6	I/O Port
		TIOCD6_OE	PJ3DDR
TPU_6	TIOCD6 output	1	—
I/O port	PJ3 output	0	1
	PJ3 input (initial setting)	0	0

(6) PJ2/TIOCC6/TCLKE

The pin function is switched as shown below according to the combination of the port function control register A (PFCRA), TPU_6, and PJ2DDR bit settings.

Module Name	Pin Function	Setting	
		TPU_6	I/O Port
		TIOCC6_OE	PJ2DDR
TPU_6	TIOCC6 output	1	—
I/O port	PJ2 output	0	1
	PJ2 input (initial setting)	0	0

(7) PJ1/TIOCA6/TIOCB6

The pin function is switched as shown below according to the combination of the port function control register A (PFCRA), TPU_6, and PJ1DDR bit settings.

Module Name	Pin Function	Setting	
		TPU_6	I/O Port
		TIOCB6_OE	PJ1DDR
TPU_6	TIOCB6 output	1	—
I/O port	PJ1 output	0	1
	PJ1 input (initial setting)	0	0

(8) PJ0/TIOCA6

The pin function is switched as shown below according to the combination of the port function control register A (PFCRA), TPU_6, and PJ0DDR bit settings.

Module Name	Pin Function	Setting	
		TPU_6	I/O Port
		TIOCA6_OE	PJ0DDR
TPU_6	TIOCA6 output	1	—
I/O port	PJ0 output	0	1
	PJ0 input (initial setting)	0	0

9.2.11 Port K**(1) PK7/TIOCA11/TIOCB11**

The pin function is switched as shown below according to the combination of the port function control register A (PFCRA), TPU_11, and PK7DDR bit settings.

Module Name	Pin Function	Setting	
		TPU_11	I/O Port
		TIOCB11_OE	PK7DDR
TPU_11	TIOCB11 output	1	—
I/O port	PK7 output	0	1
	PK7 input (initial setting)	0	0

(2) PK6/TIOCA11

The pin function is switched as shown below according to the combination of the port function control register A (PFCRA), TPU_11, and PK6DDR bit settings.

Module Name	Pin Function	Setting	
		TPU_11	I/O Port
		TIOCA11_OE	PK6DDR
TPU_11	TIOCA11 output	1	—
I/O port	PK6 output	0	1
	PK6 input (initial setting)	0	0

(3) PK5/TIOCA10/TIOCB10

The pin function is switched as shown below according to the combination of the port function control register A (PFCRA), TPU_10, and PK5DDR bit settings.

Module Name	Pin Function	Setting	
		TPU_10	I/O Port
		TIOCB10_OE	PK5DDR
TPU_10	TIOCB10 output	1	—
I/O port	PK5 output	0	1
	PK5 input (initial setting)	0	0

(4) PK4/TIOCA10

The pin function is switched as shown below according to the combination of the port function control register A (PFCRA), TPU_10, and PK4DDR bit settings.

Module Name	Pin Function	Setting	
		TPU_10	I/O Port
		TIOCA10_OE	PK4DDR
TPU_10	TIOCA10 output	1	—
I/O port	PK4 output	0	1
	PK4 input (initial setting)	0	0

(5) PK3/TIOCC9/TIOCD9

The pin function is switched as shown below according to the combination of the port function control register A (PFCRA), TPU_9, and PK3DDR bit settings.

Module Name	Pin Function	Setting	
		TPU_9	I/O Port
		TIOCD9_OE	PK3DDR
TPU_9	TIOCD9 output	1	—
I/O port	PK3 output	0	1
	PK3 input (initial setting)	0	0

(6) PK2/TIOCC9

The pin function is switched as shown below according to the combination of the port function control register A (PFCRA), TPU_9, and PK2DDR bit settings.

Module Name	Pin Function	Setting	
		TPU_9	I/O Port
		TIOCC9_OE	PK2DDR
TPU_6	TIOCC9 output	1	—
I/O port	PK2 output	0	1
	PK2 input (initial setting)	0	0

(7) PK1/TIOCA6/TIOCB6

The pin function is switched as shown below according to the combination of the port function control register A (PFCRA), TPU_9, and PK1DDR bit settings.

Module Name	Pin Function	Setting	
		TPU_9	I/O Port
		TIOCB9_OE	PK1DDR
TPU_9	TIOCB9 output	1	—
I/O port	PK1 output	0	1
	PK1 input (initial setting)	0	0

(8) PK0/TIOCA9

The pin function is switched as shown below according to the combination of the port function control register A (PFCRA), TPU_9, and PK0DDR bit settings.

Module Name	Pin Function	Setting	
		TPU_9	I/O Port
		TIOCA9_OE	PK0DDR
TPU_9	TIOCA9 output	1	—
I/O port	PK0 output	0	1
	PK0 input (initial setting)	0	0

Table 9.4 Available Output Signals and Settings in Each Port

Port	Output Specification Signal Name	Output Signal Name	Signal Selection Register Settings	Peripheral Module Settings
P1	6	SCK3_OE	SCK3	When SCMR_3.SMIF = 1: SCR_3.TE = 1 or SCR_3.RE = 1 while SMR_3.GM = 0, SCR.CKE [1, 0] = 01 or while SMR.GM = 1 When SCMR_3.SMIF = 0: SCR_3.TE = 1 or SCR_3.RE = 1 while SMR_3.C/ \bar{A} = 0, SCR_3.CKE [1, 0] = 01 or while SMR_3.C/ \bar{A} = 1, SCR_3.CKE 1 = 0
	4	TxD3_OE	TxD3	SCR.TE = 1
P2	7	TIOCB5_OE	TIOCB5	TPU.TIOR_5.IOB3 = 0, TPU.TIOR_5.IOB[1,0] = 01/10/11
	6	TIOCA5_OE	TIOCA5	TPU.TIOR_5.IOA3 = 0, TPU.TIOR_5.IOA[1,0] = 01/10/11
	5	TIOCA4_OE	TIOCA4	TPU.TIOR_4.IOA3 = 0, TPU.TIOR_4.IOA[1,0] = 01/10/11
	4	TIOCB4_OE	TIOCB4	TPU.TIOR_4.IOB3 = 0, TPU.TIOR_4.IOB[1,0] = 01/10/11
	3	TIOCD3_OE	TIOCD3	TPU.TMDR.BFB = 0, TPU.TIORL_3.IOD3 = 0, TPU.TIORL_3.IOD[1,0] = 01/10/11
	2	TIOCC3_OE	TIOCC3	TPU.TMDR.BFA = 0, TPU.TIORL_3.IOC3 = 0, TPU.TIORL_3.IOD[1,0] = 01/10/11
	1	SCS2_OE	SCS2	SSU.SSCRH_2.CSS1 = 1, SSU.SSCRH_2.CSS0 = 0, or SSU.SSCRH_2.CSS1 = 1, SSU.SSCRH_2.CSS0 = 1 while SSU.SSCRL_2.SSUMS = 0, SSU.SSCRH_2.MSS = 1
		TIOCA3_OE	TIOCA3	TPU.TIORH_3.IOA3 = 0, TPU.TIORH_3.IOA[1,0] = 01/10/11
	0	TIOCB3_OE	TIOCB3	TPU.TIORH_3.IOB3 = 0, TPU.TIORH_3.IOB[1,0] = 01/10/11
P3	7	TIOCB2_OE	TIOCB2	TPU.TIOR_2.IOB3 = 0, TPU.TIOR_2.IOB[1,0] = 01/10/11
		PO15_OE	PO15	NDERH.NDER15 = 1
	6	TIOCA2_OE	TIOCA2	TPU.TIOR_2.IOA3 = 0, TPU.TIOR_2.IOA[1,0] = 01/10/11
		PO14_OE	PO14	NDERH.NDER14 = 1
	5	TIOCB1_OE	TIOCB1	TPU.TIOR_1.IOB3 = 0, TPU.TIOR_1.IOB[1,0] = 01/10/11
		PO13_OE	PO13	NDERH.NDER13 = 1

Port	Output Specification Signal Name	Output Signal Name	Signal Selection Register Settings	Peripheral Module Settings
P3	4	TIOCA1_OE	TIOCA1	TPU.TIOR_1.IOA3 = 0, TPU.TIOR_1.IOA[1,0] = 01/10/11
		PO12_OE	PO12	NDERH.NDER12 = 1
	3	TIOCD0_OE	TIOCD0	TPU.TMDR_0.BFB = 0, TPU.TIORL_0.IOD3 = 0, TPU.TIORL_0.IOD[1,0] = 01/10/11
		PO11_OE	PO11	NDERH.NDER11 = 1
	2	TIOCC0_OE	TIOCC0	TPU.TMDR_0.BFA = 0, TPU.TIORL_0.IOC3 = 0, TPU.TIORL_0.IOD[1,0] = 01/10/11
		PO10_OE	PO10	NDERH.NDER10 = 1
	1	TIOCB0_OE	TIOCB0	TPU.TIORH_0.IOB3 = 0, TPU.TIORH_0.IOB[1,0] = 01/10/11
		PO9_OE	PO9	NDERH.NDER9 = 1
	0	TIOCA0_OE	TIOCA0	TPU.TIORH_0.IOA3 = 0, TPU.TIORH_0.IOA[1,0] = 01/10/11
		PO8_OE	PO8	NDERH.NDER8 = 1
P6	2	SCK4_OE	SCK4	When SCMR_4.SMIF = 1: SCR_4.TE = 1 or SCR_4.RE = 1 while SMR_4.GM = 0, SCR_4.CKE [1, 0] = 01 or while SMR_4.GM = 1 When SCMR_4.SMIF = 0: SCR_4.TE = 1 or SCR_4.RE = 1 while SMR_4.C/Ā = 0, SCR_4.CKE [1, 0] = 01 or while SMR_4.C/Ā = 1, SCR_4.CKE 1 = 0
	0	TxD4_OE	TxD4	SCR.TE = 1
PA	7	B ϕ _OE	B ϕ	PADDR.PA7DDR = 1, SCKCR.PSTOP1 = 0, SCKCR.POSEL1 = 0
	3	SSO2_OE	SSI02	When SSU.SSCRH_2.SSUMS = 0, SSU.SSCRH_2.MSS = 1: SSU.SSCRH_2.BIDE = 0, SSU.SSER_2.TE = 1 or SSU.SSCRH_2.BIDE = 1, SSU.SSER_2.RE = 0, SSU.SSER_2.TE = 1 When SSU.SSCRH_2.SSUMS = 0, SSU.SSCRH_2.MSS = 0: SSU.SSCRH_2.BIDE = 1, SSU.SSER_2.RE = 0, SSU.SSER_1.TE = 1 When SSU.SSCRH_2.SSUMS = 1: SSU.SSER_2.TE = 1

Port	Output Specification Signal Name	Output Signal Name	Signal Selection Register Settings	Peripheral Module Settings
PA	2	SSI2_OE	SSI2	SSU.SSCRL_2.SSUMS = 0, SSU.SSCRH_2.MSS = 0 SSU.SSCRH_2.BIDE = 0, SSU.SSER_2.TE = 1
	1	SSCK2_OE	SSCK2	SSU.SSCRH_2.MSS = 1, SSU.SSCRH_2.SCKS = 1
PD	7	$\overline{\text{SCS1}}_{\text{OE}}$	$\overline{\text{SCS1}}$	SSU.SSCRH_0.CSS1 = 1, SSU.SSCRH_0.CSS0 = 0 or SSU.SSCRH_0.CSS1 = 1, SSU.SSCRH_0.CSS0 = 1 while SSU.SSCRL_0.SSUMS = 0, SSU.SSCRH_0.MSS = 1
	6	SSCK1_OE	SSCK1	SSU.SSCRH_1.MSS = 1, SSU.SSCRH_1.SCKS = 1
	5	SSI1_OE	SSI1	SSU.SSCRL_1.SSUMS = 0, SSU.SSCRH_1.MSS = 0 SSU.SSCRH_1.BIDE = 0, SSU.SSER_1.TE = 1
	4	SSO1_OE	SSO1	When SSU.SSCRL_1.SSUMS = 0, SSU.SSCRH_1.MSS = 1: SSU.SSCRH_1.BIDE = 0, SSU.SSER_1.TE = 1 or SSU.SSCRH_1.BIDE = 1, SSU.SSER_1.RE = 0, SSU.SSER_1.TE = 1
				When SSU.SSCRL_1.SSUMS = 0, SSU.SSCRH_1.MSS = 0: SSU.SSCRH_1.BIDE = 1, SSU.SSER_1.RE = 0, SSU.SSER_1.TE = 1
				When SSU.SSCRL_1.SSUMS = 1: SSU.SSER_1.TE = 1
3	$\overline{\text{SCS0}}_{\text{OE}}$	$\overline{\text{SCS0}}$	SSU.SSCRH_0.CSS1 = 1, SSU.SSCRH_0.CSS0 = 0 or SSU.SSCRH_0.CSS1 = 1, SSU.SSCRH_0.CSS0 = 1 while SSU.SSCRL_0.SSUMS = 0, SSU.SSCRH_0.MSS = 1	
2	SSCK0_OE	SSCK0	SSU.SSCRH_0.MSS = 1, SSU.SSCRH_0.SCKS = 1	
1	SSI0_OE	SSI0	SSU.SSCRL_0.SSUMS = 0, SSU.SSCRH_0.MSS = 0 SSU.SSCRH_0.BIDE = 0, SSU.SSER_0.TE = 1	
0	SSO0_OE	SSO0	When SSU.SSCRL_0.SSUMS = 0, SSU.SSCRH_0.MSS = 1: SSU.SSCRH_0.BIDE = 0, SSU.SSER_0.TE = 1 or SSU.SSCRH_0.BIDE = 1, SSU.SSER_0.RE = 0, SSU.SSER_0.TE = 1	
			When SSU.SSCRL_0.SSUMS = 0, SSU.SSCRH_0.MSS = 0: SSU.SSCRH_0.BIDE = 1, SSU.SSER_0.RE = 0, SSU.SSER_0.TE = 1	
			When SSU.SSCRL_0.SSUMS = 1: SSU.SSER_0.TE = 1	

Port	Output Specification Signal Name	Output Signal Name	Signal Selection Register Settings	Peripheral Module Settings
PJ	7	TIOCB8_OE	TIOCB8	TPU.TIOR_8.IOB3 = 0, TPU.TIOR_8.IOB[1, 0] = 01/10/11
	6	TIOCA8_OE	TIOCA8	TPU.TIOR_8.IOA3 = 0, TPU.TIOR_8.IOA[1, 0] = 01/10/11
	5	TIOCB7_OE	TIOCB7	TPU.TIOR_7.IOB3 = 0, TPU.TIOR_7.IOB[1, 0] = 01/10/11
	4	TIOCA7_OE	TIOCA7	TPU.TIOR_7.IOA3 = 0, TPU.TIOR_7.IOA[1, 0] = 01/10/11
	3	TIOCD6_OE	TIOCD6	TPU.TMDR_6.BFB = 0, TPU.TIORL_6.IOD3 = 0 TPU.TIORL_6.IOD[1, 0] = 01/10/11
	2	TIOCC6_OE	TIOCC6	TPU.TMDR_6.BFA = 0, TPU.TIORL_6.IOC3 = 0 TPU.TIORL_6.IOC[1, 0] = 01/10/11
	1	TIOCB6_OE	TIOCB6	TPU.TIORH_6.IOB3 = 0, TPU.TIORH_6.IOB[1, 0] = 01/10/11
	0	TIOCA6_OE	TIOCA6	TPU.TIORH_6.IOA3 = 0, TPU.TIORH_6.IOA[1, 0] = 01/10/11
PK	7	TIOCB11_OE	TIOCB11	TPU.TIOR_11.IOB3 = 0, TPU.TIOR_11.IOB[1, 0] = 01/10/11
	6	TIOCA11_OE	TIOCA11	TPU.TIOR_11.IOA3 = 0, TPU.TIOR_11.IOA[1, 0] = 01/10/11
	5	TIOCB10_OE	TIOCB10	TPU.TIOR_10.IOB3 = 0, TPU.TIOR_10.IOB[1, 0] = 01/10/11
	4	TIOCA10_OE	TIOCA10	TPU.TIOR_10.IOA3 = 0, TPU.TIOR_10.IOA[1, 0] = 01/10/11
	3	TIOCD9_OE	TIOCD9	TPU.TMDR_9.BFB = 0, TPU.TIORL_9.IOD3 = 0 TPU.TIORL_9.IOD[1, 0] = 01/10/11
	2	TIOCC9_OE	TIOCC9	TPU.TMDR_9.BFA = 0, TPU.TIORL_9.IOC3 = 0 TPU.TIORL_9.IOC[1, 0] = 01/10/11
	1	TIOCB9_OE	TIOCB9	TPU.TIOR_9.IOB3 = 0, TPU.TIOR_9.IOB[1, 0] = 01/10/11
	0	TIOCA9_OE	TIOCA9	TPU.TIOR_9.IOA3 = 0, TPU.TIOR_9.IOA[1, 0] = 01/10/11

9.3 Port Function Controller

The port function controller controls the I/O ports.

The port function controller incorporates the following registers.

- Port function control register 9 (PFCR9)
- Port function control register A (PFCRA)
- Port function control register B (PFCRB)

9.3.1 Port Function Control Register 9 (PFCR9)

PFCR9 selects the multiple functions for the TPU (unit 0) I/O pins.

Bit	7	6	5	4	3	2	1	0
Bit Name	TPUMS5	TPUMS4	TPUMS3A	TPUMS3B	TPUMS2	TPUMS1	TPUMS0A	TPUMS0B
Initial Value	0	0	0	0	0	0	0	0
R/W	R/W	R/W	R/W	R/W	R/W	R/W	R/W	R/W

Bit	Bit Name	Initial Value	R/W	Description
7	TPUMS5	0	R/W	TPU I/O Pin Multiplex Function Select Selects TIOCA5 function 0: Specifies P26 as output compare output and input capture 1: Specifies P27 as input capture input and P26 as output compare
6	TPUMS4	0	R/W	TPU I/O Pin Multiplex Function Select Selects TIOCA4 function 0: Specifies P25 as output compare output and input capture 1: Specifies P24 as input capture input and P25 as output compare
5	TPUMS3A	0	R/W	TPU I/O Pin Multiplex Function Select Selects TIOCA3 function 0: Specifies P21 as output compare output and input capture 1: Specifies P20 as input capture input and P21 as output compare

Bit	Bit Name	Initial Value	R/W	Description
4	TPUMS3B	0	R/W	<p>TPU I/O Pin Multiplex Function Select</p> <p>Selects TIOCC3 function</p> <p>0: Specifies P22 as output compare output and input capture</p> <p>1: Specifies P23 as input capture input and P22 as output compare</p>
3	TPUMS2	0	R/W	<p>TPU I/O Pin Multiplex Function Select</p> <p>Selects TIOCA2 function</p> <p>0: Specifies P36 as output compare output and input capture</p> <p>1: Specifies P37 as input capture input and P36 as output compare</p>
2	TPUMS1	0	R/W	<p>TPU I/O Pin Multiplex Function Select</p> <p>Selects TIOCA1 function</p> <p>0: Specifies P34 as output compare output and input capture</p> <p>1: Specifies P35 as input capture input and P34 as output compare</p>
1	TPUMS0A	0	R/W	<p>TPU I/O Pin Multiplex Function Select</p> <p>Selects TIOCA0 function</p> <p>0: Specifies P30 as output compare output and input capture</p> <p>1: Specifies P31 as input capture input and P30 as output compare</p>
0	TPUMS0B	0	R/W	<p>TPU I/O Pin Multiplex Function Select</p> <p>Selects TIOCC0 function</p> <p>0: Specifies P32 as output compare output and input capture</p> <p>1: Specifies P33 as input capture input and P32 as output compare</p>

9.3.2 Port Function Control Register A (PFCRA)

PFCRA selects the multiple functions for the TPU (unit 1) I/O pins.

Bit	7	6	5	4	3	2	1	0
Bit Name	TPUMS11	TPUMS10	TPUMS9A	TPUMS9B	TPUMS8	TPUMS7	TPUMS6A	TPUMS6B
Initial Value	0	0	0	0	0	0	0	0
R/W	R/W	R/W	R/W	R/W	R/W	R/W	R/W	R/W

Bit	Bit Name	Initial Value	R/W	Description
7	TPUMS11	0	R/W	TPU I/O Pin Multiplex Function Select Selects TIOCA11 function 0: Specifies PK6 as output compare output and input capture 1: Specifies PK7 as input capture input and PK6 as output compare
6	TPUMS10	0	R/W	TPU I/O Pin Multiplex Function Select Selects TIOCA10 function 0: Specifies PK4 as output compare output and input capture 1: Specifies PK5 as input capture input and PK4 as output compare
5	TPUMS9A	0	R/W	TPU I/O Pin Multiplex Function Select Selects TIOCA9 function 0: Specifies PK0 as output compare output and input capture 1: Specifies PK1 as input capture input and PK0 as output compare
4	TPUMS9B	0	R/W	TPU I/O Pin Multiplex Function Select Selects TIOCC9 function 0: Specifies PK2 as output compare output and input capture 1: Specifies PK3 as input capture input and PK2 as output compare

Bit	Bit Name	Initial Value	R/W	Description
3	TPUMS8	0	R/W	TPU I/O Pin Multiplex Function Select Selects TIOCA8 function 0: Specifies PJ6 as output compare output and input capture 1: Specifies PJ7 as input capture input and PJ6 as output compare
2	TPUMS7	0	R/W	TPU I/O Pin Multiplex Function Select Selects TIOCA7 function 0: Specifies PJ4 as output compare output and input capture 1: Specifies PJ5 as input capture input and PJ4 as output compare
1	TPUMS6A	0	R/W	TPU I/O Pin Multiplex Function Select Selects TIOCA6 function 0: Specifies PJ0 as output compare output and input capture 1: Specifies PJ1 as input capture input and PJ0 as output compare
0	TPUMS6B	0	R/W	TPU I/O Pin Multiplex Function Select Selects TIOCC6 function 0: Specifies PJ2 as output compare output and input capture 1: Specifies PJ3 as input capture input and PJ2 as output compare

9.3.3 Port Function Control Register B (PFCRB)

PFCRB selects the input pins for $\overline{\text{IRQ}}15$ to $\overline{\text{IRQ}}8$.

Bit	7	6	5	4	3	2	1	0
Bit Name	ITS15	ITS14	ITS13	ITS12	ITS11	ITS10	ITS9	ITS8
Initial Value	0	0	0	0	0	0	0	0
R/W	R/W	R/W	R/W	R/W	R/W	R/W	R/W	R/W

Bit	Bit Name	Initial Value	R/W	Description
7	ITS15	0	R/W	<p>$\overline{\text{IRQ15}}$ Pin Select</p> <p>Selects an input pin for $\overline{\text{IRQ15}}$.</p> <p>0: Pin P27 must not be used as $\overline{\text{IRQ15}}$-A input</p> <p>1: Pin P67 is used as $\overline{\text{IRQ15}}$-B input</p>
6	ITS14	0	R/W	<p>$\overline{\text{IRQ14}}$ Pin Select</p> <p>Selects an input pin for $\overline{\text{IRQ14}}$.</p> <p>0: Pin P26 must not be used as $\overline{\text{IRQ14}}$-A input</p> <p>1: Pin P66 is used as $\overline{\text{IRQ14}}$-B input</p>
5	ITS13	0	R/W	<p>$\overline{\text{IRQ13}}$ Pin Select</p> <p>Selects an input pin for $\overline{\text{IRQ13}}$.</p> <p>0: Pin P25 must not be used as $\overline{\text{IRQ13}}$-A input</p> <p>1: Pin P65 is used as $\overline{\text{IRQ13}}$-B input</p>
4	ITS12	0	R/W	<p>$\overline{\text{IRQ12}}$ Pin Select</p> <p>Selects an input pin for $\overline{\text{IRQ12}}$.</p> <p>0: Pin P24 must not be used as $\overline{\text{IRQ12}}$-A input</p> <p>1: Pin P64 is used as $\overline{\text{IRQ12}}$-B input</p>
3	ITS11	0	R/W	<p>$\overline{\text{IRQ11}}$ Pin Select</p> <p>Selects an input pin for $\overline{\text{IRQ11}}$.</p> <p>0: Pin P23 is used as $\overline{\text{IRQ11}}$-A input</p> <p>1: Pin P63 is used as $\overline{\text{IRQ11}}$-B input</p>
2	ITS10	0	R/W	<p>$\overline{\text{IRQ10}}$ Pin Select</p> <p>Selects an input pin for $\overline{\text{IRQ10}}$.</p> <p>0: Pin P22 is used as $\overline{\text{IRQ10}}$-A input</p> <p>1: Pin P62 is used as $\overline{\text{IRQ10}}$-B input</p>
1	ITS9	0	R/W	<p>$\overline{\text{IRQ9}}$ Pin Select</p> <p>Selects an input pin for $\overline{\text{IRQ9}}$.</p> <p>0: Pin P21 is used as $\overline{\text{IRQ9}}$-A input</p> <p>1: Pin P61 is used as $\overline{\text{IRQ9}}$-B input</p>
0	ITS8	0	R/W	<p>$\overline{\text{IRQ8}}$ Pin Select</p> <p>Selects an input pin for $\overline{\text{IRQ8}}$.</p> <p>0: Pin P20 is used as $\overline{\text{IRQ8}}$-A input</p> <p>1: Pin P60 is used as $\overline{\text{IRQ8}}$-B input</p>

9.4 Usage Notes

9.4.1 Notes on Input Buffer Control Register (ICR) Setting

- When the ICR setting is changed, the LSI may malfunction due to an edge occurred internally according to the pin states. To change the ICR setting, fix the pin high or disable the input function corresponding to the pin by setting the on-chip module registers.
- If an input is enabled by setting ICR while multiple input functions are assigned to the pin, the pin state is reflected in all the inputs of individual modules. Care must be taken for the settings of unused input function on each module side.
- When a pin is used as an output, data to be output from the pin will be latched as the pin state if the input function corresponding to the pin is enabled. To use the pin as an output, disable the input function for the pin by setting ICR.

9.4.2 Notes on Port Function Control Register (PFCR) Settings

- The PFC controls I/O ports. To specify the function of each pin, specify the input/output destination before enabling the input/output function.
- When the input/output destination is changed by the corresponding selection bit, an edge may occur if the previous pin level differs from the pin level after the change. To change the pin direction correctly, follow the procedure shown below.
 1. Disable the input function corresponding to the pin by the on-chip module registers.
 2. Select the input function by setting PFCR.
 3. Enable the input function.
- If a pin function has both a selection bit that modifies the input/output destination and an enable bit that enables the pin function, first specify the input/output destination by the selection bit and then enable the pin function by the enable bit.

Section 10 16-Bit Timer Pulse Unit (TPU)

This LSI has two on-chip 16-bit timer pulse units (TPU): unit 0 and unit 1. Each unit comprises six 16-bit timer channels, that is, there are 12 timer channels in total. Table 10.1 shows the unit configuration for each product.

Table 10.2 is a list of the functions and figure 10.1 is a block diagram for unit 0. Table 10.3 and figure 10.2 are for unit 1.

This section describes unit 0, which has the same functions as the other unit.

10.1 Features

- Maximum 16-pulse input/output
- Selection of eight counter input clocks for each channel
- The following operations can be set for each channel:
 - Waveform output at compare match
 - Input capture function
 - Counter clear operation
 - Synchronous operations:
 - Multiple timer counters (TCNT) can be written to simultaneously
 - Simultaneous clearing by compare match and input capture possible
 - Simultaneous input/output for registers possible by counter synchronous operation
 - Maximum of 15-phase PWM output possible by combination with synchronous operation
- Buffer operation settable for channels 0 and 3
- Phase counting mode settable independently for each of channels 1, 2, 4, and 5
- Cascaded operation
- Fast access via internal 16-bit bus
- 26 interrupt sources
- Automatic transfer of register data
- Programmable pulse generator (PPG) output trigger can be generated (supported only by unit 0)
- Conversion start trigger for the A/D converter can be generated (supported only by unit 0)
- Module stop mode can be set

Table 10.1 Unit Configuration for Each Product

Product	Unit Configuration	Channel Configuration
H8SX/1582	Unit 0	Channels 0 to 5
	Unit 1	Channels 6 to 11

Table 10.2 TPU Functions (Unit 0)

Item	Channel 0	Channel 1	Channel 2	Channel 3	Channel 4	Channel 5
Count clock	P ϕ /1	P ϕ /1	P ϕ /1	P ϕ /1	P ϕ /1	P ϕ /1
	P ϕ /4	P ϕ /4	P ϕ /4	P ϕ /4	P ϕ /4	P ϕ /4
	P ϕ /16	P ϕ /16	P ϕ /16	P ϕ /16	P ϕ /16	P ϕ /16
	P ϕ /64	P ϕ /64	P ϕ /64	P ϕ /64	P ϕ /64	P ϕ /64
	TCLKA	P ϕ /256	P ϕ /1024	P ϕ /256	P ϕ /1024	P ϕ /256
	TCLKB	TCLKA	TCLKA	P ϕ /1024	TCLKA	TCLKA
	TCLKC	TCLKB	TCLKB	P ϕ /4096	TCLKC	TCLKC
TCLKD		TCLKC	TCLKA		TCLKD	
General registers (TGR)	TGRA_0	TGRA_1	TGRA_2	TGRA_3	TGRA_4	TGRA_5
	TGRB_0	TGRB_1	TGRB_2	TGRB_3	TGRB_4	TGRB_5
General registers/ buffer registers	TGRC_0	—	—	TGRC_3	—	—
	TGRD_0			TGRD_3		
I/O pins	TIOCA0	TIOCA1	TIOCA2	TIOCA3	TIOCA4	TIOCA5
	TIOCB0	TIOCB1	TIOCB2	TIOCB3	TIOCB4	TIOCB5
	TIOCC0			TIOCC3		
	TIOCD0			TIOCD3		
Counter clear function	TGR	TGR	TGR	TGR	TGR	TGR
	compare match or input capture	compare match or input capture	compare match or input capture	compare match or input capture	compare match or input capture	compare match or input capture
Compare match output	0 output	O	O	O	O	O
	1 output	O	O	O	O	O
	Toggle output	O	O	O	O	O
Input capture function	O	O	O	O	O	O
Synchronous operation	O	O	O	O	O	O
PWM mode	O	O	O	O	O	O
Phase counting mode	—	O	O	—	O	O
Buffer operation	O	—	—	O	—	—

Item	Channel 0	Channel 1	Channel 2	Channel 3	Channel 4	Channel 5
DTC activation	TGR compare match or input capture	TGR compare match or input capture	TGR compare match or input capture	TGR compare match or input capture	TGR compare match or input capture	TGR compare match or input capture
DMAC activation	TGRA_0 compare match or input capture	TGRA_1 compare match or input capture	TGRA_2 compare match or input capture	TGRA_3 compare match or input capture	TGRA_4 compare match or input capture	TGRA_5 compare match or input capture
A/D converter trigger	TGRA_0 compare match or input capture	TGRA_1 compare match or input capture	TGRA_2 compare match or input capture	TGRA_3 compare match or input capture	TGRA_4 compare match or input capture	TGRA_5 compare match or input capture
PPG trigger	TGRA_0/ TGRB_0 compare match or input capture	TGRA_1/ TGRB_1 compare match or input capture	TGRA_2/ TGRB_2 compare match or input capture	TGRA_3/ TGRB_3 compare match or input capture	—	—
Interrupt sources	5 sources Compare match or input capture 0A Compare match or input capture 0B Compare match or input capture 0D Overflow	4 sources Compare match or input capture 1A Compare match or input capture 1B Overflow Underflow	4 sources Compare match or input capture 2A Compare match or input capture 2B Overflow Underflow	5 sources Compare match or input capture 3A Compare match or input capture 3B Compare match or input capture 3C Compare match or input capture 3D Overflow	4 sources Compare match or input capture 4A Compare match or input capture 4B Overflow Underflow	4 sources Compare match or input capture 5A Compare match or input capture 5B Overflow Underflow

[Legend]

- : Possible
 — : Not possible

Table 10.3 TPU Functions (Unit 1)

Item	Channel 6	Channel 7	Channel 8	Channel 9	Channel 10	Channel 11
Count clock	P ϕ /1	P ϕ /1	P ϕ /1	P ϕ /1	P ϕ /1	P ϕ /1
	P ϕ /4	P ϕ /4	P ϕ /4	P ϕ /4	P ϕ /4	P ϕ /4
	P ϕ /16	P ϕ /16	P ϕ /16	P ϕ /16	P ϕ /16	P ϕ /16
	P ϕ /64	P ϕ /64	P ϕ /64	P ϕ /64	P ϕ /64	P ϕ /64
	TCLKE	P ϕ /256	P ϕ /1024	P ϕ /256	P ϕ /1024	P ϕ /256
	TCLKF	TCLKE	TCLKE	P ϕ /1024	TCLKE	TCLKE
	TCLKG	TCLKF	TCLKF	P ϕ /4096	TCLKG	TCLKG
	TCLKH		TCLKG	TCLKE		TCLKH
General registers (TGR)	TGRA_6	TGRA_7	TGRA_8	TGRA_9	TGRA_10	TGRA_11
	TGRB_6	TGRB_7	TGRB_8	TGRB_9	TGRB_10	TGRB_11
General registers/ buffer registers	TGRC_6	—	—	TGRC_9	—	—
	TGRD_6			TGRD_9		
I/O pins	TIOCA6	TIOCA7	TIOCA8	TIOCA9	TIOCA10	TIOCA11
	TIOCB6	TIOCB7	TIOCB8	TIOCB9	TIOCB10	TIOCB11
	TIOCC6			TIOCC9		
	TIOCD6			TIOCD9		
Counter clear function	TGR	TGR	TGR	TGR	TGR	TGR
	compare match or input capture	compare match or input capture	compare match or input capture	compare match or input capture	compare match or input capture	compare match or input capture
Compare match output	0 output	O	O	O	O	O
	1 output	O	O	O	O	O
	Toggle output	O	O	O	O	O
Input capture function	O	O	O	O	O	O
Synchronous operation	O	O	O	O	O	O
PWM mode	O	O	O	O	O	O
Phase counting mode	—	O	O	—	O	O
Buffer operation	O	—	—	O	—	—
DTC activation	TGR	TGR	TGR	TGR	TGR	TGR
	compare match or input capture	compare match or input capture	compare match or input capture	compare match or input capture	compare match or input capture	compare match or input capture
DMAC activation	TGRA_6	TGRA_7	TGRA_8	TGRA_9	TGRA_10	TGRA_11
	compare match or input capture	compare match or input capture	compare match or input capture	compare match or input capture	compare match or input capture	compare match or input capture

Item	Channel 6	Channel 7	Channel 8	Channel 9	Channel 10	Channel 11
Interrupt sources	5 sources	4 sources	4 sources	5 sources	4 sources	4 sources
	Compare match or input capture 6A	Compare match or input capture 7A	Compare match or input capture 8A	Compare match or input capture 9A	Compare match or input capture 10A	Compare match or input capture 11A
	Compare match or input capture 6B	Compare match or input capture 7B	Compare match or input capture 8B	Compare match or input capture 9B	Compare match or input capture 10B	Compare match or input capture 11B
	Compare match or input capture 6C	Overflow	Overflow	Compare match or input capture 9C	Overflow	Overflow
	Compare match or input capture 6D	Underflow	Underflow	Compare match or input capture 9D	Underflow	Underflow
	Overflow			Overflow		

[Legend]

O : Possible

— : Not possible

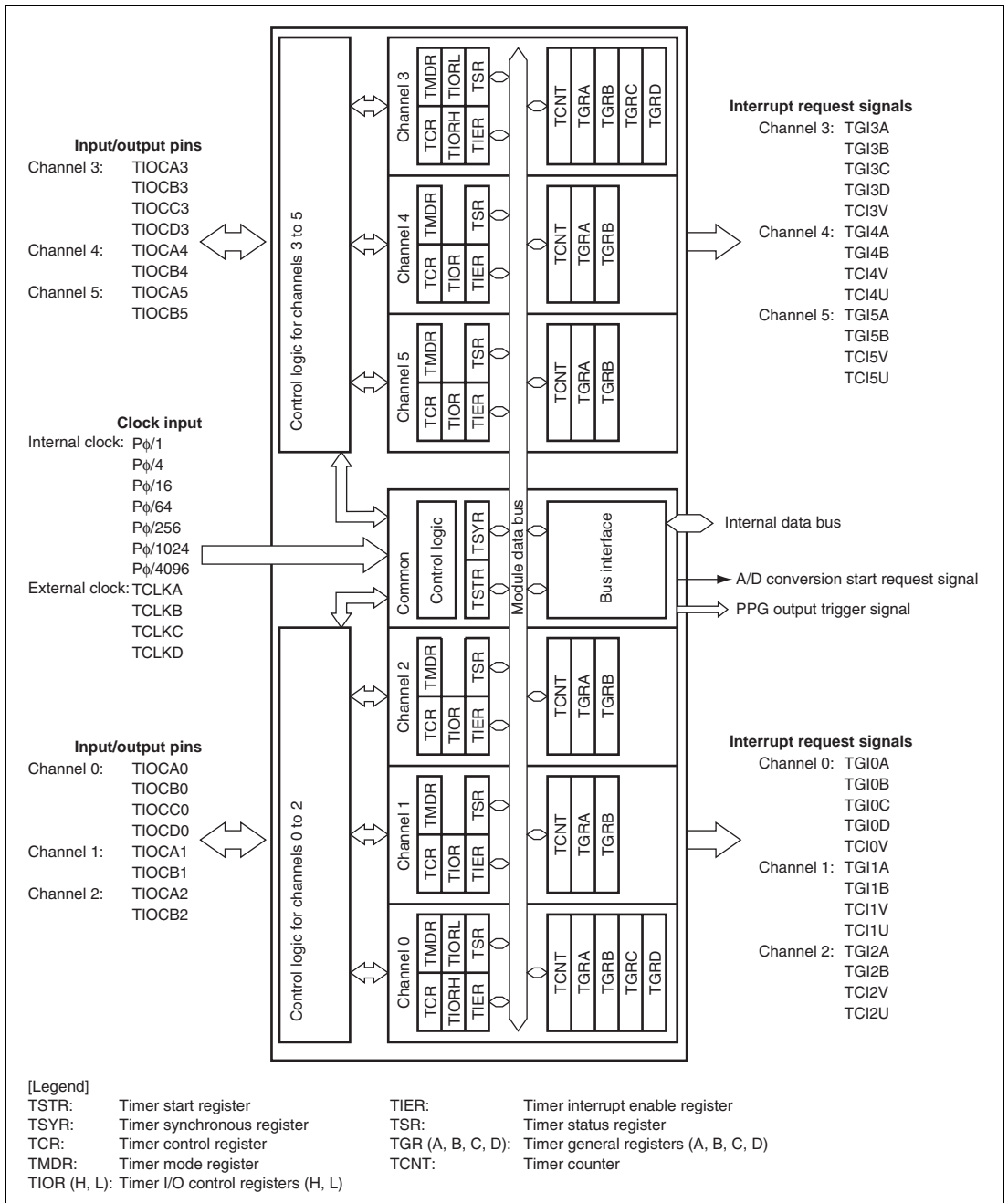


Figure 10.1 Block Diagram of TPU (Unit 0)

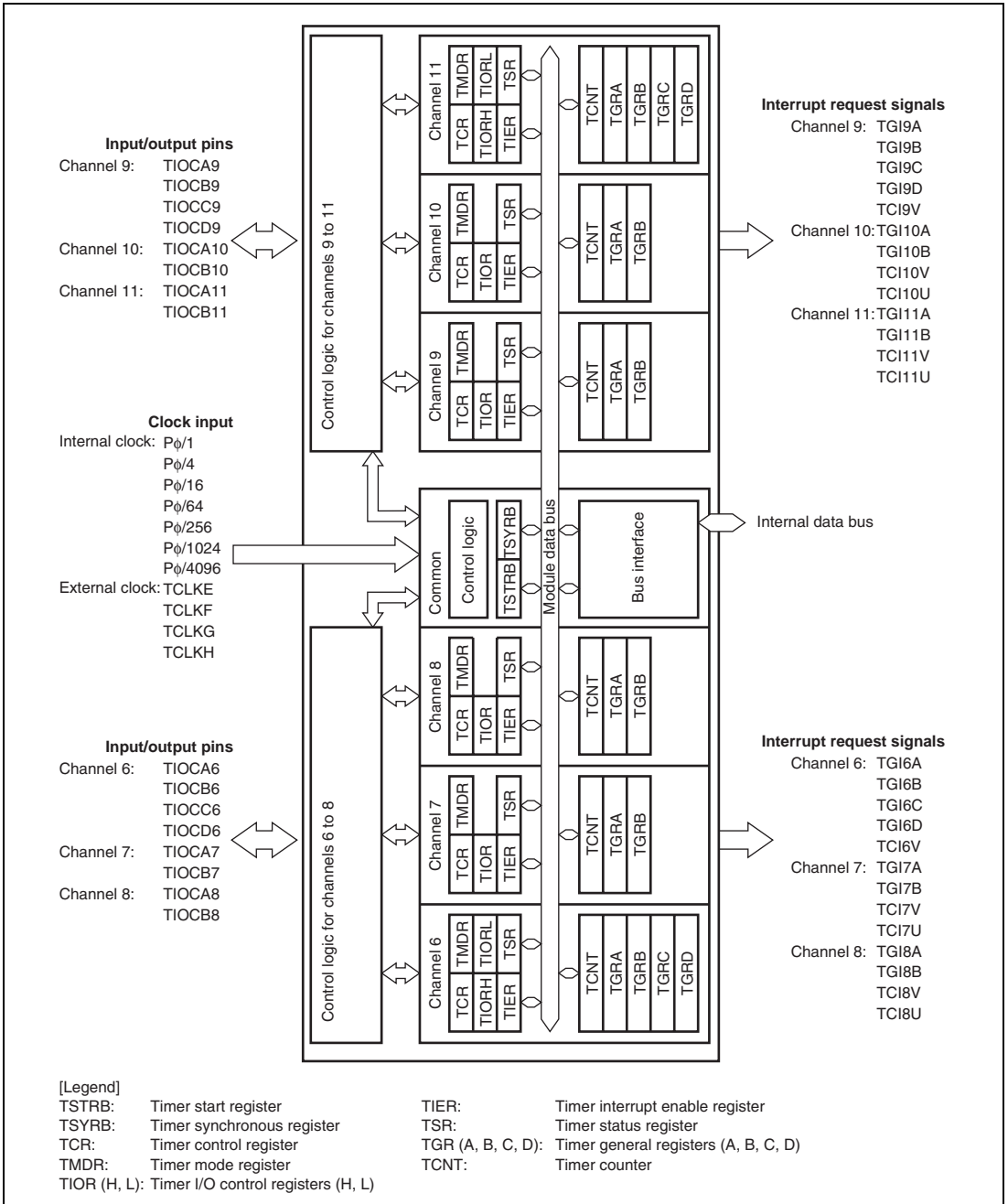


Figure 10.2 Block Diagram of TPU (Unit 1)

10.2 Input/Output Pins

Table 10.4 shows TPU pin configurations.

Table 10.4 Pin Configuration

Unit	Channel	Symbol	I/O	Function
0	All	TCLKA	Input	External clock A input pin (Channel 1 and 5 phase counting mode A phase input)
		TCLKB	Input	External clock B input pin (Channel 1 and 5 phase counting mode B phase input)
		TCLKC	Input	External clock C input pin (Channel 2 and 4 phase counting mode A phase input)
		TCLKD	Input	External clock D input pin (Channel 2 and 4 phase counting mode B phase input)
0		TIOCA0	I/O	TGRA_0 input capture input/output compare output/PWM output pin
		TIOCB0	I/O	TGRB_0 input capture input/output compare output/PWM output pin
		TIOCC0	I/O	TGRC_0 input capture input/output compare output/PWM output pin
		TIOCD0	I/O	TGRD_0 input capture input/output compare output/PWM output pin
1		TIOCA1	I/O	TGRA_1 input capture input/output compare output/PWM output pin
		TIOCB1	I/O	TGRB_1 input capture input/output compare output/PWM output pin
2		TIOCA2	I/O	TGRA_2 input capture input/output compare output/PWM output pin
		TIOCB2	I/O	TGRB_2 input capture input/output compare output/PWM output pin
3		TIOCA3	I/O	TGRA_3 input capture input/output compare output/PWM output pin
		TIOCB3	I/O	TGRB_3 input capture input/output compare output/PWM output pin
		TIOCC3	I/O	TGRC_3 input capture input/output compare output/PWM output pin
		TIOCD3	I/O	TGRD_3 input capture input/output compare output/PWM output pin
4		TIOCA4	I/O	TGRA_4 input capture input/output compare output/PWM output pin
		TIOCB4	I/O	TGRB_4 input capture input/output compare output/PWM output pin
5		TIOCA5	I/O	TGRA_5 input capture input/output compare output/PWM output pin
		TIOCB5	I/O	TGRB_5 input capture input/output compare output/PWM output pin

Unit	Channel	Symbol	I/O	Function
1	All	TCLKE	Input	External clock A input pin (Channel 7 and 11 phase counting mode A phase input)
		TCLKF	Input	External clock B input pin (Channel 7 and 11 phase counting mode B phase input)
		TCLKG	Input	External clock C input pin (Channel 8 and 10 phase counting mode A phase input)
		TCLKH	Input	External clock D input pin (Channel 8 and 10 phase counting mode B phase input)
6		TIOCA6	I/O	TGRA_6 input capture input/output compare output/PWM output pin
		TIOCB6	I/O	TGRB_6 input capture input/output compare output/PWM output pin
		TIOCC6	I/O	TGRC_6 input capture input/output compare output/PWM output pin
		TIOCD6	I/O	TGRD_6 input capture input/output compare output/PWM output pin
7		TIOCA7	I/O	TGRA_7 input capture input/output compare output/PWM output pin
		TIOCB7	I/O	TGRB_7 input capture input/output compare output/PWM output pin
8		TIOCA8	I/O	TGRA_8 input capture input/output compare output/PWM output pin
		TIOCB8	I/O	TGRB_8 input capture input/output compare output/PWM output pin
9		TIOCA9	I/O	TGRA_9 input capture input/output compare output/PWM output pin
		TIOCB9	I/O	TGRB_9 input capture input/output compare output/PWM output pin
		TIOCC9	I/O	TGRC_9 input capture input/output compare output/PWM output pin
		TIOCD9	I/O	TGRD_9 input capture input/output compare output/PWM output pin
10		TIOCA10	I/O	TGRA_10 input capture input/output compare output/PWM output pin
		TIOCB10	I/O	TGRB_10 input capture input/output compare output/PWM output pin
11		TIOCA11	I/O	TGRA_11 input capture input/output compare output/PWM output pin
		TIOCB11	I/O	TGRB_11 input capture input/output compare output/PWM output pin

10.3 Register Descriptions

The TPU has the following registers in each channel.

The registers for unit 0 and unit 1 have the same functions except bit 7 (TTGE bit for unit 0 and reserved bit for unit 1) in TIER. This section describes unit 0 registers.

- Unit 0

Channel 0:

- Timer control register_0 (TCR_0)
- Timer mode register_0 (TMDR_0)
- Timer I/O control register H_0 (TIORH_0)
- Timer I/O control register L_0 (TIORL_0)
- Timer interrupt enable register_0 (TIER_0)
- Timer status register_0 (TSR_0)
- Timer counter_0 (TCNT_0)
- Timer general register A_0 (TGRA_0)
- Timer general register B_0 (TGRB_0)
- Timer general register C_0 (TGRC_0)
- Timer general register D_0 (TGRD_0)

Channel 1:

- Timer control register_1 (TCR_1)
- Timer mode register_1 (TMDR_1)
- Timer I/O control register _1 (TIOR_1)
- Timer interrupt enable register_1 (TIER_1)
- Timer status register_1 (TSR_1)
- Timer counter_1 (TCNT_1)
- Timer general register A_1 (TGRA_1)
- Timer general register B_1 (TGRB_1)

Channel 2:

- Timer control register_2 (TCR_2)
- Timer mode register_2 (TMDR_2)
- Timer I/O control register_2 (TIOR_2)
- Timer interrupt enable register_2 (TIER_2)
- Timer status register_2 (TSR_2)
- Timer counter_2 (TCNT_2)
- Timer general register A_2 (TGRA_2)
- Timer general register B_2 (TGRB_2)

Channel 3:

- Timer control register_3 (TCR_3)
- Timer mode register_3 (TMDR_3)
- Timer I/O control register H_3 (TIORH_3)
- Timer I/O control register L_3 (TIORL_3)
- Timer interrupt enable register_3 (TIER_3)
- Timer status register_3 (TSR_3)
- Timer counter_3 (TCNT_3)
- Timer general register A_3 (TGRA_3)
- Timer general register B_3 (TGRB_3)
- Timer general register C_3 (TGRC_3)
- Timer general register D_3 (TGRD_3)

Channel 4:

- Timer control register_4 (TCR_4)
- Timer mode register_4 (TMDR_4)
- Timer I/O control register_4 (TIOR_4)
- Timer interrupt enable register_4 (TIER_4)
- Timer status register_4 (TSR_4)
- Timer counter_4 (TCNT_4)
- Timer general register A_4 (TGRA_4)
- Timer general register B_4 (TGRB_4)

Channel 5:

- Timer control register_5 (TCR_5)
- Timer mode register_5 (TMDR_5)
- Timer I/O control register_5 (TIOR_5)
- Timer interrupt enable register_5 (TIER_5)
- Timer status register_5 (TSR_5)
- Timer counter_5 (TCNT_5)
- Timer general register A_5 (TGRA_5)
- Timer general register B_5 (TGRB_5)

Common Registers

- Timer start register (TSTR)
- Timer synchronous register (TSYR)

- Unit 1

Channel 6:

- Timer control register_6 (TCR_6)
- Timer mode register_6 (TMDR_6)
- Timer I/O control register H_6 (TIORH_6)
- Timer I/O control register L_6 (TIORL_6)
- Timer interrupt enable register_6 (TIER_6)
- Timer status register_6 (TSR_6)
- Timer counter_6 (TCNT_6)
- Timer general register A_6 (TGRA_6)
- Timer general register B_6 (TGRB_6)
- Timer general register C_6 (TGRC_6)
- Timer general register D_6 (TGRD_6)

Channel 7:

- Timer control register_7 (TCR_7)
- Timer mode register_7 (TMDR_7)
- Timer I/O control register_7 (TIOR_7)
- Timer interrupt enable register_7 (TIER_7)
- Timer status register_7 (TSR_7)
- Timer counter_7 (TCNT_7)
- Timer general register A_7 (TGRA_7)
- Timer general register B_7 (TGRB_7)

Channel 8:

- Timer control register_8 (TCR_8)
- Timer mode register_8 (TMDR_8)
- Timer I/O control register_8 (TIOR_8)
- Timer interrupt enable register_8 (TIER_8)
- Timer status register_8 (TSR_8)
- Timer counter_8 (TCNT_8)
- Timer general register A_8 (TGRA_8)
- Timer general register B_8 (TGRB_8)

Channel 9:

- Timer control register_9 (TCR_9)
- Timer mode register_9 (TMDR_9)
- Timer I/O control register H_9 (TIORH_9)
- Timer I/O control register L_9 (TIORL_9)
- Timer interrupt enable register_9 (TIER_9)
- Timer status register_9 (TSR_9)
- Timer counter_9 (TCNT_9)
- Timer general register A_9 (TGRA_9)
- Timer general register B_9 (TGRB_9)
- Timer general register C_9 (TGRC_9)
- Timer general register D_9 (TGRD_9)

Channel 10:

- Timer control register_10 (TCR_10)
- Timer mode register_10 (TMDR_10)
- Timer I/O control register_10 (TIOR_10)
- Timer interrupt enable register_10 (TIER_10)
- Timer status register_10 (TSR_10)
- Timer counter_10 (TCNT_10)
- Timer general register A_10 (TGRA_10)
- Timer general register B_10 (TGRB_10)

Channel 11:

- Timer control register_11 (TCR_11)
- Timer mode register_11 (TMDR_11)
- Timer I/O control register_11 (TIOR_11)
- Timer interrupt enable register_11 (TIER_11)
- Timer status register_11 (TSR_11)
- Timer counter_11 (TCNT_11)
- Timer general register A_11 (TGRA_11)
- Timer general register B_11 (TGRB_11)

Common Registers

- Timer start register (TSTRB)
- Timer synchronous register (TSYRB)

10.3.1 Timer Control Register (TCR)

TCR controls the TCNT operation for each channel. The TPU has a total of six TCR registers, one for each channel. TCR register settings should be made only while TCNT operation is stopped.

Bit	7	6	5	4	3	2	1	0
Bit Name	CCLR2	CCLR1	CCLR0	CKEG1	CKEG0	TPSC2	TPSC1	TPSC0
Initial Value	0	0	0	0	0	0	0	0
R/W	R/W	R/W	R/W	R/W	R/W	R/W	R/W	R/W

Bit	Bit Name	Initial Value	R/W	Description
7	CCLR2	0	R/W	Counter Clear 2 to 0
6	CCLR1	0	R/W	These bits select the TCNT counter clearing source. See tables 10.5 and 10.6 for details.
5	CCLR0	0	R/W	
4	CKEG1	0	R/W	Clock Edge 1 and 0
3	CKEG0	0	R/W	These bits select the input clock edge. For details, see table 10.7. When the input clock is counted using both edges, the input clock period is halved (e.g. $P\phi/4$ both edges = $P\phi/2$ rising edge). If phase counting mode is used on channels 1, 2, 4, and 5, this setting is ignored and the phase counting mode setting has priority. Internal clock edge selection is valid when the input clock is $P\phi/4$ or slower. This setting is ignored if the input clock is $P\phi/1$, or when overflow/underflow of another channel is selected.
2	TPSC2	0	R/W	Timer Prescaler 2 to 0
1	TPSC1	0	R/W	These bits select the TCNT counter clock. The clock source can be selected independently for each channel. See tables 10.8 to 10.13 for details. To select the external clock as the clock source, the DDR bit and ICR bit for the corresponding pin should be set to 0 and 1, respectively. For details, see section 9, I/O Ports.
0	TPSC0	0	R/W	

Table 10.5 CCLR2 to CCLR0 (Channels 0 and 3)

Channel	Bit 7 CCLR2	Bit 6 CCLR1	Bit 5 CCLR0	Description
0, 3	0	0	0	TCNT clearing disabled
	0	0	1	TCNT cleared by TGRA compare match/input capture
	0	1	0	TCNT cleared by TGRB compare match/input capture
	0	1	1	TCNT cleared by counter clearing for another channel performing synchronous clearing/synchronous operation* ¹
	1	0	0	TCNT clearing disabled
	1	0	1	TCNT cleared by TGRC compare match/input capture* ²
	1	1	0	TCNT cleared by TGRD compare match/input capture* ²
	1	1	1	TCNT cleared by counter clearing for another channel performing synchronous clearing/synchronous operation* ¹

- Notes: 1. Synchronous operation is selected by setting the SYNC bit in TSYR to 1.
 2. When TGRC or TGRD is used as a buffer register, TCNT is not cleared because the buffer register setting has priority, and compare match/input capture does not occur.

Table 10.6 CCLR2 to CCLR0 (Channels 1, 2, 4, and 5)

Channel	Bit 7* ² Reserved	Bit 6 CCLR1	Bit 5 CCLR0	Description
1, 2, 4, 5	0	0	0	TCNT clearing disabled
	0	0	1	TCNT cleared by TGRA compare match/input capture
	0	1	0	TCNT cleared by TGRB compare match/input capture
	0	1	1	TCNT cleared by counter clearing for another channel performing synchronous clearing/synchronous operation* ¹

- Notes: 1. Synchronous operation is selected by setting the SYNC bit in TSYR to 1.
 2. Bit 7 is reserved in channels 1, 2, 4, and 5. It is a read-only bit and cannot be modified.

Table 10.7 Input Clock Edge Selection

Clock Edge Selection		Input Clock	
CKEG1	CKEG0	Internal Clock	External Clock
0	0	Counted at falling edge	Counted at rising edge
0	1	Counted at rising edge	Counted at falling edge
1	X	Counted at both edges	Counted at both edges

[Legend]

X: Don't care

Table 10.8 TPSC2 to TPSC0 (Channel 0)

Channel	Bit 2 TPSC2	Bit 1 TPSC1	Bit 0 TPSC0	Description
0	0	0	0	Internal clock: counts on P ϕ /1
	0	0	1	Internal clock: counts on P ϕ /4
	0	1	0	Internal clock: counts on P ϕ /16
	0	1	1	Internal clock: counts on P ϕ /64
	1	0	0	External clock: counts on TCLKA pin input
	1	0	1	External clock: counts on TCLKB pin input
	1	1	0	External clock: counts on TCLKC pin input
	1	1	1	External clock: counts on TCLKD pin input

Table 10.9 TPSC2 to TPSC0 (Channel 1)

Channel	Bit 2 TPSC2	Bit 1 TPSC1	Bit 0 TPSC0	Description
1	0	0	0	Internal clock: counts on P ϕ /1
	0	0	1	Internal clock: counts on P ϕ /4
	0	1	0	Internal clock: counts on P ϕ /16
	0	1	1	Internal clock: counts on P ϕ /64
	1	0	0	External clock: counts on TCLKA pin input
	1	0	1	External clock: counts on TCLKB pin input
	1	1	0	Internal clock: counts on P ϕ /256
	1	1	1	Counts on TCNT2 overflow/underflow

Note: This setting is ignored when channel 1 is in phase counting mode.

Table 10.10 TPSC2 to TPSC0 (Channel 2)

Channel	Bit 2 TPSC2	Bit 1 TPSC1	Bit 0 TPSC0	Description
2	0	0	0	Internal clock: counts on P ϕ /1
	0	0	1	Internal clock: counts on P ϕ /4
	0	1	0	Internal clock: counts on P ϕ /16
	0	1	1	Internal clock: counts on P ϕ /64
	1	0	0	External clock: counts on TCLKA pin input
	1	0	1	External clock: counts on TCLKB pin input
	1	1	0	External clock: counts on TCLKC pin input
	1	1	1	Internal clock: counts on P ϕ /1024

Note: This setting is ignored when channel 2 is in phase counting mode.

Table 10.11 TPSC2 to TPSC0 (Channel 3)

Channel	Bit 2 TPSC2	Bit 1 TPSC1	Bit 0 TPSC0	Description
3	0	0	0	Internal clock: counts on P ϕ /1
	0	0	1	Internal clock: counts on P ϕ /4
	0	1	0	Internal clock: counts on P ϕ /16
	0	1	1	Internal clock: counts on P ϕ /64
	1	0	0	External clock: counts on TCLKA pin input
	1	0	1	Internal clock: counts on P ϕ /1024
	1	1	0	Internal clock: counts on P ϕ /256
	1	1	1	Internal clock: counts on P ϕ /4096

Table 10.12 TPSC2 to TPSC0 (Channel 4)

Channel	Bit 2 TPSC2	Bit 1 TPSC1	Bit 0 TPSC0	Description
4	0	0	0	Internal clock: counts on P ϕ /1
	0	0	1	Internal clock: counts on P ϕ /4
	0	1	0	Internal clock: counts on P ϕ /16
	0	1	1	Internal clock: counts on P ϕ /64
	1	0	0	External clock: counts on TCLKA pin input
	1	0	1	External clock: counts on TCLKC pin input
	1	1	0	Internal clock: counts on P ϕ /1024
	1	1	1	Counts on TCNT5 overflow/underflow

Note: This setting is ignored when channel 4 is in phase counting mode.

Table 10.13 TPSC2 to TPSC0 (Channel 5)

Channel	Bit 2 TPSC2	Bit 1 TPSC1	Bit 0 TPSC0	Description
5	0	0	0	Internal clock: counts on P ϕ /1
	0	0	1	Internal clock: counts on P ϕ /4
	0	1	0	Internal clock: counts on P ϕ /16
	0	1	1	Internal clock: counts on P ϕ /64
	1	0	0	External clock: counts on TCLKA pin input
	1	0	1	External clock: counts on TCLKC pin input
	1	1	0	Internal clock: counts on P ϕ /256
	1	1	1	External clock: counts on TCLKD pin input

Note: This setting is ignored when channel 5 is in phase counting mode.

10.3.2 Timer Mode Register (TMDR)

TMDR sets the operating mode for each channel. The TPU has six TMDR registers, one for each channel. TMDR register settings should be made only while TCNT operation is stopped.

Bit	7	6	5	4	3	2	1	0
Bit Name	—	—	BFB	BFA	MD3	MD2	MD1	MD0
Initial Value	1	1	0	0	0	0	0	0
R/W	R	R	R/W	R/W	R/W	R/W	R/W	R/W

Bit	Bit Name	Initial Value	R/W	Description
7, 6	—	All 1	R	Reserved These are read-only bits and cannot be modified.
5	BFB	0	R/W	Buffer Operation B Specifies whether TGRB is to normally operate, or TGRB and TGRD are to be used together for buffer operation. When TGRD is used as a buffer register, TGRD input capture/output compare is not generated. In channels 1, 2, 4, and 5, which have no TGRD, bit 5 is reserved. It is a read-only bit and cannot be modified. 0: TGRB operates normally 1: TGRB and TGRD used together for buffer operation
4	BFA	0	R/W	Buffer Operation A Specifies whether TGRA is to normally operate, or TGRA and TGRC are to be used together for buffer operation. When TGRC is used as a buffer register, TGRC input capture/output compare is not generated. In channels 1, 2, 4, and 5, which have no TGRC, bit 4 is reserved. It is a read-only bit and cannot be modified. 0: TGRA operates normally 1: TGRA and TGRC used together for buffer operation
3	MD3	0	R/W	Modes 3 to 0
2	MD2	0	R/W	Set the timer operating mode.
1	MD1	0	R/W	MD3 is a reserved bit. The write value should always be 0. See table 10.14 for details.
0	MD0	0	R/W	

Table 10.14 MD3 to MD0

Bit 3 MD3* ¹	Bit 2 MD2* ²	Bit 1 MD1	Bit 0 MD0	Description
0	0	0	0	Normal operation
0	0	0	1	Reserved
0	0	1	0	PWM mode 1
0	0	1	1	PWM mode 2
0	1	0	0	Phase counting mode 1
0	1	0	1	Phase counting mode 2
0	1	1	0	Phase counting mode 3
0	1	1	1	Phase counting mode 4
1	X	X	X	—

[Legend]

X: Don't care

Notes: 1. MD3 is a reserved bit. The write value should always be 0.

2. Phase counting mode cannot be set for channels 0 and 3. In this case, the write value should always be 0.

10.3.3 Timer I/O Control Register (TIOR)

TIOR controls TGR. The TPU has eight TIOR registers, two each for channels 0 and 3, and one each for channels 1, 2, 4, and 5. Care is required since TIOR is affected by the TMDR setting.

The initial output specified by TIOR is valid when the counter is stopped (the CST bit in TSTR is cleared to 0). Note also that, in PWM mode 2, the output at the point at which the counter is cleared to 0 is specified.

When TGRC or TGRD is designated for buffer operation, this setting is invalid and the register operates as a buffer register.

To designate the input capture pin in TIOR, the DDR bit and ICR bit for the corresponding pin should be set to 0 and 1, respectively. For details, see section 9, I/O Ports.

- TIORH_0, TIOR_1, TIOR_2, TIORH_3, TIOR_4, TIOR_5

Bit	7	6	5	4	3	2	1	0
Bit Name	IQB3	IQB2	IQB1	IQB0	IOA3	IOA2	IOA1	IOA0
Initial Value	0	0	0	0	0	0	0	0
R/W	R/W	R/W	R/W	R/W	R/W	R/W	R/W	R/W

- TIORL_0, TORL_3

Bit	7	6	5	4	3	2	1	0
Bit Name	IOD3	IOD2	IOD1	IOD0	IOC3	IOC2	IOC1	IOC0
Initial Value	0	0	0	0	0	0	0	0
R/W	R/W	R/W	R/W	R/W	R/W	R/W	R/W	R/W

- TIORH_0, TIOR_1, TIOR_2, TIORH_3, TIOR_4, TIOR_5

Bit	Bit Name	Initial Value	R/W	Description
7	IQB3	0	R/W	I/O Control B3 to B0
6	IQB2	0	R/W	Specify the function of TGRB.
5	IQB1	0	R/W	For details, see tables 10.15, 10.17, 10.18, 10.19, 10.21, and 10.22.
4	IQB0	0	R/W	
3	IOA3	0	R/W	I/O Control A3 to A0
2	IOA2	0	R/W	Specify the function of TGRA.
1	IOA1	0	R/W	For details, see tables 10.23, 10.25, 10.26, 10.27, 10.29, and 10.30.
0	IOA0	0	R/W	

- TIORL_0, TIORL_3:

Bit	Bit Name	Initial Value	R/W	Description
7	IOD3	0	R/W	I/O Control D3 to D0
6	IOD2	0	R/W	Specify the function of TGRD.
5	IOD1	0	R/W	For details, see tables 10.16, and 10.20.
4	IOD0	0	R/W	
3	IOC3	0	R/W	I/O Control C3 to C0
2	IOC2	0	R/W	Specify the function of TGRD.
1	IOC1	0	R/W	For details, see tables 10.24, and 10.28.
0	IOC0	0	R/W	

Table 10.15 TIORH_0

				Description		
Bit 7 IOB3	Bit 6 IOB2	Bit 5 IOB1	Bit 4 IOB0	TGRB_0 Function	TIOCB0 Pin Function	
0	0	0	0	Output compare register	Output disabled	
0	0	0	1		Initial output is 0 output 0 output at compare match	
0	0	1	0		Initial output is 0 output 1 output at compare match	
0	0	1	1		Initial output is 0 output Toggle output at compare match	
0	1	0	0		Output disabled	
0	1	0	1		Initial output is 1 output 0 output at compare match	
0	1	1	0		Initial output is 1 output 1 output at compare match	
0	1	1	1		Initial output is 1 output Toggle output at compare match	
1	0	0	0		Input capture register	Capture input source is TIOCB0 pin Input capture at rising edge
1	0	0	1			Capture input source is TIOCB0 pin Input capture at falling edge
1	0	1	x	Capture input source is TIOCB0 pin Input capture at both edges		
1	1	x	x	Capture input source is channel 1/count clock Input capture at TCNT_1 count-up/count-down*		

[Legend]

X: Don't care

Note: When bits TPSC2 to TPSC0 in TCR_1 are set to B'000 and P ϕ /1 is used as the TCNT_1 count clock, this setting is invalid and input capture is not generated.

Table 10.16 TIORL_0

Bit 7 IOD3	Bit 6 IOD2	Bit 5 IOD1	Bit 4 IOD0	Description		
				TGRD_0 Function	TIOCD0 Pin Function	
0	0	0	0	Output compare register* ²	Output disabled	
0	0	0	1		Initial output is 0 output 0 output at compare match	
0	0	1	0		Initial output is 0 output 1 output at compare match	
0	0	1	1		Initial output is 0 output Toggle output at compare match	
0	1	0	0		Output disabled	
0	1	0	1		Initial output is 1 output 0 output at compare match	
0	1	1	0		Initial output is 1 output 1 output at compare match	
0	1	1	1		Initial output is 1 output Toggle output at compare match	
1	0	0	0		Input capture register* ²	Capture input source is TIOCD0 pin Input capture at rising edge
1	0	0	1			Capture input source is TIOCD0 pin Input capture at falling edge
1	0	1	X	Capture input source is TIOCD0 pin Input capture at both edges		
1	1	X	X	Capture input source is channel 1/count clock Input capture at TCNT_1 count-up/count-down* ¹		

[Legend]

X: Don't care

- Notes: 1. When bits TPSC2 to TPSC0 in TCR_1 are set to B'000 and P_φ/1 is used as the TCNT_1 count clock, this setting is invalid and input capture is not generated.
2. When the BFB bit in TMDR_0 is set to 1 and TGRD_0 is used as a buffer register, this setting is invalid and input capture/output compare is not generated.

Table 10.17 TIOR_1

				Description		
Bit 7 IOB3	Bit 6 IOB2	Bit 5 IOB1	Bit 4 IOB0	TGRB_1 Function	TIOCB1 Pin Function	
0	0	0	0	Output compare register	Output disabled	
0	0	0	1		Initial output is 0 output 0 output at compare match	
0	0	1	0		Initial output is 0 output 1 output at compare match	
0	0	1	1		Initial output is 0 output Toggle output at compare match	
0	1	0	0		Output disabled	
0	1	0	1		Initial output is 1 output 0 output at compare match	
0	1	1	0		Initial output is 1 output 1 output at compare match	
0	1	1	1		Initial output is 1 output Toggle output at compare match	
1	0	0	0		Input capture register	Capture input source is TIOCB1 pin Input capture at rising edge
1	0	0	1			Capture input source is TIOCB1 pin Input capture at falling edge
1	0	1	X	Capture input source is TIOCB1 pin Input capture at both edges		
1	1	X	X	TGRC_0 compare match/input capture Input capture at generation of TGRC_0 compare match/input capture		

[Legend]

X: Don't care

Table 10.18 TIOR_2

Bit 7 IOB3	Bit 6 IOB2	Bit 5 IOB1	Bit 4 IOB0	TGRB_2 Function	Description	
					TIOCB2 Pin Function	
0	0	0	0	Output compare register	Output disabled	
0	0	0	1		Initial output is 0 output 0 output at compare match	
0	0	1	0		Initial output is 0 output 1 output at compare match	
0	0	1	1		Initial output is 0 output Toggle output at compare match	
0	1	0	0		Output disabled	
0	1	0	1		Initial output is 1 output 0 output at compare match	
0	1	1	0		Initial output is 1 output 1 output at compare match	
0	1	1	1		Initial output is 1 output Toggle output at compare match	
1	X	0	0		Input capture register	Capture input source is TIOCB2 pin Input capture at rising edge
1	X	0	1			Capture input source is TIOCB2 pin Input capture at falling edge
1	X	1	X	Capture input source is TIOCB2 pin Input capture at both edges		

[Legend]

X: Don't care

Table 10.19 TIORH_3

				Description		
Bit 7 IOB3	Bit 6 IOB2	Bit 5 IOB1	Bit 4 IOB0	TGRB_3 Function	TIOCB3 Pin Function	
0	0	0	0	Output compare register	Output disabled	
0	0	0	1		Initial output is 0 output 0 output at compare match	
0	0	1	0		Initial output is 0 output 1 output at compare match	
0	0	1	1		Initial output is 0 output Toggle output at compare match	
0	1	0	0		Output disabled	
0	1	0	1		Initial output is 1 output 0 output at compare match	
0	1	1	0		Initial output is 1 output 1 output at compare match	
0	1	1	1		Initial output is 1 output Toggle output at compare match	
1	0	0	0		Input capture register	Capture input source is TIOCB3 pin Input capture at rising edge
1	0	0	1			Capture input source is TIOCB3 pin Input capture at falling edge
1	0	1	x	Capture input source is TIOCB3 pin Input capture at both edges		
1	1	x	x	Capture input source is channel 4/count clock Input capture at TCNT_4 count-up/count-down*		

[Legend]

X: Don't care

Note: When bits TPSC2 to TPSC0 in TCR_4 are set to B'000 and P ϕ /1 is used as the TCNT_4 count clock, this setting is invalid and input capture is not generated.

Table 10.20 TIORL_3

Bit 7 IOD3	Bit 6 IOD2	Bit 5 IOD1	Bit 4 IOD0	Description		
				TGRD_3 Function	TIOCD3 Pin Function	
0	0	0	0	Output compare register* ²	Output disabled	
0	0	0	1		Initial output is 0 output 0 output at compare match	
0	0	1	0		Initial output is 0 output 1 output at compare match	
0	0	1	1		Initial output is 0 output Toggle output at compare match	
0	1	0	0		Output disabled	
0	1	0	1		Initial output is 1 output 0 output at compare match	
0	1	1	0		Initial output is 1 output 1 output at compare match	
0	1	1	1		Initial output is 1 output Toggle output at compare match	
1	0	0	0		Input capture register* ²	Capture input source is TIOCD3 pin Input capture at rising edge
1	0	0	1			Capture input source is TIOCD3 pin Input capture at falling edge
1	0	1	x	Capture input source is TIOCD3 pin Input capture at both edges		
1	1	x	x	Capture input source is channel 4/count clock Input capture at TCNT_4 count-up/count-down* ¹		

[Legend]

X: Don't care

- Notes: 1. When bits TPSC2 to TPSC0 in TCR_4 are set to B'000 and P_φ/1 is used as the TCNT_4 count clock, this setting is invalid and input capture is not generated.
2. When the BFB bit in TMDR_3 is set to 1 and TGRD_3 is used as a buffer register, this setting is invalid and input capture/output compare is not generated.

Table 10.21 TIOR_4

				Description		
Bit 7 IOB3	Bit 6 IOB2	Bit 5 IOB1	Bit 4 IOB0	TGRB_4 Function	TIOCB4 Pin Function	
0	0	0	0	Output compare register	Output disabled	
0	0	0	1		Initial output is 0 output 0 output at compare match	
0	0	1	0		Initial output is 0 output 1 output at compare match	
0	0	1	1		Initial output is 0 output Toggle output at compare match	
0	1	0	0		Output disabled	
0	1	0	1		Initial output is 1 output 0 output at compare match	
0	1	1	0		Initial output is 1 output 1 output at compare match	
0	1	1	1		Initial output is 1 output Toggle output at compare match	
1	0	0	0		Input capture register	Capture input source is TIOCB4 pin Input capture at rising edge
1	0	0	1			Capture input source is TIOCB4 pin Input capture at falling edge
1	0	1	x	Capture input source is TIOCB4 pin Input capture at both edges		
1	1	x	x	Capture input source is TGRC_3 compare match/input capture Input capture at generation of TGRC_3 compare match/input capture		

[Legend]

X: Don't care

Table 10.22 TIOR_5

				Description		
Bit 7 IOB3	Bit 6 IOB2	Bit 5 IOB1	Bit 4 IOB0	TGRB_5 Function	TIOCB5 Pin Function	
0	0	0	0	Output compare register	Output disabled	
0	0	0	1		Initial output is 0 output 0 output at compare match	
0	0	1	0		Initial output is 0 output 1 output at compare match	
0	0	1	1		Initial output is 0 output Toggle output at compare match	
0	1	0	0		Output disabled	
0	1	0	1		Initial output is 1 output 0 output at compare match	
0	1	1	0		Initial output is 1 output 1 output at compare match	
0	1	1	1		Initial output is 1 output Toggle output at compare match	
1	x	0	0		Input capture register	Capture input source is TIOCB5 pin Input capture at rising edge
1	x	0	1			Capture input source is TIOCB5 pin Input capture at falling edge
1	x	1	x	Capture input source is TIOCB5 pin Input capture at both edges		

[Legend]

X: Don't care

Table 10.23 TIORH_0

				Description	
Bit 3 IOA3	Bit 2 IOA2	Bit 1 IOA1	Bit 0 IOA0	TGRA_0 Function	TIOCA0 Pin Function
0	0	0	0	Output compare register	Output disabled
0	0	0	1		Initial output is 0 output 0 output at compare match

Description

Bit 3 IOA3	Bit 2 IOA2	Bit 1 IOA1	Bit 0 IOA0	TGRA_0 Function	TIOCA0 Pin Function
0	0	1	0		Initial output is 0 output 1 output at compare match
0	0	1	1		Initial output is 0 output Toggle output at compare match
0	1	0	0		Output disabled
0	1	0	1		Initial output is 1 output 0 output at compare match
0	1	1	0		Initial output is 1 output 1 output at compare match
0	1	1	1		Initial output is 1 output Toggle output at compare match
1	0	0	1	Input capture register	Capture input source is TIOCA0 pin Input capture at rising edge
1	0	0	0		Capture input source is TIOCA0 pin Input capture at rising edge
1	0	1	X		Capture input source is TIOCA0 pin Input capture at both edges
1	1	X	X		Capture input source is channel 1/count clock Input capture* at TCNT_1 count-up/count-down

[Legend]

X: Don't care

Note: * When bits TPSC2 to TPSC0 in TCR_1 are set to B'000 and $P\phi/1$ is used as the TCNT_1 counter clock, this setting is ignored and an input capture interrupt is not generated.

Table 10.24 TIORL_0

Bit 3 IOC3	Bit 2 IOC2	Bit 1 IOC1	Bit 0 IOC0	Description	
				TGRC_0 Function	TIOCC0 Pin Function
0	0	0	0	Output compare register* ²	Output disabled
0	0	0	1		Initial output is 0 output 0 output at compare match
0	0	1	0		Initial output is 0 output 1 output at compare match
0	0	1	1		Initial output is 0 output Toggle output at compare match
0	1	0	0	Input capture register* ²	Output disabled
0	1	0	1		Initial output is 1 output 0 output at compare match
0	1	1	0		Initial output is 1 output 1 output at compare match
0	1	1	1		Initial output is 1 output Toggle output at compare match
1	0	0	0	Input capture register* ²	Capture input source is TIOCC0 pin Input capture at rising edge
1	0	0	1		Capture input source is TIOCC0 pin Input capture at falling edge
1	0	1	X		Capture input source is TIOCC0 pin Input capture at both edges
1	1	X	X		Capture input source is channel 1/count clock Input capture* ¹ at TCNT_1 count-up/count-down

[Legend]

X: Don't care

- Notes: 1. When bits TPSC2 to TPSC0 in TCR_1 are set to B'000 and P ϕ /1 is used as the TCNT_1 counter clock, this setting is ignored and an input capture interrupt is not generated.
2. When the BFA bit in TMDR_0 is set to 1 and TGRC_0 is used as a buffer register, this setting is invalid and input capture/output compare is not generated.

Table 10.25 TIOR_1

				Description		
Bit 3 IOA3	Bit 2 IOA2	Bit 1 IOA1	Bit 0 IOA0	TGRA_1 Function	TIOCA1 Pin Function	
0	0	0	0	Output compare register	Output disabled	
0	0	0	1		Initial output is 0 output 0 output at compare match	
0	0	1	0		Initial output is 0 output 1 output at compare match	
0	0	1	1		Initial output is 0 output Toggle output at compare match	
0	1	0	0		Output disabled	
0	1	0	1		Initial output is 1 output 0 output at compare match	
0	1	1	0		Initial output is 1 output 1 output at compare match	
0	1	1	1		Initial output is 1 output Toggle output at compare match	
1	0	0	0		Input capture register	Capture input source is TIOCA1 pin Input capture at rising edge
1	0	0	1			Capture input source is TIOCA1 pin Input capture at falling edge
1	0	1	X	Capture input source is TIOCA1 pin Input capture at both edges		
1	1	X	X	Capture input source is TGRA_0 compare match/input capture Input capture at generation of channel 0/TGRA_0 compare match/input capture		

[Legend]

X: Don't care

Table 10.26 TIOR_2

Bit 3 IOA3	Bit 2 IOA2	Bit 1 IOA1	Bit 0 IOA0	TGRA_2 Function	Description	
					TIOCA2 Pin Function	
0	0	0	0	Output compare register	Output disabled	
0	0	0	1		Initial output is 0 output 0 output at compare match	
0	0	1	0		Initial output is 0 output 1 output at compare match	
0	0	1	1		Initial output is 0 output Toggle output at compare match	
0	1	0	0		Output disabled	
0	1	0	1		Initial output is 1 output 0 output at compare match	
0	1	1	0		Initial output is 1 output 1 output at compare match	
0	1	1	1		Initial output is 1 output Toggle output at compare match	
1	X	0	0		Input capture register	Capture input source is TIOCA2 pin Input capture at rising edge
1	X	0	1			Capture input source is TIOCA2 pin Input capture at falling edge
1	X	1	X	Capture input source is TIOCA2 pin Input capture at both edges		

[Legend]

X: Don't care

Table 10.27 TIORH_3

				Description		
Bit 3 IOA3	Bit 2 IOA2	Bit 1 IOA1	Bit 0 IOA0	TGRA_3 Function	TIOCA3 Pin Function	
0	0	0	0	Output compare register	Output disabled	
0	0	0	1		Initial output is 0 output 0 output at compare match	
0	0	1	0		Initial output is 0 output 1 output at compare match	
0	0	1	1		Initial output is 0 output Toggle output at compare match	
0	1	0	0		Output disabled	
0	1	0	1		Initial output is 1 output 0 output at compare match	
0	1	1	0		Initial output is 1 output 1 output at compare match	
0	1	1	1		Initial output is 1 output Toggle output at compare match	
1	0	0	0		Input capture register	Capture input source is TIOCA3 pin Input capture at rising edge
1	0	0	1			Capture input source is TIOCA3 pin Input capture at falling edge
1	0	1	X	Capture input source is TIOCA3 pin Input capture at both edges		
1	1	X	X	Capture input source is channel 4/count clock Input capture* at TCNT_4 count-up/count-down		

[Legend]

X: Don't care

Note: * When bits TPSC2 to TPSC0 in TCR_4 are set to B'000 and P ϕ /1 is used as the TCNT_4 counter clock, this setting is ignored and an input capture interrupt is not generated.

Table 10.28 TIORL_3

Bit 3 IOC3	Bit 2 IOC2	Bit 1 IOC1	Bit 0 IOC0	Description		
				TGRC_3 Function	TIOCC3 Pin Function	
0	0	0	0	Output compare register* ²	Output disabled	
0	0	0	1		Initial output is 0 output 0 output at compare match	
0	0	1	0		Initial output is 0 output 1 output at compare match	
0	0	1	1		Initial output is 0 output Toggle output at compare match	
0	1	0	0		Output disabled	
0	1	0	1		Initial output is 1 output 0 output at compare match	
0	1	1	0		Initial output is 1 output 1 output at compare match	
0	1	1	1		Initial output is 1 output Toggle output at compare match	
1	0	0	0		Input capture register* ²	Capture input source is TIOCC3 pin Input capture at rising edge
1	0	0	1			Capture input source is TIOCC3 pin Input capture at falling edge
1	0	1	X	Capture input source is TIOCC3 pin Input capture at both edges		
1	1	X	X	Capture input source is channel 4/count clock Input capture* ¹ at TCNT_4 count-up/count-down		

[Legend]

X: Don't care

- Notes: 1. When bits TPSC2 to TPSC0 in TCR_4 are set to B'000 and P ϕ /1 is used as the TCNT_4 counter clock, this setting is ignored and an input capture interrupt is not generated.
2. When the BFA bit in TMDR_3 is set to 1 and TGRC_3 is used as a buffer register, this setting is invalid and input capture/output compare is not generated.

Table 10.29 TIOR_4

				Description		
Bit 3 IOA3	Bit 2 IOA2	Bit 1 IOA1	Bit 0 IOA0	TGRA_4 Function	TIOCA4 Pin Function	
0	0	0	0	Output compare register	Output disabled	
0	0	0	1		Initial output is 0 output 0 output at compare match	
0	0	1	0		Initial output is 0 output 1 output at compare match	
0	0	1	1		Initial output is 0 output Toggle output at compare match	
0	1	0	0		Output disabled	
0	1	0	1		Initial output is 1 output 0 output at compare match	
0	1	1	0		Initial output is 1 output 1 output at compare match	
0	1	1	1		Initial output is 1 output Toggle output at compare match	
1	0	0	0		Input capture register	Capture input source is TIOCA4 pin Input capture at rising edge
1	0	0	1			Capture input source is TIOCA4 pin Input capture at falling edge
1	0	1	X	Capture input source is TIOCA4 pin Input capture at both edges		
1	1	X	X	Capture input source is TGRA_3 compare match/input capture Input capture at generation of TGRA_3 compare match/input capture		

[Legend]

X: Don't care

Table 10.30 TIOR_5

Bit 3 IOA3	Bit 2 IOA2	Bit 1 IOA1	Bit 0 IOA0	TGRA_5 Function	Description	
					TIOCA5 Pin Function	
0	0	0	0	Output compare register	Output disabled	
0	0	0	1		Initial output is 0 output 0 output at compare match	
0	0	1	0		Initial output is 0 output 1 output at compare match	
0	0	1	1		Initial output is 0 output Toggle output at compare match	
0	1	0	0		Output disabled	
0	1	0	1		Initial output is 1 output 0 output at compare match	
0	1	1	0		Initial output is 1 output 1 output at compare match	
0	1	1	1		Initial output is 1 output Toggle output at compare match	
1	X	0	0		Input capture register	Input capture source is TIOCA5 pin Input capture at rising edge
1	X	0	1			Input capture source is TIOCA5 pin Input capture at falling edge
1	X	1	X	Input capture source is TIOCA5 pin Input capture at both edges		

[Legend]

X: Don't care

10.3.4 Timer Interrupt Enable Register (TIER)

TIER controls enabling or disabling of interrupt requests for each channel. The TPU has six TIER registers, one for each channel.

Bit	7	6	5	4	3	2	1	0
Bit Name	TTGE*	—	TCIEU	TCIEV	TGIED	TGIEC	TGIEB	TGIEA
Initial Value	0	1	0	0	0	0	0	0
R/W	R/W	R	R/W	R/W	R/W	R/W	R/W	R/W

Note: * Bit 7 in TIER for unit 1 is a reserved bit and is always read as 0. The write value should always be 0.

Bit	Bit Name	Initial value	R/W	Description
7	TTGE*	0	R/W	<p>A/D Conversion Start Request Enable</p> <p>Enables/disables generation of A/D conversion start requests by TGRA input capture/compare match.</p> <p>0: A/D conversion start request generation disabled</p> <p>1: A/D conversion start request generation enabled</p>
6	—	1	R	<p>Reserved</p> <p>This is a read-only bit and cannot be modified.</p>
5	TCIEU	0	R/W	<p>Underflow Interrupt Enable</p> <p>Enables/disables interrupt requests (TCIU) by the TCFU flag when the TCFU flag in TSR is set to 1 in channels 1, 2, 4, and 5.</p> <p>In channels 0 and 3, bit 5 is reserved. It is a read-only bit and cannot be modified.</p> <p>0: Interrupt requests (TCIU) by TCFU disabled</p> <p>1: Interrupt requests (TCIU) by TCFU enabled</p>
4	TCIEV	0	R/W	<p>Overflow Interrupt Enable</p> <p>Enables/disables interrupt requests (TCIV) by the TCFV flag when the TCFV flag in TSR is set to 1.</p> <p>0: Interrupt requests (TCIV) by TCFV disabled</p> <p>1: Interrupt requests (TCIV) by TCFV enabled</p>

Bit	Bit Name	Initial value	R/W	Description
3	TGIED	0	R/W	<p>TGR Interrupt Enable D</p> <p>Enables/disables interrupt requests (TGID) by the TGFD bit when the TGFD bit in TSR is set to 1 in channels 0 and 3.</p> <p>In channels 1, 2, 4, and 5, bit 3 is reserved. It is a read-only bit and cannot be modified.</p> <p>0: Interrupt requests (TGID) by TGFD bit disabled 1: Interrupt requests (TGID) by TGFD bit enabled</p>
2	TGIEC	0	R/W	<p>TGR Interrupt Enable C</p> <p>Enables/disables interrupt requests (TGIC) by the TGFC bit when the TGFC bit in TSR is set to 1 in channels 0 and 3.</p> <p>In channels 1, 2, 4, and 5, bit 2 is reserved. It is a read-only bit and cannot be modified.</p> <p>0: Interrupt requests (TGIC) by TGFC bit disabled 1: Interrupt requests (TGIC) by TGFC bit enabled</p>
1	TGIEB	0	R/W	<p>TGR Interrupt Enable B</p> <p>Enables/disables interrupt requests (TGIB) by the TGFB bit when the TGFB bit in TSR is set to 1.</p> <p>0: Interrupt requests (TGIB) by TGFB bit disabled 1: Interrupt requests (TGIB) by TGFB bit enabled</p>
0	TGIEA	0	R/W	<p>TGR Interrupt Enable A</p> <p>Enables/disables interrupt requests (TGIA) by the TGFA bit when the TGFA bit in TSR is set to 1.</p> <p>0: Interrupt requests (TGIA) by TGFA bit disabled 1: Interrupt requests (TGIA) by TGFA bit enabled</p>

Note: * Bit 7 in TIER for unit 1 is a reserved bit and is always read as 0. The write value should always be 0.

10.3.5 Timer Status Register (TSR)

TSR indicates the status of each channel. The TPU has six TSR registers, one for each channel.

Bit	7	6	5	4	3	2	1	0
Bit Name	TCFD	—	TCFU	TCFV	TGFD	TGFC	TGFB	TGFA
Initial Value	1	1	0	0	0	0	0	0
R/W	R	R	R/(W)*	R/(W)*	R/(W)*	R/(W)*	R/(W)*	R/(W)*

Note: * Only 0 can be written to bits 5 to 0, to clear flags.

Bit	Bit Name	Initial value	R/W	Description
7	TCFD	1	R	<p>Count Direction Flag</p> <p>Status flag that shows the direction in which TCNT counts in channels 1, 2, 4, and 5.</p> <p>In channels 0 and 3, bit 7 is reserved. It is a read-only bit and cannot be modified.</p> <p>0: TCNT counts down 1: TCNT counts up</p>
6	—	1	R	<p>Reserved</p> <p>This is a read-only bit and cannot be modified.</p>
5	TCFU	0	R/(W)*	<p>Underflow Flag</p> <p>Status flag that indicates that a TCNT underflow has occurred when channels 1, 2, 4, and 5 are set to phase counting mode.</p> <p>In channels 0 and 3, bit 5 is reserved. It is a read-only bit and cannot be modified.</p> <p>[Setting condition]</p> <ul style="list-style-type: none"> When the TCNT value underflows (changes from H'0000 to H'FFFF) <p>[Clearing condition]</p> <ul style="list-style-type: none"> When a 0 is written to TCFU after reading TCFU = 1 (When the CPU is used to clear this flag by writing 0 while the corresponding interrupt is enabled, be sure to read the flag after writing 0 to it.)

Bit	Bit Name	Initial value	R/W	Description
4	TCFV	0	R/(W)*	<p>Overflow Flag</p> <p>Status flag that indicates that a TCNT overflow has occurred.</p> <p>[Setting condition]</p> <ul style="list-style-type: none"> When the TCNT value overflows (changes from H'FFFF to H'0000) <p>[Clearing condition]</p> <ul style="list-style-type: none"> When a 0 is written to TCFV after reading TCFV = 1 (When the CPU is used to clear this flag by writing 0 while the corresponding interrupt is enabled, be sure to read the flag after writing 0 to it.)
3	TGFD	0	R/(W)*	<p>Input Capture/Output Compare Flag D</p> <p>Status flag that indicates the occurrence of TGRD input capture or compare match in channels 0 and 3.</p> <p>In channels 1, 2, 4, and 5, bit 3 is reserved. It is a read-only bit and cannot be modified.</p> <p>[Setting conditions]</p> <ul style="list-style-type: none"> When TCNT = TGRD while TGRD is functioning as output compare register When TCNT value is transferred to TGRD by input capture signal while TGRD is functioning as input capture register <p>[Clearing conditions]</p> <ul style="list-style-type: none"> When DTC is activated by a TGID interrupt while the DISEL bit in MRB of DTC is 0 When 0 is written to TGFD after reading TGFD = 1 (When the CPU is used to clear this flag by writing 0 while the corresponding interrupt is enabled, be sure to read the flag after writing 0 to it.)

Bit	Bit Name	Initial value	R/W	Description
2	TGFC	0	R/(W)*	<p>Input Capture/Output Compare Flag C</p> <p>Status flag that indicates the occurrence of TGRC input capture or compare match in channels 0 and 3.</p> <p>In channels 1, 2, 4, and 5, bit 2 is reserved. It is a read-only bit and cannot be modified.</p> <p>[Setting conditions]</p> <ul style="list-style-type: none"> • When TCNT = TGRC while TGRC is functioning as output compare register • When TCNT value is transferred to TGRC by input capture signal while TGRC is functioning as input capture register <p>[Clearing conditions]</p> <ul style="list-style-type: none"> • When DTC is activated by a TGIC interrupt while the DISEL bit in MRB of DTC is 0 • When 0 is written to TGFC after reading TGFC = 1 (When the CPU is used to clear this flag by writing 0 while the corresponding interrupt is enabled, be sure to read the flag after writing 0 to it.)
1	TGFB	0	R/(W)*	<p>Input Capture/Output Compare Flag B</p> <p>Status flag that indicates the occurrence of TGRB input capture or compare match.</p> <p>[Setting conditions]</p> <ul style="list-style-type: none"> • When TCNT = TGRB while TGRB is functioning as output compare register • When TCNT value is transferred to TGRB by input capture signal while TGRB is functioning as input capture register <p>[Clearing conditions]</p> <ul style="list-style-type: none"> • When DTC is activated by a TGIB interrupt while the DISEL bit in MRB of DTC is 0 • When 0 is written to TGFB after reading TGFB = 1 (When the CPU is used to clear this flag by writing 0 while the corresponding interrupt is enabled, be sure to read the flag after writing 0 to it.)

Bit	Bit Name	Initial value	R/W	Description
0	TGFA	0	R/(W)*	<p>Input Capture/Output Compare Flag A</p> <p>Status flag that indicates the occurrence of TGRA input capture or compare match.</p> <p>[Setting conditions]</p> <ul style="list-style-type: none"> • When TCNT = TGRA while TGRA is functioning as output compare register • When TCNT value is transferred to TGRA by input capture signal while TGRA is functioning as input capture register <p>[Clearing conditions]</p> <ul style="list-style-type: none"> • When DTC is activated by a TGIA interrupt while the DISEL bit in MRB of DTC is 0 • When DMAC is activated by a TGIA interrupt while the DTA bit in DMDR of DMAC is 1 • When 0 is written to TGFA after reading TGFA = 1 (When the CPU is used to clear this flag by writing 0 while the corresponding interrupt is enabled, be sure to read the flag after writing 0 to it.)

Note: * Only 0 can be written to clear the flag.

10.3.6 Timer Counter (TCNT)

TCNT is a 16-bit readable/writable counter. The TPU has six TCNT counters, one for each channel.

TCNT is initialized to H'0000 by a reset or in hardware standby mode.

TCNT cannot be accessed in 8-bit units. TCNT must always be accessed in 16-bit units.

Bit	15	14	13	12	11	10	9	8
Bit Name								
Initial Value	0	0	0	0	0	0	0	0
R/W	R/W	R/W	R/W	R/W	R/W	R/W	R/W	R/W
Bit	7	6	5	4	3	2	1	0
Bit Name								
Initial Value	0	0	0	0	0	0	0	0
R/W	R/W	R/W	R/W	R/W	R/W	R/W	R/W	R/W

10.3.7 Timer General Register (TGR)

TGR is a 16-bit readable/writable register with a dual function as output compare and input capture registers. The TPU has 16 TGR registers, four each for channels 0 and 3 and two each for channels 1, 2, 4, and 5. TGRC and TGRD for channels 0 and 3 can also be designated for operation as buffer registers. The TGR registers cannot be accessed in 8-bit units; they must always be accessed in 16-bit units. TGR and buffer register combinations during buffer operations are TGRA–TGRC and TGRB–TGRD.

Bit	15	14	13	12	11	10	9	8
Bit Name								
Initial Value	1	1	1	1	1	1	1	1
R/W	R/W	R/W	R/W	R/W	R/W	R/W	R/W	R/W
Bit	7	6	5	4	3	2	1	0
Bit Name								
Initial Value	1	1	1	1	1	1	1	1
R/W	R/W	R/W	R/W	R/W	R/W	R/W	R/W	R/W

10.3.8 Timer Start Register (TSTR)

TSTR starts or stops operation for channels 0 to 5. When setting the operating mode in TMDR or setting the count clock in TCR, first stop the TCNT counter.

Bit	7	6	5	4	3	2	1	0
Bit Name	—	—	CST5	CST4	CST3	CST2	CST1	CST0
Initial Value	0	0	0	0	0	0	0	0
R/W	R/W	R/W	R/W	R/W	R/W	R/W	R/W	R/W

Bit	Bit Name	Initial value	R/W	Description
7, 6	—	All 0	R/W	Reserved These bits are always read as 0. The write value should always be 0.
5	CST5	0	R/W	Counter Start 5 to 0
4	CST4	0	R/W	These bits select operation or stoppage for TCNT.
3	CST3	0	R/W	If 0 is written to the CST bit during operation with the TIOC pin designated for output, the counter stops but the TIOC pin output compare output level is retained. If TIOR is written to when the CST bit is cleared to 0, the pin output level will be changed to the set initial output value.
2	CST2	0	R/W	
1	CST1	0	R/W	
0	CST0	0	R/W	

0: TCNT_5 to TCNT_0 count operation is stopped
1: TCNT_5 to TCNT_0 performs count operation

10.3.9 Timer Synchronous Register (TSYR)

TSYR selects independent operation or synchronous operation for the TCNT counters of channels 0 to 5. A channel performs synchronous operation when the corresponding bit in TSYR is set to 1.

Bit	7	6	5	4	3	2	1	0
Bit Name	—	—	SYNC5	SYNC4	SYNC3	SYNC2	SYNC1	SYNC0
Initial Value	0	0	0	0	0	0	0	0
R/W	R/W	R/W	R/W	R/W	R/W	R/W	R/W	R/W

Bit	Bit Name	Initial value	R/W	Description
7, 6	—	All 0	R/W	Reserved These bits are always read as 0. The write value should always be 0.
5	SYNC5	0	R/W	Timer Synchronization 5 to 0
4	SYNC4	0	R/W	These bits select whether operation is independent of or synchronized with other channels.
3	SYNC3	0	R/W	When synchronous operation is selected, synchronous presetting of multiple channels, and synchronous clearing through counter clearing on another channel are possible.
2	SYNC2	0	R/W	
1	SYNC1	0	R/W	
0	SYNC0	0	R/W	To set synchronous operation, the SYNC bits for at least two channels must be set to 1. To set synchronous clearing, in addition to the SYNC bit, the TCNT clearing source must also be set by means of bits CCLR2 to CCLR0 in TCR. 0: TCNT_5 to TCNT_0 operate independently (TCNT presetting/clearing is unrelated to other channels) 1: TCNT_5 to TCNT_0 perform synchronous operation (TCNT synchronous presetting/synchronous clearing is possible)

10.4 Operation

10.4.1 Basic Functions

Each channel has a TCNT and TGR register. TCNT performs up-counting, and is also capable of free-running operation, periodic counting, and external event counting.

Each TGR can be used as an input capture register or output compare register.

(1) Counter Operation

When one of bits CST0 to CST5 is set to 1 in TSTR, the TCNT counter for the corresponding channel starts counting. TCNT can operate as a free-running counter, periodic counter, and so on.

(a) Example of count operation setting procedure

Figure 10.3 shows an example of the count operation setting procedure.

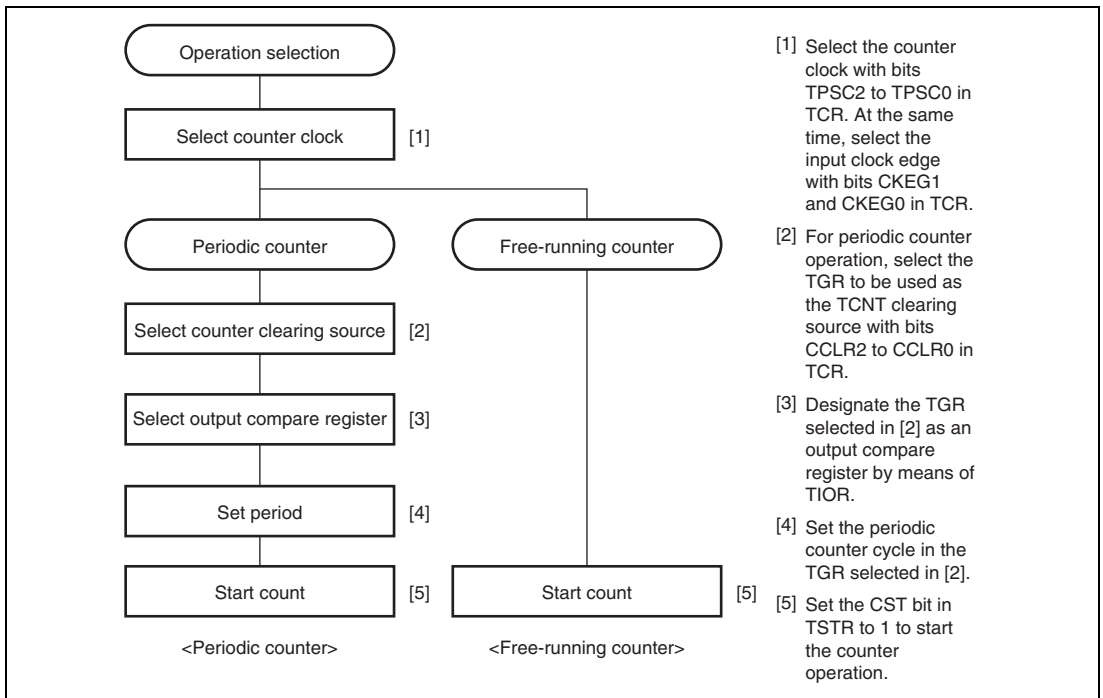


Figure 10.3 Example of Counter Operation Setting Procedure

(b) Free-running count operation and periodic count operation

Immediately after a reset, the TPU's TCNT counters are all designated as free-running counters. When the relevant bit in TSTR is set to 1 the corresponding TCNT counter starts up-count operation as a free-running counter. When TCNT overflows (changes from H'FFFF to H'0000), the TCFV bit in TSR is set to 1. If the value of the corresponding TCIEV bit in TIER is 1 at this point, the TPU requests an interrupt. After overflow, TCNT starts counting up again from H'0000.

Figure 10.4 illustrates free-running counter operation.

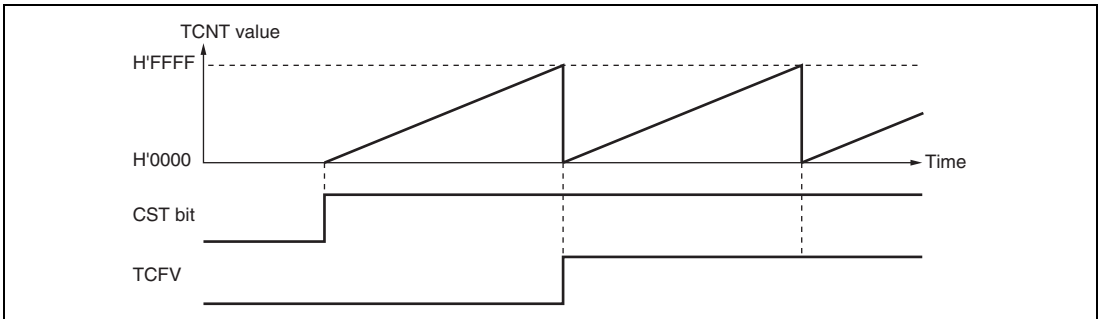


Figure 10.4 Free-Running Counter Operation

When compare match is selected as the TCNT clearing source, the TCNT counter for the relevant channel performs periodic count operation. The TGR register for setting the period is designated as an output compare register, and counter clearing by compare match is selected by means of bits CCLR2 to CCLR0 in TCR. After the settings have been made, TCNT starts count-up operation as a periodic counter when the corresponding bit in TSTR is set to 1. When the count value matches the value in TGR, the TGF bit in TSR is set to 1 and TCNT is cleared to H'0000.

If the value of the corresponding TGIE bit in TIER is 1 at this point, the TPU requests an interrupt. After a compare match, TCNT starts counting up again from H'0000.

Figure 10.5 illustrates periodic counter operation.

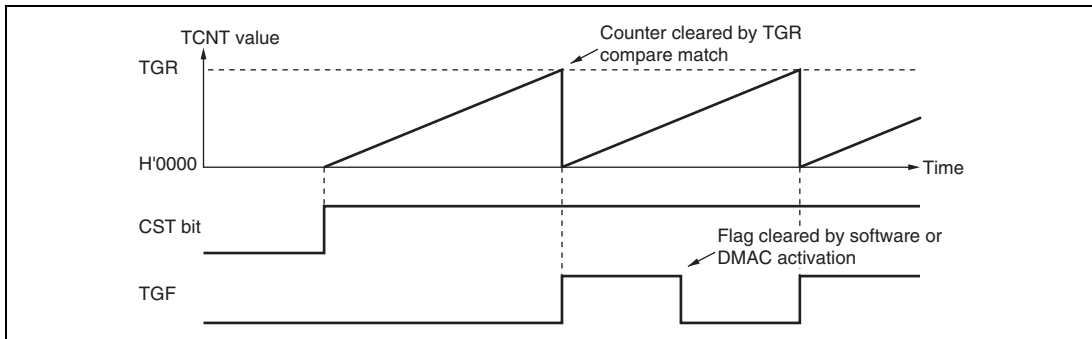


Figure 10.5 Periodic Counter Operation

(2) Waveform Output by Compare Match

The TPU can perform 0, 1, or toggle output from the corresponding output pin using a compare match.

(a) Example of setting procedure for waveform output by compare match

Figure 10.6 shows an example of the setting procedure for waveform output by a compare match.

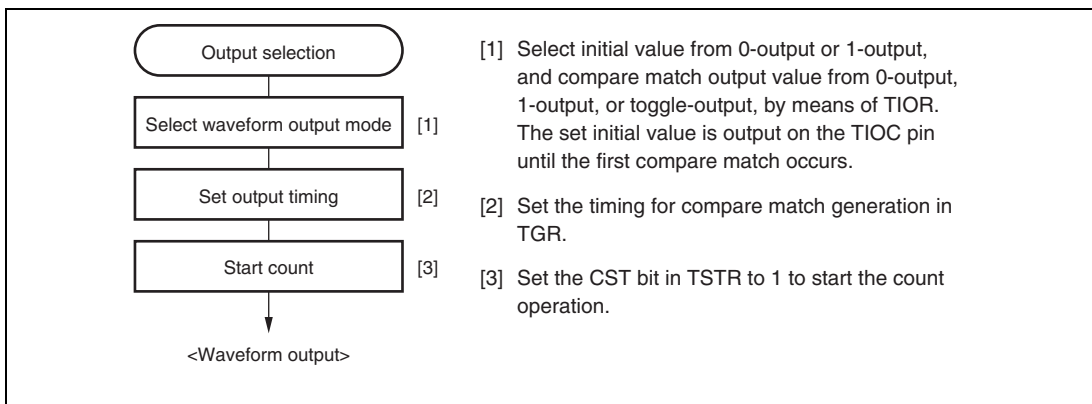


Figure 10.6 Example of Setting Procedure for Waveform Output by Compare Match

(b) Examples of waveform output operation

Figure 10.7 shows an example of 0-output and 1-output.

In this example, TCNT has been designated as a free-running counter, and settings have been made so that 1 is output by compare match A, and 0 is output by compare match B. When the set level and the pin level match, the pin level does not change.

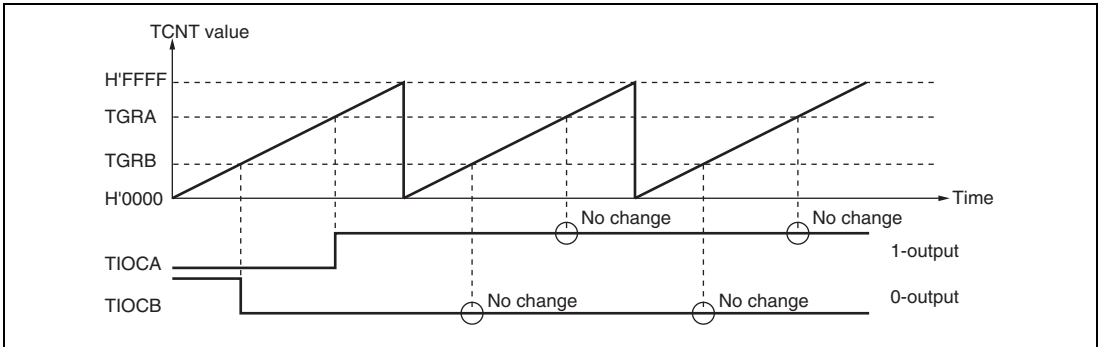


Figure 10.7 Example of 0-Output/1-Output Operation

Figure 10.8 shows an example of toggle output.

In this example, TCNT has been designated as a periodic counter (with counter clearing performed by compare match B), and settings have been made so that output is toggled by both compare match A and compare match B.

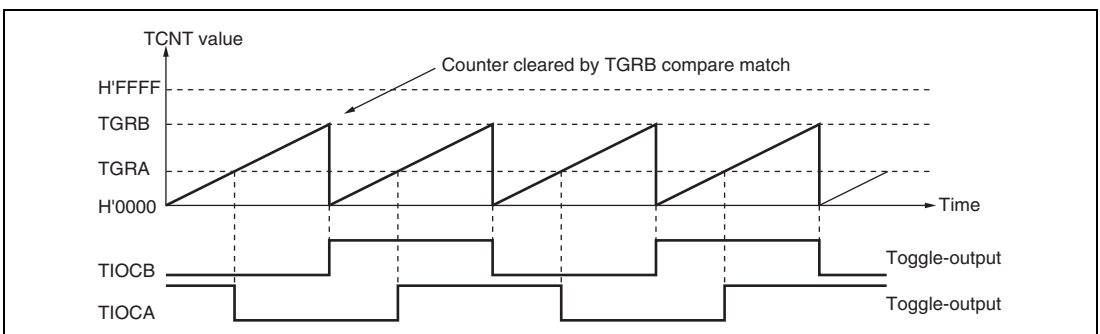


Figure 10.8 Example of Toggle Output Operation

(3) Input Capture Function

The TCNT value can be transferred to TGR on detection of the TIOC pin input edge.

Rising edge, falling edge, or both edges can be selected as the detection edge. For channels 0, 1, 3, and 4, it is also possible to specify another channel's counter input clock or compare match signal as the input capture source.

Note: When another channel's counter input clock is used as the input capture input for channels 0 and 3, P ϕ /1 should not be selected as the counter input clock used for input capture input. Input capture will not be generated if P ϕ /1 is selected.

(a) Example of setting procedure for input capture operation

Figure 10.9 shows an example of the setting procedure for input capture operation.

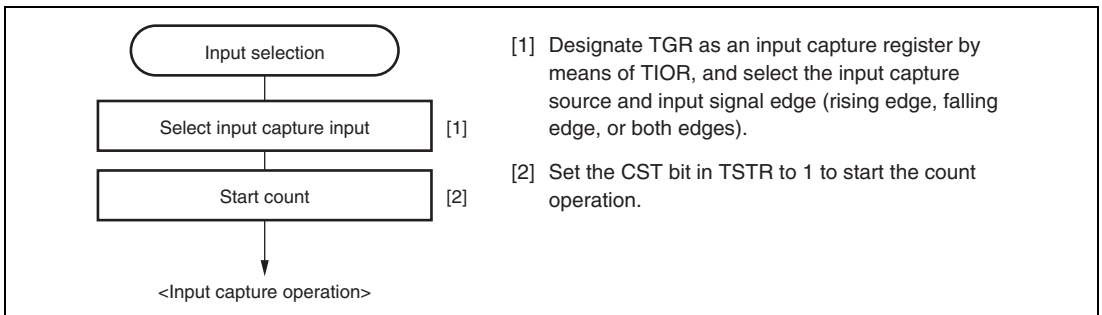


Figure 10.9 Example of Setting Procedure for Input Capture Operation

(b) Example of input capture operation

Figure 10.10 shows an example of input capture operation.

In this example, both rising and falling edges have been selected as the TIOCA pin input capture input edge, falling edge has been selected as the TIOCB pin input capture input edge, and counter clearing by TGRB input capture has been designated for TCNT.

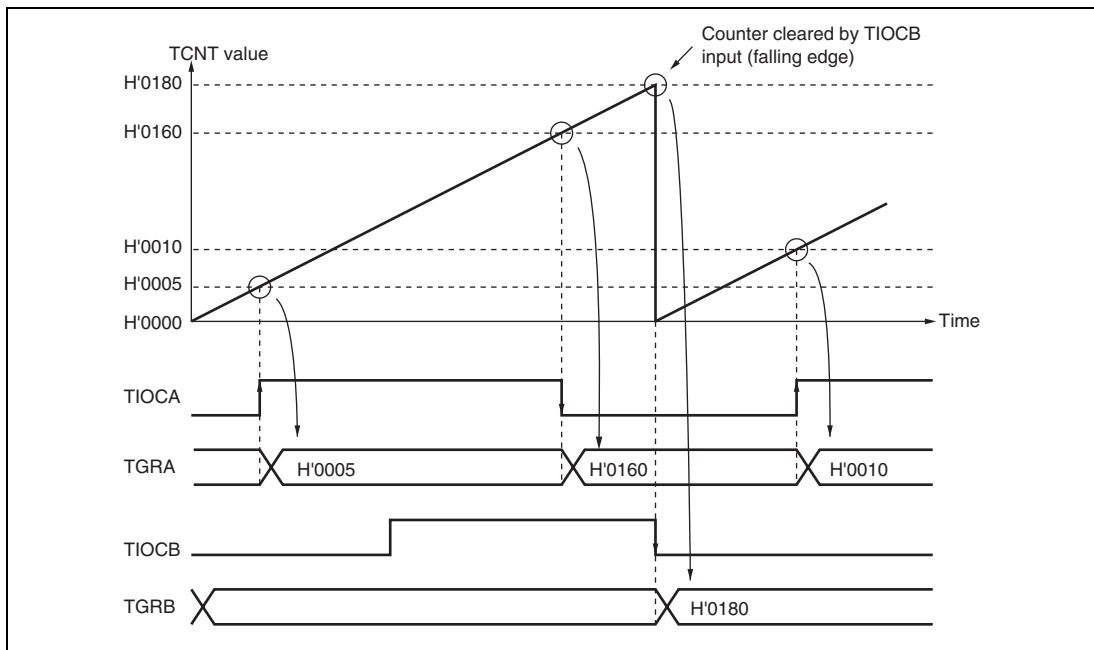


Figure 10.10 Example of Input Capture Operation

10.4.2 Synchronous Operation

In synchronous operation, the values in multiple TCNT counters can be rewritten simultaneously (synchronous presetting). Also, multiple TCNT counters can be cleared simultaneously (synchronous clearing) by making the appropriate setting in TCR.

Synchronous operation enables TGR to be incremented with respect to a single time base.

Channels 0 to 5 can all be designated for synchronous operation.

(1) Example of Synchronous Operation Setting Procedure

Figure 10.11 shows an example of the synchronous operation setting procedure.

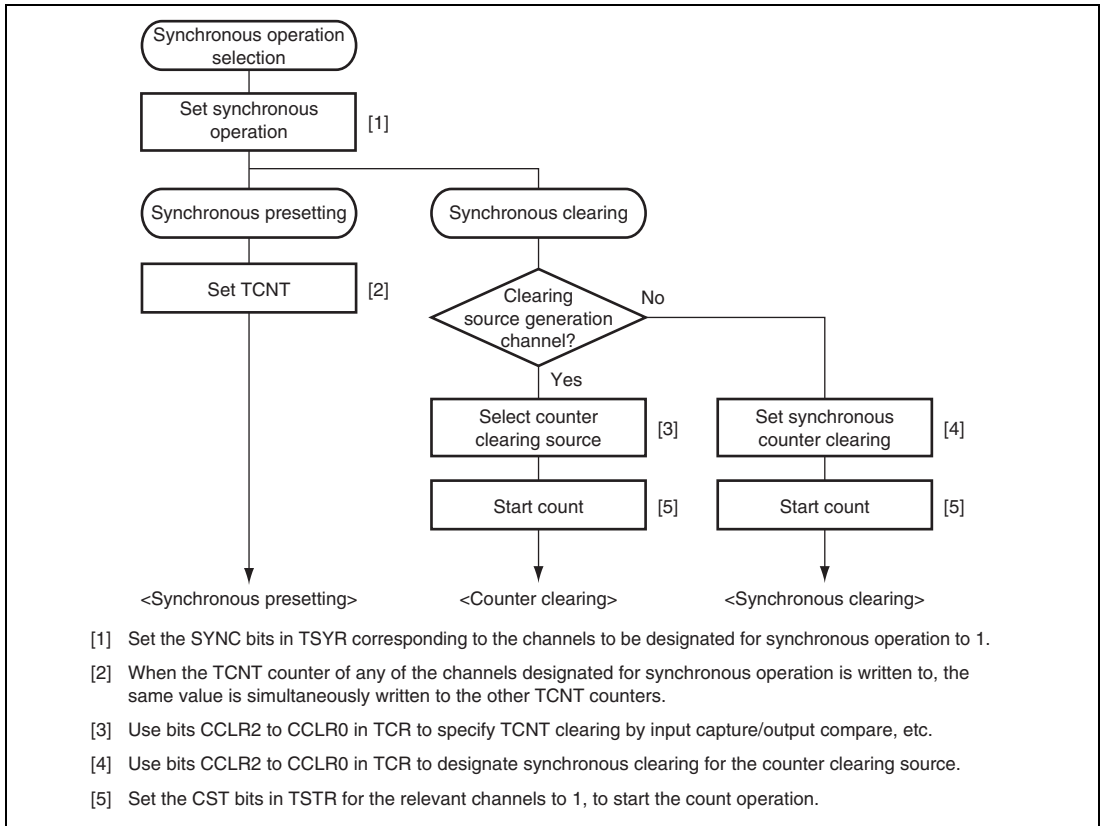


Figure 10.11 Example of Synchronous Operation Setting Procedure

(2) Example of Synchronous Operation

Figure 10.12 shows an example of synchronous operation.

In this example, synchronous operation and PWM mode 1 have been designated for channels 0 to 2, TGRB_0 compare match has been set as the channel 0 counter clearing source, and synchronous clearing has been set for the channel 1 and 2 counter clearing source.

Three-phase PWM waveforms are output from pins TIOCA0, TIOCA1, and TIOCA2. At this time, synchronous presetting and synchronous clearing by TGRB_0 compare match are performed for channel 0 to 2 TCNT counters, and the data set in TGRB_0 is used as the PWM cycle.

For details on PWM modes, see section 10.4.5, PWM Modes.

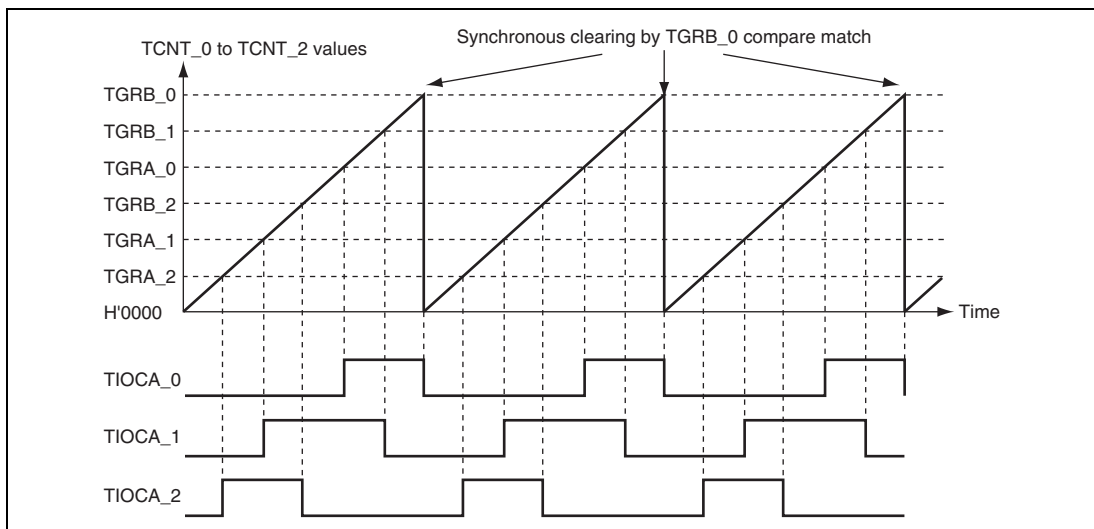


Figure 10.12 Example of Synchronous Operation

10.4.3 Buffer Operation

Buffer operation, provided for channels 0 and 3, enables TGRC and TGRD to be used as buffer registers.

Buffer operation differs depending on whether TGR has been designated as an input capture register or a compare match register.

Table 10.31 shows the register combinations used in buffer operation.

Table 10.31 Register Combinations in Buffer Operation

Channel	Timer General Register	Buffer Register
0	TGRA_0	TGRC_0
	TGRB_0	TGRD_0
3	TGRA_3	TGRC_3
	TGRB_3	TGRD_3

- When TGR is an output compare register

When a compare match occurs, the value in the buffer register for the corresponding channel is transferred to the timer general register.

This operation is illustrated in figure 10.13.

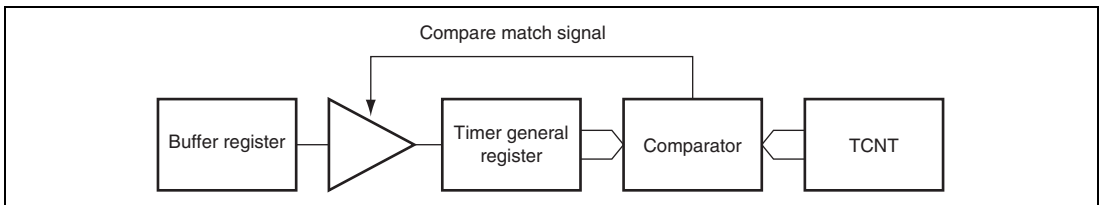


Figure 10.13 Compare Match Buffer Operation

- When TGR is an input capture register

When input capture occurs, the value in TCNT is transferred to TGR and the value previously held in TGR is transferred to the buffer register.

This operation is illustrated in figure 10.14.

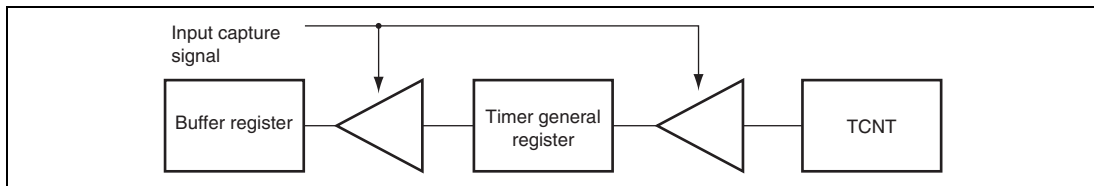


Figure 10.14 Input Capture Buffer Operation

(1) Example of Buffer Operation Setting Procedure

Figure 10.15 shows an example of the buffer operation setting procedure.

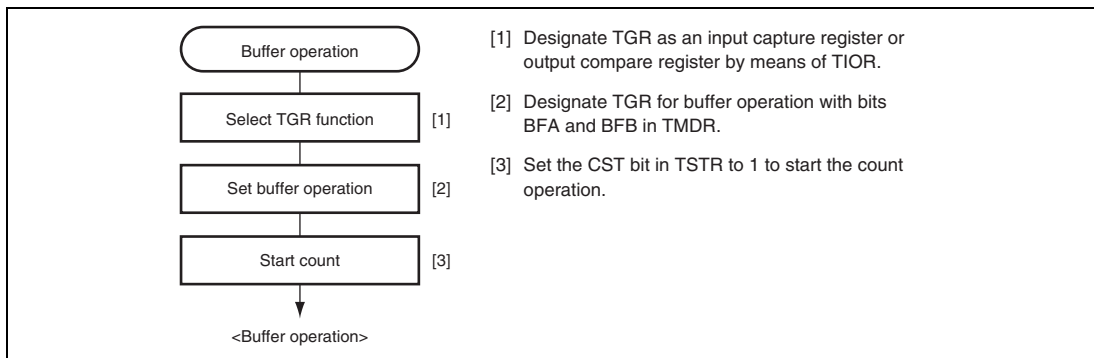


Figure 10.15 Example of Buffer Operation Setting Procedure

(2) Examples of Buffer Operation:

(a) When TGR is an output compare register

Figure 10.16 shows an operation example in which PWM mode 1 has been designated for channel 0, and buffer operation has been designated for TGRA and TGRC. The settings used in this example are TCNT clearing by compare match B, 1 output at compare match A, and 0 output at compare match B.

As buffer operation has been set, when compare match A occurs, the output changes and the value in buffer register TGRC is simultaneously transferred to timer general register TGRA. This operation is repeated each time compare match A occurs.

For details on PWM modes, see section 10.4.5, PWM Modes.

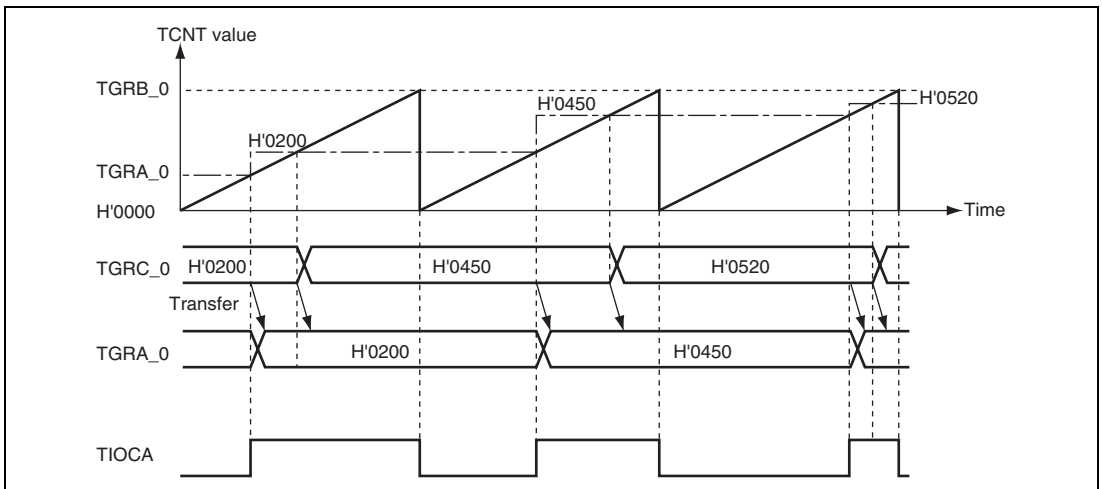


Figure 10.16 Example of Buffer Operation (1)

(b) When TGR is an input capture register

Figure 10.17 shows an operation example in which TGRA has been designated as an input capture register, and buffer operation has been designated for TGRA and TGRC.

Counter clearing by TGRA input capture has been set for TCNT, and both rising and falling edges have been selected as the TIOCA pin input capture input edge.

As buffer operation has been set, when the TCNT value is stored in TGRA upon occurrence of input capture A, the value previously stored in TGRA is simultaneously transferred to TGRC.

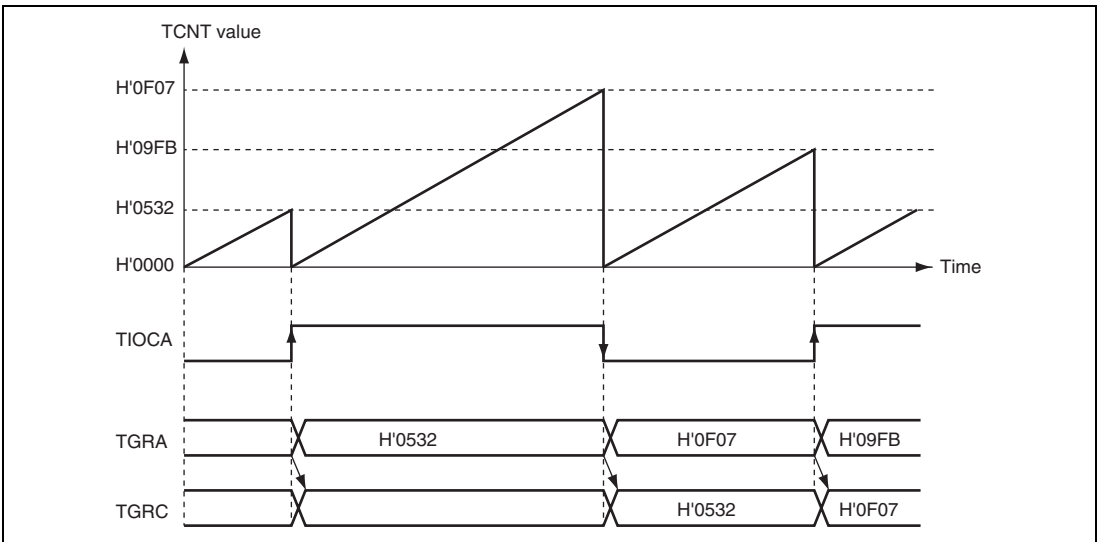


Figure 10.17 Example of Buffer Operation (2)

10.4.4 Cascaded Operation

In cascaded operation, two 16-bit counters for different channels are used together as a 32-bit counter.

This function works by counting the channel 1 (channel 4) counter clock at overflow/underflow of TCNT_2 (TCNT_5) as set in bits TPSC2 to TPSC0 in TCR.

Underflow occurs only when the lower 16-bit TCNT is in phase-counting mode.

Table 10.32 shows the register combinations used in cascaded operation.

Note: When phase counting mode is set for channel 1 or 4, the counter clock setting is invalid and the counter operates independently in phase counting mode.

Table 10.32 Cascaded Combinations

Combination	Upper 16 Bits	Lower 16 Bits
Channels 1 and 2	TCNT_1	TCNT_2
Channels 4 and 5	TCNT_4	TCNT_5

(1) Example of Cascaded Operation Setting Procedure

Figure 10.18 shows an example of the setting procedure for cascaded operation.

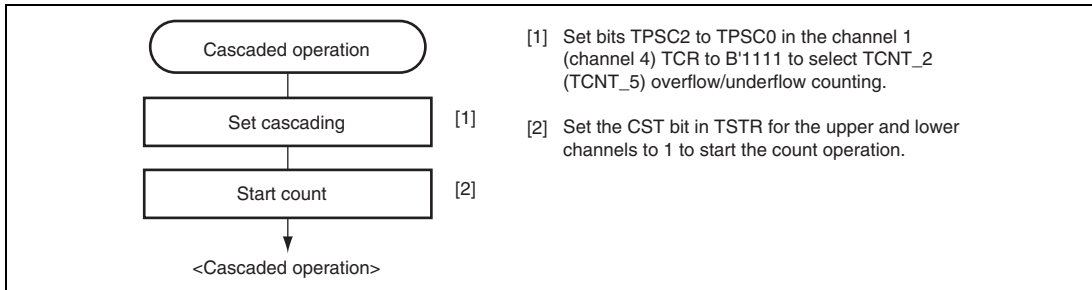


Figure 10.18 Example of Cascaded Operation Setting Procedure

(2) Examples of Cascaded Operation

Figure 10.19 illustrates the operation when counting upon TCNT_2 overflow/underflow has been set for TCNT_1, TGRA_1 and TGRA_2 have been designated as input capture registers, and the TIOC pin rising edge has been selected.

When a rising edge is input to the TIOCA1 and TIOCA2 pins simultaneously, the upper 16 bits of the 32-bit data are transferred to TGRA_1, and the lower 16 bits to TGRA_2.

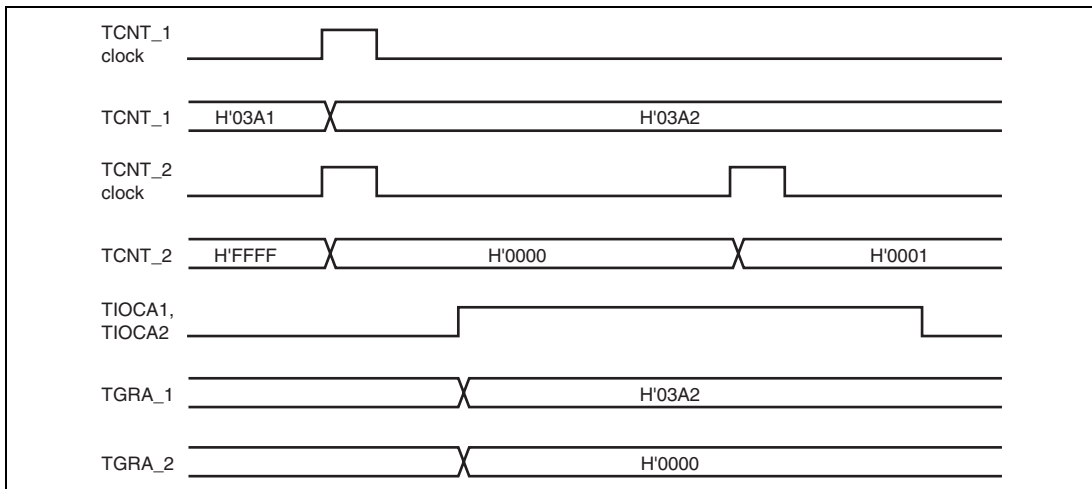


Figure 10.19 Example of Cascaded Operation (1)

Figure 10.20 illustrates the operation when counting upon TCNT_2 overflow/underflow has been set for TCNT_1, and phase counting mode has been designated for channel 2.

TCNT_1 is incremented by TCNT_2 overflow and decremented by TCNT_2 underflow.

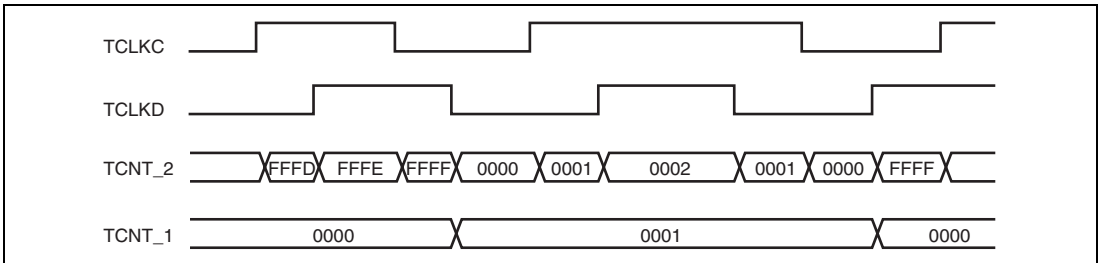


Figure 10.20 Example of Cascaded Operation (2)

10.4.5 PWM Modes

In PWM mode, PWM waveforms are output from the output pins. 0-, 1-, or toggle-output can be selected as the output level in response to compare match of each TGR.

Settings of TGR registers can output a PWM waveform in the range of 0% to 100% duty cycle.

Designating TGR compare match as the counter clearing source enables the cycle to be set in that register. All channels can be designated for PWM mode independently. Synchronous operation is also possible.

There are two PWM modes, as described below.

1. PWM mode 1

PWM output is generated from the TIOCA and TIOCC pins by pairing TGRA with TGRB and TGRC with TGRD. The outputs specified by bits IOA3 to IOA0 and IOC3 to IOC0 in TIOR are output from the TIOCA and TIOCC pins at compare matches A and C, respectively. The outputs specified by bits IOB3 to IOB0 and IOD3 to IOD0 in TIOR are output at compare matches B and D, respectively. The initial output value is the value set in TGRA or TGRC. If the set values of paired TGRs are identical, the output value does not change when a compare match occurs.

In PWM mode 1, a maximum 8-phase PWM output is possible.

2. PWM mode 2

PWM output is generated using one TGR as the cycle register and the others as duty cycle registers. The output specified in TIOR is performed by means of compare matches. Upon counter clearing by a cycle register compare match, the output value of each pin is the initial value set in TIOR. If the set values of the cycle and duty cycle registers are identical, the output value does not change when a compare match occurs.

In PWM mode 2, a maximum 15-phase PWM output is possible by combined use with synchronous operation.

The correspondence between PWM output pins and registers is shown in table 10.33.

Table 10.33 PWM Output Registers and Output Pins

Channel	Registers	Output Pins	
		PWM Mode 1	PWM Mode 2
0	TGRA_0	TIOCA0	TIOCA0
	TGRB_0		TIOCB0
	TGRC_0	TIOCC0	TIOCC0
	TGRD_0		TIOCD0
1	TGRA_1	TIOCA1	TIOCA1
	TGRB_1		TIOCB1
2	TGRA_2	TIOCA2	TIOCA2
	TGRB_2		TIOCB2
3	TGRA_3	TIOCA3	TIOCA3
	TGRB_3		TIOCB3
	TGRC_3	TIOCC3	TIOCC3
	TGRD_3		TIOCD3
4	TGRA_4	TIOCA4	TIOCA4
	TGRB_4		TIOCB4
5	TGRA_5	TIOCA5	TIOCA5
	TGRB_5		TIOCB5

Note: In PWM mode 2, PWM output is not possible for the TGR register in which the cycle is set.

(1) Example of PWM Mode Setting Procedure

Figure 10.21 shows an example of the PWM mode setting procedure.

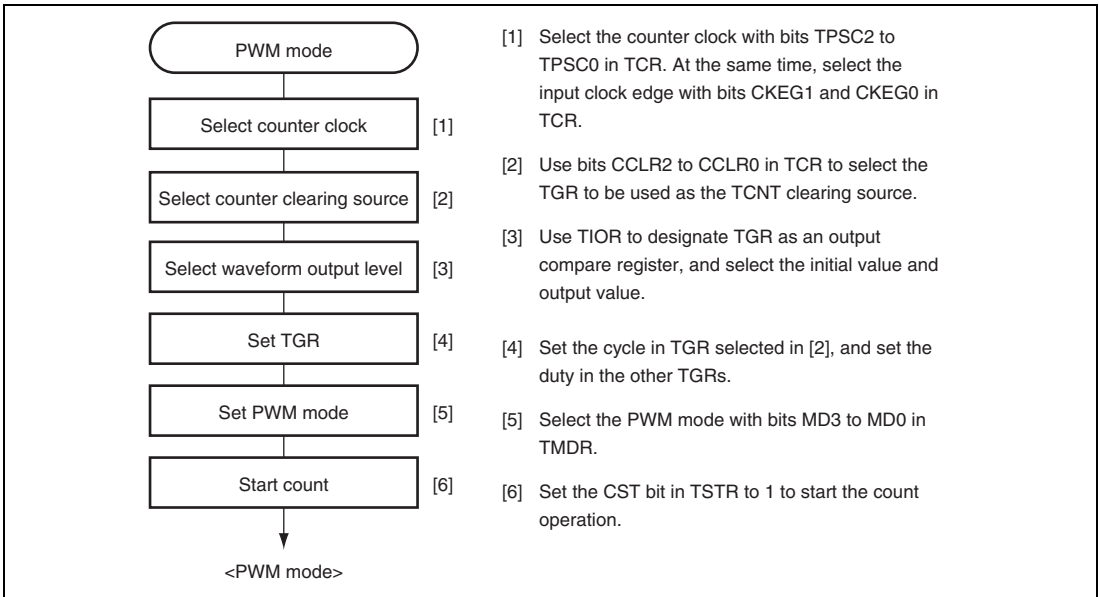


Figure 10.21 Example of PWM Mode Setting Procedure

(2) Examples of PWM Mode Operation

Figure 10.22 shows an example of PWM mode 1 operation.

In this example, TGRA compare match is set as the TCNT clearing source, 0 is set for the TGRA initial output value and output value, and 1 is set as the TGRB output value.

In this case, the value set in TGRA is used as the cycle, and the value set in TGRB register as the duty cycle.

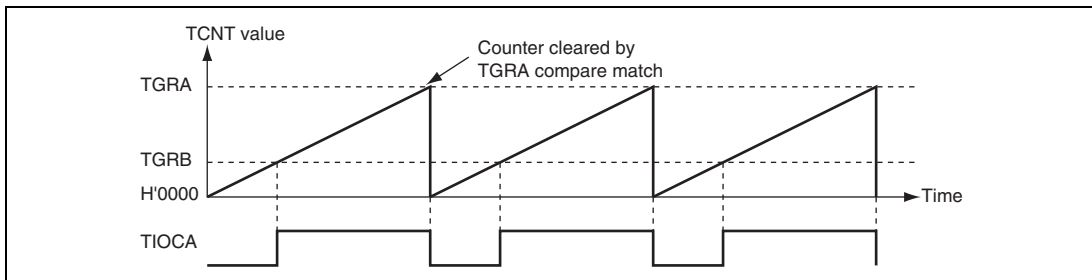


Figure 10.22 Example of PWM Mode Operation (1)

Figure 10.23 shows an example of PWM mode 2 operation.

In this example, synchronous operation is designated for channels 0 and 1, TGRB_1 compare match is set as the TCNT clearing source, and 0 is set for the initial output value and 1 for the output value of the other TGR registers (TGRA_0 to TGRD_0, TGRA_1), to output a 5-phase PWM waveform.

In this case, the value set in TGRB_1 is used as the cycle, and the values set in the other TGRs as the duty cycle.

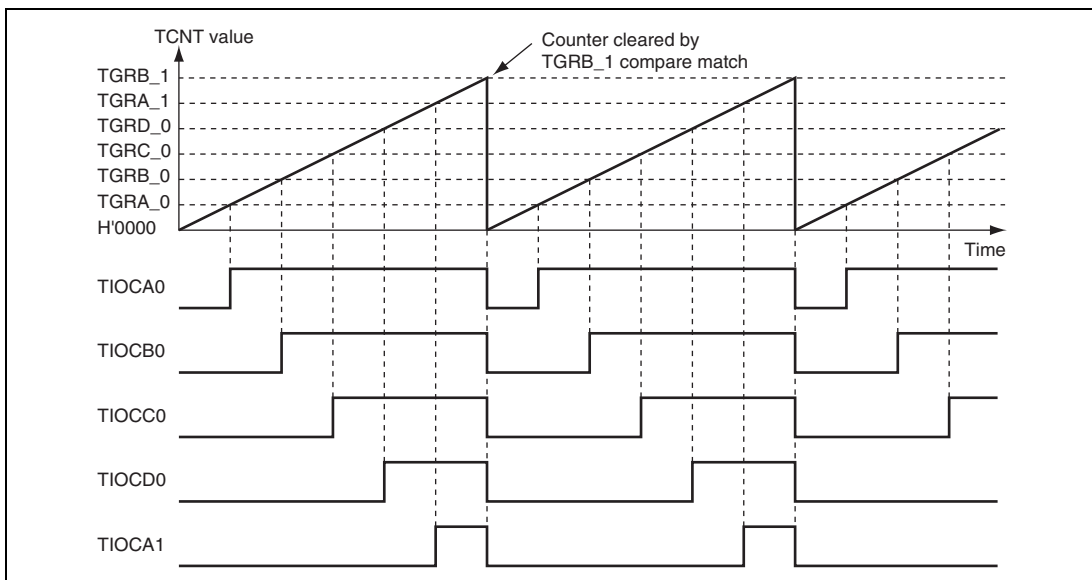


Figure 10.23 Example of PWM Mode Operation (2)

Figure 10.24 shows examples of PWM waveform output with 0% duty cycle and 100% duty cycle in PWM mode.

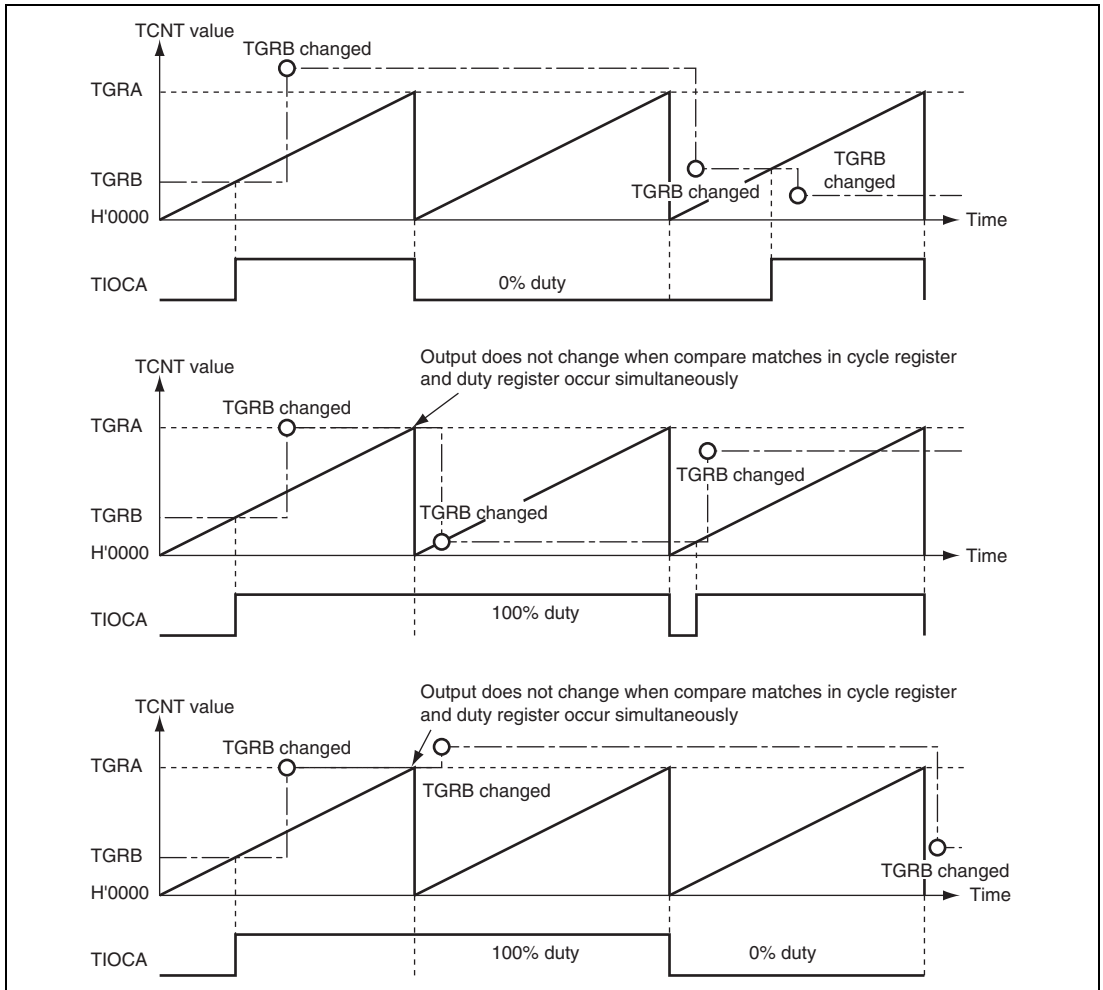


Figure 10.24 Example of PWM Mode Operation (3)

10.4.6 Phase Counting Mode

In phase counting mode, the phase difference between two external clock inputs is detected and TCNT is incremented/decremented accordingly. This mode can be set for channels 1, 2, 4, and 5.

When phase counting mode is set, an external clock is selected as the counter input clock and TCNT operates as an up/down-counter regardless of the setting of bits TPSC2 to TPSC0 and bits CKEG1 and CKEG0 in TCR. However, the functions of bits CCLR1 and CCLR0 in TCR, and of TIOR, TIER, and TGR are valid, and input capture/compare match and interrupt functions can be used.

This can be used for two-phase encoder pulse input.

When overflow occurs while TCNT is counting up, the TCFV flag in TSR is set; when underflow occurs while TCNT is counting down, the TCFU flag is set.

The TCFD bit in TSR is the count direction flag. Reading the TCFD flag provides an indication of whether TCNT is counting up or down.

Table 10.34 shows the correspondence between external clock pins and channels.

Table 10.34 Clock Input Pins in Phase Counting Mode

Channels	External Clock Pins	
	A-Phase	B-Phase
When channel 1 or 5 is set to phase counting mode	TCLKA	TCLKB
When channel 2 or 4 is set to phase counting mode	TCLKC	TCLKD

(1) Example of Phase Counting Mode Setting Procedure

Figure 10.25 shows an example of the phase counting mode setting procedure.

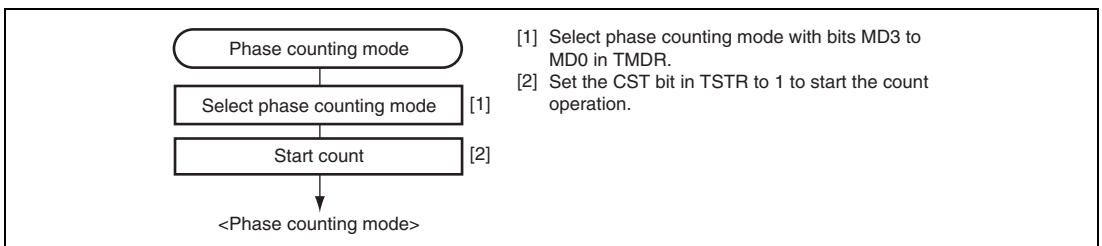


Figure 10.25 Example of Phase Counting Mode Setting Procedure

(2) Examples of Phase Counting Mode Operation

In phase counting mode, TCNT counts up or down according to the phase difference between two external clocks. There are four modes, according to the count conditions.

(a) Phase counting mode 1

Figure 10.26 shows an example of phase counting mode 1 operation, and table 10.35 summarizes the TCNT up/down-count conditions.

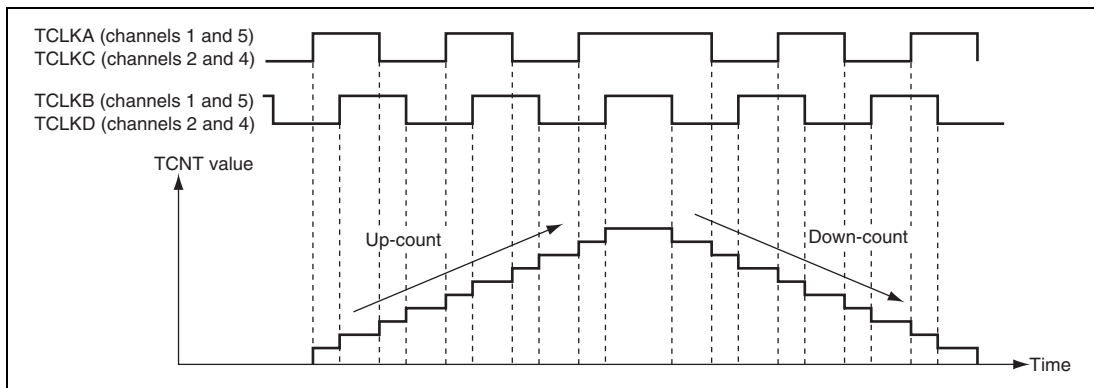


Figure 10.26 Example of Phase Counting Mode 1 Operation

Table 10.35 Up/Down-Count Conditions in Phase Counting Mode 1

TCLKA (Channels 1 and 5) TCLKC (Channels 2 and 4)	TCLKB (Channels 1 and 5) TCLKD (Channels 2 and 4)	Operation
High level		Up-count
Low level		
	Low level	
	High level	
High level		Down-count
Low level		
	High level	
	Low level	

[Legend]

: Rising edge

: Falling edge

(b) Phase counting mode 2

Figure 10.27 shows an example of phase counting mode 2 operation, and table 10.36 summarizes the TCNT up/down-count conditions.

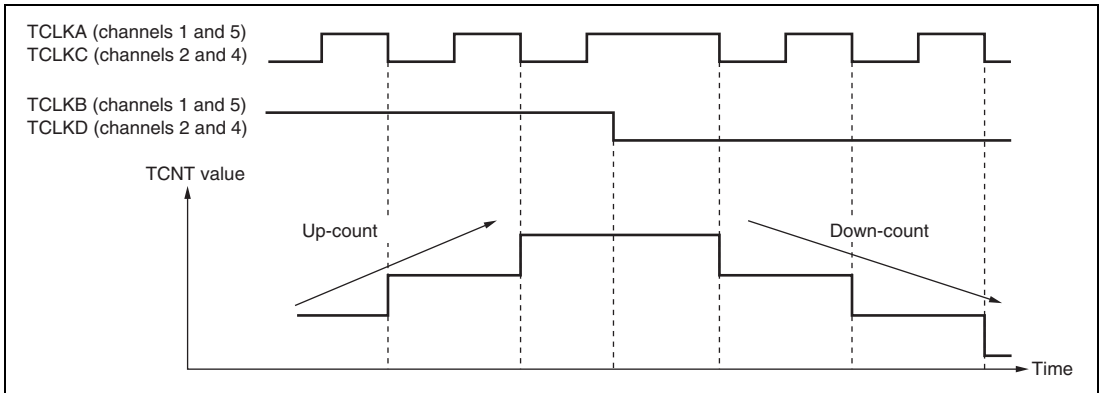


Figure 10.27 Example of Phase Counting Mode 2 Operation

Table 10.36 Up/Down-Count Conditions in Phase Counting Mode 2

TCLKA (Channels 1 and 5) TCLKC (Channels 2 and 4)	TCLKB (Channels 1 and 5) TCLKD (Channels 2 and 4)	Operation
High level		Don't care
Low level		Don't care
	Low level	Don't care
	High level	Up-count
High level		Don't care
Low level		Don't care
	High level	Don't care
	Low level	Down-count

[Legend]

: Rising edge

: Falling edge

(c) Phase counting mode 3

Figure 10.28 shows an example of phase counting mode 3 operation, and table 10.37 summarizes the TCNT up/down-count conditions.

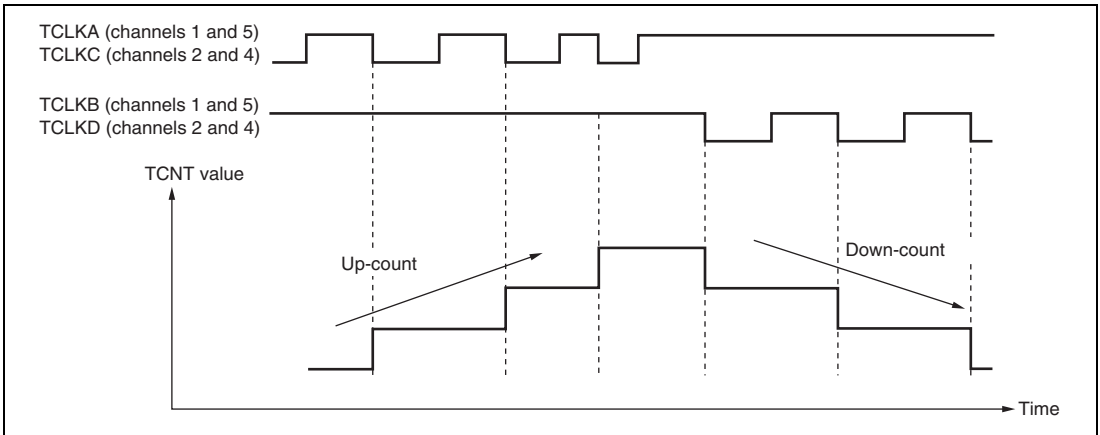


Figure 10.28 Example of Phase Counting Mode 3 Operation

Table 10.37 Up/Down-Count Conditions in Phase Counting Mode 3

TCLKA (Channels 1 and 5) TCLKC (Channels 2 and 4)	TCLKB (Channels 1 and 5) TCLKD (Channels 2 and 4)	Operation
High level		Don't care
Low level		Don't care
	Low level	Don't care
	High level	Up-count
High level		Down-count
Low level		Don't care
	High level	Don't care
	Low level	Don't care

[Legend]

: Rising edge

: Falling edge

(d) Phase counting mode 4

Figure 10.29 shows an example of phase counting mode 4 operation, and table 10.38 summarizes the TCNT up/down-count conditions.

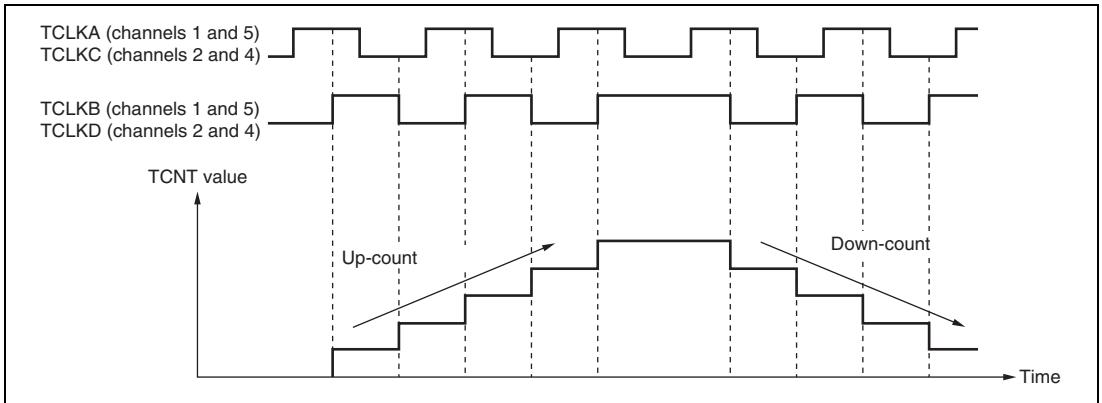


Figure 10.29 Example of Phase Counting Mode 4 Operation

Table 10.38 Up/Down-Count Conditions in Phase Counting Mode 4

TCLKA (Channels 1 and 5) TCLKC (Channels 2 and 4)	TCLKB (Channels 1 and 5) TCLKD (Channels 2 and 4)	Operation
High level		Up-count
Low level		Up-count
	Low level	Don't care
	High level	Don't care
High level		Down-count
Low level		Down-count
	High level	Don't care
	Low level	Don't care

[Legend]

: Rising edge

: Falling edge

(3) Phase Counting Mode Application Example

Figure 10.30 shows an example in which phase counting mode is designated for channel 1, and channel 1 is coupled with channel 0 to input servo motor 2-phase encoder pulses in order to detect the position or speed.

Channel 1 is set to phase counting mode 1, and the encoder pulse A-phase and B-phase are input to TCLKA and TCLKB.

Channel 0 operates with TCNT counter clearing by TGRC_0 compare match; TGRA_0 and TGRC_0 are used for the compare match function and are set with the speed control cycle and position control cycle. TGRB_0 is used for input capture, with TGRB_0 and TGRD_0 operating in buffer mode. The channel 1 counter input clock is designated as the TGRB_0 input capture source, and the pulse width of 2-phase encoder 4-multiplication pulses is detected.

TGRA_1 and TGRB_1 for channel 1 are designated for input capture, channel 0 TGRA_0 and TGRC_0 compare matches are selected as the input capture source, and the up/down-counter values for the control cycles are stored.

This procedure enables accurate position/speed detection to be achieved.

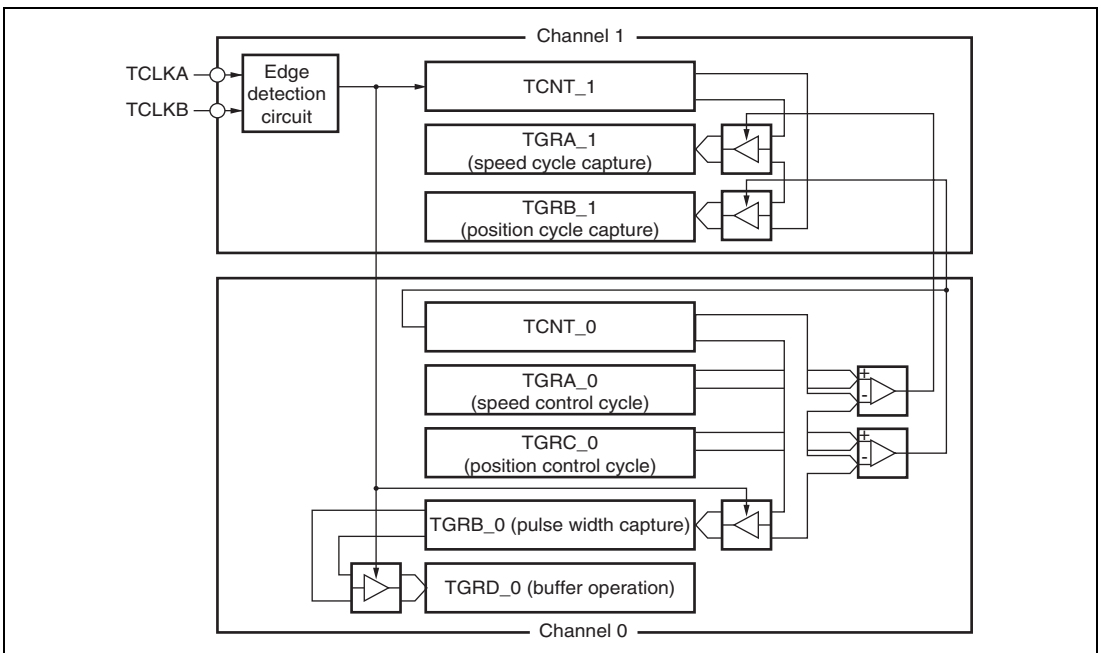


Figure 10.30 Phase Counting Mode Application Example

10.5 Interrupt Sources

There are three kinds of TPU interrupt sources: TGR input capture/compare match, TCNT overflow, and TCNT underflow. Each interrupt source has its own status flag and enable/disable bit, allowing generation of interrupt request signals to be enabled or disabled individually.

When an interrupt request is generated, the corresponding status flag in TSR is set to 1. If the corresponding enable/disable bit in TIER is set to 1 at this time, an interrupt is requested. The interrupt request is cleared by clearing the status flag to 0.

Relative channel priority levels can be changed by the interrupt controller, but the priority within a channel is fixed. For details, see section 5, Interrupt Controller.

Table 10.39 lists the TPU interrupt sources.

Table 10.39 TPU Interrupts

Channel	Name	Interrupt Source	Interrupt Flag	DTC Activation	DMAC Activation
0	TGI0A	TGRA_0 input capture/compare match	TGFA_0	Possible	Possible
	TGI0B	TGRB_0 input capture/compare match	TGFB_0	Possible	Not possible
	TGI0C	TGRC_0 input capture/compare match	TGFC_0	Possible	Not possible
	TGI0D	TGRD_0 input capture/compare match	TGFD_0	Possible	Not possible
	TCI0V	TCNT_0 overflow	TCFV_0	Not possible	Not possible
1	TGI1A	TGRA_1 input capture/compare match	TGFA_1	Possible	Possible
	TGI1B	TGRB_1 input capture/compare match	TGFB_1	Not possible	Not possible
	TCI1V	TCNT_1 overflow	TCFV_1	Not possible	Not possible
	TCI1U	TCNT_1 underflow	TCFU_1	Possible	Not possible
2	TGI2A	TGRA_2 input capture/compare match	TGFA_2	Possible	Possible
	TGI2B	TGRB_2 input capture/compare match	TGFB_2	Not possible	Not possible
	TCI2V	TCNT_2 overflow	TCFV_2	Not possible	Not possible
	TCI2U	TCNT_2 underflow	TCFU_2	Possible	Not possible
3	TGI3A	TGRA_3 input capture/compare match	TGFA_3	Possible	Possible
	TGI3B	TGRB_3 input capture/compare match	TGFB_3	Possible	Not possible
	TGI3C	TGRC_3 input capture/compare match	TGFC_3	Possible	Not possible
	TGI3D	TGRD_3 input capture/compare match	TGFD_3	Possible	Not possible
	TCI3V	TCNT_3 overflow	TCFV_3	Not possible	Not possible

Channel	Name	Interrupt Source	Interrupt Flag	DTC Activation	DMAC Activation
4	TGI4A	TGRA_4 input capture/compare match	TGFA_4	Possible	Possible
	TGI4B	TGRB_4 input capture/compare match	TGFB_4	Possible	Not possible
	TCI4V	TCNT_4 overflow	TCFV_4	Not possible	Not possible
	TCI4U	TCNT_4 underflow	TCFU_4	Not possible	Not possible
5	TGI5A	TGRA_5 input capture/compare match	TGFA_5	Possible	Possible
	TGI5B	TGRB_5 input capture/compare match	TGFB_5	Possible	Not possible
	TCI5V	TCNT_5 overflow	TCFV_5	Not possible	Not possible
	TCI5U	TCNT_5 underflow	TCFU_5	Not possible	Not possible
6	TGI6A	TGRA_0 input capture/compare match	TGFA_0	Possible	Possible
	TGI6B	TGRB_0 input capture/compare match	TGFB_0	Possible	Not possible
	TGI6C	TGRC_0 input capture/compare match	TGFC_0	Possible	Not possible
	TGI6D	TGRD_0 input capture/compare match	TGFD_0	Possible	Not possible
	TCI6V	TCNT_0 overflow	TCFV_0	Not possible	Not possible
7	TGI7A	TGRA_1 input capture/compare match	TGFA_1	Possible	Possible
	TGI7B	TGRB_1 input capture/compare match	TGFB_1	Not possible	Not possible
	TCI7V	TCNT_1 overflow	TCFV_1	Not possible	Not possible
	TCI7U	TCNT_1 underflow	TCFU_1	Possible	Not possible
8	TGI8A	TGRA_2 input capture/compare match	TGFA_2	Possible	Possible
	TGI8B	TGRB_2 input capture/compare match	TGFB_2	Not possible	Not possible
	TCI8V	TCNT_2 overflow	TCFV_2	Not possible	Not possible
	TCI8U	TCNT_2 underflow	TCFU_2	Possible	Not possible
9	TGI9A	TGRA_3 input capture/compare match	TGFA_3	Possible	Possible
	TGI9B	TGRB_3 input capture/compare match	TGFB_3	Possible	Not possible
	TGI9C	TGRC_3 input capture/compare match	TGFC_3	Possible	Not possible
	TGI9D	TGRD_3 input capture/compare match	TGFD_3	Possible	Not possible
	TCI9V	TCNT_3 overflow	TCFV_3	Not possible	Not possible
10	TGI10A	TGRA_4 input capture/compare match	TGFA_4	Possible	Possible
	TGI10B	TGRB_4 input capture/compare match	TGFB_4	Possible	Not possible
	TCI10V	TCNT_4 overflow	TCFV_4	Not possible	Not possible
	TCI10U	TCNT_4 underflow	TCFU_4	Not possible	Not possible

Channel	Name	Interrupt Source	Interrupt Flag	DTC Activation	DMAC Activation
11	TGI11A	TGRA_5 input capture/compare match	TGFA_5	Possible	Possible
	TGI11B	TGRB_5 input capture/compare match	TGFB_5	Possible	Not possible
	TCI11V	TCNT_5 overflow	TCFV_5	Not possible	Not possible
	TCI11U	TCNT_5 underflow	TCFU_5	Not possible	Not possible

Note: This table shows the initial state immediately after a reset. The relative channel priority levels can be changed by the interrupt controller.

(1) Input Capture/Compare Match Interrupt

An interrupt is requested if the TGIE bit in TIER is set to 1 when the TGF flag in TSR is set to 1 by the occurrence of a TGR input capture/compare match on a channel. The interrupt request is cleared by clearing the TGF flag to 0. The TPU has 16 input capture/compare match interrupts, four each for channels 0 and 3, and two each for channels 1, 2, 4, and 5.

(2) Overflow Interrupt

An interrupt is requested if the TCIEV bit in TIER is set to 1 when the TCFV flag in TSR is set to 1 by the occurrence of a TCNT overflow on a channel. The interrupt request is cleared by clearing the TCFV flag to 0. The TPU has six overflow interrupts, one for each channel.

(3) Underflow Interrupt

An interrupt is requested if the TCIEU bit in TIER is set to 1 when the TCFU flag in TSR is set to 1 by the occurrence of a TCNT underflow on a channel. The interrupt request is cleared by clearing the TCFU flag to 0. The TPU has four underflow interrupts, one each for channels 1, 2, 4, and 5.

10.6 DTC Activation

The DTC can be activated by the TGR input capture/compare match interrupt for a channel. For details, see section 8, Data Transfer Controller (DTC).

A total of 16 TPU input capture/compare match interrupts can be used as DTC activation sources, four each for channels 0 and 3, and two each for channels 1, 2, 4, and 5.

10.7 DMAC Activation

The DMAC can be activated by the TGR input capture/compare match interrupt for a channel. For details, see section 7, DMA Controller (DMAC).

A total of six TPU input capture/compare match interrupts can be used as DMAC activation sources, one for each channel.

10.8 A/D Converter Activation

The TGRA input capture/compare match for each channel of unit 0 can activate the A/D converter (this function is not available for unit 1).

If the TTGE bit in TIER is set to 1 when the TGFA flag in TSR is set to 1 by the occurrence of a TGRA input capture/compare match on a particular channel, a request to start A/D conversion is sent to the A/D converter. If the TPU conversion start trigger has been selected on the A/D converter side at this time, A/D conversion is started.

In the TPU, a total of six TGRA input capture/compare match interrupts can be used as A/D converter conversion start sources, one for each channel.

The A/D converter cannot be activated by unit 1.

10.9 Operation Timing

10.9.1 Input/Output Timing

(1) TCNT Count Timing

Figure 10.31 shows TCNT count timing in internal clock operation, and figure 10.32 shows TCNT count timing in external clock operation.

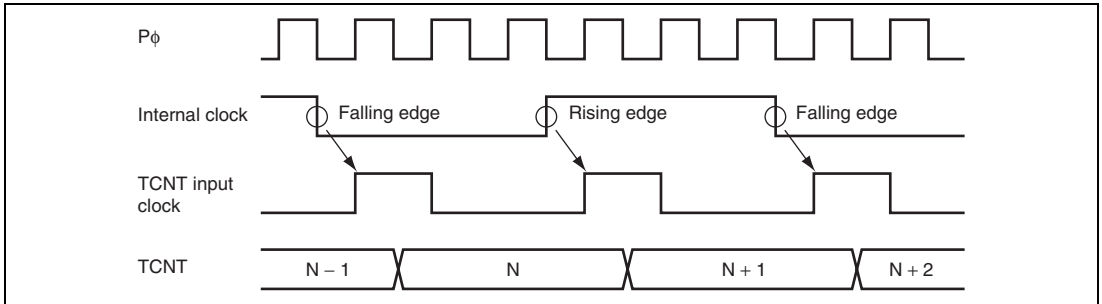


Figure 10.31 Count Timing in Internal Clock Operation

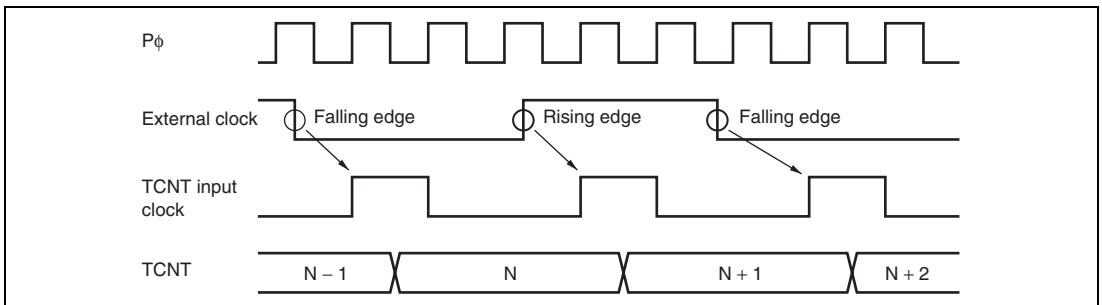


Figure 10.32 Count Timing in External Clock Operation

(2) Output Compare Output Timing

A compare match signal is generated in the final state in which TCNT and TGR match (the point at which the count value matched by TCNT is updated). When a compare match signal is generated, the output value set in TIOR is output at the output compare output pin (TIOC pin). After a match between TCNT and TGR, the compare match signal is not generated until the TCNT input clock is generated.

Figure 10.33 shows output compare output timing.

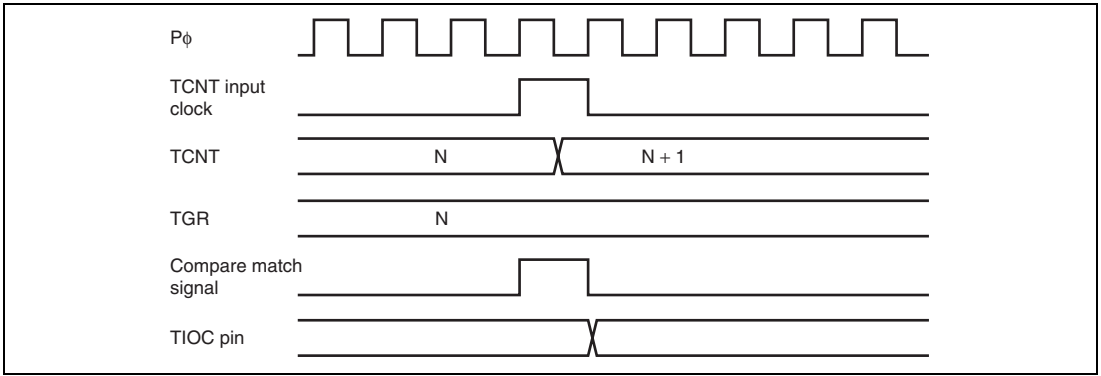


Figure 10.33 Output Compare Output Timing

(3) Input Capture Signal Timing

Figure 10.34 shows input capture signal timing.

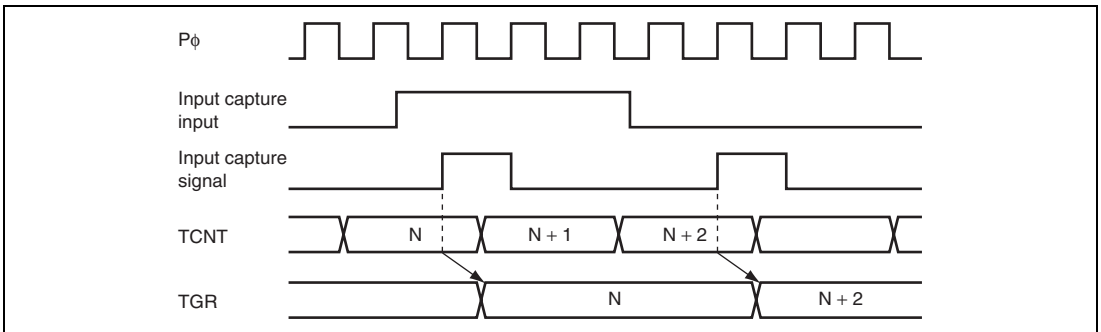


Figure 10.34 Input Capture Input Signal Timing

(4) Timing for Counter Clearing by Compare Match/Input Capture

Figure 10.35 shows the timing when counter clearing by compare match occurrence is specified, and figure 10.36 shows the timing when counter clearing by input capture occurrence is specified.

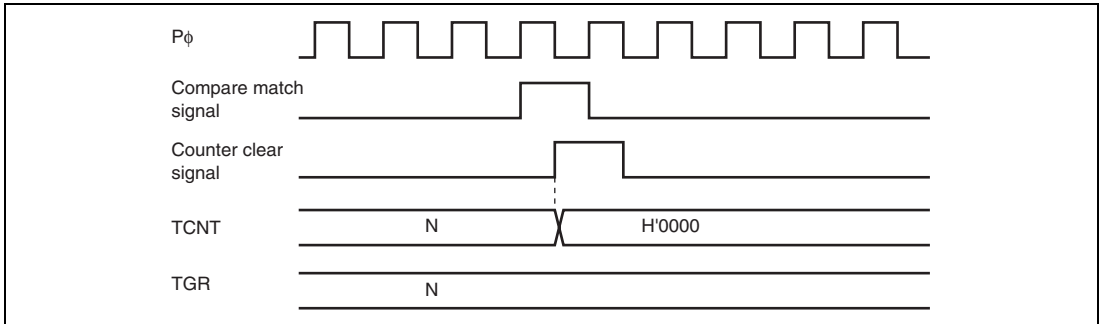


Figure 10.35 Counter Clear Timing (Compare Match)

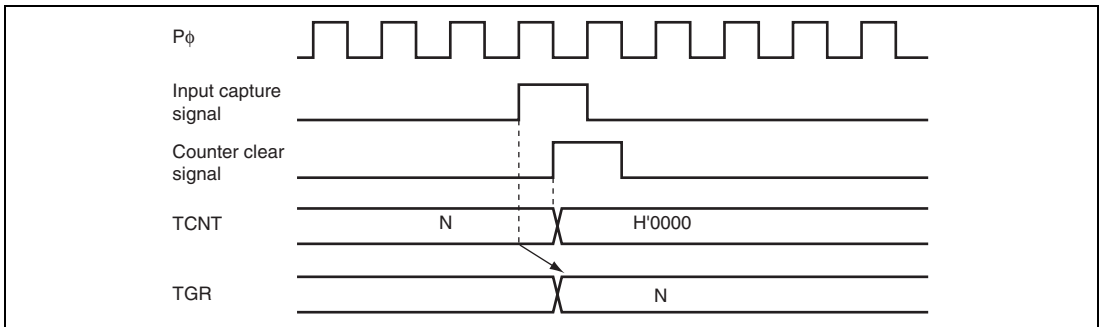


Figure 10.36 Counter Clear Timing (Input Capture)

(5) Buffer Operation Timing

Figures 10.37 and 10.38 show the timings in buffer operation.

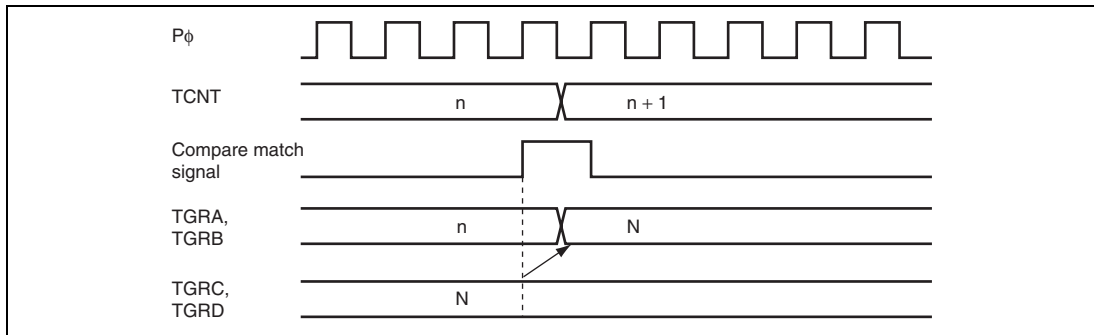


Figure 10.37 Buffer Operation Timing (Compare Match)

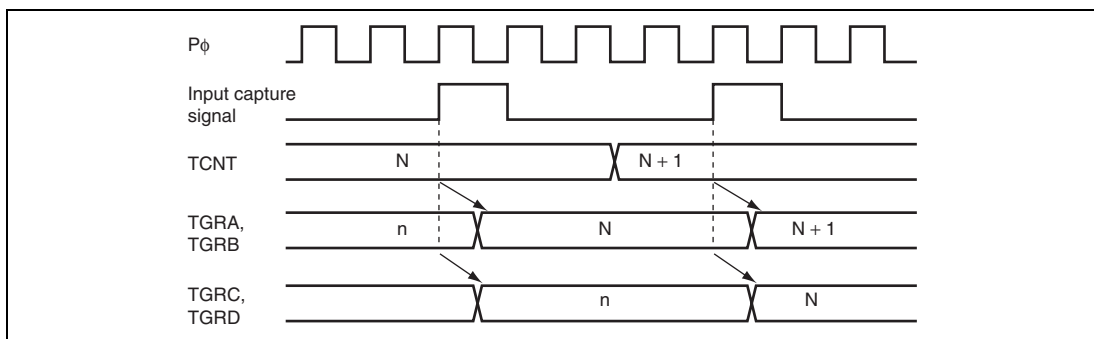


Figure 10.38 Buffer Operation Timing (Input Capture)

10.9.2 Interrupt Signal Timing

(1) TGF Flag Setting Timing in Case of Compare Match

Figure 10.39 shows the timing for setting of the TGF flag in TSR by compare match occurrence, and the TGI interrupt request signal timing.

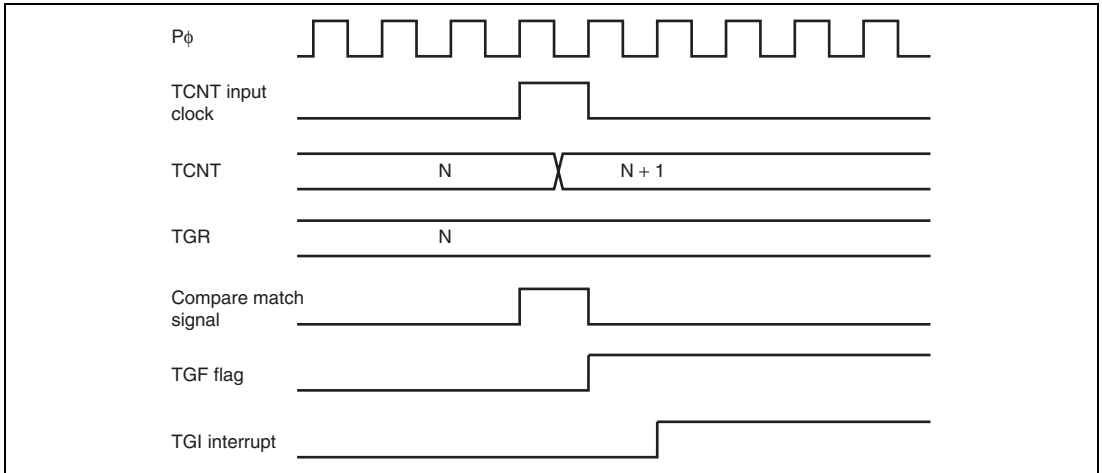


Figure 10.39 TGI Interrupt Timing (Compare Match)

(2) TGF Flag Setting Timing in Case of Input Capture

Figure 10.40 shows the timing for setting of the TGF flag in TSR by input capture occurrence, and the TGI interrupt request signal timing.

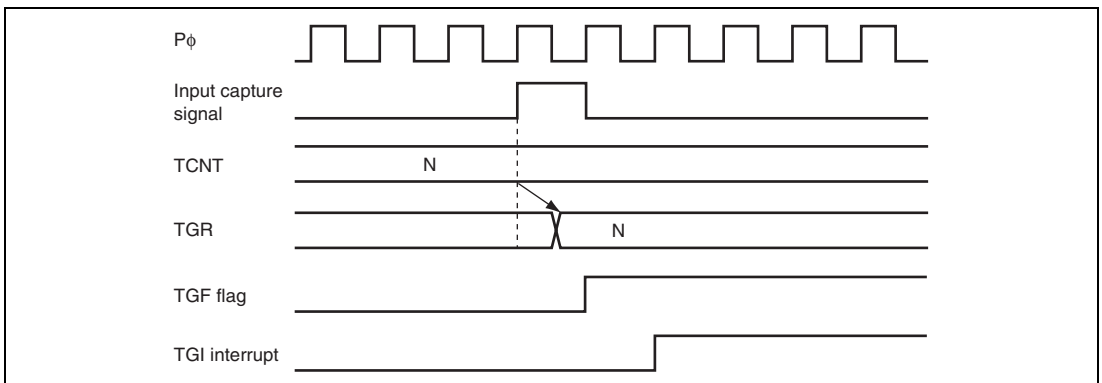


Figure 10.40 TGI Interrupt Timing (Input Capture)

(3) TCFV Flag/TCFU Flag Setting Timing

Figure 10.41 shows the timing for setting of the TCFV flag in TSR by overflow occurrence, and the TCIV interrupt request signal timing.

Figure 10.42 shows the timing for setting of the TCFU flag in TSR by underflow occurrence, and the TCIU interrupt request signal timing.

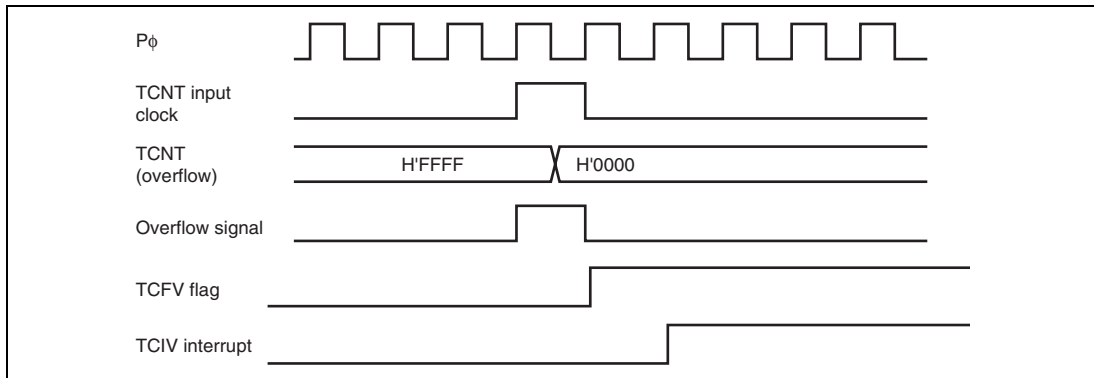


Figure 10.41 TCIV Interrupt Setting Timing

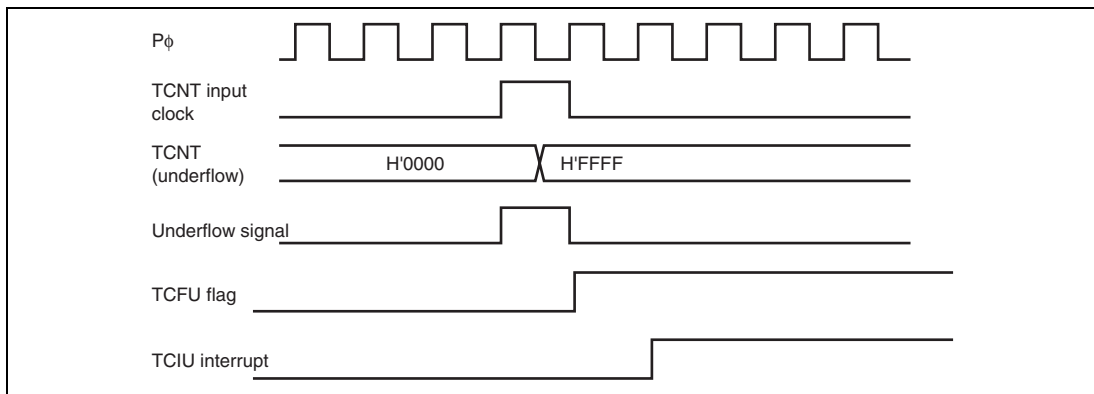


Figure 10.42 TCIU Interrupt Setting Timing

(4) Status Flag Clearing Timing

After a status flag is read as 1 by the CPU, it is cleared by writing 0 to it. When the DTC or DMAC is activated, the flag is cleared automatically. Figure 10.43 shows the timing for status flag clearing by the CPU, and figure 10.44 shows the timing for status flag clearing by the DTC or DMAC.

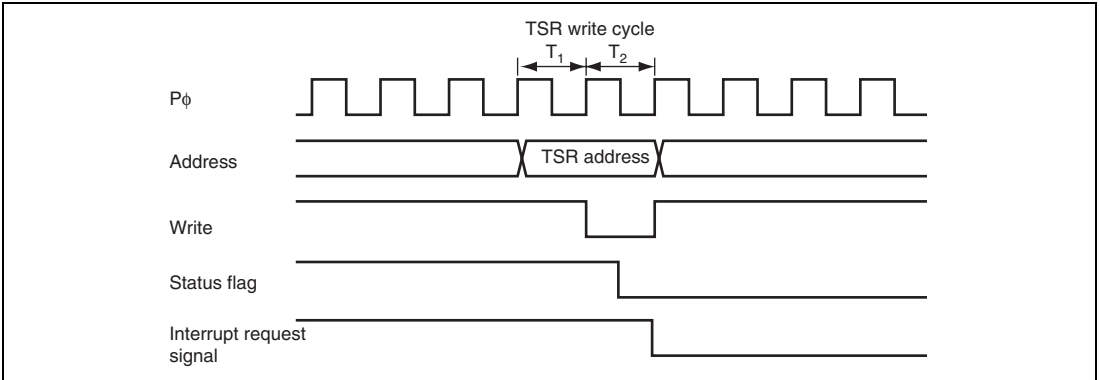


Figure 10.43 Timing for Status Flag Clearing by CPU

The status flag and interrupt request signal are cleared in synchronization with $P\phi$ after the DTC or DMAC transfer has started, as shown in figure 10.44. If conflict occurs for clearing the status flag and interrupt request signal due to activation of multiple DTC or DMAC transfers, it will take up to five clock cycles ($P\phi$) for clearing them, as shown in figure 10.45. The next transfer request is masked for a longer period of either a period until the current transfer ends or a period for five clock cycles ($P\phi$) from the beginning of the transfer. Note that in the DTC transfer, the status flag may be cleared during outputting the destination address.

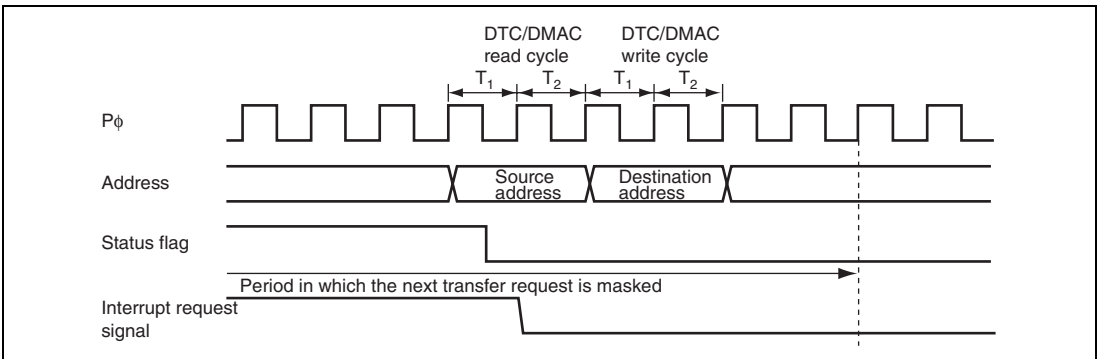


Figure 10.44 Timing for Status Flag Clearing by DMAC Activation (1)

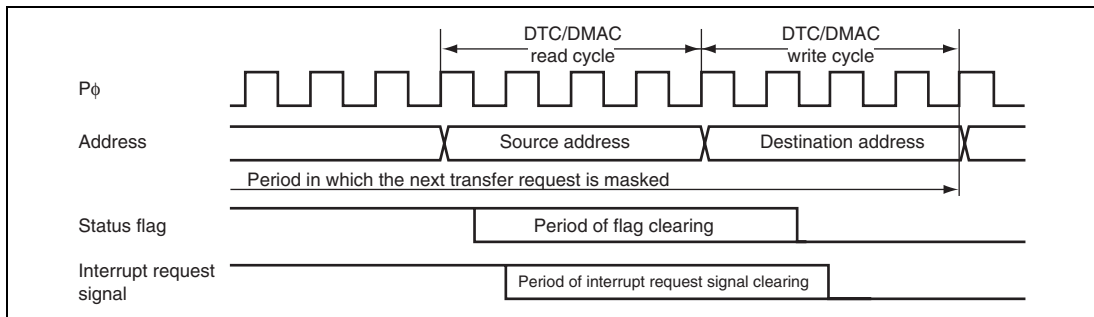


Figure 10.45 Timing for Status Flag Clearing by DMAC Activation (2)

10.10 Usage Notes

10.10.1 Module Stop Mode Setting

Operation of the TPU can be disabled or enabled using the module stop control register. The initial setting is for operation of the TPU to be halted. Register access is enabled by clearing module stop mode. For details, refer to section 19, Power-Down Modes.

10.10.2 Input Clock Restrictions

The input clock pulse width must be at least 1.5 states in the case of single-edge detection, and at least 2.5 states in the case of both-edge detection. The TPU will not operate properly with a narrower pulse width.

In phase counting mode, the phase difference and overlap between the two input clocks must be at least 1.5 states, and the pulse width must be at least 2.5 states. Figure 10.46 shows the input clock conditions in phase counting mode.

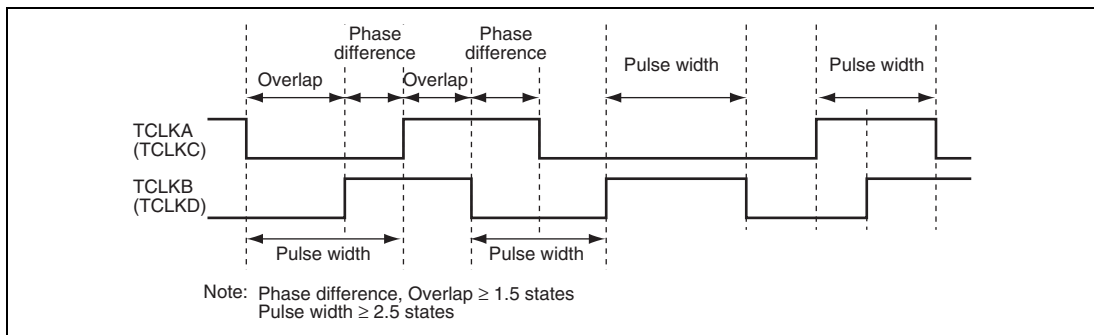


Figure 10.46 Phase Difference, Overlap, and Pulse Width in Phase Counting Mode

10.10.3 Caution on Cycle Setting

When counter clearing by compare match is set, TCNT is cleared in the final state in which it matches the TGR value (the point at which the count value matched by TCNT is updated). Consequently, the actual counter frequency is given by the following formula:

$$f = \frac{P\phi}{(N + 1)}$$

- f: Counter frequency
- P ϕ : Operating frequency
- N: TGR set value

10.10.4 Conflict between TCNT Write and Clear Operations

If the counter clearing signal is generated in the T2 state of a TCNT write cycle, TCNT clearing takes precedence and the TCNT write is not performed. Figure 10.47 shows the timing in this case.

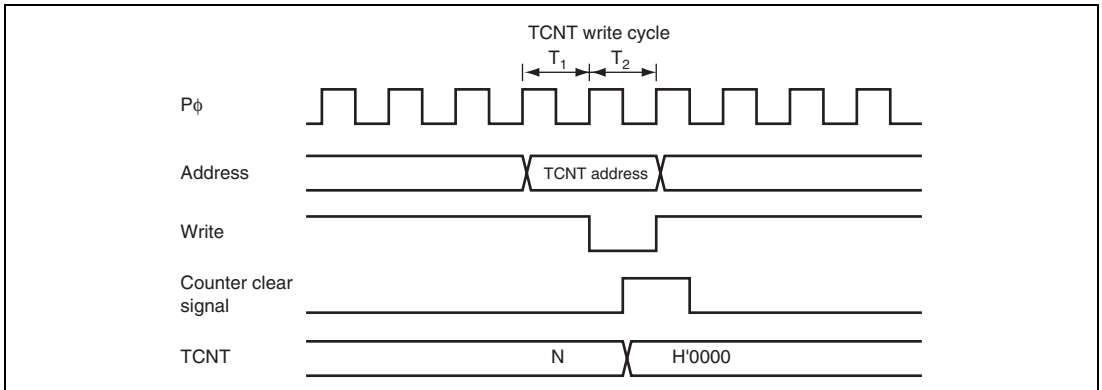


Figure 10.47 Conflict between TCNT Write and Clear Operations

10.10.5 Conflict between TCNT Write and Increment Operations

If incrementing occurs in the T2 state of a TCNT write cycle, the TCNT write takes precedence and TCNT is not incremented. Figure 10.48 shows the timing in this case.

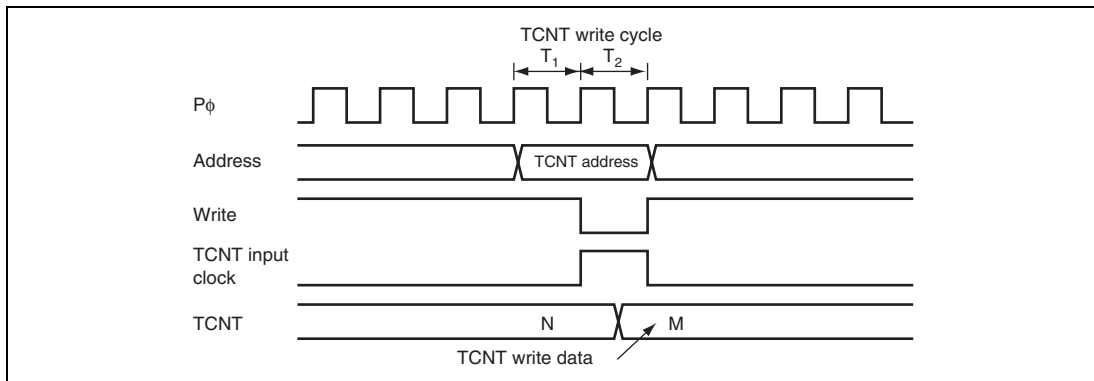


Figure 10.48 Conflict between TCNT Write and Increment Operations

10.10.6 Conflict between TGR Write and Compare Match

If a compare match occurs in the T2 state of a TGR write cycle, the TGR write takes precedence and the compare match signal is disabled. A compare match also does not occur when the same value as before is written.

Figure 10.49 shows the timing in this case.

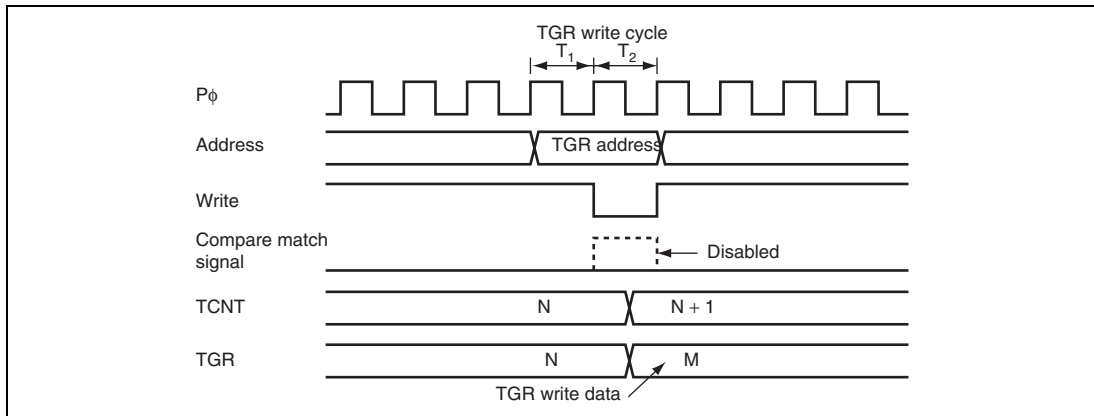


Figure 10.49 Conflict between TGR Write and Compare Match

10.10.7 Conflict between Buffer Register Write and Compare Match

If a compare match occurs in the T2 state of a TGR write cycle, the data transferred to TGR by the buffer operation will be the write data.

Figure 10.50 shows the timing in this case.

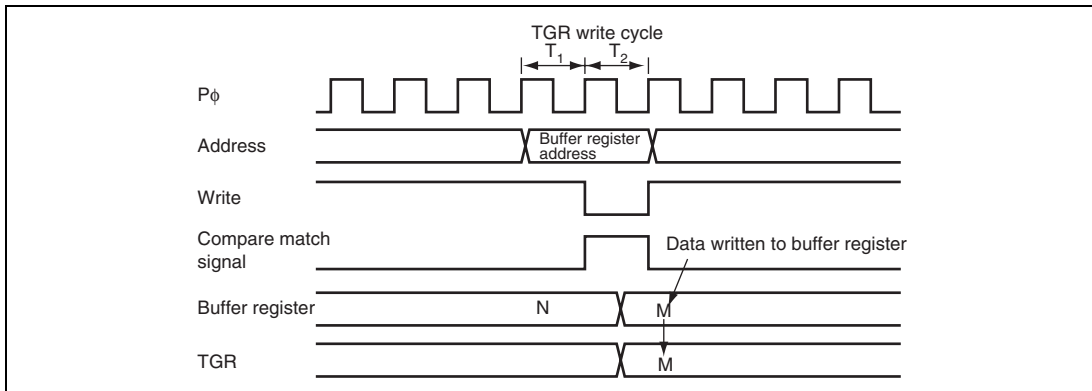


Figure 10.50 Conflict between Buffer Register Write and Compare Match

10.10.8 Conflict between TGR Read and Input Capture

If the input capture signal is generated in the T1 state of a TGR read cycle, the data that is read will be the data after input capture transfer.

Figure 10.51 shows the timing in this case.

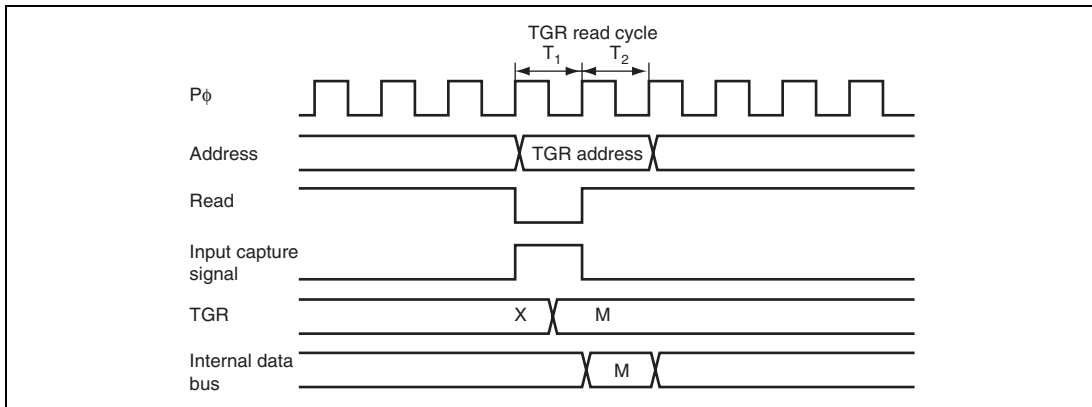


Figure 10.51 Conflict between TGR Read and Input Capture

10.10.9 Conflict between TGR Write and Input Capture

If the input capture signal is generated in the T2 state of a TGR write cycle, the input capture operation takes precedence and the write to TGR is not performed.

Figure 10.52 shows the timing in this case.

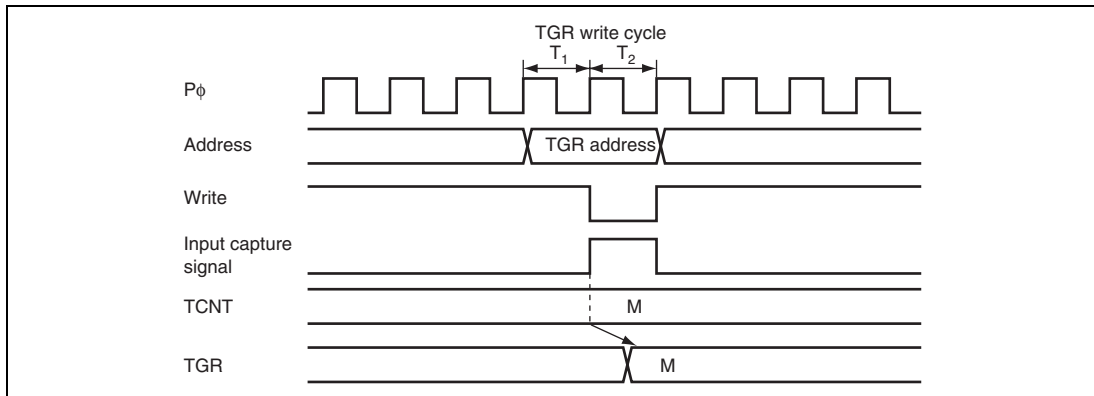


Figure 10.52 Conflict between TGR Write and Input Capture

10.10.10 Conflict between Buffer Register Write and Input Capture

If the input capture signal is generated in the T2 state of a buffer register write cycle, the buffer operation takes precedence and the write to the buffer register is not performed.

Figure 10.53 shows the timing in this case.

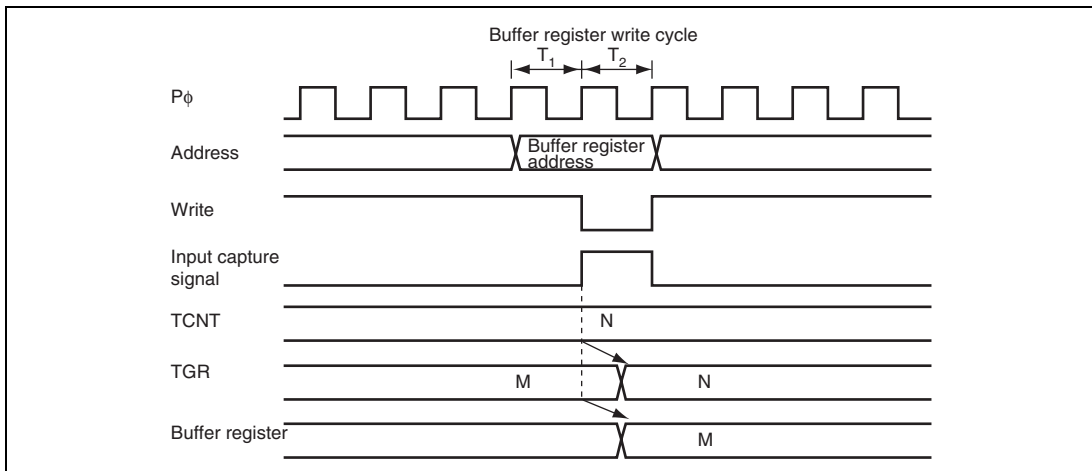


Figure 10.53 Conflict between Buffer Register Write and Input Capture

10.10.11 Conflict between Overflow/Underflow and Counter Clearing

If overflow/underflow and counter clearing occur simultaneously, the TCFV/TCFU flag in TSR is not set and TCNT clearing takes precedence.

Figure 10.54 shows the operation timing when a TGR compare match is specified as the clearing source, and H'FFFF is set in TGR.

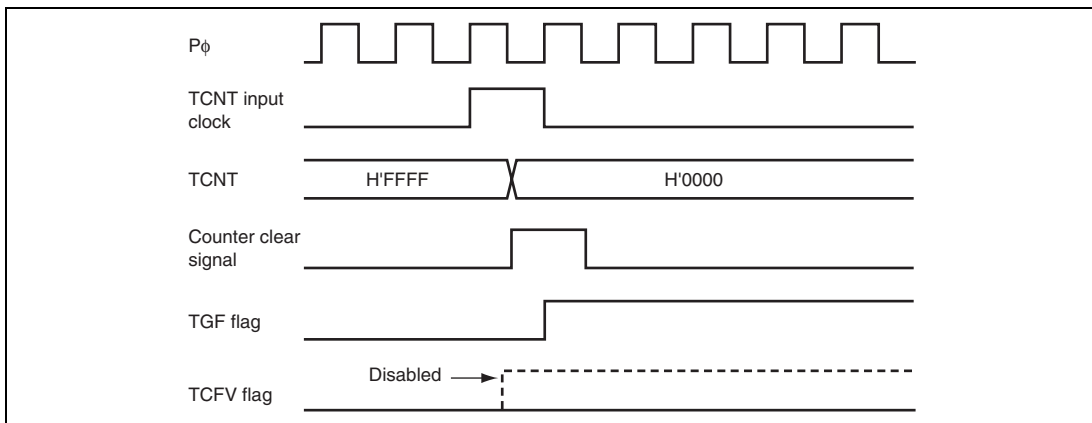


Figure 10.54 Conflict between Overflow and Counter Clearing

10.10.12 Conflict between TCNT Write and Overflow/Underflow

If an overflow/underflow occurs due to increment/decrement in the T2 state of a TCNT write cycle, the TCNT write takes precedence and the TCFV/TCFU flag in TSR is not set.

Figure 10.55 shows the operation timing when there is conflict between TCNT write and overflow.

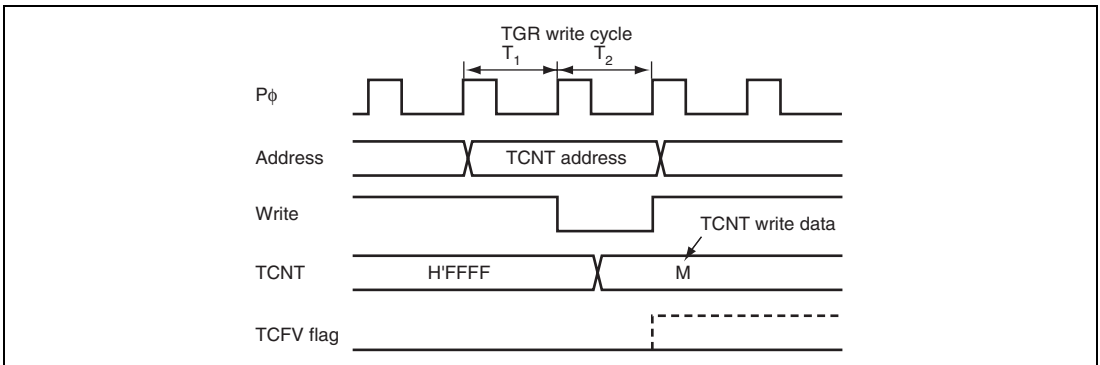


Figure 10.55 Conflict between TCNT Write and Overflow

10.10.13 Multiplexing of I/O Pins

In this LSI, the TCLKA input pin is multiplexed with the TIOCC0 I/O pin, the TCLKB input pin with the TIOCD0 I/O pin, the TCLKC input pin with the TIOCB1 I/O pin, and the TCLKD input pin with the TIOCB2 I/O pin. When an external clock is input, compare match output should not be performed from a multiplexed pin.

10.10.14 Interrupts and Module Stop Mode

If module stop mode is entered when an interrupt has been requested, it will not be possible to clear the CPU interrupt source, DMAC, or DTC activation source. Interrupts should therefore be disabled before entering module stop mode.

Section 11 Programmable Pulse Generator (PPG)

The programmable pulse generator (PPG) provides pulse outputs by using the 16-bit timer pulse unit (TPU) as a time base. The PPG pulse outputs are divided into 4-bit groups (groups 3 and 2) that can operate both simultaneously and independently. Figure 11.1 shows a block diagram of the PPG.

11.1 Features

- 8-bit output data
- Two output groups
- Selectable output trigger signals
- Non-overlapping mode
- Can operate together with the data transfer controller (DTC) and DMA controller (DMAC)
- Inverted output can be set
- Module stop mode can be set

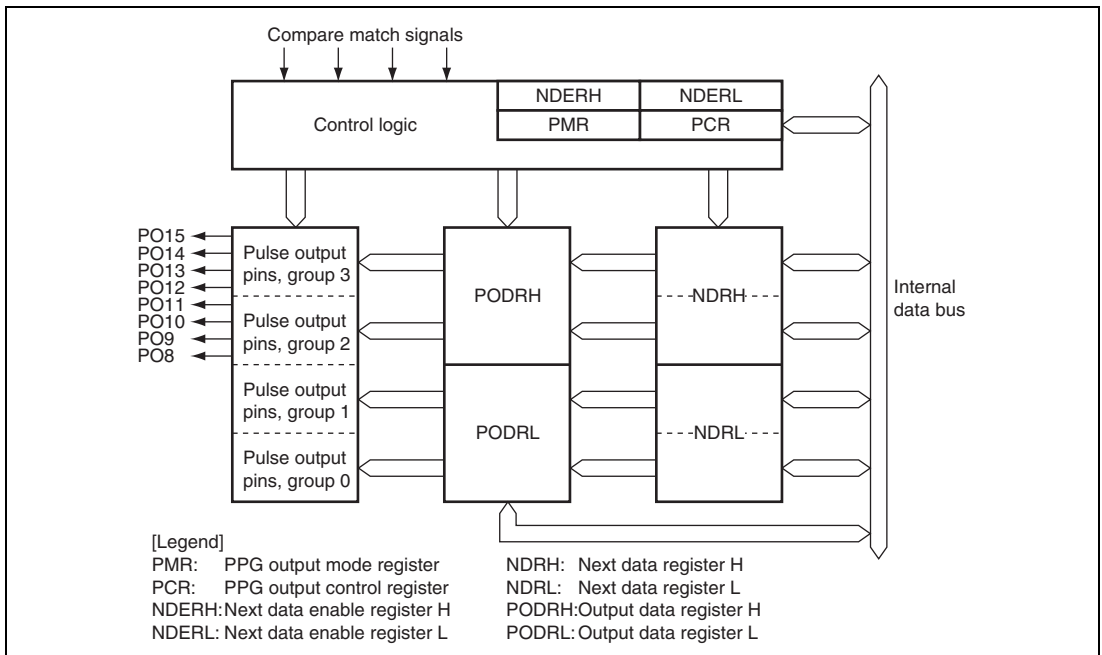


Figure 11.1 Block Diagram of PPG

11.2 Input/Output Pins

Table 11.1 shows the PPG pin configuration.

Table 11.1 Pin Configuration

Pin Name	I/O	Function
PO15	Output	Group 3 pulse output
PO14	Output	
PO13	Output	
PO12	Output	
PO11	Output	Group 2 pulse output
PO10	Output	
PO9	Output	
PO8	Output	

11.3 Register Descriptions

The PPG has the following registers.

- Next data enable register H (NDERH)
- Next data enable register L (NDERL)
- Output data register H (PODRH)
- Output data register L (PODRL)
- Next data register H (NDRH)
- Next data register L (NDRL)
- PPG output control register (PCR)
- PPG output mode register (PMR)

11.3.1 Next Data Enable Registers H, L (NDERH, NDERL)

NDERH and NDERL enable/disable pulse output on a bit-by-bit basis.

- NDERH

Bit	7	6	5	4	3	2	1	0
Bit Name	NDER15	NDER14	NDER13	NDER12	NDER11	NDER10	NDER9	NDER8
Initial Value	0	0	0	0	0	0	0	0
R/W	R/W	R/W	R/W	R/W	R/W	R/W	R/W	R/W

- NDERL

Bit	7	6	5	4	3	2	1	0
Bit Name	NDER7	NDER6	NDER5	NDER4	NDER3	NDER2	NDER1	NDER0
Initial Value	0	0	0	0	0	0	0	0
R/W	R/W	R/W	R/W	R/W	R/W	R/W	R/W	R/W

- NDERH

Bit	Bit Name	Initial Value	R/W	Description
7	NDER15	0	R/W	Next Data Enable 15 to 8
6	NDER14	0	R/W	When a bit is set to 1, the value in the corresponding NDRH bit is transferred to the PODRH bit by the selected output trigger. Values are not transferred from NDRH to PODRH for cleared bits.
5	NDER13	0	R/W	
4	NDER12	0	R/W	
3	NDER11	0	R/W	
2	NDER10	0	R/W	
1	NDER9	0	R/W	
0	NDER8	0	R/W	

- NDERL

Bit	Bit Name	Initial Value	R/W	Description
7	NDER7	0	R/W	Next Data Enable 7 to 0
6	NDER6	0	R/W	When a bit is set to 1, the value in the corresponding NDRL bit is transferred to the PODRL bit by the selected output trigger. Values are not transferred from NDRL to PODRL for cleared bits.
5	NDER5	0	R/W	
4	NDER4	0	R/W	
3	NDER3	0	R/W	
2	NDER2	0	R/W	
1	NDER1	0	R/W	
0	NDER0	0	R/W	

11.3.2 Output Data Registers H, L (PODRH, PODRL)

PODRH and PODRL store output data for use in pulse output. A bit that has been set for pulse output by NDER is read-only and cannot be modified.

- PODRH

Bit	7	6	5	4	3	2	1	0
Bit Name	POD15	POD14	POD13	POD12	POD11	POD10	POD9	POD8
Initial Value	0	0	0	0	0	0	0	0
R/W	R/W	R/W	R/W	R/W	R/W	R/W	R/W	R/W

- PODRL

Bit	7	6	5	4	3	2	1	0
Bit Name	POD7	POD6	POD5	POD4	POD3	POD2	POD1	POD0
Initial Value	0	0	0	0	0	0	0	0
R/W	R/W	R/W	R/W	R/W	R/W	R/W	R/W	R/W

- PODRH

Bit	Bit Name	Initial Value	R/W	Description
7	POD15	0	R/W	Output Data Register 15 to 8
6	POD14	0	R/W	For bits which have been set to pulse output by NDERH, the output trigger transfers NDRH values to this register during PPG operation. While NDERH is set to 1, the CPU cannot write to this register. While NDERH is cleared, the initial output value of the pulse can be set.
5	POD13	0	R/W	
4	POD12	0	R/W	
3	POD11	0	R/W	
2	POD10	0	R/W	
1	POD9	0	R/W	
0	POD8	0	R/W	

- PODRL

Bit	Bit Name	Initial Value	R/W	Description
7	POD7	0	R/W	Output Data Register 7 to 0
6	POD6	0	R/W	For bits which have been set to pulse output by NDERL, the output trigger transfers NDRL values to this register during PPG operation. While NDERL is set to 1, the CPU cannot write to this register. While NDERL is cleared, the initial output value of the pulse can be set.
5	POD5	0	R/W	
4	POD4	0	R/W	
3	POD3	0	R/W	
2	POD2	0	R/W	
1	POD1	0	R/W	
0	POD0	0	R/W	

11.3.3 Next Data Registers H, L (NDRH, NDRL)

NDRH and NDRL store the next data for pulse output. The NDR addresses differ depending on whether pulse output groups have the same output trigger or different output triggers.

- NDRH

Bit	7	6	5	4	3	2	1	0
Bit Name	NDR15	NDR14	NDR13	NDR12	NDR11	NDR10	NDR9	NDR8
Initial Value	0	0	0	0	0	0	0	0
R/W	R/W	R/W	R/W	R/W	R/W	R/W	R/W	R/W

- NDRL

Bit	7	6	5	4	3	2	1	0
Bit Name	NDR7	NDR6	NDR5	NDR4	NDR3	NDR2	NDR1	NDR0
Initial Value	0	0	0	0	0	0	0	0
R/W	R/W	R/W	R/W	R/W	R/W	R/W	R/W	R/W

- NDRH

If pulse output groups 2 and 3 have the same output trigger, all eight bits are mapped to the same address and can be accessed at one time, as shown below.

Bit	Bit Name	Initial Value	R/W	Description
7	NDR15	0	R/W	Next Data Register 15 to 8
6	NDR14	0	R/W	The register contents are transferred to the corresponding PODRH bits by the output trigger specified with PCR.
5	NDR13	0	R/W	
4	NDR12	0	R/W	
3	NDR11	0	R/W	
2	NDR10	0	R/W	
1	NDR9	0	R/W	
0	NDR8	0	R/W	

If pulse output groups 2 and 3 have different output triggers, the upper four bits and lower four bits are mapped to different addresses as shown below.

Bit	Bit Name	Initial Value	R/W	Description
7	NDR15	0	R/W	Next Data Register 15 to 12
6	NDR14	0	R/W	The register contents are transferred to the corresponding PODRH bits by the output trigger specified with PCR.
5	NDR13	0	R/W	
4	NDR12	0	R/W	
3 to 0	—	All 1	R	Reserved These are read-only bits and cannot be modified.

Bit	Bit Name	Initial Value	R/W	Description
7 to 4	—	All 1	R	Reserved These are read-only bits and cannot be modified.
3	NDR11	0	R/W	Next Data Register 11 to 8
2	NDR10	0	R/W	The register contents are transferred to the corresponding PODRH bits by the output trigger specified with PCR.
1	NDR9	0	R/W	
0	NDR8	0	R/W	

- NDRL

If pulse output groups 0 and 1 have the same output trigger, all eight bits are mapped to the same address and can be accessed at one time, as shown below.

Bit	Bit Name	Initial Value	R/W	Description
7	NDR7	0	R/W	Next Data Register 7 to 0
6	NDR6	0	R/W	The register contents are transferred to the corresponding PODRL bits by the output trigger specified with PCR.
5	NDR5	0	R/W	
4	NDR4	0	R/W	
3	NDR3	0	R/W	
2	NDR2	0	R/W	
1	NDR1	0	R/W	
0	NDR0	0	R/W	

If pulse output groups 0 and 1 have different output triggers, the upper four bits and lower four bits are mapped to different addresses as shown below.

Bit	Bit Name	Initial Value	R/W	Description
7	NDR7	0	R/W	Next Data Register 7 to 4
6	NDR6	0	R/W	The register contents are transferred to the corresponding PODRL bits by the output trigger specified with PCR.
5	NDR5	0	R/W	
4	NDR4	0	R/W	
3 to 0	—	All 1	R	Reserved These are read-only bits and cannot be modified.

Bit	Bit Name	Initial Value	R/W	Description
7 to 4	—	All 1	R	Reserved These are read-only bits and cannot be modified.
3	NDR3	0	R/W	Next Data Register 3 to 0
2	NDR2	0	R/W	The register contents are transferred to the corresponding PODRL bits by the output trigger specified with PCR.
1	NDR1	0	R/W	
0	NDR0	0	R/W	

11.3.4 PPG Output Control Register (PCR)

PCR selects output trigger signals on a group-by-group basis. For details on output trigger selection, refer to section 11.3.5, PPG Output Mode Register (PMR).

Bit	7	6	5	4	3	2	1	0
Bit Name	G3CMS1	G3CMS0	G2CMS1	G2CMS0	—	—	—	—
Initial Value	1	1	1	1	1	1	1	1
R/W	R/W	R/W	R/W	R/W	R/W	R/W	R/W	R/W

Bit	Bit Name	Initial Value	R/W	Description
7	G3CMS1	1	R/W	Group 3 Compare Match Select 1 and 0
6	G3CMS0	1	R/W	These bits select output trigger of pulse output group 3. 00: Compare match in TPU channel 0 01: Compare match in TPU channel 1 10: Compare match in TPU channel 2 11: Compare match in TPU channel 3
5	G2CMS1	1	R/W	Group 2 Compare Match Select 1 and 0
4	G2CMS0	1	R/W	These bits select output trigger of pulse output group 2. 00: Compare match in TPU channel 0 01: Compare match in TPU channel 1 10: Compare match in TPU channel 2 11: Compare match in TPU channel 3
3 to 0	—	All 1	R/W	Reserved These bits are always read as 1. The write value should always be 1.

11.3.5 PPG Output Mode Register (PMR)

PMR selects the pulse output mode of the PPG for each group. If inverted output is selected, a low-level pulse is output when PODRH is 1 and a high-level pulse is output when PODRH is 0. If non-overlapping operation is selected, PPG updates its output values at compare match A or B of the TPU that becomes the output trigger. For details, refer to section 11.4.4, Non-Overlapping Pulse Output.

Bit	7	6	5	4	3	2	1	0
Bit Name	G3INV	G2INV	—	—	G3NOV	G2NOV	—	—
Initial Value	1	1	1	1	0	0	0	0
R/W	R/W	R/W	R/W	R/W	R/W	R/W	R/W	R/W

Bit	Bit Name	Initial Value	R/W	Description
7	G3INV	1	R/W	Group 3 Inversion Selects direct output or inverted output for pulse output group 3. 0: Inverted output 1: Direct output
6	G2INV	1	R/W	Group 2 Inversion Selects direct output or inverted output for pulse output group 2. 0: Inverted output 1: Direct output
5, 4	—	All 1	R/W	Reserved These bits are always read as 1. The write value should always be 1.
3	G3NOV	0	R/W	Group 3 Non-Overlap Selects normal or non-overlapping operation for pulse output group 3. 0: Normal operation (output values updated at compare match A in the selected TPU channel) 1: Non-overlapping operation (output values updated at compare match A or B in the selected TPU channel)

Bit	Bit Name	Initial Value	R/W	Description
2	G2NOV	0	R/W	<p>Group 2 Non-Overlap</p> <p>Selects normal or non-overlapping operation for pulse output group 2.</p> <p>0: Normal operation (output values updated at compare match A in the selected TPU channel)</p> <p>1: Non-overlapping operation (output values updated at compare match A or B in the selected TPU channel)</p>
1, 0	—	All 0	R/W	<p>Reserved</p> <p>These bits are always read as 0. The write value should always be 0.</p>

11.4 Operation

Figure 11.2 shows a schematic diagram of the PPG. PPG pulse output is enabled when the corresponding bits in NDER are set to 1. An initial output value is determined by its corresponding PODR initial setting. When the compare match event specified by PCR occurs, the corresponding NDR bit contents are transferred to PODR to update the output values. Sequential output of data of up to eight bits is possible by writing new output data to NDR before the next compare match.

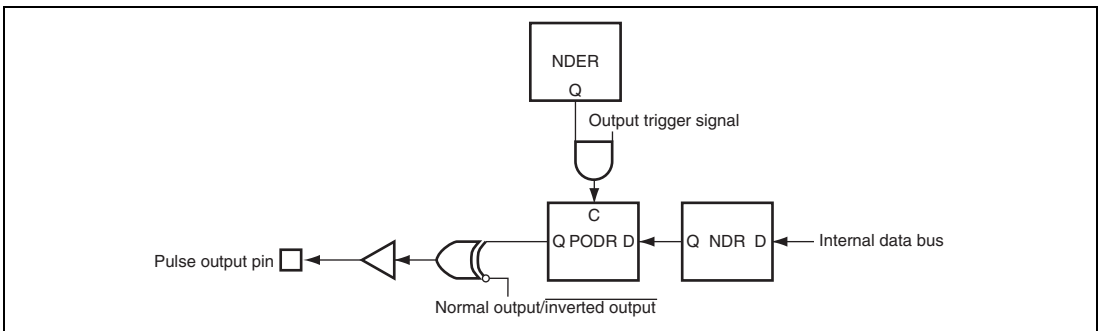


Figure 11.2 Schematic Diagram of PPG

11.4.1 Output Timing

If pulse output is enabled, the NDR contents are transferred to PODR and output when the specified compare match event occurs. Figure 11.3 shows the timing of these operations for the case of normal output in groups 2 and 3, triggered by compare match A.

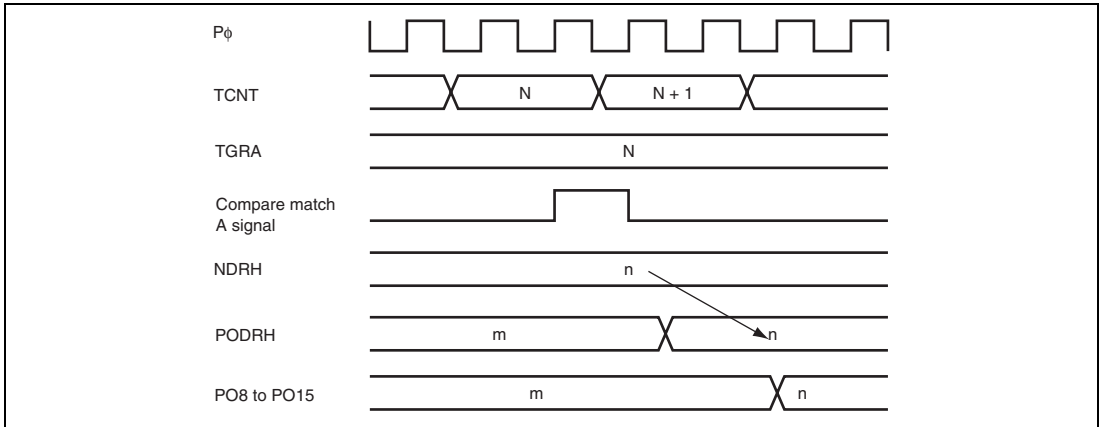


Figure 11.3 Timing of Transfer and Output of NDR Contents (Example)

11.4.2 Sample Setup Procedure for Normal Pulse Output

Figure 11.4 shows a sample procedure for setting up normal pulse output.

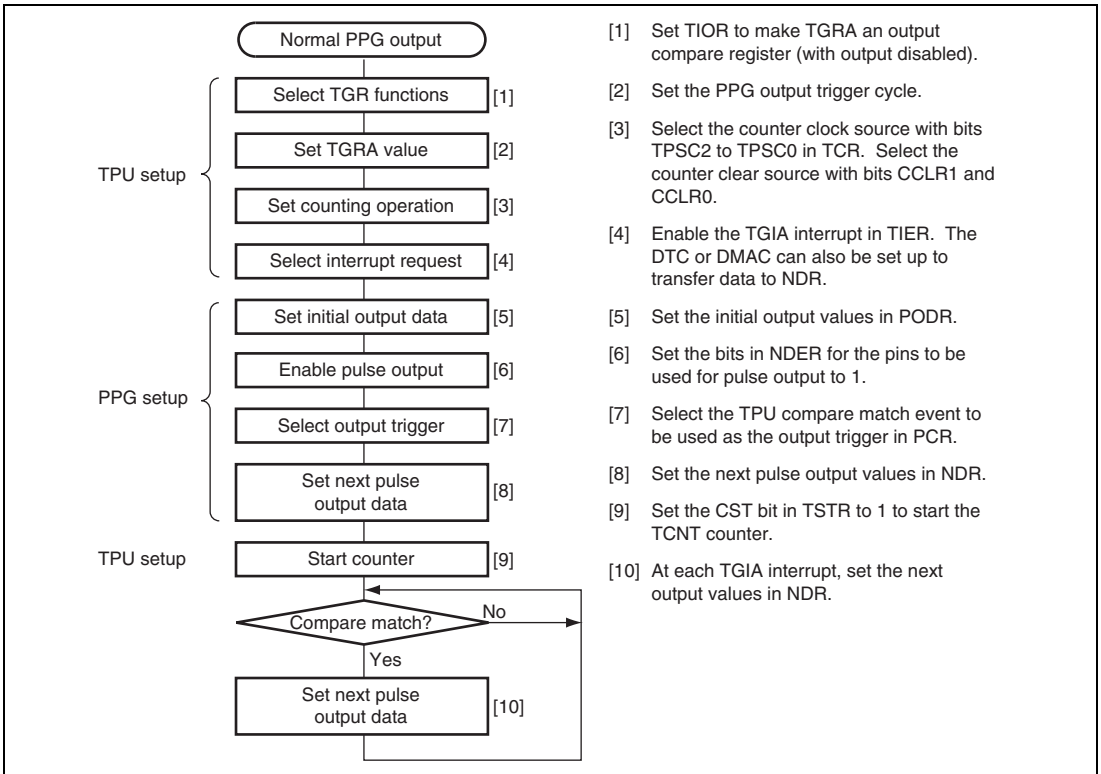


Figure 11.4 Setup Procedure for Normal Pulse Output (Example)

11.4.3 Example of Normal Pulse Output (Example of 5-Phase Pulse Output)

Figure 11.5 shows an example in which pulse output is used for cyclic 5-phase pulse output.

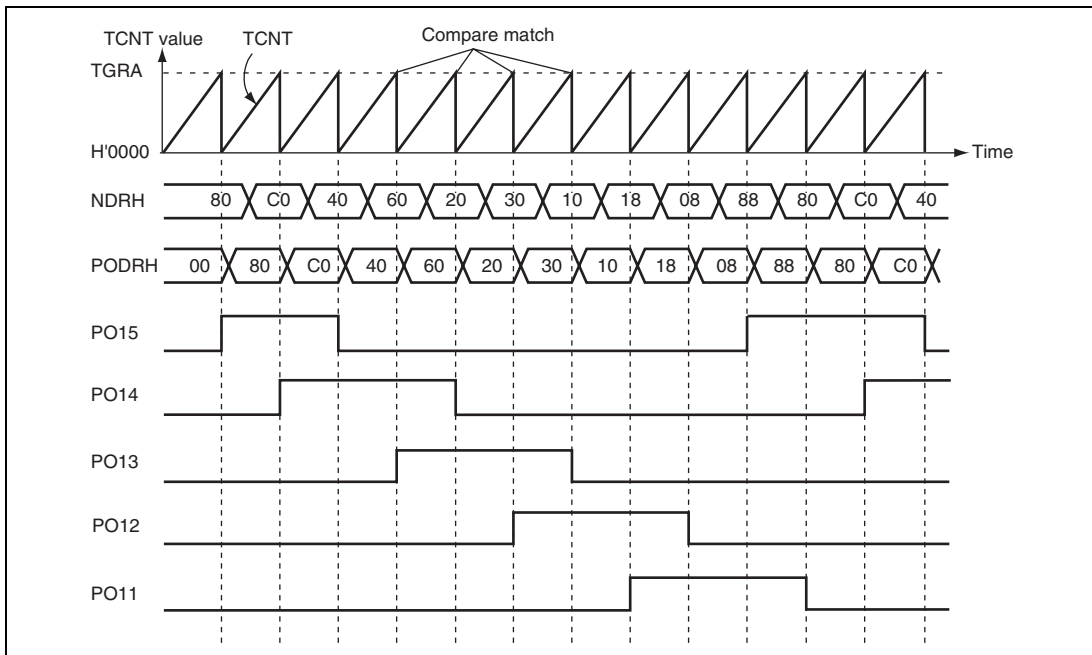


Figure 11.5 Normal Pulse Output Example (5-Phase Pulse Output)

1. Set up TGRA in TPU which is used as the output trigger to be an output compare register. Set a cycle in TGRA so the counter will be cleared by compare match A. Set the TGIEA bit in TIER to 1 to enable the compare match/input capture A (TGIA) interrupt.
2. Write H'F8 to NDERH, and set bits G3CMS1, G3CMS0, G2CMS1, and G2CMS0 in PCR to select compare match in the TPU channel set up in the previous step to be the output trigger. Write output data H'80 in NDRH.
3. The timer counter in the TPU channel starts. When compare match A occurs, the NDRH contents are transferred to PODRH and output. The TGIA interrupt handling routine writes the next output data (H'C0) in NDRH.
4. 5-phase pulse output (one or two phases active at a time) can be obtained subsequently by writing H'40, H'60, H'20, H'30, H'10, H'18, H'08, H'88... at successive TGIA interrupts. If the DTC or DMAC is set for activation by the TGIA interrupt, pulse output can be obtained without imposing a load on the CPU.

11.4.4 Non-Overlapping Pulse Output

During non-overlapping operation, transfer from NDR to PODR is performed as follows:

- At compare match A, the NDR bits are always transferred to PODR.
- At compare match B, the NDR bits are transferred only if their value is 0. The NDR bits are not transferred if their value is 1.

Figure 11.6 illustrates the non-overlapping pulse output operation.

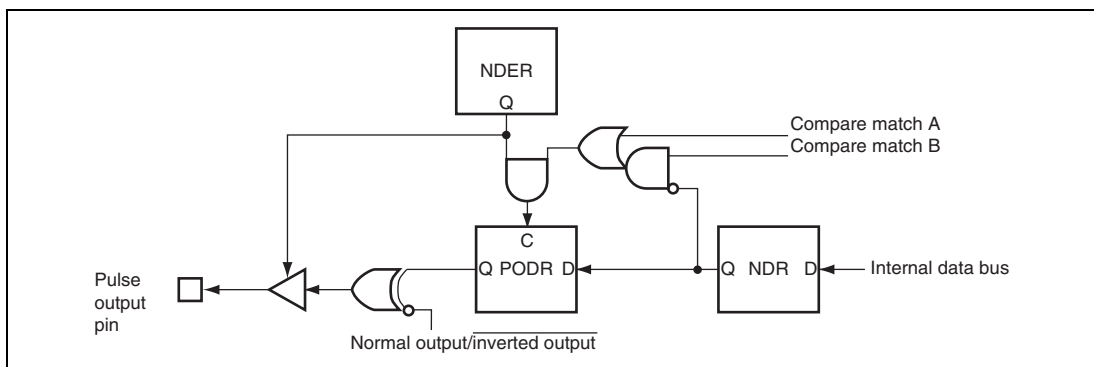


Figure 11.6 Non-Overlapping Pulse Output

Therefore, 0 data can be transferred ahead of 1 data by making compare match B occur before compare match A.

The NDR contents should not be altered during the interval from compare match B to compare match A (the non-overlapping margin).

This can be accomplished by having the TGIA interrupt handling routine write the next data in NDR, or by having the TGIA interrupt activate the DTC or DMAC. Note, however, that the next data must be written before the next compare match B occurs.

Figure 11.7 shows the timing of this operation.

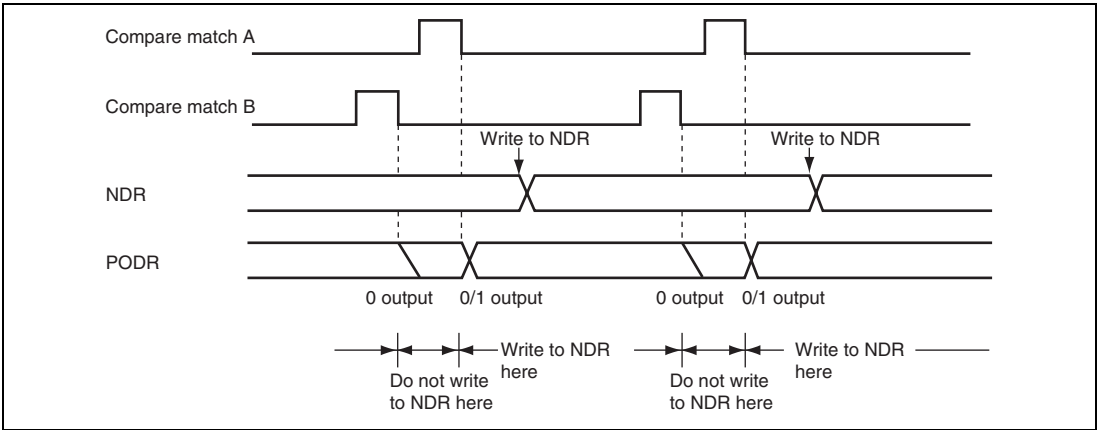


Figure 11.7 Non-Overlapping Operation and NDR Write Timing

11.4.5 Sample Setup Procedure for Non-Overlapping Pulse Output

Figure 11.8 shows a sample procedure for setting up non-overlapping pulse output.

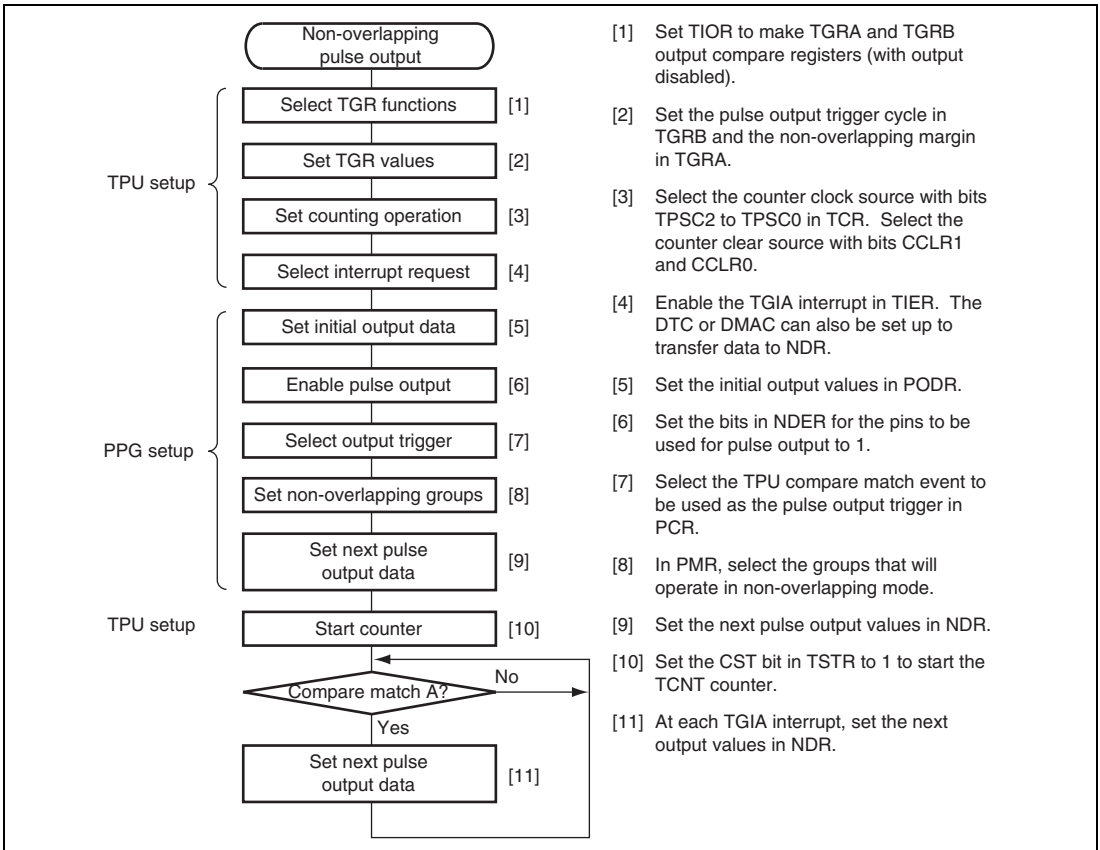


Figure 11.8 Setup Procedure for Non-Overlapping Pulse Output (Example)

11.4.6 Example of Non-Overlapping Pulse Output (Example of 4-Phase Complementary Non-Overlapping Pulse Output)

Figure 11.9 shows an example in which pulse output is used for 4-phase complementary non-overlapping pulse output.

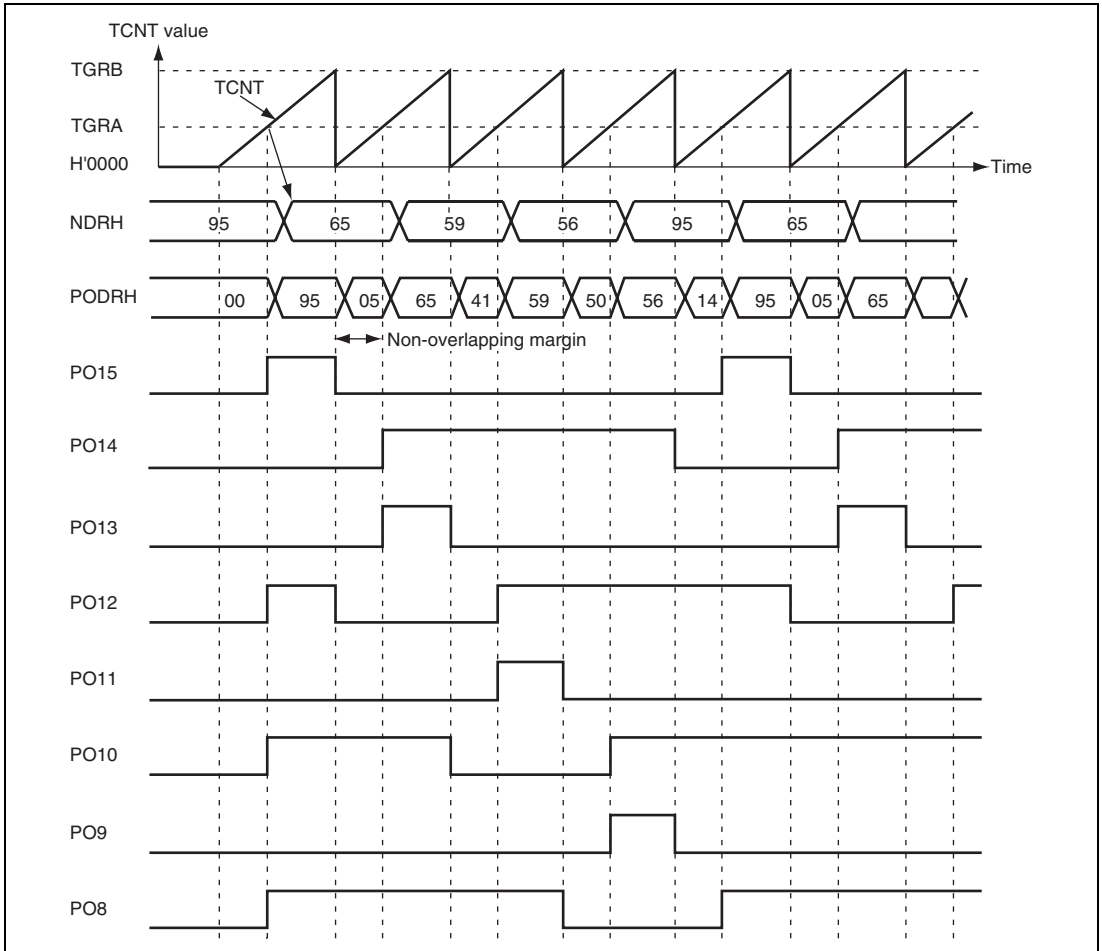


Figure 11.9 Non-Overlapping Pulse Output Example (4-Phase Complementary)

1. Set up the TPU channel to be used as the output trigger channel so that TGRA and TGRB are output compare registers. Set the cycle in TGRB and the non-overlapping margin in TGRA, and set the counter to be cleared by compare match B. Set the TGIEA bit in TIER to 1 to enable the TGIA interrupt.
2. Write H'FF to NDERH, and set bits G3CMS1, G3CMS0, G2CMS1, and G2CMS0 in PCR to select compare match in the TPU channel set up in the previous step to be the output trigger. Set bits G3NOV and G2NOV in PMR to 1 to select non-overlapping pulse output. Write output data H'95 to NDRH.
3. The timer counter in the TPU channel starts. When a compare match with TGRB occurs, outputs change from 1 to 0. When a compare match with TGRA occurs, outputs change from 0 to 1 (the change from 0 to 1 is delayed by the value set in TGRA).
The TGIA interrupt handling routine writes the next output data (H'65) to NDRH.
4. 4-phase complementary non-overlapping pulse output can be obtained subsequently by writing H'59, H'56, H'95... at successive TGIA interrupts.
If the DTC or DMAC is set for activation by a TGIA interrupt, pulse can be output without imposing a load on the CPU.

11.4.7 Inverted Pulse Output

If the G3INV and G2INV bits in PMR are cleared to 0, values that are the inverse of the PODR contents can be output.

Figure 11.10 shows the outputs when the G3INV and G2INV bits are cleared to 0, in addition to the settings of figure 11.9.

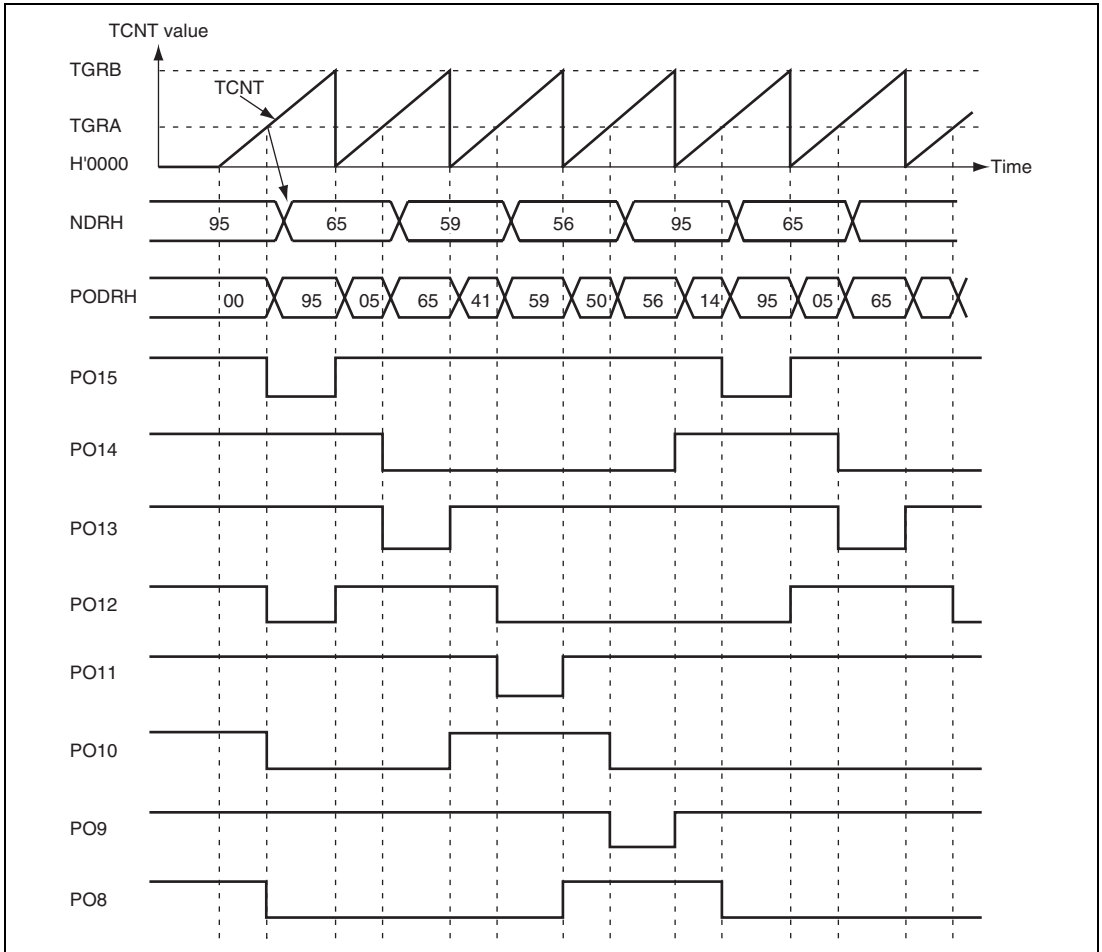


Figure 11.10 Inverted Pulse Output (Example)

11.4.8 Pulse Output Triggered by Input Capture

Pulse output can be triggered by TPU input capture as well as by compare match. If TGRA functions as an input capture register in the TPU channel selected by PCR, pulse output will be triggered by the input capture signal.

Figure 11.11 shows the timing of this output.

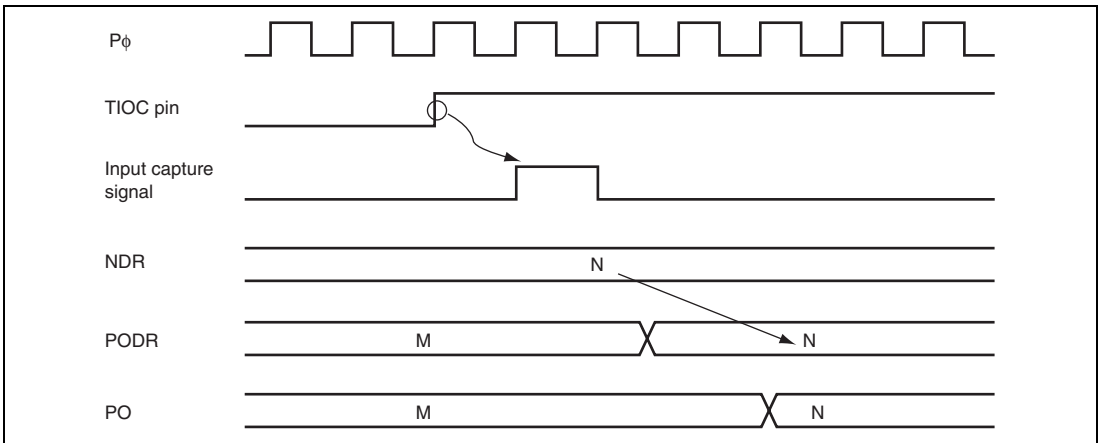


Figure 11.11 Pulse Output Triggered by Input Capture (Example)

11.5 Usage Notes

11.5.1 Module Stop Mode Setting

PPG operation can be disabled or enabled using the module stop control register. The initial value is for PPG operation to be halted. Register access is enabled by clearing module stop mode. For details, refer to section 19, Power-Down Modes.

11.5.2 Operation of Pulse Output Pins

Pins PO0 to PO8 are also used for other peripheral functions such as the TPU. When output by another peripheral function is enabled, the corresponding pins cannot be used for pulse output. Note, however, that data transfer from NDR bits to PODR bits takes place, regardless of the usage of the pins.

Pin functions should be changed only under conditions in which the output trigger event will not occur.

Section 12 Watchdog Timer (WDT)

The watchdog timer (WDT) is an 8-bit timer that outputs an internal reset signal if a system crash prevents the CPU from writing to the timer counter, thus allowing it to overflow.

When this watchdog function is not needed, the WDT can be used as an interval timer. In interval timer operation, an interval timer interrupt is generated each time the counter overflows.

Figure 12.1 shows a block diagram of the WDT.

12.1 Features

- Selectable from eight counter input clocks
- Switchable between watchdog timer mode and interval timer mode
 - In watchdog timer mode
 - If the counter overflows, this LSI can be initialized internally.
 - In interval timer mode
 - If the counter overflows, the WDT generates an interval timer interrupt (WOVI).

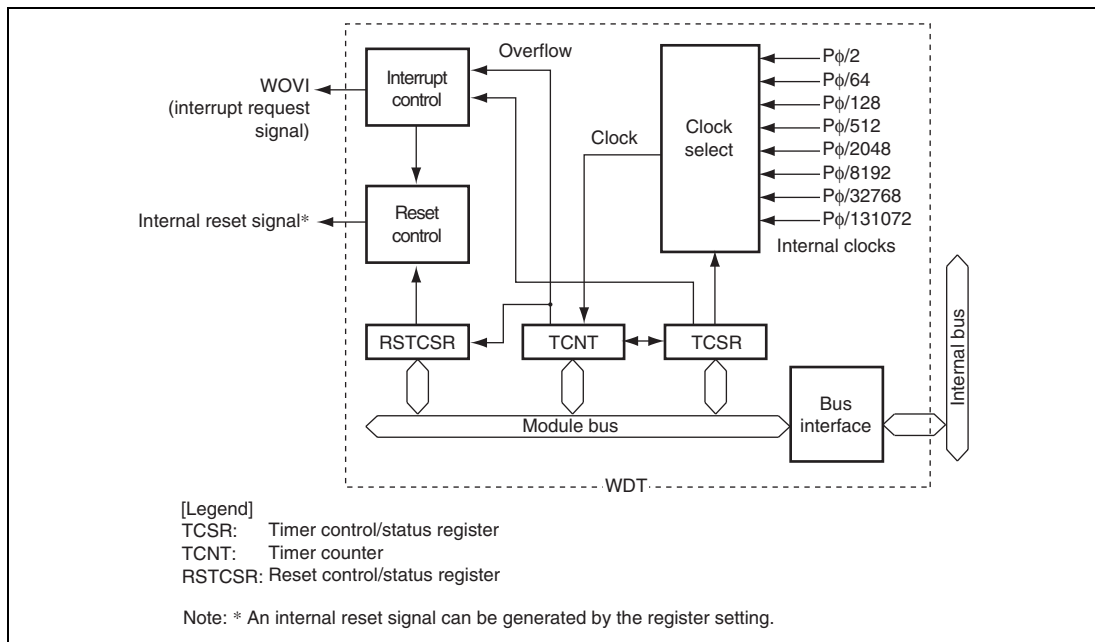


Figure 12.1 Block Diagram of WDT

12.2 Register Descriptions

The WDT has the following three registers. To prevent accidental overwriting, TCSR, TCNT, and RSTCSR have to be written to in a method different from normal registers. For details, see section 12.5.1, Notes on Register Access.

- Timer counter (TCNT)
- Timer control/status register (TCSR)
- Reset control/status register (RSTCSR)

12.2.1 Timer Counter (TCNT)

TCNT is an 8-bit readable/writable up-counter. TCNT is initialized to H'00 when the TME bit in TCSR is cleared to 0.

Bit	7	6	5	4	3	2	1	0
Bit Name								
Initial Value	0	0	0	0	0	0	0	0
R/W	R/W	R/W	R/W	R/W	R/W	R/W	R/W	R/W

12.2.2 Timer Control/Status Register (TCSR)

TCSR selects the clock source to be input to TCNT, and the timer mode.

Bit	7	6	5	4	3	2	1	0
Bit Name	OVF	WT/ \overline{IT}	TME	—	—	CKS2	CKS1	CKS0
Initial Value	0	0	0	1	1	0	0	0
R/W	R/(W)*	R/W	R/W	R	R	R/W	R/W	R/W

Note: * Only 0 can be written to this bit, to clear the flag.

Bit	Bit Name	Initial Value	R/W	Description
7	OVF	0	R/(W)*	<p>Overflow Flag</p> <p>Indicates that TCNT has overflowed in interval timer mode. Only 0 can be written to this bit, to clear the flag.</p> <p>[Setting condition]</p> <ul style="list-style-type: none"> When TCNT overflows in interval timer mode (changes from H'FF to H'00) When internal reset request generation is selected in watchdog timer mode, OVF is cleared automatically by the internal reset. <p>[Clearing condition]</p> <ul style="list-style-type: none"> Cleared by reading TCSR when OVF = 1, then writing 0 to OVF <p>(When the CPU is used to clear this flag by writing 0 while the corresponding interrupt is enabled, be sure to read the flag after writing 0 to it.)</p>
6	WT/ $\overline{\text{IT}}$	0	R/W	<p>Timer Mode Select</p> <p>Selects whether the WDT is used as a watchdog timer or interval timer.</p> <p>0: Interval timer mode</p> <p>When TCNT overflows, an interval timer interrupt (WOVI) is requested.</p> <p>1: Watchdog timer mode</p> <p>When TCNT overflows while RSTE = 1, this LSI is initialized initially.</p>
5	TME	0	R/W	<p>Timer Enable</p> <p>When this bit is set to 1, TCNT starts counting. When this bit is cleared, TCNT stops counting and is initialized to H'00.</p>
4, 3	—	All 1	R	<p>Reserved</p> <p>These are read-only bits and cannot be modified.</p>

Bit	Bit Name	Initial Value	R/W	Description
2	CKS2	0	R/W	Clock Select 2 to 0
1	CKS1	0	R/W	Select the clock source to be input to TCNT. The overflow cycle for $P\phi = 20$ MHz is indicated in parentheses.
0	CKS0	0	R/W	000: Clock $P\phi/2$ (cycle: 25.6 μ s) 001: Clock $P\phi/64$ (cycle: 819.2 μ s) 010: Clock $P\phi/128$ (cycle: 1.6 ms) 011: Clock $P\phi/512$ (cycle: 6.6 ms) 100: Clock $P\phi/2048$ (cycle: 26.2 ms) 101: Clock $P\phi/8192$ (cycle: 104.9 ms) 110: Clock $P\phi/32768$ (cycle: 419.4 ms) 111: Clock $P\phi/131072$ (cycle: 1.68 s)

Note: * Only 0 can be written to this bit, to clear the flag.

12.2.3 Reset Control/Status Register (RSTCSR)

RSTCSR controls the generation of the internal reset signal when TCNT overflows, and selects the type of internal reset signal. RSTCSR is initialized to H'1F by a reset signal from the \overline{RES} pin, but not by the WDT internal reset signal caused by WDT overflows.

Bit	7	6	5	4	3	2	1	0
Bit Name	WOVF	RSTE	—	—	—	—	—	—
Initial Value	0	0	0	1	1	1	1	1
R/W	R/(W)*	R/W	R/W	R	R	R	R	R

Note: * Only 0 can be written to this bit, to clear the flag.

Bit	Bit Name	Initial Value	R/W	Description
7	WOVF	0	R/(W)*	<p>Watchdog Timer Overflow Flag</p> <p>This bit is set when TCNT overflows in watchdog timer mode. This bit cannot be set in interval timer mode, and only 0 can be written.</p> <p>[Setting condition]</p> <ul style="list-style-type: none"> When TCNT overflows (changed from H'FF to H'00) in watchdog timer mode <p>[Clearing condition]</p> <ul style="list-style-type: none"> Reading RSTCSR when WOVF = 1, and then writing 0 to WOVF
6	RSTE	0	R/W	<p>Reset Enable</p> <p>Specifies whether or not this LSI is internally reset if TCNT overflows during watchdog timer operation.</p> <p>0: LSI is not reset even if TCNT overflows (Though this LSI is not reset, TCNT and TCSR in WDT are reset)</p> <p>1: LSI is reset if TCNT overflows</p>
5	—	0	R/W	<p>Reserved</p> <p>This bit is always read as 0. The write value should always be 0.</p>
4 to 0	—	All 1	R	<p>Reserved</p> <p>These are read-only bits and cannot be modified.</p>

Note: * Only 0 can be written to this bit to clear the flag.

12.3 Operation

12.3.1 Watchdog Timer Mode

To use the WDT in watchdog timer mode, set both the $\overline{WT/IT}$ and TME bits in TCSR to 1.

When TCNT overflows in watchdog timer mode, the WOVF bit in RSTCSR is set to 1.

When the watchdog timer mode is selected and the RSTE bit in RSTCSR is set to 1, if TCNT overflows without being rewritten because of a system crash or other error, this LSI is initialized internally. This ensures that TCNT does not overflow while the system is operating normally. Software must prevent TCNT overflows by rewriting the TCNT value (normally H'00 is written) before overflow occurs.

If a reset caused by a signal input to the \overline{RES} pin occurs at the same time as a reset caused by a WDT overflow (TCNT has overflowed), the \overline{RES} pin reset has priority and the WOVF bit in RSTCSR is cleared to 0.

The internal reset signal is output for 519 cycles of $P\phi$.

When $RSTE = 1$, a signal to initialize this LSI internally is generated. Since this signal initializes the system clock control register (SCKCR), the multiplication ratio of $P\phi$ clock is also initialized.

When $RSTE = 0$, the signal is not generated, meaning that the SCKCR value and multiplication ratio of $P\phi$ clock remain unchanged.

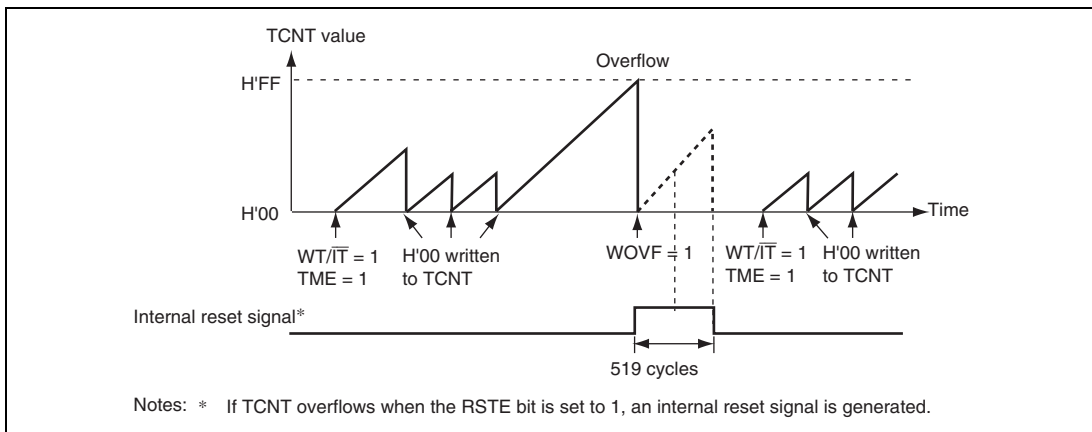


Figure 12.2 Operation in Watchdog Timer Mode

12.3.2 Interval Timer Mode

To use the WDT as an interval timer, set the $\overline{WT/IT}$ bit to 0 and the TME bit to 1 in TCSR.

When the WDT is used as an interval timer, an interval timer interrupt (WOVI) is generated each time the TCNT overflows. Therefore, an interrupt can be generated at intervals.

When the TCNT overflows in interval timer mode, an interval timer interrupt (WOVI) is requested at the same time the OVF bit in the TCSR is set to 1.

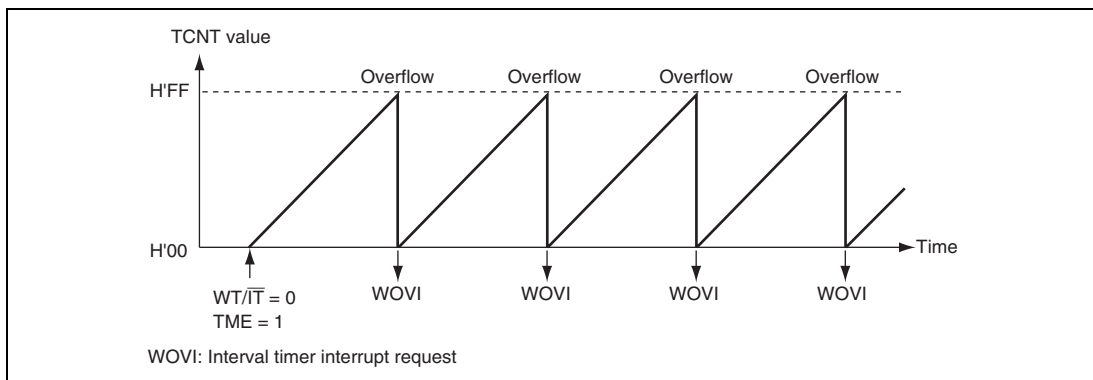


Figure 12.3 Operation in Interval Timer Mode

12.4 Interrupt Source

During interval timer mode operation, an overflow generates an interval timer interrupt (WOVI). The interval timer interrupt is requested whenever the OVF flag is set to 1 in TCSR. The OVF flag must be cleared to 0 in the interrupt handling routine.

Table 12.1 WDT Interrupt Source

Name	Interrupt Source	Interrupt Flag	DTC Activation	DMAC Activation
WOVI	TCNT overflow	OVF	Impossible	Impossible

12.5 Usage Notes

12.5.1 Notes on Register Access

The watchdog timer's TCNT, TCSR, and RSTCSR registers differ from other registers in being more difficult to write to. The procedures for writing to and reading these registers are given below.

(1) Writing to TCNT, TCSR, and RSTCSR

TCNT and TCSR must be written to by a word transfer instruction. They cannot be written to by a byte transfer instruction.

For writing, TCNT and TCSR are assigned to the same address. Accordingly, perform data transfer as shown in figure 12.4. The transfer instruction writes the lower byte data to TCNT or TCSR.

To write to RSTCSR, execute a word transfer instruction for address H'FFA6. A byte transfer instruction cannot be used to write to RSTCSR.

The method of writing 0 to the WOVF bit in RSTCSR differs from that of writing to the RSTE bit in RSTCSR. Perform data transfer as shown in figure 12.4.

At data transfer, the transfer instruction clears the WOVF bit to 0, but has no effect on the RSTE bit. To write to the RSTE bit, perform data transfer as shown in figure 12.4. In this case, the transfer instruction writes the value in bit 6 of the lower byte to the RSTE bit, but has no effect on the WOVF bit.

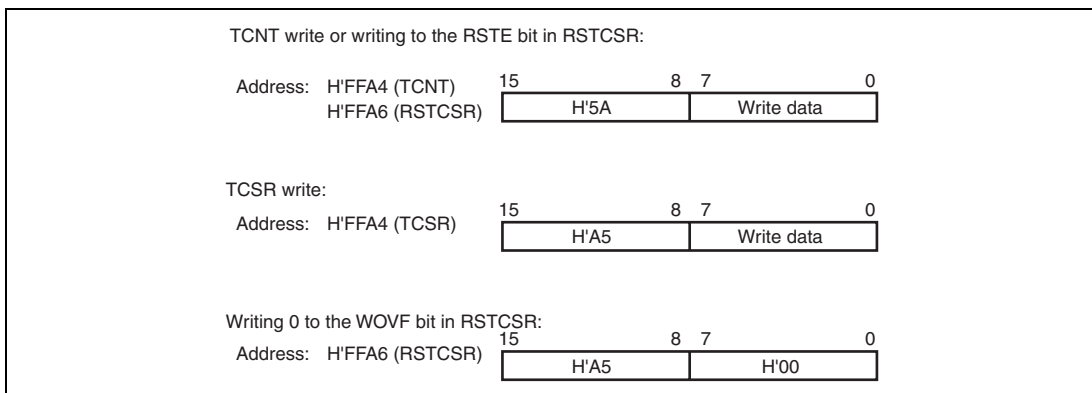


Figure 12.4 Writing to TCNT, TCSR, and RSTCSR

(2) Reading from TCNT, TCSR, and RSTCSR

These registers can be read from in the same way as other registers. For reading, TCSR is assigned to address H'FFA4, TCNT to address H'FFA5, and RSTCSR to address H'FFA7.

12.5.2 Conflict between Timer Counter (TCNT) Write and Increment

If a TCNT clock pulse is generated during the T2 state of a TCNT write cycle, the write takes priority and the timer counter is not incremented. Figure 12.5 shows this operation.

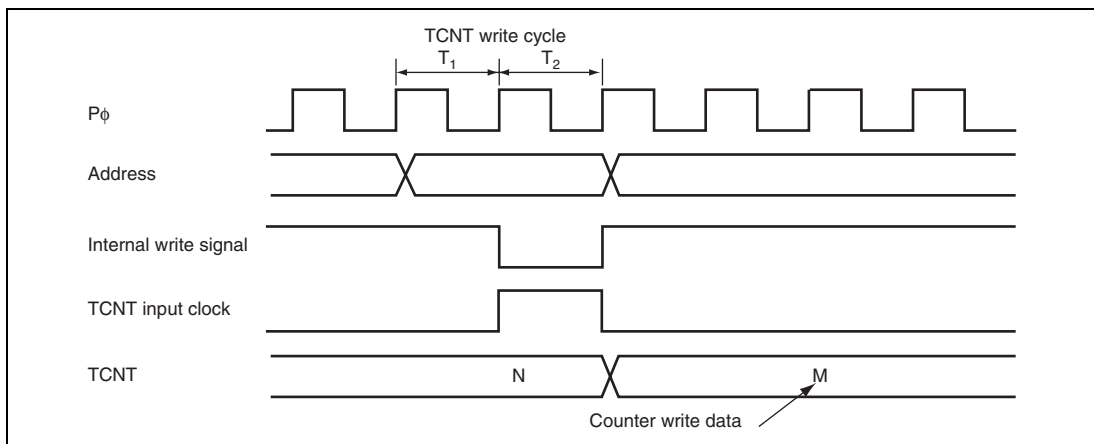


Figure 12.5 Conflict between TCNT Write and Increment

12.5.3 Changing Values of Bits CKS2 to CKS0

If bits CKS2 to CKS0 in TCSR are written to while the WDT is operating, errors could occur in the incrementation. The watchdog timer must be stopped (by clearing the TME bit to 0) before the values of bits CKS2 to CKS0 are changed.

12.5.4 Switching between Watchdog Timer Mode and Interval Timer Mode

If the timer mode is switched from watchdog timer mode to interval timer mode while the WDT is operating, errors could occur in the incrementation. The watchdog timer must be stopped (by clearing the TME bit to 0) before switching the timer mode.

12.5.5 Transition to Watchdog Timer Mode or Software Standby Mode

When the WDT operates in watchdog timer mode, a transition to software standby mode is not made even when the SLEEP instruction is executed when the SSBY bit in SBYCR is set to 1. Instead, a transition to sleep mode is made.

To transit to software standby mode, the SLEEP instruction must be executed after halting the WDT (clearing the TME bit to 0).

When the WDT operates in interval timer mode, a transition to software standby mode is made through execution of the SLEEP instruction when the SSBY bit in SBYCR is set to 1.

Section 13 Serial Communication Interface (SCI)

This LSI has two independent serial communication interface (SCI) channels. The SCI can handle both asynchronous and clocked synchronous serial communication. Asynchronous serial data communication can be carried out with standard asynchronous communication chips such as a Universal Asynchronous Receiver/Transmitter (UART) or Asynchronous Communication Interface Adapter (ACIA). A function is also provided for serial communication between processors (multiprocessor communication function). The SCI also supports the smart card (IC card) interface conforming to ISO/IEC 7816-3 (Identification Card) as an extended asynchronous communication mode. Figure 13.1 shows a block diagram of the SCI.

13.1 Features

- Choice of asynchronous or clocked synchronous serial communication mode
- Full-duplex communication capability

The transmitter and receiver are mutually independent, enabling transmission and reception to be executed simultaneously. Double-buffering is used in both the transmitter and the receiver, enabling continuous transmission and continuous reception of serial data.

- On-chip baud rate generator allows any bit rate to be selected

The external clock can be selected as a transfer clock source (except for the smart card interface).

- Choice of LSB-first or MSB-first transfer (except in the case of asynchronous mode 7-bit data)
- Four interrupt sources

The interrupt sources are transmit-end, transmit-data-empty, receive-data-full, and receive error. The transmit-data-empty and receive-data-full interrupt sources can activate the DTC or DMAC.

- Module stop mode can be set

Asynchronous Mode:

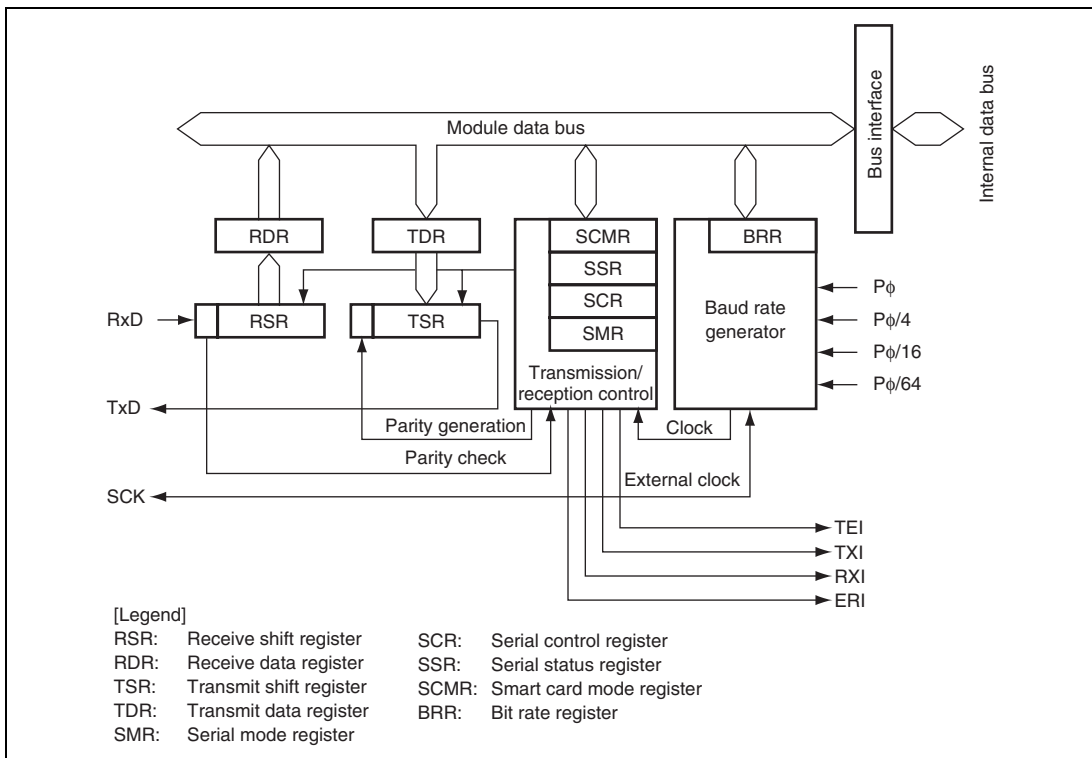
- Data length: 7 or 8 bits
- Stop bit length: 1 or 2 bits
- Parity: Even, odd, or none
- Receive error detection: Parity, overrun, and framing errors
- Break detection: Break can be detected by reading the RxD pin level directly in case of a framing error

Clocked Synchronous Mode:

- Data length: 8 bits
- Receive error detection: Overrun errors

Smart Card Interface:

- An error signal can be automatically transmitted on detection of a parity error during reception
- Data can be automatically re-transmitted on receiving an error signal during transmission
- Both direct convention and inverse convention are supported

**Figure 13.1 Block Diagram of SCI**

13.2 Input/Output Pins

Table 13.1 lists the pin configuration of the SCI.

Table 13.1 Pin Configuration

Channel	Pin Name*	I/O	Function
3	SCK3	I/O	Channel 3 clock input/output
	RxD3	Input	Channel 3 receive data input
	TxD3	Output	Channel 3 transmit data output
4	SCK4	I/O	Channel 4 clock input/output
	RxD4	Input	Channel 4 receive data input
	TxD4	Output	Channel 4 transmit data output

Note: * Pin names SCK, RxD, and TxD are used in the text for all channels, omitting the channel designation.

13.3 Register Descriptions

The SCI has the following registers. Some bits in the serial mode register (SMR), serial status register (SSR), and serial control register (SCR) have different functions in different modes: Normal serial communication interface mode and smart card interface mode. The bits, therefore, are described separately for each mode in the corresponding register sections.

Channel 3:

- Receive shift register_3 (RSR_3)
- Transmit shift register_3 (TSR_3)
- Receive data register_3 (RDR_3)
- Transmit data register_3 (TDR_3)
- Serial mode register_3 (SMR_3)
- Serial control register_3 (SCR_3)
- Serial status register_3 (SSR_3)
- Smart card mode register_3 (SCMR_3)
- Bit rate register_3 (BRR_3)

Channel 4:

- Receive shift register_4 (RSR_4)
- Transmit shift register_4 (TSR_4)
- Receive data register_4 (RDR_4)
- Transmit data register_4 (TDR_4)
- Serial mode register_4 (SMR_4)
- Serial control register_4 (SCR_4)
- Serial status register_4 (SSR_4)
- Smart card mode register_4 (SCMR_4)
- Bit rate register_4 (BRR_4)

13.3.1 Receive Shift Register (RSR)

RSR is a shift register which is used to receive serial data input from the RxD pin and converts it into parallel data. When one frame of data has been received, it is transferred to RDR automatically. RSR cannot be directly accessed by the CPU.

13.3.2 Receive Data Register (RDR)

RDR is an 8-bit register that stores receive data. When the SCI has received one frame of serial data, it transfers the received serial data from RSR to RDR where it is stored. This allows RSR to receive the next data. Since RSR and RDR function as a double buffer in this way, continuous receive operations can be performed. After confirming that the RDRF bit in SSR is set to 1, read RDR only once. RDR cannot be written to by the CPU.

Bit	7	6	5	4	3	2	1	0
Bit Name								
Initial Value	0	0	0	0	0	0	0	0
R/W	R	R	R	R	R	R	R	R

13.3.3 Transmit Data Register (TDR)

TDR is an 8-bit register that stores transmit data. When the SCI detects that TSR is empty, it transfers the transmit data written in TDR to TSR and starts transmission. The double-buffered structures of TDR and TSR enables continuous serial transmission. If the next transmit data has already been written to TDR when one frame of data is transmitted, the SCI transfers the written data to TSR to continue transmission. Although TDR can be read from or written to by the CPU at all times, to achieve reliable serial transmission, write transmit data to TDR for only once after confirming that the TDRE bit in SSR is set to 1.

Bit	7	6	5	4	3	2	1	0
Bit Name								
Initial Value	1	1	1	1	1	1	1	1
R/W	R/W	R/W	R/W	R/W	R/W	R/W	R/W	R/W

13.3.4 Transmit Shift Register (TSR)

TSR is a shift register that transmits serial data. To perform serial data transmission, the SCI first automatically transfers transmit data from TDR to TSR, then sends the data to the TxD pin. TSR cannot be directly accessed by the CPU.

13.3.5 Serial Mode Register (SMR)

SMR is used to set the SCI's serial transfer format and select the baud rate generator clock source. Some bits in SMR have different functions in normal mode and smart card interface mode.

- When SMIF in SCMR = 0

Bit	7	6	5	4	3	2	1	0
Bit Name	C/ \bar{A}	CHR	PE	O/ \bar{E}	STOP	MP	CKS1	CKS0
Initial Value	0	0	0	0	0	0	0	0
R/W	R/W	R/W	R/W	R/W	R/W	R/W	R/W	R/W

- When SMIF in SCMR = 1

Bit	7	6	5	4	3	2	1	0
Bit Name	GM	BLK	PE	O/ \bar{E}	BCP1	BCP0	CKS1	CKS0
Initial Value	0	0	0	0	0	0	0	0
R/W	R/W	R/W	R/W	R/W	R/W	R/W	R/W	R/W

Bit Functions in Normal Serial Communication Interface Mode (When SMIF in SCMR = 0):

Bit	Bit Name	Initial Value	R/W	Description
7	C/ \bar{A}	0	R/W	Communication Mode 0: Asynchronous mode 1: Clocked synchronous mode
6	CHR	0	R/W	Character Length (valid only in asynchronous mode) 0: Selects 8 bits as the data length. 1: Selects 7 bits as the data length. LSB-first is fixed and the MSB (bit 7) in TDR is not transmitted in transmission. In clocked synchronous mode, a fixed data length of 8 bits is used.
5	PE	0	R/W	Parity Enable (valid only in asynchronous mode) When this bit is set to 1, the parity bit is added to transmit data before transmission, and the parity bit is checked in reception. For a multiprocessor format, parity bit addition and checking are not performed regardless of the PE bit setting.
4	O/ \bar{E}	0	R/W	Parity Mode (valid only when the PE bit is 1 in asynchronous mode) 0: Selects even parity. 1: Selects odd parity.
3	STOP	0	R/W	Stop Bit Length (valid only in asynchronous mode) Selects the stop bit length in transmission. 0: 1 stop bit 1: 2 stop bits In reception, only the first stop bit is checked. If the second stop bit is 0, it is treated as the start bit of the next transmit frame.
2	MP	0	R/W	Multiprocessor Mode (valid only in asynchronous mode) When this bit is set to 1, the multiprocessor function is enabled. The PE bit and O/ \bar{E} bit settings are invalid in multiprocessor mode.

Bit	Bit Name	Initial Value	R/W	Description
1	CKS1	0	R/W	Clock Select 1, 0
0	CKS0	0	R/W	<p>These bits select the clock source for the baud rate generator.</p> <p>00: Pϕ clock (n = 0)</p> <p>01: Pϕ/4 clock (n = 1)</p> <p>10: Pϕ/16 clock (n = 2)</p> <p>11: Pϕ/64 clock (n = 3)</p> <p>For the relation between the settings of these bits and the baud rate, see section 13.3.9, Bit Rate Register (BRR). n is the decimal display of the value of n in BRR (see section 13.3.9, Bit Rate Register (BRR)).</p>

Bit Functions in Smart Card Interface Mode (When SMIF in SCMR = 1):

Bit	Bit Name	Initial Value	R/W	Description
7	GM	0	R/W	<p>GSM Mode</p> <p>Setting this bit to 1 allows GSM mode operation. In GSM mode, the TEND set timing is put forward to 11.0 etu from the start and the clock output control function is appended. For details, see sections 13.7.6, Data Transmission (Except in Block Transfer Mode) and 13.7.8, Clock Output Control.</p>
6	BLK	0	R/W	<p>Setting this bit to 1 allows block transfer mode operation. For details, see section 13.7.3, Block Transfer Mode.</p>
5	PE	0	R/W	<p>Parity Enable (valid only in asynchronous mode)</p> <p>When this bit is set to 1, the parity bit is added to transmit data before transmission, and the parity bit is checked in reception. Set this bit to 1 in smart card interface mode.</p>
4	O \bar{E}	0	R/W	<p>Parity Mode (valid only when the PE bit is 1 in asynchronous mode)</p> <p>0: Selects even parity</p> <p>1: Selects odd parity</p> <p>For details on the usage of this bit in smart card interface mode, see section 13.7.2, Data Format (Except in Block Transfer Mode).</p>

Bit	Bit Name	Initial Value	R/W	Description
3	BCP1	0	R/W	Basic Clock Pulse 1,0
2	BCP0	0	R/W	These bits select the number of basic clock cycles in a 1-bit data transfer time in smart card interface mode. 00: 32 clock cycles (S = 32) 01: 64 clock cycles (S = 64) 10: 372 clock cycles (S = 372) 11: 256 clock cycles (S = 256) For details, see section 13.7.4, Receive Data Sampling Timing and Reception Margin. S is described in section 13.3.9, Bit Rate Register (BRR).
1	CKS1	0	R/W	Clock Select 1,0
0	CKS0	0	R/W	These bits select the clock source for the baud rate generator. 00: P ϕ clock (n = 0) 01: P ϕ /4 clock (n = 1) 10: P ϕ /16 clock (n = 2) 11: P ϕ /64 clock (n = 3) For the relation between the settings of these bits and the baud rate, see section 13.3.9, Bit Rate Register (BRR). n is the decimal display of the value of n in BRR (see section 13.3.9, Bit Rate Register (BRR)).

Note: etu (Elementary Time Unit): 1-bit transfer time

13.3.6 Serial Control Register (SCR)

SCR is a register that enables/disables the following SCI transfer operations and interrupt requests, and selects the transfer clock source. For details on interrupt requests, see section 13.8, Interrupt Sources. Some bits in SCR have different functions in normal mode and smart card interface mode.

- When SMIF in SCMR = 0

Bit	7	6	5	4	3	2	1	0
Bit Name	TIE	RIE	TE	RE	MPIE	TEIE	CKE1	CKE0
Initial Value	0	0	0	0	0	0	0	0
R/W	R/W	R/W	R/W	R/W	R/W	R/W	R/W	R/W

- When SMIF in SCMR = 1

Bit	7	6	5	4	3	2	1	0
Bit Name	TIE	RIE	TE	RE	MPIE	TEIE	CKE1	CKE0
Initial Value	0	0	0	0	0	0	0	0
R/W	R/W	R/W	R/W	R/W	R/W	R/W	R/W	R/W

Bit Functions in Normal Serial Communication Interface Mode (When SMIF in SCMR = 0):

Bit	Bit Name	Initial Value	R/W	Description
7	TIE	0	R/W	<p>Transmit Interrupt Enable</p> <p>When this bit is set to 1, a TXI interrupt request is enabled.</p> <p>A TXI interrupt request can be cancelled by reading 1 from the TDRE flag and then clearing the flag to 0, or by clearing the TIE bit to 0.</p>
6	RIE	0	R/W	<p>Receive Interrupt Enable</p> <p>When this bit is set to 1, RXI and ERI interrupt requests are enabled.</p> <p>RXI and ERI interrupt requests can be cancelled by reading 1 from the RDRF, FER, PER, or ORER flag and then clearing the flag to 0, or by clearing the RIE bit to 0.</p>
5	TE	0	R/W	<p>Transmit Enable</p> <p>When this bit is set to 1, transmission is enabled. Under this condition, serial transmission is started by writing transmit data to TDR, and clearing the TDRE flag in SSR to 0. Note that SMR should be set prior to setting the TE bit to 1 in order to designate the transmission format.</p> <p>If transmission is halted by clearing this bit to 0, the TDRE flag in SSR is fixed 1.</p>
4	RE	0	R/W	<p>Receive Enable</p> <p>When this bit is set to 1, reception is enabled. Under this condition, serial reception is started by detecting the start bit in asynchronous mode or the synchronous clock input in clocked synchronous mode. Note that SMR should be set prior to setting the RE bit to 1 in order to designate the reception format.</p> <p>Even if reception is halted by clearing this bit to 0, the RDRF, FER, PER, and ORER flags are not affected and the previous value is retained.</p>

Bit	Bit Name	Initial Value	R/W	Description
3	MPIE	0	R/W	<p>Multiprocessor Interrupt Enable (valid only when the MP bit in SMR is 1 in asynchronous mode)</p> <p>When this bit is set to 1, receive data in which the multiprocessor bit is 0 is skipped, and setting of the RDRF, FER, and ORER status flags in SSR is disabled. On receiving data in which the multiprocessor bit is 1, this bit is automatically cleared and normal reception is resumed. For details, see section 13.5, Multiprocessor Communication Function.</p> <p>When receive data including MPB = 0 in SSR is being received, transfer of the received data from RSR to RDR, detection of reception errors, and the settings of RDRF, FER, and ORER flags in SSR are not performed. When receive data including MPB = 1 is received, the MPB bit in SSR is set to 1, the MPIE bit is automatically cleared to 0, and RXI and ERI interrupt requests (in the case where the TIE and RIE bits in SCR are set to 1) and setting of the FER and ORER flags are enabled.</p>
2	TEIE	0	R/W	<p>Transmit End Interrupt Enable</p> <p>When this bit is set to 1, a TEI interrupt request is enabled. A TEI interrupt request can be cancelled by reading 1 from the TDRE flag and then clearing the flag to 0 in order to clear the TEND flag to 0, or by clearing the TEIE bit to 0.</p>
1	CKE1	0	R/W	Clock Enable 1, 0
0	CKE0	0	R/W	<p>These bits select the clock source and SCK pin function.</p> <ul style="list-style-type: none"> • Asynchronous mode <ul style="list-style-type: none"> 00: On-chip baud rate generator (SCK pin functions as I/O port.) 01: On-chip baud rate generator (Outputs a clock with the same frequency as the bit rate from the SCK pin.) 1X: External clock (Inputs a clock with a frequency 16 times the bit rate from the SCK pin.) • Clocked synchronous mode <ul style="list-style-type: none"> 0X: Internal clock (SCK pin functions as clock output.) 1X: External clock (SCK pin functions as clock input.)

Note: X: Don't care

Bit Functions in Smart Card Interface Mode (When SMIF in SCMR = 1):

Bit	Bit Name	Initial Value	R/W	Description
7	TIE	0	R/W	<p>Transmit Interrupt Enable</p> <p>When this bit is set to 1, a TXI interrupt request is enabled.</p> <p>A TXI interrupt request can be cancelled by reading 1 from the TDRE flag and then clearing the flag to 0, or by clearing the TIE bit to 0.</p>
6	RIE	0	R/W	<p>Receive Interrupt Enable</p> <p>When this bit is set to 1, RXI and ERI interrupt requests are enabled.</p> <p>RXI and ERI interrupt requests can be cancelled by reading 1 from the RDRF, FER, PER, or ORER flag and then clearing the flag to 0, or by clearing the RIE bit to 0.</p>
5	TE	0	R/W	<p>Transmit Enable</p> <p>When this bit is set to 1, transmission is enabled. Under this condition, serial transmission is started by writing transmit data to TDR, and clearing the TDRE flag in SSR to 0. Note that SMR should be set prior to setting the TE bit to 1 in order to designate the transmission format.</p> <p>If transmission is halted by clearing this bit to 0, the TDRE flag in SSR is fixed 1.</p>
4	RE	0	R/W	<p>Receive Enable</p> <p>When this bit is set to 1, reception is enabled. Under this condition, serial reception is started by detecting the start bit in asynchronous mode or the synchronous clock input in clocked synchronous mode. Note that SMR should be set prior to setting the RE bit to 1 in order to designate the reception format.</p> <p>Even if reception is halted by clearing this bit to 0, the RDRF, FER, PER, and ORER flags are not affected and the previous value is retained.</p>
3	MPIE	0	R/W	<p>Multiprocessor Interrupt Enable (valid only when the MP bit in SMR is 1 in asynchronous mode)</p> <p>Write 0 to this bit in smart card interface mode.</p>
2	TEIE	0	R/W	<p>Transmit End Interrupt Enable</p> <p>Write 0 to this bit in smart card interface mode.</p>

Bit	Bit Name	Initial Value	R/W	Description
1	CKE1	0	R/W	Clock Enable 1, 0
0	CKE0	0	R/W	<p>These bits control the clock output from the SCK pin. In GSM mode, clock output can be dynamically switched. For details, see section 13.7.8, Clock Output Control.</p> <ul style="list-style-type: none"> When GM in SMR = 0 <ul style="list-style-type: none"> 00: Output disabled (SCK pin functions as I/O port.) 01: Clock output 1X: Reserved When GM in SMR = 1 <ul style="list-style-type: none"> 00: Output fixed low 01: Clock output 10: Output fixed high 11: Clock output

13.3.7 Serial Status Register (SSR)

SSR is a register containing status flags of the SCI and multiprocessor bits for transfer. TDRE, RDRF, ORER, PER, and FER can only be cleared. Some bits in SSR have different functions in normal mode and smart card interface mode.

- When SMIF in SCMR = 0

Bit	7	6	5	4	3	2	1	0
Bit Name	TDRE	RDRF	ORER	FER	PER	TEND	MPB	MPBT
Initial Value	1	0	0	0	0	1	0	0
R/W	R/(W)*	R/(W)*	R/(W)*	R/(W)*	R/(W)*	R	R	R/W

Note: * Only 0 can be written, to clear the flag.

- When SMIF in SCMR = 1

Bit	7	6	5	4	3	2	1	0
Bit Name	TDRE	RDRF	ORER	ERS	PER	TEND	MPB	MPBT
Initial Value	1	0	0	0	0	1	0	0
R/W	R/(W)*	R/(W)*	R/(W)*	R/(W)*	R/(W)*	R	R	R/W

Note: * Only 0 can be written, to clear the flag.

Bit Functions in Normal Serial Communication Interface Mode (When SMIF in SCMR = 0):

Bit	Bit Name	Initial Value	R/W	Description
7	TDRE	1	R/(W)*	<p>Transmit Data Register Empty</p> <p>Indicates whether TDR contains transmit data.</p> <p>[Setting conditions]</p> <ul style="list-style-type: none"> • When the TE bit in SCR is 0 • When data is transferred from TDR to TSR <p>[Clearing conditions]</p> <ul style="list-style-type: none"> • When 0 is written to TDRE after reading TDRE = 1 (When the CPU is used to clear this flag by writing 0 while the corresponding interrupt is enabled, be sure to read the flag after writing 0 to it.) • When a TXI interrupt request is issued allowing DTC or DMAC to write data to TDR
6	RDRF	0	R/(W)*	<p>Receive Data Register Full</p> <p>Indicates whether receive data is stored in RDR.</p> <p>[Setting condition]</p> <ul style="list-style-type: none"> • When serial reception ends normally and receive data is transferred from RSR to RDR <p>[Clearing conditions]</p> <ul style="list-style-type: none"> • When 0 is written to RDRF after reading RDRF = 1 (When the CPU is used to clear this flag by writing 0 while the corresponding interrupt is enabled, be sure to read the flag after writing 0 to it.) • When an RXI interrupt request is issued allowing DTC or DMAC to read data from RDR <p>The RDRF flag is not affected and retains its previous value when the RE bit in SCR is cleared to 0.</p> <p>Note that when the next serial reception is completed while the RDRF flag is being set to 1, an overrun error occurs and the received data is lost.</p>

Bit	Bit Name	Initial Value	R/W	Description
5	ORER	0	R/(W)*	<p>Overrun Error</p> <p>Indicates that an overrun error has occurred during reception and the reception ends abnormally.</p> <p>[Setting condition]</p> <ul style="list-style-type: none"> When the next serial reception is completed while RDRF = 1 <p>In RDR, receive data prior to an overrun error occurrence is retained, but data received after the overrun error occurrence is lost. When the ORER flag is set to 1, subsequent serial reception cannot be performed. Note that, in clocked synchronous mode, serial transmission also cannot continue.</p> <p>[Clearing condition]</p> <ul style="list-style-type: none"> When 0 is written to ORER after reading ORER = 1 (When the CPU is used to clear this flag by writing 0 while the corresponding interrupt is enabled, be sure to read the flag after writing 0 to it.) <p>Even when the RE bit in SCR is cleared, the ORER flag is not affected and retains its previous value.</p>
4	FER	0	R/(W)*	<p>Framing Error</p> <p>Indicates that a framing error has occurred during reception in asynchronous mode and the reception ends abnormally.</p> <p>[Setting condition]</p> <ul style="list-style-type: none"> When the stop bit is 0 <p>In 2-stop-bit mode, only the first stop bit is checked whether it is 1 but the second stop bit is not checked. Note that receive data when the framing error occurs is transferred to RDR, however, the RDRF flag is not set. In addition, when the FER flag is being set to 1, the subsequent serial reception cannot be performed. In clocked synchronous mode, serial transmission also cannot continue.</p> <p>[Clearing condition]</p> <ul style="list-style-type: none"> When 0 is written to FER after reading FER = 1 (When the CPU is used to clear this flag by writing 0 while the corresponding interrupt is enabled, be sure to read the flag after writing 0 to it.) <p>Even when the RE bit in SCR is cleared, the FER flag is not affected and retains its previous value.</p>

Bit	Bit Name	Initial Value	R/W	Description
3	PER	0	R/(W)*	<p>Parity Error</p> <p>Indicates that a parity error has occurred during reception in asynchronous mode and the reception ends abnormally.</p> <p>[Setting condition]</p> <ul style="list-style-type: none"> When a parity error is detected during reception Receive data when the parity error occurs is transferred to RDR, however, the RDRF flag is not set. Note that when the PER flag is being set to 1, the subsequent serial reception cannot be performed. In clocked synchronous mode, serial transmission also cannot continue. <p>[Clearing condition]</p> <ul style="list-style-type: none"> When 0 is written to PER after reading PER = 1 (When the CPU is used to clear this flag by writing 0 while the corresponding interrupt is enabled, be sure to read the flag after writing 0 to it.) Even when the RE bit in SCR is cleared, the PER bit is not affected and retains its previous value.
2	TEND	1	R	<p>Transmit End</p> <p>[Setting conditions]</p> <ul style="list-style-type: none"> When the TE bit in SCR is 0 When TDRE = 1 at transmission of the last bit of a transmit character <p>[Clearing conditions]</p> <ul style="list-style-type: none"> When 0 is written to TDRE after reading TDRE = 1 When a TXI interrupt request is issued allowing DMAC to write data to TDR
1	MPB	0	R	<p>Multiprocessor Bit</p> <p>Stores the multiprocessor bit value in the receive frame. When the RE bit in SCR is cleared to 0 its previous state is retained.</p>
0	MPBT	0	R/W	<p>Multiprocessor Bit Transfer</p> <p>Sets the multiprocessor bit value to be added to the transmit frame.</p>

Note: * Only 0 can be written, to clear the flag.

Bit Functions in Smart Card Interface Mode (When SMIF in SCMR = 1):

Bit	Bit Name	Initial Value	R/W	Description
7	TDRE	1	R/(W)*	<p>Transmit Data Register Empty</p> <p>Indicates whether TDR contains transmit data.</p> <p>[Setting conditions]</p> <ul style="list-style-type: none"> • When the TE bit in SCR is 0 • When data is transferred from TDR to TSR <p>[Clearing conditions]</p> <ul style="list-style-type: none"> • When 0 is written to TDRE after reading TDRE = 1 (When the CPU is used to clear this flag by writing 0 while the corresponding interrupt is enabled, be sure to read the flag after writing 0 to it.) • When a TXI interrupt request is issued allowing DTC or DMAC to write data to TDR
6	RDRF	0	R/(W)*	<p>Receive Data Register Full</p> <p>Indicates whether receive data is stored in RDR.</p> <p>[Setting condition]</p> <ul style="list-style-type: none"> • When serial reception ends normally and receive data is transferred from RSR to RDR <p>[Clearing conditions]</p> <ul style="list-style-type: none"> • When 0 is written to RDRF after reading RDRF = 1 (When the CPU is used to clear this flag by writing 0 while the corresponding interrupt is enabled, be sure to read the flag after writing 0 to it.) • When an RXI interrupt request is issued allowing DTC or DMAC to read data from RDR <p>The RDRF flag is not affected and retains its previous value even when the RE bit in SCR is cleared to 0.</p> <p>Note that when the next reception is completed while the RDRF flag is being set to 1, an overrun error occurs and the received data is lost.</p>

Bit	Bit Name	Initial Value	R/W	Description
5	ORER	0	R/(W)*	<p>Overrun Error</p> <p>Indicates that an overrun error has occurred during reception and the reception ends abnormally.</p> <p>[Setting condition]</p> <ul style="list-style-type: none"> When the next serial reception is completed while RDRF = 1 <p>In RDR, the receive data prior to an overrun error occurrence is retained, but data received following the overrun error occurrence is lost. When the ORER flag is set to 1, subsequent serial reception cannot be performed. Note that, in clocked synchronous mode, serial transmission also cannot continue.</p> <p>[Clearing condition]</p> <ul style="list-style-type: none"> When 0 is written to ORER after reading ORER = 1 (When the CPU is used to clear this flag by writing 0 while the corresponding interrupt is enabled, be sure to read the flag after writing 0 to it.) <p>Even when the RE bit in SCR is cleared, the ORER flag is not affected and retains its previous value.</p>
4	ERS	0	R/(W)*	<p>Error Signal Status</p> <p>[Setting condition]</p> <ul style="list-style-type: none"> When a low error signal is sampled <p>[Clearing condition]</p> <ul style="list-style-type: none"> When 0 is written to ERS after reading ERS = 1 (When the CPU is used to clear this flag by writing 0 while the corresponding interrupt is enabled, be sure to read the flag after writing 0 to it.)

Bit	Bit Name	Initial Value	R/W	Description
3	PER	0	R/(W)*	<p>Parity Error</p> <p>Indicates that a parity error has occurred during reception in asynchronous mode and the reception ends abnormally.</p> <p>[Setting condition]</p> <ul style="list-style-type: none"> When a parity error is detected during reception Receive data when the parity error occurs is transferred to RDR, however, the RDRF flag is not set. Note that when the PER flag is being set to 1, the subsequent serial reception cannot be performed. In clocked synchronous mode, serial transmission also cannot continue. <p>[Clearing condition]</p> <ul style="list-style-type: none"> When 0 is written to PER after reading PER = 1 (When the CPU is used to clear this flag by writing 0 while the corresponding interrupt is enabled, be sure to read the flag after writing 0 to it.) <p>Even when the RE bit in SCR is cleared, the PER flag is not affected and retains its previous value.</p>
2	TEND	1	R	<p>Transmit End</p> <p>This bit is set to 1 when no error signal is sent from the receiving side and the next transmit data is ready to be transferred to TDR.</p> <p>[Setting conditions]</p> <ul style="list-style-type: none"> When both the TE and ERS bits in SCR are 0 When ERS = 0 and TDRE = 1 after a specified time passed after completion of 1-byte data transfer. The set timing depends on the register setting as follows: When GM = 0 and BLK = 0, 2.5 etu after transmission start When GM = 0 and BLK = 1, 1.5 etu after transmission start When GM = 1 and BLK = 0, 1.0 etu after transmission start When GM = 1 and BLK = 1, 1.0 etu after transmission start <p>[Clearing conditions]</p> <ul style="list-style-type: none"> When 0 is written to TEND after reading TEND = 1 When a TXI interrupt request is issued allowing DTC or DMAC to write the next data to TDR

Bit	Bit Name	Initial Value	R/W	Description
1	MPB	0	R	Multiprocessor Bit Not used in smart card interface mode.
0	MPBT	0	R/W	Multiprocessor Bit Transfer Write 0 to this bit in smart card interface mode.

Note: * Only 0 can be written, to clear the flag.

13.3.8 Smart Card Mode Register (SCMR)

SCMR selects smart card interface mode and its format.

Bit	7	6	5	4	3	2	1	0
Bit Name	—	—	—	—	SDIR	SINV	—	SMIF
Initial Value	1	1	1	1	0	0	1	0
R/W	R	R	R	R	R/W	R/W	R	R/W

Bit	Bit Name	Initial Value	R/W	Description
7 to 4	—	All 1	R	Reserved These are read-only bits and cannot be modified.
3	SDIR	0	R/W	Smart Card Data Transfer Direction Selects the serial/parallel conversion format. 0: Transfer with LSB-first 1: Transfer with MSB-first This bit is valid only when the 8-bit data format is used for transmission/reception; when the 7-bit data format is used, data is always transmitted/received with LSB-first.
2	SINV	0	R/W	Smart Card Data Invert Inverts the transmit/receive data logic level. This bit does not affect the logic level of the parity bit. To invert the parity bit, invert the O/E bit in SMR. 0: TDR contents are transmitted as they are. Receive data is stored as it is in RDR. 1: TDR contents are inverted before being transmitted. Receive data is stored in inverted form in RDR.

Bit	Bit Name	Initial Value	R/W	Description
1	—	1	R	Reserved This is a read-only bit and cannot be modified.
0	SMIF	0	R/W	Smart Card Interface Mode Select When this bit is set to 1, smart card interface mode is selected. 0: Normal asynchronous or clocked synchronous mode 1: Smart card interface mode

13.3.9 Bit Rate Register (BRR)

BRR is an 8-bit register that adjusts the bit rate. As the SCI performs baud rate generator control independently for each channel, different bit rates can be set for each channel. Table 13.2 shows the relationships between the N setting in BRR and bit rate B for normal asynchronous mode and clocked synchronous mode, and smart card interface mode. The initial value of BRR is H'FF, and it can be read from or written to by the CPU at all times.

Table 13.2 Relationships between N Setting in BRR and Bit Rate B

Mode	Bit Rate	Error
Asynchronous mode	$N = \frac{P\phi \times 10^6}{64 \times 2^{2n-1} \times B} - 1$	$\text{Error (\%)} = \left\{ \frac{P\phi \times 10^6}{B \times 64 \times 2^{2n-1} \times (N+1)} - 1 \right\} \times 100$
Clocked synchronous mode	$N = \frac{P\phi \times 10^6}{8 \times 2^{2n-1} \times B} - 1$	
Smart card interface mode	$N = \frac{P\phi \times 10^6}{S \times 2^{2n+1} \times B} - 1$	$\text{Error (\%)} = \left\{ \frac{P\phi \times 10^6}{B \times S \times 2^{2n+1} \times (N+1)} - 1 \right\} \times 100$

[Legend]

B: Bit rate (bit/s)

N: BRR setting for baud rate generator ($0 \leq N \leq 255$)

P ϕ : Operating frequency (MHz)

n and S: Determined by the SMR settings shown in the following table.

SMR Setting			SMR Setting		
CKS1	CKS0	n	BCP1	BCP0	S
0	0	0	0	0	32
0	1	1	0	1	64
1	0	2	1	0	372
1	1	3	1	1	256

Table 13.3 shows sample N settings in BRR in normal asynchronous mode. Table 13.4 shows the maximum bit rate settable for each operating frequency. Tables 13.6 and 13.8 show sample N settings in BRR in clocked synchronous mode and smart card interface mode, respectively. In smart card interface mode, the number of basic clock cycles S in a 1-bit data transfer time can be selected. For details, see section 13.7.4, Receive Data Sampling Timing and Reception Margin. Tables 13.5 and 13.7 show the maximum bit rates with external clock input.

Table 13.3 Examples of BRR Settings for Various Bit Rates (Asynchronous Mode) (1)

Bit Rate (bit/s)	Operating Frequency P ϕ (MHz)											
	8			9.8304			10			12		
	n	N	Error (%)	n	N	Error (%)	n	N	Error (%)	n	N	Error (%)
110	2	141	0.03	2	174	-0.26	2	177	-0.25	2	212	0.03
150	2	103	0.16	2	127	0.00	2	129	0.16	2	155	0.16
300	1	207	0.16	1	255	0.00	2	64	0.16	2	77	0.16
600	1	103	0.16	1	127	0.00	1	129	0.16	1	155	0.16
1200	0	207	0.16	0	255	0.00	1	64	0.16	1	77	0.16
2400	0	103	0.16	0	127	0.00	0	129	0.16	0	155	0.16
4800	0	51	0.16	0	63	0.00	0	64	0.16	0	77	0.16
9600	0	25	0.16	0	31	0.00	0	32	-1.36	0	38	0.16
19200	0	12	0.16	0	15	0.00	0	15	1.73	0	19	-2.34
31250	0	7	0.00	0	9	-1.70	0	9	0.00	0	11	0.00
38400	—	—	—	0	7	0.00	0	7	1.73	0	9	-2.34

Bit Rate (bit/s)	Operating Frequency P ϕ (MHz)											
	12.288			14			14.7456			16		
	n	N	Error (%)	n	N	Error (%)	n	N	Error (%)	n	N	Error (%)
110	2	217	0.08	2	248	-0.17	3	64	0.70	3	70	0.03
150	2	159	0.00	2	181	0.16	2	191	0.00	2	207	0.16
300	2	79	0.00	2	90	0.16	2	95	0.00	2	103	0.16
600	1	159	0.00	1	181	0.16	1	191	0.00	1	207	0.16
1200	1	79	0.00	1	90	0.16	1	95	0.00	1	103	0.16
2400	0	159	0.00	0	181	0.16	0	191	0.00	0	207	0.16
4800	0	79	0.00	0	90	0.16	0	95	0.00	0	103	0.16
9600	0	39	0.00	0	45	-0.93	0	47	0.00	0	51	0.16
19200	0	19	0.00	0	22	-0.93	0	23	0.00	0	25	0.16
31250	0	11	2.40	0	13	0.00	0	14	-1.70	0	15	0.00
38400	0	9	0.00	—	—	—	0	11	0.00	0	12	0.16

Table 13.3 Examples of BRR Settings for Various Bit Rates (Asynchronous Mode) (2)

Bit Rate (bit/s)	Operating Frequency P ϕ (MHz)											
	17.2032			18			19.6608			20		
	n	N	Error (%)	n	N	Error (%)	n	N	Error (%)	n	N	Error (%)
110	3	75	0.48	3	79	-0.12	3	86	0.31	3	88	-0.25
150	2	223	0.00	2	233	0.16	2	255	0.00	3	64	0.16
300	2	111	0.00	2	116	0.16	2	127	0.00	2	129	0.16
600	1	223	0.00	1	233	0.16	1	255	0.00	2	64	0.16
1200	1	111	0.00	1	116	0.16	1	127	0.00	1	129	0.16
2400	0	223	0.00	0	233	0.16	0	255	0.00	1	64	0.16
4800	0	111	0.00	0	116	0.16	0	127	0.00	0	129	0.16
9600	0	55	0.00	0	58	-0.69	0	63	0.00	0	64	0.16
19200	0	27	0.00	0	28	1.02	0	31	0.00	0	32	-1.36
31250	0	16	1.20	0	17	0.00	0	19	-1.70	0	19	0.00
38400	0	13	0.00	0	14	-2.34	0	15	0.00	0	15	1.73

Bit Rate (bit/s)	Operating Frequency P ϕ (MHz)											
	25			30			33			35		
	n	N	Error (%)	n	N	Error (%)	n	N	Error (%)	n	N	Error (%)
110	3	110	-0.02	3	132	0.13	3	145	0.33	3	154	0.23
150	3	80	-0.47	3	97	-0.35	3	106	0.39	3	113	-0.06
300	2	162	0.15	2	194	0.16	2	214	-0.07	2	227	0.00
600	2	80	-0.47	2	97	-0.35	2	106	0.39	2	113	0.00
1200	1	162	0.15	1	194	0.16	1	214	-0.07	1	227	0.00
2400	1	80	-0.47	1	97	-0.35	1	106	0.39	1	113	0.00
4800	0	162	0.15	0	194	0.16	0	214	-0.07	0	227	0.00
9600	0	80	-0.47	0	97	-0.35	0	106	0.39	0	113	0.00
19200	0	40	-0.76	0	48	-0.35	0	53	-0.54	0	56	0.00
31250	0	24	0.00	0	29	0	0	32	0	0	34	0.00
38400	0	19	1.73	0	23	1.73	0	26	-0.54	0	28	-1.78

Table 13.4 Maximum Bit Rate for Each Operating Frequency (Asynchronous Mode)

P ϕ (MHz)	Maximum Bit Rate (bit/s)	n	N	P ϕ (MHz)	Maximum Bit Rate (bit/s)	n	N
8	250000	0	0	17.2032	537600	0	0
9.8304	307200	0	0	18	562500	0	0
10	312500	0	0	19.6608	614400	0	0
12	375000	0	0	20	625000	0	0
12.288	384000	0	0	25	781250	0	0
14	437500	0	0	30	937500	0	0
14.7456	460800	0	0	33	1031250	0	0
16	500000	0	0	35	1093750	0	0

Table 13.5 Maximum Bit Rate with External Clock Input (Asynchronous Mode)

$P\phi$ (MHz)	External Input Clock (MHz)	Maximum Bit Rate (bit/s)	$P\phi$ (MHz)	External Input Clock (MHz)	Maximum Bit Rate (bit/s)
8	2.0000	125000	17.2032	4.3008	268800
9.8304	2.4576	153600	18	4.5000	281250
10	2.5000	156250	19.6608	4.9152	307200
12	3.0000	187500	20	5.0000	312500
12.288	3.0720	192000	25	6.2500	390625
14	3.5000	218750	30	7.5000	468750
14.7456	3.6864	230400	33	8.2500	515625
16	4.0000	250000	35	8.7500	546875

Table 13.6 BRR Settings for Various Bit Rates (Clocked Synchronous Mode)

Bit Rate (bit/s)	Operating Frequency $P\phi$ (MHz)							
	8		10		16		20	
	n	N	n	N	n	N	n	N
110								
250	3	124	—	—	3	249		
500	2	249	—	—	3	124	—	—
1k	2	124	—	—	2	249	—	—
2.5k	1	199	1	249	2	99	2	124
5k	1	99	1	124	1	199	1	249
10k	0	199	0	249	1	99	1	124
25k	0	79	0	99	0	159	0	199
50k	0	39	0	49	0	79	0	99
100k	0	19	0	24	0	39	0	49
250k	0	7	0	9	0	15	0	19
500k	0	3	0	4	0	7	0	9
1M	0	1			0	3	0	4
2.5M			0	0*			0	1
5M							0	0*

Bit Rate (bit/s)	Operating Frequency P ϕ (MHz)							
	25		30		33		35	
	n	N	n	N	n	N	n	N
110								
250								
500			3	233				
1k	3	97	3	116	3	128	3	136
2.5k	2	155	2	187	2	205	2	218
5k	2	77	2	93	2	102	2	108
10k	1	155	1	187	1	205	1	218
25k	0	249	1	74	1	82	1	87
50k	0	124	0	149	0	164	0	174
100k	0	62	0	74	0	82	0	87
250k	0	24	0	29	0	32	0	34
500k	—	—	0	14	—	—	—	—
1M	—	—	—	—	—	—	—	—
2.5M	—	—	0	2	—	—	—	—
5M	—	—	—	—	—	—	—	—

[Legend]

Space : Setting prohibited.

— : Can be set, but there will be error.

* : Continuous transmission or reception is not possible.

Table 13.7 Maximum Bit Rate with External Clock Input (Clocked Synchronous Mode)

P ϕ (MHz)	External Input Clock (MHz)	Maximum Bit Rate (bit/s)	P ϕ (MHz)	External Input Clock (MHz)	Maximum Bit Rate (bit/s)
8	1.3333	1333333.3	20	3.3333	3333333.3
10	1.6667	1666666.7	25	4.1667	4166666.7
12	2.0000	2000000.0	30	5.0000	5000000.0
14	2.3333	2333333.3	33	5.5000	5500000.0
16	2.6667	2666666.7	35	5.8336	5833625.0
18	3.0000	3000000.0			

Table 13.8 BRR Settings for Various Bit Rates (Smart Card Interface Mode, n = 0, S = 372)

Bit Rate (bit/s)	Operating Frequency P ϕ (MHz)											
	7.1424			10.00			10.7136			13.00		
	n	N	Error (%)	n	N	Error (%)	n	N	Error (%)	n	N	Error (%)
9600	0	0	0.00	0	1	30	0	1	25	0	1	8.99

Bit Rate (bit/s)	Operating Frequency P ϕ (MHz)											
	14.2848			16.00			18.00			20.00		
	n	N	Error (%)	n	N	Error (%)	n	N	Error (%)	n	N	Error (%)
9600	0	1	0.00	0	1	12.01	0	2	15.99	0	2	6.60

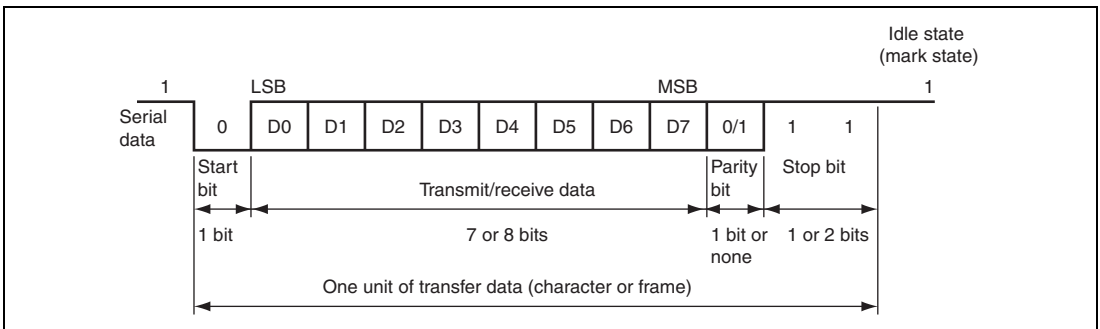
Bit Rate (bit/s)	Operating Frequency P ϕ (MHz)											
	25.00			30.00			33.00			35.00		
	n	N	Error (%)	n	N	Error (%)	n	N	Error (%)	n	N	Error (%)
9600	0	3	12.49	0	3	5.01	0	4	7.59	0	4	1.99

Table 13.9 Maximum Bit Rate for Each Operating Frequency (Smart Card Interface Mode, S = 372)

P ϕ (MHz)	Maximum Bit Rate (bit/s)	n	N	P ϕ (MHz)	Maximum Bit Rate (bit/s)	n	N
7.1424	9600	0	0	18.00	24194	0	0
10.00	13441	0	0	20.00	26882	0	0
10.7136	14400	0	0	25.00	33602	0	0
13.00	17473	0	0	30.00	40323	0	0
14.2848	19200	0	0	33.00	44355	0	0
16.00	21505	0	0	35.00	47043	0	0

13.4 Operation in Asynchronous Mode

Figure 13.2 shows the general format for asynchronous serial communication. One frame consists of a start bit (low level), followed by transmit/receive data, a parity bit, and finally stop bits (high level). In asynchronous serial communication, the communication line is usually held in the mark state (high level). The SCI monitors the communication line, and when it goes to the space state (low level), recognizes a start bit and starts serial communication. Inside the SCI, the transmitter and receiver are independent units, enabling full-duplex communication. Both the transmitter and the receiver also have a double-buffered structure, so that data can be read or written during transmission or reception, enabling continuous data transmission and reception.



**Figure 13.2 Data Format in Asynchronous Communication
(Example with 8-Bit Data, Parity, Two Stop Bits)**

13.4.1 Data Transfer Format

Table 13.10 shows the data transfer formats that can be used in asynchronous mode. Any of 12 transfer formats can be selected according to the SMR setting. For details on the multiprocessor bit, see section 13.5, Multiprocessor Communication Function.

Table 13.10 Serial Transfer Formats (Asynchronous Mode)

SMR Settings				Serial Transmit/Receive Format and Frame Length												
CHR	PE	MP	STOP	1	2	3	4	5	6	7	8	9	10	11	12	
0	0	0	0	S	8-bit data								STOP			
0	0	0	1	S	8-bit data								STOP	STOP		
0	1	0	0	S	8-bit data								P	STOP		
0	1	0	1	S	8-bit data								P	STOP	STOP	
1	0	0	0	S	7-bit data							STOP				
1	0	0	1	S	7-bit data							STOP	STOP			
1	1	0	0	S	7-bit data							P	STOP			
1	1	0	1	S	7-bit data							P	STOP	STOP		
0	—	1	0	S	8-bit data								MPB	STOP		
0	—	1	1	S	8-bit data								MPB	STOP	STOP	
1	—	1	0	S	7-bit data							MPB	STOP			
1	—	1	1	S	7-bit data							MPB	STOP	STOP		

[Legend]

S: Start bit

STOP: Stop bit

P: Parity bit

MPB: Multiprocessor bit

13.4.2 Receive Data Sampling Timing and Reception Margin in Asynchronous Mode

In asynchronous mode, the SCI operates on a basic clock with a frequency of 16 times the bit rate. In reception, the SCI samples the falling edge of the start bit using the basic clock, and performs internal synchronization. Since receive data is sampled at the rising edge of the 8th pulse of the basic clock, data is latched at the middle of each bit, as shown in figure 13.3. Thus the reception margin in asynchronous mode is determined by formula (1) below.

$$M = \left| \left(0.5 - \frac{1}{2N} \right) - (L - 0.5) F - \frac{|D - 0.5|}{N} (1 + F) \right| \times 100 \quad [\%] \quad \cdots \text{Formula (1)}$$

M: Reception margin

N: Ratio of bit rate to clock (N = 16)

D: Duty cycle of clock (D = 0.5 to 1.0)

L: Frame length (L = 9 to 12)

F: Absolute value of clock frequency deviation

Assuming values of F = 0 and D = 0.5 in formula (1), the reception margin is determined by the formula below.

$$M = \left(0.5 - \frac{1}{2 \times 16} \right) \times 100 \quad [\%] = 46.875\%$$

However, this is only the computed value, and a margin of 20% to 30% should be allowed in system design.

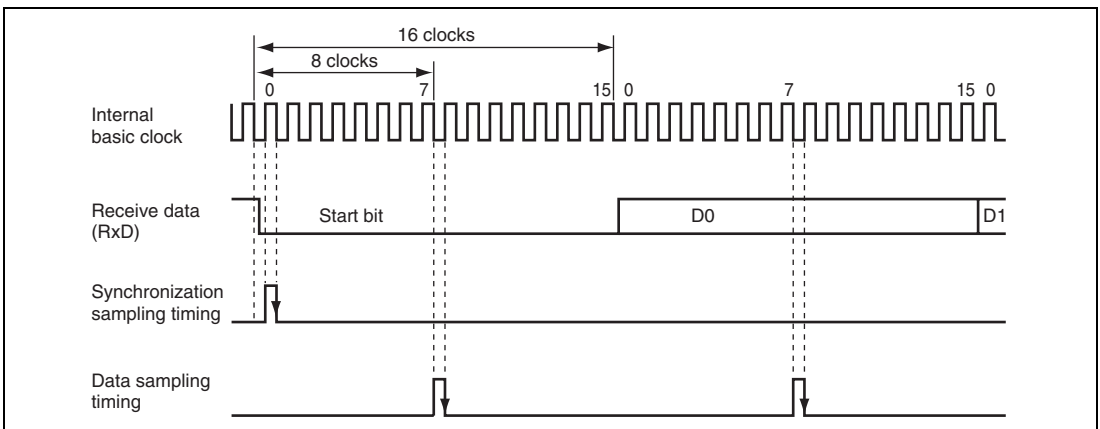
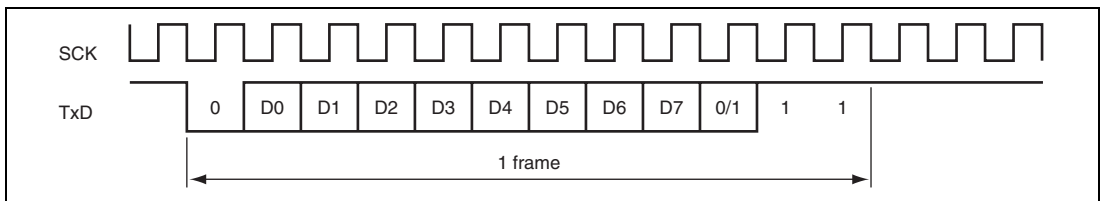


Figure 13.3 Receive Data Sampling Timing in Asynchronous Mode

13.4.3 Clock

Either an internal clock generated by the on-chip baud rate generator or an external clock input to the SCK pin can be selected as the SCI's transfer clock, according to the setting of the C/\bar{A} bit in SMR and the CKE1 and CKE0 bits in SCR. When an external clock is input to the SCK pin, the clock frequency should be 16 times the bit rate used.

When the SCI is operated on an internal clock, the clock can be output from the SCK pin. The frequency of the clock output in this case is equal to the bit rate, and the phase is such that the rising edge of the clock is in the middle of the transmit data, as shown in figure 13.4.



**Figure 13.4 Phase Relation between Output Clock and Transmit Data
(Asynchronous Mode)**

13.4.4 SCI Initialization (Asynchronous Mode)

Before transmitting and receiving data, first clear the TE and RE bits in SCR to 0, then initialize the SCI as described in a sample flowchart in figure 13.5. When the operating mode, transfer format, etc., is changed, the TE and RE bits must be cleared to 0 before making the change. When the TE bit is cleared to 0, the TDRE flag is set to 1. Note that clearing the RE bit to 0 does not initialize the RDRF, PER, FER, and ORER flags, or RDR. When the external clock is used in asynchronous mode, the clock must be supplied even during initialization.

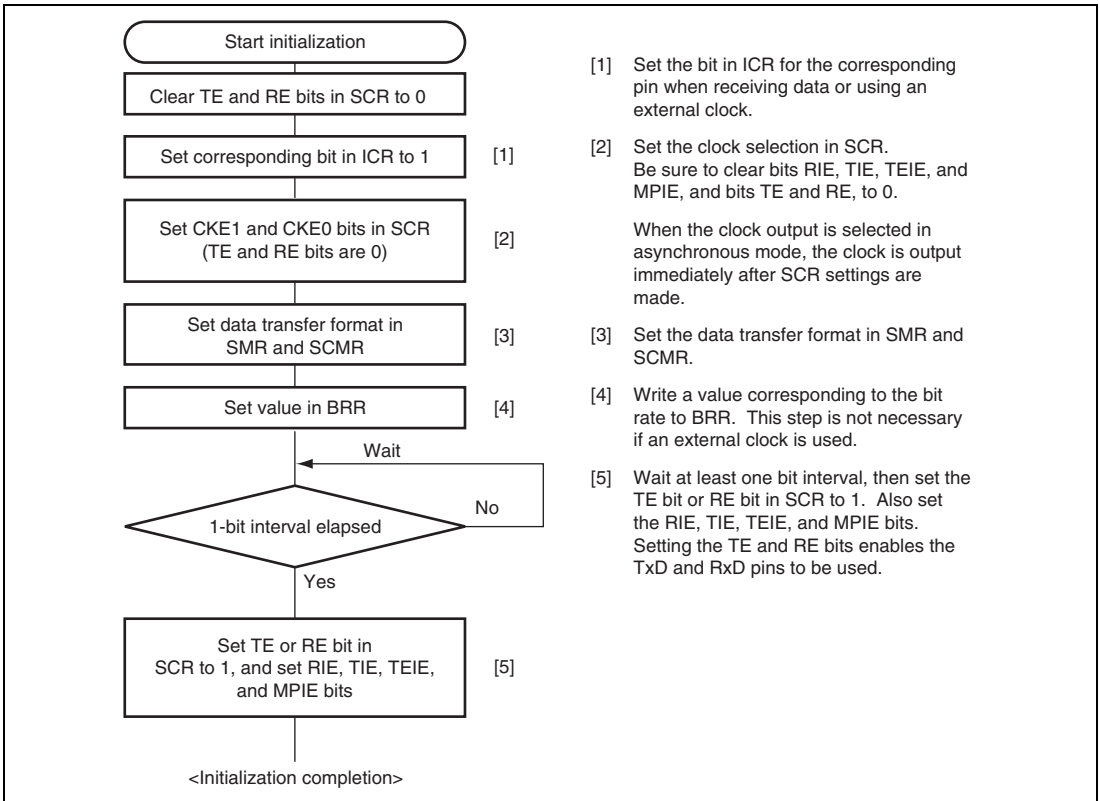


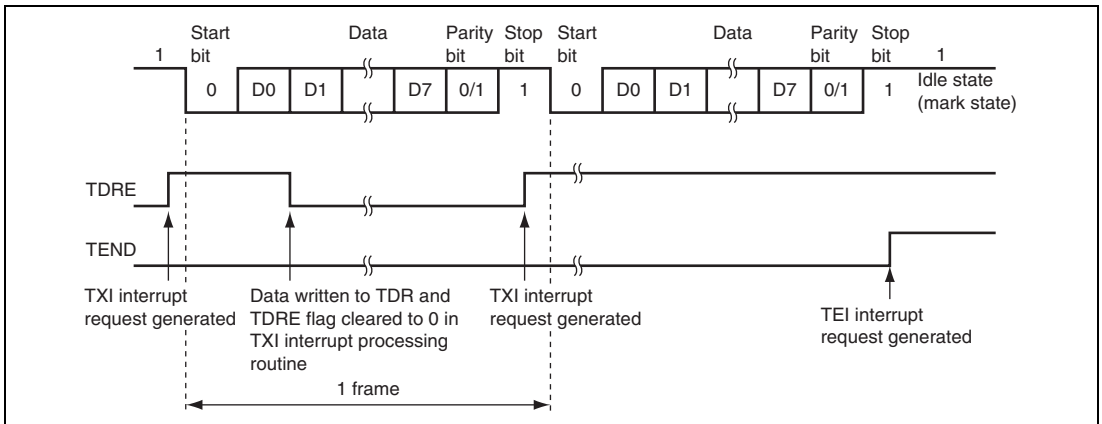
Figure 13.5 Sample SCI Initialization Flowchart

13.4.5 Serial Data Transmission (Asynchronous Mode)

Figure 13.6 shows an example of the operation for transmission in asynchronous mode. In transmission, the SCI operates as described below.

1. The SCI monitors the TDRE flag in SSR, and if it is cleared to 0, recognizes that data has been written to TDR, and transfers the data from TDR to TSR.
2. After transferring data from TDR to TSR, the SCI sets the TDRE flag to 1 and starts transmission. If the TIE bit in SCR is set to 1 at this time, a TXI interrupt request is generated. Because the TXI interrupt processing routine writes the next transmit data to TDR before transmission of the current transmit data has finished, continuous transmission can be enabled.
3. Data is sent from the TxD pin in the following order: start bit, transmit data, parity bit or multiprocessor bit (may be omitted depending on the format), and stop bit.
4. The SCI checks the TDRE flag at the timing for sending the stop bit.
5. If the TDRE flag is 0, the next transmit data is transferred from TDR to TSR, the stop bit is sent, and then serial transmission of the next frame is started.
6. If the TDRE flag is 1, the TEND flag in SSR is set to 1, the stop bit is sent, and then the mark state is entered in which 1 is output. If the TEIE bit in SCR is set to 1 at this time, a TEI interrupt request is generated.

Figure 13.7 shows a sample flowchart for transmission in asynchronous mode.



**Figure 13.6 Example of Operation for Transmission in Asynchronous Mode
(Example with 8-Bit Data, Parity, One Stop Bit)**

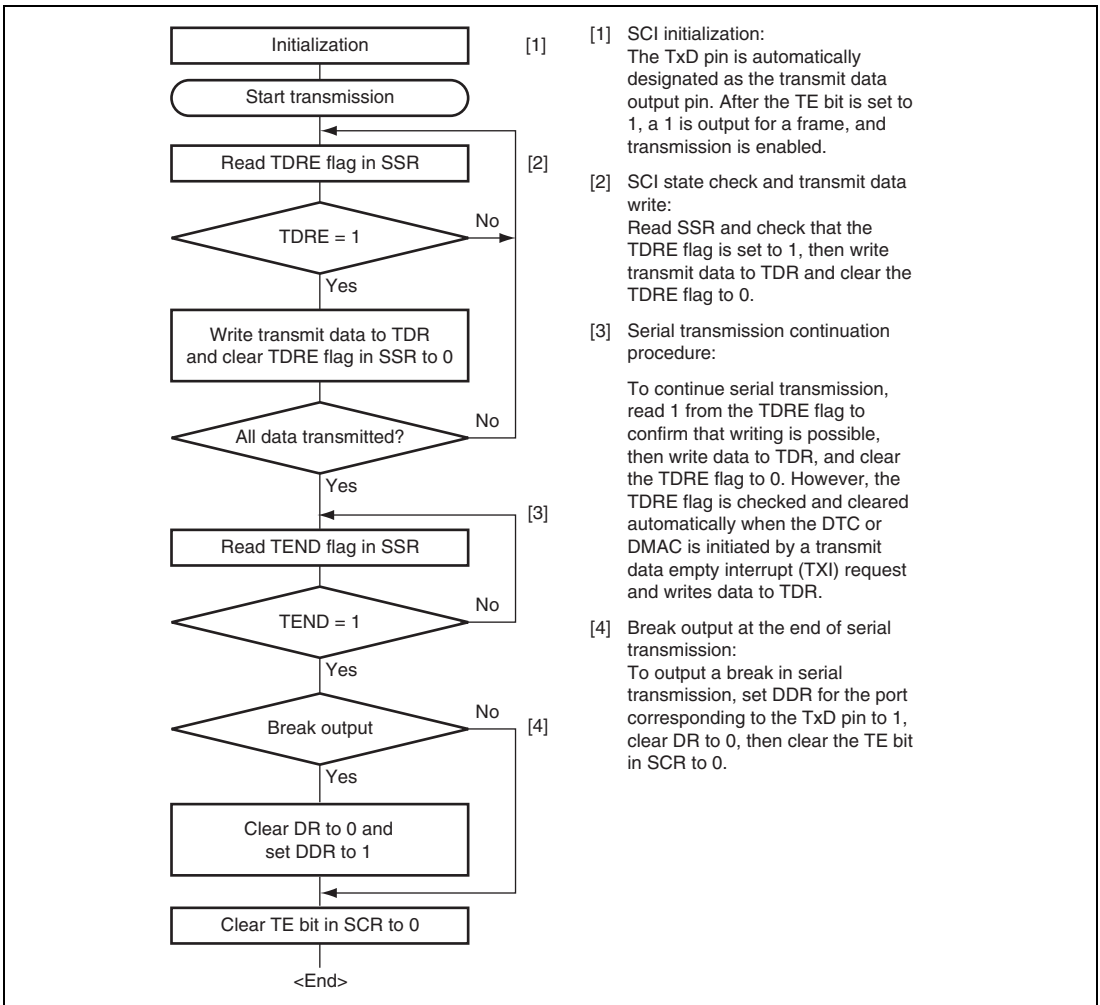


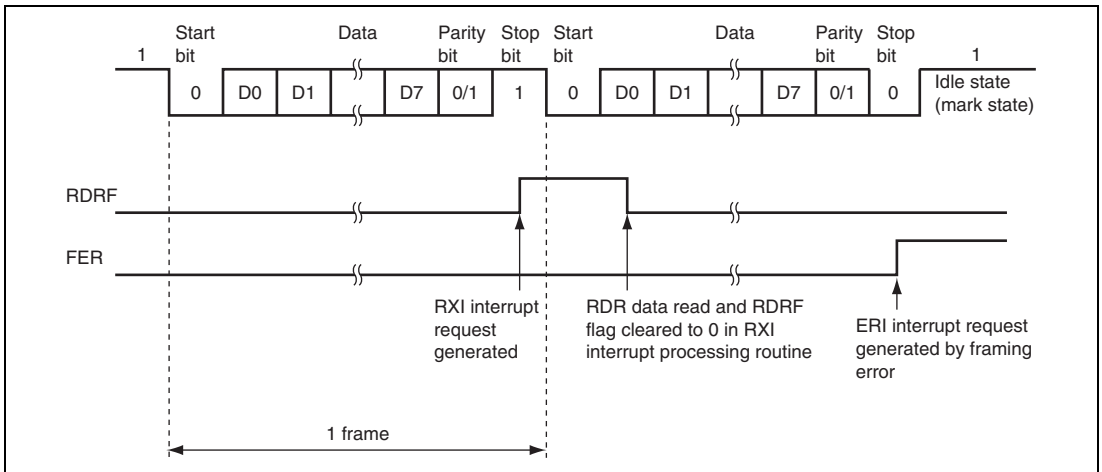
Figure 13.7 Sample Serial Transmission Flowchart

13.4.6 Serial Data Reception (Asynchronous Mode)

Figure 13.8 shows an example of the operation for reception in asynchronous mode. In serial reception, the SCI operates as described below.

1. The SCI monitors the communication line, and if a start bit is detected, performs internal synchronization, stores receive data in RSR, and checks the parity bit and stop bit.

2. If an overrun error (when reception of the next data is completed while the RDRF flag in SSR is still set to 1) occurs, the ORER bit in SSR is set to 1. If the RIE bit in SCR is set to 1 at this time, an ERI interrupt request is generated. Receive data is not transferred to RDR. The RDRF flag remains to be set to 1.
3. If a parity error is detected, the PER bit in SSR is set to 1 and receive data is transferred to RDR. If the RIE bit in SCR is set to 1 at this time, an ERI interrupt request is generated.
4. If a framing error (when the stop bit is 0) is detected, the FER bit in SSR is set to 1 and receive data is transferred to RDR. If the RIE bit in SCR is set to 1 at this time, an ERI interrupt request is generated.
5. If reception finishes successfully, the RDRF bit in SSR is set to 1, and receive data is transferred to RDR. If the RIE bit in SCR is set to 1 at this time, an RXI interrupt request is generated. Because the RXI interrupt processing routine reads the receive data transferred to RDR before reception of the next receive data has finished, continuous reception can be enabled.



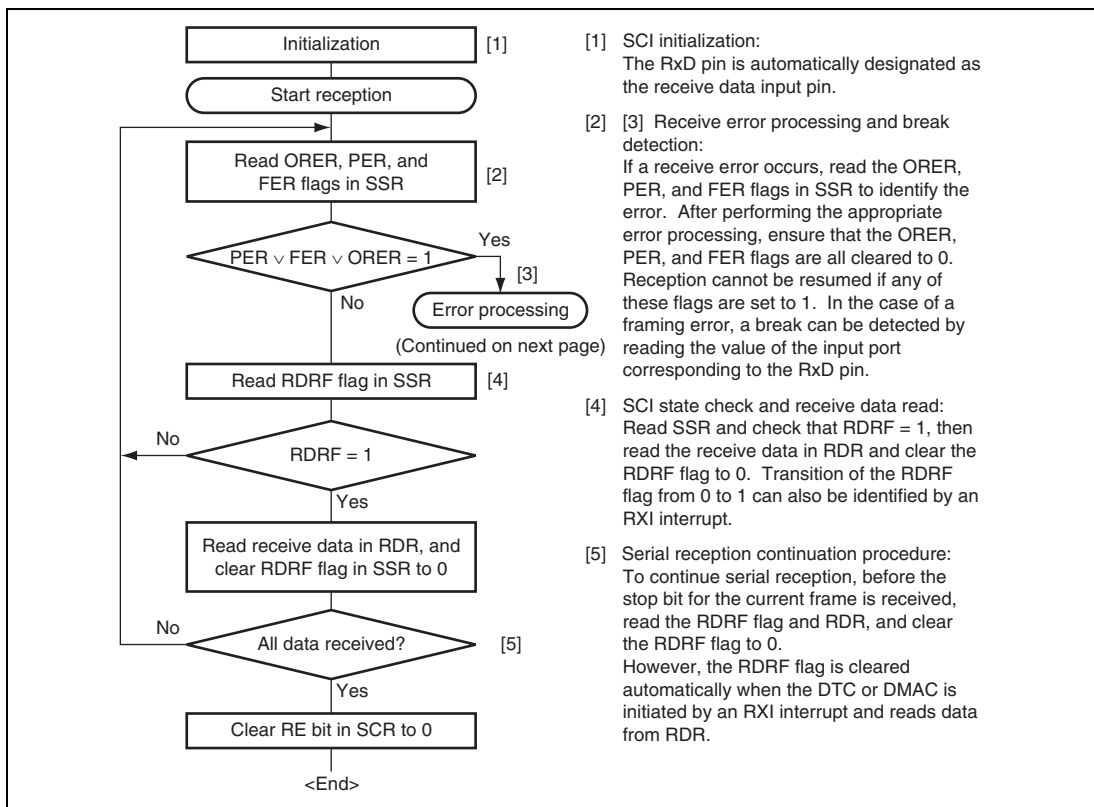
**Figure 13.8 Example of SCI Operation for Reception
(Example with 8-Bit Data, Parity, One Stop Bit)**

Table 13.11 shows the states of the SSR status flags and receive data handling when a receive error is detected. If a receive error is detected, the RDRF flag retains its state before receiving data. Reception cannot be resumed while a receive error flag is set to 1. Accordingly, clear the ORER, FER, PER, and RDRF bits to 0 before resuming reception. Figure 13.9 shows a sample flowchart for serial data reception.

Table 13.11 SSR Status Flags and Receive Data Handling

SSR Status Flag				Receive Data	Receive Error Type
RDRF*	ORER	FER	PER		
1	1	0	0	Lost	Overflow error
0	0	1	0	Transferred to RDR	Framing error
0	0	0	1	Transferred to RDR	Parity error
1	1	1	0	Lost	Overflow error + framing error
1	1	0	1	Lost	Overflow error + parity error
0	0	1	1	Transferred to RDR	Framing error + parity error
1	1	1	1	Lost	Overflow error + framing error + parity error

Note: * The RDRF flag retains the state it had before data reception.

**Figure 13.9 Sample Serial Reception Flowchart (1)**

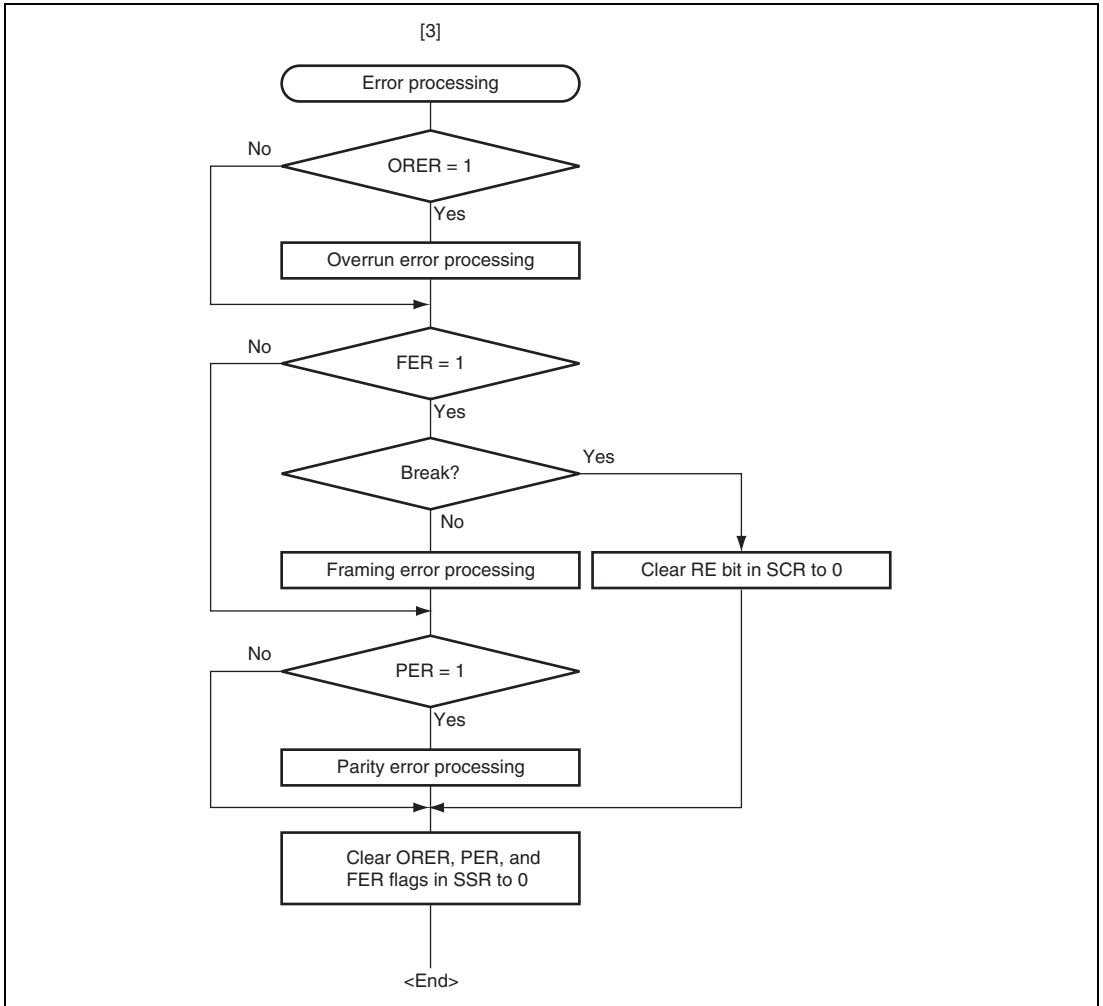


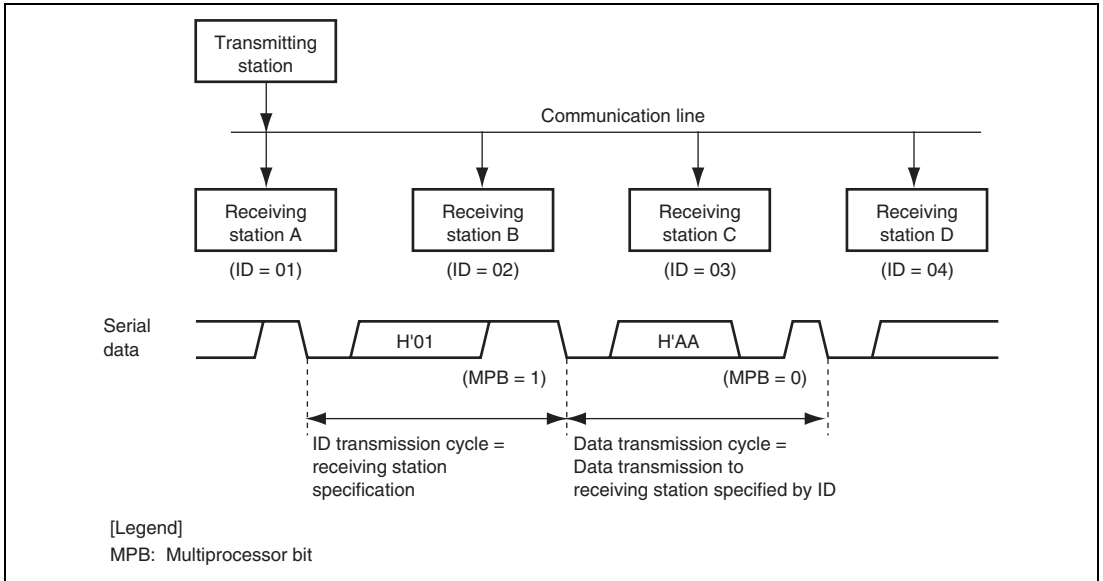
Figure 13.9 Sample Serial Reception Flowchart (2)

13.5 Multiprocessor Communication Function

Use of the multiprocessor communication function enables data transfer to be performed among a number of processors sharing communication lines by means of asynchronous serial communication using the multiprocessor format, in which a multiprocessor bit is added to the transfer data. When multiprocessor communication is carried out, each receiving station is addressed by a unique ID code. The serial communication cycle consists of two component cycles: an ID transmission cycle which specifies the receiving station, and a data transmission cycle for the specified receiving station. The multiprocessor bit is used to differentiate between the ID transmission cycle and the data transmission cycle. If the multiprocessor bit is 1, the cycle is an ID transmission cycle, and if the multiprocessor bit is 0, the cycle is a data transmission cycle. Figure 13.10 shows an example of inter-processor communication using the multiprocessor format. The transmitting station first sends data which includes the ID code of the receiving station and a multiprocessor bit set to 1. It then transmits transmit data added with the multiprocessor bit cleared to 0. The receiving station skips data until data with the multiprocessor bit set to 1 is sent. When data with the multiprocessor bit set to 1 is received, the receiving station compares that data with its own ID. The station whose ID matches then receives the data sent next. Stations whose ID does not match continue to skip data until data with the multiprocessor bit set to 1 is again received.

The SCI uses the MPIE bit in SCR to implement this function. When the MPIE bit is set to 1, transfer of receive data from RSR to RDR, error flag detection, and setting the SSR status flags, RDRF, FER, and ORER in SSR to 1 are prohibited until data with the multiprocessor bit set to 1 is received. On reception of a receive character with the multiprocessor bit set to 1, the MPBR bit in SSR is set to 1 and the MPIE bit is automatically cleared, thus normal reception is resumed. If the RIE bit in SCR is set to 1 at this time, an RXI interrupt is generated.

When the multiprocessor format is selected, the parity bit setting is invalid. All other bit settings are the same as those in normal asynchronous mode. The clock used for multiprocessor communication is the same as that in normal asynchronous mode.



**Figure 13.10 Example of Communication Using Multiprocessor Format
(Transmission of Data H'AA to Receiving Station A)**

13.5.1 Multiprocessor Serial Data Transmission

Figure 13.11 shows a sample flowchart for multiprocessor serial data transmission. For an ID transmission cycle, set the MPBT bit in SSR to 1 before transmission. For a data transmission cycle, clear the MPBT bit in SSR to 0 before transmission. All other SCI operations are the same as those in asynchronous mode.

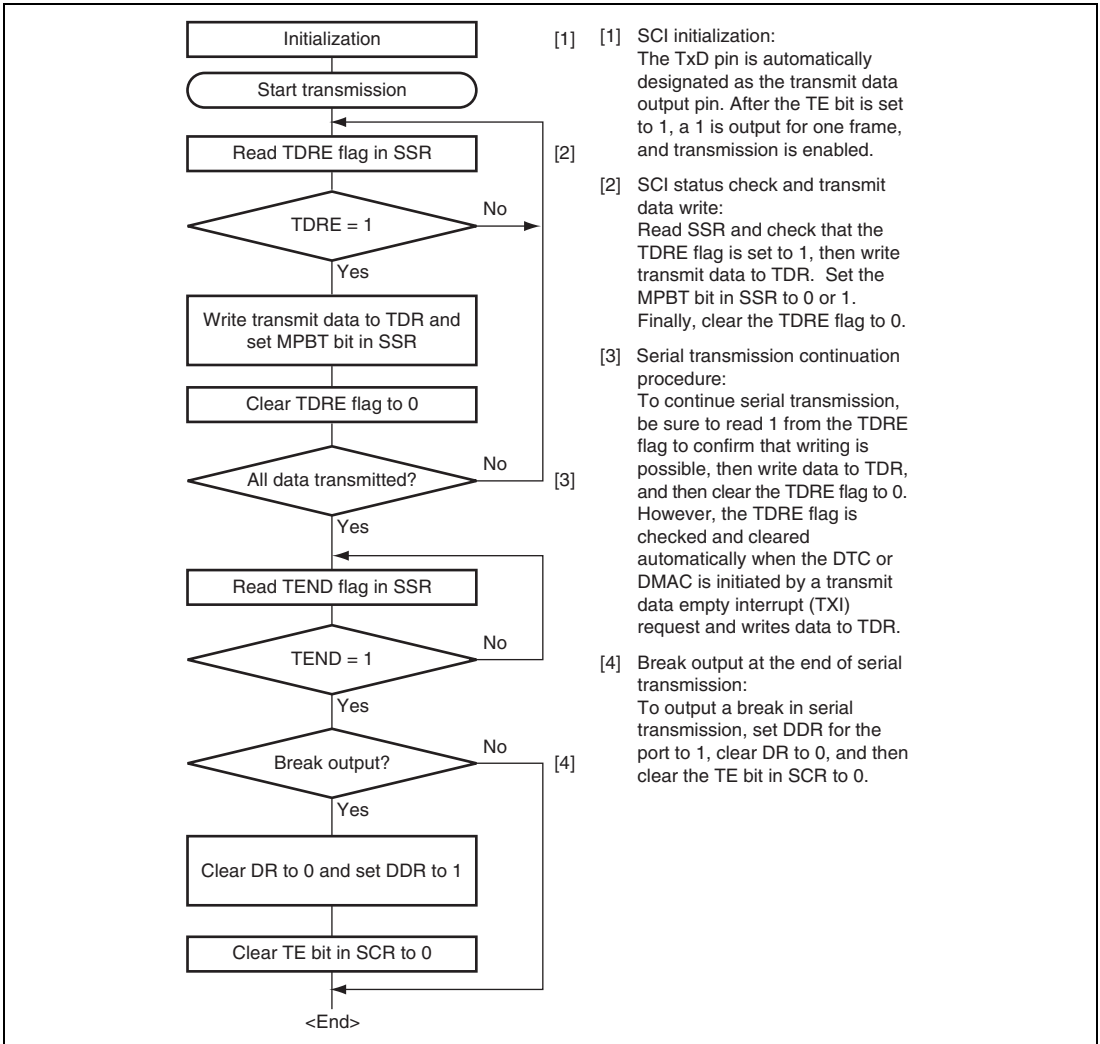
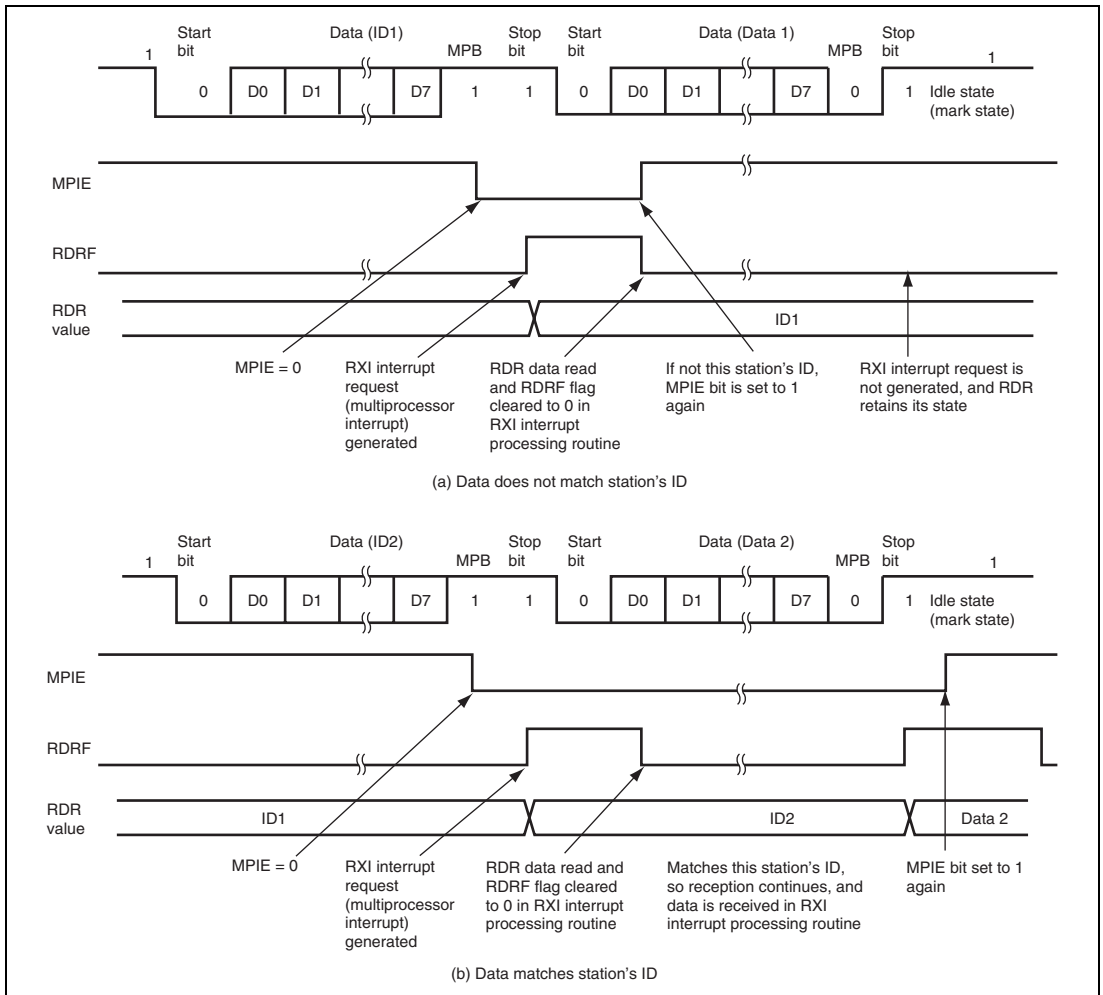


Figure 13.11 Sample Multiprocessor Serial Transmission Flowchart

13.5.2 Multiprocessor Serial Data Reception

Figure 13.13 shows a sample flowchart for multiprocessor serial data reception. If the MPIE bit in SCR is set to 1, data is skipped until data with a 1 multiprocessor bit is sent. On receiving data with a 1 multiprocessor bit, the receive data is transferred to RDR. An RXI interrupt request is generated at this time. All other SCI operations are the same as in asynchronous mode. Figure 13.12 shows an example of SCI operation for multiprocessor format reception.



**Figure 13.12 Example of SCI Operation for Reception
(Example with 8-Bit Data, Multiprocessor Bit, One Stop Bit)**

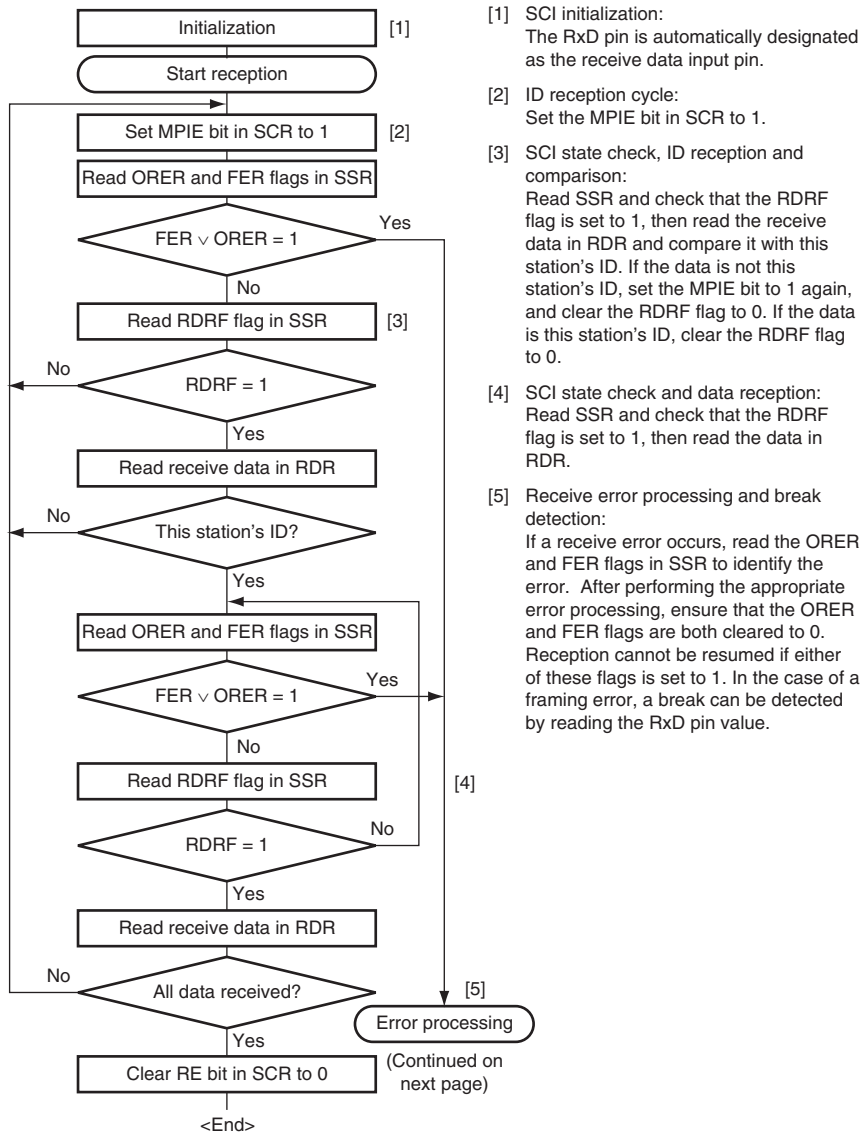


Figure 13.13 Sample Multiprocessor Serial Reception Flowchart (1)

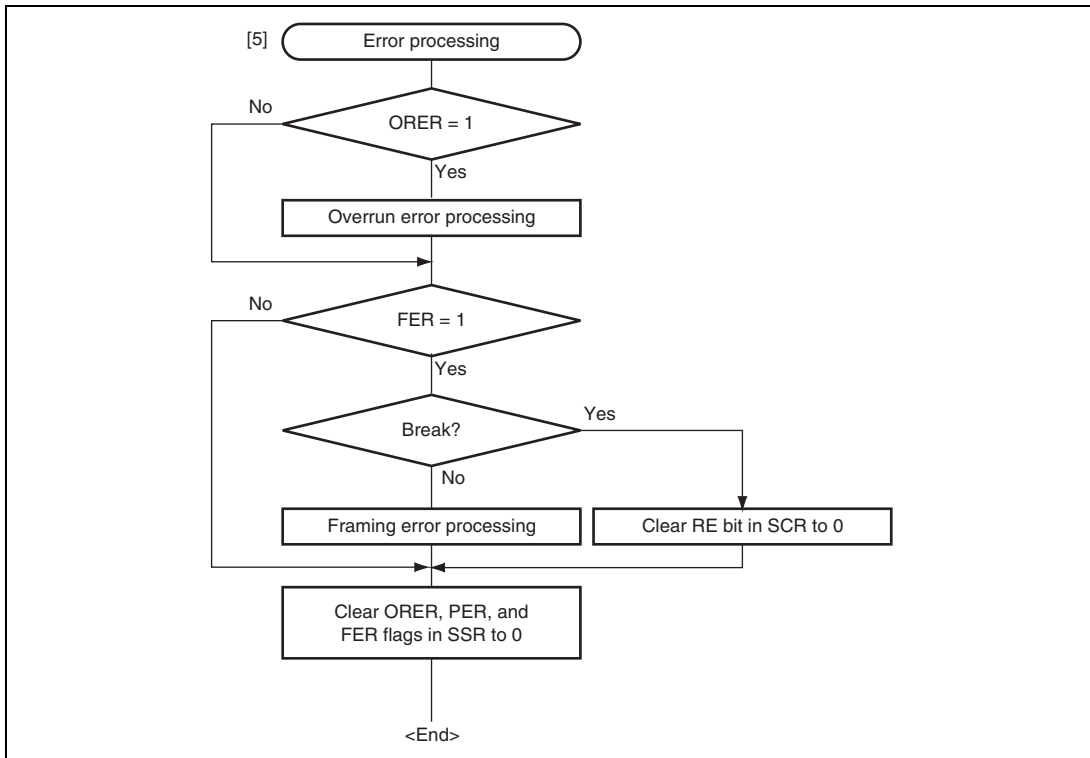


Figure 13.13 Sample Multiprocessor Serial Reception Flowchart (2)

13.6 Operation in Clocked Synchronous Mode

Figure 13.14 shows the general format for clocked synchronous communication. In clocked synchronous mode, data is transmitted or received in synchronization with clock pulses. One character in transfer data consists of 8-bit data. In data transmission, the SCI outputs data from one falling edge of the synchronization clock to the next. In data reception, the SCI receives data in synchronization with the rising edge of the synchronization clock. After 8-bit data is output, the transmission line holds the MSB output state. In clocked synchronous mode, no parity bit or multiprocessor bit is added. Inside the SCI, the transmitter and receiver are independent units, enabling full-duplex communication by use of a common clock. Both the transmitter and the receiver also have a double-buffered structure, so that the next transmit data can be written during transmission or the previous receive data can be read during reception, enabling continuous data transfer.

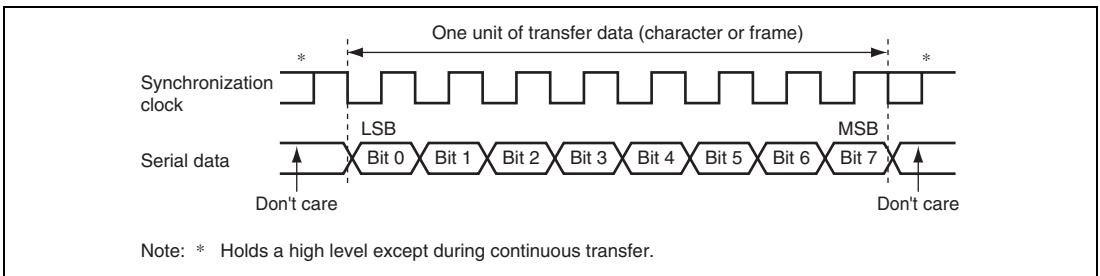


Figure 13.14 Data Format in Clocked Synchronous Communication (LSB-First)

13.6.1 Clock

Either an internal clock generated by the on-chip baud rate generator or an external synchronization clock input at the SCK pin can be selected, according to the setting of the CKE1 and CKE0 bits in SCR. When the SCI is operated on an internal clock, the synchronization clock is output from the SCK pin. Eight synchronization clock pulses are output in the transfer of one character, and when no transfer is performed the clock is fixed high. Note that in the case of reception only, the synchronization clock is output until an overrun error occurs or until the RE bit is cleared to 0.

13.6.2 SCI Initialization (Clocked Synchronous Mode)

Before transmitting and receiving data, first clear the TE and RE bits in SCR to 0, then initialize the SCI as described in a sample flowchart in figure 13.15. When the operating mode, transfer format, etc., is changed, the TE and RE bits must be cleared to 0 before making the change. When the TE bit is cleared to 0, the TDRE flag is set to 1. However, clearing the RE bit to 0 does not initialize the RDRF, PER, FER, and ORER flags, or RDR.

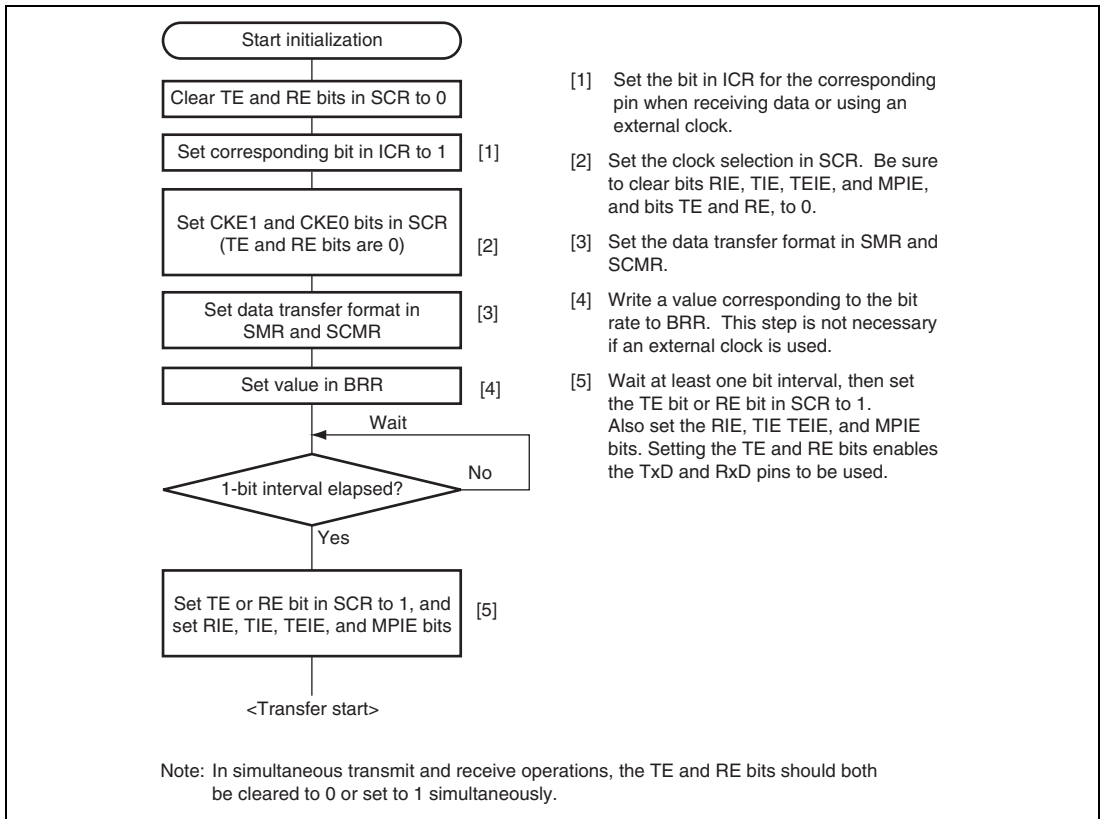


Figure 13.15 Sample SCI Initialization Flowchart

13.6.3 Serial Data Transmission (Clocked Synchronous Mode)

Figure 13.16 shows an example of the operation for transmission in clocked synchronous mode. In transmission, the SCI operates as described below.

1. The SCI monitors the TDRE flag in SSR, and if it is 0, recognizes that data has been written to TDR, and transfers the data from TDR to TSR.
2. After transferring data from TDR to TSR, the SCI sets the TDRE flag to 1 and starts transmission. If the TIE bit in SCR is set to 1 at this time, a TXI interrupt request is generated. Because the TXI interrupt processing routine writes the next transmit data to TDR before transmission of the current transmit data has finished, continuous transmission can be enabled.
3. 8-bit data is sent from the TxD pin synchronized with the output clock when clock output mode has been specified and synchronized with the input clock when use of an external clock has been specified.
4. The SCI checks the TDRE flag at the timing for sending the last bit.
5. If the TDRE flag is cleared to 0, the next transmit data is transferred from TDR to TSR, and serial transmission of the next frame is started.
6. If the TDRE flag is set to 1, the TEND flag in SSR is set to 1, and the TxD pin retains the output state of the last bit. If the TEIE bit in SCR is set to 1 at this time, a TEI interrupt request is generated. The SCK pin is fixed high.

Figure 13.17 shows a sample flowchart for serial data transmission. Even if the TDRE flag is cleared to 0, transmission will not start while a receive error flag (ORER, FER, or PER) is set to 1. Make sure to clear the receive error flags to 0 before starting transmission. Note that clearing the RE bit to 0 does not clear the receive error flags.

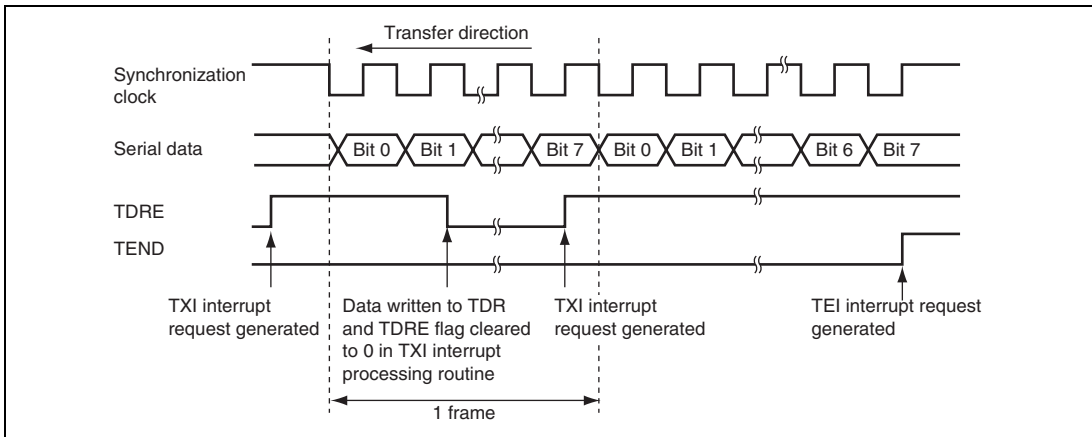


Figure 13.16 Example of Operation for Transmission in Clocked Synchronous Mode

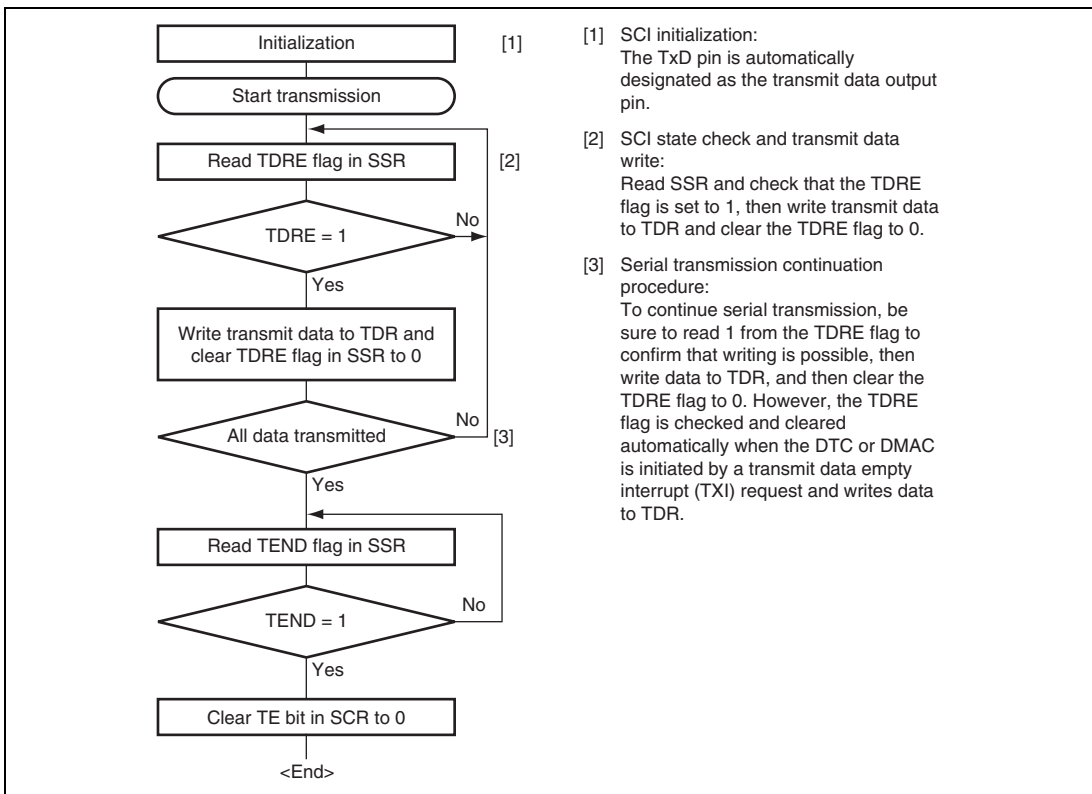


Figure 13.17 Sample Serial Transmission Flowchart

13.6.4 Serial Data Reception (Clocked Synchronous Mode)

Figure 13.18 shows an example of SCI operation for reception in clocked synchronous mode. In serial reception, the SCI operates as described below.

1. The SCI performs internal initialization in synchronization with a synchronization clock input or output, starts receiving data, and stores the receive data in RSR.
2. If an overrun error (when reception of the next data is completed while the RDRF flag in SSR is still set to 1) occurs, the ORER bit in SSR is set to 1. If the RIE bit in SCR is set to 1 at this time, an ERI interrupt request is generated. Receive data is not transferred to RDR. The RDRF flag remains to be set to 1.
3. If reception finishes successfully, the RDRF bit in SSR is set to 1, and receive data is transferred to RDR. If the RIE bit in SCR is set to 1 at this time, an RXI interrupt request is generated. Because the RXI interrupt processing routine reads the receive data transferred to RDR before reception of the next receive data has finished, continuous reception can be enabled.

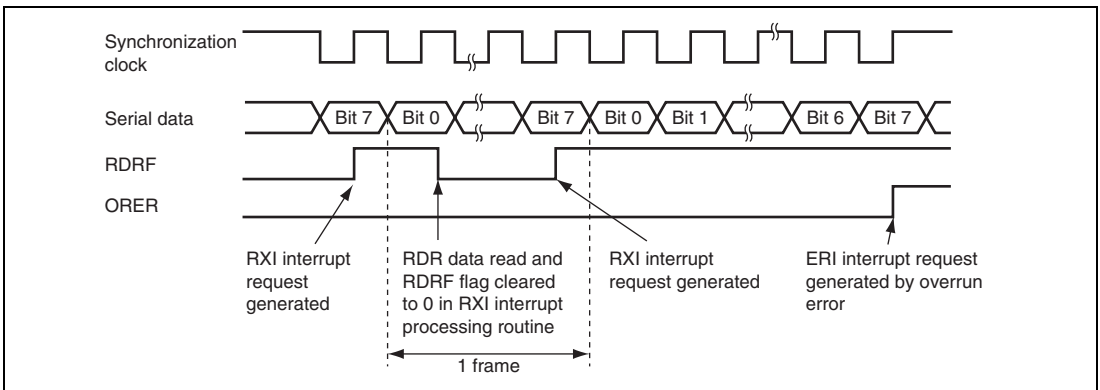


Figure 13.18 Example of Operation for Reception in Clocked Synchronous Mode

Transfer cannot be resumed while a receive error flag is set to 1. Accordingly, clear the ORER, FER, PER, and RDRF bits to 0 before resuming reception. Figure 13.19 shows a sample flowchart for serial data reception.

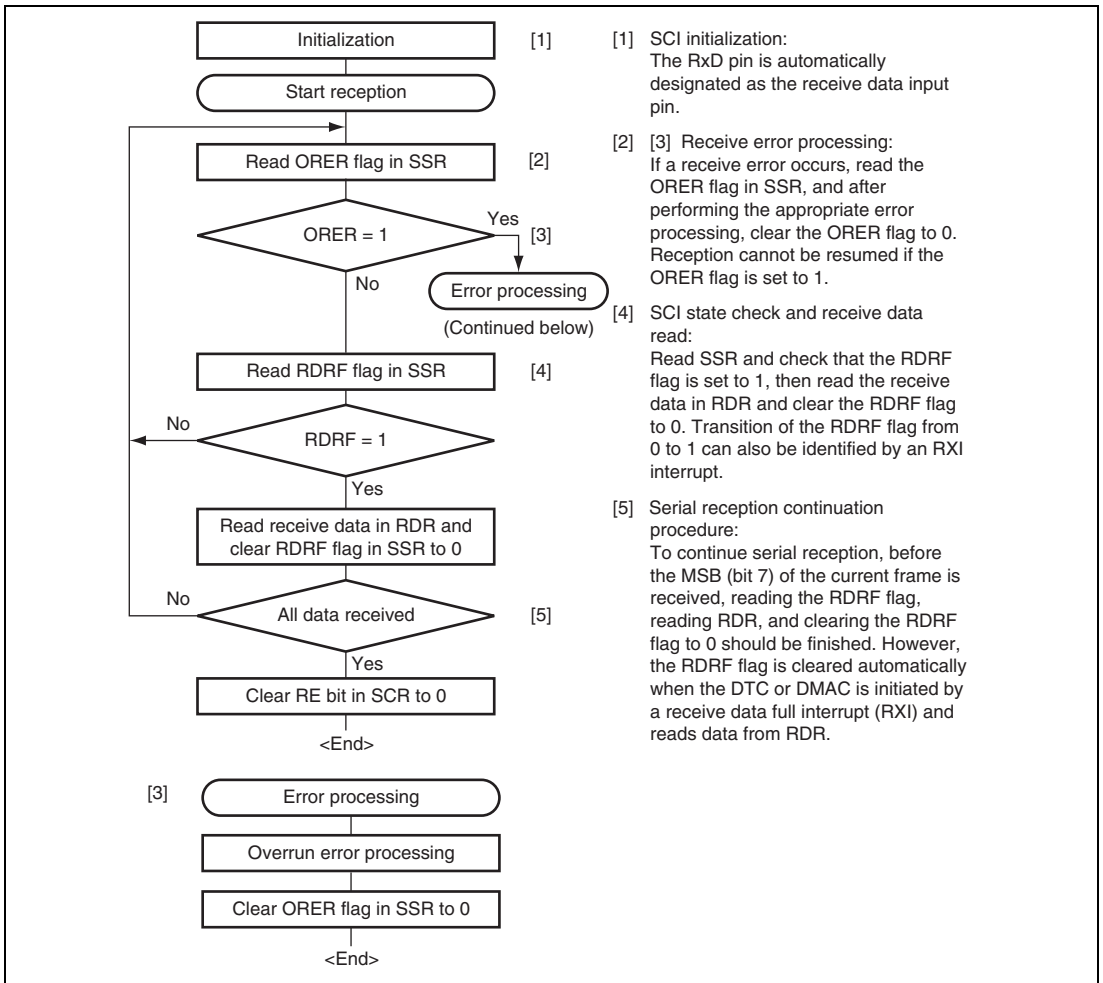


Figure 13.19 Sample Serial Reception Flowchart

13.6.5 Simultaneous Serial Data Transmission and Reception (Clocked Synchronous Mode)

Figure 13.20 shows a sample flowchart for simultaneous serial transmit and receive operations. After initializing the SCI, the following procedure should be used for simultaneous serial data transmit and receive operations. To switch from transmit mode to simultaneous transmit and receive mode, after checking that the SCI has finished transmission and the TDRE and TEND flags are set to 1, clear the TE bit to 0. Then simultaneously set both the TE and RE bits to 1 with a single instruction. To switch from receive mode to simultaneous transmit and receive mode, after checking that the SCI has finished reception, clear the RE bit to 0. Then after checking that the RDRF bit and receive error flags (ORER, FER, and PER) are cleared to 0, simultaneously set both the TE and RE bits to 1 with a single instruction.

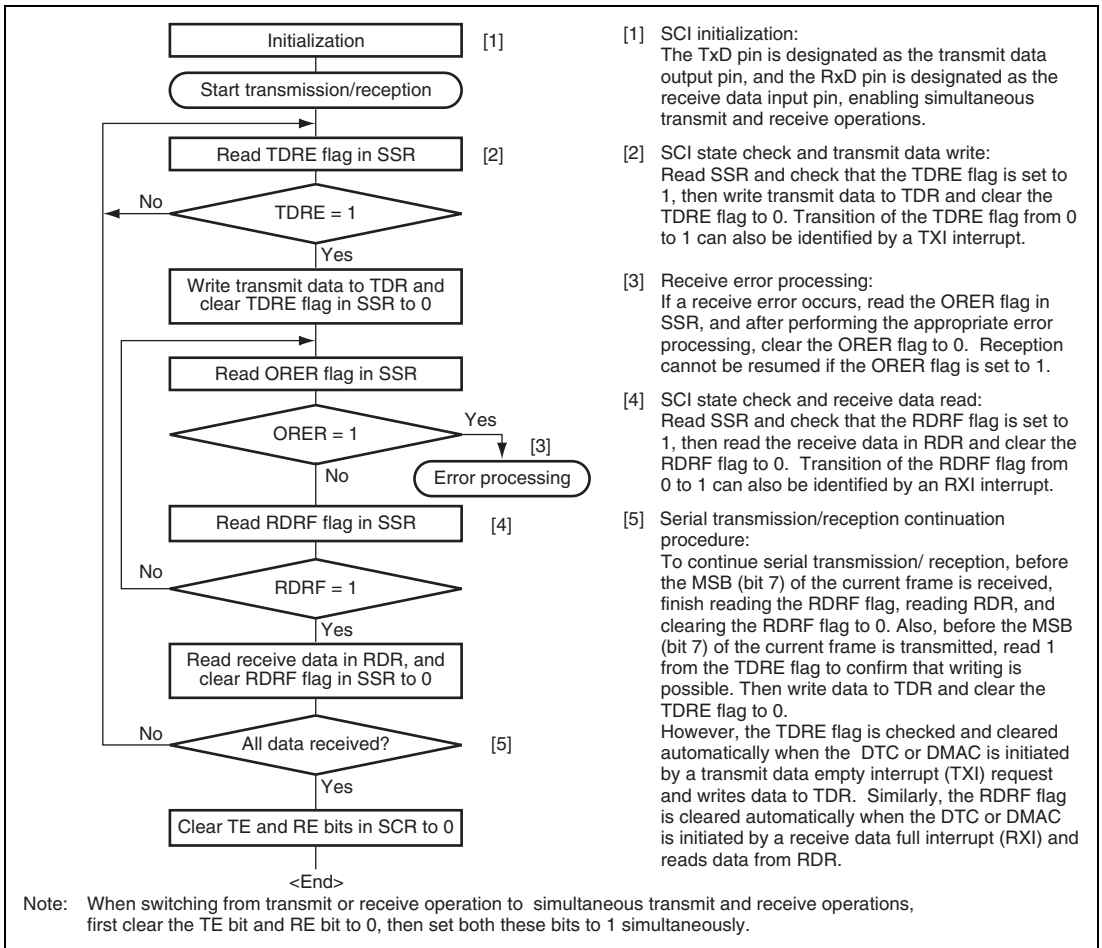


Figure 13.20 Sample Flowchart of Simultaneous Serial Transmission and Reception

13.7 Operation in Smart Card Interface Mode

The SCI supports the IC card (smart card) interface, conforming to ISO/IEC 7816-3 (Identification Card) standard, as an extended serial communication interface function. Smart card interface mode can be selected using the appropriate register.

13.7.1 Sample Connection

Figure 13.21 shows a sample connection between the smart card and this LSI. As in the figure, since this LSI communicates with the IC card using a single transmission line, interconnect the TxD and RxD pins and pull up the data transmission line to V_{CC} using a resistor. Setting the RE and TE bits to 1 with the IC card not connected enables closed transmission/reception allowing self diagnosis. To supply the IC card with the clock pulses generated by the SCI, input the SCK pin output to the CLK pin of the IC card. A reset signal can be supplied via the output port of this LSI.

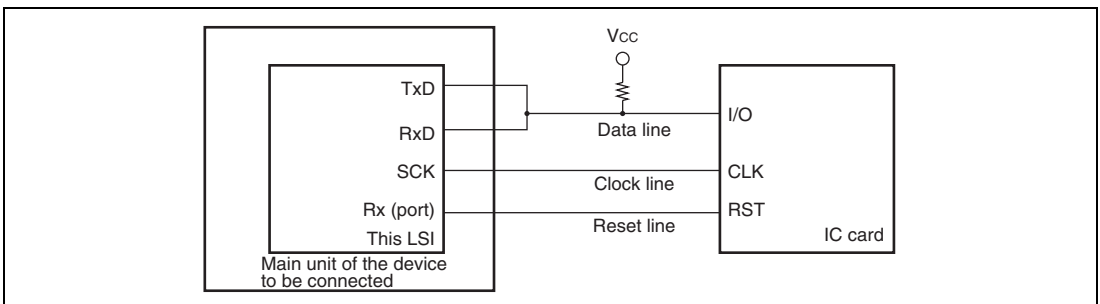


Figure 13.21 Pin Connection for Smart Card Interface

13.7.2 Data Format (Except in Block Transfer Mode)

Figure 13.22 shows the data transfer formats in smart card interface mode.

- One frame contains 8-bit data and a parity bit in asynchronous mode.
- During transmission, at least 2 etu (elementary time unit: time required for transferring one bit) is secured as a guard time after the end of the parity bit before the start of the next frame.
- If a parity error is detected during reception, a low error signal is output for 1 etu after 10.5 etu has passed from the start bit.
- If an error signal is sampled during transmission, the same data is automatically re-transmitted after at least 2 etu.

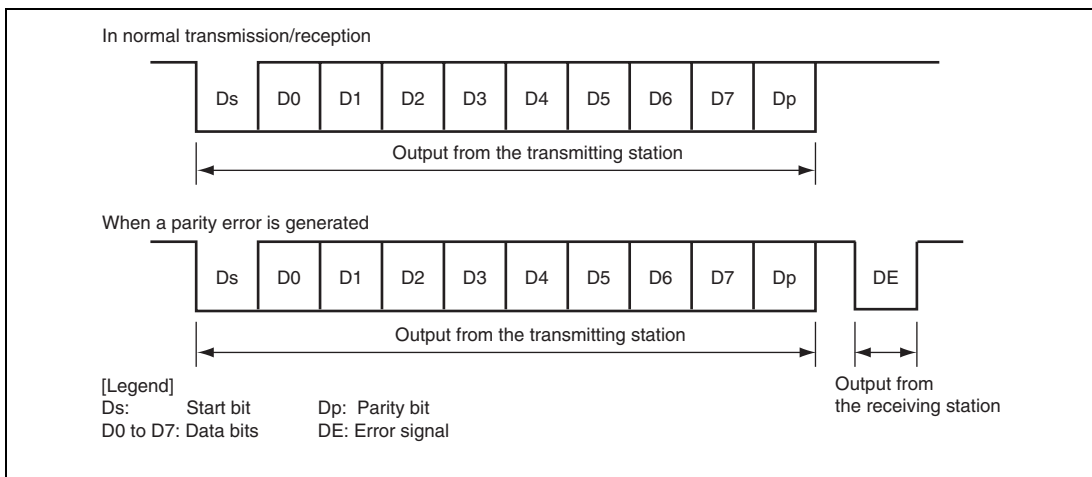


Figure 13.22 Data Formats in Normal Smart Card Interface Mode

For communication with the IC cards of the direct convention and inverse convention types, follow the procedure below.

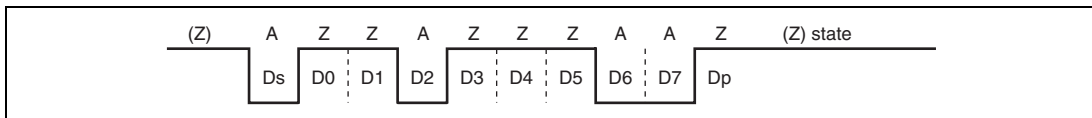


Figure 13.23 Direct Convention (SDIR = SINV = O/E = 0)

For the direct convention type, logic levels 1 and 0 correspond to states Z and A, respectively, and data is transferred with LSB-first as the start character, as shown in figure 13.23. Therefore, data in the start character in the figure is H'3B. When using the direct convention type, write 0 to both the SDIR and SINV bits in SCMR. Write 0 to the O/\bar{E} bit in SMR in order to use even parity, which is prescribed by the smart card standard.

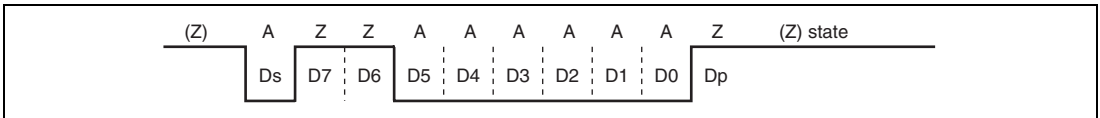


Figure 13.24 Inverse Convention (SDIR = SINV = O/\bar{E} = 1)

For the inverse convention type, logic levels 1 and 0 correspond to states A and Z, respectively and data is transferred with MSB-first as the start character, as shown in figure 13.24. Therefore, data in the start character in the figure is H'3F. When using the inverse convention type, write 1 to both the SDIR and SINV bits in SCMR. The parity bit is logic level 0 to produce even parity, which is prescribed by the smart card standard, and corresponds to state Z. Since the SNIV bit of this LSI only inverts data bits D7 to D0, write 1 to the O/\bar{E} bit in SMR to invert the parity bit in both transmission and reception.

13.7.3 Block Transfer Mode

Block transfer mode is different from normal smart card interface mode in the following respects.

- Even if a parity error is detected during reception, no error signal is output. Since the PER bit in SSR is set by error detection, clear the PER bit before receiving the parity bit of the next frame.
- During transmission, at least 1 etu is secured as a guard time after the end of the parity bit before the start of the next frame.
- Since the same data is not re-transmitted during transmission, the TEND flag is set 11.5 etu after transmission start.
- Although the ERS flag in block transfer mode displays the error signal status as in normal smart card interface mode, the flag is always read as 0 because no error signal is transferred.

13.7.4 Receive Data Sampling Timing and Reception Margin

Only the internal clock generated by the on-chip baud rate generator can be used as a transfer clock in smart card interface mode. In this mode, the SCI can operate on a basic clock with a frequency of 32, 64, 372, or 256 times the bit rate according to the BCP1 and BCP0 bit settings (the frequency is always 16 times the bit rate in normal asynchronous mode). At reception, the falling edge of the start bit is sampled using the basic clock in order to perform internal synchronization. Receive data is sampled on the 16th, 32nd, 186th and 128th rising edges of the basic clock so that it can be latched at the middle of each bit as shown in figure 13.25. The reception margin here is determined by the following formula.

$$M = \left| \left(0.5 - \frac{1}{2N} \right) - (L - 0.5) F - \frac{|D - 0.5|}{N} (1 + F) \right| \times 100\%$$

- M: Reception margin (%)
- N: Ratio of bit rate to clock (N = 32, 64, 372, 256)
- D: Duty cycle of clock (D = 0 to 1.0)
- L: Frame length (L = 10)
- F: Absolute value of clock frequency deviation

Assuming values of F = 0, D = 0.5, and N = 372 in the above formula, the reception margin is determined by the formula below.

$$M = \left(0.5 - \frac{1}{2 \times 372} \right) \times 100\% = 49.866\%$$

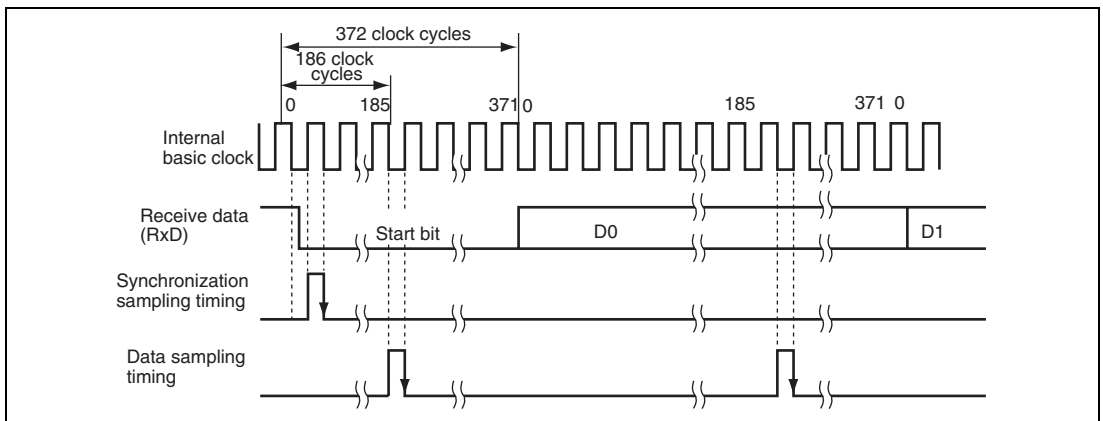


Figure 13.25 Receive Data Sampling Timing in Smart Card Interface Mode (When Clock Frequency is 372 Times the Bit Rate)

13.7.5 Initialization

Before transmitting and receiving data, initialize the SCI using the following procedure.

Initialization is also necessary before switching from transmission to reception and vice versa.

1. Clear the TE and RE bits in SCR to 0.
2. Set the ICR bit of the corresponding pin to 1.
3. Clear the error flags ERS, PER, and ORER in SSR to 0.
4. Set the GM, BLK, O/ \bar{E} , BCP1, BCP0, CKS1, and CKS0 bits in SMR appropriately. Also set the PE bit to 1.
5. Set the SMIF, SDIR, and SINV bits in SCMR appropriately. When the DDR corresponding to the TxD pin is cleared to 0, the TxD and RxD pins are changed from port pins to SCI pins, placing the pins into high impedance state.
6. Set the value corresponding to the bit rate in BRR.
7. Set the CKE1 and CKE0 bits in SCR appropriately. Clear the TIE, RIE, TE, RE, MPIE, and TEIE bits to 0 simultaneously.

When the CKE0 bit is set to 1, the SCK pin is allowed to output clock pulses.

8. Set the TIE, RIE, TE, and RE bits in SCR appropriately after waiting for at least a 1-bit interval. Setting the TE and RE bits to 1 simultaneously is prohibited except for self diagnosis.

To switch from reception to transmission, first verify that reception has completed, then initialize the SCI. At the end of initialization, RE and TE should be set to 0 and 1, respectively. Reception completion can be verified by reading the RDRF, PER, or ORER flag. To switch from transmission to reception, first verify that transmission has completed, then initialize the SCI. At the end of initialization, TE and RE should be set to 0 and 1, respectively. Transmission completion can be verified by reading the TEND flag.

13.7.6 Data Transmission (Except in Block Transfer Mode)

Data transmission in smart card interface mode (except in block transfer mode) is different from that in normal serial communication interface mode in that an error signal is sampled and data can be re-transmitted. Figure 13.26 shows the data re-transfer operation during transmission.

1. If an error signal from the receiving end is sampled after one frame of data has been transmitted, the ERS bit in SSR is set to 1. Here, an ERI interrupt request is generated if the RIE bit in SCR is set to 1. Clear the ERS bit to 0 before the next parity bit is sampled.
2. For the frame in which an error signal is received, the TEND bit in SSR is not set to 1. Data is re-transferred from TDR to TSR allowing automatic data retransmission.
3. If no error signal is returned from the receiving end, the ERS bit in SSR is not set to 1.
4. In this case, one frame of data is determined to have been transmitted including re-transfer, and the TEND bit in SSR is set to 1. Here, a TXI interrupt request is generated if the TIE bit in SCR is set to 1. Writing transmit data to TDR starts transmission of the next data.

Figure 13.28 shows a sample flowchart for transmission. All the processing steps are automatically performed using a TXI interrupt request to activate the DTC or DMAC. In transmission, the TEND and TDRE flags in SSR are simultaneously set to 1, thus generating a TXI interrupt request if the TIE bit in SCR has been set to 1. This activates the DTC or DMAC by a TXI request thus allowing transfer of transmit data if the TXI interrupt request is specified as a source of DTC or DMAC activation beforehand. The TDRE and TEND flags are automatically cleared to 0 at data transfer by the DTC or DMAC. If an error occurs, the SCI automatically re-transmits the same data. During re-transmission, TEND remains as 0, thus not activating the DTC or DMAC. Therefore, the SCI and DTC or DMAC automatically transmit the specified number of bytes, including re-transmission in the case of error occurrence. However, the ERS flag is not automatically cleared; the ERS flag must be cleared by previously setting the RIE bit to 1 to enable an ERI interrupt request to be generated at error occurrence.

When transmitting/receiving data using the DTC or DMAC, be sure to set and enable the DMAC or DTC prior to making SCI settings. For DMAC or DTC settings, see section 7, DMA Controller (DMAC), and see section 8, Data Transfer Controller (DTC).

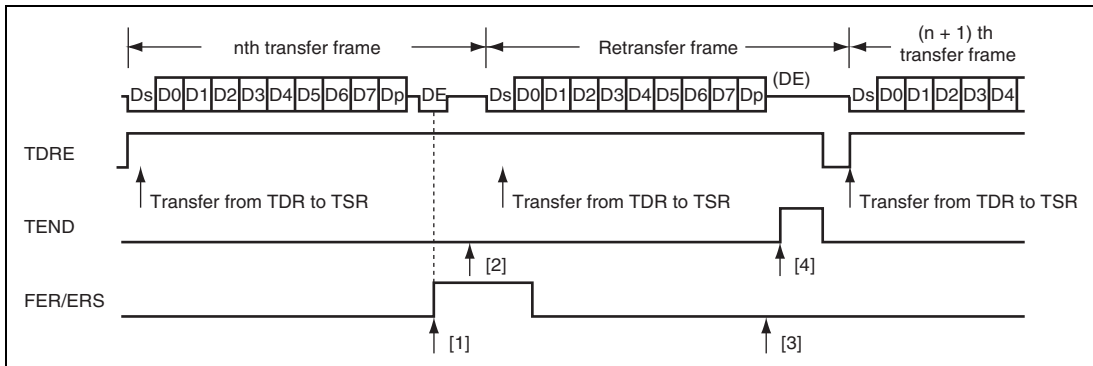


Figure 13.26 Data Re-Transfer Operation in SCI Transmission Mode

Note that the TEND flag is set in different timings depending on the GM bit setting in SMR. Figure 13.27 shows the TEND flag set timing.

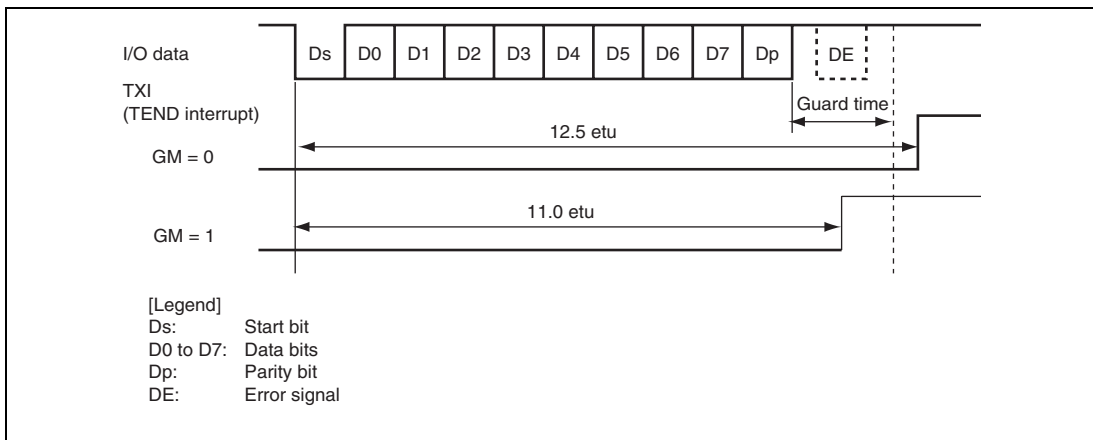


Figure 13.27 TEND Flag Set Timing during Transmission

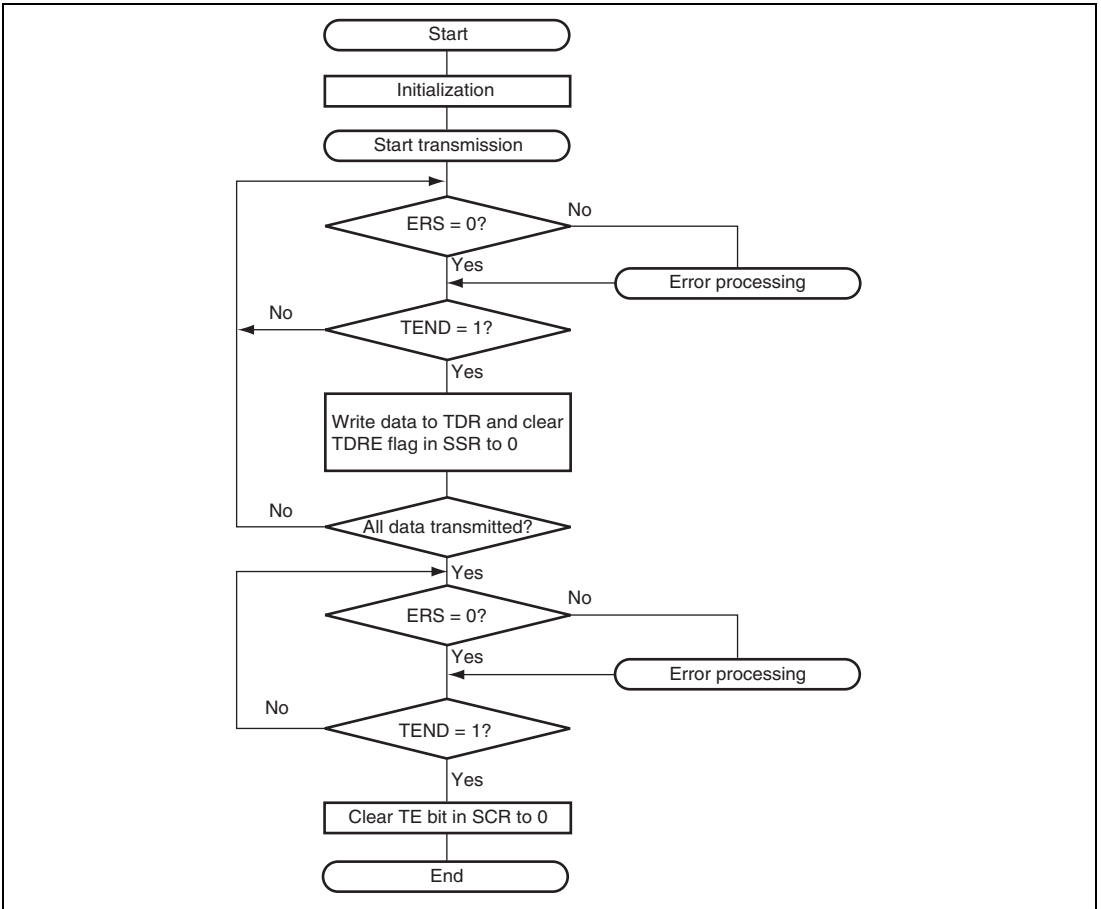


Figure 13.28 Sample Transmission Flowchart

13.7.7 Serial Data Reception (Except in Block Transfer Mode)

Data reception in smart card interface mode is similar to that in normal serial communication interface mode. Figure 13.29 shows the data re-transfer operation during reception.

1. If a parity error is detected in receive data, the PER bit in SSR is set to 1. Here, an ERI interrupt request is generated if the RIE bit in SCR is set to 1. Clear the PER bit to 0 before the next parity bit is sampled.
2. For the frame in which a parity error is detected, the RDRF bit in SSR is not set to 1.
3. If no parity error is detected, the PER bit in SSR is not set to 1.
4. In this case, data is determined to have been received successfully, and the RDRF bit in SSR is set to 1. Here, an RXI interrupt request is generated if the RIE bit in SCR is set to 1.

Figure 13.30 shows a sample flowchart for reception. All the processing steps are automatically performed using an RXI interrupt request to activate the DTC or DMAC. In reception, setting the RIE bit to 1 allows an RXI interrupt request to be generated when the RDRF flag is set to 1. This activates the DTC or DMAC by an RXI request thus allowing transfer of receive data if the RXI interrupt request is specified as a source of DTC or DMAC activation beforehand. The RDRF flag is automatically cleared to 0 at data transfer by the DTC or DMAC. If an error occurs during reception, i.e., either the ORER or PER flag is set to 1, a transmit/receive error interrupt (ERI) request is generated and the error flag must be cleared. If an error occurs, the DTC or DMAC is not activated and receive data is skipped, therefore, the number of bytes of receive data specified in the DTC or DMAC is transferred. Even if a parity error occurs and the PER bit is set to 1 in reception, receive data is transferred to RDR, thus allowing the data to be read.

Note: For operations in block transfer mode, see section 13.4, Operation in Asynchronous Mode.

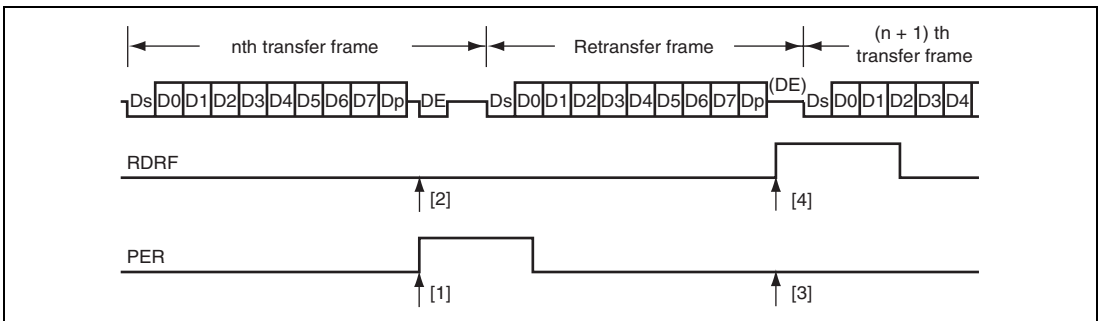


Figure 13.29 Data Re-Transfer Operation in SCI Reception Mode

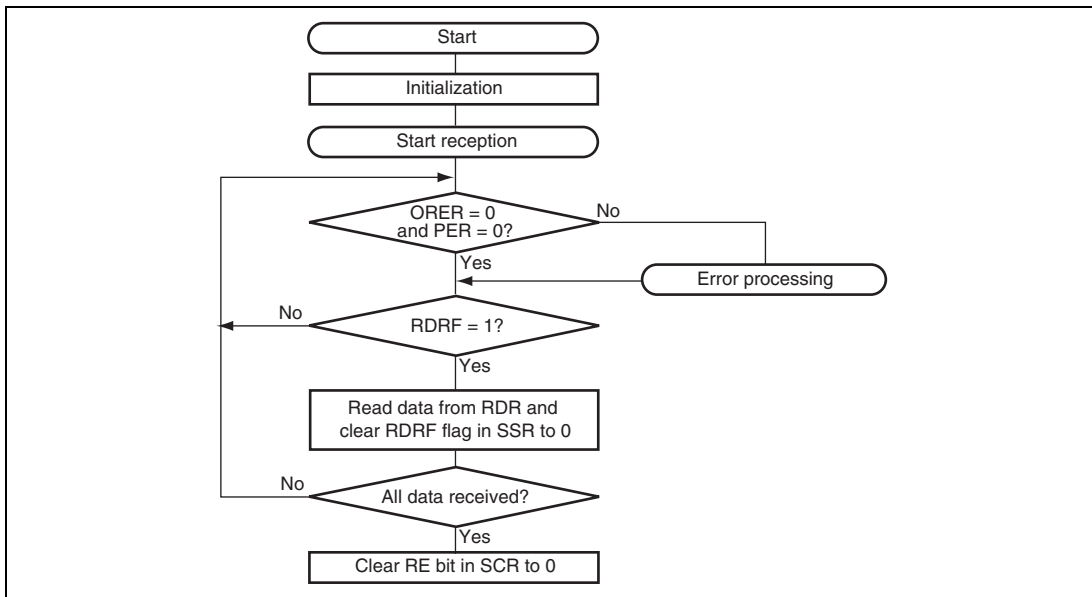


Figure 13.30 Sample Reception Flowchart

13.7.8 Clock Output Control

Clock output can be fixed using the CKE1 and CKE0 bits in SCR when the GM bit in SMR is set to 1. Specifically, the minimum width of a clock pulse can be specified.

Figure 13.31 shows an example of clock output fixing timing when the CKE0 bit is controlled with GM = 1 and CKE1 = 0.

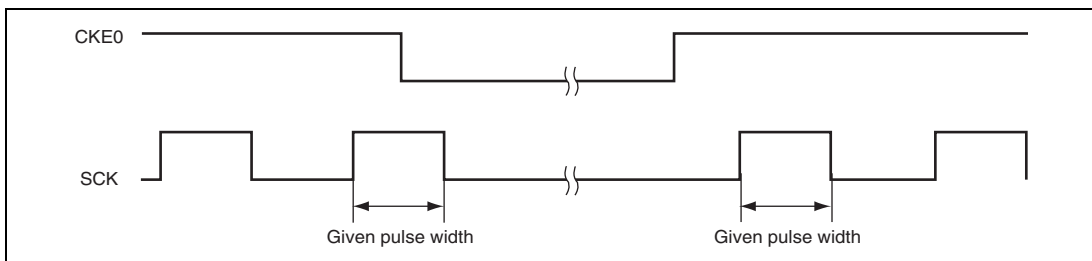


Figure 13.31 Clock Output Fixing Timing

At power-on and transitions to/from software standby mode, use the following procedure to secure the appropriate clock duty cycle.

- At power-on

To secure the appropriate clock duty cycle simultaneously with power-on, use the following procedure.

 1. Initially, port input is enabled in the high-impedance state. To fix the potential level, use a pull-up or pull-down resistor.
 2. Fix the SCK pin to the specified output using the CKE1 bit in SCR.
 3. Set SMR and SCMR to enable smart card interface mode.
Set the CKE0 bit in SCR to 1 to start clock output.
- At mode switching
 - At transition from smart card interface mode to software standby mode
 1. Set the data register (DR) and data direction register (DDR) corresponding to the SCK pin to the values for the output fixed state in software standby mode.
 2. Write 0 to the TE and RE bits in SCR to stop transmission/reception. Simultaneously, set the CKE1 bit to the value for the output fixed state in software standby mode.
 3. Write 0 to the CKE0 bit in SCR to stop the clock.
 4. Wait for one cycle of the serial clock. In the mean time, the clock output is fixed to the specified level with the duty cycle retained.
 5. Make the transition to software standby mode.
 - At transition from smart card interface mode to software standby mode
 6. Clear software standby mode.
 7. Write 1 to the CKE0 bit in SCR to start clock output. A clock signal with the appropriate duty cycle is then generated.

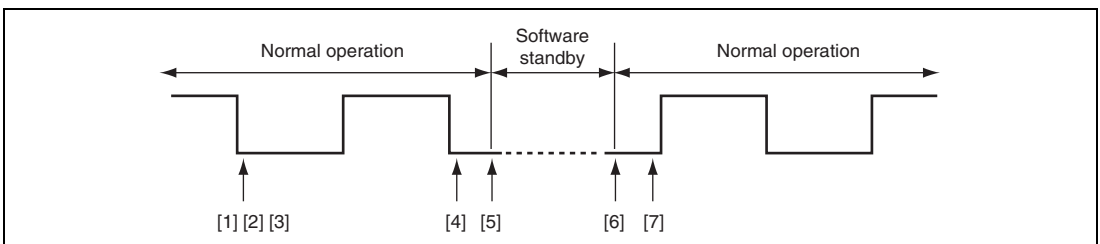


Figure 13.32 Clock Stop and Restart Procedure

13.8 Interrupt Sources

13.8.1 Interrupts in Normal Serial Communication Interface Mode

Table 13.12 shows the interrupt sources in normal serial communication interface mode. A different interrupt vector is assigned to each interrupt source, and individual interrupt sources can be enabled or disabled using the enable bits in SCR.

When the TDRE flag in SSR is set to 1, a TXI interrupt request is generated. When the TEND flag in SSR is set to 1, a TEI interrupt request is generated. A TXI interrupt request can activate the DTC or DMAC to allow data transfer. The TDRE flag is automatically cleared to 0 at data transfer by the DTC or DMAC.

When the RDRF flag in SSR is set to 1, an RXI interrupt request is generated. When the ORER, PER, or FER flag in SSR is set to 1, an ERI interrupt request is generated. An RXI interrupt can activate the DTC or DMAC to allow data transfer. The RDRF flag is automatically cleared to 0 at data transfer by the DTC or DMAC.

A TEI interrupt is requested when the TEND flag is set to 1 while the TEIE bit is set to 1. If a TEI interrupt and a TXI interrupt are requested simultaneously, the TXI interrupt has priority for acceptance. However, note that if the TDRE and TEND flags are cleared to 0 simultaneously by the TXI interrupt processing routine, the SCI cannot branch to the TEI interrupt processing routine later.

Table 13.12 SCI Interrupt Sources

Name	Interrupt Source	Interrupt Flag	DTC Activation	DMAC Activation	Priority
ERI	Receive error	ORER, FER, or PER	Not possible	Not possible	High
RXI	Receive data full	RDRF	Possible	Possible	↑ Low
TXI	Transmit data empty	TDRE	Possible	Possible	
TEI	Transmit end	TEND	Not possible	Not possible	

13.8.2 Interrupts in Smart Card Interface Mode

Table 13.13 shows the interrupt sources in smart card interface mode. A transmit end (TEI) interrupt request cannot be used in this mode.

Table 13.13 SCI Interrupt Sources

Name	Interrupt Source	Interrupt Flag	DTC Activation	DMAC Activation	Priority
ERI	Receive error or error signal detection	ORER, PER, or ERS	Not possible	Not possible	High
RXI	Receive data full	RDRF	Possible	Possible	↑ Low
TXI	Transmit data empty	TDRE	Possible	Possible	

Data transmission/reception using the DTC or DMAC is also possible in smart card interface mode, similar to in the normal SCI mode. In transmission, the TEND and TDRE flags in SSR are simultaneously set to 1, thus generating a TXI interrupt. This activates the DTC or DMAC by a TXI request thus allowing transfer of transmit data if the TXI request is specified as a source of DTC or DMAC activation beforehand. The TDRE and TEND flags are automatically cleared to 0 at data transfer by the DTC or DMAC. If an error occurs, the SCI automatically re-transmits the same data. During re-transmission, the TEND flag remains as 0, thus not activating the DTC or DMAC. Therefore, the SCI and DTC or DMAC automatically transmit the specified number of bytes, including re-transmission in the case of error occurrence. However, the ERS flag in SSR, which is set at error occurrence, is not automatically cleared; the ERS flag must be cleared by previously setting the RIE bit in SCR to 1 to enable an ERI interrupt request to be generated at error occurrence.

When transmitting/receiving data using the DTC or DMAC, be sure to set and enable the DTC or DMAC prior to making SCI settings. For DTC or DMAC settings, see section 7, DMA Controller (DMAC), and see section 8, Data Transfer Controller (DTC).

In reception, an RXI interrupt request is generated when the RDRF flag in SSR is set to 1. This activates the DTC or DMAC by an RXI request thus allowing transfer of receive data if the RXI request is specified as a source of DTC or DMAC activation beforehand. The RDRF flag is automatically cleared to 0 at data transfer by the DTC or DMAC. If an error occurs, the RDRF flag is not set but the error flag is set. Therefore, the DTC or DMAC is not activated and an ERI interrupt request is issued to the CPU instead; the error flag must be cleared.

13.9 Usage Notes

13.9.1 Module Stop Mode Setting

Operation of the SCI can be disabled or enabled using the module stop control register. The initial setting is for operation of the SCI to be halted. Register access is enabled by clearing module stop mode. For details, refer to section 19, Power-Down Modes.

13.9.2 Break Detection and Processing

When framing error detection is performed, a break can be detected by reading the RxD pin value directly. In a break, the input from the RxD pin becomes all 0s, and so the FER flag is set, and the PER flag may also be set. Note that, since the SCI continues the receive operation even after receiving a break, even if the FER flag is cleared to 0, it will be set to 1 again.

13.9.3 Mark State and Break Detection

When the TE bit is 0, the TxD pin is used as an I/O port whose direction (input or output) and level are determined by DR and DDR. This can be used to set the TxD pin to mark state (high level) or send a break during serial data transmission. To maintain the communication line in mark state (the state of 1) until TE is set to 1, set both DDR and DR to 1. Since the TE bit is cleared to 0 at this point, the TxD pin becomes an I/O port, and 1 is output from the TxD pin. To send a break during serial transmission, first set DDR to 1 and DR to 0, and then clear the TE bit to 0. When the TE bit is cleared to 0, the transmitter is initialized regardless of the current transmission state, the TxD pin becomes an I/O port, and 0 is output from the TxD pin.

13.9.4 Receive Error Flags and Transmit Operations (Clocked Synchronous Mode Only)

Transmission cannot be started when a receive error flag (ORER, FER, or RER) is set to 1, even if the TDRE flag is cleared to 0. Be sure to clear the receive error flags to 0 before starting transmission. Note also that the receive error flags cannot be cleared to 0 even if the RE bit is cleared to 0.

13.9.5 Relation between Writing to TDR and TDRE Flag

The TDRE flag in SSR is a status flag which indicates that transmit data has been transferred from TDR to TSR. When the SCI transfers data from TDR to TSR, the TDRE flag is set to 1.

Data can be written to TDR irrespective of the TDRE flag status. However, if new data is written to TDR when the TDRE flag is 0, that is, when the previous data has not been transferred to TSR yet, the previous data in TDR is lost. Be sure to write transmit data to TDR after verifying that the TDRE flag is set to 1.

13.9.6 Restrictions on Using DTC or DMAC

- When the external clock source is used as a synchronization clock, update TDR by the DTC or DMAC and wait for at least five $P\phi$ clock cycles before allowing the transmit clock to be input. If the transmit clock is input within four clock cycles after TDR modification, the SCI may malfunction (figure 13.33).
- When using the DTC or DMAC to read RDR, be sure to set the receive end interrupt (RXI) as the DMAC activation source.

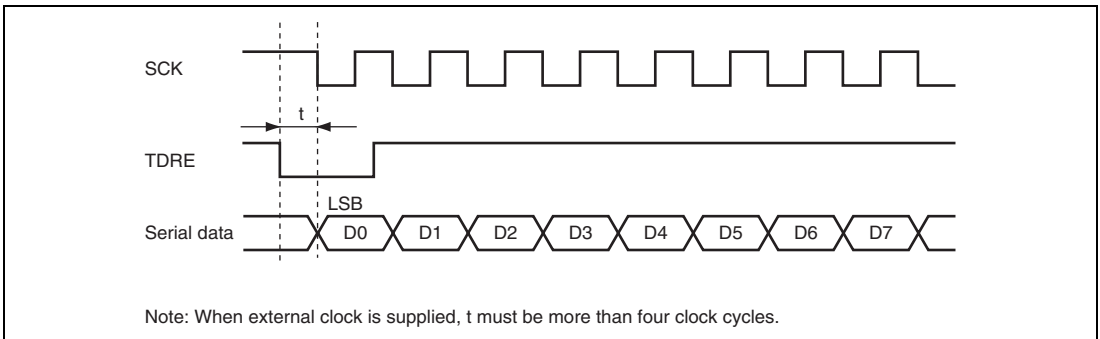


Figure 13.33 Sample Transmission using DTC or DMAC in Clocked Synchronous Mode

13.9.7 SCI Operations during Mode Transitions

(1) Transmission

Before making the transition to module stop mode or software standby mode, stop the transmit operations ($TE = TIE = TEIE = 0$). TSR, TDR, and SSR are reset. The states of the output pins during module stop mode or software standby mode depend on the port settings, and the pins output a high-level signal after mode cancellation. If the transition is made during data transmission, the data being transmitted will be undefined.

To transmit data in the same transmission mode after mode cancellation, set the TE bit to 1, read SSR, write to TDR, clear TDRE in this order, and then start transmission. To transmit data in a different transmission mode, initialize the SCI first.

Figure 13.34 shows a sample flowchart for mode transition during transmission. Figures 13.35 and 13.36 show the port pin states during mode transition.

Before making the transition from the transmission mode using DTC transfer to module stop mode or software standby mode, stop all transmit operations ($TE = TIE = TEIE = 0$). Setting the TE and TIE bits to 1 after mode cancellation sets the TXI flag to start transmission using the DTC.

(2) Reception

Before making the transition to module stop mode or software standby mode, stop the receive operations ($RE = 0$). RSR, RDR, and SSR are reset. If transition is made during data reception, the data being received will be invalid.

To receive data in the same reception mode after mode cancellation, set the RE bit to 1, and then start reception. To receive data in a different reception mode, initialize the SCI first.

Figure 13.37 shows a sample flowchart for mode transition during reception.

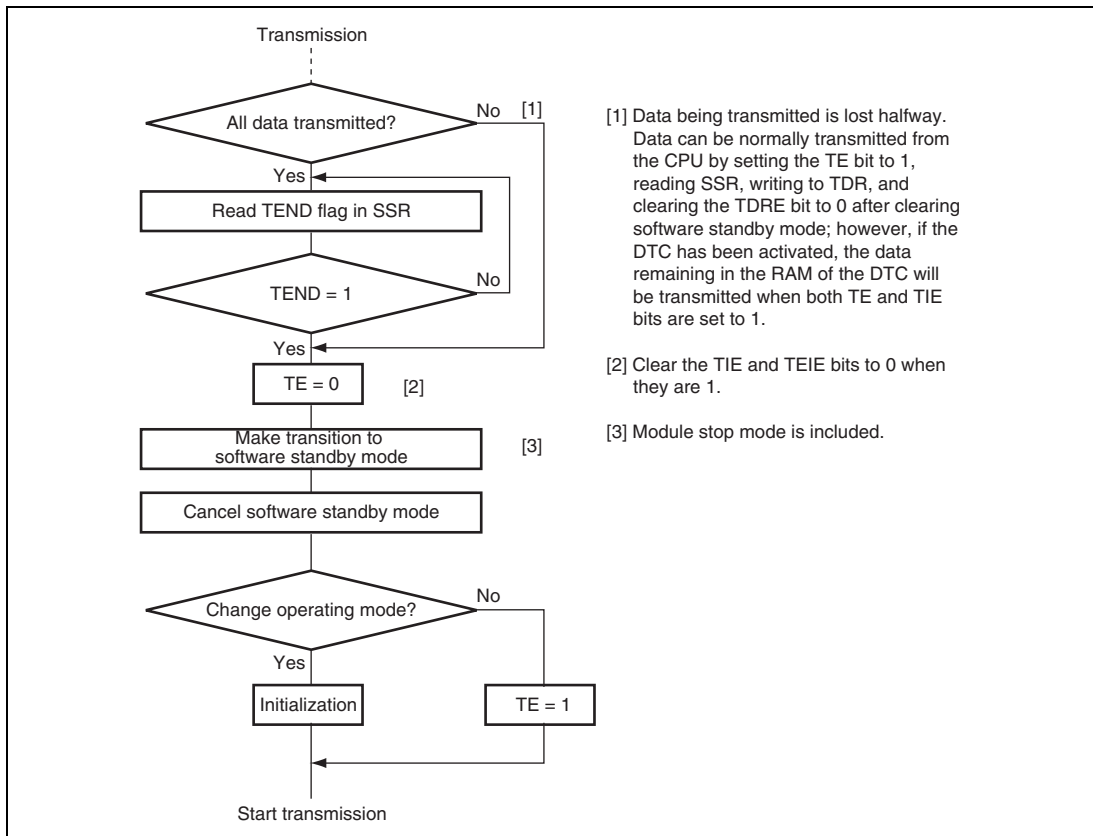


Figure 13.34 Sample Flowchart for Mode Transition during Transmission

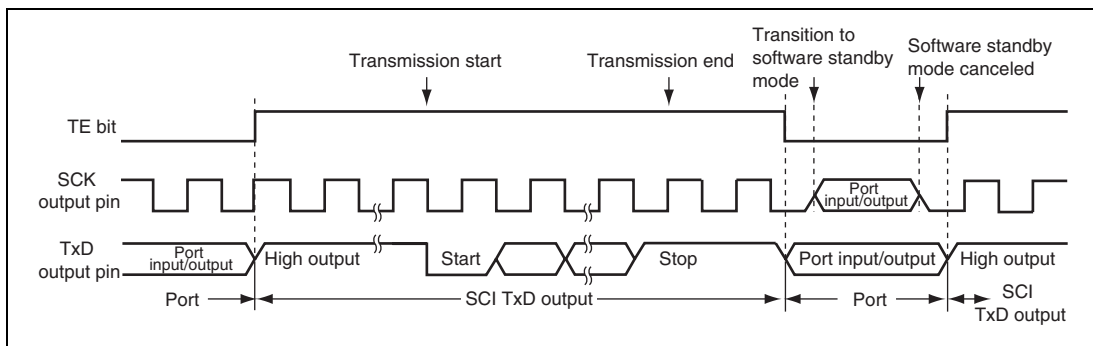


Figure 13.35 Port Pin States during Mode Transition (Internal Clock, Asynchronous Transmission)

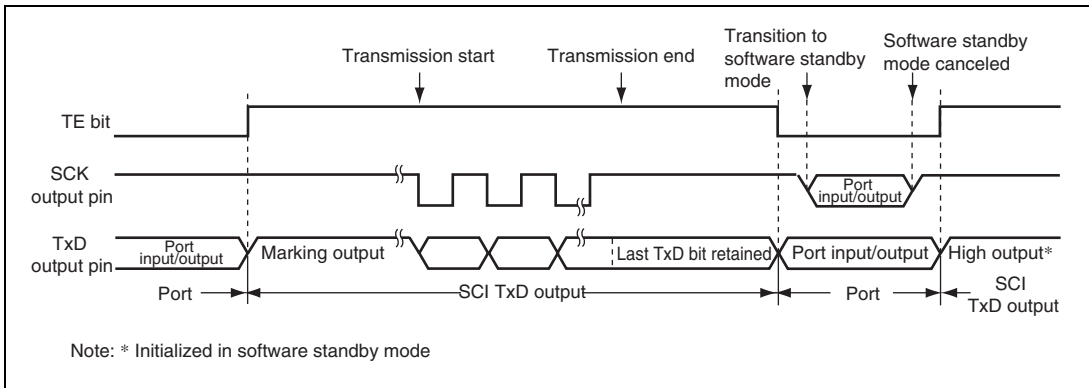


Figure 13.36 Port Pin States during Mode Transition (Internal Clock, Clocked Synchronous Transmission)

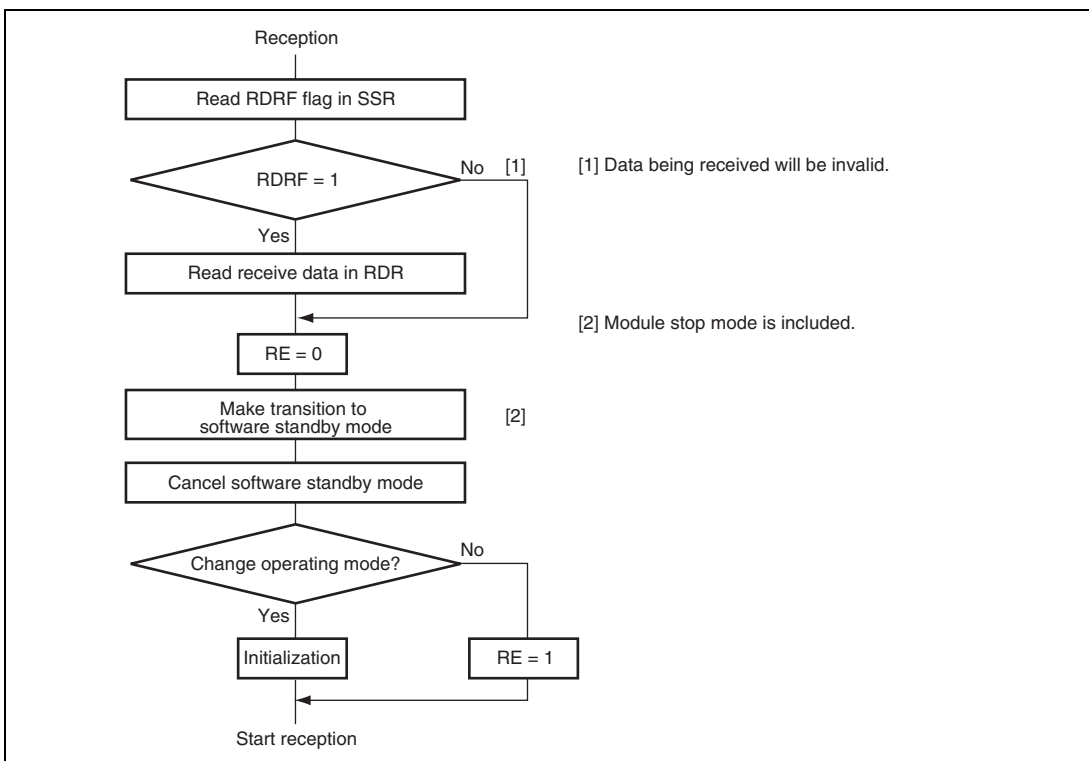


Figure 13.37 Sample Flowchart for Mode Transition during Reception

Section 14 Synchronous Serial Communication Unit (SSU)

This LSI has three independent synchronous serial communication unit (SSU) channels. The SSU has master mode in which this LSI outputs clocks as a master device for synchronous serial communication and slave mode in which clocks are input from an external device for synchronous serial communication. Synchronous serial communication can be performed with devices having different clock polarity and clock phase. Figure 14.1 is a block diagram of the SSU.

14.1 Features

- Choice of SSU mode and clock synchronous mode
- Choice of master mode and slave mode
- Choice of standard mode and bidirectional mode
- Synchronous serial communication with devices with different clock polarity and clock phase
- Choice of 8/16/32-bit width of transmit/receive data
- Full-duplex communication capability
The shift register is incorporated, enabling transmission and reception to be executed simultaneously.
- Consecutive serial communication
- Choice of LSB-first or MSB-first transfer
- Choice of a clock source
P ϕ /4, P ϕ /8, P ϕ /16, P ϕ /32, P ϕ /64, P ϕ /128, P ϕ /256, or an external clock
- Five interrupt sources
transmit-end, transmit-data-register-empty, receive-data-full, overrun-error, and conflict error
- Module stop mode can be set*

Note: * Module stop mode has usage notes. For details, see section 14.6.2, Note on Clearing Module Stop Mode.

Figure 14.1 shows a block diagram of the SSU.

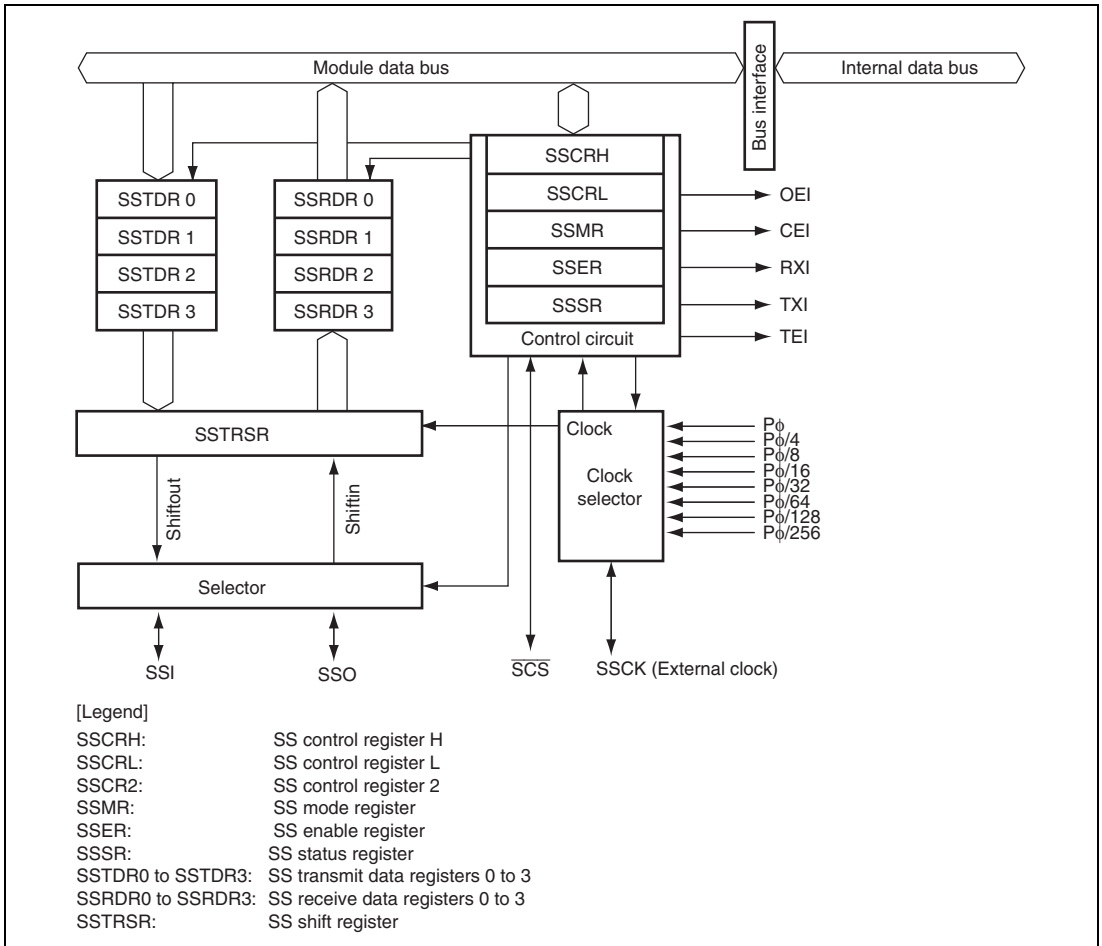


Figure 14.1 Block Diagram of SSU

14.2 Input/Output Pins

Table 14.1 shows the SSU pin configuration.

Table 14.1 Pin Configuration

Channel	Abbr.*	I/O	Function
0	SSCK0	I/O	Channel 0 SSU clock input/output
	SSI0	I/O	Channel 0 SSU data input/output
	SSO0	I/O	Channel 0 SSU data input/output
	$\overline{\text{SCS0}}$	I/O	Channel 0 SSU chip select input/output
1	SSCK1	I/O	Channel 1 SSU clock input/output
	SSI1	I/O	Channel 1 SSU data input/output
	SSO1	I/O	Channel 1 SSU data input/output
	$\overline{\text{SCS1}}$	I/O	Channel 1 SSU chip select input/output
2	SSCK2	I/O	Channel 2 SSU clock input/output
	SSI2	I/O	Channel 2 SSU data input/output
	SSO2	I/O	Channel 2 SSU data input/output
	$\overline{\text{SCS2}}$	I/O	Channel 2 SSU chip select input/output

Note: * Because channel numbers are omitted in later descriptions, these are shown SSCK, SSI, SSO, and $\overline{\text{SCS}}$.

14.3 Register Descriptions

The SSU has the following registers.

Channel 0:

- SS control register H_0 (SSCRH_0)
- SS control register L_0 (SSCRL_0)
- SS mode register_0 (SSMR_0)
- SS enable register_0 (SSER_0)
- SS status register_0 (SSSR_0)
- SS control register 2_0 (SSCR2_0)
- SS transmit data register 0_0 (SSTD0_0)
- SS transmit data register 1_0 (SSTD1_0)
- SS transmit data register 2_0 (SSTD2_0)
- SS transmit data register 3_0 (SSTD3_0)
- SS receive data register 0_0 (SSRD0_0)
- SS receive data register 1_0 (SSRD1_0)
- SS receive data register 2_0 (SSRD2_0)
- SS receive data register 3_0 (SSRD3_0)
- SS shift register_0 (SSTRSR_0)

Channel 1:

- SS control register H_1 (SSCRH_1)
- SS control register L_1 (SSCRL_1)
- SS mode register_1 (SSMR_1)
- SS enable register_1 (SSER_1)
- SS status register_1 (SSSR_1)
- SS control register 2_1 (SSCR2_1)
- SS transmit data register 0_1 (SSTDR0_1)
- SS transmit data register 1_1 (SSTDR1_1)
- SS transmit data register 2_1 (SSTDR2_1)
- SS transmit data register 3_1 (SSTDR3_1)
- SS receive data register 0_1 (SSRDR0_1)
- SS receive data register 1_1 (SSRDR1_1)
- SS receive data register 2_1 (SSRDR2_1)
- SS receive data register 3_1 (SSRDR3_1)
- SS shift register_1 (SSTRSR_1)

Channel 2:

- SS control register H_2 (SSCRH_2)
- SS control register L_2 (SSCRL_2)
- SS mode register_2 (SSMR_2)
- SS enable register_2 (SSER_2)
- SS status register_2 (SSSR_2)
- SS control register 2_2 (SSCR2_2)
- SS transmit data register 0_2 (SSTDR0_2)
- SS transmit data register 1_2 (SSTDR1_2)
- SS transmit data register 2_2 (SSTDR2_2)
- SS transmit data register 3_2 (SSTDR3_2)
- SS receive data register 0_2 (SSRDR0_2)
- SS receive data register 1_2 (SSRDR1_2)
- SS receive data register 2_2 (SSRDR2_2)
- SS receive data register 3_2 (SSRDR3_2)
- SS shift register_2 (SSTRSR_2)

14.3.1 SS Control Register H (SSCRH)

SSCRH specifies master/slave device selection, bidirectional mode enable, SSO pin output value selection, SSCK pin selection, and $\overline{\text{SCS}}$ pin selection.

Bit	7	6	5	4	3	2	1	0
Bit Name	MSS	BIDE	—	SOL	SOLP	SCKS	CSS1	CSS0
Initial Value	0	0	0	0	1	0	0	0
R/W	R/W	R/W	R/W	R/W	R/W	R/W	R/W	R/W

Bit	Bit Name	Initial Value	R/W	Description
7	MSS	0	R/W	Master/Slave Device Select Selects that this module is used in master mode or slave mode. When master mode is selected, transfer clocks are output from the SSCK pin. When the CE bit in SSSR is set, this bit is automatically cleared. 0: Slave mode is selected. 1: Master mode is selected.
6	BIDE	0	R/W	Bidirectional Mode Enable Selects that both serial data input pin and output pin are used or one of them is used. However, transmission and reception are not performed simultaneously when bidirectional mode is selected. For details, section 14.4.3, Relationship between Data Input/Output Pins and Shift Register. 0: Standard mode (two pins are used for data input and output) 1: Bidirectional mode (one pin is used for data input and output)
5	—	0	R/W	Reserved This bit is always read as 0. The write value should always be 0.

Bit	Bit Name	Initial Value	R/W	Description
4	SOL	0	R/W	<p>Serial Data Output Value Select</p> <p>The serial data output retains its level of the last bit after completion of transmission. The output level before or after transmission can be specified by setting this bit. When specifying the output level, use the MOV instruction after clearing the SOLP bit to 0. Since writing to this bit during data transmission causes malfunctions, this bit should not be changed.</p> <p>0: Serial data output is changed to low. 1: Serial data output is changed to high.</p>
3	SOLP	1	R/W	<p>SOL Bit Write Protect</p> <p>When changing the output level of serial data, set the SOL bit to 1 or clear the SOL bit to 0 after clearing the SOLP bit to 0 using the MOV instruction.</p> <p>0: Output level can be changed by the SOL bit 1: Output level cannot be changed by the SOL bit. This bit is always read as 1.</p>
2	SCKS	0	R/W	<p>SSCK Pin Select</p> <p>Selects that the SSCK pin functions as a port or a serial clock pin. When the SSCK pin is used as a serial clock pin, this bit must be set to 1.</p> <p>0: Functions as an I/O port. 1: Functions as a serial clock.</p>
1	CSS1	0	R/W	<p>$\overline{\text{SCS}}$ Pin Select</p>
0	CSS0	0	R/W	<p>Select that the $\overline{\text{SCS}}$ pin functions as a port or $\overline{\text{SCS}}$ input or output. However, when MSS = 0, the $\overline{\text{SCS}}$ pin functions as an input pin regardless of the CSS1 and CSS0 settings.</p> <p>00: I/O port 01: Function as $\overline{\text{SCS}}$ input 10: Function as $\overline{\text{SCS}}$ automatic input/output (function as $\overline{\text{SCS}}$ input before and after transfer and output a low level during transfer) 11: Function as $\overline{\text{SCS}}$ automatic output (outputs a high level before and after transfer and outputs a low level during transfer)</p>

14.3.2 SS Control Register L (SSCRL)

SSCRL selects operating mode, software reset, and transmit/receive data length.

Bit	7	6	5	4	3	2	1	0
Bit Name	—	SSUMS	SRES	—	—	—	DATS1	DATS0
Initial Value	0	0	0	0	0	0	0	0
R/W	R/W	R/W	R/W	R/W	R/W	R/W	R/W	R/W

Bit	Bit Name	Initial Value	R/W	Description
7	—	0	R/W	Reserved This bit is always read as 0. The write value should always be 0.
6	SSUMS	0	R/W	Selects transfer mode from SSU mode and clock synchronous mode. 0: SSU mode 1: Clock synchronous mode
5	SRES	0	R/W	Software Reset Setting this bit to 1 forcibly resets the SSU internal sequencer. After that, this bit is automatically cleared. The ORER, TEND, TDRE, RDRF, and CE bits in SSSR and the TE and RE bits in SSER are also initialized. Values of other bits for SSU registers are held. To stop transfer, set this bit to 1 to reset the SSU internal sequencer.
4 to 2	—	All 0	R/W	Reserved These bits are always read as 0. The write value should always be 0.
1	DATS1	0	R/W	Transmit/Receive Data Length Select
0	DATS0	0	R/W	Select serial data length. 00: 8 bits 01: 16 bits 10: 32 bits 11: Setting prohibited

14.3.3 SS Mode Register (SSMR)

SSMR selects the MSB first/LSB first, clock polarity, clock phase, and clock rate of synchronous serial communication.

Bit	7	6	5	4	3	2	1	0
Bit Name	MLS	CPOS	CPHS	—	—	CKS2	CKS1	CKS0
Initial Value	0	0	0	0	0	0	0	0
R/W	R/W	R/W	R/W	R/W	R/W	R/W	R/W	R/W

Bit	Bit Name	Initial Value	R/W	Description
7	MLS	0	R/W	MSB First/LSB First Select Selects that the serial data is transmitted in MSB first or LSB first. 0: LSB first 1: MSB first
6	CPOS	0	R/W	Clock Polarity Select Selects the SSCK clock polarity. 0: High output in idle mode, and low output in active mode 1: Low output in idle mode, and high output in active mode
5	CPHS	0	R/W	Clock Phase Select (Only for SSU Mode) Selects the SSCK clock phase. 0: Data changes at the first edge. 1: Data is latched at the first edge.
4, 3	—	All 0	R/W	Reserved These bits are always read as 0. The write value should always be 0.

Bit	Bit Name	Initial Value	R/W	Description
2	CKS2	0	R/W	Transfer Clock Rate Select
1	CKS1	0	R/W	Select the transfer clock rate (prescaler division rate) when an internal clock is selected.
0	CKS0	0	R/W	000: Reserved 001: P ϕ /4 010: P ϕ /8 011: P ϕ /16 100: P ϕ /32 101: P ϕ /64 110: P ϕ /128 111: P ϕ /256

14.3.4 SS Enable Register (SSER)

SSER performs transfer/receive control of synchronous serial communication and setting of interrupt enable.

Bit	7	6	5	4	3	2	1	0
Bit Name	TE	RE	—	—	TEIE	TIE	RIE	CEIE
Initial Value	0	0	0	0	0	0	0	0
R/W	R/W	R/W	R/W	R/W	R/W	R/W	R/W	R/W

Bit	Bit Name	Initial Value	R/W	Description
7	TE	0	R/W	Transmit Enable When this bit is set to 1, transmission is enabled.
6	RE	0	R/W	Receive Enable When this bit is set to 1, reception is enabled.
5, 4	—	All 0	R/W	Reserved These bits are always read as 0. The write value should always be 0.
3	TEIE	0	R/W	Transmit End Interrupt Enable When this bit is set to 1, a TEI interrupt request is enabled.

Bit	Bit Name	Initial Value	R/W	Description
2	TIE	0	R/W	Transmit Interrupt Enable When this bit is set to 1, a TXI interrupt request is enabled.
1	RIE	0	R/W	Receive Interrupt Enable When this bit is set to 1, an RXI interrupt request and an OEI interrupt request are enabled.
0	CEIE	0	R/W	Conflict Error Interrupt Enable When this bit is set to 1, a CEI interrupt request is enabled.

14.3.5 SS Status Register (SSSR)

SSSR is a status flag register for interrupts.

Bit	7	6	5	4	3	2	1	0
Bit Name	—	ORER	—	—	TEND	TDRE	RDRF	CE
Initial Value	0	0	0	0	0	1	0	0
R/W	R/W	R/W	R/W	R/W	R/W	R/W	R/W	R/W

Bit	Bit Name	Initial Value	R/W	Description
7	—	0	—	Reserved This bit is always read as 0. The write value should always be 0.

Bit	Bit Name	Initial Value	R/W	Description
6	ORER	0	R/W	<p>Overrun Error</p> <p>If the next data is received while RDRF = 1, an overrun error occurs, indicating abnormal termination. SSRDR stores 1-frame receive data before an overrun error occurs and loses data to be received later. While ORER = 1, consecutive serial reception cannot be continued. Serial transmission cannot be continued, either.</p> <p>[Setting condition]</p> <ul style="list-style-type: none"> When one byte of the next reception is completed with RDRF = 1 <p>[Clearing condition]</p> <ul style="list-style-type: none"> When writing 0 after reading ORER = 1 (When the CPU is used to clear this flag by writing 0 while the corresponding interrupt is enabled, be sure to read the flag after writing 0 to it.)
5, 4	—	All 0	R/W	<p>Reserved</p> <p>These bits are always read as 0. The write value should always be 0.</p>
3	TEND	1	R	<p>Transmit End</p> <p>[Setting condition]</p> <ul style="list-style-type: none"> When the last bit of transmit data is transmitted while the TENDSTS bit in SSCR2 is cleared to 0 and the TDRE bit is set to 1 After the last bit of transmit data is transmitted while the TENDSTS bit in SSCR2 is set to 1 and the TDRE bit is set to 1 <p>[Clearing conditions]</p> <ul style="list-style-type: none"> When writing 0 after reading TEND = 1 (When the CPU is used to clear this flag by writing 0 while the corresponding interrupt is enabled, be sure to read the flag after writing 0 to it.) When writing data to SSTDR

Bit	Bit Name	Initial Value	R/W	Description
2	TDRE	1	R/W	<p>Transmit Data Empty</p> <p>Indicates whether or not SSTDR contains transmit data.</p> <p>[Setting conditions]</p> <ul style="list-style-type: none"> • When the TE bit in SSER is 0 • When data is transferred from SSTDR to SSTRSR and SSTDR is ready to be written to. <p>[Clearing conditions]</p> <ul style="list-style-type: none"> • When writing 0 after reading TDRE = 1 (When the CPU is used to clear this flag by writing 0 while the corresponding interrupt is enabled, be sure to read the flag after writing 0 to it.) • When writing data to SSTDR with TE = 1
1	RDRF	0	R/W	<p>Receive Data Register Full</p> <p>Indicates whether or not SSRDR contains receive data.</p> <p>[Setting condition]</p> <ul style="list-style-type: none"> • When receive data is transferred from SSTRSR to SSRDR after successful serial data reception <p>[Clearing conditions]</p> <ul style="list-style-type: none"> • When writing 0 after reading RDRF = 1 (When the CPU is used to clear this flag by writing 0 while the corresponding interrupt is enabled, be sure to read the flag after writing 0 to it.) • When reading receive data from SSRDR

Bit	Bit Name	Initial Value	R/W	Description
0	CE	0	R/W	<p>Conflict/Incomplete Error</p> <p>Indicates that a conflict error has occurred when 0 is externally input to the $\overline{\text{SCS}}$ pin with SSUMS = 0 (SSU mode) and MSS = 1 (master mode).</p> <p>If the $\overline{\text{SCS}}$ pin level changes to 1 with SSUMS = 0 (SSU mode) and MSS = 0 (slave mode), an incomplete error occurs because it is determined that a master device has terminated the transfer. Data reception does not continue while the CE bit is set to 1. Serial transmission also does not continue. Reset the SSU internal sequencer by setting the SRES bit in SSCRL to 1 before resuming transfer after incomplete error.</p> <p>[Setting condition]</p> <ul style="list-style-type: none"> • When a low level is input to the $\overline{\text{SCS}}$ pin in master mode (the MSS bit in SSCRH is set to 1) • When the $\overline{\text{SCS}}$ pin is changed to 1 during transfer in slave mode (the MSS bit in SSCRH is cleared to 0) <p>[Clearing condition]</p> <ul style="list-style-type: none"> • When writing 0 after reading CE = 1 <p>(When the CPU is used to clear this flag by writing 0 while the corresponding interrupt is enabled, be sure to read the flag after writing 0 to it.)</p>

14.3.6 SS Control Register 2 (SSCR2)

SSCR2 is a register that enables/disables the open-drain outputs of the SSO, SSI, SSCK, and $\overline{\text{SCS}}$ pins, selects the assert timing of the $\overline{\text{SCS}}$ pin, data output timing of the SSO pin, and set timing of the TEND bit.

Bit	7	6	5	4	3	2	1	0
Bit Name	SDOS	SSCKOS	SCSOS	TENDSTS	SCSATS	SSODTS	—	—
Initial Value	0	0	0	0	0	0	0	0
R/W	R/W	R/W	R/W	R/W	R/W	R/W	R/W	R/W

Bit	Bit Name	Initial Value	R/W	Description
7	SDOS	0	R/W	<p>Serial Data Pin Open Drain Select</p> <p>Selects whether the serial data output pin is used as a CMOS or an NMOS open drain output. Pins to output serial data differ according to the register setting. For details, 14.4.3, Relationship between Data Input/Output Pins and Shift Register.</p> <p>0: CMOS output</p> <p>1: NMOS open drain output</p>
6	SSCKOS	0	R/W	<p>SSCK Pin Open Drain Select</p> <p>Selects whether the SSCK pin is used as a CMOS or an NMOS open drain output.</p> <p>0: CMOS output</p> <p>1: NMOS open drain output</p>
5	SCSOS	0	R/W	<p>$\overline{\text{SCS}}$ Pin Open Drain Select</p> <p>Selects whether the $\overline{\text{SCS}}$ pin is used as a CMOS or an NMOS open drain output.</p> <p>0: CMOS output</p> <p>1: NMOS open drain output</p>
4	TENDSTS	0	R/W	<p>Selects the timing of setting the TEND bit (valid in SSU and master mode).</p> <p>0: Sets the TEND bit when the last bit is being transmitted</p> <p>1: Sets the TEND bit after the last bit is transmitted</p>

Bit	Bit Name	Initial Value	R/W	Description
3	SCSATS	0	R/W	<p>Selects the assertion timing of the $\overline{\text{SCS}}$ pin (valid in SSU and master mode).</p> <p>0: Min. values of t_{LEAD} and t_{LAG} are $1/2 \times t_{\text{SUcyc}}$</p> <p>1: Min. values of t_{LEAD} and t_{LAG} are $3/2 \times t_{\text{SUcyc}}$</p>
2	SSODTS	0	R/W	<p>Selects the data output timing of the SSO pin (valid in SSU and master mode)</p> <p>0: While BIDE = 0, MSS = 1, and TE = 1 or while BIDE = 1, TE = 1, and RE = 0, the SSO pin outputs data</p> <p>1: While BIDE = 0, MSS = 1, and TE = 1 or while BIDE = 1, TE = 1, and RE = 0, the SSO pin outputs data while the SCS pin is driven low</p>
1, 0	—	All 0	R/W	<p>Reserved</p> <p>These bits are always read as 0. The write value should always be 0.</p>

14.3.7 SS Transmit Data Registers 0 to 3 (SSTDR0 to SSTDR3)

SSTDR is an 8-bit register that stores transmit data. When 8-bit data length is selected by bits DATS1 and DATS0 in SSCRL, SSTDR0 is valid. When 16-bit data length is selected, SSTDR0 and SSTDR1 are valid. When 32-bit data length is selected, SSTDR0 to SSTDR3 are valid. Be sure not to access invalid SSTDRs.

When the SSU detects that SSTRSR is empty, it transfers the transmit data written in SSTDR to SSTRSR and starts serial transmission. If the next transmit data has already been written to SSTDR during serial transmission, the SSU performs consecutive serial transmission.

Although SSTDR can always be read from or written to by the CPU, DTC, or DMAC, to achieve reliable serial transmission, write transmit data to SSTDR after confirming that the TDRE bit in SSSR is set to 1.

Bit	7	6	5	4	3	2	1	0
Bit Name								
Initial Value	0	0	0	0	0	0	0	0
R/W	R/W	R/W	R/W	R/W	R/W	R/W	R/W	R/W
Bit	7	6	5	4	3	2	1	0
Bit Name								
Initial Value	0	0	0	0	0	0	0	0
R/W	R/W	R/W	R/W	R/W	R/W	R/W	R/W	R/W
Bit	7	6	5	4	3	2	1	0
Bit Name								
Initial Value	0	0	0	0	0	0	0	0
R/W	R/W	R/W	R/W	R/W	R/W	R/W	R/W	R/W
Bit	7	6	5	4	3	2	1	0
Bit Name								
Initial Value	0	0	0	0	0	0	0	0
R/W	R/W	R/W	R/W	R/W	R/W	R/W	R/W	R/W

Table 14.2 Correspondence Between DATS Bit Setting and SSTDR

SSTDR	DATS[1:0] (SSCRL[1:0])			
	00	01	10	11 (Setting Invalid)
0	Valid	Valid	Valid	Invalid
1	Invalid	Valid	Valid	Invalid
2	Invalid	Invalid	Valid	Invalid
3	Invalid	Invalid	Valid	Invalid

14.3.8 SS Receive Data Registers 0 to 3 (SSRDR0 to SSRDR3)

SSRDR is an 8-bit register that stores receive data. When 8-bit data length is selected by bits DATS1 and DATS0 in SSCRL, SSRDR0 is valid. When 16-bit data length is selected, SSRDR0 and SSRDR1 are valid. When 32-bit data length is selected, SSRDR0 to SSRDR3 are valid. Be sure not to access invalid SSRDRs.

When the SSU has received 1-byte data, it transfers the received serial data from SSTRSR to SSRDR where it is stored. After this, SSTRSR is ready for reception. Since SSTRSR and SSRDR function as a double buffer in this way, consecutive receive operations can be performed.

Read SSRDR after confirming that the RDRF bit in SSSR is set to 1.

SSRDR is a read-only register, therefore, cannot be written to by the CPU.

Bit	7	6	5	4	3	2	1	0
Bit Name								
Initial Value	0	0	0	0	0	0	0	0
R/W	R	R	R	R	R	R	R	R
Bit	7	6	5	4	3	2	1	0
Bit Name								
Initial Value	0	0	0	0	0	0	0	0
R/W	R	R	R	R	R	R	R	R
Bit	7	6	5	4	3	2	1	0
Bit Name								
Initial Value	0	0	0	0	0	0	0	0
R/W	R	R	R	R	R	R	R	R
Bit	7	6	5	4	3	2	1	0
Bit Name								
Initial Value	0	0	0	0	0	0	0	0
R/W	R	R	R	R	R	R	R	R

Table 14.3 Correspondence Between DATS Bit Setting and SSRDR

SSRDR	DATS[1:0] (SSCRL[1:0])			
	00	01	10	11 (Setting Invalid)
0	Valid	Valid	Valid	Invalid
1	Invalid	Valid	Valid	Invalid
2	Invalid	Invalid	Valid	Invalid
3	Invalid	Invalid	Valid	Invalid

14.3.9 SS Shift Register (SSTRSR)

SSTRSR is a shift register that transmits and receives serial data.

When data is transferred from SSTDR to SSTRSR, bit 0 of transmit data is bit 0 in the SSTDR contents (MLS = 0: LSB first communication) and is bit 7 in the SSTDR contents (MLS = 1: MSB first communication). The SSU transfers data from the LSB (bit 0) in SSTRSR to the SSO pin to perform serial data transmission.

In reception, the SSU sets serial data that has been input via the SSI pin in SSTRSR from the LSB (bit 0). When 1-byte data has been received, the SSTRSR contents are automatically transferred to SSRDR. SSTRSR cannot be directly accessed by the CPU.

14.4 Operation

14.4.1 Transfer Clock

A transfer clock can be selected from eight internal clocks and an external clock. When using this module, set the SCKS bit in SSCRH to 1 to select the SSCK pin as a serial clock. When the MSS bit in SSCRH is 1, an internal clock is selected and the SSCK pin is used as an output pin. When transfer is started, the clock with the transfer rate set by bits CKS2 to CKS0 in SSMR is output from the SSCK pin. When MSS = 0, an external clock is selected and the SSCK pin is used as an input pin.

14.4.2 Relationship of Clock Phase, Polarity, and Data

The relationship of clock phase, polarity, and transfer data depends on the combination of the CPOS and CPHS bits in SSMR. Figure 14.2 shows the relationship. When SSUMS = 1, the CPHS setting is invalid although the CPOS setting is valid.

Setting the MLS bit in SSMR selects that MSB or LSB first communication. When MLS = 0, data is transferred from the LSB to the MSB. When MLS = 1, data is transferred from the MSB to the LSB.

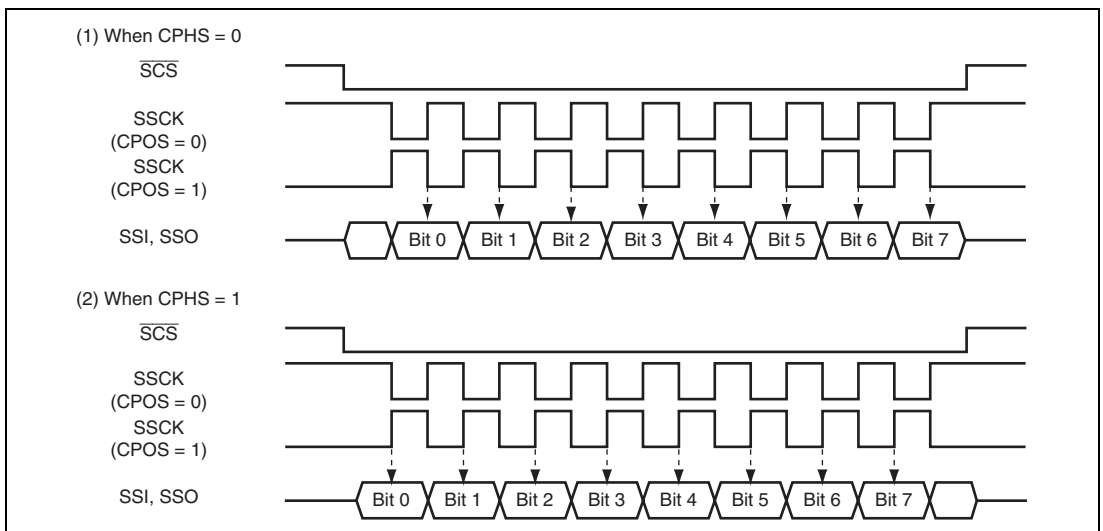


Figure 14.2 Relationship of Clock Phase, Polarity, and Data

14.4.3 Relationship between Data Input/Output Pins and Shift Register

The connection between data input/output pins and the SS shift register (SSTRSR) depends on the combination of the MSS and BIDE bits in SSCRH and the SSUMS bit in SSCRL. Figure 14.3 shows the relationship.

The SSU transmits serial data from the SSO pin and receives serial data from the SSI pin when operating with BIDE = 0 and MSS = 1 (standard, master mode) (see figure 14.3 (1)). The SSU transmits serial data from the SSI pin and receives serial data from the SSO pin when operating with BIDE = 0 and MSS = 0 (standard, slave mode) (see figure 14.3 (2)).

The SSU transmits and receives serial data from the SSO pin regardless of master or slave mode when operating with BIDE = 1 (bidirectional mode) (see figures 14.3 (3) and (4)).

However, even if both the TE and RE bits are set to 1, transmission and reception are not performed simultaneously. Either the TE or RE bit must be selected.

The SSU transmits serial data from the SSO pin and receives serial data from the SSI pin when operating with SSUMS = 1. The SCK pin outputs the internal clock when MSS = 1 and function as an input pin when MSS = 0 (see figures 14.3 (5) and (6)).

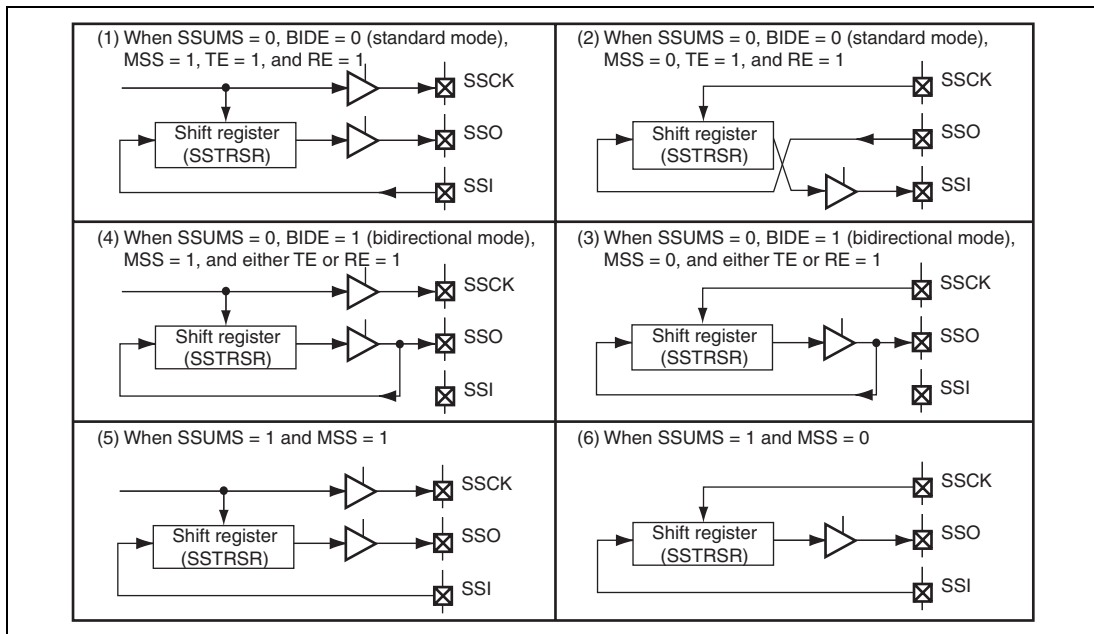


Figure 14.3 Relationship between Data Input/Output Pins and the Shift Register

14.4.4 Communication Modes and Pin Functions

The SSU switches the input/output pin (SSI, SSO, SSCK, and $\overline{\text{SCS}}$) functions according to the communication modes and register settings. When a pin is used as an input pin, set the corresponding bit in the input buffer control register (ICR) to 1. The relationship of communication modes and input/output pin functions are shown in tables 14.4 to 14.6.

Table 14.4 Communication Modes and Pin States of SSI and SSO Pins

Communication Mode	Register Setting					Pin State		
	SSUMS	BIDE	MSS	TE	RE	SSI	SSO	
SSU communication mode	0	0	0	0	1	—	Input	
				1	0	Output	—	
					1	Output	Input	
				1	0	1	Input	—
				1	0	—	Output	
				1	0	1	Input	Output
SSU (bidirectional) communication mode	0	1	0	0	1	—	Input	
				1	0	—	Output	
				1	0	1	—	Input
				1	0	—	Output	
Clock synchronous communication mode	1	0	0	0	1	Input	—	
				1	0	—	Output	
					1	Input	Output	
				1	0	1	Input	—
				1	0	—	Output	
				1	0	1	Input	Output

[Legend]

—: Not used as SSU pin (can be used as I/O port)

Table 14.5 Communication Modes and Pin States of SCK Pin

Communication Mode	Register Setting			Pin State
	SSUMS	MSS	SCKS	SCK
SSU communication mode	0	0	0	—
			1	Input
		1	0	—
			1	Output
Clock synchronous communication mode	1	0	0	—
			1	Input
		1	0	—
			1	Output

[Legend]

—: Not used as SSU pin (can be used as I/O port)

Table 14.6 Communication Modes and Pin States of $\overline{\text{SCS}}$ Pin

Communication Mode	Register Setting				Pin State
	SSUMS	MSS	CSS1	CSS0	$\overline{\text{SCS}}$
SSU communication mode	0	0	×	×	Input
			1	0	0
		1	0	1	Input
			1	0	Automatic input/output
			1	1	Output
Clock synchronous communication mode	1	×	×	×	—

[Legend]

×: Don't care

—: Not used as SSU pin (can be used as I/O port)

14.4.5 SSU Mode

In SSU mode, data communications are performed via four lines: clock line (SSCK), data input line (SSI or SSO), data output line (SSI or SSO), and chip select line ($\overline{\text{SCS}}$).

In addition, the SSU supports bidirectional mode in which a single pin functions as data input and data output lines.

(1) Initial Settings in SSU Mode

Figure 14.4 shows an example of the initial settings in SSU mode. Before data transfer, clear both the TE and RE bits in SSER to 0 to set the initial values.

Note: Before changing operating modes and communications formats, clear both the TE and RE bits to 0. Although clearing the TE bit to 0 sets the TDRE bit to 1, clearing the RE bit to 0 does not change the values of the RDRF and ORER bits and SSRDR. Those bits retain the previous values.

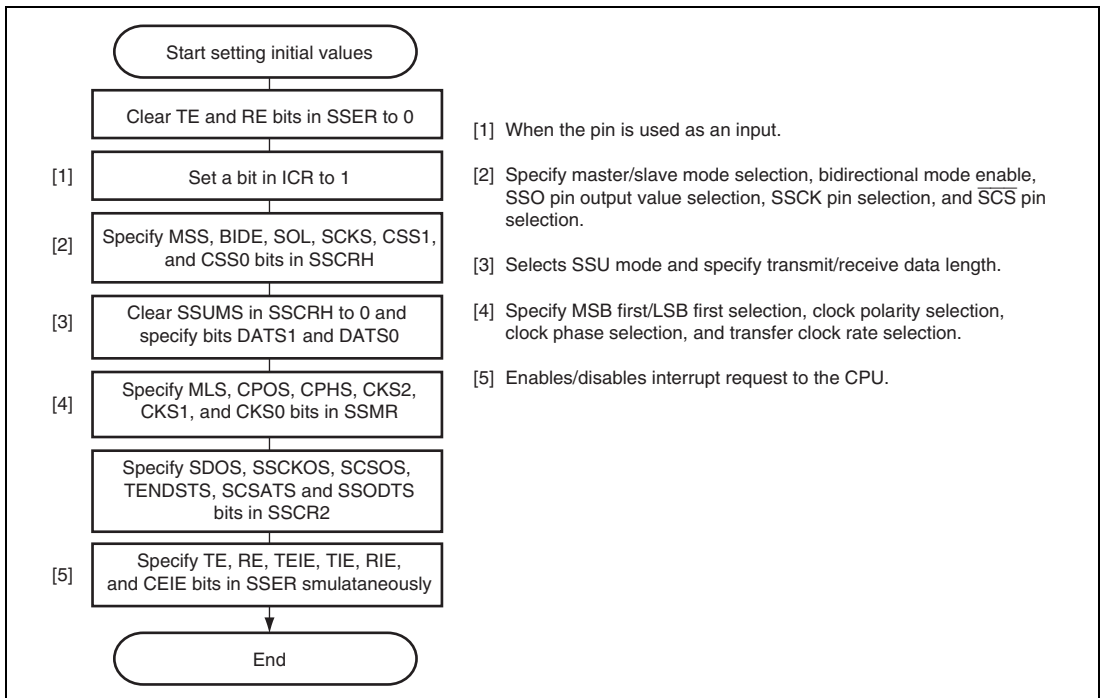


Figure 14.4 Example of Initial Settings in SSU Mode

(2) Data Transmission

Figure 14.5 shows an example of transmission operation, and figure 14.6 shows a flowchart example of data transmission.

When transmitting data, the SSU operates as shown below.

In master mode, the SSU outputs a transfer clock and data. In slave mode, when a low level signal is input to the \overline{SCS} pin and a transfer clock is input to the SSCK pin, the SSU outputs data in synchronization with the transfer clock.

Writing transmit data to SSTDR after the TE bit is set to 1 clears the TDRE bit in SSSR to 0, and the SSTDR contents are transferred to SSTRSR. After that, the SSU sets the TDRE bit to 1 and starts transmission. At this time, if the TIE bit in SSER is set to 1, a TXI interrupt is generated.

When 1-frame data has been transferred with TDRE = 0, the SSTDR contents are transferred to SSTRSR to start the next frame transmission. When the 8th bit of transmit data has been transferred with TDRE = 1, the TEND bit in SSSR is set to 1 and the state is retained. At this time, if the TEIE bit is set to 1, a TEI interrupt is generated. After transmission, the output level of the SSCK pin is fixed high when CPOS = 0 and low when CPOS = 1.

While the ORER bit in SSSR is set to 1, transmission is not performed. Check that the ORER bit is cleared to 0.

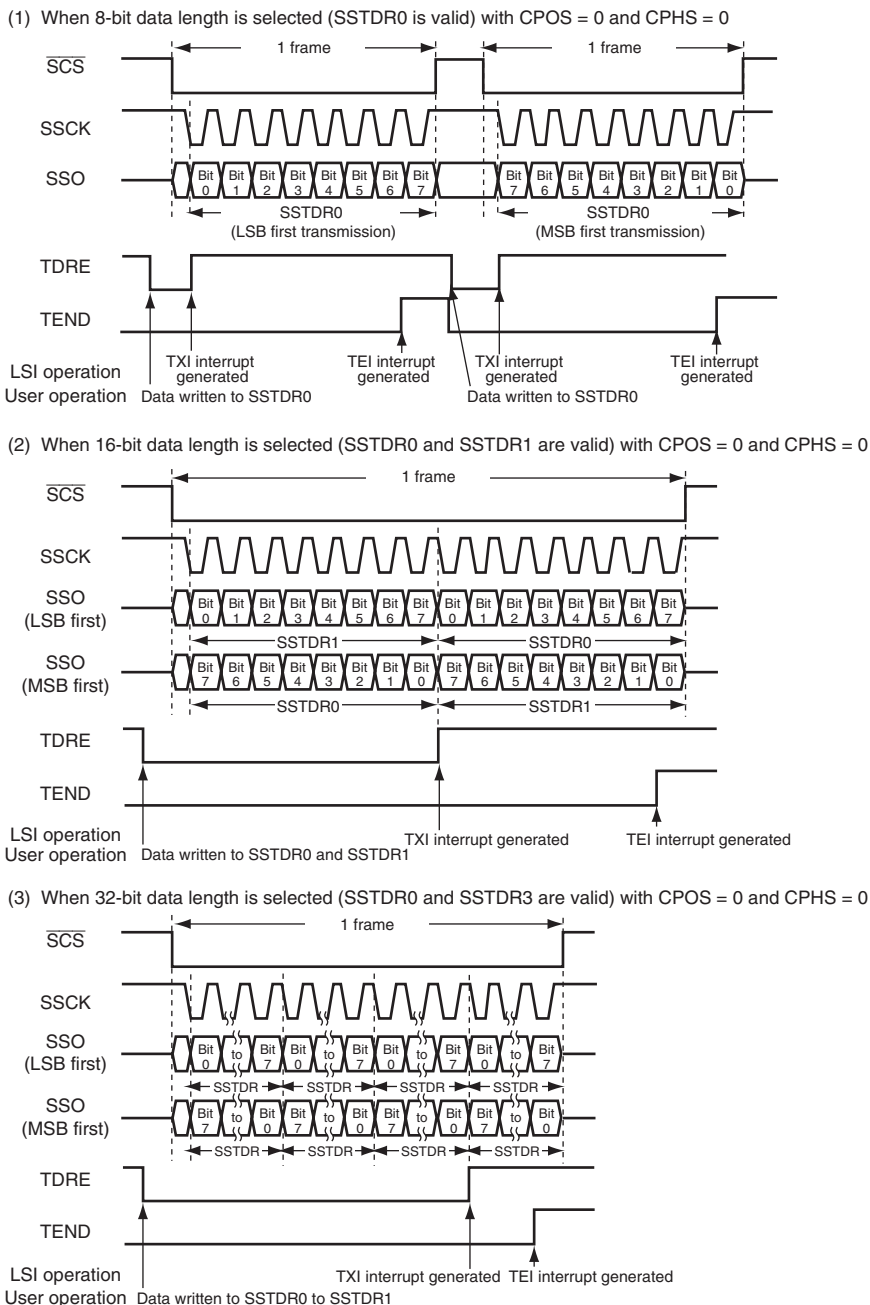


Figure 14.5 Example of Transmission Operation (SSU Mode)

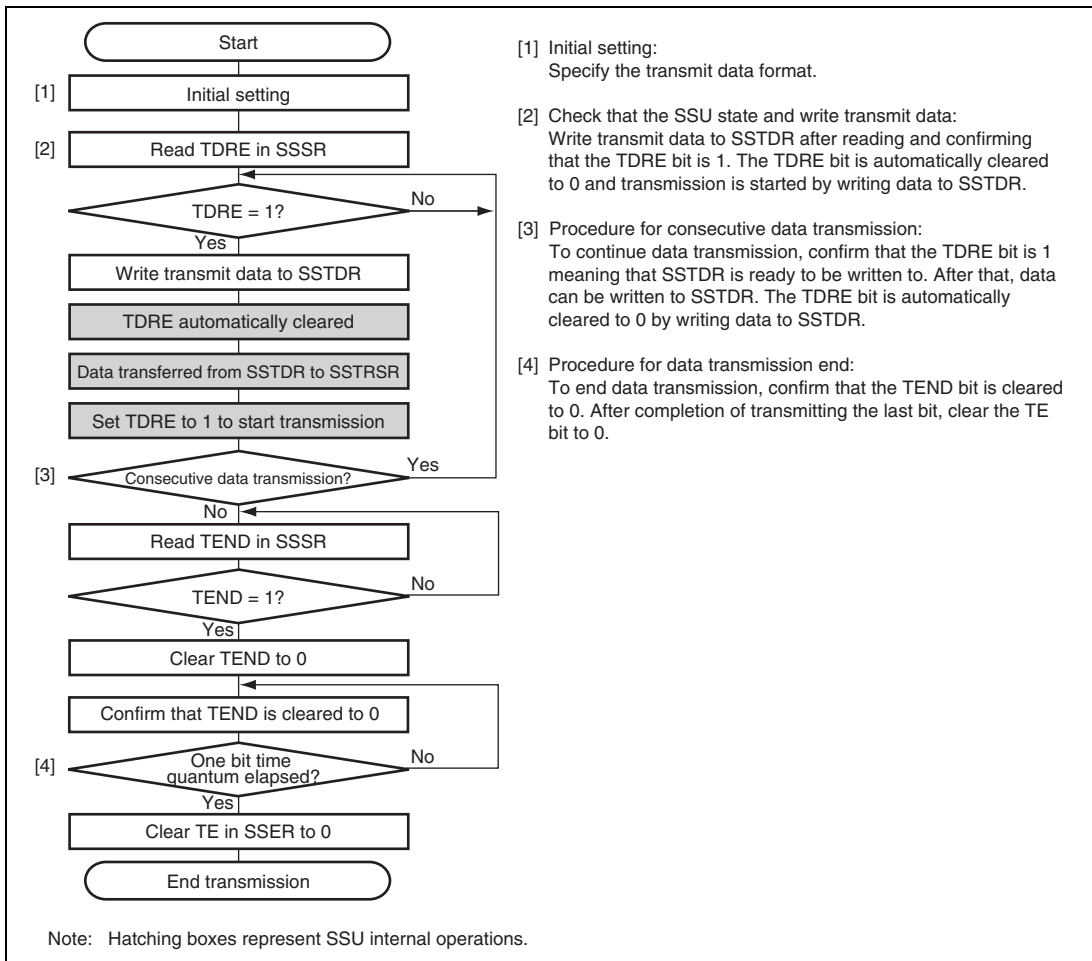


Figure 14.6 Flowchart Example of Data Transmission (SSU Mode)

(3) Data Reception

Figure 14.7 shows an example of reception operation, and figure 14.8 shows a flowchart example of data reception. When receiving data, the SSU operates as shown below.

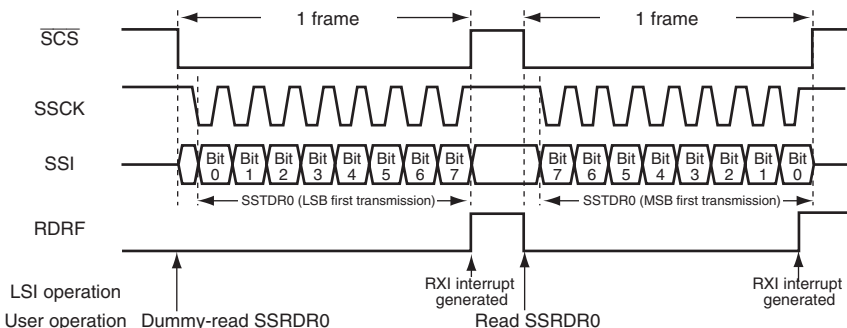
After setting the RE bit to 1 and dummy-reading SSRDR, the SSU starts data reception.

In master mode, the SSU outputs a transfer clock and receives data. In slave mode, when a low level signal is input to the \overline{SCS} pin and a transfer clock is input to the SSCK pin, the SSU receives data in synchronization with the transfer clock.

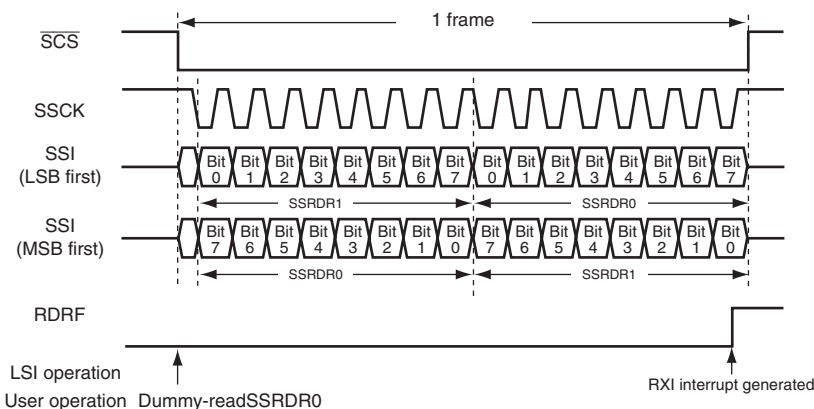
When 1-frame data has been received, the RDRF bit in SSSR is set to 1 and the receive data is stored in SSRDR. At this time, if the RIE bit in SSER is set to 1, an RXI interrupt is generated. The RDRF bit is automatically cleared to 0 by reading SSRDR.

When the RDRF bit has been set to 1 at the 8th rising edge of the transfer clock, the ORER bit in SSSR is set to 1. This indicates that an overrun error (OEI) has occurred. At this time, data reception is stopped. While the ORER bit in SSSR is set to 1, reception is not performed. To resume the reception, clear the ORER bit to 0.

(1) When 8-bit data length is selected (SSRDR0 is valid) with CPOS = 0 and CPHS = 0



(2) When 16-bit data length is selected (SSRDR0 and SSRDR1 are valid) with CPOS = 0 and CPHS = 0



(3) When 32-bit data length is selected (SSRDR0 to SSRDR3 are valid) with CPOS = 0 and CPHS = 0

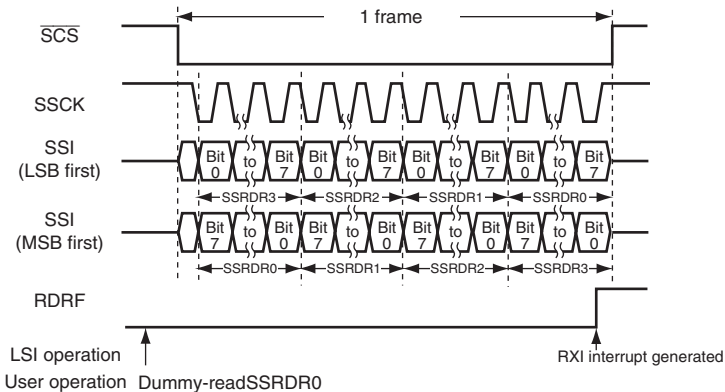
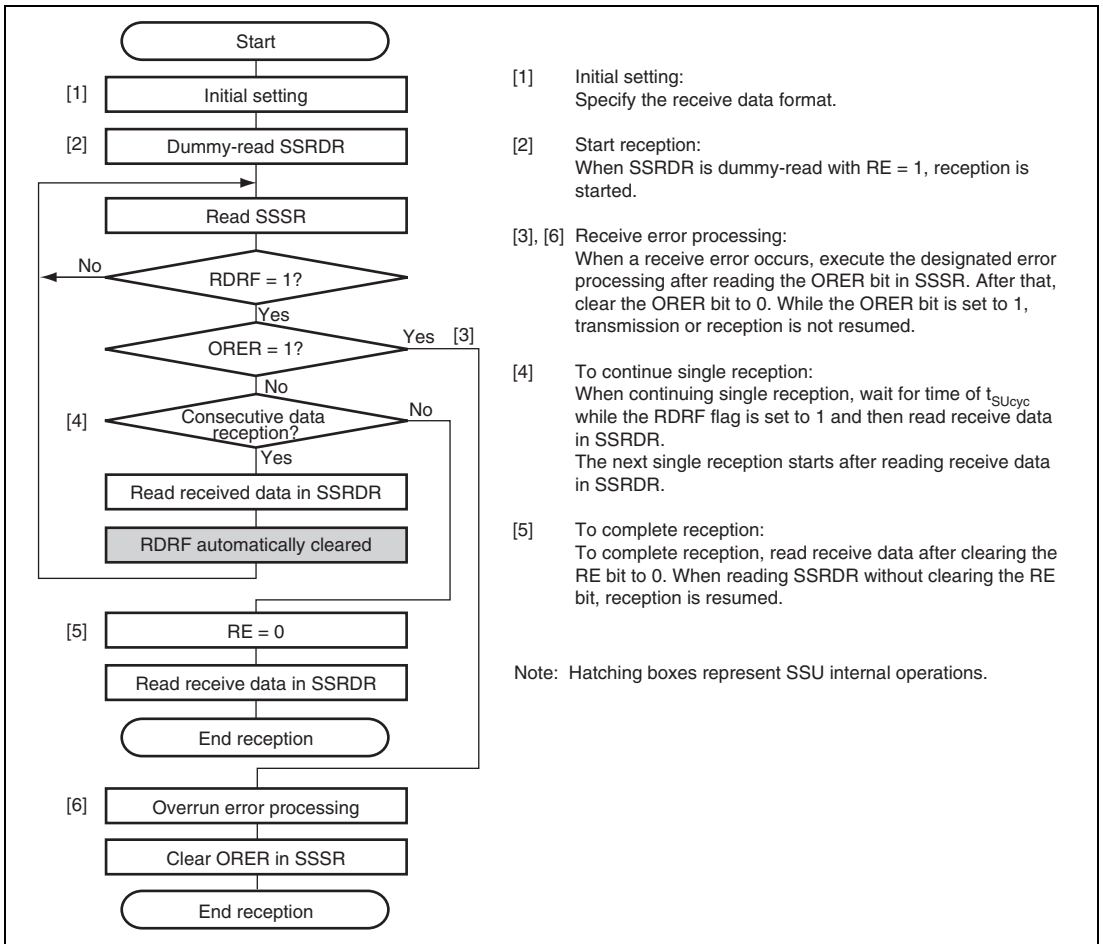


Figure 14.7 Example of Reception Operation (SSU Mode)



- [1] Initial setting:
Specify the receive data format.
- [2] Start reception:
When SSRDR is dummy-read with RE = 1, reception is started.
- [3], [6] Receive error processing:
When a receive error occurs, execute the designated error processing after reading the ORER bit in SSSR. After that, clear the ORER bit to 0. While the ORER bit is set to 1, transmission or reception is not resumed.
- [4] To continue single reception:
When continuing single reception, wait for time of t_{SUcyc} while the RDRF flag is set to 1 and then read receive data in SSRDR.
The next single reception starts after reading receive data in SSRDR.
- [5] To complete reception:
To complete reception, read receive data after clearing the RE bit to 0. When reading SSRDR without clearing the RE bit, reception is resumed.

Note: Hatching boxes represent SSU internal operations.

Figure 14.8 Flowchart Example of Data Reception (SSU Mode)

(4) Data Transmission/Reception

Figure 14.9 shows a flowchart example of simultaneous transmission/reception. The data transmission/reception is performed combining the data transmission and data reception as mentioned above. The data transmission/reception is started by writing transmit data to SSTDR with $TE = RE = 1$.

Before switching transmission mode ($TE = 1$) or reception mode ($RE = 1$) to transmission/reception mode ($TE = RE = 1$), clear the TE and RE bits to 0. When starting the transfer, confirm that the $TEND$, $RDRF$, and $ORER$ bits are cleared to 0 before setting the TE or RE bit to 1.

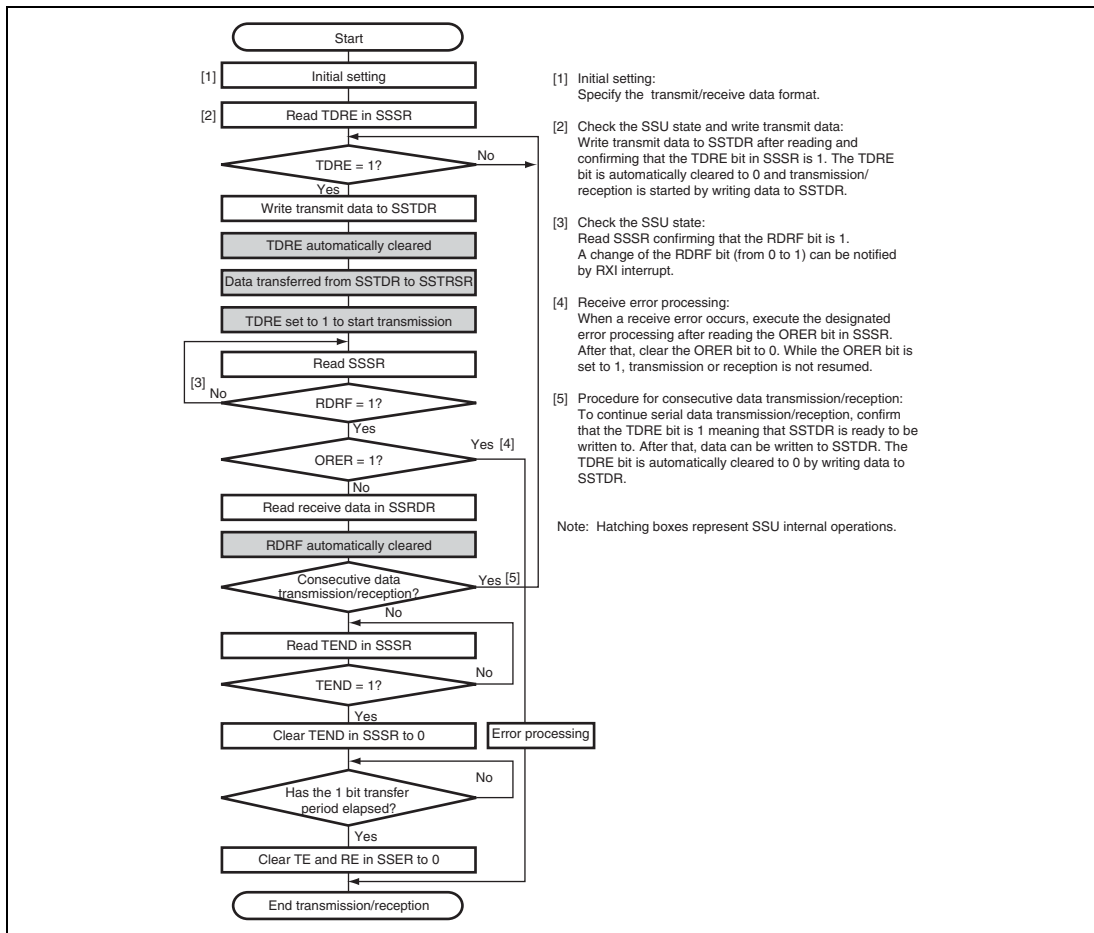


Figure 14.9 Flowchart Example of Simultaneous Transmission/Reception (SSU Mode)

14.4.6 $\overline{\text{SCS}}$ Pin Control and Conflict Error

When bits CSS1 and CSS0 in SSCRH are specified to B'10 and the SSUMS bit in SSCRL is cleared to 0, the $\overline{\text{SCS}}$ pin functions as an input (Hi-Z) to detect a conflict error. The conflict error detection period is from setting the MSS bit in SSCRH to 1 to starting serial transfer and after transfer ends. When a low level signal is input to the $\overline{\text{SCS}}$ pin within the period, a conflict error occurs. At this time, the CE bit in SSSR is set to 1 and the MSS bit is cleared to 0.

Note: While the CE bit is set to 1, transmission or reception is not resumed. Clear the CE bit to 0 before resuming the transmission or reception.

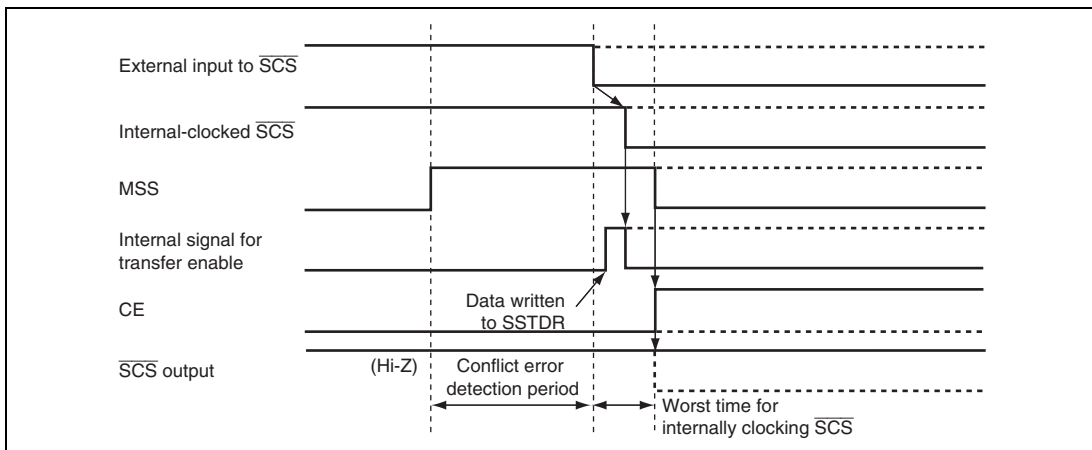


Figure 14.10 Conflict Error Detection Timing (Before Transfer)

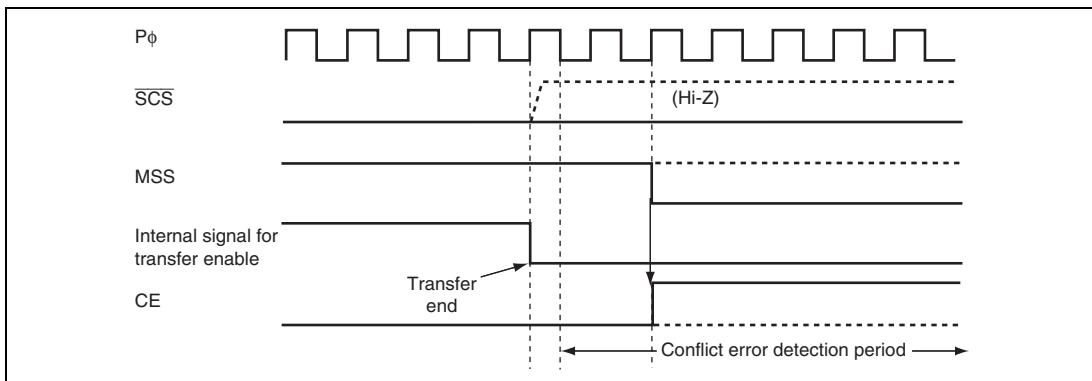


Figure 14.11 Conflict Error Detection Timing (After Transfer End)

14.4.7 Clock Synchronous Communication Mode

In clock synchronous communication mode, data communications are performed via three lines: clock line (SSCK), data input line (SSI), and data output line (SSO).

(1) Initial Settings in Clock Synchronous Communication Mode

Figure 14.12 shows an example of the initial settings in clock synchronous communication mode. Before data transfer, clear both the TE and RE bits in SSER to 0 to set the initial values.

Note: Before changing operating modes and communications formats, clear both the TE and RE bits to 0. Although clearing the TE bit to 0 sets the TDRE bit to 1, clearing the RE bit to 0 does not change the values of the RDRF and ORER bits and SSRDR. Those bits retain the previous values.

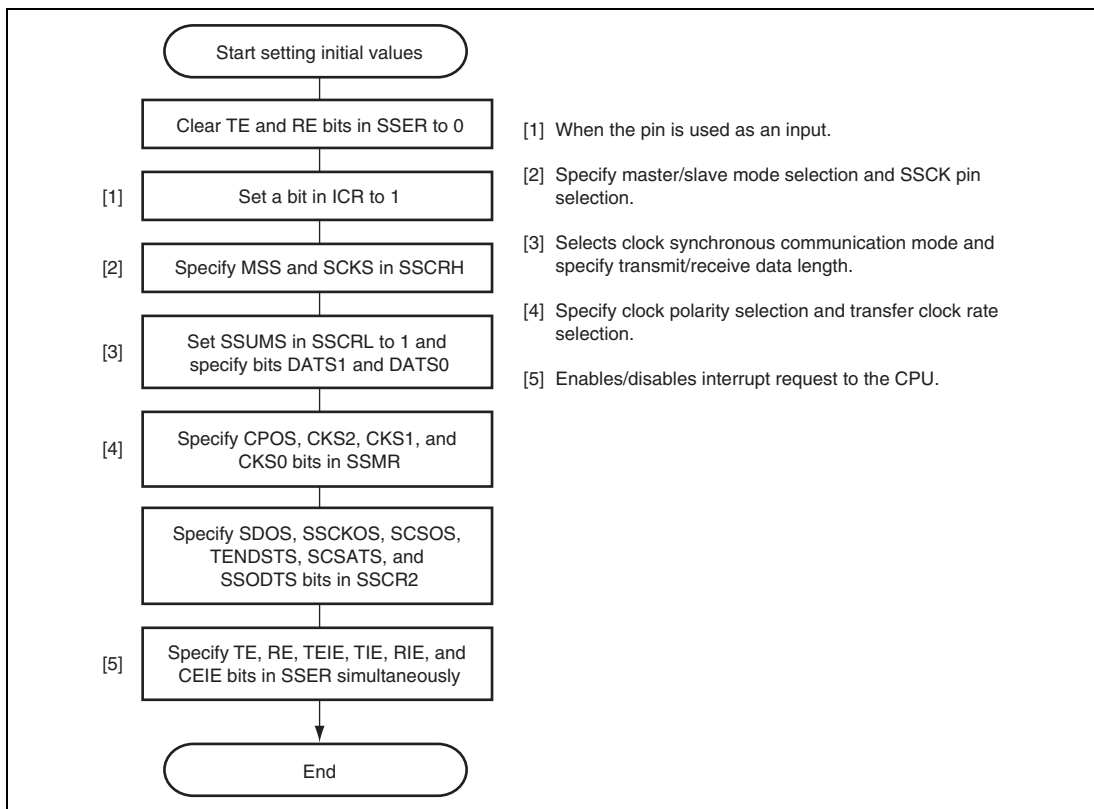


Figure 14.12 Example of Initial Settings in Clock Synchronous Communication Mode

(2) Data Transmission

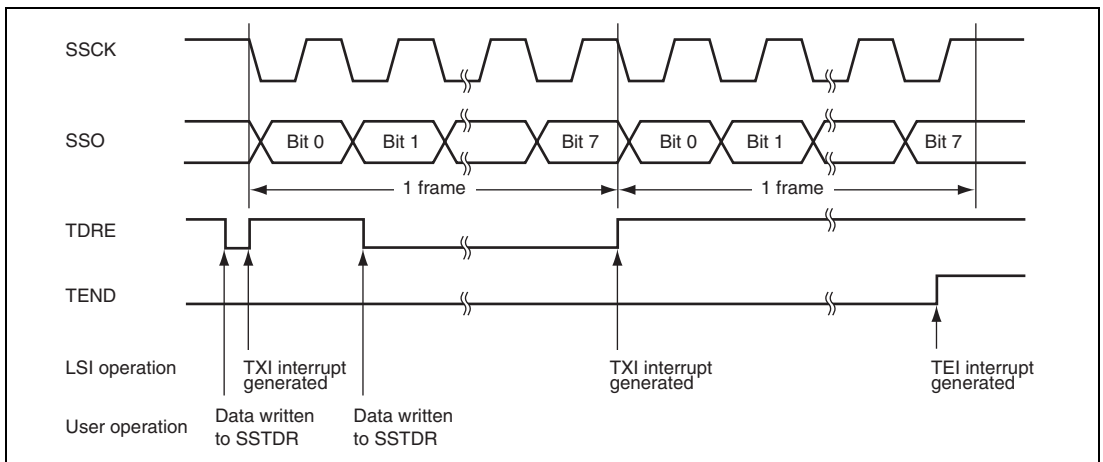
Figure 14.13 shows an example of transmission operation, and figure 14.14 shows a flowchart example of data transmission. When transmitting data in clock synchronous communication mode, the SSU operates as shown below.

In master mode, the SSU outputs a transfer clock and data. In slave mode, when a transfer clock is input to the SSCK pin, the SSU outputs data in synchronization with the transfer clock.

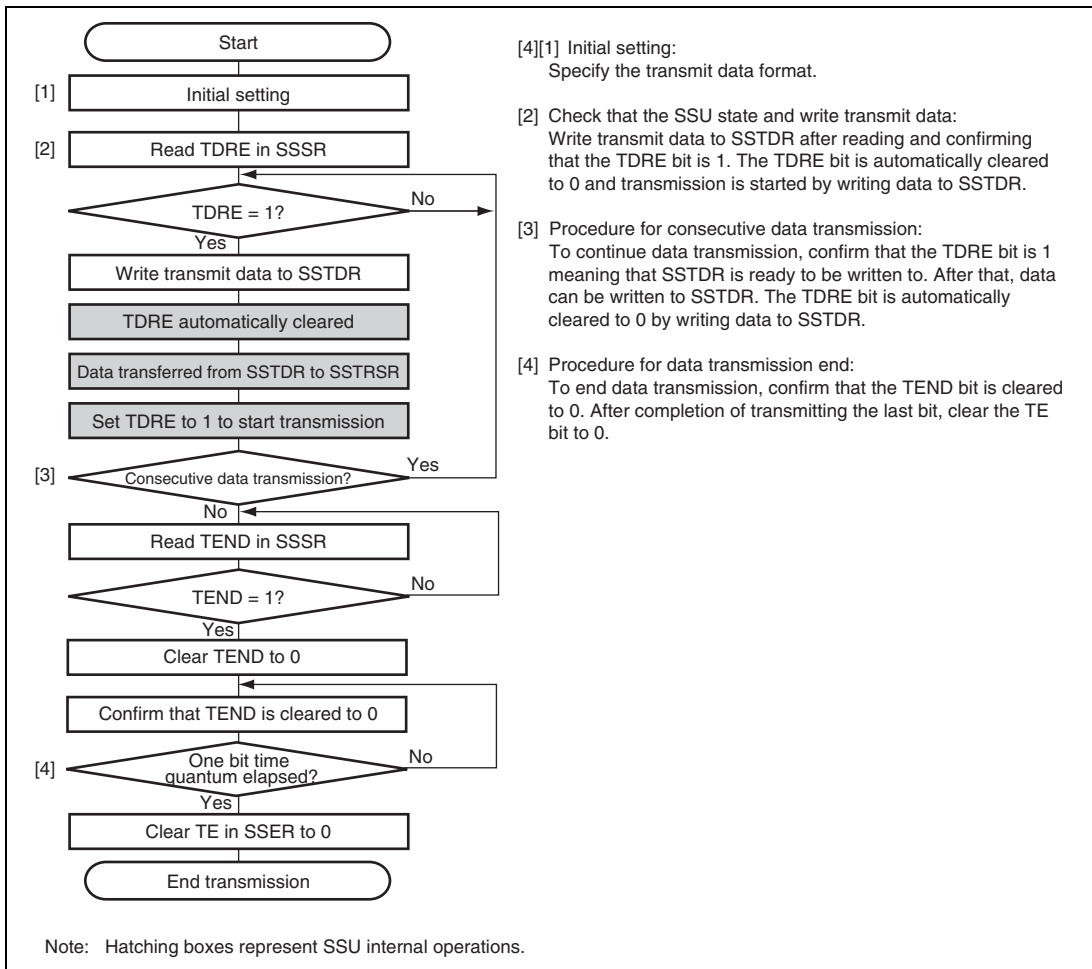
Writing transmit data to SSTDR after the TE bit is set to 1 clears the TDRE bit in SSSR to 0, and the SSTDR contents are transferred to SSTRSR. After that, the SSU sets the TDRE bit to 1 and starts transmission. At this time, if the TIE bit in SSER is set to 1, a TXI interrupt is generated.

When 1-frame data has been transferred with TDRE = 0, the SSTDR contents are transferred to SSTRSR to start the next frame transmission. When the 8th bit of transmit data has been transferred with TDRE = 1, the TEND bit in SSSR is set to 1 and the state is retained. At this time, if the TEIE bit is set to 1, a TEI interrupt is generated.

While the ORER bit in SSSR is set to 1, transmission is not performed. Check that the ORER bit is cleared to 0.



**Figure 14.13 Example of Transmission Operation
(Clock Synchronous Communication Mode)**



**Figure 14.14 Flowchart Example of Transmission Operation
(Clock Synchronous Communication Mode)**

(3) Data Reception

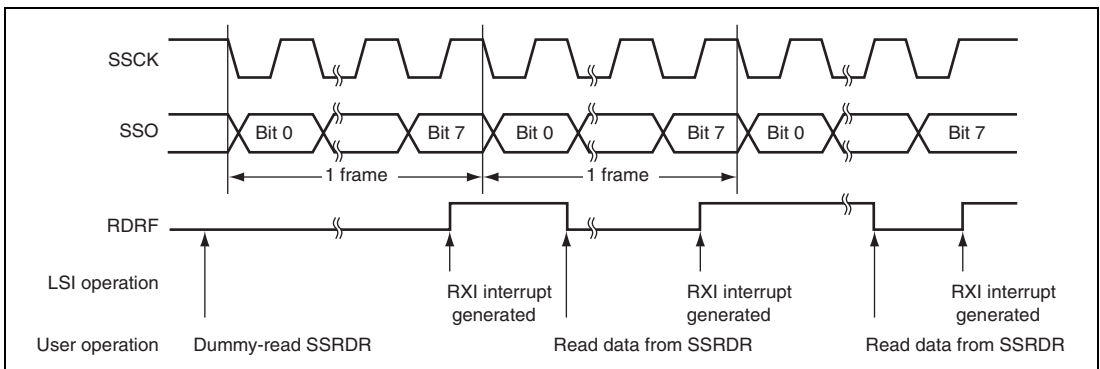
Figure 14.15 shows an example of reception operation, and figure 14.16 shows a flowchart example of data reception. When receiving data, the SSU operates as shown below.

After setting the RE bit in SSER to 1, the SSU starts data reception.

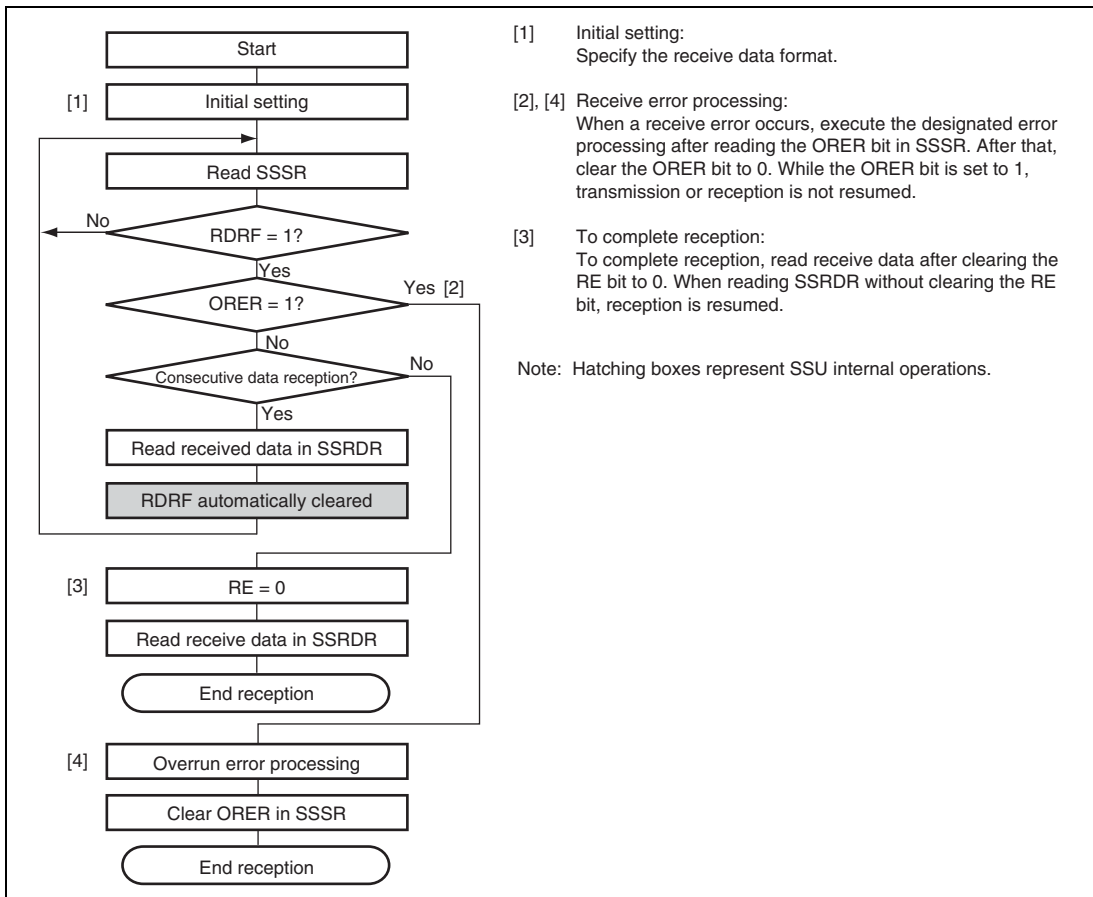
In master mode, the SSU outputs a transfer clock and receives data. In slave mode, when a transfer clock is input to the SSCK pin, the SSU receives data in synchronization with the transfer clock.

When 1-frame data has been received, the RDRF bit in SSSR is set to 1 and the receive data is stored in SSRDR. At this time, if the RIE bit is set to 1, an RXI interrupt is generated. The RDRF bit is automatically cleared to 0 by reading SSRDR.

When the RDRF bit has been set to 1 at the 8th rising edge of the transfer clock, the ORER bit in SSSR is set to 1. This indicates that an overrun error (OEI) has occurred. At this time, data reception is stopped. While the ORER bit in SSSR is set to 1, reception is not performed. To resume the reception, clear the ORER bit to 0.



**Figure 14.15 Example of Reception Operation
(Clock Synchronous Communication Mode)**



**Figure 14.16 Flowchart Example of Data Reception
(Clock Synchronous Communication Mode)**

(4) Data Transmission/Reception

Figure 14.17 shows a flowchart example of simultaneous transmission/reception. The data transmission/reception is performed combining the data transmission and data reception as mentioned above. The data transmission/reception is started by writing transmit data to SSTDR with $TE = RE = 1$.

Before switching transmission mode ($TE = 1$) or reception mode ($RE = 1$) to transmission/reception mode ($TE = RE = 1$), clear the TE and RE bits to 0. When starting the transfer, confirm that the $TEND$, $RDRF$, and $ORER$ bits are cleared to 0 before setting the TE or RE bits to 1.

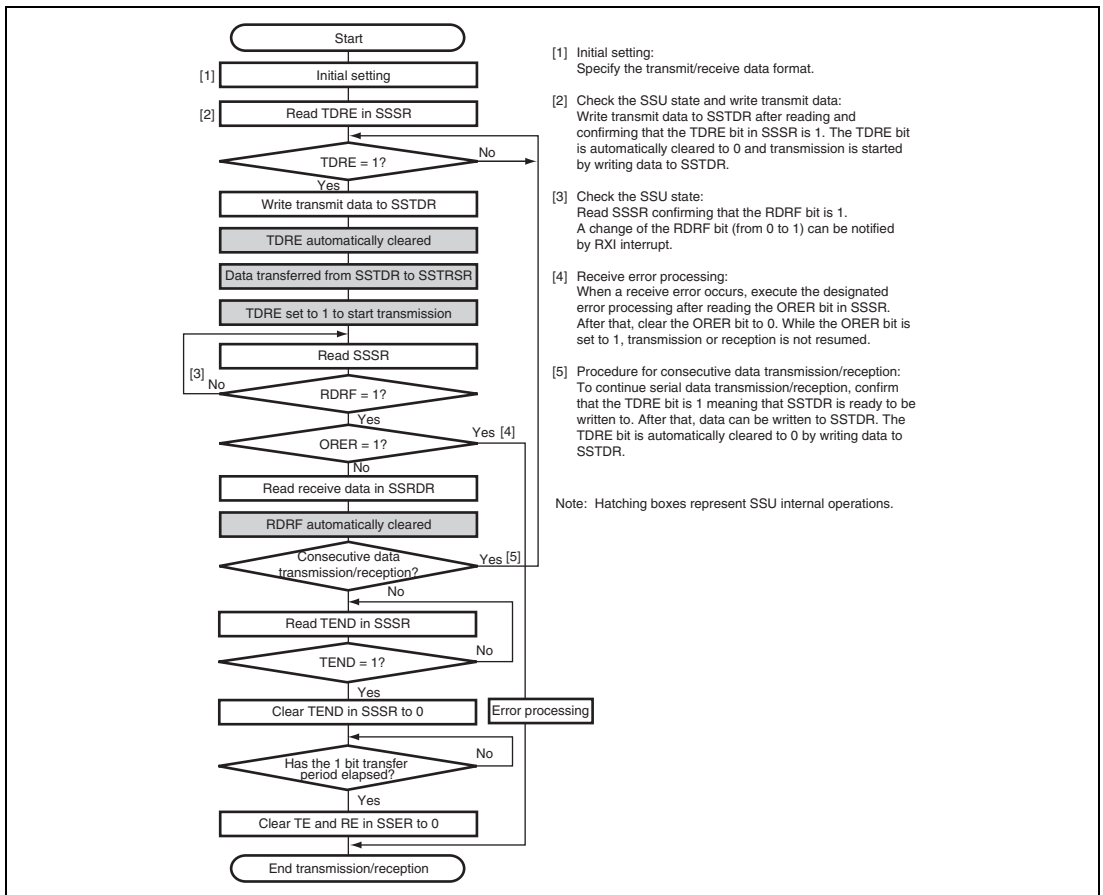


Figure 14.17 Flowchart Example of Simultaneous Transmission/Reception (Clock Synchronous Communication Mode)

14.5 Interrupt Requests

The SSU interrupt requests are an overrun error, a conflict error, a receive data register full, transmit data register empty, and a transmit end interrupts. Of these interrupt sources, a receive data register full, a transmit data register empty, and a transmit end interrupts can activate the DMAC for data transfer.

Since both an overrun error and a conflict error interrupts are allocated to the SSERI vector address, and both a transmit data register empty and a transmit end interrupts are allocated to the SSTXI vector address, the interrupt source should be decided by their flags. Table 14.7 lists the interrupt sources.

When an interrupt condition shown in table 14.7 is satisfied, an interrupt is requested. Clear the interrupt source by CPU or DMAC data transfer.

Table 14.7 Interrupt Sources

Channel	Abbreviation	Interrupt Source	Symbol	Interrupt Condition	DTC Activation	DMAC Activation
0	SSERI0	Overrun error	OEI0	$(RIE = 1) \bullet (ORER = 1)$	—	—
		Conflict error	CEI0	$(CEIE = 1) \bullet (CE = 1)$	—	—
	SSRXI0	Receive data register full	RXI0	$(RIE = 1) \bullet (RDRF = 1)$	—	Yes
	SSTXI0	Transmit data register empty	TXI0	$(TIE = 1) \bullet (TDRE = 1)$	—	Yes
		Transmit end	TEI0	$(TEIE = 1) \bullet (TEND = 1)$	—	Yes
1	SSERI1	Overrun error	OEI1	$(RIE = 1) \bullet (ORER = 1)$	—	—
		Conflict error	CEI1	$(CEIE = 1) \bullet (CE = 1)$	—	—
	SSRXI1	Receive data register full	RXI1	$(RIE = 1) \bullet (RDRF = 1)$	—	Yes
	SSTXI1	Transmit data register empty	TXI1	$(TIE = 1) \bullet (TDRE = 1)$	—	Yes
		Transmit end	TEI1	$(TEIE = 1) \bullet (TEND = 1)$	—	Yes
2	SSERI2	Overrun error	OEI2	$(RIE = 1) \bullet (ORER = 1)$	—	—
		Conflict error	CEI2	$(CEIE = 1) \bullet (CE = 1)$	—	—
	SSRXI2	Receive data register full	RXI2	$(RIE = 1) \bullet (RDRF = 1)$	—	Yes
	SSTXI2	Transmit data register empty	TXI2	$(TIE = 1) \bullet (TDRE = 1)$	—	Yes
		Transmit end	TEI2	$(TEIE = 1) \bullet (TEND = 1)$	—	Yes

14.6 Usage Note

14.6.1 Setting of Module Stop Mode

The SSU can be enabled/disabled by the module stop control register setting and is disabled by the initial value. Canceling module stop mode enables to access the SSU registers. For details, see section 19, Power-Down Modes.

14.6.2 Note on Clearing Module Stop Mode

When clearing module stop mode, attention is required to the following.

When using the SSU channel 1 (or 2), the SSU channel 1 (or 2) is not cleared module stop mode without clearing both 1 and 2 bits listed below.

1. Module stop bit for channel 1 (or 2): MSTPC9 (or MSTPC10)
2. Module stop bit for channel 0: MSTPC8

When the SSU channel 0 is not used for the SSU function, I/O port pins that are multiplexed with the SSU channel 0 function can be used as I/O port pins unless module stop mode is cleared and the SSU channel 0 is enabled transmission and reception.

Section 15 A/D Converter

This LSI includes two units (unit 0 and unit 1) of successive approximation type 10-bit A/D converters that allow up to 16 analog input channels to be selected.

Figures 15.1 and 15.2 are block diagrams for unit 0 and unit 1, respectively.

This section describes unit 0, which has the same functions as the other unit.

15.1 Features

- 10-bit resolution
- 16 input channels (eight channels for unit 0 and eight channels for unit 1)
- Conversion time: 3.4 μ s per channel (at 35-MHz operation)
- Two kinds of operating modes
 - Single mode: Single-channel A/D conversion
 - Scan mode: Continuous A/D conversion on 1 to 4 channels, or 1 to 8 channels
- 16 data registers (eight registers for unit 0 and eight registers for unit 1)
A/D conversion results are held in a 16-bit data register for each channel
- Sample and hold function
- Three types of conversion start
Conversion can be started by software, a conversion start trigger by the 16-bit timer pulse unit (TPU), or an external trigger signal.
- Interrupt source
A/D conversion end interrupt (ADI) request can be generated.
- Module stop mode can be set
- Pulling down the analog port enabled

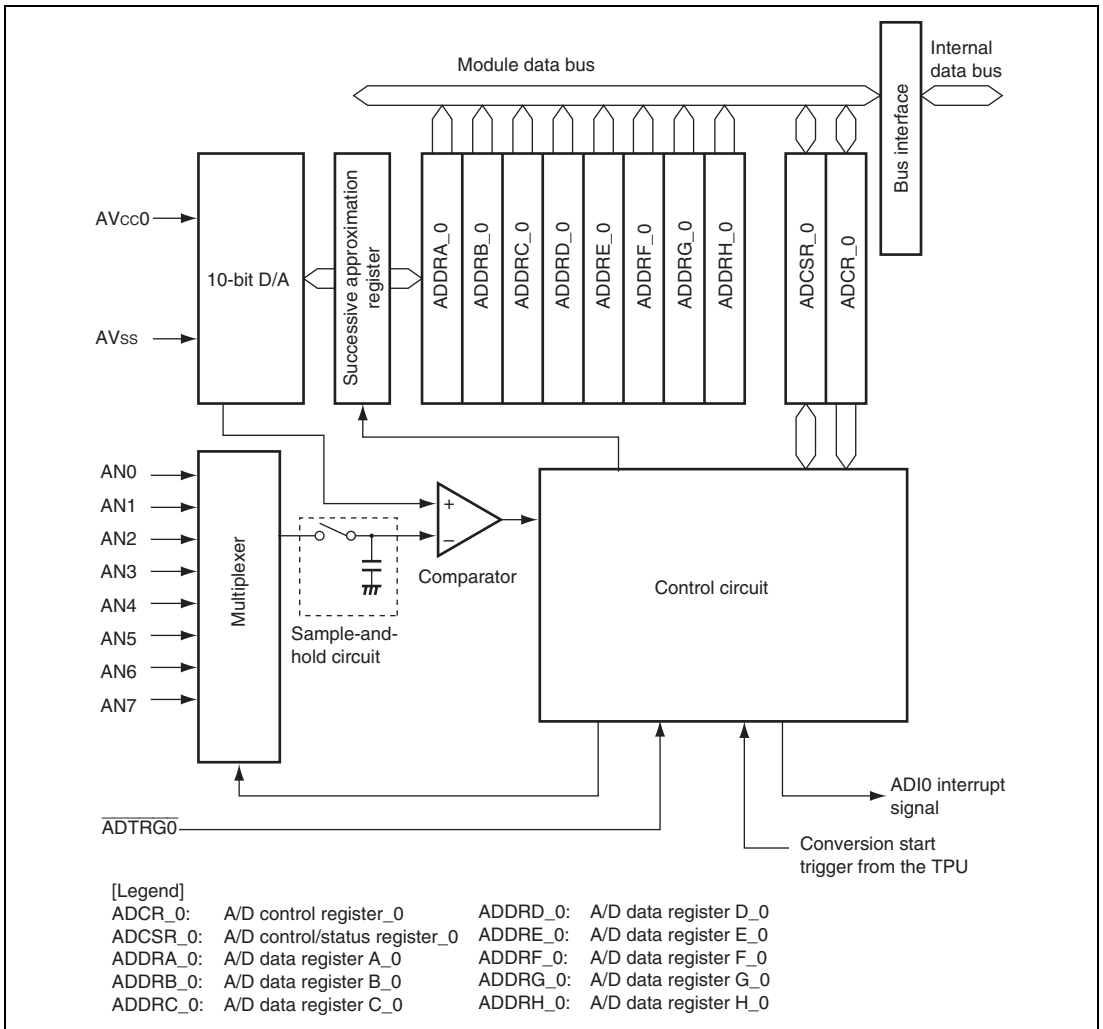


Figure 15.1 Block Diagram of A/D Converter (Unit 0/AD_0)

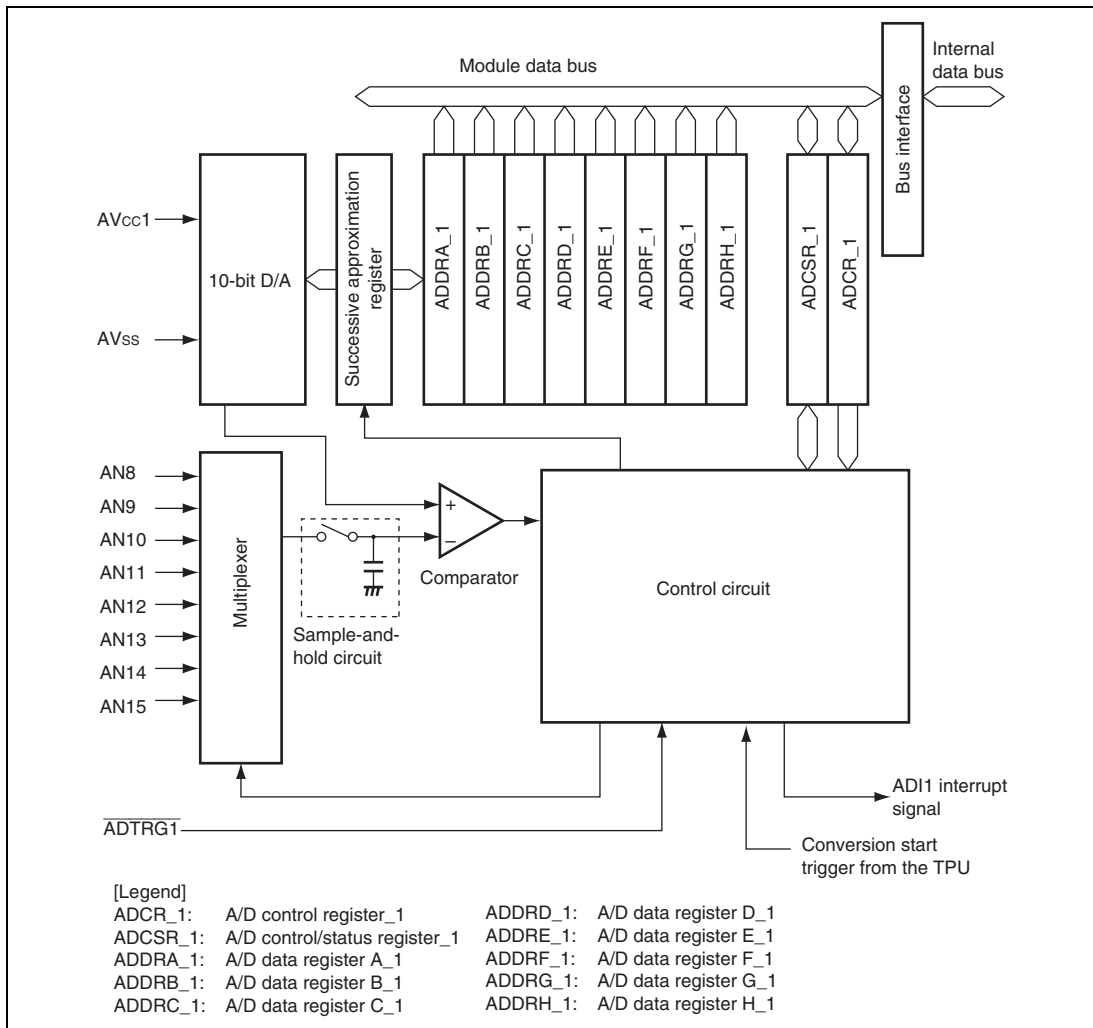


Figure 15.2 Block Diagram of A/D Converter (Unit 1/AD_1)

15.2 Input/Output Pins

Table 15.1 shows the pin configuration of the A/D converter.

Table 15.1 Pin Configuration

Unit	Abbr.	Pin Name	Symbol	I/O	Function
0	AD_0	Analog input pin 0	AN0	Input	Analog inputs
		Analog input pin 1	AN1	Input	
		Analog input pin 2	AN2	Input	
		Analog input pin 3	AN3	Input	
		Analog input pin 4	AN4	Input	
		Analog input pin 5	AN5	Input	
		Analog input pin 6	AN6	Input	
		Analog input pin 7	AN7	Input	
		A/D external trigger input pin 0	ADTRG0	Input	External trigger input for starting A/D conversion
		Analog power supply pin 0	AV _{cc} 0	Input	Analog block power supply
1	AD_1	Analog input pin 8	AN8	Input	Analog inputs
		Analog input pin 9	AN9	Input	
		Analog input pin 10	AN10	Input	
		Analog input pin 11	AN11	Input	
		Analog input pin 12	AN12	Input	
		Analog input pin 13	AN13	Input	
		Analog input pin 14	AN14	Input	
		Analog input pin 15	AN15	Input	
		A/D external trigger input pin 1	ADTRG1	Input	External trigger input for starting A/D conversion
		Analog power supply pin 1	AV _{cc} 1	Input	Analog block power supply
Common		Analog ground pin	AV _{ss}	Input	Analog block ground

15.3 Register Descriptions

The A/D converter has the following registers.

The registers for unit 0 (A/D_0) and unit 1 (A/D_1) have the same functions. In this descriptions, AN8 to AN15 correspond to AN0 to AN7.

- Unit 0 (A/D_0)
 - A/D data register A_0 (ADDRA_0)
 - A/D data register B_0 (ADDRB_0)
 - A/D data register C_0 (ADDRC_0)
 - A/D data register D_0 (ADDRD_0)
 - A/D data register E_0 (ADDRE_0)
 - A/D data register F_0 (ADDRF_0)
 - A/D data register G_0 (ADDRG_0)
 - A/D data register H_0 (ADDRH_0)
 - A/D control/status register_0 (ADCSR_0)
 - A/D control register_0 (ADCR_0)

- Unit 1 (A/D_1)
 - A/D data register A_1 (ADDRA_1)
 - A/D data register B_1 (ADDRB_1)
 - A/D data register C_1 (ADDRC_1)
 - A/D data register D_1 (ADDRD_1)
 - A/D data register E_1 (ADDRE_1)
 - A/D data register F_1 (ADDRF_1)
 - A/D data register G_1 (ADDRG_1)
 - A/D data register H_1 (ADDRH_1)
 - A/D control/status register_1 (ADCSR_1)
 - A/D control register_1 (ADCR_1)

The A/D converter has the register which controls the pull-down MOS for analog input pins.

- Analog port pull-down control register (APPDCR)

15.3.1 A/D Data Registers A to H (ADDRA to ADDRH)

There are eight 16-bit read-only ADDR registers, ADDRA to ADDRH, used to store the results of A/D conversion. The ADDR registers, which store a conversion result for each channel, are shown in table 15.2.

The converted 10-bit data is stored in bits 15 to 6. The lower 6-bit data is always read as 0.

The data bus between the CPU and the A/D converter has a 16-bit width. The data can be read directly from the CPU. ADDR must not be accessed in 8-bit units and must be accessed in 16-bit units.

Bit	15	14	13	12	11	10	9	8	7	6	5	4	3	2	1	0
Bit Name											—	—	—	—	—	—
Initial Value	0	0	0	0	0	0	0	0	0	0	0	0	0	0	0	0
R/W	R	R	R	R	R	R	R	R	R	R	R	R	R	R	R	R

Table 15.2 Analog Input Channels and Corresponding ADDR Registers

Analog Input Channel	A/D Data Register Which Stores Conversion Result
AN0	ADDRA
AN1	ADDRB
AN2	ADDRC
AN3	ADDRD
AN4	ADDRE
AN5	ADDRF
AN6	ADDRG
AN7	ADDRH

15.3.2 A/D Control/Status Register (ADCSR)

ADCSR controls A/D conversion operations.

Bit	7	6	5	4	3	2	1	0
Bit Name	ADF	ADIE	ADST	—	CH3	CH2	CH1	CH0
Initial Value	0	0	0	0	0	0	0	0
R/W	R/(W)*	R/W	R/W	R	R/W	R/W	R/W	R/W

Note: * Only 0 can be written to this bit, to clear the flag.

Bit	Bit Name	Initial Value	R/W	Description
7	ADF	0	R/(W)*	<p>A/D End Flag</p> <p>A status flag that indicates the end of A/D conversion.</p> <p>[Setting conditions]</p> <ul style="list-style-type: none"> When A/D conversion ends in single mode When A/D conversion ends on all specified channels in scan mode <p>[Clearing conditions]</p> <ul style="list-style-type: none"> When 0 is written after reading ADF = 1 (When the CPU is used to clear this flag by writing 0 while the corresponding interrupt is enabled, be sure to read the flag after writing 0 to it.) When the DTC or DMAC is activated by an ADI interrupt and ADDR is read
6	ADIE	0	R/W	<p>A/D Interrupt Enable</p> <p>When this bit is set to 1, ADI interrupts by ADF are enabled.</p>
5	ADST	0	R/W	<p>A/D Start</p> <p>Clearing this bit to 0 stops A/D conversion, and the A/D converter enters wait state.</p> <p>Setting this bit to 1 starts A/D conversion. In single mode, this bit is cleared to 0 automatically when A/D conversion on the specified channel ends. In scan mode, A/D conversion continues sequentially on the specified channels until this bit is cleared to 0 by software or a reset.</p>
4	—	0	R	<p>Reserved</p> <p>This is a read-only bit and cannot be modified.</p>

Bit	Bit Name	Initial Value	R/W	Description
3	CH3	0	R/W	Channel Select 3 to 0
2	CH2	0	R/W	Selects analog input together with bits SCANE and SCANS in ADCR.
1	CH1	0	R/W	
0	CH0	0	R/W	<ul style="list-style-type: none"> • When SCANE = 0 and SCANS = X <ul style="list-style-type: none"> 0000: AN0 0001: AN1 0010: AN2 0011: AN3 0100: AN4 0101: AN5 0110: AN6 0111: AN7 1XXX: Setting prohibited • When SCANE = 1 and SCANS = 0 <ul style="list-style-type: none"> 0000: AN0 0001: AN0 and AN1 0010: AN0 to AN2 0011: AN0 to AN3 0100: AN4 0101: AN4 and AN5 0110: AN4 to AN6 0111: AN4 to AN7 1XXX: Setting prohibited • When SCANE = 1 and SCANS = 1 <ul style="list-style-type: none"> 0000: AN0 0001: AN0 and AN1 0010: AN0 to AN2 0011: AN0 to AN3 0100: AN0 to AN4 0101: AN0 to AN5 0110: AN0 to AN6 0111: AN0 to AN7 1XXX: Setting prohibited

[Legend]

X: Don't care

Note: * Only 0 can be written to this bit, to clear the flag.

15.3.3 A/D Control Register (ADCR)

ADCR enables A/D conversion to be started by an external trigger input.

Bit	7	6	5	4	3	2	1	0
Bit Name	TRGS1	TRGS0	SCANE	SCANS	CKS1	CKS0	—	—
Initial Value	0	0	0	0	0	0	0	0
R/W	R/W	R/W	R/W	R/W	R/W	R/W	R	R

Bit	Bit Name	Initial Value	R/W	Description
7	TRGS1	0	R/W	Timer Trigger Select 1 and 0
6	TRGS0	0	R/W	These bits select enabling or disabling of the start of A/D conversion by a trigger signal. 00: A/D conversion start by external trigger is disabled 01: A/D conversion start by external trigger from TPU is enabled 10: Setting prohibited 11: A/D conversion start by the $\overline{\text{ADTRG}}$ pin is enabled*
5	SCANE	0	R/W	Scan Mode
4	SCANS	0	R/W	These bits select the A/D conversion operating mode. 0X: Single mode 10: Scan mode. A/D conversion is performed continuously for channels 1 to 4. 11: Scan mode. A/D conversion is performed continuously for channels 1 to 8.
3	CKS1	0	R/W	Clock Select 1 and 0
2	CKS0	0	R/W	These bits set the A/D conversion time. Set bits CKS1 and CKS0 only while A/D conversion is stopped (ADST = 0). 00: A/D conversion time = 530 states (max) 01: A/D conversion time = 266 states (max) 10: A/D conversion time = 134 states (max) 11: A/D conversion time = 68 states (max)
1, 0	—	All 0	R	Reserved These are read-only bits and cannot be modified.

[Legend]

X: Don't care

15.3.4 Analog Port Pull-Down Control Register (APPDCR)

APPDCR controls the pull-down MOS for analog input pins.

Bit	15	14	13	12	11	10	9	8	7	6	5	4	3	2	1	0
Bit Name	AN15PD	AN14PD	AN13PD	AN12PD	AN11PD	AN10PD	AN9PD	AN8PD	AN7PD	AN6PD	AN5PD	AN4PD	AN3PD	AN2PD	AN1PD	AN0PD
Initial Value	0	0	0	0	0	0	0	0	0	0	0	0	0	0	0	0
R/W	R/W	R/W	R/W	R/W	R/W	R/W	R/W	R/W	R/W	R/W	R/W	R/W	R/W	R/W	R/W	R/W

Bit	Bit Name	Initial Value	R/W	Description
15	AN15PD	0	R/W	These bits control the pull-down MOS for analog input pins. 0: Pull-down MOS: Off 1: Pull-down MOS: On
14	AN14PD	0	R/W	
13	AN13PD	0	R/W	
12	AN12PD	0	R/W	
11	AN11PD	0	R/W	
10	AN10PD	0	R/W	
9	AN9PD	0	R/W	
8	AN8PD	0	R/W	
7	AN7PD	0	R/W	
6	AN6PD	0	R/W	
5	AN5PD	0	R/W	
4	AN4PD	0	R/W	
3	AN3PD	0	R/W	
2	AN2PD	0	R/W	
1	AN1PD	0	R/W	
0	AN0PD	0	R/W	

15.4 Operation

The A/D converter operates by successive approximation with 10-bit resolution. It has two operating modes: single mode and scan mode. When changing the operating mode or analog input channel, to prevent incorrect operation, first clear the ADST bit in ADCSR to 0 to halt A/D conversion. The ADST bit can be set to 1 at the same time as the operating mode or analog input channel is changed.

15.4.1 Single Mode

In single mode, A/D conversion is to be performed only once on the analog input of the specified single channel.

1. A/D conversion for the selected channel is started when the ADST bit in ADCSR is set to 1 by software or an external trigger input.
2. When A/D conversion is completed, the A/D conversion result is transferred to the corresponding A/D data register of the channel.
3. When A/D conversion is completed, the ADF bit in ADCSR is set to 1. If the ADIE bit is set to 1 at this time, an ADI interrupt request is generated.
4. The ADST bit remains set to 1 during A/D conversion, and is automatically cleared to 0 when A/D conversion ends. The A/D converter enters wait state. If the ADST bit is cleared to 0 during A/D conversion, A/D conversion stops and the A/D converter enters wait state.

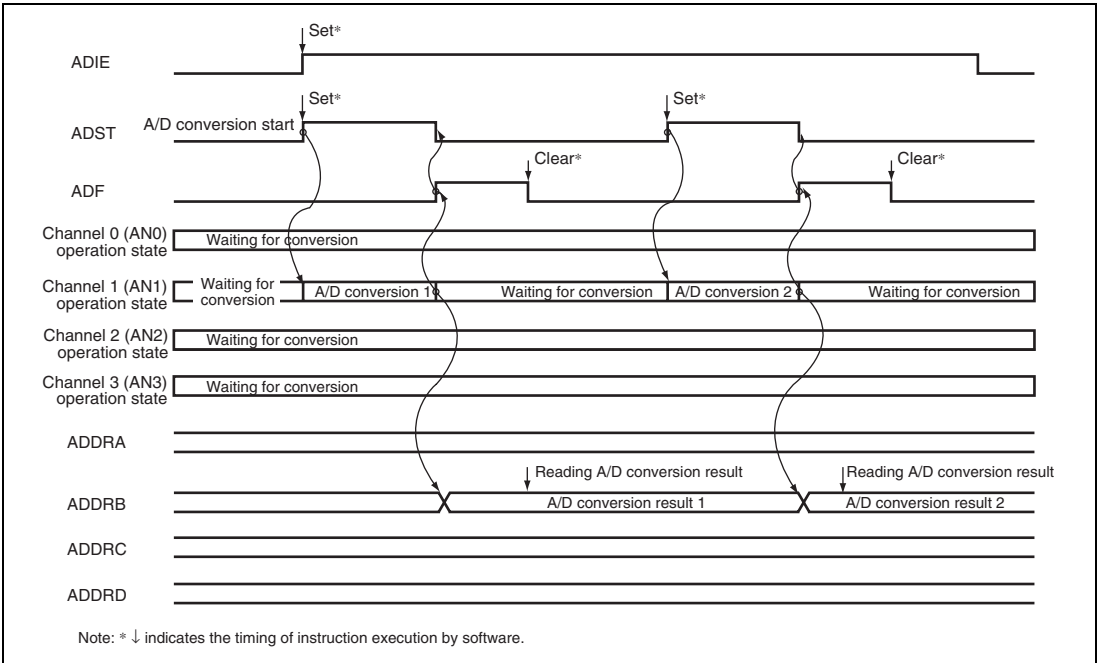
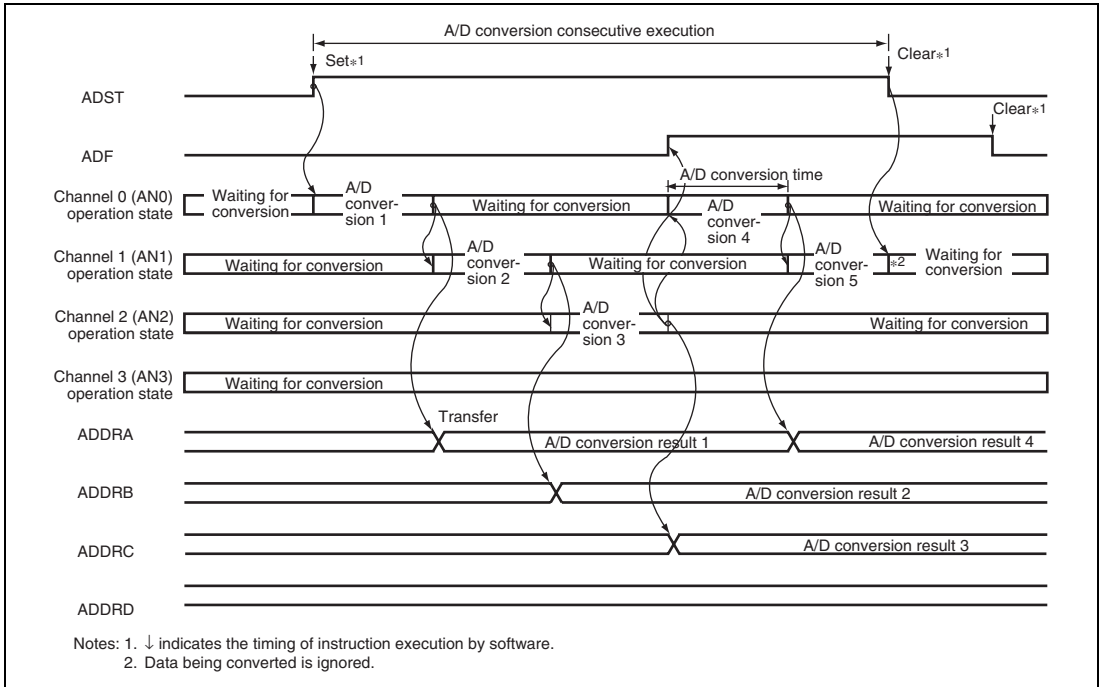


Figure 15.3 Example of A/D Converter Operation (Single Mode, Channel 1 Selected)

15.4.2 Scan Mode

In scan mode, A/D conversion is to be performed sequentially on the analog inputs of the specified channels up to four or eight channels.

1. When the ADST bit in ADCSR is set to 1 by software, TPU, or an external trigger input, A/D conversion starts on the first channel in the group. Consecutive A/D conversion on a maximum of four channels (SCANE and SCANS = B'10) or on a maximum of eight channels (SCANE and SCANS = B'11) can be selected. When consecutive A/D conversion is performed on four channels, A/D conversion starts on AN0 when CH3 and CH2 = B'00, on AN4 when CH3 and CH2 = B'01, on AN8 when CH3 and CH2 = B'10, and on AN12 when CH3 and CH2 = B'11. When consecutive A/D conversion is performed on eight channels, A/D conversion starts on AN0 when CH3 = B'0 and on AN8 when CH3 = B'1.
2. When A/D conversion for each channel is completed, the A/D conversion result is sequentially transferred to the corresponding ADDR of each channel.
3. When A/D conversion of all selected channels is completed, the ADF bit in ADCSR is set to 1. If the ADIE bit is set to 1 at this time, an ADI interrupt request is generated. A/D conversion of the first channel in the group starts again.
4. The ADST bit is not cleared automatically, and steps [2] to [3] are repeated as long as the ADST bit remains set to 1. When the ADST bit is cleared to 0, A/D conversion stops and the A/D converter enters wait state. If the ADST bit is later set to 1, A/D conversion starts again from the first channel in the group.



**Figure 15.4 Example of A/D Conversion
(Scan Mode, Three Channels (AN0 to AN2) Selected)**

15.4.3 Input Sampling and A/D Conversion Time

The A/D converter has a built-in sample-and-hold circuit. The A/D converter samples the analog input when the A/D conversion start delay time (t_D) passes after the ADST bit in ADCSR is set to 1, then starts A/D conversion. Figure 15.5 shows the A/D conversion timing. Table 15.3 indicates the A/D conversion time.

As indicated in figure 15.5, the A/D conversion time (t_{CONV}) includes t_D and the input sampling time (t_{SPL}). The length of t_D varies depending on the timing of the write access to ADCSR. The total conversion time therefore varies within the ranges indicated in table 15.3.

In scan mode, the values given in table 15.3 apply to the first conversion time. The values given in table 15.4 apply to the second and subsequent conversions. In either case, bits CKS1 and CKS0 in ADCR should be set so that the conversion time is within the ranges indicated by the A/D conversion characteristics.

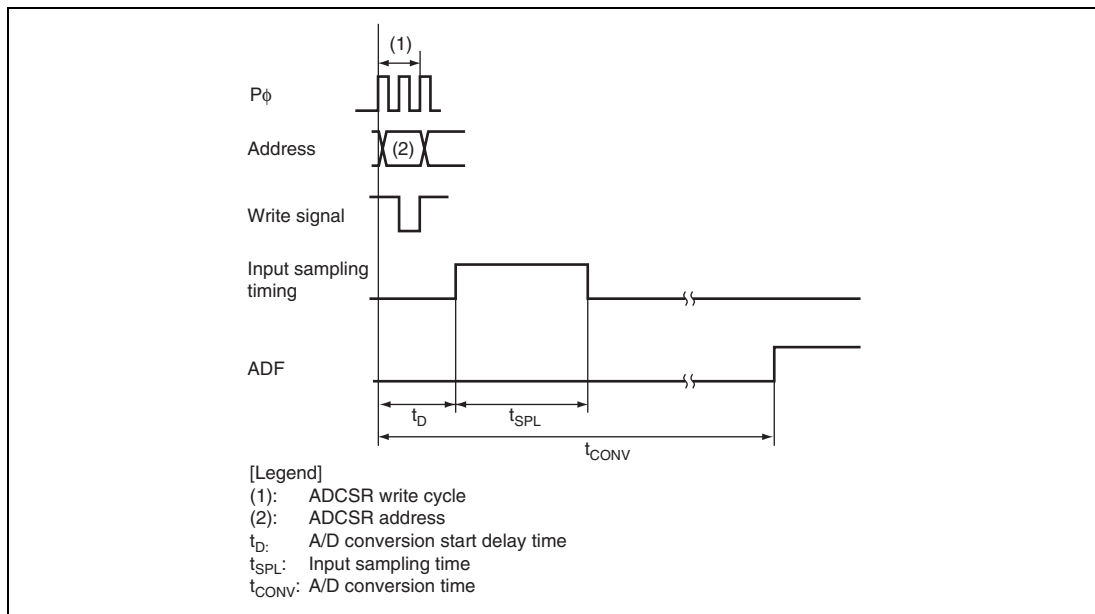


Figure 15.5 A/D Conversion Timing

Table 15.3 A/D Conversion Characteristics (Single Mode)

Item	Symbol	CKS1 = 0						CKS1 = 1					
		CKS0 = 0			CKS0 = 1			CKS0 = 0			CKS0 = 1		
		Min.	Typ.	Max.	Min.	Typ.	Max.	Min.	Typ.	Max.	Min.	Typ.	Max.
A/D conversion start delay time	t_D	18	—	33	10	—	17	6	—	9	4	—	5
Input sampling time	t_{SPL}	—	127	—	—	63	—	—	31	—	—	15	—
A/D conversion time	t_{CONV}	515	—	530	259	—	266	131	—	134	67	—	68

Note: Values in the table are the number of states.

Table 15.4 A/D Conversion Characteristics (Scan Mode)

CKS1	CKS0	Conversion Time (Number of States)
0	0	512 (Fixed)
	1	256 (Fixed)
1	0	128 (Fixed)
	1	64 (Fixed)

15.4.4 External Trigger Input Timing

A/D conversion can be externally triggered. When the TRGS1 and TRGS0 bits are set to B'11 in ADCR, an external trigger is input from the $\overline{\text{ADTRG}}$ pin. A/D conversion starts when the ADST bit in ADCSR is set to 1 on the falling edge of the $\overline{\text{ADTRG}}$ pin. Other operations, in both single and scan modes, are the same as when the ADST bit has been set to 1 by software. Figure 15.6 shows the timing.

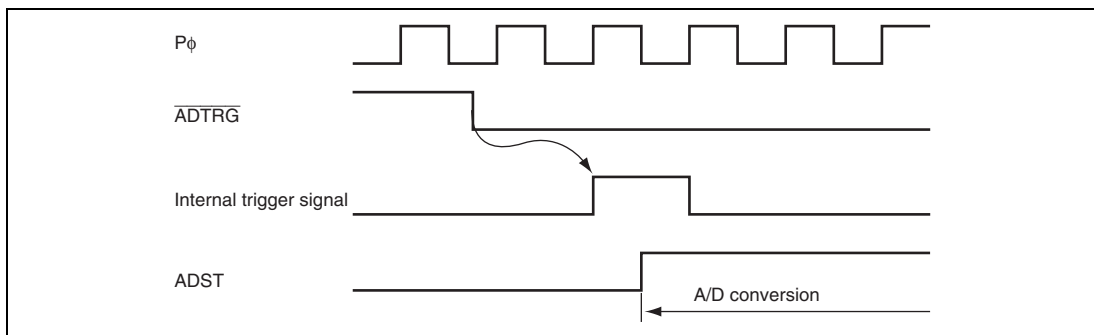


Figure 15.6 External Trigger Input Timing

15.5 Interrupt Source

The A/D converter generates an A/D conversion end interrupt (ADI) at the end of A/D conversion. Setting the ADIE bit to 1 when the ADF bit in ADCSR is set to 1 after A/D conversion is completed enables ADI interrupt requests. The DTC or DMA controller (DMAC) can be activated by an ADI interrupt. Having the converted data read by the DTC or DMAC in response to an ADI interrupt enables continuous conversion to be achieved without imposing a load on software.

Table 15.5 A/D Converter Interrupt Source

Unit	Abbr.	Interrupt Source	Interrupt Flag	DTC Activation	DMAC Activation
0	ADI0	A/D_0 conversion end	ADF	Possible	Possible
1	ADI1	A/D_1 conversion end	ADF	Possible	Possible

15.6 A/D Conversion Accuracy Definitions

This LSI's A/D conversion accuracy definitions are given below.

- **Resolution**
The number of A/D converter digital output codes.
- **Quantization error**
The deviation inherent in the A/D converter, given by 1/2 LSB (see figure 15.7).
- **Offset error**
The deviation of the analog input voltage value from the ideal A/D conversion characteristic when the digital output changes from the minimum voltage value B'000000000 (H'000) to B'000000001 (H'001) (see figure 15.8).
- **Full-scale error**
The deviation of the analog input voltage value from the ideal A/D conversion characteristic when the digital output changes from B'111111110 (H'3FE) to B'111111111 (H'3FF) (see figure 15.8).
- **Nonlinearity error**
The error with respect to the ideal A/D conversion characteristic between the zero voltage and the full-scale voltage. Does not include the offset error, full-scale error, or quantization error (see figure 15.8).
- **Absolute accuracy**
The deviation between the digital value and the analog input value. Includes the offset error, full-scale error, quantization error, and nonlinearity error.

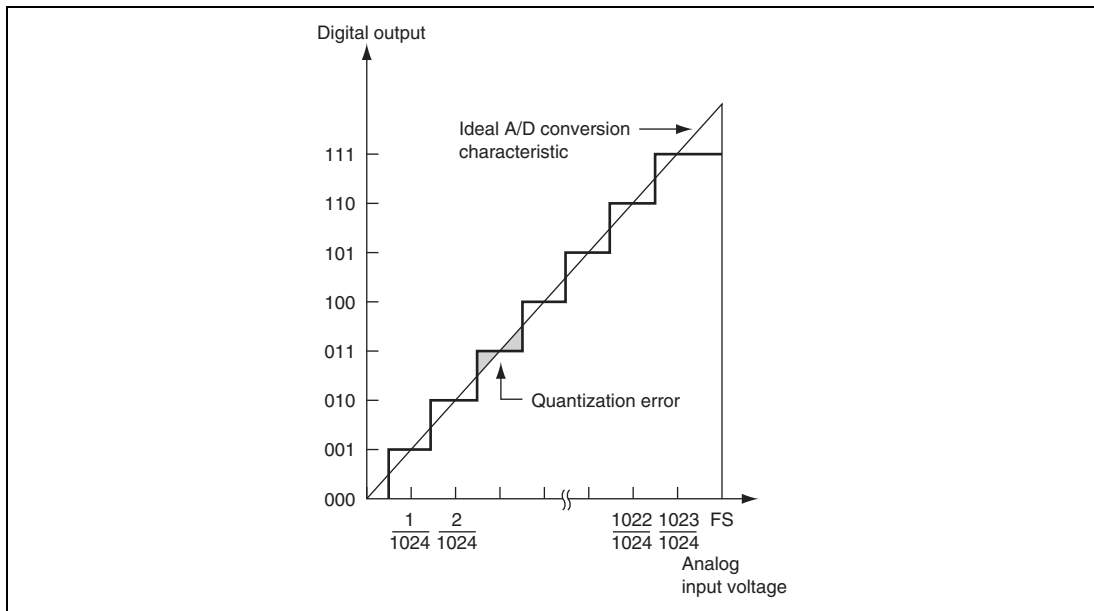


Figure 15.7 A/D Conversion Accuracy Definitions

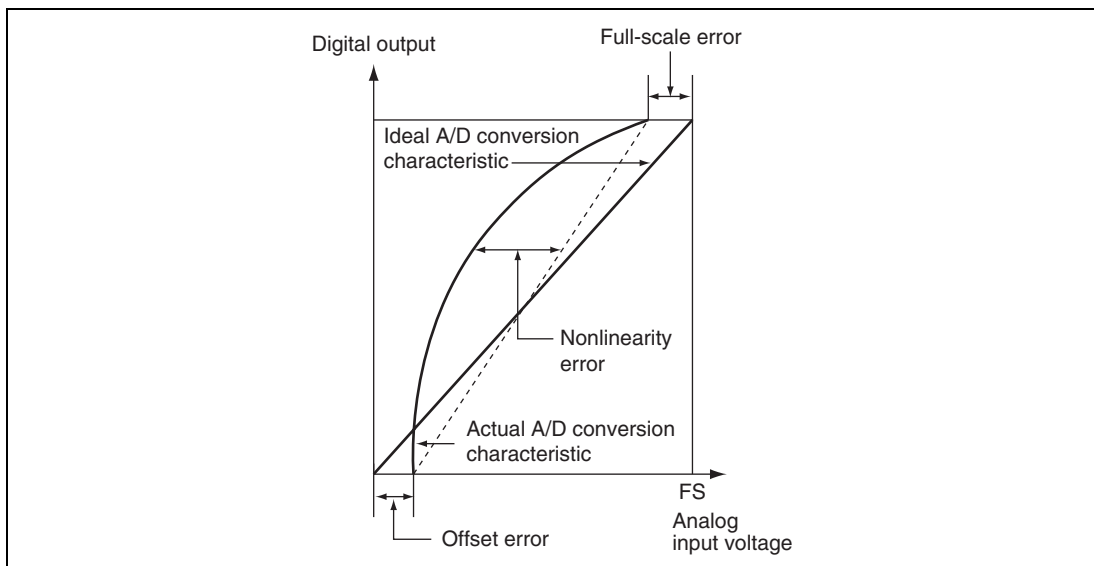


Figure 15.8 A/D Conversion Accuracy Definitions

15.7 Analog Port Pull-Down Function

Each analog port has a pull-down MOS. By setting the bits AN15PD to AN0PD in APPDCR to 1 (initial value is 0), the pull-down MOS corresponding to each analog channel is turned on.

When the voltage is applied to an analog port from an external circuit, the connection between the analog port and external circuit can be checked by the A/D conversion.

Note that APPDCR bits are cleared to 0 by a reset or in software standby mode.

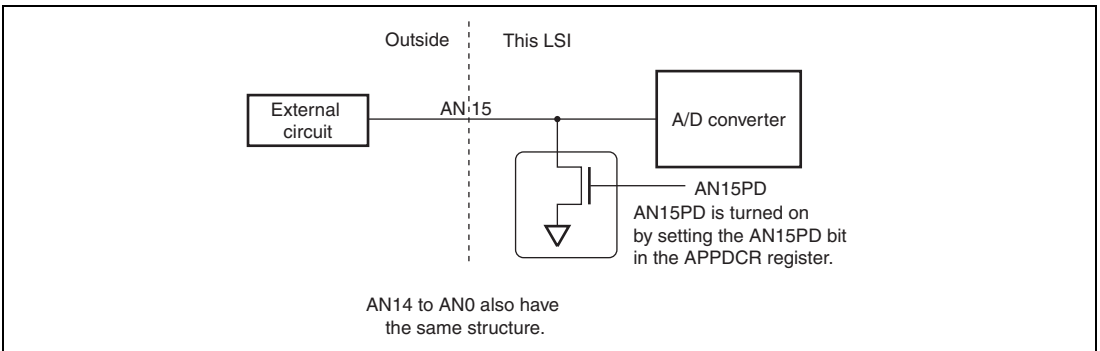


Figure 15.9 Diagram of Analog Port Pull-Down Function

15.8 Usage Notes

15.8.1 Module Stop Mode Setting

Operation of the A/D converter can be disabled or enabled using the module stop control register. The initial setting is for operation of the A/D converter to be halted. Register access is enabled by clearing module stop mode. For details, refer to section 19, Power-Down Modes.

15.8.2 Permissible Signal Source Impedance

This LSI's analog input is designed so that the conversion accuracy is guaranteed for an input signal for which the signal source impedance is $5\text{ k}\Omega$ or less. This specification is provided to enable the A/D converter's sample-and-hold circuit input capacitance to be charged within the sampling time; if the sensor output impedance exceeds $5\text{ k}\Omega$, charging may be insufficient and it may not be possible to guarantee the A/D conversion accuracy. However, if a large capacitance is provided externally for conversion in single mode, the input load will essentially comprise only the internal input resistance of $10\text{ k}\Omega$, and the signal source impedance is ignored. However, since a low-pass filter effect is obtained in this case, it may not be possible to follow an analog signal with a large differential coefficient (e.g., $5\text{ mV}/\mu\text{s}$ or greater) (see figure 15.10). When converting a high-speed analog signal or conversion in scan mode, a low-impedance buffer should be inserted.

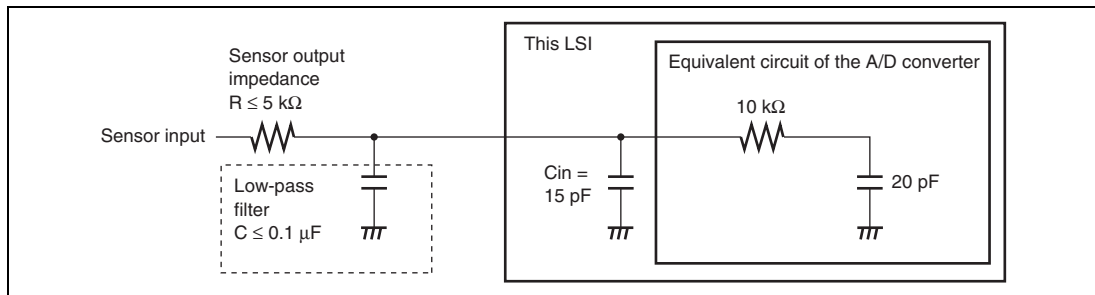


Figure 15.10 Example of Analog Input Circuit

15.8.3 Influences on Absolute Accuracy

Adding capacitance results in coupling with GND, and therefore noise in GND may adversely affect absolute accuracy. Be sure to make the connection to an electrically stable GND such as AVss.

Care is also required to insure that digital signals on the board do not interfere with filter circuits and filter circuits do not act as antennas.

15.8.4 Setting Range of Analog Power Supply and Other Pins

If the conditions shown below are not met, the reliability of the LSI may be adversely affected.

- Analog input voltage range

The voltage applied to analog input pin ANn during A/D conversion should be in the range $AV_{SS} \leq V_{AN} \leq AV_{CC0}$ and $AV_{SS} \leq V_{AN} \leq AV_{CC1}$.

- Relation between AVcc0, AVcc1, AVss and Vcc, Vss

As the relationship between AVcc0, AVcc1, AVss and Vcc, Vss, set $AV_{CC0} = V_{CC} \pm 0.3 \text{ V}$, $AV_{CC1} = V_{CC} \pm 0.3 \text{ V}$, and $AV_{SS} = V_{SS}$. If the A/D converter is not used, set $AV_{CC0} = V_{CC}$, $AV_{CC1} = V_{CC}$, and $AV_{SS} = V_{SS}$.

15.8.5 Notes on Board Design

In board design, digital circuitry and analog circuitry should be as mutually isolated as possible, and layout in which digital circuit signal lines and analog circuit signal lines cross or are in close proximity should be avoided as far as possible. Failure to do so may result in incorrect operation of the analog circuitry due to inductance, adversely affecting A/D conversion values.

Digital circuitry must be isolated from the analog input pins (AN0 to AN15) and analog power supply (AVcc0 and AVcc1) by the analog ground (AVss). Also, the analog ground (AVss) should be connected at one point to a stable ground (Vss) on the board.

15.8.6 Notes on Noise Countermeasures

A protection circuit connected to prevent damage due to an abnormal voltage such as an excessive surge at the analog input pins (AN0 to AN15) should be connected between AVcc0, AVcc1 and AVss as shown in figure 15.11. Also, the bypass capacitors connected to AVcc0 and AVcc1 and the filter capacitor connected to pins AN0 to AN15 must be connected to AVss.

If a filter capacitor is connected, the input currents at pins AN0 to AN15 are averaged, and so an error may arise. Also, when A/D conversion is performed frequently, as in scan mode, if the current charged and discharged by the capacitance of the sample-and-hold circuit in the A/D converter exceeds the current input via the input impedance (R_{in}), an error will arise in the analog input pin voltage. Careful consideration is therefore required when deciding the circuit constants.

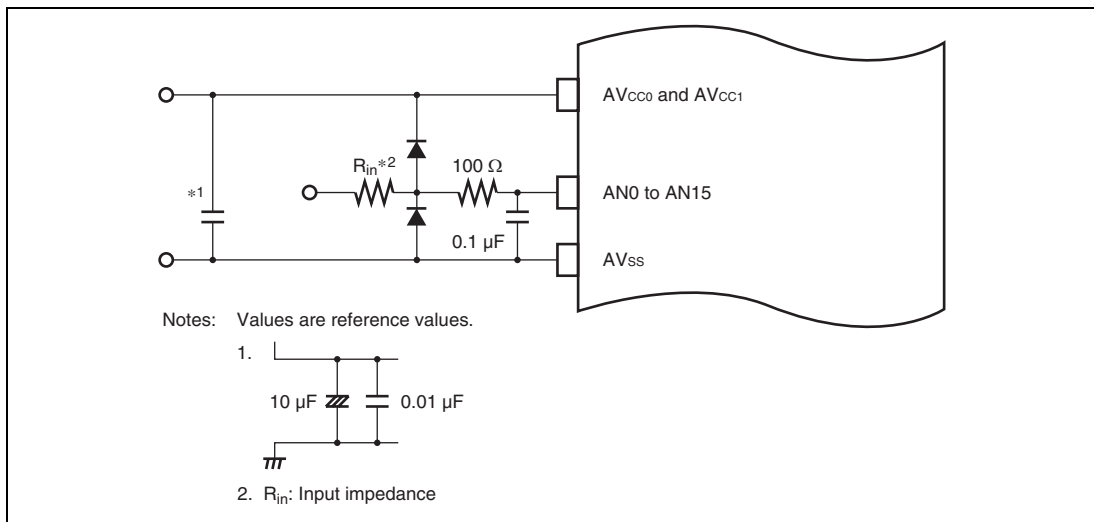


Figure 15.11 Example of Analog Input Protection Circuit

Table 15.6 Analog Pin Specifications

Item	Min	Max	Unit
Analog input capacitance	—	20	pF
Permissible signal source impedance	—	5	kΩ

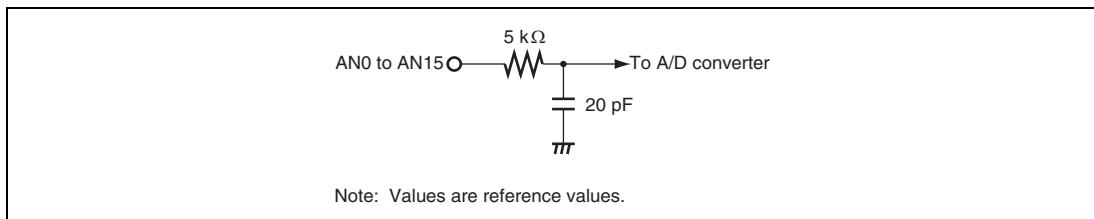


Figure 15.12 Analog Input Pin Equivalent Circuit

15.8.7 A/D Input Hold Function in Software Standby Mode

When this LSI enters software standby mode with A/D conversion enabled, the A/D conversion are retained, and the analog current is equal to as during A/D conversion. If the analog power supply current needs to be reduced in software standby mode, clear the ADST, TRGS1, and TRGS0 bits all to 0 to disable A/D conversion.

Section 16 RAM

This LSI has a 12-kbyte on-chip high-speed static RAM. The RAM is connected to the CPU by a 32-bit data bus, enabling 1-state read and 2-state write accesses by the CPU to all byte data, word data, and longword data.

The on-chip RAM can be enabled or disabled by means of the RAME bit in the system control register (SYSCR). For details on SYSCR, refer to section 3.2.2, System Control Register (SYSCR).

Product Classification		RAM Size	RAM Addresses
Flash memory version	H8SX/1582	12 kbytes	H'FF9000 to H'FFBFFF

Section 17 Flash Memory (0.18- μ m F-ZTAT Version)

The flash memory has the following features. Figure 17.1 is a block diagram of the flash memory.

17.1 Features

- Size

Product Classification		ROM Size	ROM Address
H8SX/1582	R5F61582	256 kbytes	H'000000 to H'03FFFF (modes 1 to 3)

- Two memory MATs

The start addresses of two memory spaces (memory MATs) are allocated to the same address. The mode setting in the initiation determines which memory MAT is initiated first. The memory MATs can be switched by using the bank-switching method after initiation.

— User MAT initiated at a power-on reset in user mode: 256 kbytes

— User boot MAT is initiated at a power-on reset in user boot mode: 10 kbytes

- Programming/erasing interface by the download of on-chip program

This LSI has a programming/erasing program. After downloading this program to the on-chip RAM, programming/erasing can be performed by setting the parameters.

- Programming/erasing time

Programming time: 3 ms (typ) for 128-byte simultaneous programming, 23.4 μ s per byte

Erasing time: 1000 ms (typ) per 1 block (64 kbytes)

- Number of programming

The number of programming can be up to 100 times at the minimum. (1 to 100 times are guaranteed.)

- Three on-board programming modes

Boot mode: Using the on-chip SCI_4, the user MAT and user boot MAT can be programmed/erased. In boot mode, the bit rate between the host and this LSI can be adjusted automatically.

User program mode: Using a desired interface, the user MAT can be programmed/erased.

User boot mode: Using a desired interface, the user boot program can be made and the user MAT can be programmed/erased.

- Off-board programming mode

Programmer mode: Using a PROM programmer, the user MAT and user boot MAT can be programmed/erased.

- Programming/erasing protection

Protection against programming/erasing of the flash memory can be set by hardware protection, software protection, or error protection.

- Flash memory emulation function using the on-chip RAM

Realtime emulation of the flash memory programming can be performed by overlaying parts of the flash memory (user MAT) area and the on-chip RAM.

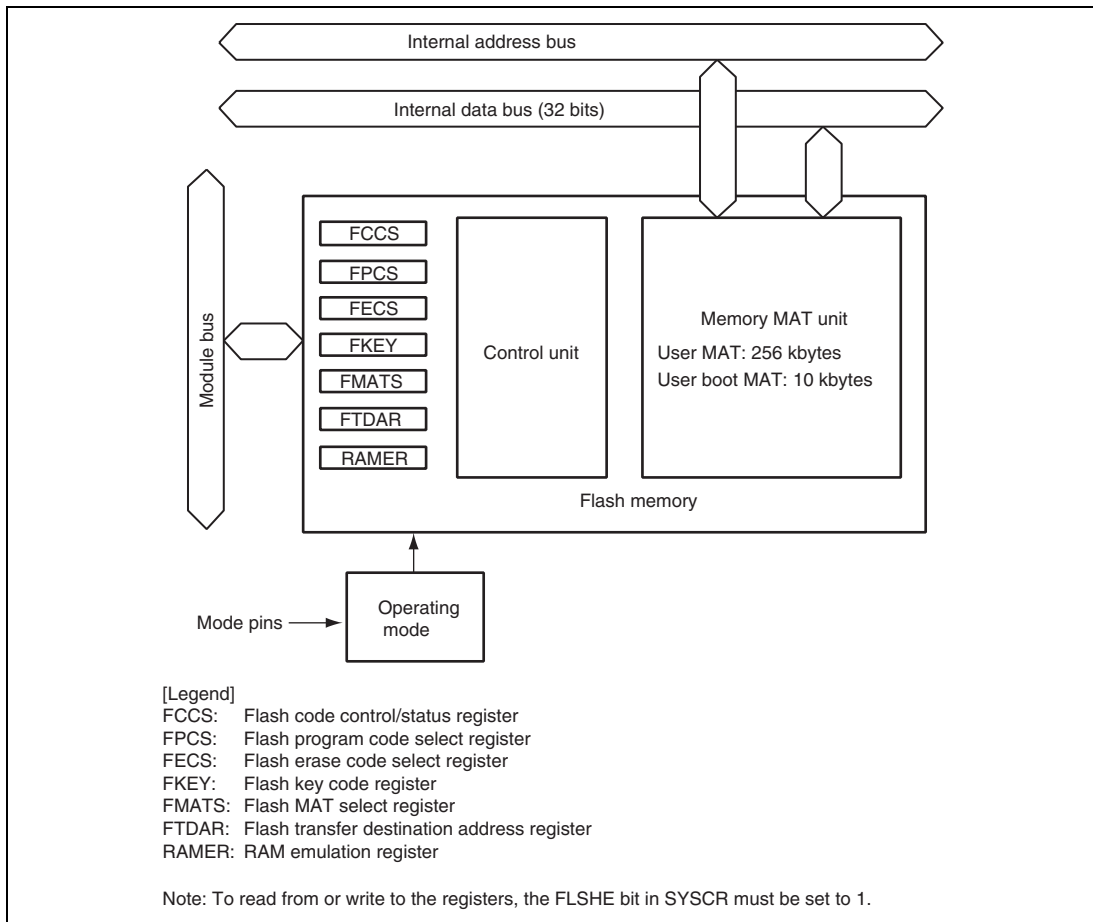


Figure 17.1 Block Diagram of Flash Memory

17.2 Mode Transition Diagram

When the mode pins are set in the reset state and reset start is performed, this LSI enters each operating mode as shown in figure 17.2. Although the flash memory can be read in user mode, it cannot be programmed or erased. The flash memory can be programmed or erased in boot mode, user program mode, user boot mode, and programmer mode. The differences between boot mode, user program mode, user boot mode, and programmer mode are shown in table 17.1.

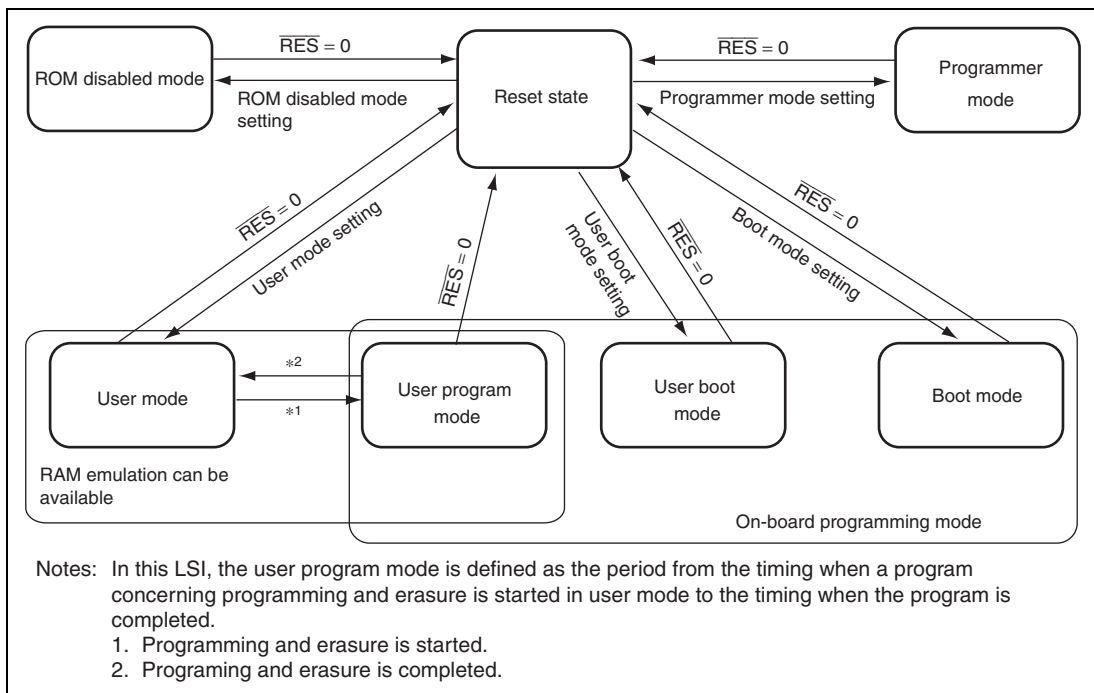


Figure 17.2 Mode Transition of Flash Memory

Table 17.1 Differences between Boot Mode, User Program Mode, User Boot Mode, and Programmer Mode

Item	Boot Mode	User Program Mode	User Boot Mode	Programmer Mode
Programming/erasing environment	On-board programming	On-board programming	On-board programming	Off-board programming
Programming/erasing enable MAT	<ul style="list-style-type: none"> • User MAT • User boot MAT 	<ul style="list-style-type: none"> • User MAT 	<ul style="list-style-type: none"> • User MAT 	<ul style="list-style-type: none"> • User MAT • User boot MAT
Programming/erasing control	Command	Programming/erasing interface	Programming/erasing interface	Command
All erasure	O (Automatic)	O	O	O (Automatic)
Block division erasure	O* ¹	O	O	×
Program data transfer	From host via SCI	From desired device via RAM	From desired device via RAM	Via programmer
RAM emulation	×	O	O	×
Reset initiation MAT	Embedded program storage area	User MAT	User boot MAT* ²	—
Transition to user mode	Changing mode and reset	Completing Programming/erasure* ³	Changing mode and reset	—

Notes: 1. All-erasure is performed. After that, the specified block can be erased.

2. First, the reset vector is fetched from the embedded program storage area. After the flash memory related registers are checked, the reset vector is fetched from the user boot MAT.

3. In this LSI, the user programming mode is defined as the period from the timing when a program concerning programming and erasure is started to the timing when the program is completed. For details on a program concerning programming and erasure, see section 17.8.2, User Program Mode.

17.3 Memory MAT Configuration

The memory MATs of flash memory in this LSI consists of the 256-kbyte user MAT and 10-kbyte user boot MAT. The start addresses of the user MAT and user boot MAT are allocated to the same address. Therefore, when the program execution or data access is performed between the two memory MATs, the memory MATs must be switched by the flash MAT select register (FMATS).

The user MAT or user boot MAT can be read in all modes. However, the user boot MAT can be programmed or erased only in boot mode and programmer mode.

The size of the user MAT is different from that of the user boot MAT. Addresses which exceed the size of the 10-kbyte user boot MAT should not be accessed. If an attempt is made, data is read as an undefined value.

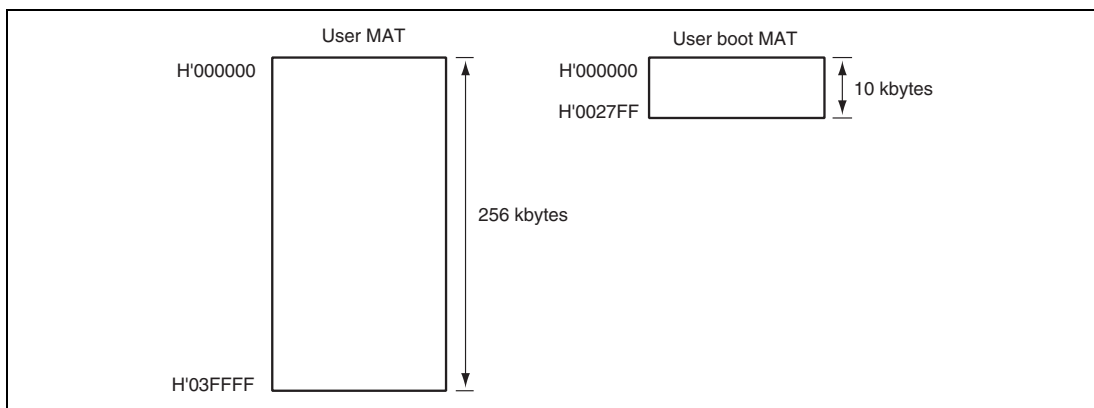


Figure 17.3 Memory MAT Configuration

17.4 Block Structure

Figure 17.4 shows the block structure of the 256-kbyte user MAT. The heavy-line frames indicate the erase blocks. The thin-line frames indicate the programming units and the values inside the frames stand for the addresses. The user MAT is divided into three 64-kbyte blocks, one 32-kbyte block, and eight 4-kbyte blocks. The user MAT can be erased in these divided block units. Programming is done in 128-byte units starting from where the lower address is H'00 or H'80. RAM emulation can be performed in the eight 4-kbyte blocks.

EB0 Erase unit: 4 kbytes	H'000000	H'000001	H'000002	←Programming unit: 128 bytes→	H'00007F
	H'000F80	H'000F81	H'000F82	-----	H'000FFF
EB1 Erase unit: 4 kbytes	H'001000	H'001001	H'001002	←Programming unit: 128 bytes→	H'00107F
	H'001F80	H'001F81	H'001F82	-----	H'001FFF
EB2 Erase unit: 4 kbytes	H'002000	H'002001	H'002002	←Programming unit: 128 bytes→	H'00207F
	H'002F80	H'002F81	H'002F82	-----	H'002FFF
EB3 Erase unit: 4 kbytes	H'003000	H'003001	H'003002	←Programming unit: 128 bytes→	H'00307F
	H'003F80	H'003F81	H'003F82	-----	H'003FFF
EB4 Erase unit: 4 kbytes	H'004000	H'004001	H'004002	←Programming unit: 128 bytes→	H'00407F
	H'004F80	H'004F81	H'004F82	-----	H'004FFF
EB5 Erase unit: 4 kbytes	H'005000	H'005001	H'005002	←Programming unit: 128 bytes→	H'00507F
	H'005F80	H'005F81	H'005F82	-----	H'005FFF
EB6 Erase unit: 4 kbytes	H'006000	H'006001	H'006002	←Programming unit: 128 bytes→	H'00607F
	H'006F80	H'006F81	H'006F82	-----	H'006FFF
EB7 Erase unit: 4 kbytes	H'007000	H'007001	H'007002	←Programming unit: 128 bytes→	H'00707F
	H'007F80	H'007F81	H'007F82	-----	H'007FFF
EB8 Erase unit: 32 kbytes	H'008000	H'008001	H'008002	←Programming unit: 128 bytes→	H'00807F
	H'00FF80	H'00FF81	H'00FF82	-----	H'00FFFF
EB9 Erase unit: 64 kbytes	H'010000	H'010001	H'010002	←Programming unit: 128 bytes→	H'01007F
	H'01FF80	H'01FF81	H'01FF82	-----	H'01FFFF
EB10 Erase unit: 64 kbytes	H'020000	H'020001	H'020002	←Programming unit: 128 bytes→	H'02007F
	H'02FF80	H'02FF81	H'02FF82	-----	H'02FFFF
EB11 Erase unit: 64 kbytes	H'030000	H'030001	H'030002	←Programming unit: 128 bytes→	H'03007F
	H'03FF80	H'03FF81	H'03FF82	-----	H'03FFFF

Figure 17.4 Block Structure of User MAT

17.5 Programming/Erasing Interface

Programming/erasing of the flash memory is done by downloading an on-chip programming/erasing program to the on-chip RAM and specifying the start address of the programming destination, the program data, and the erase block number using the programming/erasing interface registers and programming/erasing interface parameters.

The procedure program for user program mode and user boot mode is made by the user. Figure 17.5 shows the procedure for creating the procedure program. For details, see section 17.8.2, User Program Mode.

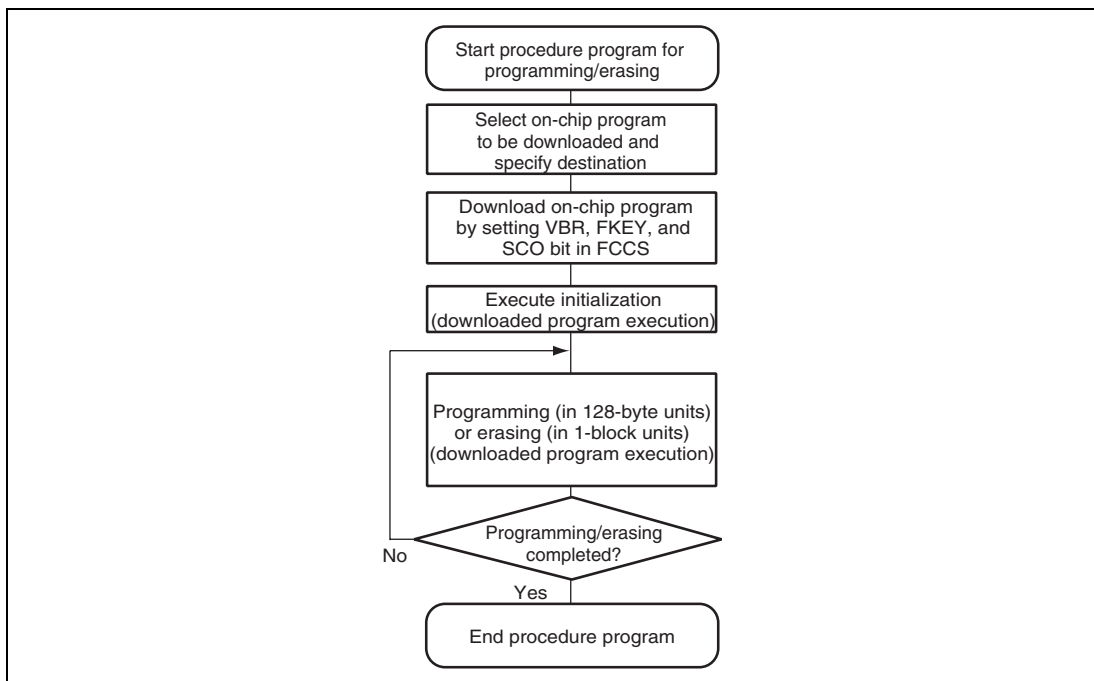


Figure 17.5 Procedure for Creating Procedure Program

(1) Selection of On-Chip Program to be Downloaded

For programming/erasing, the FLSHE bit in the system control register (SYSCR) must be set to 1 to select user program mode. This LSI has programming/erasing programs which can be downloaded to the on-chip RAM. The on-chip program to be downloaded is selected by the programming/erasing interface registers. The start address of the on-chip RAM where an on-chip program is downloaded is specified by the flash transfer destination address register (FTDAR).

(2) Download of On-Chip Program

The on-chip program is automatically downloaded by setting the flash key code register (FKEY) and the SCO bit in the flash code control/status register (FCCS) after initializing the vector base register (VBR). The memory MAT is replaced with the embedded program storage area during download. Since the memory MAT cannot be read during programming/erasing, the procedure program must be executed in a space other than the flash memory (for example, on-chip RAM). Since the download result is returned to the programming/erasing interface parameter, whether download is normally executed or not can be confirmed. The VBR contents can be changed after completion of download.

(3) Initialization of Programming/Erasing

A pulse with the specified period must be applied when programming or erasing. The specified pulse width is made by the method in which wait loop is configured by the CPU instruction. Accordingly, the operating frequency of the CPU needs to be set before programming/erasing. The operating frequency of the CPU is set by the programming/erasing interface parameter.

(4) Execution of Programming/Erasing

For programming/erasing, the FLSHE bit in SYSCR must be set to 1 to make a transition to user program mode. The start address of the programming destination and the program data are specified in 128-byte units when programming. The block to be erased is specified with the erase block number in erase-block units when erasing. Specifications of the start address of the programming destination, program data, and erase block number are performed by the programming/erasing interface parameters, and the on-chip program is initiated. The on-chip program is executed by using the JSR or BSR instruction and executing the subroutine call of the specified address in the on-chip RAM. The execution result is returned to the programming/erasing interface parameter.

The area to be programmed must be erased in advance when programming flash memory. All interrupts are disabled during programming/erasing.

(5) When Programming/Erasing is Executed Consecutively

When processing does not end by 128-byte programming or 1-block erasure, consecutive programming/erasing can be realized by updating the start address of the programming destination and program data, or the erase block number. Since the downloaded on-chip program is left in the on-chip RAM even after programming/erasing completes, download and initialization are not required when the same processing is executed consecutively.

17.6 Input/Output Pins

The flash memory is controlled through the input/output pins shown in table 17.2.

Table 17.2 Pin Configuration

Pin Name	I/O	Function
$\overline{\text{RES}}$	Input	Reset
MD1 and MD0	Input	Set operating mode of this LSI
TxD4	Output	Serial transmit data output (used in boot mode)
RxD4	Input	Serial receive data input (used in boot mode)

17.7 Register Descriptions

The flash memory has the following registers. To access these registers, the FLSHE bit in the system control register (SYSCR) must be set to 1. For details on SYSCR, see section 3.2.2, System Control Register (SYSCR).

Programming/Erasing Interface Registers:

- Flash code control/status register (FCCS)
- Flash program code select register (FPSC)
- Flash erase code select register (FECS)
- Flash key code register (FKEY)
- Flash MAT select register (FMATS)
- Flash transfer destination address register (FTDAR)

Programming/Erasing Interface Parameters:

- Download pass and fail result parameter (DPFR)
- Flash pass and fail result parameter (FPFR)
- Flash program/erase frequency parameter (FPEFEQ)
- Flash multipurpose address area parameter (FMPAR)
- Flash multipurpose data destination area parameter (FMPDR)
- Flash erase block select parameter (FEBS)
- RAM emulation register (RAMER)

There are several operating modes for accessing the flash memory. Respective operating modes, registers, and parameters are assigned to the user MAT and user boot MAT. The correspondence between operating modes and registers/parameters for use is shown in table 17.3.

Table 17.3 Registers/Parameters and Target Modes

Register/Parameter		Down- load	Initiali- zation	Program- ming	Erase	Read	RAM Emulation
Programming/ erasing interface registers	FCCS	0	—	—	—	—	—
	FPCS	0	—	—	—	—	—
	FECS	0	—	—	—	—	—
	FKEY	0	—	0	0	—	—
	FMATS	—	—	0* ¹	0* ¹	0* ²	—
	FTDAR	0	—	—	—	—	—
Programming/ erasing interface parameters	DPFR	0	—	—	—	—	—
	FPFR	—	0	0	0	—	—
	FPEFEQ	—	0	—	—	—	—
	FMPAR	—	—	0	—	—	—
	FMPDR	—	—	0	—	—	—
	FEBS	—	—	—	0	—	—
RAM emulation	RAMER	—	—	—	—	—	0

Notes: 1. The setting is required when programming or erasing the user MAT in user boot mode.
2. The setting may be required according to the combination of initiation mode and read target memory MAT.

17.7.1 Programming/Erasing Interface Registers

The programming/erasing interface registers are 8-bit registers that can be accessed only in bytes. These registers are initialized by a power-on reset.

(1) Flash Code Control/Status Register (FCCS)

FCCS monitors errors during programming/erasing the flash memory and requests the on-chip program to be downloaded to the on-chip RAM.

Bit	7	6	5	4	3	2	1	0
Bit Name	—	—	—	FLER	—	—	—	SCO
Initial Value	1	0	0	0	0	0	0	0
R/W	R	R	R	R	R	R	R	(R)/W

Bit	Bit Name	Initial Value	R/W	Description
7	—	1	R	Reserved
6	—	0	R	These are read-only bits and cannot be modified.
5	—	0	R	
4	FLER	0	R	<p>Flash Memory Error</p> <p>Indicates that an error has occurred during programming or erasing the flash memory. When this bit is set to 1, the flash memory enters the error protection state. When this bit is set to 1, high voltage is applied to the internal flash memory. To reduce the damage to the flash memory, the reset must be released after the reset input period (period of $\overline{RES} = 0$) of at least 100 μs.</p> <p>0: Flash memory operates normally (Error protection is invalid)</p> <p>[Clearing condition]</p> <ul style="list-style-type: none"> At a power-on reset <p>1: An error occurs during programming/erasing flash memory (Error protection is valid)</p> <p>[Setting conditions]</p> <ul style="list-style-type: none"> When an interrupt, such as NMI, occurs during programming/erasing. When the flash memory is read during programming/erasing (including a vector read and an instruction fetch). When the SLEEP instruction is executed during programming/erasing (including software standby mode). When a bus master other than the CPU, such as the DTC and DMAC, obtains bus mastership during programming/erasing.

Bit	Bit Name	Initial Value	R/W	Description
3 to 1	—	All 0	R	Reserved These are read-only bits and cannot be modified.
0	SCO	0	(R)/W*	<p>Source Program Copy Operation</p> <p>Requests the on-chip programming/erasing program to be downloaded to the on-chip RAM. When this bit is set to 1, the on-chip program which is selected by FPCS or FECS is automatically downloaded in the on-chip RAM area specified by FTDAR.</p> <p>In order to set this bit to 1, the RAM emulation mode must be canceled, H'A5 must be written to FKEY, and this operation must be executed in the on-chip RAM. Dummy read of FCCS must be executed twice immediately after setting this bit to 1. All interrupts must be disabled during download. This bit is cleared to 0 when download is completed.</p> <p>During program download initiated with this bit, particular processing which accompanies bank-switching of the program storage area is executed. Before a download request, initialize the VBR contents to H'00000000. After download is completed, the VBR contents can be changed.</p> <p>0: Download of the programming/erasing program is not requested.</p> <p>[Clearing condition]</p> <ul style="list-style-type: none"> • When download is completed <p>1: Download of the programming/erasing program is requested.</p> <p>[Setting conditions] (When all of the following conditions are satisfied)</p> <ul style="list-style-type: none"> • Not in RAM emulation mode (the RAMS bit in RAMER is cleared to 0) • H'A5 is written to FKEY • Setting of this bit is executed in the on-chip RAM

Note: * This is a write-only bit. This bit is always read as 0.

(2) Flash Program Code Select Register (FPCS)

FPCS selects the programming program to be downloaded.

Bit	7	6	5	4	3	2	1	0
Bit Name	—	—	—	—	—	—	—	PPVS
Initial Value	0	0	0	0	0	0	0	0
R/W	R	R	R	R	R	R	R	R/W

Bit	Bit Name	Initial Value	R/W	Description
7 to 1	—	All 0	R	Reserved These are read-only bits and cannot be modified.
0	PPVS	0	R/W	Program Pulse Verify Selects the programming program to be downloaded. 0: Programming program is not selected. [Clearing condition] When transfer is completed 1: Programming program is selected.

(3) Flash Erase Code Select Register (FECS)

FECS selects the erasing program to be downloaded.

Bit	7	6	5	4	3	2	1	0
Bit Name	—	—	—	—	—	—	—	EPVB
Initial Value	0	0	0	0	0	0	0	0
R/W	R	R	R	R	R	R	R	R/W

Bit	Bit Name	Initial Value	R/W	Description
7 to 1	—	All 0	R	Reserved These are read-only bits and cannot be modified.
0	EPVB	0	R/W	Erase Pulse Verify Block Selects the erasing program to be downloaded. 0: Erasing program is not selected. [Clearing condition] When transfer is completed 1: Erasing program is selected.

(4) Flash Key Code Register (FKEY)

FKEY is a register for software protection that enables to download the on-chip program and perform programming/erasing of the flash memory.

Bit	7	6	5	4	3	2	1	0
Bit Name	K7	K6	K5	K4	K3	K2	K1	K0
Initial Value	0	0	0	0	0	0	0	0
R/W	R/W	R/W	R/W	R/W	R/W	R/W	R/W	R/W

Bit	Bit Name	Initial Value	R/W	Description
7	K7	0	R/W	Key Code
6	K6	0	R/W	When H'A5 is written to FKEY, writing to the SCO bit in FCCS is enabled. When a value other than H'A5 is written, the SCO bit cannot be set to 1. Therefore, the on-chip program cannot be downloaded to the on-chip RAM.
5	K5	0	R/W	
4	K4	0	R/W	
3	K3	0	R/W	
2	K2	0	R/W	Only when H'5A is written can programming/erasing of the flash memory be executed. When a value other than H'5A is written, even if the programming/erasing program is executed, programming/erasing cannot be performed.
1	K1	0	R/W	
0	K0	0	R/W	
				H'A5: Writing to the SCO bit is enabled. (The SCO bit cannot be set to 1 when FKEY is a value other than H'A5.)
				H'5A: Programming/erasing of the flash memory is enabled. (When FKEY is a value other than H'5A, the software protection state is entered.)
				H'00: Initial value

(5) Flash MAT Select Register (FMATS)

FMATS selects the user MAT or user boot MAT. Writing to FMATS should be done when a program in the on-chip RAM is being executed.

Bit	7	6	5	4	3	2	1	0
Bit Name	MS7	MS6	MS5	MS4	MS3	MS2	MS1	MS0
Initial Value	0/1*	0	0/1*	0	0/1*	0	0/1*	0
R/W	R/W	R/W	R/W	R/W	R/W	R/W	R/W	R/W

Note: * This bit is set to 1 in user boot mode, otherwise cleared to 0.

Bit	Bit Name	Initial Value	R/W	Description
7	MS7	0/1*	R/W	MAT Select
6	MS6	0	R/W	The memory MATs can be switched by writing a value to FMATS.
5	MS5	0/1*	R/W	When H'AA is written to FMATS, the user boot MAT is selected. When a value other than H'AA is written, the user MAT is selected. Switch the MATs following the memory MAT switching procedure in section 17.11,
4	MS4	0	R/W	Switching between User MAT and User Boot MAT. The user boot MAT cannot be selected by FMATS in user programming mode. The user boot MAT can be selected in boot mode or programmer mode.
3	MS3	0/1*	R/W	
2	MS2	0	R/W	
1	MS1	0/1*	R/W	
0	MS0	0	R/W	
				H'AA: The user boot MAT is selected. (The user MAT is selected when FMATS is a value other than H'AA.) (Initial value when initiated in user boot mode.)
				H'00: The user MAT is selected. (Initial value when initiated in a mode except for user boot mode.)

Note: * This bit is set to 1 in user boot mode, otherwise cleared to 0.

(6) Flash Transfer Destination Address Register (FTDAR)

FTDAR specifies the start address of the on-chip RAM at which to download an on-chip program. FTDAR must be set before setting the SCO bit in FCCS to 1.

Bit	7	6	5	4	3	2	1	0
Bit Name	TDER	TDA6	TDA5	TDA4	TDA3	TDA2	TDA1	TDA0
Initial Value	0	0	0	0	0	0	0	0
R/W	R/W	R/W	R/W	R/W	R/W	R/W	R/W	R/W

Bit	Bit Name	Initial Value	R/W	Description
7	TDER	0	R/W	<p>Transfer Destination Address Setting Error</p> <p>This bit is set to 1 when an error has occurred in setting the start address specified by bits TDA6 to TDA0.</p> <p>A start address error is determined by whether the value set in bits TDA6 to TDA0 is within the range of H'00 to H'02 when download is executed by setting the SCO bit in FCCS to 1. Make sure that this bit is cleared to 0 before setting the SCO bit to 1 and the value specified by bits TDA6 to TDA0 should be within the range of H'00 to H'02.</p> <p>0: The value specified by bits TDA6 to TDA0 is within the range.</p> <p>1: The value specified by bits TDA6 to TDA0 is between H'03 and H'FF and download has stopped.</p>
6	TDA6	0	R/W	Transfer Destination Address
5	TDA5	0	R/W	Specifies the on-chip RAM start address of the download destination. A value between H'00 and H'02, and up to 4 kbytes can be specified as the start address of the on-chip RAM.
4	TDA4	0	R/W	
3	TDA3	0	R/W	
2	TDA2	0	R/W	H'00: H'FF9000 is specified as the start address.
1	TDA1	0	R/W	H'01: H'FFA000 is specified as the start address.
0	TDA0	0	R/W	H'02: H'FFB000 is specified as the start address.
				H'03 to H'7F: Setting prohibited. (Specifying a value from H'03 to H'7F sets the TDER bit to 1 and stops download of the on-chip program.)

17.7.2 Programming/Erasing Interface Parameters

The programming/erasing interface parameters specify the operating frequency, storage place for program data, start address of programming destination, and erase block number, and exchanges the execution result. These parameters use the general registers of the CPU (ER0 and ER1) or the on-chip RAM area. The initial values of programming/erasing interface parameters are undefined at a power-on reset or a transition to software standby mode.

Since registers of the CPU except for R0 are saved in the stack area during download of an on-chip program, initialization, programming, or erasing, allocate the stack area before performing these operations (the maximum stack size is 128 bytes). The return value of the processing result is written in R0. The programming/erasing interface parameters are used in download control, initialization before programming or erasing, programming, and erasing. Table 17.4 shows the usable parameters and target modes. The meaning of the bits in the flash pass and fail result parameter (FPFR) varies in initialization, programming, and erasure.

Table 17.4 Parameters and Target Modes

Parameter	Download	Initialization	Programming	Erasure	R/W	Initial Value	Allocation
DPFR	○	—	—	—	R/W	Undefined	On-chip RAM*
FPFR	—	○	○	○	R/W	Undefined	R0L of CPU
FPEFEQ	—	○	—	—	R/W	Undefined	ER0 of CPU
FMPAR	—	—	○	—	R/W	Undefined	ER1 of CPU
FMPDR	—	—	○	—	R/W	Undefined	ER0 of CPU
FEBS	—	—	—	○	R/W	Undefined	ER0 of CPU

Note: * A single byte of the start address of the on-chip RAM specified by FTDAR

Download Control: The on-chip program is automatically downloaded by setting the SCO bit in FCCS to 1. The on-chip RAM area to download the on-chip program is the 4-kbyte area starting from the start address specified by FTDAR. Download is set by the programming/erasing interface registers, and the download pass and fail result parameter (DPFR) indicates the return value.

Initialization before Programming/Erasing: The on-chip program includes the initialization program. A pulse with the specified period must be applied when programming or erasing. The specified pulse width is made by the method in which wait loop is configured by the CPU instruction. Accordingly, the operating frequency of the CPU must be set. The initial program is set as a parameter of the programming/erasing program which has been downloaded to perform these settings.

Programming: When the flash memory is programmed, the start address of the programming destination on the user MAT and the program data must be passed to the programming program.

The start address of the programming destination on the user MAT must be stored in general register ER1. This parameter is called the flash multipurpose address area parameter (FMPAR).

The program data is always in 128-byte units. When the program data does not satisfy 128 bytes, 128-byte program data is prepared by filling the dummy code (H'FF). The boundary of the start address of the programming destination on the user MAT is aligned at an address where the lower eight bits (A7 to A0) are H'00 or H'80.

The program data for the user MAT must be prepared in consecutive areas. The program data must be in a consecutive space which can be accessed using the MOV.B instruction of the CPU and is not in the flash memory space.

The start address of the area that stores the data to be written in the user MAT must be set in general register ER0. This parameter is called the flash multipurpose data destination area parameter (FMPDR).

For details on the programming procedure, see section 17.8.2, User Program Mode.

Erasure: When the flash memory is erased, the erase block number on the user MAT must be passed to the erasing program which is downloaded.

The erase block number on the user MAT must be set in general register ER0. This parameter is called the flash erase block select parameter (FEBS).

One block is selected from the block numbers of 0 to 11 as the erase block number.

For details on the erasing procedure, see section 17.8.2, User Program Mode.

(1) Download Pass and Fail Result Parameter (DPFR: Single Byte of Start Address in On-Chip RAM Specified by FTDAR)

DPFR indicates the return value of the download result. The DPFR value is used to determine the download result.

Bit	7	6	5	4	3	2	1	0
Bit Name	—	—	—	—	—	SS	FK	SF

Bit	Bit Name	Initial Value	R/W	Description
7 to 3	—	—	—	Unused These bits return 0.
2	SS	—	R/W	Source Select Error Detect Only one type can be specified for the on-chip program which can be downloaded. When the program to be downloaded is not selected, more than two types of programs are selected, or a program which is not mapped is selected, an error occurs. 0: Download program selection is normal 1: Download program selection is abnormal
1	FK	—	R/W	Flash Key Register Error Detect Checks the FKEY value (H'A5) and returns the result. 0: FKEY setting is normal (H'A5) 1: FKEY setting is abnormal (value other than H'A5)
0	SF	—	R/W	Success/Fail Returns the download result. Reads back the program downloaded to the on-chip RAM and determines whether it has been transferred to the on-chip RAM. 0: Download of the program has ended normally (no error) 1: Download of the program has ended abnormally (error occurs)

(2) Flash Pass and Fail Parameter (FPFR: General Register R0L of CPU)

FPFR indicates the return values of the initialization, programming, and erasure results. The meaning of the bits in FPFR varies depending on the processing.

(a) Initialization before programming/erasing

FPFR indicates the return value of the initialization result.

Bit	7	6	5	4	3	2	1	0
Bit Name	—	—	—	—	—	—	FQ	SF

Bit	Bit Name	Initial Value	R/W	Description
7 to 2	—	—	—	Unused These bits return 0.
1	FQ	—	R/W	Frequency Error Detect Compares the specified CPU operating frequency with the operating frequencies supported by this LSI, and returns the result. 0: Setting of operating frequency is normal 1: Setting of operating frequency is abnormal
0	SF	—	R/W	Success/Fail Returns the initialization result. 0: Initialization has ended normally (no error) 1: Initialization has ended abnormally (error occurs)

(b) Programming

PPFR indicates the return value of the programming result.

Bit	7	6	5	4	3	2	1	0
Bit Name	—	MD	EE	FK	—	WD	WA	SF

Bit	Bit Name	Initial Value	R/W	Description
7	—	—	—	Unused Returns 0.
6	MD	—	R/W	<p>Programming Mode Related Setting Error Detect</p> <p>Detects the error protection state and returns the result. When the error protection state is entered, this bit is set to 1. Whether the error protection state is entered or not can be confirmed with the FLER bit in FCCS. For conditions to enter the error protection state, see section 17.9.3, Error Protection.</p> <p>0: Normal operation (FLER = 0)</p> <p>1: Error protection state, and programming cannot be performed (FLER = 1)</p>
5	EE	—	R/W	<p>Programming Execution Error Detect</p> <p>Writes 1 to this bit when the specified data could not be written because the user MAT was not erased. If this bit is set to 1, there is a high possibility that the user MAT has been written to partially. In this case, after removing the error factor, erase the user MAT. If FMATS is set to H'AA and the user boot MAT is selected, an error occurs when programming is performed. In this case, both the user MAT and user boot MAT have not been written to. Programming the user boot MAT should be performed in boot mode or programmer mode.</p> <p>0: Programming has ended normally</p> <p>1: Programming has ended abnormally (programming result is not guaranteed)</p>

Bit	Bit Name	Initial Value	R/W	Description
4	FK	—	R/W	Flash Key Register Error Detect Checks the FKEY value (H'5A) before programming starts, and returns the result. 0: FKEY setting is normal (H'5A) 1: FKEY setting is abnormal (value other than H'5A)
3	—	—	—	Unused Returns 0.
2	WD	—	R/W	Write Data Address Detect When an address not in the flash memory area is specified as the start address of the storage destination for the program data, an error occurs. 0: Setting of the start address of the storage destination for the program data is normal 1: Setting of the start address of the storage destination for the program data is abnormal
1	WA	—	R/W	Write Address Error Detect When the following items are specified as the start address of the programming destination, an error occurs. <ul style="list-style-type: none"> • An area other than flash memory • The specified address is not aligned with the 128-byte boundary (lower eight bits of the address are other than H'00 and H'80) 0: Setting of the start address of the programming destination is normal 1: Setting of the start address of the programming destination is abnormal
0	SF	—	R/W	Success/Fail Returns the programming result. 0: Programming has ended normally (no error) 1: Programming has ended abnormally (error occurs)

(c) Erasure

FPFR indicates the return value of the erasure result.

Bit	7	6	5	4	3	2	1	0
Bit Name	—	MD	EE	FK	EB	—	—	SF

Bit	Bit Name	Initial Value	R/W	Description
7	—	—	—	Unused Returns 0.
6	MD	—	R/W	Erasure Mode Related Setting Error Detect Detects the error protection state and returns the result. When the error protection state is entered, this bit is set to 1. Whether the error protection state is entered or not can be confirmed with the FLER bit in FCCS. For conditions to enter the error protection state, see section 17.9.3, Error Protection. 0: Normal operation (FLER = 0) 1: Error protection state, and programming cannot be performed (FLER = 1)
5	EE	—	R/W	Erasure Execution Error Detect Returns 1 when the user MAT could not be erased or when the flash memory related register settings are partially changed. If this bit is set to 1, there is a high possibility that the user MAT has been erased partially. In this case, after removing the error factor, erase the user MAT. If FMATS is set to H'AA and the user boot MAT is selected, an error occurs when erasure is performed. In this case, both the user MAT and user boot MAT have not been erased. Erasing of the user boot MAT should be performed in boot mode or programmer mode. 0: Erasure has ended normally 1: Erasure has ended abnormally

Bit	Bit Name	Initial Value	R/W	Description
4	FK	—	R/W	Flash Key Register Error Detect Checks the FKEY value (H'5A) before erasure starts, and returns the result. 0: FKEY setting is normal (H'5A) 1: FKEY setting is abnormal (value other than H'5A)
3	EB	—	R/W	Erase Block Select Error Detect Checks whether the specified erase block number is in the block range of the user MAT, and returns the result. 0: Setting of erase block number is normal 1: Setting of erase block number is abnormal
2, 1	—	—	—	Unused These bits return 0.
0	SF	—	R/W	Success/Fail Indicates the erasure result. 0: Erasure has ended normally (no error) 1: Erasure has ended abnormally (error occurs)

(3) Flash Program/Erase Frequency Parameter (FPEFEQ: General Register ER0 of CPU)

FPEFEQ sets the operating frequency of the CPU. The CPU operating frequency available in this LSI ranges from 8 MHz to 48 MHz.

Bit	31	30	29	28	27	26	25	24
Bit Name	—	—	—	—	—	—	—	—
Bit	23	22	21	20	19	18	17	16
Bit Name	—	—	—	—	—	—	—	—
Bit	15	14	13	12	11	10	9	8
Bit Name	F15	F14	F13	F12	F11	F10	F9	F8
Bit	7	6	5	4	3	2	1	0
Bit Name	F7	F6	F5	F4	F3	F2	F1	F0

Bit	Bit Name	Initial Value	R/W	Description
31 to 16	—	—	—	Unused These bits should be cleared to 0.
15 to 0	F15 to F0	—	R/W	<p>Frequency Set</p> <p>These bits set the operating frequency of the CPU. When the PLL multiplication function is used, set the multiplied frequency. The setting value must be calculated as follows:</p> <ol style="list-style-type: none"> 1. The operating frequency shown in MHz units must be rounded in a number of three decimal places and be shown in a number of two decimal places. 2. The value multiplied by 100 is converted to the binary digit and is written to FPEFEQ (general register ER0). <p>For example, when the operating frequency of the CPU is 33.000 MHz, the value is as follows:</p> <ol style="list-style-type: none"> 1. The number of three decimal places of 33.000 is rounded. 2. The formula of $33.00 \times 100 = 3300$ is converted to the binary digit and B'0000 1100 1110 0100 (H'0CE4) is set to ER0.

(4) Flash Multipurpose Address Area Parameter (FMPAR: General Register ER1 of CPU)

FMPAR stores the start address of the programming destination on the user MAT.

When an address in an area other than the flash memory is set, or the start address of the programming destination is not aligned with the 128-byte boundary, an error occurs. The error occurrence is indicated by the WA bit in FPFR.

Bit	31	30	29	28	27	26	25	24
Bit Name	MOA31	MOA30	MOA29	MOA28	MOA27	MOA26	MOA25	MOA24

Bit	23	22	21	20	19	18	17	16
Bit Name	MOA23	MOA22	MOA21	MOA20	MOA19	MOA18	MOA17	MOA16

Bit	15	14	13	12	11	10	9	8
Bit Name	MOA15	MOA14	MOA13	MOA12	MOA11	MOA10	MOA9	MOA8

Bit	7	6	5	4	3	2	1	0
Bit Name	MOA7	MOA6	MOA5	MOA4	MOA3	MOA2	MOA1	MOA0

Bit	Bit Name	Initial Value	R/W	Description
31 to 0	MOA31 to MOA0	—	R/W	These bits store the start address of the programming destination on the user MAT. Consecutive 128-byte programming is executed starting from the specified start address of the user MAT. Therefore, the specified start address of the programming destination becomes a 128-byte boundary, and MOA6 to MOA0 are always cleared to 0.

(5) Flash Multipurpose Data Destination Parameter (FMPDR: General Register ER0 of CPU)

FMPDR stores the start address in the area which stores the data to be programmed in the user MAT.

When the storage destination for the program data is in flash memory, an error occurs. The error occurrence is indicated by the WD bit in FPCR.

Bit	31	30	29	28	27	26	25	24
Bit Name	MOD31	MOD30	MOD29	MOD28	MOD27	MOD26	MOD25	MOD24
Bit	23	22	21	20	19	18	17	16
Bit Name	MOD23	MOD22	MOD21	MOD20	MOD19	MOD18	MOD17	MOD16
Bit	15	14	13	12	11	10	9	8
Bit Name	MOD15	MOD14	MOD13	MOD12	MOD11	MOD10	MOD9	MOD8
Bit	7	6	5	4	3	2	1	0
Bit Name	MOD7	MOD6	MOD5	MOD4	MOD3	MOD2	MOD1	MOD0

Bit	Bit Name	Initial Value	R/W	Description
31 to 0	MOD31 to MOD0	—	R/W	These bits store the start address of the area which stores the program data for the user MAT. Consecutive 128-byte data is programmed to the user MAT starting from the specified start address.

(6) Flash Erase Block Select Parameter (FEBS: General Register ER0 of CPU)

FEBS specifies the erase block number. Settable values for the erase block numbers range from 0 to 11 (H'00000000 to H'0000000B). A value of 0 corresponds to block EB0 and a value of 11 corresponds to block EB11. An error occurs when a value outside the range from 0 to 11 is set.

Bit	31	30	29	28	27	26	25	24
Bit Name								
Initial Value	—	—	—	—	—	—	—	—
R/W	R/W	R/W	R/W	R/W	R/W	R/W	R/W	R/W
Bit	23	22	21	20	19	18	17	16
Bit Name								
Initial Value	—	—	—	—	—	—	—	—
R/W	R/W	R/W	R/W	R/W	R/W	R/W	R/W	R/W
Bit	15	14	13	12	11	10	9	8
Bit Name								
Initial Value	—	—	—	—	—	—	—	—
R/W	R/W	R/W	R/W	R/W	R/W	R/W	R/W	R/W
Bit	7	6	5	4	3	2	1	0
Bit Name								
Initial Value	—	—	—	—	—	—	—	—
R/W	R/W	R/W	R/W	R/W	R/W	R/W	R/W	R/W

17.7.3 RAM Emulation Register (RAMER)

RAMER specifies the user MAT area overlaid with part of the on-chip RAM (H'FFFA000 to H'FFFAFFF) when performing emulation of programming the user MAT. RAMER should be set in user mode or user program mode. To ensure dependable emulation, the memory MAT to be emulated must not be accessed immediately after changing the RAMER contents. When accessed at such a timing, correct operation is not guaranteed.

Bit	7	6	5	4	3	2	1	0
Bit Name	—	—	—	—	RAMS	RAM2	RAM1	RAM0
Initial Value	0	0	0	0	0	0	0	0
R/W	R	R	R	R	R/W	R/W	R/W	R/W

Bit	Bit Name	Initial Value	R/W	Description
7 to 4	—	0	R	Reserved These are read-only bits and cannot be modified.
3	RAMS	0	R/W	RAM Select Selects the function which emulates the flash memory using the on-chip RAM. 0: Disables RAM emulation function 1: Enables RAM emulation function (all blocks of the user MAT are protected against programming and erasing)
2	RAM2	0	R/W	Flash Memory Area Select
1	RAM1	0	R/W	These bits select the user MAT area overlaid with the on-chip RAM when RAMS = 1. The following areas correspond to the 4-kbyte erase blocks. 000: H'000000 to H'000FFF (EB0) 001: H'001000 to H'001FFF (EB1) 010: H'002000 to H'002FFF (EB2) 011: H'003000 to H'003FFF (EB3) 100: H'004000 to H'004FFF (EB4) 101: H'005000 to H'005FFF (EB5) 110: H'006000 to H'006FFF (EB6) 111: H'007000 to H'007FFF (EB7)
0	RAM0	0	R/W	

17.8 On-Board Programming Mode

When the mode pins (MD0, MD1, and MD2) are set to on-board programming mode and the reset start is executed, a transition is made to on-board programming mode in which the on-chip flash memory can be programmed/erased. On-board programming mode has three operating modes: boot mode, user boot mode, and user program mode.

Table 17.5 shows the pin setting for each operating mode. For details on the state transition of each operating mode for flash memory, see figure 17.2.

Table 17.5 On-Board Programming Mode Setting

Mode Setting	MD1	MD0
User boot mode	0	1
Boot mode	1	0
User program mode	1	1

17.8.1 Boot Mode

Boot mode executes programming/erasing of the user MAT or user boot MAT by means of the control command and program data transmitted from the externally connected host via the on-chip SCI_4.

In boot mode, the tool for transmitting the control command and program data, and the program data must be prepared in the host. The serial communication mode is set to asynchronous mode. The system configuration in boot mode is shown in figure 17.6. Interrupts are ignored in boot mode. Configure the user system so that interrupts do not occur.

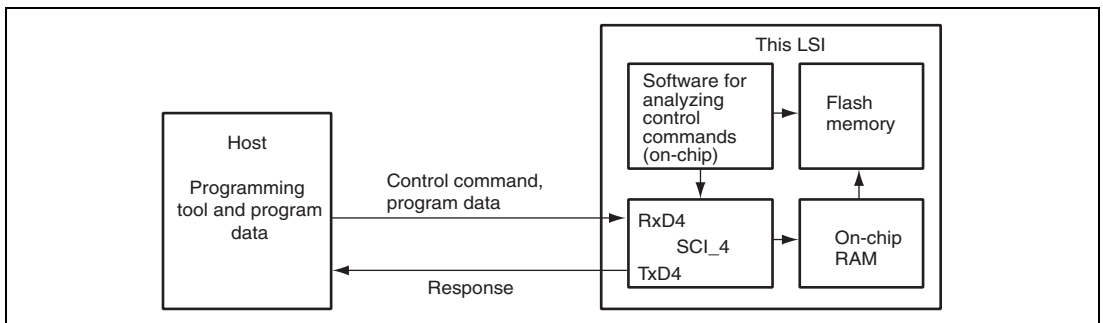


Figure 17.6 System Configuration in Boot Mode

(1) Serial Interface Setting by Host

The SCI_4 is set to asynchronous mode, and the serial transmit/receive format is set to 8-bit data, one stop bit, and no parity.

When a transition to boot mode is made, the boot program embedded in this LSI is initiated.

When the boot program is initiated, this LSI measures the low period of asynchronous serial communication data (H'00) transmitted consecutively by the host, calculates the bit rate, and adjusts the bit rate of the SCI_4 to match that of the host.

When bit rate adjustment is completed, this LSI transmits 1 byte of H'00 to the host as the bit adjustment end sign. When the host receives this bit adjustment end sign normally, it transmits 1 byte of H'55 to this LSI. When reception is not executed normally, initiate boot mode again. The bit rate may not be adjusted within the allowable range depending on the combination of the bit rate of the host and the system clock frequency of this LSI. Therefore, the transfer bit rate of the host and the system clock frequency of this LSI must be as shown in table 17.6.

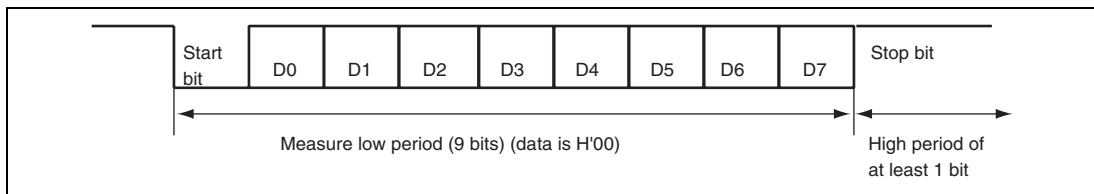


Figure 17.7 Automatic-Bit-Rate Adjustment Operation

Table 17.6 System Clock Frequency for Automatic-Bit-Rate Adjustment

Bit Rate of Host	System Clock Frequency of This LSI	External Clock Frequency
9,600 bps	8 to 18 MHz	4 to 9 MHz
19,200 bps	16 to 18 MHz	8 to 9 MHz

(2) State Transition Diagram

The state transition after boot mode is initiated is shown in figure 17.8.

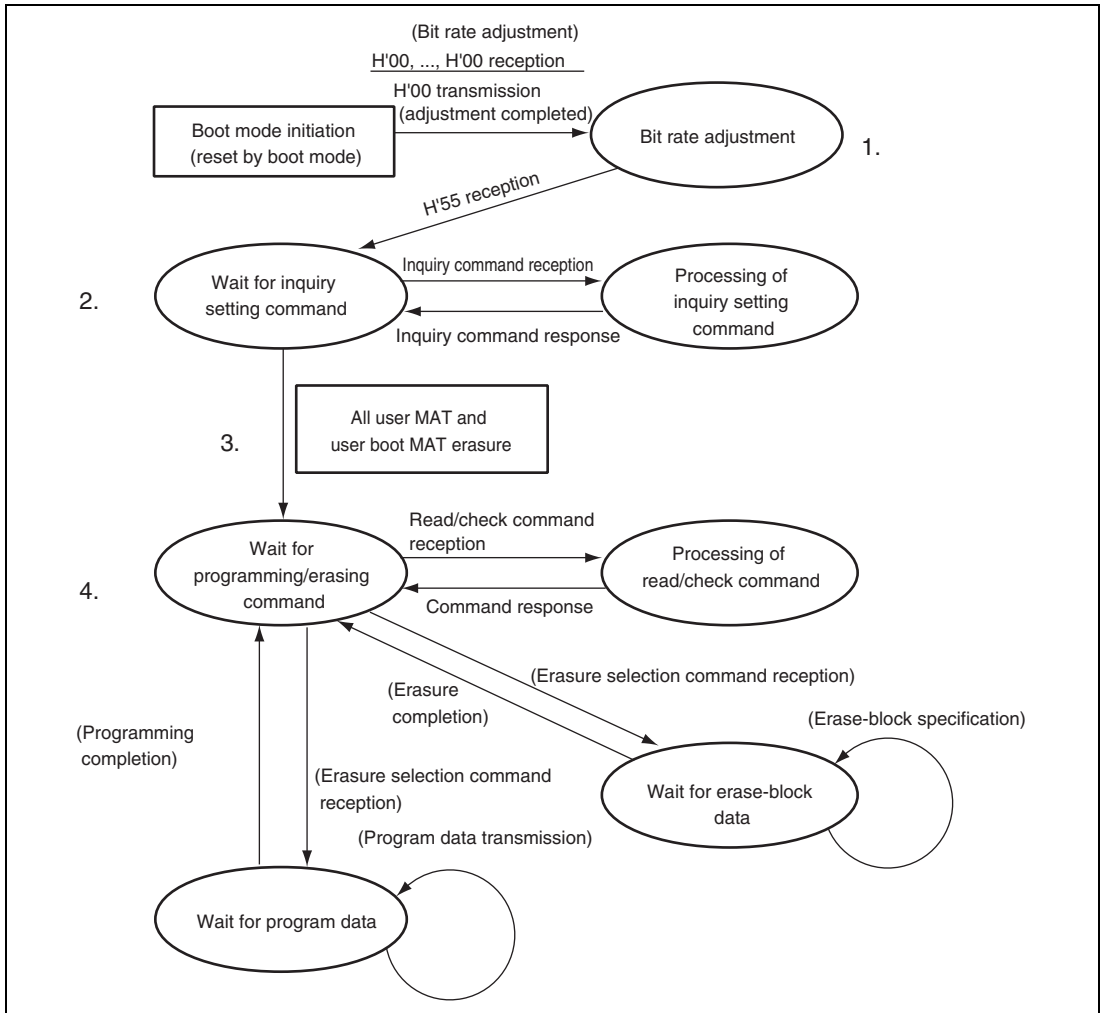


Figure 17.8 Boot Mode State Transition Diagram

1. After boot mode is initiated, the bit rate of the SCI_4 is adjusted with that of the host.
2. Inquiry information about the size, configuration, start address, and support status of the user MAT is transmitted to the host.
3. After inquiries have finished, all user MAT and user boot MAT are automatically erased.
4. When the program preparation notice is received, the state of waiting for program data is entered. The start address of the programming destination and program data must be transmitted after the programming command is transmitted. When programming is finished, the start address of the programming destination must be set to H'FFFFFFF and transmitted. Then the state of waiting for program data is returned to the state of waiting for programming/erasing command. When the erasure preparation notice is received, the state of waiting for erase block data is entered. The erase block number must be transmitted after the erasing command is transmitted. When the erasure is finished, the erase block number must be set to H'FF and transmitted. Then the state of waiting for erase block data is returned to the state of waiting for programming/erasing command. Erasure must be executed when the specified block is programmed without a reset start after programming is executed in boot mode. When programming can be executed by only one operation, all blocks are erased before entering the state of waiting for programming/erasing command or another command. Thus, in this case, the erasing operation is not required. The commands other than the programming/erasing command perform sum check, blank check (erasure check), and memory read of the user MAT/user boot MAT and acquisition of current status information.

Memory read of the user MAT/user boot MAT can only read the data programmed after all user MAT/user boot MAT has automatically been erased. No other data can be read.

17.8.2 User Program Mode

Programming/erasing of the user MAT is executed by downloading an on-chip program. The user boot MAT cannot be programmed/erased in user program mode. The programming/erasing flow is shown in figure 17.9.

Since high voltage is applied to the internal flash memory during programming/erasing, a transition to the reset state or hardware standby mode must not be made during programming/erasing. A transition to the reset state or hardware standby mode during programming/erasing may damage the flash memory. If a reset is input, the reset must be released after the reset input period (period of $RES = 0$) of at least 100 μ s.

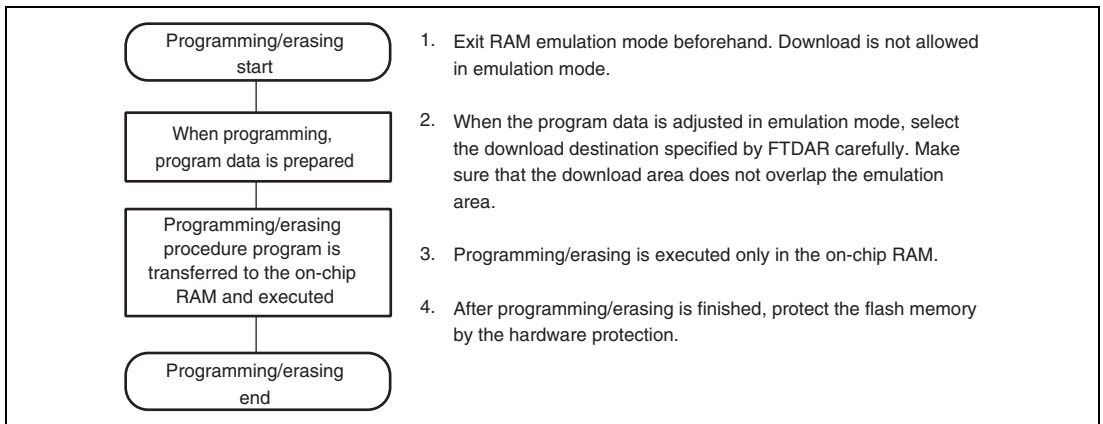


Figure 17.9 Programming/Erasing Flow

(1) On-Chip RAM Address Map when Programming/Erasing is Executed

Parts of the procedure program that is made by the user, like download request, programming/erasing procedure, and decision of the result, must be executed in the on-chip RAM. Since the on-chip program to be downloaded is embedded in the on-chip RAM, make sure the on-chip program and procedure program do not overlap. Figure 17.10 shows the area of the on-chip program to be downloaded.

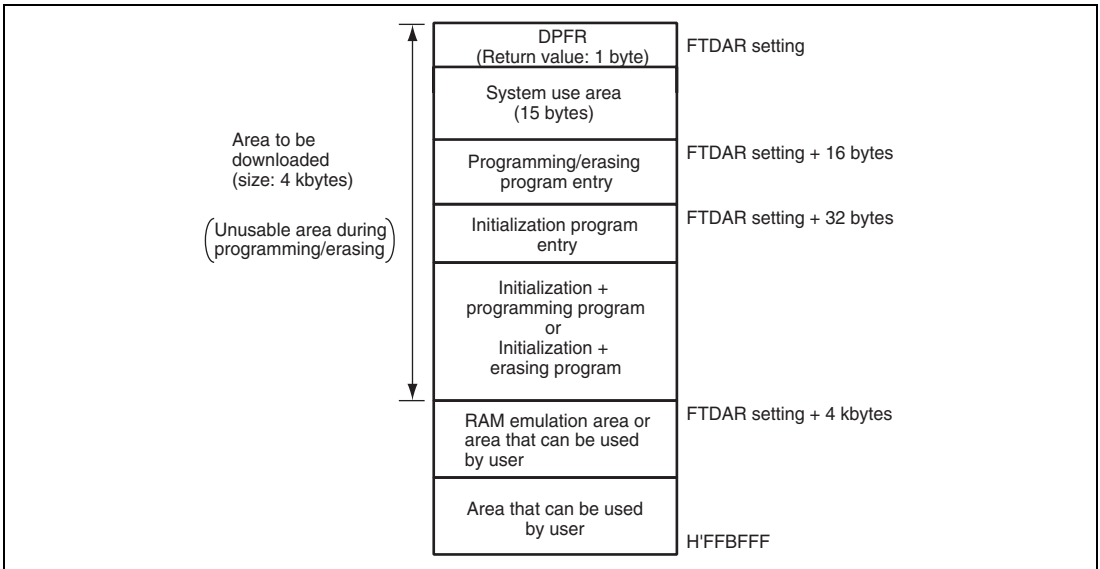


Figure 17.10 RAM Map when Programming/Erasing is Executed

(2) Programming Procedure in User Program Mode

The procedures for download of the on-chip program, initialization, and programming are shown in figure 17.11.

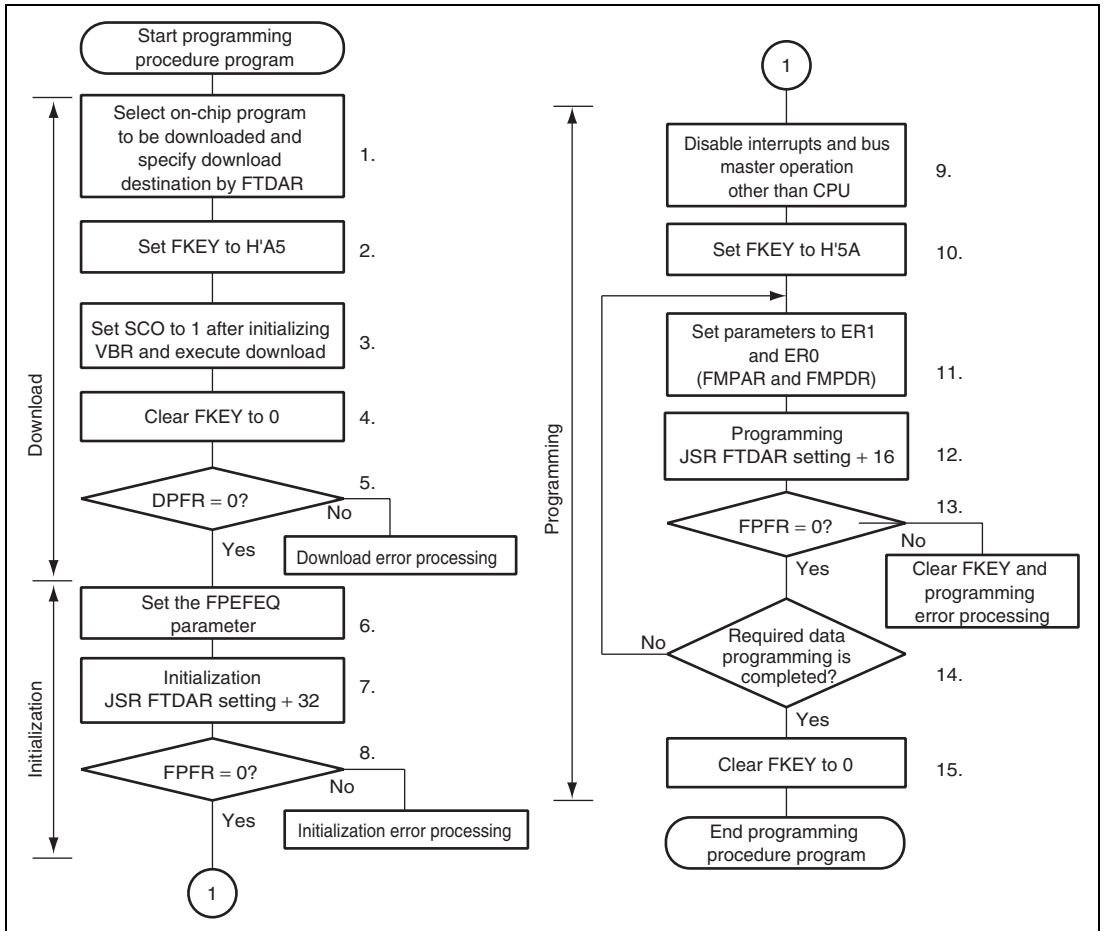


Figure 17.11 Programming Procedure in User Program Mode

The procedure program must be executed in an area other than the flash memory to be programmed. Setting the SCO bit in FCCS to 1 to request download must be executed in the on-chip RAM. The area that can be executed in the steps of the procedure program (on-chip RAM and user MAT) is shown in section 17.8.4, On-Chip Program and Storable Area for Program Data. The following description assumes that the area to be programmed on the user MAT is erased and that program data is prepared in the consecutive area.

The program data for one programming operation is always 128 bytes. When the program data exceeds 128 bytes, the start address of the programming destination and program data parameters are updated in 128-byte units and programming is repeated. When the program data is less than 128 bytes, invalid data is filled to prepare 128-byte program data. If the invalid data to be added is H'FF, the program processing time can be shortened.

1. Select the on-chip program to be downloaded and the download destination. When the PPVS bit in FPCS is set to 1, the programming program is selected. Several programming/erasing programs cannot be selected at one time. If several programs are selected, a download error is returned to the SS bit in the DPFR parameter. The on-chip RAM start address of the download destination is specified by FTDAR.
2. Write H'A5 in FKEY. If H'A5 is not written to FKEY, the SCO bit in FCCS cannot be set to 1 to request download of the on-chip program.
3. After initializing VBR to H'00000000, set the SCO bit to 1 to execute download. To set the SCO bit to 1, all of the following conditions must be satisfied.
 - RAM emulation mode has been canceled.
 - H'A5 is written to FKEY.
 - Setting the SCO bit is executed in the on-chip RAM.

When the SCO bit is set to 1, download is started automatically. Since the SCO bit is cleared to 0 when the procedure program is resumed, the SCO bit cannot be confirmed to be 1 in the procedure program. The download result can be confirmed by the return value of the DPFR parameter. To prevent incorrect decision, before setting the SCO bit to 1, set one byte of the on-chip RAM start address specified by FTDAR, which becomes the DPFR parameter, to a value other than the return value (e.g. H'FF). Since particular processing that is accompanied by bank switching as described below is performed when download is executed, initialize the VBR contents to H'00000000. Dummy read of FCCS must be performed twice immediately after the SCO bit is set to 1.

- The user-MAT space is switched to the on-chip program storage area.
- After the program to be downloaded and the on-chip RAM start address specified by FTDAR are checked, they are transferred to the on-chip RAM.
- FPCS, FECS, and the SCO bit in FCCS are cleared to 0.
- The return value is set in the DPFR parameter.

- After the on-chip program storage area is returned to the user-MAT space, the procedure program is resumed. After that, VBR can be set again.
 - The values of general registers of the CPU are held.
 - During download, no interrupts can be accepted. However, since the interrupt requests are held, when the procedure program is resumed, the interrupts are requested.
 - To hold a level-detection interrupt request, the interrupt must continue to be input until the download is completed.
 - Allocate a stack area of 128 bytes at the maximum in the on-chip RAM before setting the SCO bit to 1.
 - If access to the flash memory is requested by the DTC or DMAC during download, the operation cannot be guaranteed. Make sure that an access request by the DTC or DMAC is not generated.
4. FKEY is cleared to H'00 for protection.
 5. The download result must be confirmed by the value of the DPFR parameter. Check the value of the DPFR parameter (one byte of start address of the download destination specified by FTDAR). If the value of the DPFR parameter is H'00, download has been performed normally. If the value is not H'00, the source that caused download to fail can be investigated by the description below.
 - If the value of the DPFR parameter is the same as that before downloading, the setting of the start address of the download destination in FTDAR may be abnormal. In this case, confirm the setting of the TDER bit in FTDAR.
 - If the value of the DPFR parameter is different from that before downloading, check the SS bit or FK bit in the DPFR parameter to confirm the download program selection and FKEY setting, respectively.
 6. The operating frequency of the CPU is set in the FPEFEQ parameter for initialization. The settable operating frequency of the FPEFEQ parameter ranges from 8 to 48 MHz. When the frequency is set otherwise, an error is returned to the FPFPR parameter of the initialization program and initialization is not performed. For details on setting the frequency, see section 17.7.2 (3), Flash Program/Erase Frequency Parameter (FPEFEQ).
 7. Initialization is executed. The initialization program is downloaded together with the programming program to the on-chip RAM. The entry point of the initialization program is at the address which is 32 bytes after #DLTOP (start address of the download destination specified by FTDAR). Call the subroutine to execute initialization by using the following steps.

```

MOV.L #DLTOP+32,ER2    ; Set entry address to ER2
JSR   @ER2             ; Call initialization routine
NOP

```

- The general registers other than ER0 and ER1 are held in the initialization program.
 - R0L is a return value of the FPFRR parameter.
 - Since the stack area is used in the initialization program, a stack area of 128 bytes at the maximum must be allocated in RAM.
 - Interrupts can be accepted during execution of the initialization program. Make sure the program storage area and stack area in the on-chip RAM and register values are not overwritten.
8. The return value in the initialization program, the FPFRR parameter is determined.
 9. All interrupts and the use of a bus master other than the CPU are disabled during programming/erasing. The specified voltage is applied for the specified time when programming or erasing. If interrupts occur or the bus mastership is moved to other than the CPU during programming/erasing, causing a voltage exceeding the specifications to be applied, the flash memory may be damaged. Therefore, interrupts are disabled by setting bit 7 (I bit) in the condition code register (CCR) to B'1 in interrupt control mode 0 and by setting bits 2 to 0 (I2 to I0 bits) in the extend register (EXR) to B'111 in interrupt control mode 2. Accordingly, interrupts other than NMI are held and not executed. Configure the user system so that NMI interrupts do not occur. The interrupts that are held must be executed after all programming completes. When the bus mastership is moved to other than the CPU, such as to the DTC or DMAC, the error protection state is entered. Therefore, make sure the DTC and DMAC do not acquire the bus.
 10. FKEY must be set to H'5A and the user MAT must be prepared for programming.
 11. The parameters required for programming are set. The start address of the programming destination on the user MAT (FMPAR parameter) is set in general register ER1. The start address of the program data storage area (FMPDR parameter) is set in general register ER0.
 - Example of FMPAR parameter setting: When an address other than one in the user MAT area is specified for the start address of the programming destination, even if the programming program is executed, programming is not executed and an error is returned to the FPFRR parameter. Since the program data for one programming operation is 128 bytes, the lower eight bits of the address must be H'00 or H'80 to be aligned with the 128-byte boundary.
 - Example of FMPDR parameter setting: When the storage destination for the program data is flash memory, even if the programming routine is executed, programming is not executed and an error is returned to the FPFRR parameter. In this case, the program data must be transferred to the on-chip RAM and then programming must be executed.

12. Programming is executed. The entry point of the programming program is at the address which is 16 bytes after #DLTOP (when start address of the download destination specified by FTDAR is #DLTOP). Call the subroutine to execute programming by using the following steps.

```
MOV.L    #DLTOP+16,ER2    ; Set entry address to ER2
JSR      @ER2              ; Call programming routine
NOP
```

- The general registers other than ER0 and ER1 are held in the programming program.
 - R0L is a return value of the FPFR parameter.
 - Since the stack area is used in the programming program, a stack area of 128 bytes at the maximum must be allocated in RAM.
13. The return value in the programming program, the FPFR parameter is determined.
14. Determine whether programming of the necessary data has finished. If more than 128 bytes of data are to be programmed, update the FMPAR and FMPDR parameters in 128-byte units, and repeat steps 11 to 14. Increment the programming destination address by 128 bytes and update the programming data pointer correctly. If an address which has already been programmed is written to again, not only will a programming error occur, but also flash memory will be damaged.
15. After programming finishes, clear FKEY and specify software protection. If this LSI is restarted by a reset immediately after programming has finished, secure the reset input period (period of $\overline{\text{RES}} = 0$) of at least 100 μ s.

(3) Erasing Procedure in User Program Mode

The procedures for download of the on-chip program, initialization, and erasing are shown in figure 17.12.

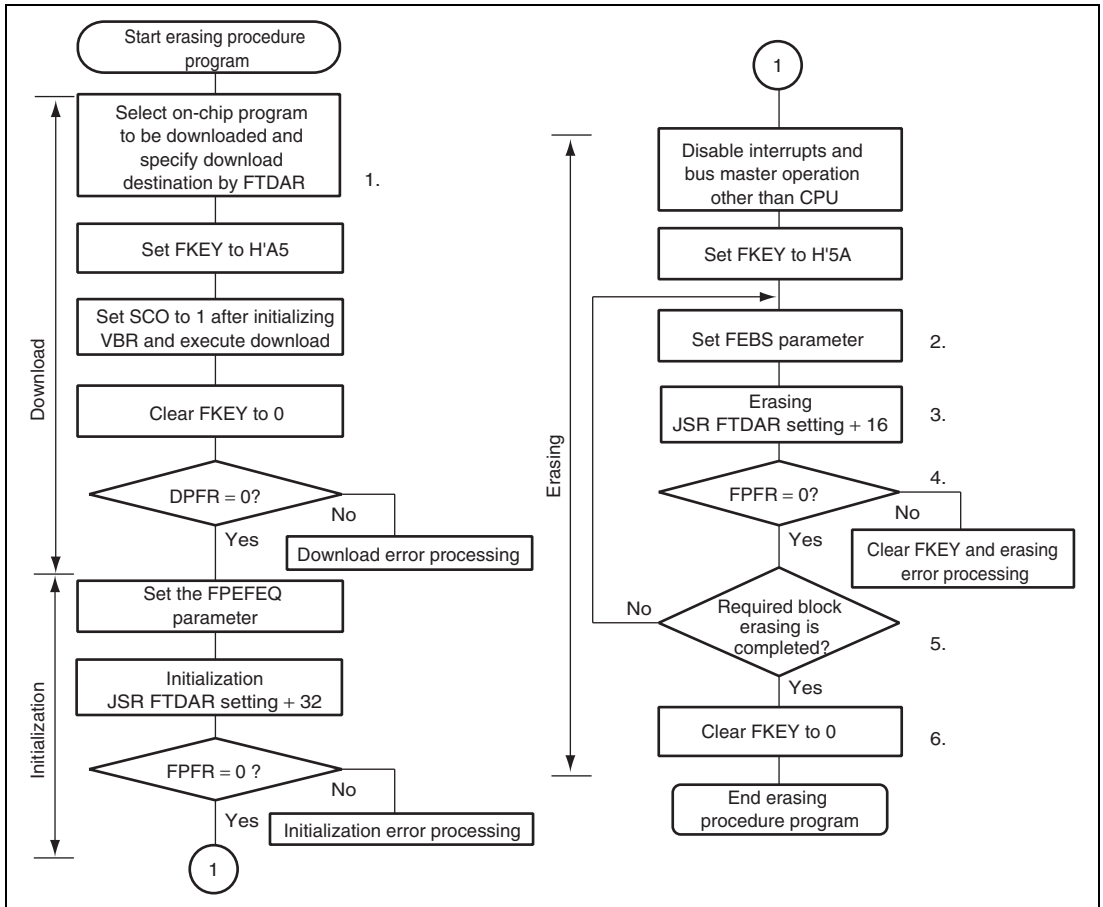


Figure 17.12 Erasing Procedure in User Program Mode

The procedure program must be executed in an area other than the user MAT to be erased. Setting the SCO bit in FCCS to 1 to request download must be executed in the on-chip RAM. The area that can be executed in the steps of the procedure program (on-chip RAM and user MAT) is shown in section 17.8.4, On-Chip Program and Storable Area for Program Data. For the downloaded on-chip program area, see figure 17.10.

One erasure processing erases one block. For details on block divisions, refer to figure 17.4. To erase two or more blocks, update the erase block number and repeat the erasing processing for each block.

1. Select the on-chip program to be downloaded and the download destination. When the PPVS bit in FPCS is set to 1, the programming program is selected. Several programming/erasing programs cannot be selected at one time. If several programs are selected, a download error is returned to the SS bit in the DPFR parameter. The on-chip RAM start address of the download destination is specified by FTDAR.

For the procedures to be carried out after setting FKEY, see section 17.8.2 (2), Programming Procedure in User Program Mode.

2. Set the FEBS parameter necessary for erasure. Set the erase block number (FEBS parameter) of the user MAT in general register ER0. If a value other than an erase block number of the user MAT is set, no block is erased even though the erasing program is executed, and an error is returned to the FPFPR parameter.
3. Erasure is executed. Similar to as in programming, the entry point of the erasing program is at the address which is 16 bytes after #DLTOP (when the start address of the download destination specified by FTDAR is #DLTOP). Call the subroutine to execute erasure by using the following steps.

```
MOV.L #DLTOP+16, ER2      ; Set entry address to ER2
JSR  @ER2                 ; Call erasing routine
NOP
```

- The general registers other than ER0 and ER1 are held in the erasing program.
 - R0L is a return value of the FPFPR parameter.
 - Since the stack area is used in the erasing program, a stack area of 128 bytes at the maximum must be allocated in RAM.
4. The return value in the erasing program, the FPFPR parameter is determined.
 5. Determine whether erasure of the necessary blocks has finished. If more than one block is to be erased, update the FEBS parameter and repeat steps 2 to 5.
 6. After erasure completes, clear FKEY and specify software protection. If this LSI is restarted by a power-on reset immediately after erasure has finished, secure the reset input period (period of $\overline{\text{RES}} = 0$) of at least 100 μ s.

(4) Procedure of Erasing, Programming, and RAM Emulation in User Program Mode

By changing the on-chip RAM start address of the download destination in FTDAR, the erasing program and programming program can be downloaded to separate on-chip RAM areas.

Figure 17.13 shows a repeating procedure of erasing, programming, and RAM emulation.

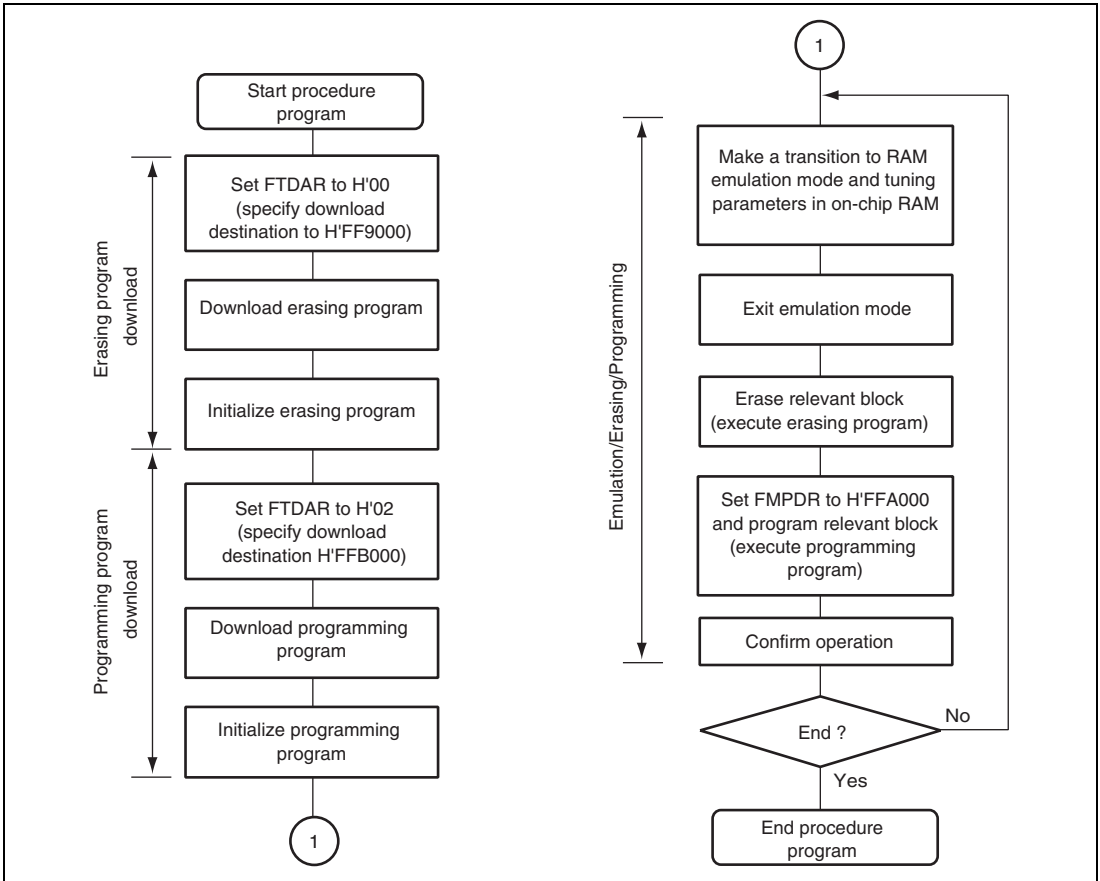


Figure 17.13 Repeating Procedure of Erasing, Programming, and RAM Emulation in User Program Mode

In figure 17.13, since RAM emulation is performed, the erasing/programming program is downloaded to avoid the 4-kbyte on-chip RAM area (H'FFA000 to H'FFAFFF). Download and initialization are performed only once at the beginning. Note the following when executing the procedure program.

- Be careful not to overwrite data in the on-chip RAM with overlay settings. In addition to the programming program area, erasing program area, and RAM emulation area, areas for the procedure programs, work area, and stack area are reserved in the on-chip RAM. Do not make settings that will overwrite data in these areas.
- Be sure to initialize both the programming program and erasing program. When the FPEFEQ parameter is initialized, also initialize both the erasing program and programming program. Initialization must be executed for both entry addresses: 32 bytes after #DLTOP (start address of download destination for erasing program is), and 32 bytes after #DLTOP (start address of download destination for programming program).

17.8.3 User Boot Mode

Branching to a programming/erasing program prepared by the user enables user boot mode which is a user-arbitrary boot mode to be used.

Only the user MAT can be programmed/erased in user boot mode. Programming/erasing of the user boot MAT is only enabled in boot mode or programmer mode.

(1) Initiation in User Boot Mode

When the reset start is executed with the mode pins set to user boot mode, the built-in check routine runs and checks the user MAT and user boot MAT states. While the check routine is running, NMI and all other interrupts cannot be accepted. Next, processing starts from the execution start address of the reset vector in the user boot MAT. At this point, the user boot MAT is selected (FMATS = H'AA) as the execution memory MAT.

(2) User MAT Programming in User Boot Mode

Figure 17.14 shows the procedure for programming the user MAT in user boot mode.

The difference between the programming procedures in user program mode and user boot mode is the memory MAT switching as shown in figure 17.14. For programming the user MAT in user boot mode, additional processing made by setting FMATS is required: switching from the user boot MAT to the user MAT, and switching back to the user boot MAT after programming completes.

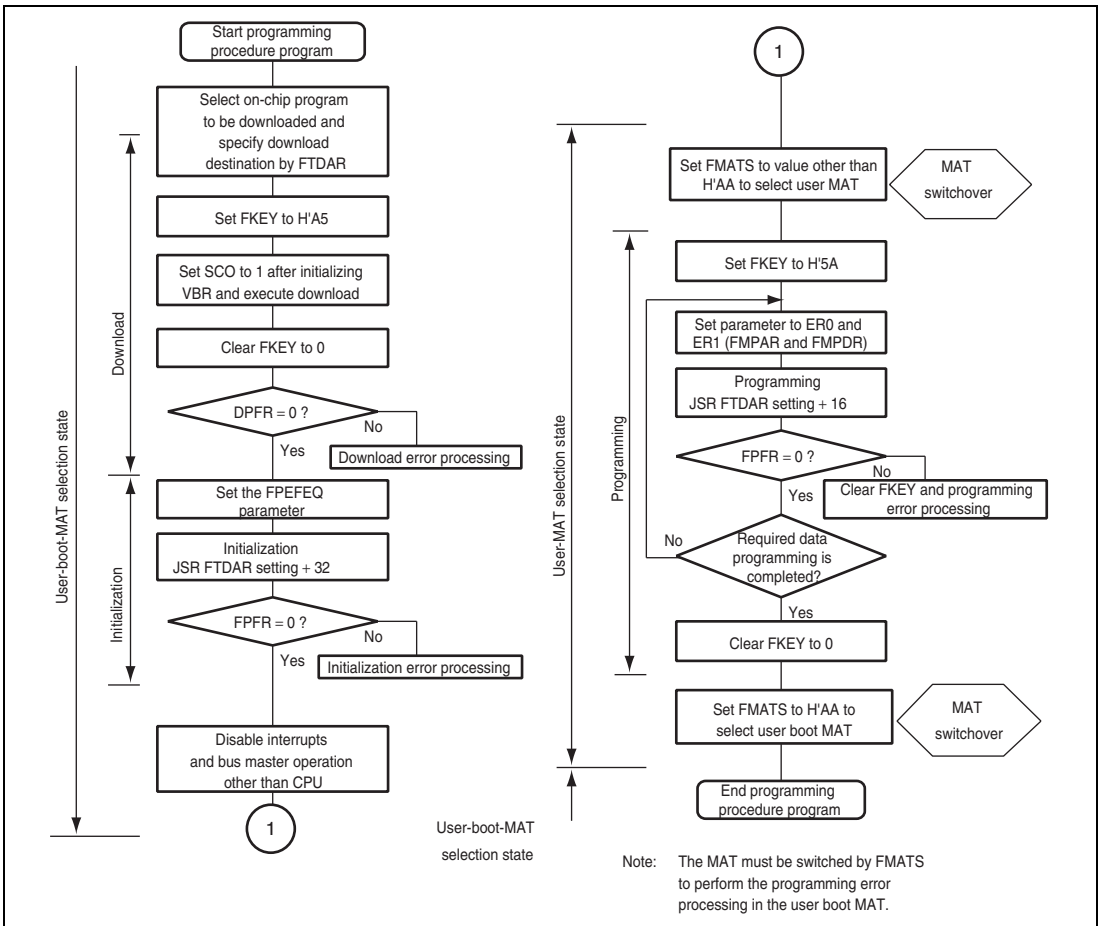


Figure 17.14 Procedure for Programming User MAT in User Boot Mode

In user boot mode, though the user boot MAT can be seen in the flash memory space, the user MAT is hidden in the background. Therefore, the user MAT and user boot MAT are switched while the user MAT is being programmed. Because the user boot MAT is hidden while the user MAT is being programmed, the procedure program must be executed in an area other than flash memory. After programming completes, switch the memory MATs again to return to the first state.

Memory MAT switching is enabled by setting FMATS. However note that access to a memory MAT is not allowed until memory MAT switching is completed. During memory MAT switching, the LSI is in an unstable state, e.g. if an interrupt occurs, from which memory MAT the interrupt vector is read is undetermined. Perform memory MAT switching in accordance with the description in section 17.11, Switching between User MAT and User Boot MAT.

Except for memory MAT switching, the programming procedure is the same as that in user program mode.

The area that can be executed in the steps of the procedure program (on-chip RAM, user MAT, and external space) is shown in section 17.8.4, On-Chip Program and Storable Area for Program Data.

(3) User MAT Erasing in User Boot Mode

Figure 17.15 shows the procedure for erasing the user MAT in user boot mode.

The difference between the erasing procedures in user program mode and user boot mode is the memory MAT switching as shown in figure 17.15. For erasing the user MAT in user boot mode, additional processing made by setting FMATS is required: switching from the user boot MAT to the user MAT, and switching back to the user boot MAT after erasing completes.

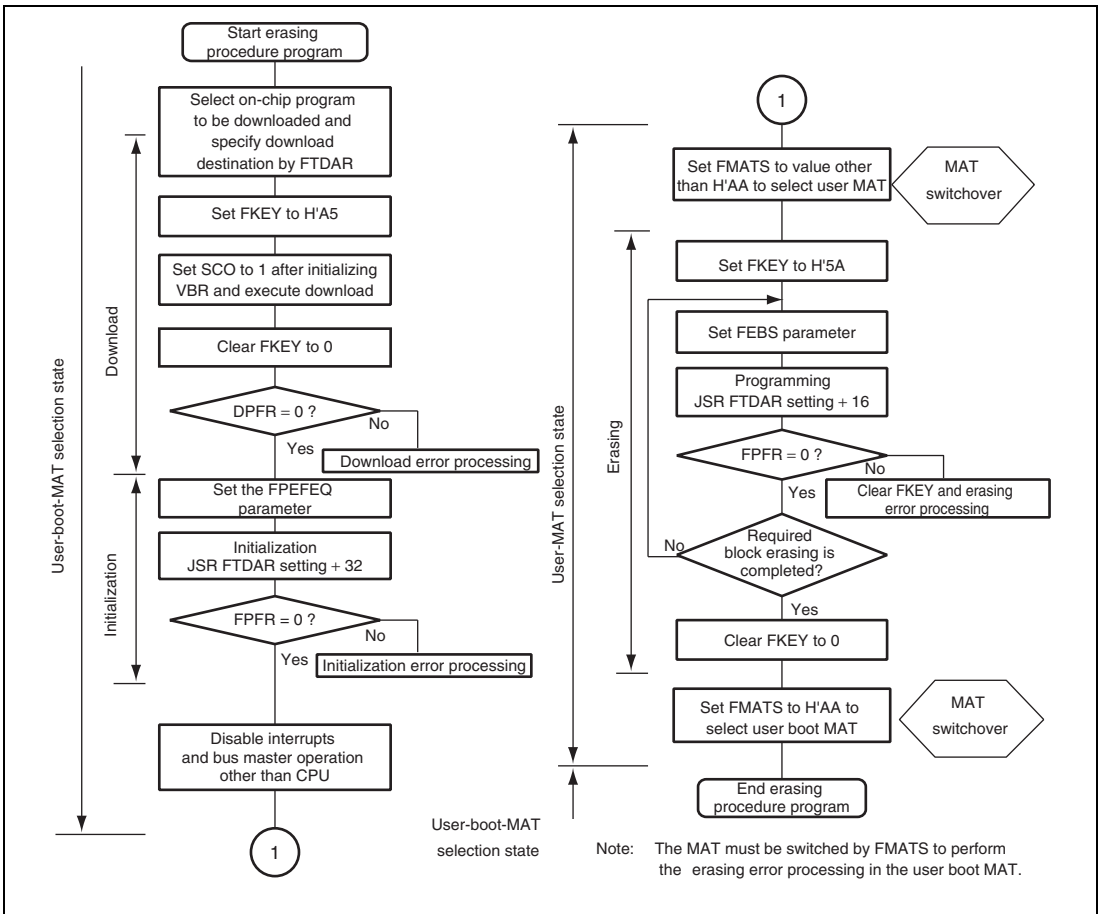


Figure 17.15 Procedure for Erasing User MAT in User Boot Mode

Memory MAT switching is enabled by setting FMATS. However note that access to a memory MAT is not allowed until memory MAT switching is completed. During memory MAT switching, the LSI is in an unstable state, e.g. if an interrupt occurs, from which memory MAT the interrupt vector is read is undetermined. Perform memory MAT switching in accordance with the description in section 17.11, Switching between User MAT and User Boot MAT.

Except for memory MAT switching, the erasing procedure is the same as that in user program mode.

The area that can be executed in the steps of the procedure program (on-chip RAM, user MAT, and external space) is shown in section 17.8.4, On-Chip Program and Storable Area for Program Data.

17.8.4 On-Chip Program and Storable Area for Program Data

In the descriptions in this manual, the on-chip programs and program data storage areas are assumed to be in the on-chip RAM. However, they can be executed from part of the flash memory which is not to be programmed or erased as long as the following conditions are satisfied.

- The on-chip program is downloaded to and executed in the on-chip RAM specified by FTDAR. Therefore, this on-chip RAM area is not available for use.
- Since the on-chip program uses a stack area, allocate 128 bytes at the maximum as a stack area.
- Download requested by setting the SCO bit in FCCS to 1 should be executed from the on-chip RAM because it will require switching of the memory MATs.
- In an operating mode in which the external address space is not accessible, such as single-chip mode, the required procedure programs, NMI handling vector table, and NMI handling routine should be transferred to the on-chip RAM before programming/erasing starts (download result is determined).
- The flash memory is not accessible during programming/erasing. Programming/erasing is executed by the program downloaded to the on-chip RAM. Therefore, the procedure program that initiates operation, the NMI handling vector table, and the NMI handling routine should be stored in the on-chip RAM other than the flash memory.
- After programming/erasing starts, access to the flash memory should be inhibited until FKEY is cleared. The reset input state (period of $\overline{\text{RES}} = 0$) must be set to at least 100 μ s when the operating mode is changed and the reset start executed on completion of programming/erasing. Transitions to the reset state are inhibited during programming/erasing. When the reset signal is input, a reset input state (period of $\overline{\text{RES}} = 0$) of at least 100 μ s is needed before the reset signal is released.
- Switching of the memory MATs by FMATS should be needed when programming/erasing of the user MAT is operated in user boot mode. The program which switches the memory MATs should be executed from the on-chip RAM. For details, see section 17.11, Switching between User MAT and User Boot MAT. Make sure you know which memory MAT is currently selected when switching them.
- When the program data storage area is within the flash memory area, an error will occur even when the data stored is normal program data. Therefore, the data should be transferred to the on-chip RAM to place the address that the FMPDR parameter indicates in an area other than the flash memory.

In consideration of these conditions, the areas in which the program data can be stored and executed are determined by the combination of the processing contents, operating mode, and bank structure of the memory MATs, as shown in tables 17.7 to 17.11.

Table 17.7 Executable Memory MAT

Processing Contents	Operating Mode	
	User Program Mode	User Boot Mode*
Programming	See table 17.8	See table 17.10
Erasing	See table 17.9	See table 17.11

Note: * Programming/Erasing is possible to the user MAT.

Table 17.8 Usable Area for Programming in User Program Mode

Item	Storable/Executable Area		Selected MAT	
	On-Chip RAM	User MAT	User MAT	Embedded Program Storage MAT
Storage area for program data	O	×*	—	—
Operation for selecting on-chip program to be downloaded	O	O	O	
Operation for writing H'A5 to FKEY	O	O	O	
Execution of writing 1 to SCO bit in FCCS (download)	O	×		O
Operation for clearing FKEY	O	O	O	
Decision of download result	O	O	O	
Operation for download error	O	O	O	
Operation for setting initialization parameter	O	O	O	
Execution of initialization	O	×	O	
Decision of initialization result	O	O	O	
Operation for initialization error	O	O	O	
NMI handling routine	O	×	O	
Operation for disabling interrupts	O	O	O	
Operation for writing H'5A to FKEY	O	O	O	
Operation for setting programming parameter	O	×	O	
Execution of programming	O	×	O	
Decision of programming result	O	×	O	
Operation for programming error	O	×	O	
Operation for clearing FKEY	O	×	O	

Note: * Transferring the program data to the on-chip RAM beforehand enables this area to be used.

Table 17.9 Usable Area for Erasure in User Program Mode

Item	Storable/Executable Area		Selected MAT	
	On-Chip RAM	User MAT	User MAT	Embedded Program Storage MAT
Operation for selecting on-chip program to be downloaded	O	O	O	
Operation for writing H'A5 to FKEY	O	O	O	
Execution of writing 1 to SCO bit in FCCS (download)	O	×		O
Operation for clearing FKEY	O	O	O	
Decision of download result	O	O	O	
Operation for download error	O	O	O	
Operation for setting initialization parameter	O	O	O	
Execution of initialization	O	×	O	
Decision of initialization result	O	O	O	
Operation for initialization error	O	O	O	
NMI handling routine	O	×	O	
Operation for disabling interrupts	O	O	O	
Operation for writing H'5A to FKEY	O	O	O	
Operation for setting erasure parameter	O	×	O	
Execution of erasure	O	×	O	
Decision of erasure result	O	×	O	
Operation for erasure error	O	×	O	
Operation for clearing FKEY	O	×	O	

Table 17.10 Usable Area for Programming in User Boot Mode

Item	Storable/Executable Area			Selected MAT	
	On-Chip RAM	User Boot MAT	User MAT	User Boot MAT	Embedded Program Storage MAT
Storage area for program data	○	×* ¹	—	—	—
Operation for selecting on-chip program to be downloaded	○	○		○	
Operation for writing H'A5 to FKEY	○	○		○	
Execution of writing 1 to SCO bit in FCCS (download)	○	×			○
Operation for clearing FKEY	○	○		○	
Decision of download result	○	○		○	
Operation for download error	○	○		○	
Operation for setting initialization parameter	○	○		○	
Execution of initialization	○	×		○	
Decision of initialization result	○	○		○	
Operation for initialization error	○	○		○	
NMI handling routine	○	×		○	
Operation for disabling interrupts	○	○		○	
Switching memory MATs by FMATS	○	×	○		
Operation for writing H'5A to FKEY	○	×	○		
Operation for setting programming parameter	○	×	○		
Execution of programming	○	×	○		
Decision of programming result	○	×	○		
Operation for programming error	○	×* ²	○		
Operation for clearing FKEY	○	×	○		
Switching memory MATs by FMATS	○	×		○	

Notes: 1. Transferring the program data to the on-chip RAM beforehand enables this area to be used.

2. Switching memory MATs by FMATS by a program in the on-chip RAM enables this area to be used.

Table 17.11 Usable Area for Erasure in User Boot Mode

Item	Storable/Executable Area			Selected MAT	
	On-Chip RAM	User Boot MAT	User MAT	User Boot MAT	Embedded Program Storage MAT
Operation for selecting on-chip program to be downloaded	O	O		O	
Operation for writing H'A5 to FKEY	O	O		O	
Execution of writing 1 to SCO bit in FCCS (download)	O	×			O
Operation for clearing FKEY	O	O		O	
Decision of download result	O	O		O	
Operation for download error	O	O		O	
Operation for setting initialization parameter	O	O		O	
Execution of initialization	O	×		O	
Decision of initialization result	O	O		O	
Operation for initialization error	O	O		O	
NMI handling routine	O	×		O	
Operation for disabling interrupts	O	O		O	
Switching memory MATs by FMATS	O	×	O		
Operation for writing H'5A to FKEY	O	×	O		
Operation for setting erasure parameter	O	×	O		
Execution of erasure	O	×	O		
Decision of erasure result	O	×	O		
Operation for erasure error	O	×*	O		
Operation for clearing FKEY	O	×	O		
Switching memory MATs by FMATS	O	×	O		

Note: Switching memory MATs by FMATS by a program in the on-chip RAM enables this area to be used.

17.9 Protection

There are three types of protection against the flash memory programming/erasing: hardware protection, software protection, and error protection.

17.9.1 Hardware Protection

Programming and erasure of the flash memory is forcibly disabled or suspended by hardware protection. In this state, download of an on-chip program and initialization are possible. However, programming or erasure of the user MAT cannot be performed even if the programming/erasing program is initiated, and the error in programming/erasing is indicated by the FPFR parameter.

Table 17.12 Hardware Protection

Item	Description	Function to be Protected	
		Download	Programming/ Erasing
Reset protection	<ul style="list-style-type: none"> The programming/erasing interface registers are initialized in the reset state (including a reset by the WDT) and the programming/erasing protection state is entered. The reset state will not be entered by a reset using the $\overline{\text{RES}}$ pin unless the $\overline{\text{RES}}$ pin is held low until oscillation has settled after a power is initially supplied. In the case of a reset during operation, hold the $\overline{\text{RES}}$ pin low for the $\overline{\text{RES}}$ pulse width given in the AC characteristics. If a reset is input during programming or erasure, data in the flash memory is not guaranteed. In this case, execute erasure and then execute programming again. 	O	O

17.9.2 Software Protection

The software protection protects the flash memory against programming/erasing by disabling download of the programming/erasing program, using the key code, and by the RAMER setting.

Table 17.13 Software Protection

Item	Description	Function to be Protected	
		Download	Programming/ Erasing
Protection by SCO bit	The programming/erasing protection state is entered when the SCO bit in FCCS is cleared to 0 to disable download of the programming/erasing programs.	○	○
Protection by FKEY	The programming/erasing protection state is entered because download and programming/erasing are disabled unless the required key code is written in FKEY.	○	○
Emulation protection	The programming/erasing protection state is entered when the RAMS bit in the RAM emulation register (RAMER) is set to 1.	○	○

17.9.3 Error Protection

Error protection is a mechanism for aborting programming or erasure when a CPU runaway occurs or operations not according to the programming/erasing procedures are detected during programming/erasing of the flash memory. Aborting programming or erasure in such cases prevents damage to the flash memory due to excessive programming or erasing.

If an error occurs during programming/erasing of the flash memory, the FLER bit in FCCS is set to 1 and the error protection state is entered.

- When an interrupt request, such as NMI, occurs during programming/erasing.
- When the flash memory is read from during programming/erasing (including a vector read or an instruction fetch).
- When a SLEEP instruction is executed (including software-standby mode) during programming/erasing.
- When a bus master other than the CPU, such as the DTC or DMAC, obtains bus mastership during programming/erasing.

Error protection is canceled by a reset. Note that the reset should be released after the reset input period of at least 100 μs has passed. Since high voltages are applied during programming/erasing of the flash memory, some voltage may remain after the error protection state has been entered. For this reason, it is necessary to reduce the risk of damaging the flash memory by extending the reset input period so that the charge is released.

The state-transition diagram in figure 17.16 shows transitions to and from the error protection state.

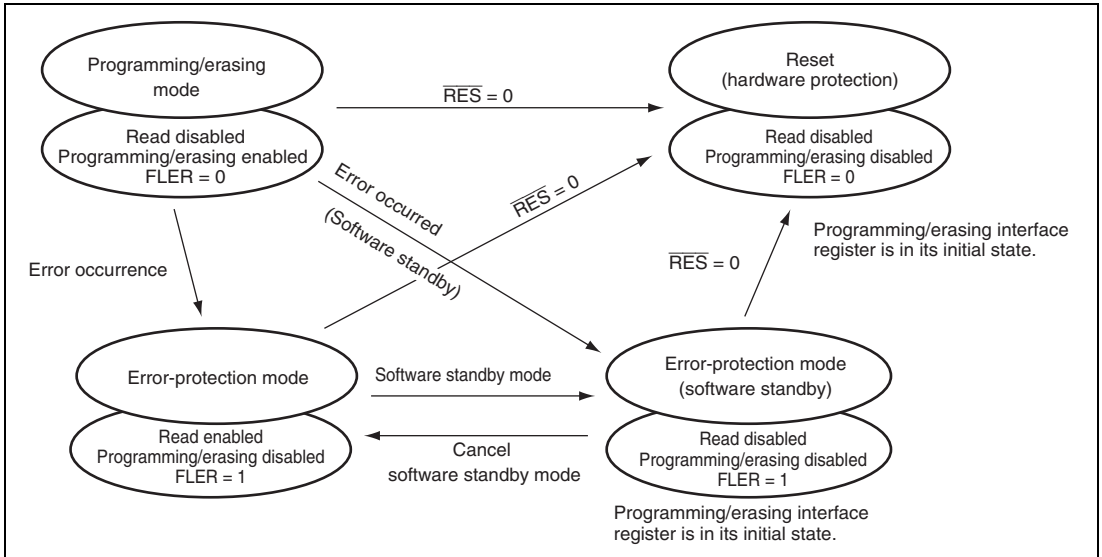


Figure 17.16 Transitions to Error Protection State

17.10 Flash Memory Emulation Using RAM

For realtime emulation of the data written to the flash memory using the on-chip RAM, the on-chip RAM area can be overlaid with several flash memory blocks (user MAT) using the RAM emulation register (RAMER).

The overlaid area can be accessed from both the user MAT area specified by RAMER and the overlaid RAM area. The emulation can be performed in user mode and user program mode.

Figure 17.17 shows an example of emulating realtime programming of the user MAT.

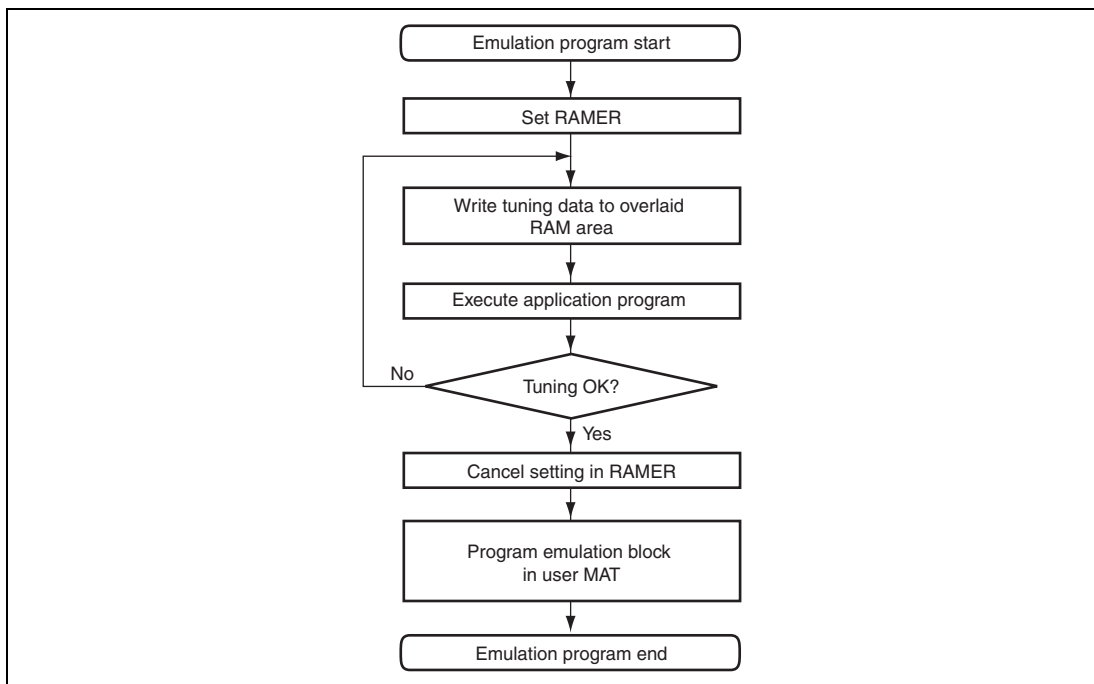


Figure 17.17 RAM Emulation Flow

Figure 17.18 shows an example of overlaying flash memory block area EB0.

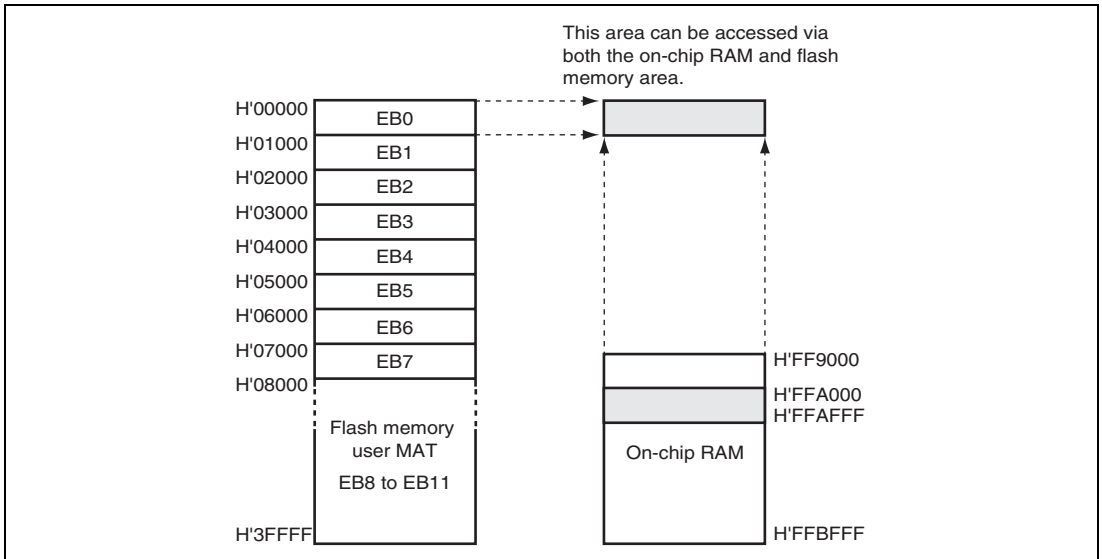


Figure 17.18 Address Map of Overlaid RAM Area

The flash memory area that can be emulated is the one area selected by bits RAM2 to RAM0 in RAMER from among the eight blocks, EB0 to EB7, of the user MAT.

To overlay a part of the on-chip RAM with block EB0 for realtime emulation, set the RAMS bit in RAMER to 1 and bits RAM2 to RAM0 to B'000.

For programming/erasing the user MAT, the procedure programs including a download program of the on-chip program must be executed. At this time, the download area should be specified so that the overlaid RAM area is not overwritten by downloading the on-chip program. Since the area in which the tuned data is stored is overlaid with the download area when FTDAR = H'01, the tuned data must be saved in an unused area beforehand.

Figure 17.19 shows an example of the procedure to program the tuned data in block EB0 of the user MAT.

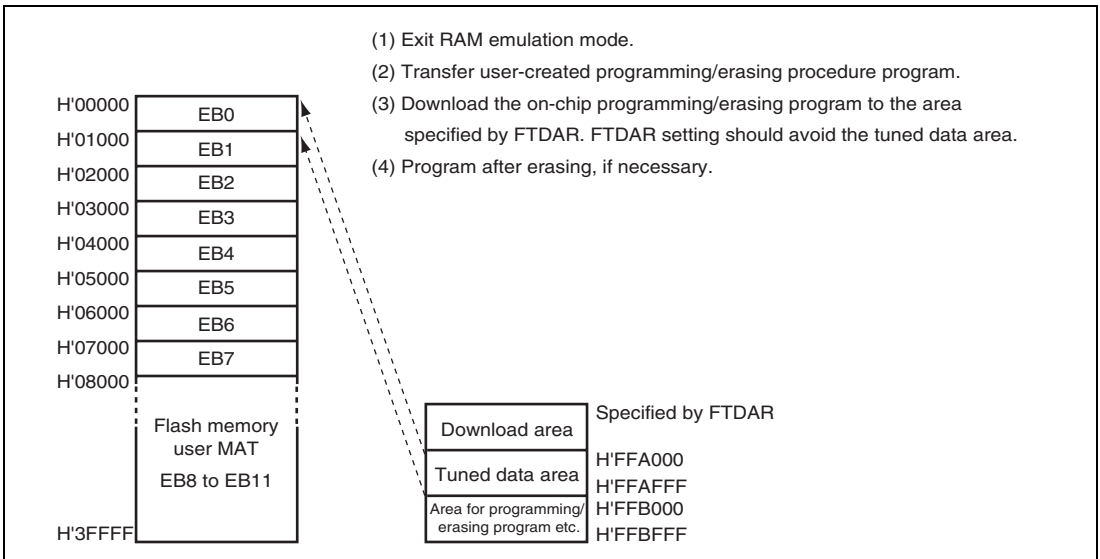


Figure 17.19 Programming Tuned Data

1. After tuning program data is completed, clear the RAMS bit in RAMER to 0 to cancel the overlaid RAM.
2. Transfer the user-created procedure program to the on-chip RAM.
3. Start the procedure program and download the on-chip program to the on-chip RAM. The start address of the download destination should be specified by FTDAR so that the tuned data area does not overlay the download area.
4. When block EB0 of the user MAT has not been erased, the programming program must be downloaded after block EB0 is erased. Specify the tuned data saved in the FMPAR and FMPDR parameters and then execute programming.

Note: Setting the RAMS bit to 1 makes all the blocks of the user MAT enter the programming/erasing protection state (emulation protection state) regardless of the setting of the RAM2 to RAM0 bits. Under this condition, the on-chip program cannot be downloaded. When data is to be actually programmed and erased, clear the RAMS bit to 0.

17.11 Switching between User MAT and User Boot MAT

It is possible to switch between the user MAT and user boot MAT. However, the following procedure is required because the start addresses of these MATs are allocated to the same address.

Switching to the user boot MAT disables programming and erasing. Programming of the user boot MAT should take place in boot mode or programmer mode.

1. Memory MAT switching by FMATS should always be executed from the on-chip RAM.
2. When accessing the memory MAT immediately after switching the memory MATs by FMATS from the on-chip RAM, similarly execute the NOP instruction in the on-chip RAM for eight times (this prevents access to the flash memory during memory MAT switching).
3. If an interrupt request has occurred during memory MAT switching, there is no guarantee of which memory MAT is accessed. Always mask the maskable interrupts before switching memory MATs. In addition, configure the system so that NMI interrupts do not occur during memory MAT switching.
4. After the memory MATs have been switched, take care because the interrupt vector table will also have been switched. If interrupt processing is to be the same before and after memory MAT switching, transfer the interrupt processing routines to the on-chip RAM and specify VBR to place the interrupt vector table in the on-chip RAM.
5. Memory sizes of the user MAT and user boot MAT are different. When accessing the user boot MAT, do not access addresses which exceed the 10-kbyte memory space. If an access is equal to or greater than 10 kbytes, the read values are undefined.

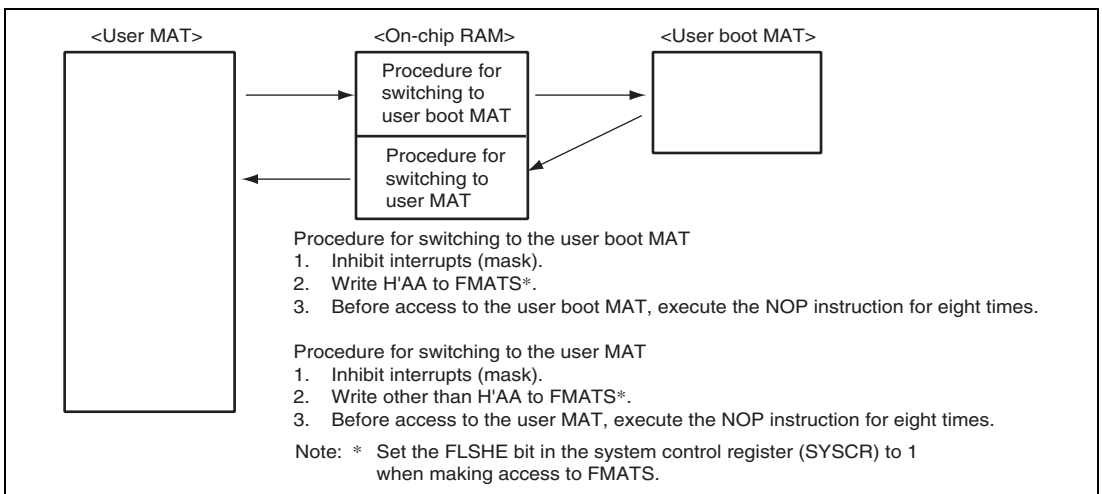


Figure 17.20 Switching between User MAT and User Boot MAT

17.12 Programmer Mode

Along with its on-board programming mode, this LSI also has a programmer mode as a further mode for the writing and erasing of programs and data. In programmer mode, a general-purpose PROM programmer that supports the device types shown in table 17.14 can be used to write programs to the on-chip ROM without any limitation.

Table 17.14 Device Types Supported in Programmer Mode

Target Memory MAT	Size	Device Type
User MAT	256 kbytes	FZTAT256V5A
User boot MAT	10 kbytes	FZTATUSBTV5A

17.13 Standard Serial Communication Interface Specifications for Boot Mode

The boot program initiated in boot mode performs serial communication using the host and on-chip SCI_4. The serial communication interface specifications are shown below.

The boot program has three states.

1. Bit-rate-adjustment state

In this state, the boot program adjusts the bit rate to achieve serial communication with the host. Initiating boot mode enables starting of the boot program and entry to the bit-rate-adjustment state. The program receives the command from the host to adjust the bit rate. After adjusting the bit rate, the program enters the inquiry/selection state.

2. Inquiry/selection state

In this state, the boot program responds to inquiry commands from the host. The device name, clock mode, and bit rate are selected. After selection of these settings, the program is made to enter the programming/erasing state by the command for a transition to the programming/erasing state. The program transfers the libraries required for erasure to the on-chip RAM and erases the user MATs and user boot MATs before the transition.

3. Programming/erasing state

Programming and erasure by the boot program take place in this state. The boot program is made to transfer the programming/erasing programs to the on-chip RAM by commands from the host. Sum checks and blank checks are executed by sending these commands from the host.

These boot program states are shown in figure 17.21.

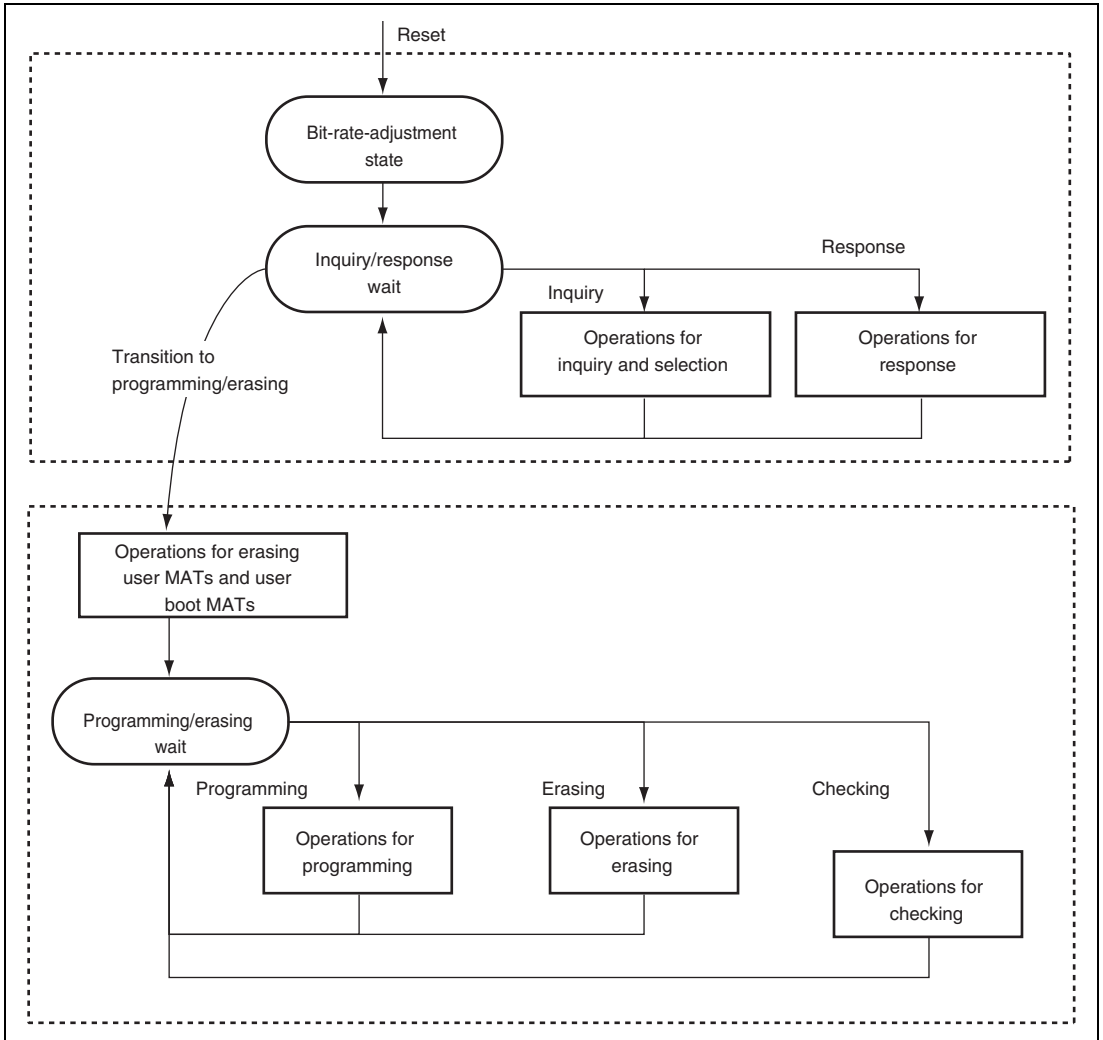


Figure 17.21 Boot Program States

(1) Bit-Rate-Adjustment State

The bit rate is calculated by measuring the period of transfer of a low-level byte (H'00) from the host. The bit rate can be changed by the command for a new bit rate selection. After the bit rate has been adjusted, the boot program enters the inquiry and selection state. The bit-rate-adjustment sequence is shown in figure 17.22.

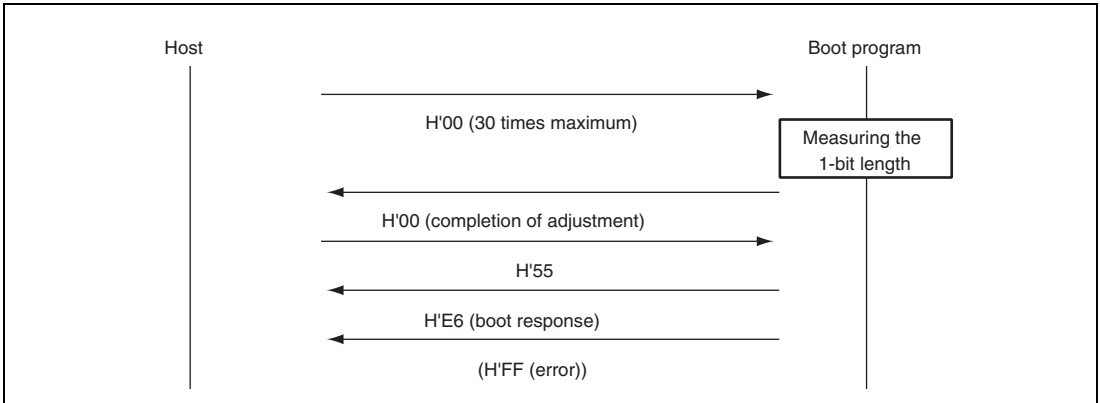


Figure 17.22 Bit-Rate-Adjustment Sequence

(2) Communications Protocol

After adjustment of the bit rate, the protocol for serial communications between the host and the boot program is as shown below.

1. One-byte commands and one-byte responses

These one-byte commands and one-byte responses consist of the inquiries and the ACK for successful completion.
2. n-byte commands or n-byte responses

These commands and responses are comprised of n bytes of data. These are selections and responses to inquiries.

The program data size is not included under this heading because it is determined in another command.
3. Error response

The error response is a response to inquiries. It consists of an error response and an error code and comes two bytes.
4. Programming of 128 bytes

The size is not specified in commands. The size of n is indicated in response to the programming unit inquiry.

5. Memory read response

This response consists of four bytes of data.

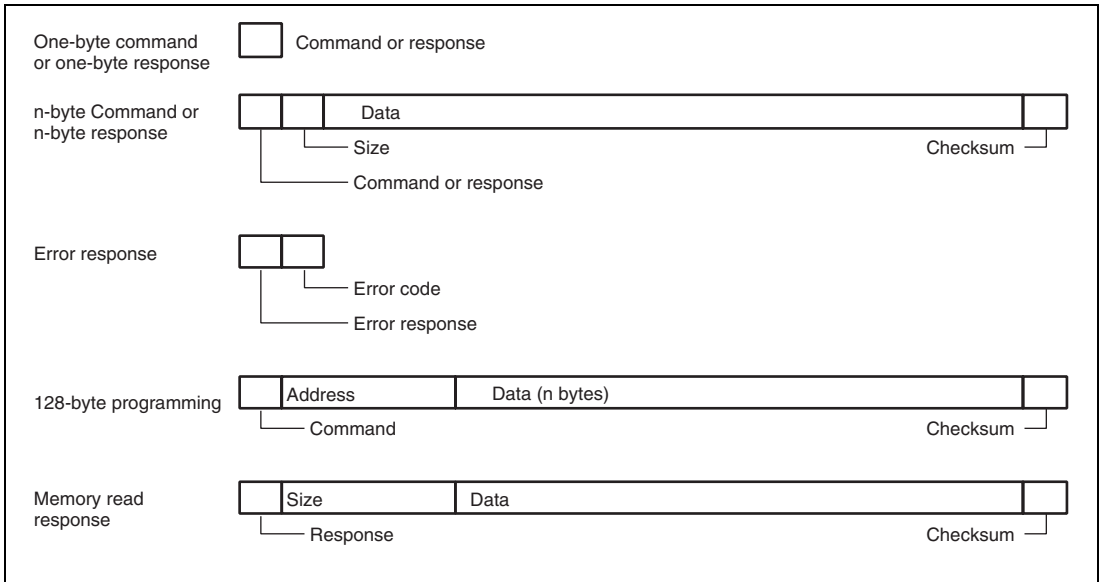


Figure 17.23 Communication Protocol Format

- **Command (one byte):** Commands including inquiries, selection, programming, erasing, and checking
- **Response (one byte):** Response to an inquiry
- **Size (one byte):** The amount of data for transmission excluding the command, amount of data, and checksum
- **Checksum (one byte):** The checksum is calculated so that the total of all values from the command byte to the SUM byte becomes H'00.
- **Data (n bytes):** Detailed data of a command or response
- **Error response (one byte):** Error response to a command
- **Error code (one byte):** Type of the error
- **Address (four bytes):** Address for programming
- **Data (n bytes):** Data to be programmed (the size is indicated in the response to the programming unit inquiry.)
- **Size (four bytes):** Four-byte response to a memory read

(3) Inquiry and Selection States

The boot program returns information from the flash memory in response to the host's inquiry commands and sets the device code, clock mode, and bit rate in response to the host's selection command.

Table 17.15 lists the inquiry and selection commands.

Table 17.15 Inquiry and Selection Commands

Command	Command Name	Description
H'20	Supported device inquiry	Inquiry regarding device codes
H'10	Device selection	Selection of device code
H'21	Clock mode inquiry	Inquiry regarding numbers of clock modes and values of each mode
H'11	Clock mode selection	Indication of the selected clock mode
H'22	Multiplication ratio inquiry	Inquiry regarding the number of frequency-multiplied clock types, the number of multiplication ratios, and the values of each multiple
H'23	Operating clock frequency inquiry	Inquiry regarding the maximum and minimum values of the main clock and peripheral clocks
H'24	User boot MAT information inquiry	Inquiry regarding the number of user boot MATs and the start and last addresses of each MAT
H'25	User MAT information inquiry	Inquiry regarding the a number of user MATs and the start and last addresses of each MAT
H'26	Block for erasing information Inquiry	Inquiry regarding the number of blocks and the start and last addresses of each block
H'27	Programming unit inquiry	Inquiry regarding the unit of program data
H'3F	New bit rate selection	Selection of new bit rate
H'40	Transition to programming/erasing state	Erasing of user MAT and user boot MAT, and entry to programming/erasing state
H'4F	Boot program status inquiry	Inquiry into the operated status of the boot program

The selection commands, which are device selection (H'10), clock mode selection (H'11), and new bit rate selection (H'3F), should be sent from the host in that order. When two or more selection commands are sent at once, the last command will be valid.

All of these commands, except for the boot program status inquiry command (H'4F), will be valid until the boot program receives the programming/erasing transition (H'40). The host can choose the needed commands and make inquiries while the above commands are being transmitted. H'4F is valid even after the boot program has received H'40.

(a) Supported Device Inquiry

The boot program will return the device codes of supported devices and the product code in response to the supported device inquiry.

Command

H'20

- Command, H'20, (one byte): Inquiry regarding supported devices

Response	H'30	Size	Number of devices	
	Number of characters	Device code		Product name
	...			
	SUM			

- Response, H'30, (one byte): Response to the supported device inquiry
- Size (one byte): Number of bytes to be transmitted, excluding the command, size, and checksum, that is, the amount of data contributes by the number of devices, characters, device codes and product names
- Number of devices (one byte): The number of device types supported by the boot program
- Number of characters (one byte): The number of characters in the device codes and boot program's name
- Device code (four bytes): ASCII code of the supporting product
- Product name (n bytes): Type name of the boot program in ASCII-coded characters
- SUM (one byte): Checksum

The checksum is calculated so that the total number of all values from the command byte to the SUM byte becomes H'00.

(b) Device Selection

The boot program will set the supported device to the specified device code. The program will return the selected device code in response to the inquiry after this setting has been made.

Command	H'10	Size	Device code	SUM
---------	------	------	-------------	-----

- Command, H'10, (one byte): Device selection
- Size (one byte): Amount of device-code data
This is fixed at 4
- Device code (four bytes): Device code (ASCII code) returned in response to the supported device inquiry
- SUM (one byte): Checksum

Response	H'06
----------	------

- Response, H'06, (one byte): Response to the device selection command
ACK will be returned when the device code matches.

Error response	H'90	ERROR
----------------	------	-------

- Error response, H'90, (one byte): Error response to the device selection command
- ERROR : (one byte): Error code
H'11: Sum check error
H'21: Device code error, that is, the device code does not match

(c) Clock Mode Inquiry

The boot program will return the supported clock modes in response to the clock mode inquiry.

Command	H'21
---------	------

- Command, H'21, (one byte): Inquiry regarding clock mode

Response	H'31	Size	Number of modes	Mode	...	SUM
----------	------	------	-----------------	------	-----	-----

- Response, H'31, (one byte): Response to the clock-mode inquiry
- Size (one byte): Amount of data that represents the number of modes and modes
- Number of clock modes (one byte): The number of supported clock modes
H'00 indicates no clock mode or the device allows to read the clock mode.
- Mode (one byte): Values of the supported clock modes (i.e. H'01 means clock mode 1.)
- SUM (one byte): Checksum

(d) Clock Mode Selection

The boot program will set the specified clock mode. The program will return the selected clock-mode information after this setting has been made.

The clock-mode selection command should be sent after the device-selection commands.

Command

H'11	Size	Mode	SUM
------	------	------	-----

- Command, H'11, (one byte): Selection of clock mode
- Size (one byte): Amount of data that represents the modes
- Mode (one byte): A clock mode returned in reply to the supported clock mode inquiry.
- SUM (one byte): Checksum

Response

H'06

- Response, H'06, (one byte): Response to the clock mode selection command
ACK will be returned when the clock mode matches.

Error Response

H'91	ERROR
------	-------

- Error response, H'91, (one byte): Error response to the clock mode selection command
- ERROR : (one byte): Error code
H'11: Checksum error
H'22: Clock mode error, that is, the clock mode does not match.

Even if the clock mode numbers are H'00 and H'01 by a clock mode inquiry, the clock mode must be selected using these respective values.

(e) Multiplication Ratio Inquiry

The boot program will return the supported multiplication and division ratios.

Command H'22

- Command, H'22, (one byte): Inquiry regarding multiplication ratio

Response	H'32	Size	Number of types					
	Number of multiplication ratios	Multiplication ratio	...					
	...							
	SUM							

- Response, H'32, (one byte): Response to the multiplication ratio inquiry
- Size (one byte): The amount of data that represents the number of clock sources and multiplication ratios and the multiplication ratios
- Number of types (one byte): The number of supported multiplied clock types (e.g. when there are two multiplied clock types, which are the main and peripheral clocks, the number of types will be H'02.)
- Number of multiplication ratios (one byte): The number of multiplication ratios for each type (e.g. the number of multiplication ratios to which the main clock can be set and the peripheral clock can be set.)
- Multiplication ratio (one byte)

Multiplication ratio: The value of the multiplication ratio (e.g. when the clock-frequency multiplier is four, the value of multiplication ratio will be H'04.)

Division ratio: The inverse of the division ratio, i.e. a negative number (e.g. when the clock is divided by two, the value of division ratio will be H'FE. $H'FE = D'-2$)

The number of multiplication ratios returned is the same as the number of multiplication ratios and as many groups of data are returned as there are types.
- SUM (one byte): Checksum

(f) Operating Clock Frequency Inquiry

The boot program will return the number of operating clock frequencies, and the maximum and minimum values.

Command

H'23

- Command, H'23, (one byte): Inquiry regarding operating clock frequencies

Response	H'33	Size	Number of operating clock frequencies
	Minimum value of operating clock frequency		Maximum value of operating clock frequency
	...		
	SUM		

- Response, H'33, (one byte): Response to operating clock frequency inquiry
- Size (one byte): The number of bytes that represents the minimum values, maximum values, and the number of frequencies.
- Number of operating clock frequencies (one byte): The number of supported operating clock frequency types
(e.g. when there are two operating clock frequency types, which are the main and peripheral clocks, the number of types will be H'02.)
- Minimum value of operating clock frequency (two bytes): The minimum value of the multiplied or divided clock frequency.
The minimum and maximum values of the operating clock frequency represent the values in MHz, valid to the hundredths place of MHz, and multiplied by 100. (e.g. when the value is 17.00 MHz, it will be 2000, which is H'07D0.)
- Maximum value (two bytes): Maximum value among the multiplied or divided clock frequencies.
There are as many pairs of minimum and maximum values as there are operating clock frequencies.
- SUM (one byte): Checksum

(g) User Boot MAT Information Inquiry

The boot program will return the number of user boot MATs and their addresses.

Command

H'24

- Command, H'24, (one byte): Inquiry regarding user boot MAT information

Response	H'34	Size	Number of areas	
	Area-start address			Area-last address
	...			
	SUM			

- Response, H'34, (one byte): Response to user boot MAT information inquiry
- Size (one byte): The number of bytes that represents the number of areas, area-start addresses, and area-last address
- Number of Areas (one byte): The number of consecutive user boot MAT areas
When user boot MAT areas are consecutive, the number of areas returned is H'01.
- Area-start address (four byte): Start address of the area
- Area-last address (four byte): Last address of the area
There are as many groups of data representing the start and last addresses as there are areas.
- SUM (one byte): Checksum

(h) User MAT Information Inquiry

The boot program will return the number of user MATs and their addresses.

Command

H'25

- Command, H'25, (one byte): Inquiry regarding user MAT information

Response	H'35	Size	Number of areas	
	Start address area			Last address area
	...			
	SUM			

- Response, H'35, (one byte): Response to the user MAT information inquiry
- Size (one byte): The number of bytes that represents the number of areas, area-start address and area-last address
- Number of areas (one byte): The number of consecutive user MAT areas
When the user MAT areas are consecutive, the number of areas is H'01.
- Area-start address (four bytes): Start address of the area

- Area-last address (four bytes): Last address of the area
There are as many groups of data representing the start and last addresses as there are areas.
- SUM (one byte): Checksum

(i) Erased Block Information Inquiry

The boot program will return the number of erased blocks and their addresses.

Command

H'26

- Command, H'26, (two bytes): Inquiry regarding erased block information

Response

H'36	Size	Number of blocks	
Block start address		Block last address	
...			
SUM			

- Response, H'36, (one byte): Response to the number of erased blocks and addresses
- Size (three bytes): The number of bytes that represents the number of blocks, block-start addresses, and block-last addresses.
- Number of blocks (one byte): The number of erased blocks
- Block start address (four bytes): Start address of a block
- Block last Address (four bytes): Last address of a block
There are as many groups of data representing the start and last addresses as there are areas.
- SUM (one byte): Checksum

(j) Programming Unit Inquiry

The boot program will return the programming unit used to program data.

Command

H'27

- Command, H'27, (one byte): Inquiry regarding programming unit

Response

H'37	Size	Programming unit	SUM
------	------	------------------	-----

- Response, H'37, (one byte): Response to programming unit inquiry
- Size (one byte): The number of bytes that indicate the programming unit, which is fixed to 2
- Programming unit (two bytes): A unit for programming
This is the unit for reception of programming.
- SUM (one byte): Checksum

(k) New Bit-Rate Selection

The boot program will set a new bit rate and return the new bit rate.

This selection should be sent after sending the clock mode selection command.

Command	H'3F	Size	Bit rate	Input frequency
	Number of multiplication ratios	Multiplication ratio 1	Multiplication ratio 2	
	SUM			

- Command, H'3F, (one byte): Selection of new bit rate
- Size (one byte): The number of bytes that represents the bit rate, input frequency, number of multiplication ratios, and multiplication ratio
- Bit rate (two bytes): New bit rate
One hundredth of the value (e.g. when the value is 19200 bps, it will be 192, which is H'00C0.)
- Input frequency (two bytes): Frequency of the clock input to the boot program
This is valid to the hundredths place and represents the value in MHz multiplied by 100. (E.g. when the value is 20.00 MHz, it will be 2000, which is H'07D0.)
- Number of multiplication ratios (one byte): The number of multiplication ratios to which the device can be set.
- Multiplication ratio 1 (one byte): The value of multiplication or division ratios for the main operating frequency
Multiplication ratio (one byte): The value of the multiplication ratio (e.g. when the clock frequency is multiplied by four, the multiplication ratio will be H'04.)
Division ratio: The inverse of the division ratio, as a negative number (e.g. when the clock frequency is divided by two, the value of division ratio will be H'FE. H'FE = D'-2)
- Multiplication ratio 2 (one byte): The value of multiplication or division ratios for the peripheral frequency
Multiplication ratio (one byte): The value of the multiplication ratio (e.g. when the clock frequency is multiplied by four, the multiplication ratio will be H'04.)
(Division ratio: The inverse of the division ratio, as a negative number (E.g. when the clock is divided by two, the value of division ratio will be H'FE. H'FE = D'-2)
- SUM (one byte): Checksum

Response

H'06

- Response, H'06, (one byte): Response to selection of a new bit rate
When it is possible to set the bit rate, the response will be ACK.

Error Response	H'BF	ERROR
----------------	------	-------

- Error response, H'BF, (one byte): Error response to selection of new bit rate
- ERROR: (one byte): Error code
 - H'11: Sum checking error
 - H'24: Bit-rate selection error
The rate is not available.
 - H'25: Error in input frequency
This input frequency is not within the specified range.
 - H'26: Multiplication-ratio error
The ratio does not match an available ratio.
 - H'27: Operating frequency error
The frequency is not within the specified range.

(4) Receive Data Check

The methods for checking of receive data are listed below.

1. Input frequency

The received value of the input frequency is checked to ensure that it is within the range of minimum to maximum frequencies which matches the clock modes of the specified device. When the value is out of this range, an input-frequency error is generated.

2. Multiplication ratio

The received value of the multiplication ratio or division ratio is checked to ensure that it matches the clock modes of the specified device. When the value is out of this range, an input-frequency error is generated.

3. Operating frequency

Operating frequency is calculated from the received value of the input frequency and the multiplication or division ratio. The input frequency is input to the LSI and the LSI is operated at the operating frequency. The expression is given below.

Operating frequency = Input frequency \times Multiplication ratio, or

Operating frequency = Input frequency \div Division ratio

The calculated operating frequency should be checked to ensure that it is within the range of minimum to maximum frequencies which are available with the clock modes of the specified device. When it is out of this range, an operating frequency error is generated.

4. Bit rate

To facilitate error checking, the value (n) of clock select (CKS) in the serial mode register (SMR), and the value (N) in the bit rate register (BRR), which are found from the peripheral operating clock frequency (ϕ) and bit rate (B), are used to calculate the error rate to ensure that it is less than 4%. If the error is more than 4%, a bit rate error is generated. The error is calculated using the following expression:

$$\text{Error (\%)} = \left\{ \left[\frac{\phi \times 10^6}{(N + 1) \times B \times 64 \times 2^{(2 \times n - 1)}} \right] - 1 \right\} \times 100$$

When the new bit rate is selectable, the rate will be set in the register after sending ACK in response. The host will send an ACK with the new bit rate for confirmation and the boot program will respond with that rate.

Confirmation H'06

- Confirmation, H'06, (one byte): Confirmation of a new bit rate

Response H'06

- Response, H'06, (one byte): Response to confirmation of a new bit rate

The sequence of new bit-rate selection is shown in figure 17.24.

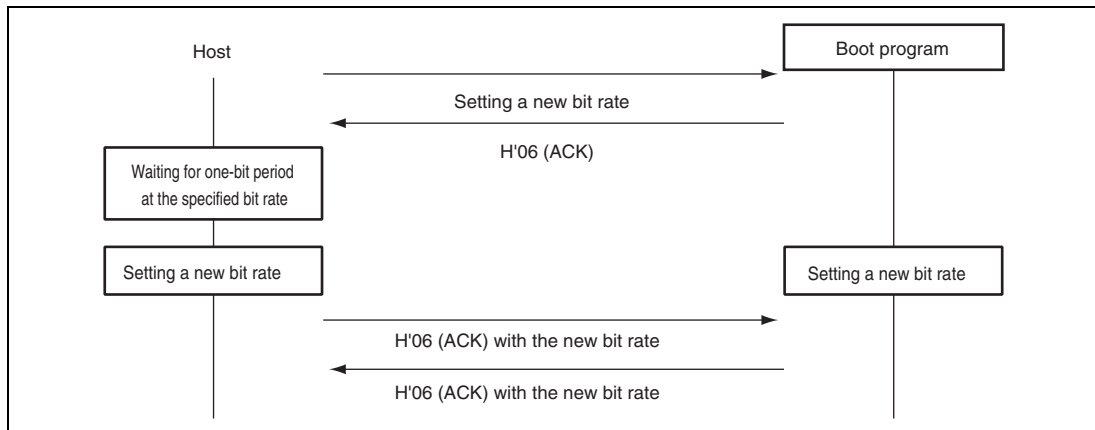


Figure 17.24 New Bit-Rate Selection Sequence

(5) Transition to Programming/Erasing State

The boot program will transfer the erasing program, and erase the user MATs and user boot MATs in that order. On completion of this erasure, ACK will be returned and will enter the programming/erasing state.

The host should select the device code, clock mode, and new bit rate with device selection, clock-mode selection, and new bit-rate selection commands, and then send the command for the transition to programming/erasing state. These procedures should be carried out before sending of the programming selection command or program data.

Command

H'40

- Command, H'40, (one byte): Transition to programming/erasing state

Response

H'06

- Response, H'06, (one byte): Response to transition to programming/erasing state
The boot program will send ACK when the user MAT and user boot MAT have been erased by the transferred erasing program.

Error Response

H'C0	H'51
------	------

- Error response, H'C0, (one byte): Error response for user boot MAT blank check
- Error code, H'51, (one byte): Erasing error
An error occurred and erasure was not completed.

(6) Command Error

A command error will occur when a command is undefined, the order of commands is incorrect, or a command is unacceptable. Issuing a clock-mode selection command before a device selection or an inquiry command after the transition to programming/erasing state command, are examples.

Error Response

H'80	H'xx
------	------

- Error response, H'80, (one byte): Command error
- Command, H'xx, (one byte): Received command

(7) Command Order

The order for commands in the inquiry selection state is shown below.

1. A supported device inquiry (H'20) should be made to inquire about the supported devices.
2. The device should be selected from among those described by the returned information and set with a device-selection (H'10) command.
3. A clock-mode inquiry (H'21) should be made to inquire about the supported clock modes.
4. The clock mode should be selected from among those described by the returned information and set.
5. After selection of the device and clock mode, inquiries for other required information should be made, such as the multiplication-ratio inquiry (H'22) or operating frequency inquiry (H'23), which are needed for a new bit-rate selection.
6. A new bit rate should be selected with the new bit-rate selection (H'3F) command, according to the returned information on multiplication ratios and operating frequencies.
7. After selection of the device and clock mode, the information of the user boot MAT and user MAT should be made to inquire about the user boot MATs information inquiry (H'24), user MATs information inquiry (H'25), erased block information inquiry (H'26), and programming unit inquiry (H'27).
8. After making inquiries and selecting a new bit rate, issue the transition to programming/erasing state command (H'40). The boot program will then enter the programming/erasing state.

(8) Programming/Erasing State

A programming selection command makes the boot program select the programming method, a 128-byte programming command makes it program the memory with data, and an erasing selection command and block erasing command make it erase the block. Table 17.16 lists the programming/erasing commands.

Table 17.16 Programming/Erasing Commands

Command	Command Name	Description
H'42	User boot MAT programming selection	Transfers the user boot MAT programming program
H'43	User MAT programming selection	Transfers the user MAT programming program
H'50	128-byte programming	Programs 128 bytes of data
H'48	Erasing selection	Transfers the erasing program
H'58	Block erasing	Erases a block of data
H'52	Memory read	Reads the contents of memory
H'4A	User boot MAT sum check	Checks the checksum of the user boot MAT
H'4B	User MAT sum check	Checks the checksum of the user MAT
H'4C	User boot MAT blank check	Checks the blank data of the user boot MAT
H'4D	User MAT blank check	Checks the blank data of the user MAT
H'4F	Boot program status inquiry	Inquires into the boot program's status

- Programming

Programming is executed by the programming selection and 128-byte programming commands.

Firstly, the host should send the programming selection command and select the programming method and programming MATs. There are two programming selection commands, and selection is according to the area and method for programming.

1. User boot MAT programming selection
2. User MAT programming selection

After issuing the programming selection command, the host should send the 128-byte programming command. The 128-byte programming command that follows the selection command represents the data programmed according to the method specified by the selection command. When more than 128-byte data is programmed, 128-byte commands should repeatedly be executed. Sending a 128-byte programming command with H'FFFFFFFF as the address will stop the programming. On completion of programming, the boot program will wait for selection of programming or erasing.

Where the sequence of programming operations that is executed includes programming with another method or of another MAT, the procedure must be repeated from the programming selection command.

The sequence for the programming selection and 128-byte programming commands is shown in figure 17.25.

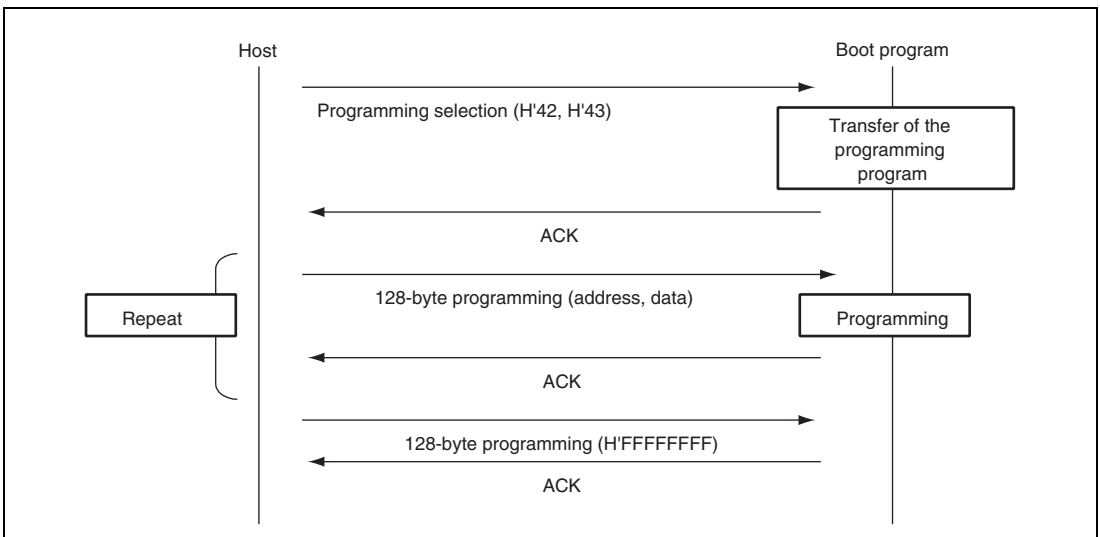


Figure 17.25 Programming Sequence

- Erasure

Erasure is executed by the erasure selection and block erasure commands.

Firstly, erasure is selected by the erasure selection command and the boot program then erases the specified block. The command should be repeatedly executed if two or more blocks are to be erased. Sending a block erasure command from the host with the block number H'FF will stop the erasure operating. On completion of erasing, the boot program will wait for selection of programming or erasing.

The sequence for the erasure selection and block erasure commands is shown in figure 17.26.

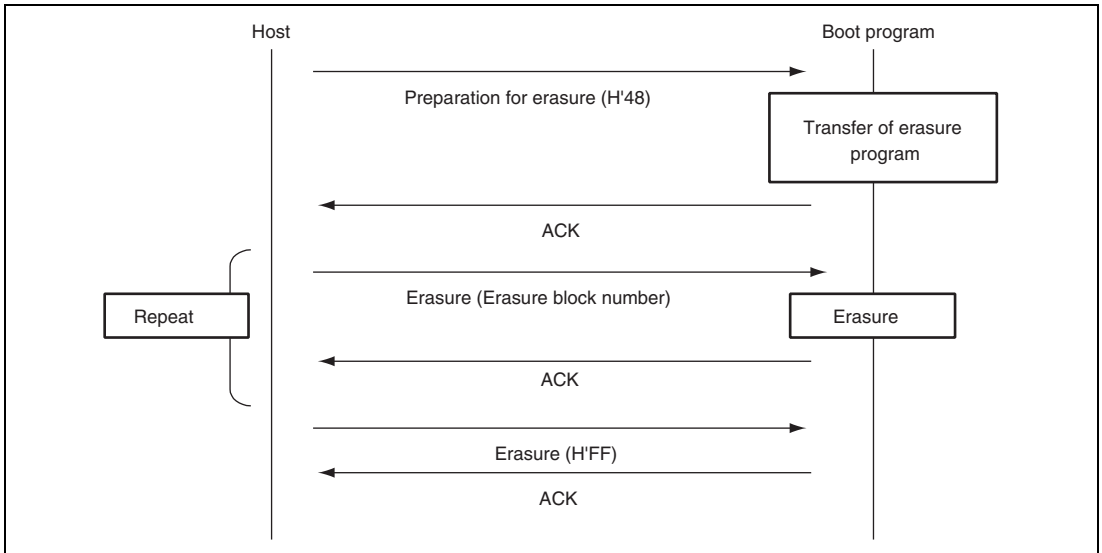


Figure 17.26 Erasure Sequence

(a) User Boot MAT Programming Selection

The boot program will transfer a programming program. The data is programmed to the user boot MATs by the transferred programming program.

Command

H'42

- Command, H'42, (one byte): User boot-program programming selection

Response

H'06

- Response, H'06, (one byte): Response to user boot-program programming selection
When the programming program has been transferred, the boot program will return ACK.

Error Response

H'C2	ERROR
------	-------

- Error response : H'C2 (1 byte): Error response to user boot MAT programming selection
- ERROR : (1 byte): Error code
H'54: Selection processing error (transfer error occurs and processing is not completed)

(b) User MAT Programming Selection

The boot program will transfer a program for user MAT programming selection. The data is programmed to the user MATs by the transferred program for programming.

Command

H'43

- Command, H'43, (one byte): User-program programming selection

Response

H'06

- Response, H'06, (one byte): Response to user-program programming selection
When the programming program has been transferred, the boot program will return ACK.

Error Response

H'C3	ERROR
------	-------

- Error response : H'C3 (1 byte): Error response to user boot MAT programming selection
- ERROR : (1 byte): Error code
H'54: Selection processing error (transfer error occurs and processing is not completed)

(c) 128-Byte Programming

The boot program will use the programming program transferred by the programming selection to program the user boot MATs or user MATs in response to 128-byte programming.

Command	H'50	Address						
	Data	...						
	...							
	SUM							

- Command, H'50, (one byte): 128-byte programming
- Programming Address (four bytes): Start address for programming
Multiple of the size specified in response to the programming unit inquiry (i.e. H'00, H'01, H'00, H'00 : H'00010000)
- Program data (128 bytes): Data to be programmed
The size is specified in the response to the programming unit inquiry.
- SUM (one byte): Checksum

Response

H'06

- Response, H'06, (one byte): Response to 128-byte programming
On completion of programming, the boot program will return ACK.

Error Response

H'D0	ERROR
------	-------

- Error response, H'D0, (one byte): Error response for 128-byte programming
- ERROR: (one byte): Error code
 - H'11: Checksum Error
 - H'2A: Address error
The read address is not in the MAT.
 - H'53: Programming error
A programming error has occurred and programming cannot be continued.

The specified address should match the unit for programming of data. For example, when the programming is in 128-byte units, the lower eight bits of the address should be H'00 or H'80. When there are less than 128 bytes of data to be programmed, the host should fill the rest with H'FF.

Sending the 128-byte programming command with the address of H'FFFFFFFF will stop the programming operation. The boot program will interpret this as the end of the programming and wait for selection of programming or erasing.

Command

H'50	Address	SUM
------	---------	-----

- Command, H'50, (one byte): 128-byte programming
- Programming Address (four bytes): End code is H'FF, H'FF, H'FF, H'FF.
- SUM (one byte): Checksum

Response

H'06

- Response, H'06, (one byte): Response to 128-byte programming
On completion of programming, the boot program will return ACK.

Error Response

H'D0	ERROR
------	-------

- Error Response, H'D0, (one byte): Error response for 128-byte programming
- ERROR: (one byte): Error code
 - H'11: Checksum error
 - H'53: Programming error
 An error has occurred in programming and programming cannot be continued.

(d) Erasure Selection

The boot program will transfer the erasure program. User MAT data is erased by the transferred erasure program.

Command

H'48

- Command, H'48, (one byte): Erasure selection

Response

H'06

- Response, H'06, (one byte): Response for erasure selection
After the erasure program has been transferred, the boot program will return ACK.

Error Response

H'C8	ERROR
------	-------

- Error Response, H'C8, (one byte): Error response to erasure selection
- ERROR: (one byte): Error code
 - H'54: Selection processing error (transfer error occurs and processing is not completed)

(e) Block Erasure

The boot program will erase the contents of the specified block.

Command

H'58	Size	Block number	SUM
------	------	--------------	-----

- Command, H'58, (one byte): Erasure
- Size (one byte): The number of bytes that represents the erase block number
This is fixed to 1.
- Block number (one byte): Number of the block to be erased
- SUM (one byte): Checksum

Response

H'06

- Response, H'06, (one byte): Response to Erasure
After erasure has been completed, the boot program will return ACK.

Error Response

H'D8	ERROR
------	-------

- Error Response, H'D8, (one byte): Response to Erasure
- ERROR (one byte): Error code
 - H'11: Sum check error
 - H'29: Block number error
Block number is incorrect.
 - H'51: Erasure error
An error has occurred during erasure.

On receiving block number H'FF, the boot program will stop erasure and wait for a selection command.

Command

H'58	Size	Block number	SUM
------	------	--------------	-----

- Command, H'58, (one byte): Erasure
- Size, (one byte): The number of bytes that represents the block number
This is fixed to 1.
- Block number (one byte): H'FF
Stop code for erasure
- SUM (one byte): Checksum

Response

H'06

- Response, H'06, (one byte): Response to end of erasure (ACK)
When erasure is to be performed after the block number H'FF has been sent, the procedure should be executed from the erasure selection command.

(f) Memory Read

The boot program will return the data in the specified address.

Command	H'52	Size	Area	Read address		
	Read size			SUM		

- Command: H'52 (1 byte): Memory read
- Size (1 byte): Amount of data that represents the area, read address, and read size (fixed at 9)
- Area (1 byte)
 - H'00: User boot MAT
 - H'01: User MAT

An address error occurs when the area setting is incorrect.

- Read address (4 bytes): Start address to be read from
- Read size (4 bytes): Size of data to be read
- SUM (1 byte): Checksum

Response	H'52	Read size						
	Data	...						
	SUM							

- Response: H'52 (1 byte): Response to memory read
- Read size (4 bytes): Size of data to be read
- Data (n bytes): Data for the read size from the read address
- SUM (1 byte): Checksum

Error Response	H'D2	ERROR
----------------	------	-------

- Error response: H'D2 (1 byte): Error response to memory read
- ERROR: (1 byte): Error code
 - H'11: Sum check error
 - H'2A: Address error
 - The read address is not in the MAT.
 - H'2B: Size error
 - The read size exceeds the MAT.

(g) User-Boot Program Sum Check

The boot program will return the byte-by-byte total of the contents of the bytes of the user-boot program, as a four-byte value.

Command

H'4A

- Command, H'4A, (one byte): Sum check for user-boot program

Response

H'5A	Size	Checksum of user boot program	SUM
------	------	-------------------------------	-----

- Response, H'5A, (one byte): Response to the sum check of user-boot program
- Size (one byte): The number of bytes that represents the checksum
This is fixed to 4.
- Checksum of user boot program (four bytes): Checksum of user boot MATs
The total of the data is obtained in byte units.
- SUM (one byte): Sum check for data being transmitted

(h) User-Program Sum Check

The boot program will return the byte-by-byte total of the contents of the bytes of the user program.

Command

H'4B

- Command, H'4B, (one byte): Sum check for user program

Response

H'5B	Size	Checksum of user program	SUM
------	------	--------------------------	-----

- Response, H'5B, (one byte): Response to the sum check of the user program
- Size (one byte): The number of bytes that represents the checksum
This is fixed to 4.
- Checksum of user boot program (four bytes): Checksum of user MATs
The total of the data is obtained in byte units.
- SUM (one byte): Sum check for data being transmitted

(i) User Boot MAT Blank Check

The boot program will check whether or not all user boot MATs are blank and return the result.

Command

H'4C

- Command, H'4C, (one byte): Blank check for user boot MAT

Response

H'06

- Response, H'06, (one byte): Response to the blank check of user boot MAT
If all user MATs are blank (H'FF), the boot program will return ACK.

Error Response

H'CC	H'52
------	------

- Error Response, H'CC, (one byte): Response to blank check for user boot MAT
- Error Code, H'52, (one byte): Erasure has not been completed.

(j) User MAT Blank Check

The boot program will check whether or not all user MATs are blank and return the result.

Command

H'4D

- Command, H'4D, (one byte): Blank check for user MATs

Response

H'06

- Response, H'06, (one byte): Response to the blank check for user MATs
If the contents of all user MATs are blank (H'FF), the boot program will return ACK.

Error Response

H'CD	H'52
------	------

- Error Response, H'CD, (one byte): Error response to the blank check of user MATs.
- Error code, H'52, (one byte): Erasure has not been completed.

(k) Boot Program State Inquiry

The boot program will return indications of its present state and error condition. This inquiry can be made in the inquiry/selection state or the programming/erasing state.

Command

H'4F

- Command, H'4F, (one byte): Inquiry regarding boot program's state

Response

H'5F	Size	Status	ERROR	SUM
------	------	--------	-------	-----

- Response, H'5F, (one byte): Response to boot program state inquiry
- Size (one byte): The number of bytes. This is fixed to 2.
- Status (one byte): State of the boot program
- ERROR (one byte): Error status
 - ERROR = 0 indicates normal operation.
 - ERROR = 1 indicates error has occurred.
- SUM (one byte): Sum check

Table 17.17 Status Code

Code	Description
H'11	Device selection wait
H'12	Clock mode selection wait
H'13	Bit rate selection wait
H'1F	Programming/erasing state transition wait (bit rate selection is completed)
H'31	Programming state for erasure
H'3F	Programming/erasing selection wait (erasure is completed)
H'4F	Program data receive wait
H'5F	Erase block specification wait (erasure is completed)

Table 17.18 Error Code

Code	Description
H'00	No error
H'11	Sum check error
H'12	Program size error
H'21	Device code mismatch error
H'22	Clock mode mismatch error
H'24	Bit rate selection error
H'25	Input frequency error
H'26	Multiplication ratio error
H'27	Operating frequency error
H'29	Block number error
H'2A	Address error
H'2B	Data length error
H'51	Erase error
H'52	Erase incomplete error
H'53	Programming error
H'54	Selection processing error
H'80	Command error
H'FF	Bit-rate-adjustment confirmation error

17.14 Usage Notes

1. The initial state of the product at its shipment is in the erased state. For the product whose revision of erasing is undefined, we recommend to execute automatic erasure for checking the initial state (erased state) and compensating.
2. For the PROM programmer suitable for programmer mode in this LSI and its program version, refer to the instruction manual of the socket adapter.
3. If the socket, socket adapter, or product index does not match the specifications, too much current flows and the product may be damaged.
4. Use a PROM programmer that supports the device with 256-kbyte on-chip flash memory and 5.0-V programming voltage. Do not select HN28F101 and 3.3-V programming voltage with the programmer parameters. Use only the specified socket adapter.
5. Do not remove the chip from the PROM programmer nor input a reset signal during programming/erasing in which a high voltage is applied to the flash memory. Doing so may damage the flash memory permanently. If a reset is input accidentally, the reset must be released after the reset input period of at least 100 μ s.
6. The flash memory is not accessible until FKEY is cleared after programming/erasing starts. If the operating mode is changed and this LSI is restarted by a reset immediately after programming/erasing has finished, secure the reset input period (period of $\overline{\text{RES}} = 0$) of at least 100 μ s. Transition to the reset state during programming/erasing is inhibited. If a reset is input accidentally, the reset must be released after the reset input period of at least 100 μ s.
7. At powering on or off the Vcc power supply, fix the $\overline{\text{RES}}$ pin to low and set the flash memory to hardware protection state. This power on/off timing must also be satisfied at a power-off and power-on caused by a power failure and other factors.
8. In on-board programming mode or programmer mode, programming of the 128-byte programming-unit block must be performed only once. Perform programming in the state where the programming-unit block is fully erased.
9. When the chip is to be reprogrammed with the programmer after execution of programming or erasure in on-board programming mode, it is recommended that automatic programming is performed after execution of automatic erasure.
10. To program the flash memory, the program data and program must be placed at higher addresses than those of the external interrupt vector table, and H'FF must be written to all the system reserved areas in the exception handling vector table.
11. The programming program that includes the initialization routine and the erasing program that includes the initialization routine are each 4 kbytes or less. Accordingly, when the CPU clock frequency is 48 MHz, the download for each program takes approximately 35 μ s at the maximum.

12. A programming/erasing program for the flash memory used in a conventional F-ZTAT H8, H8S microcomputer which does not support download of the on-chip program by setting the SCO bit in FCCS to 1 cannot run in this LSI. Be sure to download the on-chip program to execute programming/erasing of the flash memory in this F-ZTAT H8SX microcomputer.
13. Unlike a conventional F-ZTAT H8 or H8S microcomputers, measures against a program crash are not taken by WDT during programming/erasing. When needed, measures should be taken by user. A periodic interrupt generated by the WDT can be used as the measures, as an example. The interrupt generation cycle should take into consideration time to download a programming/erasing program and time to program/erase the flash memory.
14. When downloading the programming/erasing program, do not clear the SCO bit in FCCS to 0 after immediately setting it to 1. Otherwise, download cannot be performed normally. Immediately after executing the instruction to set the SCO bit to 1, dummy read of the FCCS must be executed twice.
15. The contents of some general registers are not saved in a programming/erasing program. When needed, save general registers in the procedure program.

Section 18 Clock Pulse Generator

This LSI has an on-chip clock pulse generator (CPG) that generates the system clock ($I\phi$), peripheral module clock ($P\phi$), and external clock ($B\phi$).

The clock pulse generator consists of an oscillator, PLL (Phase Locked Loop) circuit, and divider. Figure 18.1 shows a block diagram of the clock pulse generator.

Clock frequencies can be changed by the PLL circuit and divider in the CPG. Changing the system clock control register (SCKCR) setting by software can change the clock frequencies.

This LSI supports three types of clocks: a system clock provided to the CPU and bus masters, a peripheral module clock provided to the peripheral modules, and an external clock provided to the external bus. These clocks can be specified independently. Note, however, that the frequencies of the peripheral clock and external clock are lower than that of the system clock.

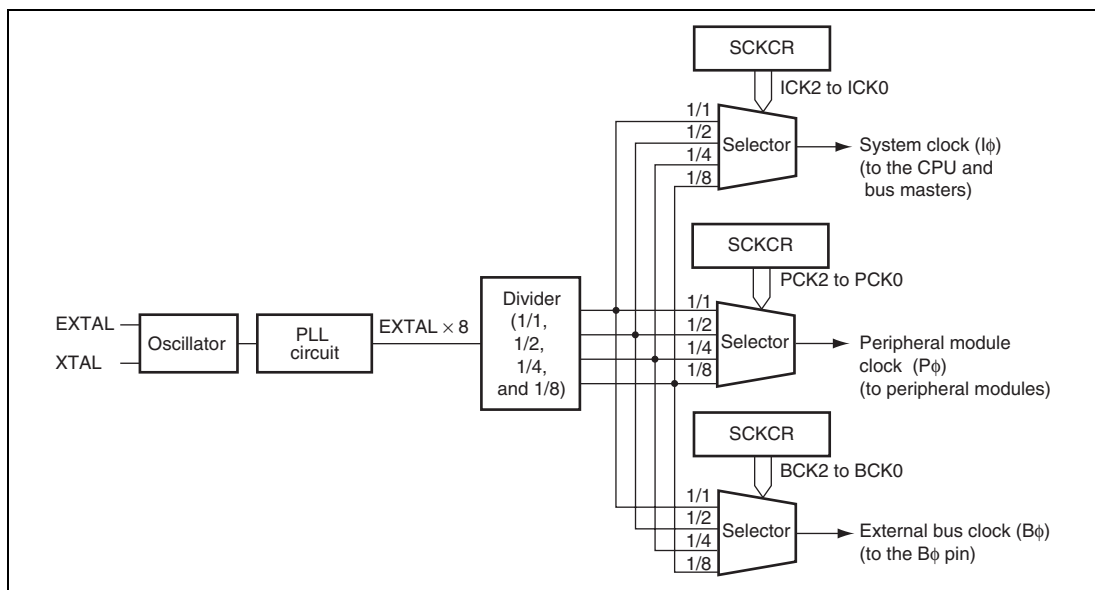


Figure 18.1 Block Diagram of Clock Pulse Generator

18.1 Register Description

The clock pulse generator has the following register.

- System clock control register (SCKCR)

18.1.1 System Clock Control Register (SCKCR)

SCKCR controls B ϕ clock output and frequencies of the system, peripheral module, and external clocks, and selects the B ϕ clock to be output.

Bit	15	14	13	12	11	10	9	8
Bit Name	PSTOP1	—	POSEL1	—	—	ICK2	ICK1	ICK0
Initial Value	0	0	0	0	0	0	1	0
R/W	R/W	R/W	R/W	R/W	R/W	R/W	R/W	R/W
Bit	7	6	5	4	3	2	1	0
Bit Name	—	PCK2	PCK1	PCK0	—	BCK2	BCK1	BCK0
Initial Value	0	0	1	0	0	0	1	0
R/W	R/W	R/W	R/W	R/W	R/W	R/W	R/W	R/W

Bit	Bit Name	Initial Value	R/W	Description
15	PSTOP1	0	R/W	B ϕ Clock Output Enable Controls ϕ output on PA7. <ul style="list-style-type: none"> • Normal operation 0: B ϕ output 1: Fixed high <ul style="list-style-type: none"> • Software standby mode X: Fixed high <ul style="list-style-type: none"> • Hardware standby mode X: Hi-Z
14	—	0	R/W	Reserved This bit is always read as 0. The write value should always be 0.

Bit	Bit Name	Initial Value	R/W	Description
13	POSEL1	0	R/W	B ϕ Output Select 1 Controls the B ϕ output on PA7. 0: External clock (B ϕ) 1: Setting prohibited
12, 11	—	All 0	R/W	Reserved These bits are always read as 0. The write value should always be 0.
10	ICK2	0	R/W	System Clock (I ϕ) Select
9	ICK1	1	R/W	These bits select the frequency of the system clock provided to the CPU, DTC, and DMAC. The ratio to the input clock is as follows: 000: $\times 8$ 001: $\times 4$ 010: $\times 2$ 011: $\times 1$ 1XX: Setting prohibited The frequency of the peripheral module clock changes to the same frequency as the system clock if the frequency of the system clock is lower than that of the peripheral module clock.
8	ICK0	0	R/W	
7	—	0	R/W	
6	PCK2	0	R/W	
5	PCK1	1	R/W	
4	PCK0	0	R/W	Peripheral Module Clock (P ϕ) Select These bits select the frequency of the peripheral module clock. The ratio to the input clock is as follows: 000: $\times 8$ 001: $\times 4$ 010: $\times 2$ 011: $\times 1$ 1XX: Setting prohibited The frequency of the peripheral module clock should be lower than that of the system clock. Though these bits can be set so as to make the frequency of the peripheral module clock higher than that of the system clock, the clocks will have the same frequency in reality.

Bit	Bit Name	Initial Value	R/W	Description
3	—	0	R/W	Reserved This bit is always read as 0. The write value should always be 0.
2	BCK2	0	R/W	External clock ($B\phi$) Select
1	BCK1	1	R/W	These bits select the frequency of the external clock.
0	BCK0	0	R/W	The ratio to the input clock is as follows: 000: $\times 8$ 001: $\times 4$ 010: $\times 2$ 011: $\times 1$ 1XX: Setting prohibited The frequency of the external clock should be lower than that of the system clock. Though these bits can be set so as to make the frequency of the external clock higher than that of the system clock, the clocks will have the same frequency in reality.

Note: X: Don't care

18.2 Oscillator

Clock pulses can be supplied by connecting a crystal resonator, or by input of an external clock.

18.2.1 Connecting Crystal Resonator

A crystal resonator can be connected as shown in the example in figure 18.2. Select the damping resistance R_d according to table 18.1. An AT-cut parallel-resonance type should be used.

When the clock is provided by connecting a crystal resonator, a crystal resonator having a frequency of 4 to 9 MHz should be connected.

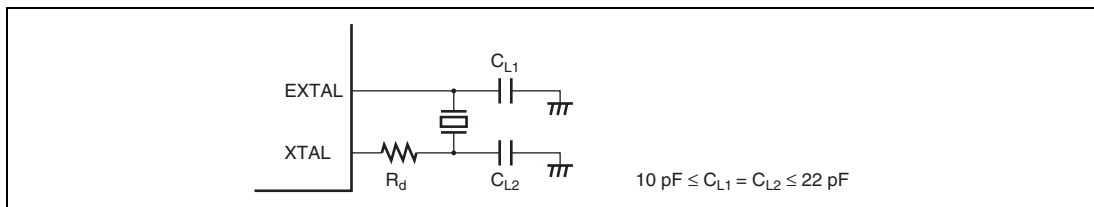


Figure 18.2 Connection of Crystal Resonator (Example)

Table 18.1 Damping Resistance Value

Frequency (MHz)	4	6	8	9
R_d (Ω)	500	300	200	100

Figure 18.3 shows an equivalent circuit of the crystal resonator. Use a crystal resonator that has the characteristics shown in table 18.2.

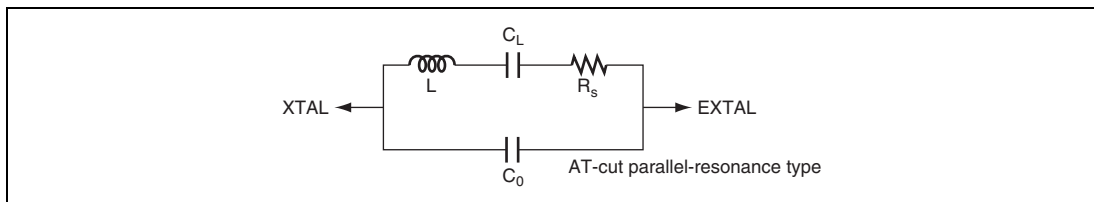


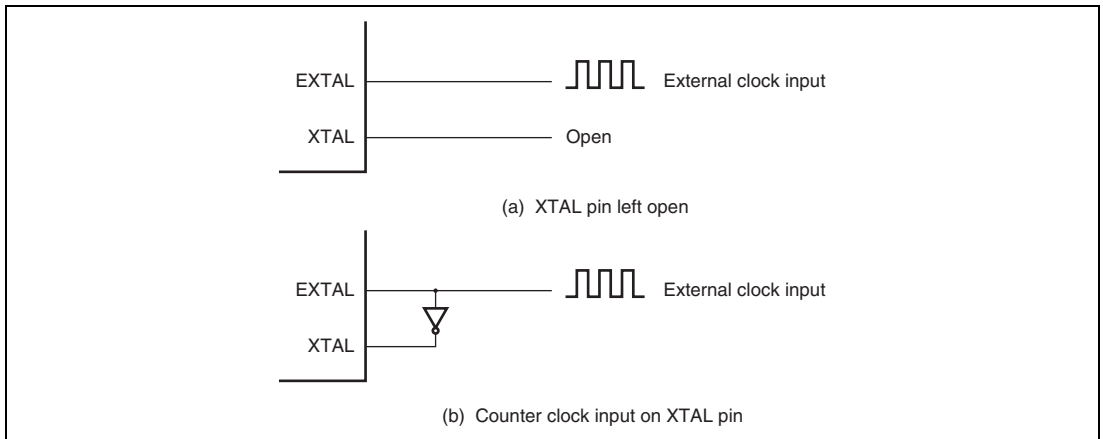
Figure 18.3 Crystal Resonator Equivalent Circuit

Table 18.2 Crystal Resonator Characteristics

Frequency (MHz)	4	6	8	9
R_s Max. (Ω)	120	100	80	80
C_0 Max. (pF)	7	7	7	7

18.2.2 External Clock Input

An external clock signal can be input as shown in the examples in figure 18.4. If the XTAL pin is left open, make sure that parasitic capacitance is no more than 10 pF. When the counter clock is input to the XTAL pin, make sure that the external clock is held high in standby mode.

**Figure 18.4 External Clock Input (Examples)**

For the input conditions of the external clock, refer to table 21.4, Clock Timing, in section 21.3.1, Clock Timing. The input external clock should be from 4 to 9 MHz.

18.3 PLL Circuit

The PLL circuit has the function of multiplying the frequency of the clock from the oscillator by a factor of 8. The frequency multiplication factor is fixed.

18.4 Frequency Divider

The frequency divider divides the PLL clock to generate a 1/2, 1/4, or 1/8 clock. After bits ICK2 to ICK0 and PCK 2 to PCK0 are modified, this LSI operates at the modified frequency.

18.5 Usage Notes

18.5.1 Notes on Clock Pulse Generator

1. The following points should be noted since the frequency of ϕ ($I\phi$: system clock and $P\phi$: peripheral module clock) supplied to each module changes according to the setting of SCKCR. Select a clock division ratio that is within the operation guaranteed range of clock cycle time t_{cyc} shown in the AC timing of electrical characteristics.
When the SSU is in use, $8\text{ MHz} \leq I\phi \leq 48\text{ MHz}$, and $8\text{ MHz} \leq P\phi \leq 24\text{ MHz}$, the following settings are not permitted: $I\phi < 8\text{ MHz}$, $I\phi > 48\text{ MHz}$, $P\phi < 8\text{ MHz}$, and $P\phi > 24\text{ MHz}$.
When the SSU is not in use, $8\text{ MHz} \leq I\phi \leq 48\text{ MHz}$, and $8\text{ MHz} \leq P\phi \leq 35\text{ MHz}$, the following settings are not permitted: $I\phi < 8\text{ MHz}$, $I\phi > 48\text{ MHz}$, $P\phi < 8\text{ MHz}$, and $P\phi > 35\text{ MHz}$.
2. All the on-chip peripheral modules (except for the DTC and DMAC) operate on the $P\phi$. Therefore, note that the time processing of modules such as a timer and SCI differs before and after changing the clock division ratio.
In addition, wait time for clearing software standby mode differs by changing the clock division ratio. For details, see section 19.7.3, Setting Oscillation Settling Time after Clearing Software Standby Mode.
3. The relationship between the system clock and peripheral module clock is $I\phi \geq P\phi$. In addition, the system clock setting has priority. Accordingly, $P\phi$ may have the frequency set by bits ICK2 to ICK0 regardless of the settings of bits PCK2 to PCK0.
4. Figure 18.5 shows the clock modification timing. After a value is written to SCKCR, this LSI waits for the current bus cycle to complete. After the current bus cycle completes, each clock frequency will be modified within one cycle (worst case) of the external clock.

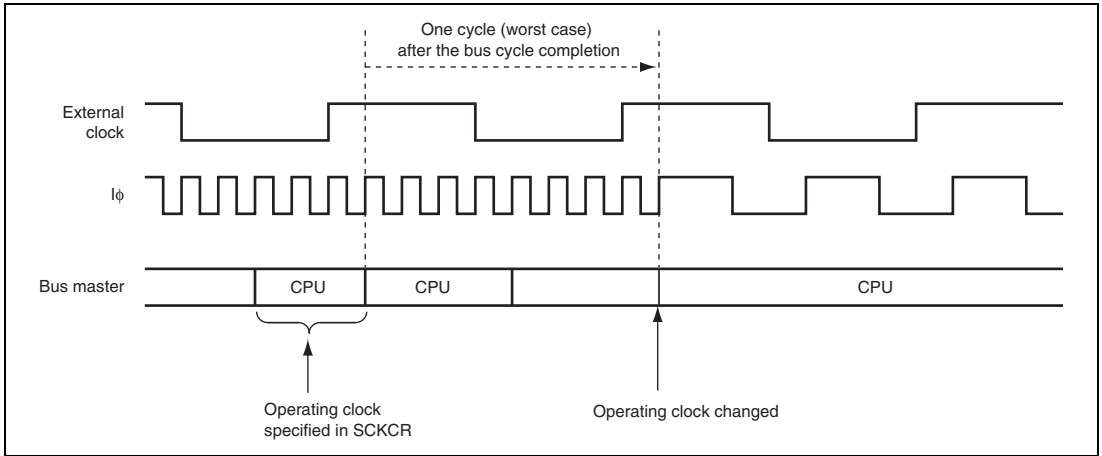


Figure 18.5 Clock Modification Timing

18.5.2 Notes on Resonator

Since various characteristics related to the resonator are closely linked to the user's board design, thorough evaluation is necessary on the user's part, using the resonator connection examples shown in this section as a reference. As the parameters for the resonator will depend on the floating capacitance of the resonator and the mounting circuit, the parameters should be determined in consultation with the resonator manufacturer. The design must ensure that a voltage exceeding the maximum rating is not applied to the resonator pin.

18.5.3 Notes on Board Design

When using the crystal resonator, place the crystal resonator and its load capacitors as close as possible to the XTAL and EXTAL pins. Other signal lines should be routed away from the oscillation circuit as shown in figure 18.6 to prevent induction from interfering with correct oscillation.

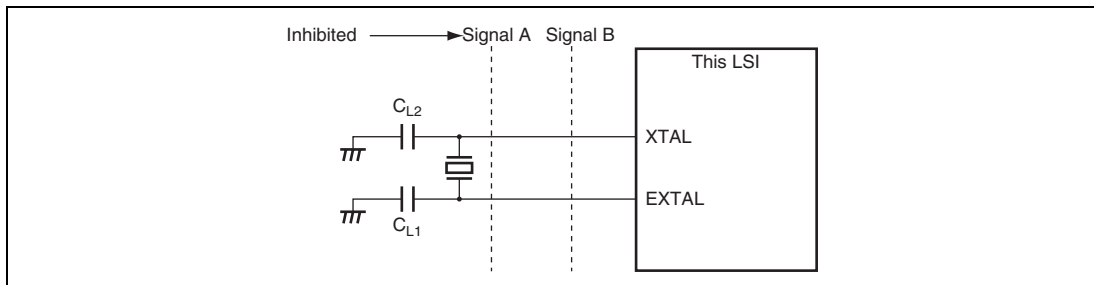


Figure 18.6 Note on Board Design for Oscillation Circuit

Figure 18.7 shows a connection example of bypass capacitor. Please be sure to insert bypass capacitor (CB) close to the Vcc and Vss pins and its capacitance meets the characteristics of the user system board.

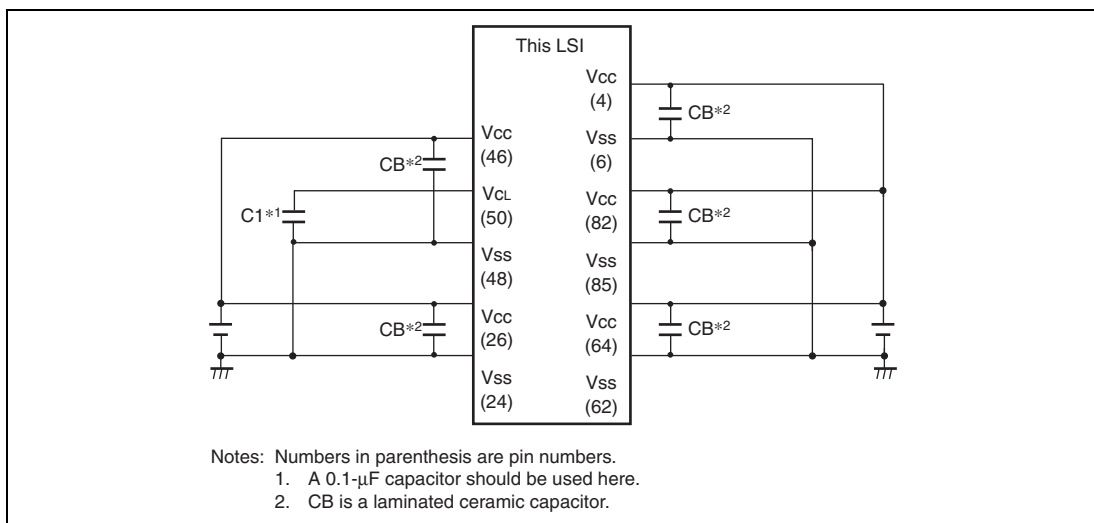


Figure 18.7 Connection Example of Bypass Capacitor

18.5.4 Notes on Input Clock Frequency

The frequency of the input clock is multiplied in the PLL circuit by a factor of 8. To reduce noises, a lower frequency ranging of 4 to 9 MHz is recommended.

Section 19 Power-Down Modes

This LSI has power consumption reduction functions, such as multi-clock function, module stop function, and transition function to power-down mode.

19.1 Features

- Multi-clock function
The frequency division ratio is settable independently for the system clock, peripheral module clock, and external bus clock.
- Module stop function
The functions for each peripheral modules can be stopped to make a transition to a power-down mode.
- Transition function to power-down mode
Transition to a power-down mode is possible to stop the CPU, all the on-chip peripheral modules, and oscillator.
- Three power-down modes
Sleep mode
All-module-clock-stop mode
Software standby mode

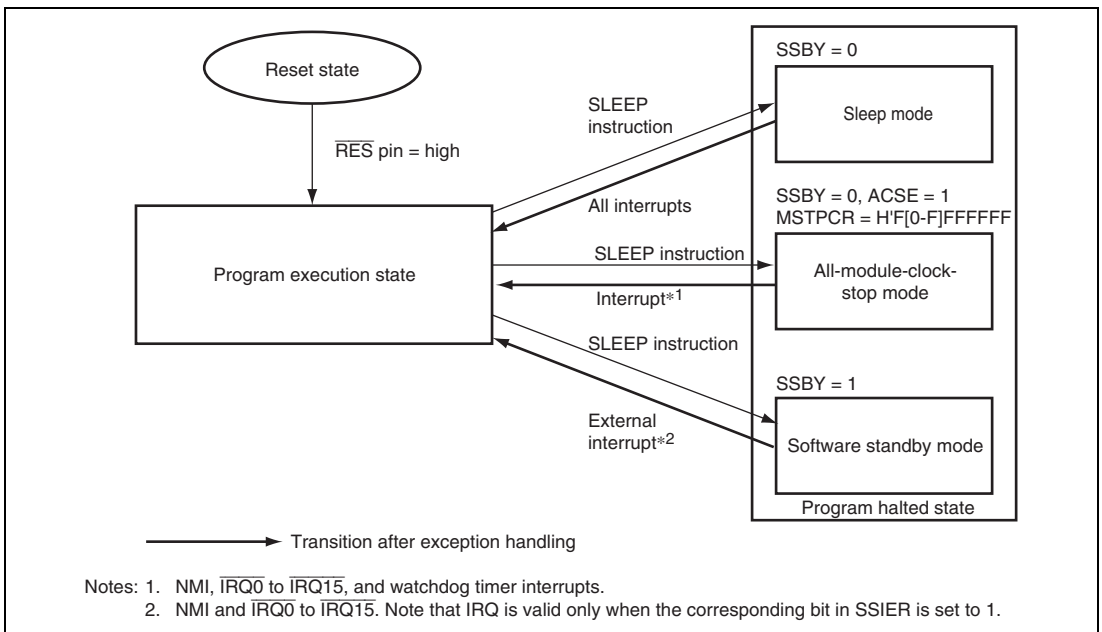
Table 19.1 shows conditions for making a transition to a power-down mode, states of the CPU and peripheral modules, and clearing method for each mode. After the reset state, since this LSI operates in normal program execution state, the modules, other than the DTC and DMAC are stopped.

Table 19.1 Operating States

Operating State	Sleep Mode	All-Module-Clock-Stop Mode	Software Standby Mode
Transition condition	Control register + instruction	Control register + instruction	Control register + instruction
Cancellation method	Interrupt	Interrupt* ²	External interrupt
Oscillator	Functions	Functions	Halted
CPU	Halted (retained)	Halted (retained)	Halted (retained)
Watchdog timer	Functions	Functions	Halted (retained)
Other peripheral modules	Functions	Halted* ³	Halted* ¹
I/O port	Functions	Retained	Retained

Notes: "Halted (retained)" in the table means that the internal register values are retained and internal operations are suspended.

1. SCI and SSU enter the reset state, and other peripheral modules retain their states.
2. External interrupt and some internal interrupts (watchdog timer)
3. SSU enters the reset state, and other peripheral modules retain their states.

**Figure 19.1 Mode Transitions**

19.2 Register Descriptions

The registers related to the power-down modes are shown below. For details on the system clock control register (SCKCR), refer to section 18.1.1, System Clock Control Register (SCKCR).

- Standby control register (SBYCR)
- Module stop control register A (MSTPCRA)
- Module stop control register B (MSTPCRB)
- Module stop control register C (MSTPCRC)

19.2.1 Standby Control Register (SBYCR)

SBYCR controls software standby mode.

Bit	15	14	13	12	11	10	9	8
Bit Name	SSBY	—	—	STS4	STS3	STS2	STS1	STS0
Initial Value	0	1	0	0	1	1	1	1
R/W	R/W	R/W	R/W	R/W	R/W	R/W	R/W	R/W

Bit	7	6	5	4	3	2	1	0
Bit Name	—	—	—	—	—	—	—	—
Initial Value	0	0	0	0	0	0	0	0
R/W	R/W	R/W	R/W	R/W	R/W	R/W	R/W	R/W

Bit	Bit Name	Initial Value	R/W	Description
15	0	0	R/W	Software Standby Specifies the transition mode after executing the SLEEP instruction 0: Shifts to sleep mode after the SLEEP instruction is executed 1: Shifts to software standby mode after the SLEEP instruction is executed

Bit	Bit Name	Initial Value	R/W	Description
14	—	1	R/W	Reserved This bit is always read as 1. The write value should always be 1.
13	—	0	R/W	Reserved This bit is always read as 0. The write value should always be 0.
12	STS4	0	R/W	Standby Timer Select 4 to 0
11	STS3	1	R/W	These bits select the time the MCU waits for the clock to settle when software standby mode is cleared by an external interrupt. With a crystal resonator, refer to table 19.2 and make a selection according to the operating frequency so that the standby time is at least equal to the oscillation settling time. With an external clock, a PLL circuit settling time is necessary. Refer to table 19.2 to set the standby time. While oscillation is being settled, the timer is counted on the P ϕ clock frequency. Careful consideration is required in multi-clock mode. 00000: Reserved 00001: Reserved 00010: Reserved 00011: Reserved 00100: Reserved 00101: Standby time = 64 states 00110: Standby time = 512 states 00111: Standby time = 1024 states 01000: Standby time = 2048 states 01001: Standby time = 4096 states 01010: Standby time = 16384 states 01011: Standby time = 32768 states 01100: Standby time = 65536 states 01101: Standby time = 131072 states 01110: Standby time = 262144 states 01111: Standby time = 524288 states 10000: Reserved 10001: Reserved 1001X: Reserved 101XX: Reserved 11XXX: Reserved
10	STS2	1	R/W	
9	STS1	1	R/W	
8	STS0	1	R/W	

Bit	Bit Name	Initial Value	R/W	Description
7 to 0	—	All 0	R/W	Reserved
				These bits are always read as 0. The write value should always be 0.

Note: The flash memory settling time must be reserved.

19.2.2 Module Stop Control Registers A and B (MSTPCRA and MSTPCRB)

MSTPCRA and MSTPCRB control module stop mode. Setting a bit to 1 makes the corresponding module enter module stop mode, while clearing the bit to 0 clears module stop mode.

• MSTPCRA

Bit	15	14	13	12	11	10	9	8
Bit Name	ACSE	MSTPA14	MSTPA13	MSTPA12	MSTPA11	MSTPA10	MSTPA9	MSTPA8
Initial Value	0	0	0	0	1	1	1	1
R/W	R/W	R/W	R/W	R/W	R/W	R/W	R/W	R/W
Bit	7	6	5	4	3	2	1	0
Bit Name	MSTPA7	MSTPA6	MSTPA5	MSTPA4	MSTPA3	MSTPA2	MSTPA1	MSTPA0
Initial Value	1	1	1	1	1	1	1	1
R/W	R/W	R/W	R/W	R/W	R/W	R/W	R/W	R/W

• MSTPCRB

Bit	15	14	13	12	11	10	9	8
Bit Name	MSTPB15	MSTPB14	MSTPB13	MSTPB12	MSTPB11	MSTPB10	MSTPB9	MSTPB8
Initial Value	1	1	1	1	1	1	1	1
R/W	R/W	R/W	R/W	R/W	R/W	R/W	R/W	R/W
Bit	7	6	5	4	3	2	1	0
Bit Name	MSTPB7	MSTPB6	MSTPB5	MSTPB4	MSTPB3	MSTPB2	MSTPB1	MSTPB0
Initial Value	1	1	1	1	1	1	1	1
R/W	R/W	R/W	R/W	R/W	R/W	R/W	R/W	R/W

- MSTPCRA

Bit	Bit Name	Initial Value	R/W	Module
15	ACSE	0	R/W	All-Module-Clock-Stop Mode Enable Enables/disables all-module-clock-stop mode for reducing current consumption by stopping the bus controller and I/O ports operations when the CPU executes the SLEEP instruction after module stop mode has been set for all the on-chip peripheral modules controlled by MSTPCR. 0: All-module-clock-stop mode disabled 1: All-module-clock-stop mode enabled
14	MSTPA14	0	R/W	Reserved These bits are always read as 0. The write value should always be 0.
13	MSTPA13	0	R/W	DMA controller (DMAC)
12	MSTPA12	0	R/W	Data transfer controller (DTC)
11	MSTPA11	1	R/W	Reserved
10	MSTPA10	1	R/W	These bits are always read as 1. The write value should always be 1.
9	MSTPA9	1	R/W	
8	MSTPA8	1	R/W	
7	MSTPA7	1	R/W	
6	MSTPA6	1	R/W	
5	MSTPA5	1	R/W	
4	MSTPA4	1	R/W	A/D converter (unit 1)
3	MSTPA3	1	R/W	A/D converter (unit 0)
2	MSTPA2	1	R/W	Reserved These bits are always read as 1. The write value should always be 1.
1	MSTPA1	1	R/W	16-bit timer pulse unit (TPU channels 11 to 6)
0	MSTPA0	1	R/W	16-bit timer pulse unit (TPU channels 5 to 0)

- MSTPCRB

Bit	Bit Name	Initial Value	R/W	Module
15	MSTPB15	1	R/W	Programmable pulse generator (PPG)
14	MSTPB14	1	R/W	Reserved
13	MSTPB13	1	R/W	These bits are always read as 1. The write value should always be 1.
12	MSTPB12	1	R/W	Serial communication interface_4 (SCI_4)
11	MSTPB11	1	R/W	Serial communication interface_3 (SCI_3)
10	MSTPB10	1	R/W	Reserved
9	MSTPB9	1	R/W	These bits are always read as 1. The write value should always be 1.
8	MSTPB	1	R/W	
7	MSTPB7	1	R/W	
6	MSTPB6	1	R/W	
5	MSTPB5	1	R/W	
4	MSTPB4	1	R/W	
3	MSTPB3	1	R/W	
2	MSTPB2	1	R/W	
1	MSTPB1	1	R/W	
0	MSTPB0	1	R/W	

19.2.3 Module Stop Control Register C (MSTPCRC)

When bits MSTPC1 and MSTPC0 are set to 1, the corresponding on-chip RAM stops. Do not set the corresponding MSTPC1 and MSTPC0 bits to 1 while accessing the on-chip RAM.

Bit	15	14	13	12	11	10	9	8
Bit Name	MSTPC15	MSTPC14	MSTPC13	MSTPC12	MSTPC11	MSTPC10	MSTPC9	MSTPC8
Initial Value	1	1	1	1	1	1	1	1
R/W	R/W	R/W	R/W	R/W	R/W	R/W	R/W	R/W

Bit	7	6	5	4	3	2	1	0
Bit Name	MSTPC7	MSTPC6	MSTPC5	MSTPC4	MSTPC3	MSTPC2	MSTPC1	MSTPC0
Initial Value	0	0	0	0	0	0	0	0
R/W	R/W	R/W	R/W	R/W	R/W	R/W	R/W	R/W

Bit	Bit Name	Initial Value	R/W	Module
15	MSTPC15	1	R/W	Reserved
14	MSTPC14	1	R/W	These bits are always read as 1. The write value should always be 1.
13	MSTPC13	1	R/W	
12	MSTPC12	1	R/W	
11	MSTPC11	1	R/W	
10	MSTPC10	1	R/W	Synchronous serial communication unit 2 (SSU_2)
9	MSTPC9	1	R/W	Synchronous serial communication unit 1 (SSU_1)
8	MSTPC8	1	R/W	Synchronous serial communication unit 0 (SSU_0)
7	MSTPC7	0	R/W	Reserved
6	MSTPC6	0	R/W	These bits are always read as 0. The write value should always be 0.
5	MSTPC5	0	R/W	
4	MSTPC4	0	R/W	
3	MSTPC3	0	R/W	
2	MSTPC2	0	R/W	
1	MSTPC1	0	R/W	On-chip RAM (H'FFF9000 to H'FFFBFFF)
0	MSTPC0	0	R/W	The write value to MSTPC1 and MSTPC0 should always be the same.

19.3 Multi-Clock Function

When bits ICK2 to ICK0, PCK2 to PCK0, and BCK2 to BCK0 in SCKCR are set, a transition is made to multi-clock mode at the end of the bus cycle. In multi-clock mode, the CPU and bus masters operate on the operating clock specified by bits ICK2 to ICK0. The peripheral modules operate on the operating clock specified by bits PCK2 to PCK0. The external bus operates on the operating clock specified by bits BCK2 to BCK0.

Even if the frequencies specified by bits PCK2 to PCK0 and BCK2 to BCK0 are higher than the frequency specified by bits ICK2 to ICK0, the specified values are not reflected in the peripheral module and external bus clocks. The peripheral module and external bus clocks are restricted to the operating clock specified by bits ICK2 to ICK0.

Multi-clock mode is cleared by clearing all of bits ICK2 to ICK0, PCK2 to PCK0, and BCK2 to BCK0 to 0. A transition is made to normal mode at the end of the bus cycle, and multi-clock mode is cleared.

If a SLEEP instruction is executed while the SSBY bit in SBYCR is cleared to 0, this LSI enters sleep mode. When sleep mode is cleared by an interrupt, multi-clock mode is restored.

If a SLEEP instruction is executed while the SSBY bit in SBYCR is set to 1, this LSI enters software standby mode. When software standby mode is cleared by an external interrupt, multi-clock mode is restored.

When the $\overline{\text{RES}}$ pin is driven low, the reset state is entered and multi-clock mode is cleared. The same applies to a reset caused by watchdog timer overflow.

19.4 Module Stop Mode

Module stop mode can be set for individual on-chip peripheral modules.

When the corresponding MSTP bit in MSTPCRA, MSTPCRB, or MSTPCRC is set to 1, module operation stops at the end of the bus cycle and a transition is made to module stop mode. The CPU continues operating independently.

When the corresponding MSTP bit is cleared to 0, module stop mode is cleared and the module starts operating at the end of the bus cycle. In module stop mode, the internal states of modules other than the SCI and SSU are retained.

After the reset state is cleared, all modules other than the DMAC, DTC, and on-chip RAM are in module stop mode.

The registers of the module for which module stop mode is selected cannot be read from or written to.

19.5 Sleep Mode

19.5.1 Transition to Sleep Mode

When the SLEEP instruction is executed when the SSBY bit in SBYCR is 0, the CPU enters sleep mode. In sleep mode, CPU operation stops but the contents of the CPU's internal registers are retained. Other peripheral functions do not stop.

19.5.2 Clearing Sleep Mode

Sleep mode is exited by any interrupt, signals on the $\overline{\text{RES}}$ pin, and a reset caused by a watchdog timer overflow.

1. Clearing by interrupt

When an interrupt occurs, sleep mode is exited and interrupt exception processing starts. Sleep mode is not exited if the interrupt is disabled, or interrupts other than NMI are masked by the CPU.

2. Clearing by $\overline{\text{RES}}$ pin

Setting the $\overline{\text{RES}}$ pin level low selects the reset state. After the stipulated reset input duration, driving the $\overline{\text{RES}}$ pin high makes the CPU start the reset exception processing.

3. Clearing by reset caused by watchdog timer overflow

Sleep mode is exited by an internal reset caused by a watchdog timer overflow.

19.6 All-Module-Clock-Stop Mode

When the ACSE bit in MSTPCRA is set to 1 and all modules controlled by MSTPCR are stopped (MSTPCRA, MSTPCRB = H'FFFFFFF, MSTPCRC = H'FF00), executing a SLEEP instruction with the SSBY bit in SBYCR cleared to 0 will cause all modules (except for the watchdog timer), the bus controller, and the I/O ports to stop operating, and to make a transition to all-module-clock-stop mode at the end of the bus cycle.

All-module-clock-stop mode is cleared by an external interrupt (NMI or $\overline{\text{IRQ0}}$ to $\overline{\text{IRQ15}}$ pins), $\overline{\text{RES}}$ pin input, or an internal interrupt (watchdog timer), and the CPU returns to the normal program execution state via the exception handling state. All-module-clock-stop mode is not cleared if interrupts are disabled or interrupts other than NMI are masked on the CPU side.

19.7 Software Standby Mode

19.7.1 Transition to Software Standby Mode

If a SLEEP instruction is executed when the SSBY bit in SBYCR is set to 1, software standby mode is entered. In this mode, the CPU, on-chip peripheral functions, and oscillator all stop. However, the contents of the CPU's internal registers, on-chip RAM data, and the states of on-chip peripheral functions other than the SCI and SSU, and the states of the I/O ports, are retained. In this mode the oscillator stops, allowing power consumption to be significantly reduced.

If the WDT is used as a watchdog timer, it is impossible to make a transition to software standby mode. The WDT should be stopped before the SLEEP instruction execution.

19.7.2 Clearing Software Standby Mode

Software standby mode is cleared by an external interrupt (NMI pin, or pins $\overline{\text{IRQ0}}$ to $\overline{\text{IRQ15}}$ *), or by means of the $\overline{\text{RES}}$ pin.

1. Clearing by interrupt

When an NMI or IRQ0 to IRQ15* interrupt request signal is input, clock oscillation starts, and after the elapse of the time set in bits STS4 to STS0 in SBYCR, stable clocks are supplied to the entire LSI, software standby mode is cleared, and interrupt exception handling is started.

When clearing software standby mode with an $\overline{\text{IRQ0}}$ to $\overline{\text{IRQ15}}$ * interrupt, set the corresponding enable bit to 1 and ensure that no interrupt with a higher priority than interrupts $\overline{\text{IRQ0}}$ to $\overline{\text{IRQ15}}$ * is generated. Software standby mode cannot be cleared if the interrupt has been masked on the CPU side or has been designated as a DTC or DMAC activation source.

Note: * By setting the SSIn bit in SSIER to 1, $\overline{\text{IRQ0}}$ to $\overline{\text{IRQ15}}$ can be used as a software standby mode clearing source.

2. Clearing by $\overline{\text{RES}}$ pin

When the $\overline{\text{RES}}$ pin is driven low, clock oscillation is started. At the same time as clock oscillation starts, clocks are supplied to the entire LSI. Note that the $\overline{\text{RES}}$ pin must be held low until clock oscillation settles. When the $\overline{\text{RES}}$ pin goes high, the CPU begins reset exception handling.

19.7.3 Setting Oscillation Settling Time after Clearing Software Standby Mode

Bits STS4 to STS0 in SBYCR should be set as described below.

1. Using a crystal resonator

Set bits STS4 to STS0 so that the standby time is at least equal to the oscillation settling time.

Table 19.2 shows the standby times for operating frequencies and settings of bits STS4 to STS0.

2. Using an external clock

A PLL circuit settling time is necessary. Refer to table 19.2 to set the standby time.

Table 19.2 Oscillation Settling Time Settings

STS4	STS3	STS2	STS1	STS0	Standby Time	P ϕ * [MHz]						Unit						
						35	25	20	13	10	8							
0	0	0	0	0	Reserved	—	—	—	—	—	—	μ s						
					1	Reserved	—	—	—	—	—		—					
					1	0	Reserved	—	—	—	—		—	—				
						1	Reserved	—	—	—	—		—	—				
					1	0	0	0	Reserved	—	—		—	—	—	—		
								1	64	1.8	2.6		3.2	4.9	6.4	8.0		
								1	0	512	14.6		20.5	25.6	39.4	51.2	64.0	
									1	1024	29.3		41.0	51.2	78.8	102.4	128.0	
								1	0	0	2048		58.5	81.9	102.4	157.5	204.8	256.0
										1	4096		0.12	0.16	0.20	0.32	0.41	0.51
1	0	0	1	0	16384	0.47	0.66	0.82	1.26	1.64	2.05							
				1	32765	0.94	1.31	1.64	2.52	3.28	4.10							
				1	0	65536	1.87	2.62	3.28	5.04	6.55	8.19						
					1	131072	3.74	5.24	6.55	10.08	13.11	16.38						
				1	0	0	262144	7.49	10.49	13.11	20.16	26.21	32.77					
						1	524288	14.98	20.97	26.21	40.33	52.43	65.54					
1	0	0	0	0	Reserved	—	—	—	—	—								

: Recommended time setting when using an external clock.

: Recommended time setting when using a crystal resonator.

Note: * ϕ is the output from the peripheral module frequency divider.

19.7.4 Software Standby Mode Application Example

Figure 19.2 shows an example in which a transition is made to software standby mode at the falling edge on the NMI pin, and software standby mode is cleared at the rising edge on the NMI pin.

In this example, an NMI interrupt is accepted with the NMIEG bit in INTCR cleared to 0 (falling edge specification), then the NMIEG bit is set to 1 (rising edge specification), the SSBY bit is set to 1, and a SLEEP instruction is executed, causing a transition to software standby mode.

Software standby mode is then cleared at the rising edge on the NMI pin.

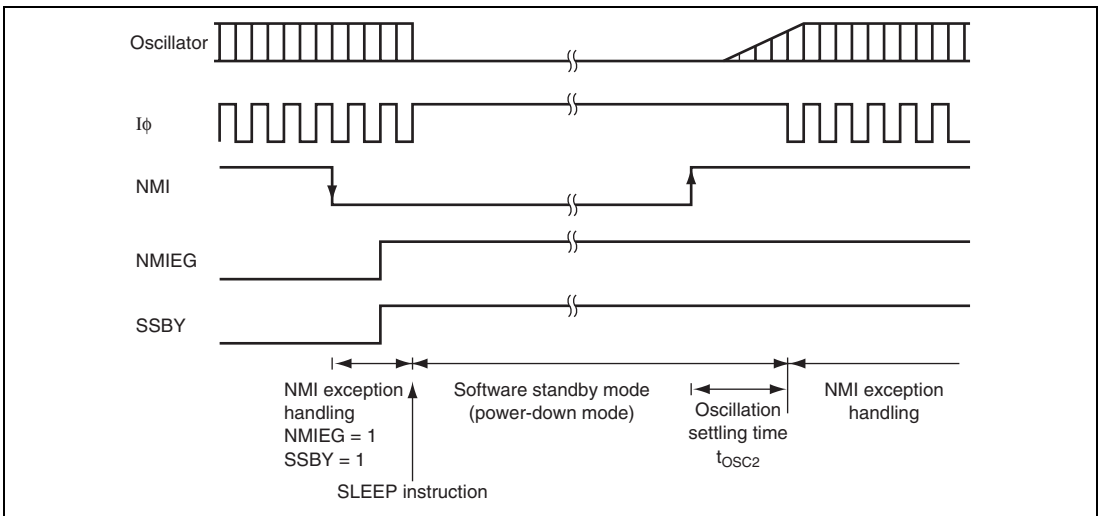


Figure 19.2 Software Standby Mode Application Example

19.8 B ϕ Clock Output Control

Output of the B ϕ clock can be controlled by bits PSTOP1 and POSEL1 in SCKCR, and DDR for the corresponding PA7 pin.

Clearing both bits PSTOP1 and POSEL1 to 0 enables the B ϕ clock output on the PA7 pin. When bit PSTOP1 is set to 1, the B ϕ clock output stops at the end of the bus cycle, and the B ϕ clock output goes high. When DDR for the PA7 pin is cleared to 0, the B ϕ clock output is disabled and the pin becomes an input port.

Disabling B ϕ output can reduce electromagnetic interference (EMI). Take it into consideration for design of the user system board.

Tables 19.3 shows the states of the B ϕ pin in each processing state.

Table 19.3 B ϕ Pin (PA7) State in Each Processing State

Register Setting Value			Normal Operating State	Sleep Mode	All-Module- Clock-Stop Mode	Software Standby Mode	
DDR	PSTOP1	POSEL1				OPE = 0	OPE = 1
0	X	X	Hi-Z	Hi-Z	Hi-Z	Hi-Z	Hi-Z
1	0	0	B ϕ output	B ϕ output	B ϕ output	High	High
1	0	1	Setting prohibited	Setting prohibited	Setting prohibited	Setting prohibited	Setting prohibited
1	1	X	High	High	High	High	High

19.9 Usage Notes

19.9.1 I/O Port Status

In software standby mode, the I/O port states are retained. Therefore, there is no reduction in current consumption for the output current when a high-level signal is output.

19.9.2 Current Consumption during Oscillation Settling Standby Period

Current consumption increases during the oscillation settling standby period.

19.9.3 DTC and DMAC Module Stop

Depending on the operating state of the DMAC and DTC, bit MSTPA13 or MSTPA12 may not be set to 1. Setting of the DMAC or DTC module stop mode should be carried out only when the DMAC or DTC is not activated.

For details, refer to section 7, DMA Controller (DMAC), and section 8, Data Transfer Controller (DTC).

19.9.4 On-Chip Peripheral Module Interrupts

Relevant interrupt operations cannot be performed in module stop mode. Consequently, if module stop mode is entered when an interrupt has been requested, it will not be possible to clear the CPU interrupt source or the DMAC or DTC activation source. Interrupts should therefore be disabled before entering module stop mode.

19.9.5 Writing to MSTPCRA, MSTPCRB, and MSTPCRC

MSTPCRA, MSTPCRB, and MSTPCRC should only be written to by the CPU.

Section 20 List of Registers

The register list gives information on the on-chip I/O register addresses, how the register bits are configured, and the register states in each operating mode. The information is given as shown below.

1. Register addresses (address order)
 - Registers are listed from the lower allocation addresses.
 - Registers are classified according to functional modules.
 - Undefined and reserved addresses cannot be accessed. Do not access these addresses; otherwise, the operation when accessing these bits and subsequent operations cannot be guaranteed.
2. Register bits
 - Bit configurations of the registers are listed in the same order as the register addresses.
 - Reserved bits are indicated by — in the bit name column.
 - Space in the bit name field indicates that the entire register is allocated to either the counter or data.
 - For the registers of 16 or 32 bits, the MSB is listed first.
Byte configuration description order is subject to big endian.
3. Register states in each operating mode
 - Register states are listed in the same order as the register addresses.
 - For the initialized state of each bit, refer to the register description in the corresponding section.
 - The register states shown here are for the basic operating modes. If there is a specific reset for an on-chip peripheral module, refer to the section on that on-chip peripheral module.

20.1 Register Addresses (Address Order)

Register Name	Abbr.	Number of Bits	Address*	Module	Data Width	Access Cycles (Read/Write)
SS control register H_0	SSCRH_0	8	H'FF200	SSU_0	16	3P ϕ /3P ϕ
SS control register L_0	SSCRL_0	8	H'FF201	SSU_0	16	3P ϕ /3P ϕ
SS mode register_0	SSMR_0	8	H'FF202	SSU_0	16	3P ϕ /3P ϕ
SS enable register_0	SSER_0	8	H'FF203	SSU_0	16	3P ϕ /3P ϕ
SS status register_0	SSSR_0	8	H'FF204	SSU_0	16	3P ϕ /3P ϕ
SS control register 2_0	SSCR2_0	8	H'FF205	SSU_0	16	3P ϕ /3P ϕ
SS transmit data register 0_0	SSTDR0_0	8	H'FF206	SSU_0	16	3P ϕ /3P ϕ
SS transmit data register 1_0	SSTDR1_0	8	H'FF207	SSU_0	16	3P ϕ /3P ϕ
SS transmit data register 2_0	SSTDR2_0	8	H'FF208	SSU_0	16	3P ϕ /3P ϕ
SS transmit data register 3_0	SSTDR3_0	8	H'FF209	SSU_0	16	3P ϕ /3P ϕ
SS receive data register 0_0	SSRDR0_0	8	H'FF20A	SSU_0	16	3P ϕ /3P ϕ
SS receive data register 1_0	SSRDR1_0	8	H'FF20B	SSU_0	16	3P ϕ /3P ϕ
SS receive data register 2_0	SSRDR2_0	8	H'FF20C	SSU_0	16	3P ϕ /3P ϕ
SS receive data register 3_0	SSRDR3_0	8	H'FF20D	SSU_0	16	3P ϕ /3P ϕ
SS control register H_1	SSCRH_1	8	H'FF210	SSU_1	16	3P ϕ /3P ϕ
SS control register L_1	SSCRL_1	8	H'FF211	SSU_1	16	3P ϕ /3P ϕ
SS mode register_1	SSMR_1	8	H'FF212	SSU_1	16	3P ϕ /3P ϕ
SS enable register_1	SSER_1	8	H'FF213	SSU_1	16	3P ϕ /3P ϕ
SS status register_1	SSSR_1	8	H'FF214	SSU_1	16	3P ϕ /3P ϕ
SS control register2_1	SSCR2_1	8	H'FF215	SSU_1	16	3P ϕ /3P ϕ
SS transmit data register 0_1	SSTDR0_1	8	H'FF216	SSU_1	16	3P ϕ /3P ϕ
SS transmit data register 1_1	SSTDR1_1	8	H'FF217	SSU_1	16	3P ϕ /3P ϕ
SS transmit data register 2_1	SSTDR2_1	8	H'FF218	SSU_1	16	3P ϕ /3P ϕ
SS transmit data register 3_1	SSTDR3_1	8	H'FF219	SSU_1	16	3P ϕ /3P ϕ
SS receive data register 0_1	SSRDR0_1	8	H'FF21A	SSU_1	16	3P ϕ /3P ϕ
SS receive data register 1_1	SSRDR1_1	8	H'FF21B	SSU_1	16	3P ϕ /3P ϕ
SS receive data register 2_1	SSRDR2_1	8	H'FF21C	SSU_1	16	3P ϕ /3P ϕ
SS receive data register 3_1	SSRDR3_1	8	H'FF21D	SSU_1	16	3P ϕ /3P ϕ
SS control register H_2	SSCRH_2	8	H'FF220	SSU_2	16	3P ϕ /3P ϕ
SS control register L_2	SSCRL_2	8	H'FF221	SSU_2	16	3P ϕ /3P ϕ

Register Name	Abbr.	Number of Bits	Address*	Module	Data Width	Access Cycles (Read/Write)
SS mode register_2	SSMR_2	8	H'FF222	SSU_2	16	3P ϕ /3P ϕ
SS enable register_2	SSER_2	8	H'FF223	SSU_2	16	3P ϕ /3P ϕ
SS status register_2	SSSR_2	8	H'FF224	SSU_2	16	3P ϕ /3P ϕ
SS control register 2_2	SSCR2_2	8	H'FF225	SSU_2	16	3P ϕ /3P ϕ
SS transmit data register 0_2	SSTDR0_2	8	H'FF226	SSU_2	16	3P ϕ /3P ϕ
SS transmit data register 1_2	SSTDR1_2	8	H'FF227	SSU_2	16	3P ϕ /3P ϕ
SS transmit data register 2_2	SSTDR2_2	8	H'FF228	SSU_2	16	3P ϕ /3P ϕ
SS transmit data register 3_2	SSTDR3_2	8	H'FF229	SSU_2	16	3P ϕ /3P ϕ
SS receive data register 0_2	SSRDR0_2	8	H'FF22A	SSU_2	16	3P ϕ /3P ϕ
SS receive data register 1_2	SSRDR1_2	8	H'FF22B	SSU_2	16	3P ϕ /3P ϕ
SS receive data register 2_2	SSRDR2_2	8	H'FF22C	SSU_2	16	3P ϕ /3P ϕ
SS receive data register 3_2	SSRDR3_2	8	H'FF22D	SSU_2	16	3P ϕ /3P ϕ
Port H realtime input data register	PHRTIDR	8	H'FF240	PORT	16	3P ϕ /3P ϕ
Analog port pull-down control register	APPDCR	16	H'FF284	A/D	16	3P ϕ /3P ϕ
A/D data register A_1	ADDRA_1	16	H'FFA90	A/D_1	16	2P ϕ /2P ϕ
A/D data register B_1	ADDRB_1	16	H'FFA92	A/D_1	16	2P ϕ /2P ϕ
A/D data register C_1	ADDRC_1	16	H'FFA94	A/D_1	16	2P ϕ /2P ϕ
A/D data register D_1	ADDRD_1	16	H'FFA96	A/D_1	16	2P ϕ /2P ϕ
A/D data register E_1	ADDRE_1	16	H'FFA98	A/D_1	16	2P ϕ /2P ϕ
A/D data register F_1	ADDRF_1	16	H'FFA9A	A/D_1	16	2P ϕ /2P ϕ
A/D data register G_1	ADDRG_1	16	H'FFA9C	A/D_1	16	2P ϕ /2P ϕ
A/D data register H_1	ADDRH_1	16	H'FFA9E	A/D_1	16	2P ϕ /2P ϕ
A/D control/status register_1	ADCSR_1	8	H'FFAA0	A/D_1	16	2P ϕ /2P ϕ
A/D control register_1	ADCR_1	8	H'FFAA1	A/D_1	16	2P ϕ /2P ϕ
Timer start register	TSTRB	8	H'FFB00	TPU	16	2P ϕ /2P ϕ
Timer synchronous register	TSYRB	8	H'FFB01	TPU	16	2P ϕ /2P ϕ
Timer control register_6	TCR_6	8	H'FFB10	TPU_6	16	2P ϕ /2P ϕ
Timer mode register_6	TMDR_6	8	H'FFB11	TPU_6	16	2P ϕ /2P ϕ
Timer I/O control register H_6	TIORH_6	8	H'FFB12	TPU_6	16	2P ϕ /2P ϕ
Timer I/O control register L_6	TIORL_6	8	H'FFB13	TPU_6	16	2P ϕ /2P ϕ
Timer interrupt enable register_6	TIER_6	8	H'FFB14	TPU_6	16	2P ϕ /2P ϕ

Register Name	Abbr.	Number of Bits	Address*	Module	Data Width	Access Cycles (Read/Write)
Timer status register_6	TSR_6	8	H'FFB15	TPU_6	16	2P ϕ /2P ϕ
Timer counter_6	TCNT_6	16	H'FFB16	TPU_6	16	2P ϕ /2P ϕ
Timer general register A_6	TGRA_6	16	H'FFB18	TPU_6	16	2P ϕ /2P ϕ
Timer general register B_6	TGRB_6	16	H'FFB1A	TPU_6	16	2P ϕ /2P ϕ
Timer general register C_6	TGRC_6	16	H'FFB1C	TPU_6	16	2P ϕ /2P ϕ
Timer general register D_6	TGRD_6	16	H'FFB1E	TPU_6	16	2P ϕ /2P ϕ
Timer control register_7	TCR_7	8	H'FFB20	TPU_7	16	2P ϕ /2P ϕ
Timer mode register_7	TMDR_7	8	H'FFB21	TPU_7	16	2P ϕ /2P ϕ
Timer I/O control register_7	TIOR_7	8	H'FFB22	TPU_7	16	2P ϕ /2P ϕ
Timer interrupt enable register_7	TIER_7	8	H'FFB24	TPU_7	16	2P ϕ /2P ϕ
Timer status register_7	TSR_7	8	H'FFB25	TPU_7	16	2P ϕ /2P ϕ
Timer counter_7	TCNT_7	16	H'FFB26	TPU_7	16	2P ϕ /2P ϕ
Timer general register A_7	TGRA_7	16	H'FFB28	TPU_7	16	2P ϕ /2P ϕ
Timer general register B_7	TGRB_7	16	H'FFB2A	TPU_7	16	2P ϕ /2P ϕ
Timer control register_8	TCR_8	8	H'FFB30	TPU_8	16	2P ϕ /2P ϕ
Timer mode register_8	TMDR_8	8	H'FFB31	TPU_8	16	2P ϕ /2P ϕ
Timer I/O control register_8	TIOR_8	8	H'FFB32	TPU_8	16	2P ϕ /2P ϕ
Timer interrupt enable register_8	TIER_8	8	H'FFB34	TPU_8	16	2P ϕ /2P ϕ
Timer status register_8	TSR_8	8	H'FFB35	TPU_8	16	2P ϕ /2P ϕ
Timer counter_8	TCNT_8	16	H'FFB36	TPU_8	16	2P ϕ /2P ϕ
Timer general register A_8	TGRA_8	16	H'FFB38	TPU_8	16	2P ϕ /2P ϕ
Timer general register B_8	TGRB_8	16	H'FFB3A	TPU_8	16	2P ϕ /2P ϕ
Timer control register_9	TCR_9	8	H'FFB40	TPU_9	16	2P ϕ /2P ϕ
Timer mode register_9	TMDR_9	8	H'FFB41	TPU_9	16	2P ϕ /2P ϕ
Timer I/O control register H_9	TIORH_9	8	H'FFB42	TPU_9	16	2P ϕ /2P ϕ
Timer I/O control register L_9	TIORL_9	8	H'FFB43	TPU_9	16	2P ϕ /2P ϕ
Timer interrupt enable register_9	TIER_9	8	H'FFB44	TPU_9	16	2P ϕ /2P ϕ
Timer status register_9	TSR_9	8	H'FFB45	TPU_9	16	2P ϕ /2P ϕ
Timer counter_9	TCNT_9	16	H'FFB46	TPU_9	16	2P ϕ /2P ϕ
Timer general register A_9	TGRA_9	16	H'FFB48	TPU_9	16	2P ϕ /2P ϕ
Timer general register B_9	TGRB_9	16	H'FFB4A	TPU_9	16	2P ϕ /2P ϕ
Timer general register C_9	TGRC_9	16	H'FFB4C	TPU_9	16	2P ϕ /2P ϕ
Timer general register D_9	TGRD_9	16	H'FFB4E	TPU_9	16	2P ϕ /2P ϕ

Register Name	Abbr.	Number of Bits	Address*	Module	Data Width	Access Cycles (Read/Write)
Timer control register_10	TCR_10	8	H'FFB50	TPU_10	16	2P ϕ /2P ϕ
Timer mode register_10	TMDR_10	8	H'FFB51	TPU_10	16	2P ϕ /2P ϕ
Timer I/O control register_10	TIOR_10	8	H'FFB52	TPU_10	16	2P ϕ /2P ϕ
Timer interrupt enable register_10	TIER_10	8	H'FFB54	TPU_10	16	2P ϕ /2P ϕ
Timer status register_10	TSR_10	8	H'FFB55	TPU_10	16	2P ϕ /2P ϕ
Timer counter _10	TCNT_10	16	H'FFB56	TPU_10	16	2P ϕ /2P ϕ
Timer general register A_10	TGRA_10	16	H'FFB58	TPU_10	16	2P ϕ /2P ϕ
Timer general register B_10	TGRB_10	16	H'FFB5A	TPU_10	16	2P ϕ /2P ϕ
Timer control register_11	TCR_11	8	H'FFB60	TPU_11	16	2P ϕ /2P ϕ
Timer mode register_11	TMDR_11	8	H'FFB61	TPU_11	16	2P ϕ /2P ϕ
Timer I/O control register_11	TIOR_11	8	H'FFB62	TPU_11	16	2P ϕ /2P ϕ
Timer interrupt enable register_11	TIER_11	8	H'FFB64	TPU_11	16	2P ϕ /2P ϕ
Timer status register_11	TSR_11	8	H'FFB65	TPU_11	16	2P ϕ /2P ϕ
Timer counter _11	TCNT_11	16	H'FFB66	TPU_11	16	2P ϕ /2P ϕ
Timer general register A_11	TGRA_11	16	H'FFB68	TPU_11	16	2P ϕ /2P ϕ
Timer general register B_11	TGRB_11	16	H'FFB6A	TPU_11	16	2P ϕ /2P ϕ
Port 1 data direction register	P1DDR	8	H'FFB80	I/O port	8	2P ϕ /2P ϕ
Port 2 data direction register	P2DDR	8	H'FFB81	I/O port	8	2P ϕ /2P ϕ
Port 3 data direction register	P3DDR	8	H'FFB82	I/O port	8	2P ϕ /2P ϕ
Port 6 data direction register	P6DDR	8	H'FFB85	I/O port	8	2P ϕ /2P ϕ
Port A data direction register	PADDR	8	H'FFB89	I/O port	8	2P ϕ /2P ϕ
Port B data direction register	PBDDR	8	H'FFB8A	I/O port	8	2P ϕ /2P ϕ
Port D data direction register	PDDDR	8	H'FFB8C	I/O port	8	2P ϕ /2P ϕ
Port 1 input buffer control register	P1ICR	8	H'FFB90	I/O port	8	2P ϕ /2P ϕ
Port 2 input buffer control register	P2ICR	8	H'FFB91	I/O port	8	2P ϕ /2P ϕ
Port 3 input buffer control register	P3ICR	8	H'FFB92	I/O port	8	2P ϕ /2P ϕ
Port 4 input buffer control register	P4ICR	8	H'FFB93	I/O port	8	2P ϕ /2P ϕ
Port 5 input buffer control register	P5ICR	8	H'FFB94	I/O port	8	2P ϕ /2P ϕ
Port 6 input buffer control register	P6ICR	8	H'FFB95	I/O port	8	2P ϕ /2P ϕ

Register Name	Abbr.	Number of Bits	Address*	Module	Data Width	Access Cycles (Read/Write)
Port A input buffer control register	PAICR	8	H'FFB99	I/O port	8	2P ϕ /2P ϕ
Port B input buffer control register	PBICR	8	H'FFB9A	I/O port	8	2P ϕ /2P ϕ
Port D input buffer control register	PDICR	8	H'FFB9C	I/O port	8	2P ϕ /2P ϕ
Port H register	PORTH	8	H'FFBA0	I/O port	8	2P ϕ /2P ϕ
Port I register	PORTI	8	H'FFBA1	I/O port	8	2P ϕ /2P ϕ
Port J register	PORTJ	8	H'FFBA2	I/O port	8	2P ϕ /2P ϕ
Port K register	PORTK	8	H'FFBA3	I/O port	8	2P ϕ /2P ϕ
Port H data register	PHDR	8	H'FFBA4	I/O port	8	2P ϕ /2P ϕ
Port I data register	PIDR	8	H'FFBA5	I/O port	8	2P ϕ /2P ϕ
Port J data register	PJDR	8	H'FFBA6	I/O port	8	2P ϕ /2P ϕ
Port K data register	PKDR	8	H'FFBA7	I/O port	8	2P ϕ /2P ϕ
Port H data direction register	PHDDR	8	H'FFBA8	I/O port	8	2P ϕ /2P ϕ
Port I data direction register	PIDDR	8	H'FFBA9	I/O port	8	2P ϕ /2P ϕ
Port J data direction register	PJDDR	8	H'FFBAA	I/O port	8	2P ϕ /2P ϕ
Port K data direction register	PKDDR	8	H'FFBAB	I/O port	8	2P ϕ /2P ϕ
Port H input buffer control register	PHICR	8	H'FFBAC	I/O port	8	2P ϕ /2P ϕ
Port I input buffer control register	PIICR	8	H'FFBAD	I/O port	8	2P ϕ /2P ϕ
Port J input buffer control register	PJICR	8	H'FFBAE	I/O port	8	2P ϕ /2P ϕ
Port K input buffer control register	PKICR	8	H'FFBAF	I/O port	8	2P ϕ /2P ϕ
Port D pull-up MOS control register	PDPCR	8	H'FFBB4	I/O port	8	2P ϕ /2P ϕ
Port H pull-up MOS control register	PHPCR	8	H'FFBB8	I/O port	8	2P ϕ /2P ϕ
Port I pull-up MOS control register	PIPCR	8	H'FFBB9	I/O port	8	2P ϕ /2P ϕ
Port J pull-up MOS control register	PJPCR	8	H'FFBBA	I/O port	8	2P ϕ /2P ϕ
Port K pull-up MOS control register	PKPCR	8	H'FFBBB	I/O port	8	2P ϕ /2P ϕ
Port 2 open drain control register	P2ODR	8	H'FFBBC	I/O port	8	2P ϕ /2P ϕ
Port function control register 9	PFCR9	8	H'FFBC9	I/O port	8	2P ϕ /3P ϕ
Port function control register A	PFCRA	8	H'FFBCA	I/O port	8	2P ϕ /3P ϕ
Port function control register B	PFCRB	8	H'FFBCB	I/O port	8	2P ϕ /3P ϕ
Software standby release IRQ enable register	SSIER	16	H'FFBCE	INTC	8	2P ϕ /3P ϕ

Register Name	Abbr.	Number of Bits	Address*	Module	Data Width	Access Cycles (Read/Write)
DMA source address register_0	DSAR_0	32	H'FFC00	DMAC_0	16	2t ϕ /2t ϕ
DMA destination address register_0	DDAR_0	32	H'FFC04	DMAC_0	16	2t ϕ /2t ϕ
DMA offset register_0	DOFR_0	32	H'FFC08	DMAC_0	16	2t ϕ /2t ϕ
DMA transfer count register_0	DTCR_0	32	H'FFC0C	DMAC_0	16	2t ϕ /2t ϕ
DMA block size register_0	DBSR_0	32	H'FFC10	DMAC_0	16	2t ϕ /2t ϕ
DMA mode control register_0	DMDR_0	32	H'FFC14	DMAC_0	16	2t ϕ /2t ϕ
DMA address control register_0	DACR_0	32	H'FFC18	DMAC_0	16	2t ϕ /2t ϕ
DMA source address register_1	DSAR_1	32	H'FFC20	DMAC_1	16	2t ϕ /2t ϕ
DMA destination address register_1	DDAR_1	32	H'FFC24	DMAC_1	16	2t ϕ /2t ϕ
DMA offset register_1	DOFR_1	32	H'FFC28	DMAC_1	16	2t ϕ /2t ϕ
DMA transfer count register_1	DTCR_1	32	H'FFC2C	DMAC_1	16	2t ϕ /2t ϕ
DMA block size register_1	DBSR_1	32	H'FFC30	DMAC_1	16	2t ϕ /2t ϕ
DMA mode control register_1	DMDR_1	32	H'FFC34	DMAC_1	16	2t ϕ /2t ϕ
DMA address control register_1	DACR_1	32	H'FFC38	DMAC_1	16	2t ϕ /2t ϕ
DMA source address register_2	DSAR_2	32	H'FFC40	DMAC_2	16	2t ϕ /2t ϕ
DMA destination address register_2	DDAR_2	32	H'FFC44	DMAC_2	16	2t ϕ /2t ϕ
DMA offset register_2	DOFR_2	32	H'FFC48	DMAC_2	16	2t ϕ /2t ϕ
DMA transfer count register_2	DTCR_2	32	H'FFC4C	DMAC_2	16	2t ϕ /2t ϕ
DMA block size register_2	DBSR_2	32	H'FFC50	DMAC_2	16	2t ϕ /2t ϕ
DMA mode control register_2	DMDR_2	32	H'FFC54	DMAC_2	16	2t ϕ /2t ϕ
DMA address control register_2	DACR_2	32	H'FFC58	DMAC_2	16	2t ϕ /2t ϕ
DMA source address register_3	DSAR_3	32	H'FFC60	DMAC_3	16	2t ϕ /2t ϕ
DMA destination address register_3	DDAR_3	32	H'FFC64	DMAC_3	16	2t ϕ /2t ϕ
DMA offset register_3	DOFR_3	32	H'FFC68	DMAC_3	16	2t ϕ /2t ϕ
DMA transfer count register_3	DTCR_3	32	H'FFC6C	DMAC_3	16	2t ϕ /2t ϕ
DMA block size register_3	DBSR_3	32	H'FFC70	DMAC_3	16	2t ϕ /2t ϕ
DMA mode control register_3	DMDR_3	32	H'FFC74	DMAC_3	16	2t ϕ /2t ϕ
DMA address control register_3	DACR_3	32	H'FFC78	DMAC_3	16	2t ϕ /2t ϕ

Register Name	Abbr.	Number of Bits	Address*	Module	Data Width	Access Cycles (Read/Write)
DMA module request select register_0	DMRSR_0	8	H'FFD20	DMAC_0	16	2t ϕ /2l ϕ
DMA module request select register_1	DMRSR_1	8	H'FFD21	DMAC_1	16	2t ϕ /2l ϕ
DMA module request select register_2	DMRSR_2	8	H'FFD22	DMAC_2	16	2t ϕ /2l ϕ
DMA module request select register_3	DMRSR_3	8	H'FFD23	DMAC_3	16	2t ϕ /2l ϕ
Interrupt priority register A	IPRA	16	H'FFD40	INTC	16	2l ϕ /3l ϕ
Interrupt priority register B	IPRB	16	H'FFD42	INTC	16	2l ϕ /3l ϕ
Interrupt priority register C	IPRC	16	H'FFD44	INTC	16	2l ϕ /3l ϕ
Interrupt priority register D	IPRD	16	H'FFD46	INTC	16	2l ϕ /3l ϕ
Interrupt priority register E	IPRE	16	H'FFD48	INTC	16	2l ϕ /3l ϕ
Interrupt priority register F	IPRF	16	H'FFD4A	INTC	16	2l ϕ /3l ϕ
Interrupt priority register G	IPRG	16	H'FFD4C	INTC	16	2l ϕ /3l ϕ
Interrupt priority register I	IPRI	16	H'FFD50	INTC	16	2l ϕ /3l ϕ
Interrupt priority register K	IPRK	16	H'FFD54	INTC	16	2l ϕ /3l ϕ
Interrupt priority register L	IPRL	16	H'FFD56	INTC	16	2l ϕ /3l ϕ
Interrupt priority register M	IPRM	16	H'FFD58	INTC	16	2l ϕ /3l ϕ
Interrupt priority register N	IPRN	16	H'FFD5A	INTC	16	2l ϕ /3l ϕ
Interrupt priority register O	IPRO	16	H'FFD5C	INTC	16	2l ϕ /3l ϕ
Interrupt priority register Q	IPRQ	16	H'FFD60	INTC	16	2l ϕ /3l ϕ
Interrupt priority register R	IPRR	16	H'FFD62	INTC	16	2l ϕ /3l ϕ
IRQ sense control register H	ISCRH	16	H'FFD68	INTC	16	2l ϕ /3l ϕ
IRQ sense control register L	ISCR L	16	H'FFD6A	INTC	16	2l ϕ /3l ϕ
DTC vector base register	DTCVBR	32	H'FFD80	BSC	16	2l ϕ /3l ϕ
Bus control register 2	BCR2	8	H'FFD94	BSC	16	2l ϕ /3l ϕ
RAM emulation register	RAMER	8	H'FFD9E	BSC	16	2l ϕ /3l ϕ
Mode control register	MDCR	16	H'FFDC0	SYSTEM	16	2l ϕ /3l ϕ
System control register	SYSCR	16	H'FFDC2	SYSTEM	16	2l ϕ /3l ϕ
System clock control register	SCKCR	16	H'FFDC4	SYSTEM	16	2l ϕ /3l ϕ
Standby control register	SBYCR	16	H'FFDC6	SYSTEM	16	2l ϕ /3l ϕ

Register Name	Abbr.	Number of Bits	Address*	Module	Data Width	Access Cycles (Read/Write)
Module stop control register A	MSTPCRA	16	H'FFDC8	SYSTEM	16	21φ/31φ
Module stop control register B	MSTPCRB	16	H'FFDCA	SYSTEM	16	21φ/31φ
Module stop control register C	MSTPCRC	16	H'FFDCC	SYSTEM	16	21φ/31φ
Serial mode register_3	SMR_3	8	H'FFE88	SCI_3	8	2Pφ/2Pφ
Bit rate register_3	BRR_3	8	H'FFE89	SCI_3	8	2Pφ/2Pφ
Serial control register_3	SCR_3	8	H'FFE8A	SCI_3	8	2Pφ/2Pφ
Transmit data register_3	TDR_3	8	H'FFE8B	SCI_3	8	2Pφ/2Pφ
Serial status register_3	SSR_3	8	H'FFE8C	SCI_3	8	2Pφ/2Pφ
Receive data register_3	RDR_3	8	H'FFE8D	SCI_3	8	2Pφ/2Pφ
Smart card mode register_3	SCMR_3	8	H'FFE8E	SCI_3	8	2Pφ/2Pφ
Serial mode register_4	SMR_4	8	H'FFE90	SCI_4	8	2Pφ/2Pφ
Bit rate register_4	BRR_4	8	H'FFE91	SCI_4	8	2Pφ/2Pφ
Serial control register_4	SCR_4	8	H'FFE92	SCI_4	8	2Pφ/2Pφ
Transmit data register_4	TDR_4	8	H'FFE93	SCI_4	8	2Pφ/2Pφ
Serial status register_4	SSR_4	8	H'FFE94	SCI_4	8	2Pφ/2Pφ
Receive data register_4	RDR_4	8	H'FFE95	SCI_4	8	2Pφ/2Pφ
Smart card mode register_4	SCMR_4	8	H'FFE96	SCI_4	8	2Pφ/2Pφ
Flash code control/status register	FCCS	8	H'FFEA8	FLASH	8	2Pφ/2Pφ
Flash program code select register	FPCS	8	H'FFEA9	FLASH	8	2Pφ/2Pφ
Flash erase code select register	FECS	8	H'FFEAA	FLASH	8	2Pφ/2Pφ
Flash key code register	FKEY	8	H'FFEAC	FLASH	8	2Pφ/2Pφ
Flash MAT select register	FMATS	8	H'FFEAD	FLASH	8	2Pφ/2Pφ
Flash transfer destination address register	FTDAR	8	H'FFEAE	FLASH	8	2Pφ/2Pφ
Timer control register_4	TCR_4	8	H'FFEE0	TPU_4	16	2Pφ/2Pφ
Timer mode register_4	TMDR_4	8	H'FFEE1	TPU_4	16	2Pφ/2Pφ
Timer I/O control register_4	TIOR_4	8	H'FFEE2	TPU_4	16	2Pφ/2Pφ
Timer interrupt enable register_4	TIER_4	8	H'FFEE4	TPU_4	16	2Pφ/2Pφ
Timer status register_4	TSR_4	8	H'FFEE5	TPU_4	16	2Pφ/2Pφ
Timer counter_4	TCNT_4	16	H'FFEE6	TPU_4	16	2Pφ/2Pφ
Timer general register A_4	TGRA_4	16	H'FFEE8	TPU_4	16	2Pφ/2Pφ
Timer general register B_4	TGRB_4	16	H'FFEEA	TPU_4	16	2Pφ/2Pφ

Register Name	Abbr.	Number of Bits	Address*	Module	Data Width	Access Cycles (Read/Write)
Timer control register_5	TCR_5	8	H'FFEF0	TPU_5	16	2P ϕ /2P ϕ
Timer mode register_5	TMDR_5	8	H'FFEF1	TPU_5	16	2P ϕ /2P ϕ
Timer I/O control register_5	TIOR_5	8	H'FFEF2	TPU_5	16	2P ϕ /2P ϕ
Timer interrupt enable register_5	TIER_5	8	H'FFEF4	TPU_5	16	2P ϕ /2P ϕ
Timer status register_5	TSR_5	8	H'FFEF5	TPU_5	16	2P ϕ /2P ϕ
Timer counter_5	TCNT_5	16	H'FFEF6	TPU_5	16	2P ϕ /2P ϕ
Timer general register A_5	TGRA_5	16	H'FFEF8	TPU_5	16	2P ϕ /2P ϕ
Timer general register B_5	TGRB_5	16	H'FFEFA	TPU_5	16	2P ϕ /2P ϕ
DTC enable register A	DTCERA	16	H'FFF20	DTC	16	2I ϕ /3I ϕ
DTC enable register B	DTCERB	16	H'FFF22	DTC	16	2I ϕ /3I ϕ
DTC enable register C	DTCERC	16	H'FFF24	DTC	16	2I ϕ /3I ϕ
DTC enable register D	DTCERD	16	H'FFF26	DTC	16	2I ϕ /3I ϕ
DTC enable register E	DTCERE	16	H'FFF28	DTC	16	2I ϕ /3I ϕ
DTC enable register F	DTCERF	16	H'FFF2A	DTC	16	2I ϕ /3I ϕ
DTC enable register G	DTCERG	16	H'FFF2C	DTC	16	2I ϕ /3I ϕ
DTC enable register H	DTCERH	16	H'FFF2E	DTC	16	2I ϕ /3I ϕ
DTC control register	DTCCR	8	H'FFF30	DTC	16	2I ϕ /3I ϕ
Interrupt control register	INTCR	8	H'FFF32	INTC	16	2I ϕ /3I ϕ
CPU priority control register	CPUPCR	8	H'FFF33	INTC	16	2I ϕ /3I ϕ
IRQ enable register	IER	16	H'FFF34	INTC	16	2I ϕ /3I ϕ
IRQ status register	ISR	16	H'FFF36	INTC	16	2I ϕ /3I ϕ
Port 1 register	PORT1	8	H'FFF40	I/O port	8	2P ϕ /—
Port 2 register	PORT2	8	H'FFF41	I/O port	8	2P ϕ /—
Port 3 register	PORT3	8	H'FFF42	I/O port	8	2P ϕ /—
Port 4 register	PORT4	8	H'FFF43	I/O port	8	2P ϕ /—
Port 5 register	PORT5	8	H'FFF44	I/O port	8	2P ϕ /—
Port 6 register	PORT6	8	H'FFF45	I/O port	8	2P ϕ /—
Port A register	PORTA	8	H'FFF49	I/O port	8	2P ϕ /—
Port B register	PORTB	8	H'FFF4A	I/O port	8	2P ϕ /—
Port D register	PORTD	8	H'FFF4C	I/O port	8	2P ϕ /—

Register Name	Abbr.	Number of Bits	Address*	Module	Data Width	Access Cycles (Read/Write)
Port 1 data register	P1DR	8	H'FFF50	I/O port	8	2P ϕ /2P ϕ
Port 2 data register	P2DR	8	H'FFF51	I/O port	8	2P ϕ /2P ϕ
Port 3 data register	P3DR	8	H'FFF52	I/O port	8	2P ϕ /2P ϕ
Port 6 data register	P6DR	8	H'FFF55	I/O port	8	2P ϕ /2P ϕ
Port A data register	PADR	8	H'FFF59	I/O port	8	2P ϕ /2P ϕ
Port B data register	PBDR	8	H'FFF5A	I/O port	8	2P ϕ /2P ϕ
Port D data register	PDDR	8	H'FFF5C	I/O port	8	2P ϕ /2P ϕ
PPG output control register	PCR	8	H'FFF76	PPG	8	2P ϕ /2P ϕ
PPG output mode register	PMR	8	H'FFF77	PPG	8	2P ϕ /2P ϕ
Next data enable register H	NDERH	8	H'FFF78	PPG	8	2P ϕ /2P ϕ
Next data enable register L	NDERL	8	H'FFF79	PPG	8	2P ϕ /2P ϕ
Output data register H	PODRH	8	H'FFF7A	PPG	8	2P ϕ /2P ϕ
Output data register L	PODRL	8	H'FFF7B	PPG	8	2P ϕ /2P ϕ
Next data register H	NDRH	8	H'FFF7C	PPG	8	2P ϕ /2P ϕ
Next data register L	NDRL	8	H'FFF7D	PPG	8	2P ϕ /2P ϕ
Next data register H	NDRH	8	H'FFF7E	PPG	8	2P ϕ /2P ϕ
Next data register L	NDRL	8	H'FFF7F	PPG	8	2P ϕ /2P ϕ
A/D data register A_0	ADDRA_0	16	H'FFF90	A/D_0	16	2P ϕ /2P ϕ
A/D data register B_0	ADDRB_0	16	H'FFF92	A/D_0	16	2P ϕ /2P ϕ
A/D data register C_0	ADDRC_0	16	H'FFF94	A/D_0	16	2P ϕ /2P ϕ
A/D data register D_0	ADDRD_0	16	H'FFF96	A/D_0	16	2P ϕ /2P ϕ
A/D data register E_0	ADDRE_0	16	H'FFF98	A/D_0	16	2P ϕ /2P ϕ
A/D data register F_0	ADDRF_0	16	H'FFF9A	A/D_0	16	2P ϕ /2P ϕ
A/D data register G_0	ADDRG_0	16	H'FFF9C	A/D_0	16	2P ϕ /2P ϕ
A/D data register H_0	ADDRH_0	16	H'FFF9E	A/D_0	16	2P ϕ /2P ϕ
A/D control/status register_0	ADCSR_0	8	H'FFFA0	A/D_0	16	2P ϕ /2P ϕ
A/D control register_0	ADCR_0	8	H'FFFA1	A/D_0	16	2P ϕ /2P ϕ

Register Name	Abbr.	Number of Bits	Address*	Module	Data Width	Access Cycles (Read/Write)
Timer control/status register	TCSR	8	H'FFFA4	WDT		2Pφ/3Pφ
Timer counter	TCNT	8	H'FFFA5	WDT		2Pφ/3Pφ
Reset control/status register	RSTCSR	8	H'FFFA7	WDT		2Pφ/3Pφ
Timer start register	TSTR	8	H'FFFBC	TPU	16	2Pφ/2Pφ
Timer synchronous register	TSYR	8	H'FFFBD	TPU	16	2Pφ/2Pφ
Timer control register_0	TCR_0	8	H'FFFC0	TPU_0	16	2Pφ/2Pφ
Timer mode register_0	TMDR_0	8	H'FFFC1	TPU_0	16	2Pφ/2Pφ
Timer I/O control register H_0	TIORH_0	8	H'FFFC2	TPU_0	16	2Pφ/2Pφ
Timer I/O control register L_0	TIORL_0	8	H'FFFC3	TPU_0	16	2Pφ/2Pφ
Timer interrupt enable register_0	TIER_0	8	H'FFFC4	TPU_0	16	2Pφ/2Pφ
Timer status register_0	TSR_0	8	H'FFFC5	TPU_0	16	2Pφ/2Pφ
Timer counter_0	TCNT_0	16	H'FFFC6	TPU_0	16	2Pφ/2Pφ
Timer general register A_0	TGRA_0	16	H'FFFC8	TPU_0	16	2Pφ/2Pφ
Timer general register B_0	TGRB_0	16	H'FFFC9	TPU_0	16	2Pφ/2Pφ
Timer general register C_0	TGRC_0	16	H'FFFC0	TPU_0	16	2Pφ/2Pφ
Timer general register D_0	TGRD_0	16	H'FFFC0	TPU_0	16	2Pφ/2Pφ
Timer control register_1	TCR_1	8	H'FFFD0	TPU_1	16	2Pφ/2Pφ
Timer mode register_1	TMDR_1	8	H'FFFD1	TPU_1	16	2Pφ/2Pφ
Timer I/control register_1	TIOR_1	8	H'FFFD2	TPU_1	16	2Pφ/2Pφ
Timer interrupt enable register_1	TIER_1	8	H'FFFD4	TPU_1	16	2Pφ/2Pφ
Timer status register_1	TSR_1	8	H'FFFD5	TPU_1	16	2Pφ/2Pφ
Timer counter_1	TCNT_1	16	H'FFFD6	TPU_1	16	2Pφ/2Pφ
Timer general register A_1	TGRA_1	16	H'FFFD8	TPU_1	16	2Pφ/2Pφ
Timer general register B_1	TGRB_1	16	H'FFFDA	TPU_1	16	2Pφ/2Pφ
Timer control register_2	TCR_2	8	H'FFFE0	TPU_2	16	2Pφ/2Pφ
Timer mode register_2	TMDR_2	8	H'FFFE1	TPU_2	16	2Pφ/2Pφ
Timer I/O control register_2	TIOR_2	8	H'FFFE2	TPU_2	16	2Pφ/2Pφ
Timer interrupt enable register_2	TIER_2	8	H'FFFE4	TPU_2	16	2Pφ/2Pφ
Timer status register_2	TSR_2	8	H'FFFE5	TPU_2	16	2Pφ/2Pφ
Timer counter_2	TCNT_2	16	H'FFFE6	TPU_2	16	2Pφ/2Pφ
Timer general register A_2	TGRA_2	16	H'FFFE8	TPU_2	16	2Pφ/2Pφ
Timer general register B_2	TGRB_2	16	H'FFFEA	TPU_2	16	2Pφ/2Pφ

Register Name	Abbr.	Number of Bits	Address*	Module	Data Width	Access Cycles (Read/Write)
Timer control register_3	TCR_3	8	H'FFFF0	TPU_3	16	2P ϕ /2P ϕ
Timer mode register_3	TMDR_3	8	H'FFFF1	TPU_3	16	2P ϕ /2P ϕ
Timer I/O control register H_3	TIORH_3	8	H'FFFF2	TPU_3	16	2P ϕ /2P ϕ
Timer I/O control register L_3	TIORL_3	8	H'FFFF3	TPU_3	16	2P ϕ /2P ϕ
Timer interrupt enable register_3	TIER_3	8	H'FFFF4	TPU_3	16	2P ϕ /2P ϕ
Timer status register_3	TSR_3	8	H'FFFF5	TPU_3	16	2P ϕ /2P ϕ
Timer counter_3	TCNT_3	16	H'FFFF6	TPU_3	16	2P ϕ /2P ϕ
Timer general register A_3	TGRA_3	16	H'FFFF8	TPU_3	16	2P ϕ /2P ϕ
Timer general register B_3	TGRB_3	16	H'FFFFA	TPU_3	16	2P ϕ /2P ϕ
Timer general register C_3	TGRC_3	16	H'FFFFC	TPU_3	16	2P ϕ /2P ϕ
Timer general register D_3	TGRD_3	16	H'FFFFE	TPU_3	16	2P ϕ /2P ϕ

Note: * The lower 20 bits are indicated.

20.2 Register Bits

Register addresses and bit names of the on-chip peripheral modules are described below.

Each line covers eight bits, and 16-bit and 32-bit registers are shown as 2 or 4 lines, respectively.

Register Abbreviation	Bit 31/23/15/7	Bit 30/22/14/6	Bit 29/21/13/5	Bit 28/20/12/4	Bit 27/19/11/3	Bit 26/18/10/2	Bit 25/17/9/1	Bit 24/16/8/0	Module
SSCRH_0	MSS	BIDE	—	SOL	SOLP	SCKS	CSS1	CSS0	SSU_0
SSCRL_0	—	SSUMS	SRES	—	—	—	DATS1	DATS0	
SSMR_0	MLS	CPOS	CPHS	—	—	CKS2	CKS1	CKS0	
SSER_0	TE	RE	—	—	TEIE	TIE	RIE	CEIE	
SSSR_0	—	ORER	—	—	TEND	TDRE	RDRF	CE	
SSCR2_0	SDOS	SSCKOS	SCSOS	TENDSTS	SCSATS	SSODTS	—	—	
SSTDR0_0									
SSTDR1_0									
SSTDR2_0									
SSTDR3_0									
SSRDR0_0									
SSRDR1_0									
SSRDR2_0									
SSRDR3_0									
SSCRH_1	MSS	BIDE	—	SOL	SOLP	SCKS	CSS1	CSS0	SSU_1
SSCRL_1	—	SSUMS	SRES	—	—	—	DATS1	DATS0	
SSMR_1	MLS	CPOS	CPHS	—	—	CKS2	CKS1	CKS0	
SSER_1	TE	RE	—	—	TEIE	TIE	RIE	CEIE	
SSSR_1	—	ORER	—	—	TEND	TDRE	RDRF	CE	
SSCR2_1	SDOS	SSCKOS	SCSOS	TENDSTS	SCSATS	SSODTS	—	—	
SSTDR0_1									
SSTDR1_1									
SSTDR2_1									
SSTDR3_1									
SSRDR0_1									
SSRDR1_1									
SSRDR2_1									
SSRDR3_1									

Register Abbreviation	Bit 31/23/15/7	Bit 30/22/14/6	Bit 29/21/13/5	Bit 28/20/12/4	Bit 27/19/11/3	Bit 26/18/10/2	Bit 25/17/9/1	Bit 24/16/8/0	Module
SSCRH_2	MSS	BIDE	—	SOL	SOLP	SCKS	CSS1	CSS0	SSU_2
SSCRL_2	—	SSUMS	SRES	—	—	—	DATS1	DATS0	
SSMR_2	MLS	CPOS	CPHS	—	—	CKS2	CKS1	CKS0	
SSER_2	TE	RE	—	—	TEIE	TIE	RIE	CEIE	
SSSR_2	—	ORER	—	—	TEND	TDRE	RDRF	CE	
SSCR2_2	SDOS	SSCKOS	SCSOS	TENDSTS	SCSATS	SSODTS	—	—	
SSTDR0_2									
SSTDR1_2									
SSTDR2_2									
SSTDR3_2									
SSRDR0_2									
SSRDR1_2									
SSRDR2_2									
SSRDR3_2									
PHRTIDR	PHRTIDR7	PHRTIDR6	PHRTIDR5	PHRTIDR4	PHRTIDR3	PHRTIDR2	PHRTIDR1	PHRTIDR0	I/O port
APPDCR	AN15PD	AN14PD	AN13PD	AN12PD	AN11PD	AN10PD	AN9PD	AN8PD	A/D
	AN7PD	AN6PD	AN5PD	AN4PD	AN3PD	AN2PD	AN1PD	AN0PD	
ADDRA_1									A/D_1
			—	—	—	—	—	—	
ADDRB_1									
			—	—	—	—	—	—	
ADDRC_1									
			—	—	—	—	—	—	
ADDRD_1									
			—	—	—	—	—	—	
ADDRE_1									
			—	—	—	—	—	—	
ADDRF_1									
			—	—	—	—	—	—	
ADDRG_1									
			—	—	—	—	—	—	
ADDRH_1									
			—	—	—	—	—	—	
ADCSR_1	ADF	ADIE	ADST	—	CH3	CH2	CH1	CH0	
ADCR_1	TRGS1	TRGS0	SCANE	SCANS	CKS1	CKS0	—	—	

Register Abbreviation	Bit 31/23/15/7	Bit 30/22/14/6	Bit 29/21/13/5	Bit 28/20/12/4	Bit 27/19/11/3	Bit 26/18/10/2	Bit 25/17/9/1	Bit 24/16/8/0	Module
TSTRB	—	—	CST5	CST4	CST3	CST2	CST1	CST0	TPU
TSYRB	—	—	SYNC5	SYNC4	SYNC3	SYNC2	SYNC1	SYNC0	
TCR_6	CCLR2	CCLR1	CCLR0	CKEG1	CKEG0	TPSC2	TPSC1	TPSC0	TPU_6
TMDR_6	—	—	BFB	BFA	MD3	MD2	MD1	MD0	
TIORH_6	IOB3	IOB2	IOB1	IOB0	IOA3	IOA2	IOA1	IOA0	
TIORL_6	IOD3	IOD2	IOD1	IOD0	IOC3	IOC2	IOC1	IOC0	
TIER_6	—	—	TCIEU	TCIEV	TGIED	TGIEC	TGIEB	TGIEA	
TSR_6	—	—	—	TCFV	TGFD	TGFC	TGFB	TGFA	
TCNT_6	_____								
TGRA_6	_____								
TGRB_6	_____								
TGRC_6	_____								
TGRD_6	_____								
TCR_7	—	CCLR1	CCLR0	CKEG1	CKEG0	TPSC2	TPSC1	TPSC0	TPU_7
TMDR_7	—	—	—	—	—	MD2	MD1	MD0	
TIOR_7	IOB3	IOB2	IOB1	IOB0	IOA3	IOA2	IOA1	IOA0	
TIER_7	—	—	TCIEU	TCIEV	—	—	TGIEB	TGIEA	
TSR_7	TCFD	—	TCFU	TCFV	—	—	TGFB	TGFA	
TCNT_7	_____								
TGRA_7	_____								
TGRB_7	_____								

Register Abbreviation	Bit 31/23/15/7	Bit 30/22/14/6	Bit 29/21/13/5	Bit 28/20/12/4	Bit 27/19/11/3	Bit 26/18/10/2	Bit 25/17/9/1	Bit 24/16/8/0	Module
TCR_8	—	CCLR1	CCLR0	CKEG1	CKEG0	TPSC2	TPSC1	TPSC0	TPU_8
TMDR_8	—	—	—	—	—	MD2	MD1	MD0	
TIOR_8	IOB3	IOB2	IOB1	IOB0	IOA3	IOA2	IOA1	IOA0	
TIER_8	—	—	TCIEU	TCIEV	—	—	TGIEB	TGIEA	
TSR_8	TCFD	—	TCFU	TCFV	—	—	TGFB	TGFA	
TCNT_8	_____								
TGRA_8	_____								
TGRB_8	_____								
TCR_9	CCLR2	CCLR1	CCLR0	CKEG1	CKEG0	TPSC2	TPSC1	TPSC0	TPU_9
TMDR_9	—	—	BFB	BFA	—	MD2	MD1	MD0	
TIORH_9	IOB3	IOB2	IOB1	IOB0	IOA3	IOA2	IOA1	IOA0	
TIORL_9	IOD3	IOD2	IOD1	IOD0	IOC3	IOC2	IOC1	IOC0	
TIER_9	—	—	—	TCIEV	TGIED	TGIEC	TGIEB	TGIEA	
TSR_9	—	—	—	TCFV	TGFD	TGFC	TGFB	TGFA	
TCNT_9	_____								
TGRA_9	_____								
TGRB_9	_____								
TGRC_9	_____								
TGRD_9	_____								
TCR_10	—	CCLR1	CCLR0	CKEG1	CKEG0	TPSC2	TPSC1	TPSC0	TPU_10
TMDR_10	—	—	—	—	—	MD2	MD1	MD0	
TIOR_10	IOB3	IOB2	IOB1	IOB0	IOA3	IOA2	IOA1	IOA0	
TIER_10	—	—	TCIEU	TCIEV	—	—	TGIEB	TGIEA	
TSR_10	TCFD	—	TCFU	TCFV	—	—	TGFB	TGFA	

Register Abbreviation	Bit 31/23/15/7	Bit 30/22/14/6	Bit 29/21/13/5	Bit 28/20/12/4	Bit 27/19/11/3	Bit 26/18/10/2	Bit 25/17/9/1	Bit 24/16/8/0	Module
TCNT_10									TPU_10
TGRA_10									
TGRB_10									
TCR_11	—	CCLR1	CCLR0	CKEG1	CKEG0	TPSC2	TPSC1	TPSC0	TPU_11
TMDR_11	—	—	—	—	—	MD2	MD1	MD0	
TIOR_11	IOB3	IOB2	IOB1	IOB0	IOA3	IOA2	IOA1	IOA0	
TIER_11	—	—	TCIEU	TCIEV	—	—	TGIEB	TGIEA	
TSR_11	TCFD	—	TCFU	TCFV	—	—	TGFB	TGFA	
TCNT_11									
TGRA_11									
TGRB_11									
P1DDR	P17DDR	P16DDR	P15DDR	P14DDR	P13DDR	P12DDR	P11DDR	P10DDR	I/O port
P2DDR	P27DDR	P26DDR	P25DDR	P24DDR	P23DDR	P22DDR	P21DDR	P20DDR	
P3DDR	P37DDR	P36DDR	P35DDR	P34DDR	P33DDR	P32DDR	P31DDR	P30DDR	
P6DDR	—	P66DDR	P65DDR	P64DDR	P63DDR	P62DDR	P61DDR	P60DDR	
PADDR	PA7DDR	PA6DDR	PA5DDR	PA4DDR	PA3DDR	PA2DDR	PA1DDR	PA0DDR	
PBDDR	—	—	—	—	—	PB2DDR	PB1DDR	PB0DDR	
PDDDR	PD7DDR	PD6DDR	PD5DDR	PD4DDR	PD3DDR	PD2DDR	PD1DDR	PD0DDR	
P1ICR	P17ICR	P16ICR	P15ICR	P14ICR	P13ICR	P12ICR	P11ICR	P10ICR	
P2ICR	P27ICR	P26ICR	P25ICR	P24ICR	P23ICR	P22ICR	P21ICR	P20ICR	
P3ICR	P37ICR	P36ICR	P35ICR	P34ICR	P33ICR	P32ICR	P31ICR	P30ICR	
P4ICR	P47ICR	P46ICR	P45ICR	P44ICR	P43ICR	P42ICR	P41ICR	P40ICR	
P5ICR	P57ICR	P56ICR	P55ICR	P54ICR	P53ICR	P52ICR	P51ICR	P50ICR	
P6ICR	P67ICR	P66ICR	P65ICR	P64ICR	P63ICR	P62ICR	P61ICR	P60ICR	

Register Abbreviation	Bit 31/23/15/7	Bit 30/22/14/6	Bit 29/21/13/5	Bit 28/20/12/4	Bit 27/19/11/3	Bit 26/18/10/2	Bit 25/17/9/1	Bit 24/16/8/0	Module
PAICR	PA7ICR	PA6ICR	PA5ICR	PA4ICR	PA3ICR	PA2ICR	PA1ICR	PA0ICR	I/O port
PBICR	—	—	—	—	—	PB2ICR	PB1ICR	PB0ICR	
PDICR	PD7ICR	PD6ICR	PD5ICR	PD4ICR	PD3ICR	PD2ICR	PD1ICR	PD0ICR	
PORTH	PH7	PH6	PH5	PH4	PH3	PH2	PH1	PH0	
PORTI	PI7	PI6	PI5	PI4	PI3	PI2	PI1	PI0	
PORTJ	PJ7	PJ6	PJ5	PJ4	PJ3	PJ2	PJ1	PJ0	
PORTK	PK7	PK6	PK5	PK4	PK3	PK2	PK1	PK0	
PHDR	PH7DR	PH6DR	PH5DR	PH4DR	PH3DR	PH2DR	PH1DR	PH0DR	
PIDR	PI7DR	PI6DR	PI5DR	PI4DR	PI3DR	PI2DR	PI1DR	PI0DR	
PJDR	PJ7DR	PJ6DR	PJ5DR	PJ4DR	PJ3DR	PJ2DR	PJ1DR	PJ0DR	
PKDR	PK7DR	PK6DR	PK5DR	PK4DR	PK3DR	PK2DR	PK1DR	PK0DR	
PHDDR	PH7DDR	PH6DDR	PH5DDR	PH4DDR	PH3DDR	PH2DDR	PH1DDR	PH0DDR	
PIDDR	PI7DDR	PI6DDR	PI5DDR	PI4DDR	PI3DDR	PI2DDR	PI1DDR	PI0DDR	
PJDDR	PJ7DDR	PJ6DDR	PJ5DDR	PJ4DDR	PJ3DDR	PJ2DDR	PJ1DDR	PJ0DDR	
PKDDR	PK7DDR	PK6DDR	PK5DDR	PK4DDR	PK3DDR	PK2DDR	PK1DDR	PK0DDR	
PHICR	PH7ICR	PH6ICR	PH5ICR	PH4ICR	PH3ICR	PH2ICR	PH1ICR	PH0ICR	
PIICR	PI7ICR	PI6ICR	PI5ICR	PI4ICR	PI3ICR	PI2ICR	PI1ICR	PI0ICR	
PJICR	PJ7ICR	PJ6ICR	PJ5ICR	PJ4ICR	PJ3ICR	PJ2ICR	PJ1ICR	PJ0ICR	
PKICR	PK7ICR	PK6ICR	PK5ICR	PK4ICR	PK3ICR	PK2ICR	PK1ICR	PK0ICR	
PDPCR	PD7PCR	PD6PCR	PD5PCR	PD4PCR	PD3PCR	PD2PCR	PD1PCR	PD0PCR	
PHPCR	PH7PCR	PH6PCR	PH5PCR	PH4PCR	PH3PCR	PH2PCR	PH1PCR	PH0PCR	
PIPCR	PI7PCR	PI6PCR	PI5PCR	PI4PCR	PI3PCR	PI2PCR	PI1PCR	PI0PCR	
PJPCR	PJ7PCR	PJ6PCR	PJ5PCR	PJ4PCR	PJ3PCR	PJ2PCR	PJ1PCR	PJ0PCR	
PKPCR	PK7PCR	PK6PCR	PK5PCR	PK4PCR	PK3PCR	PK2PCR	PK1PCR	PK0PCR	
P2ODR	P27ODR	P26ODR	P25ODR	P24ODR	P23ODR	P22ODR	P21ODR	P20ODR	
PFCR9	TPUMS5	TPUMS4	TPUMS3A	TPUMS3B	TPUMS2	TPUMS1	TPUMS0A	TPUMS0B	
PFCRA	TPUMS11	TPUMS10	TPUMS9A	TPUMS9B	TPUMS8	TPUMS7	TPUMS6A	TPUMS6B	
PFCRB	ITS15	ITS14	ITS13	ITS12	ITS11	ITS10	ITS9	ITS8	
SSIER	SSI15	SSI14	SSI13	SSI12	SSI11	SSI10	SSI9	SSI8	INTC
	SSI7	SSI6	SSI5	SSI4	SSI3	SSI2	SSI1	SSI0	

Register Abbreviation	Bit 31/23/15/7	Bit 30/22/14/6	Bit 29/21/13/5	Bit 28/20/12/4	Bit 27/19/11/3	Bit 26/18/10/2	Bit 25/17/9/1	Bit 24/16/8/0	Module
DSAR_0									DMAC_0
DDAR_0									
DOFR_0									
DTCR_0									
DBSR_0	BKSZH31	BKSZH30	BKSZH29	BKSZH28	BKSZH27	BKSZH26	BKSZH25	BKSZH24	
	BKSZH23	BKSZH22	BKSZH21	BKSZH20	BKSZH19	BKSZH18	BKSZH17	BKSZH16	
	BKSZ15	BKSZ14	BKSZ13	BKSZ12	BKSZ11	BKSZ10	BKSZ9	BKSZ8	
	BKSZ7	BKSZ6	BKSZ5	BKSZ4	BKSZ3	BKSZ2	BKSZ1	BKSZ0	
DMDR_0	DTE	DACKE	TENDE	—	DREQS	NRD	—	—	
	ACT	—	—	—	ERRF	—	ESIF	DTIF	
	DTSZ1	DTSZ0	MDS1	MDS0	TSEIE	—	ESIE	DTIE	
	DTF1	DTF0	DTA	—	—	DMAP2	DMAP1	DMAP0	
DACR_0	AMS	DIRS	—	—	—	RPTIE	ARS1	ARS0	
	—	—	SAT1	SAT0	—	—	DAT1	DAT0	
	SARIE	—	—	SARA4	SARA3	SARA2	SARA1	SARA0	
	DARIE	—	—	DARA4	DARA3	DARA2	DARA1	DARA0	

Register Abbreviation	Bit 31/23/15/7	Bit 30/22/14/6	Bit 29/21/13/5	Bit 28/20/12/4	Bit 27/19/11/3	Bit 26/18/10/2	Bit 25/17/9/1	Bit 24/16/8/0	Module
DSAR_1									DMAC_1
DDAR_1									
DOFR_1									
DTCR_1									
DBSR_1	BKSZH31	BKSZH30	BKSZH29	BKSZH28	BKSZH27	BKSZH26	BKSZH25	BKSZH24	
	BKSZH23	BKSZH22	BKSZH21	BKSZH20	BKSZH19	BKSZH18	BKSZH17	BKSZH16	
	BKSZ15	BKSZ14	BKSZ13	BKSZ12	BKSZ11	BKSZ10	BKSZ9	BKSZ8	
	BKSZ7	BKSZ6	BKSZ5	BKSZ4	BKSZ3	BKSZ2	BKSZ1	BKSZ0	
DMDR_1	DTE	DACKE	TENDE	—	DREQS	NRD	—	—	
	ACT	—	—	—	—	—	ESIF	DTIF	
	DTSZ1	DTSZ0	MDS1	MDS0	TSEIE	—	ESIE	DTIE	
	DTF1	DTF0	DTA	—	—	DMAP2	DMAP1	DMAP0	
DACR_1	AMS	DIRS	—	—	—	RPTIE	ARS1	ARS0	
	—	—	SAT1	SAT0	—	—	DAT1	DAT0	
	SARIE	—	—	SARA4	SARA3	SARA2	SARA1	SARA0	
	DARIE	—	—	DARA4	DARA3	DARA2	DARA1	DARA0	

Register Abbreviation	Bit 31/23/15/7	Bit 30/22/14/6	Bit 29/21/13/5	Bit 28/20/12/4	Bit 27/19/11/3	Bit 26/18/10/2	Bit 25/17/9/1	Bit 24/16/8/0	Module
DSAR_2									DMAC_2
DDAR_2									
DOFR_2									
DTCR_2									
DBSR_2	BKSZH31	BKSZH30	BKSZH29	BKSZH28	BKSZH27	BKSZH26	BKSZH25	BKSZH24	
	BKSZH23	BKSZH22	BKSZH21	BKSZH20	BKSZH19	BKSZH18	BKSZH17	BKSZH16	
	BKSZ15	BKSZ14	BKSZ13	BKSZ12	BKSZ11	BKSZ10	BKSZ9	BKSZ8	
	BKSZ7	BKSZ6	BKSZ5	BKSZ4	BKSZ3	BKSZ2	BKSZ1	BKSZ0	
DMDR_2	DTE	DACKE	TENDE	—	DREQS	NRD	—	—	
	ACT	—	—	—	—	—	ESIF	DTIF	
	DTSZ1	DTSZ0	MDS1	MDS0	TSEIE	—	ESIE	DTIE	
	DTF1	DTF0	DTA	—	—	DMAP2	DMAP1	DMAP0	
DACR_2	AMS	DIRS	—	—	—	RPTIE	ARS1	ARS0	
	—	—	SAT1	SAT0	—	—	DAT1	DAT0	
	SARIE	—	—	SARA4	SARA3	SARA2	SARA1	SARA0	
	DARIE	—	—	DARA4	DARA3	DARA2	DARA1	DARA0	

Register Abbreviation	Bit 31/23/15/7	Bit 30/22/14/6	Bit 29/21/13/5	Bit 28/20/12/4	Bit 27/19/11/3	Bit 26/18/10/2	Bit 25/17/9/1	Bit 24/16/8/0	Module
DSAR_3									DMAC_3
DDAR_3									
DOFR_3									
DTCR_3									
DBSR_3	BKSZH31	BKSZH30	BKSZH29	BKSZH28	BKSZH27	BKSZH26	BKSZH25	BKSZH24	
	BKSZH23	BKSZH22	BKSZH21	BKSZH20	BKSZH19	BKSZH18	BKSZH17	BKSZH16	
	BKSZ15	BKSZ14	BKSZ13	BKSZ12	BKSZ11	BKSZ10	BKSZ9	BKSZ8	
	BKSZ7	BKSZ6	BKSZ5	BKSZ4	BKSZ3	BKSZ2	BKSZ1	BKSZ0	
DMDR_3	DTE	DACKE	TENDE	—	DREQS	NRD	—	—	
	ACT	—	—	—	—	—	ESIF	DTIF	
	DTSZ1	DTSZ0	MDS1	MDS0	TSEIE	—	ESIE	DTIE	
	DTF1	DTF0	DTA	—	—	DMAP2	DMAP1	DMAP0	
DACR_3	AMS	DIRS	—	—	—	RPTIE	ARS1	ARS0	
	—	—	SAT1	SAT0	—	—	DAT1	DAT0	
	SARIE	—	—	SARA4	SARA3	SARA2	SARA1	SARA0	
	DARIE	—	—	DARA4	DARA3	DARA2	DARA1	DARA0	
DMRSR_0								DMAC_0	
DMRSR_1								DMAC_1	
DMRSR_2								DMAC_2	
DMRSR_3								DMAC_3	

Register Abbreviation	Bit 31/23/15/7	Bit 30/22/14/6	Bit 29/21/13/5	Bit 28/20/12/4	Bit 27/19/11/3	Bit 26/18/10/2	Bit 25/17/9/1	Bit 24/16/8/0	Module
IPRA	—	IPRA14	IPRA13	IPRA12	—	IPRA10	IPRA9	IPRA8	INTC
	—	IPRA6	IPRA5	IPRA4	—	IPRA2	IPRA1	IPRA0	
IPRB	—	IPRB14	IPRB13	IPRB12	—	IPRB10	IPRB9	IPRB8	
	—	IPRB6	IPRB5	IPRB4	—	IPRB2	IPRB1	IPRB0	
IPRC	—	IPRC14	IPRC13	IPRC12	—	IPRC10	IPRC9	IPRC8	
	—	IPRC6	IPRC5	IPRC4	—	IPRC2	IPRC1	IPRC0	
IPRD	—	IPRD14	IPRD13	IPRD12	—	IPRD10	IPRD9	IPRD8	
	—	IPRD6	IPRD5	IPRD4	—	—	—	—	
IPRE	—	—	—	—	—	IPRE10	IPRE9	IPRE8	
	—	—	—	—	—	—	—	—	
IPRF	—	—	—	—	—	IPRF10	IPRF9	IPRF8	
	—	IPRF6	IPRF5	IPRF4	—	IPRF2	IPRF1	IPRF0	
IPRG	—	IPRG14	IPRG13	IPRG12	—	IPRG10	IPRG9	IPRG8	
	—	IPRG6	IPRG5	IPRG4	—	IPRG2	IPRG1	IPRG0	
IPRI	—	IPRI14	IPRI13	IPRI12	—	IPRI10	IPRI9	IPRI8	
	—	IPRI6	IPRI5	IPRI4	—	IPRI2	IPRI1	IPRI0	
IPRK	—	IPRK14	IPRK13	IPRK12	—	—	—	—	
	—	—	—	—	—	—	—	—	
IPRL	—	—	—	—	—	IPRL10	IPRL9	IPRL8	
	—	IPRL6	IPRL5	IPRL4	—	IPRL2	IPRL1	IPRL0	
IPRM	—	IPRM14	IPRM13	IPRM12	—	IPRM10	IPRM9	IPRM8	
	—	IPRM6	IPRM5	IPRM4	—	IPRM2	IPRM1	IPRM0	
IPRN	—	IPRN14	IPRN13	IPRN12	—	IPRN10	IPRN9	IPRN8	
	—	IPRN6	IPRN5	IPRN4	—	IPRN2	IPRN1	IPRN0	
IPRO	—	IPRO14	IPRO13	IPRO12	—	IPRO10	IPRO9	IPRO8	
	—	IPRO6	IPRO5	IPRO4	—	—	—	—	
IPRQ	—	—	—	—	—	—	—	—	
	—	—	—	—	—	IPRQ2	IPRQ1	IPRQ0	
IPRR	—	IPRR14	IPRR13	IPRR12	—	IPRR10	IPRR9	IPRR8	
	—	IPRR6	IPRR5	IPRR4	—	IPRR2	IPRR1	IPRR0	

Register Abbreviation	Bit 31/23/15/7	Bit 30/22/14/6	Bit 29/21/13/5	Bit 28/20/12/4	Bit 27/19/11/3	Bit 26/18/10/2	Bit 25/17/9/1	Bit 24/16/8/0	Module
ISCRH	IRQ15SR	IRQ15SF	IRQ14SR	IRQ14SF	IRQ13SR	IRQ13SF	IRQ12SR	IRQ12SF	INTC
	IRQ11SR	IRQ11SF	IRQ10SR	IRQ10SF	IRQ9SR	IRQ9SF	IRQ8SR	IRQ8SF	
ISURL	IRQ7SR	IRQ7SF	IRQ6SR	IRQ6SF	IRQ5SR	IRQ5SF	IRQ4SR	IRQ4SF	
	IRQ3SR	IRQ3SF	IRQ2SR	IRQ2SF	IRQ1SR	IRQ1SF	IRQ0SR	IRQ0SF	
DTCVBR									BSC
BCR2	—	—	—	IBCCS	—	—	—	PWDBE	
RAMER	—	—	—	—	RAMS	RAM2	RAM1	RAM0	
MDCR	—	—	—	—	MDS3	MDS2	MDS1	MDS0	SYSTEM
	—	—	—	—	—	—	—	—	
SYSCR	—	—	MACS	—	—	—	—	RAME	
	FLSHE	—	—	—	—	—	DTCMD	—	
SCKCR	PSTOP1	—	POSEL1	—	—	ICK2	ICK1	ICK0	
	—	PCK2	PCK1	PCK0	—	BCK2	BCK1	BCK0	
SBYCR	SSBY	—	—	STS4	STS3	STS2	STS1	STS0	
	—	—	—	—	—	—	—	—	
MSTPCRA	ACSE	MSTPA14	MSTPA13	MSTPA12	MSTPA11	MSTPA10	MSTPA9	MSTPA8	
	MSTPA7	MSTPA6	MSTPA5	MSTPA4	MSTPA3	MSTPA2	MSTPA1	MSTPA0	
MSTPCRB	MSTPB15	MSTPB14	MSTPB13	MSTPB12	MSTPB11	MSTPB10	MSTPB9	MSTPB8	
	MSTPB7	MSTPB6	MSTPB5	MSTPB4	MSTPB3	MSTPB2	MSTPB1	MSTPB0	
MSTPCRC	MSTPC15	MSTPC14	MSTPC13	MSTPC12	MSTPC11	MSTPC10	MSTPC9	MSTPC8	
	MSTPC7	MSTPC6	MSTPC5	MSTPC4	MSTPC3	MSTPC2	MSTPC1	MSTPC0	
SMR_3*	C/ \bar{A} (GM)	CHR (BLK)	PE	O/ \bar{E}	STOP (BCP1)	MP (BCP0)	CKS1	CKS0	SCI_3
BRR_3									
SCR_3*	TIE	RIE	TE	RE	MPIE	TEIE	CKE1	CKE0	
TDR_3									
SSR_3*	TDRE	RDRF	ORER	FER (ERS)	PER	TEND	MPB	MPBT	
RDR_3									
SCMR_3	—	—	—	—	SDIR	SINV	—	SMIF	

Register Abbreviation	Bit 31/23/15/7	Bit 30/22/14/6	Bit 29/21/13/5	Bit 28/20/12/4	Bit 27/19/11/3	Bit 26/18/10/2	Bit 25/17/9/1	Bit 24/16/8/0	Module
SMR_4*	C/ \bar{A} (GM)	CHR (BLK)	PE	O/ \bar{E}	STOP (BCP1)	MP (BCP0)	CKS1	CKS0	SCI_4
BRR_4									
SCR_4*	TIE	RIE	TE	RE	MPIE	TEIE	CKE1	CKE0	
TDR_4									
SSR_4*	TDRE	RDRF	ORER	FER (ERS)	PER	TEND	MPB	MPBT	
RDR_4									
SCMR_4	—	—	—	—	SDIR	SINV	—	SMIF	
FCCS	—	—	—	FLER	—	—	—	SCO	FLASH
FPCS	—	—	—	—	—	—	—	PPVS	
FECS	—	—	—	—	—	—	—	EPVB	
FKEY	K7	K6	K5	K4	K3	K2	K1	K0	
FMATS	MS7	MS6	MS5	MS4	MS3	MS2	MS1	MS0	
FTDAR	TDER	TDA6	TDA5	TDA4	TDA3	TDA2	TDA1	TDA0	
TCR_4	—	CCLR1	CCLR0	CKEG1	CKEG0	TPSC2	TPSC1	TPSC0	TPU_4
TMDR_4	—	—	—	—	—	MD2	MD1	MD0	
TIOR_4	IOB3	IOB2	IOB1	IOB0	IOA3	IOA2	IOA1	IOA0	
TIER_4	TTGE	—	TCIEU	TCIEV	—	—	TGIEB	TGIEA	
TSR_4	TCFD	—	TCFU	TCFV	—	—	TGFB	TGFA	
TCNT_4									
TGRA_4									
TGRB_4									
TCR_5	—	CCLR1	CCLR0	CKEG1	CKEG0	TPSC2	TPSC1	TPSC0	TPU_5
TMDR_5	—	—	—	—	—	MD2	MD1	MD0	
TIOR_5	IOB3	IOB2	IOB1	IOB0	IOA3	IOA2	IOA1	IOA0	
TIER_5	TTGE	—	TCIEU	TCIEV	—	—	TGIEB	TGIEA	
TSR_5	TCFD	—	TCFU	TCFV	—	—	TGFB	TGFA	
TCNT_5									

Register Abbreviation	Bit 31/23/15/7	Bit 30/22/14/6	Bit 29/21/13/5	Bit 28/20/12/4	Bit 27/19/11/3	Bit 26/18/10/2	Bit 25/17/9/1	Bit 24/16/8/0	Module
TGRA_5									TPU_5
TGRB_5									
DTCERA	DTCE15	DTCE14	DTCE13	DTCE12	DTCE11	DTCE10	DTCE9	DTCE8	DTC
	DTCE7	DTCE6	DTCE5	DTCE4	DTCE3	DTCE2	DTCE1	DTCE0	
DTCERB	DTCE15	DTCE14	DTCE13	DTCE12	DTCE11	DTCE10	DTCE9	DTCE8	
	DTCE7	DTCE6	DTCE5	DTCE4	DTCE3	DTCE2	DTCE1	DTCE0	
DTCERC	DTCE15	DTCE14	DTCE13	DTCE12	DTCE11	DTCE10	DTCE9	DTCE8	
	DTCE7	DTCE6	DTCE5	DTCE4	DTCE3	DTCE2	DTCE1	DTCE0	
DTCERD	DTCE15	DTCE14	DTCE13	DTCE12	DTCE11	DTCE10	DTCE9	DTCE8	
	DTCE7	DTCE6	DTCE5	DTCE4	DTCE3	DTCE2	DTCE1	DTCE0	
DTCERE	DTCE15	DTCE14	DTCE13	DTCE12	DTCE11	DTCE10	DTCE9	DTCE8	
	DTCE7	DTCE6	DTCE5	DTCE4	DTCE3	DTCE2	DTCE1	DTCE0	
DTCERF	DTCE15	DTCE14	DTCE13	DTCE12	DTCE11	DTCE10	DTCE9	DTCE8	
	DTCE7	DTCE6	DTCE5	DTCE4	DTCE3	DTCE2	DTCE1	DTCE0	
DTCERG	DTCE15	DTCE14	DTCE13	DTCE12	DTCE11	DTCE10	DTCE9	DTCE8	
	DTCE7	DTCE6	DTCE5	DTCE4	DTCE3	DTCE2	DTCE1	DTCE0	
DTCERH	DTCE15	DTCE14	DTCE13	DTCE12	DTCE11	DTCE10	DTCE9	DTCE8	
	DTCE7	DTCE6	DTCE5	DTCE4	DTCE3	DTCE2	DTCE1	DTCE0	
DTCCR	—	—	—	RRS	RCHNE	—	—	ERR	
INTCR	—	—	INTM1	INTM0	NMIEG	—	—	—	INTC
CPUPCR	CPUPCE	DTCP2	DTCP1	DTCP0	IPSETE	CPUP2	CPUP1	CPUP0	
IER	IRQ15E	IRQ14E	IRQ13E	IRQ12E	IRQ11E	IRQ10E	IRQ9E	IRQ8E	
	IRQ7E	IRQ6E	IRQ5E	IRQ4E	IRQ3E	IRQ2E	IRQ1E	IRQ0E	
ISR	—	IRQ14F	IRQ13F	IRQ12F	IRQ11F	IRQ10F	IRQ9F	IRQ8F	
	IRQ7F	IRQ6F	IRQ5F	IRQ4F	IRQ3F	IRQ2F	IRQ1F	IRQ0F	
PORT1	P17	P16	P15	P14	P13	P12	P11	P10	I/O port
PORT2	P27	P26	P25	P24	P23	P22	P21	P20	
PORT3	P37	P36	P35	P34	P33	P32	P31	P30	
PORT4	P47	P46	P45	P44	P43	P42	P41	P40	
PORT5	P57	P56	P55	P54	P53	P52	P51	P50	
PORT6	P67	P66	P65	P64	P63	P62	P61	P60	

Register Abbreviation	Bit 31/23/15/7	Bit 30/22/14/6	Bit 29/21/13/5	Bit 28/20/12/4	Bit 27/19/11/3	Bit 26/18/10/2	Bit 25/17/9/1	Bit 24/16/8/0	Module
PORTA	PA7	PA6	PA5	PA4	PA3	PA2	PA1	—	I/O port
PORTB	—	—	—	—	—	PB2	PB1	PB0	
PORTD	PD7	PD6	PD5	PD4	PD3	PD2	PD1	PD0	
P1DR	P17DR	P16DR	P15DR	P14DR	P13DR	P12DR	P11DR	P10DR	
P2DR	P27DR	P26DR	P25DR	P24DR	P23DR	P22DR	P21DR	P20DR	
P3DR	P37DR	P36DR	P35DR	P34DR	P33DR	P32DR	P31DR	P30DR	
P6DR	P67DR	P66DR	P65DR	P64DR	P63DR	P62DR	P61DR	P60DR	
PADR	PA7DR	PA6DR	PA5DR	PA4DR	PA3DR	PA2DR	PA1DR	PA0DR	
PBDR	—	—	—	—	—	PB2DR	PB1DR	PB0DR	
PDDR	PD7DR	PD6DR	PD5DR	PD4DR	PD3DR	PD2DR	PD1DR	PD0DR	
PCR	G3CMS1	G3CMS0	G2CMS1	G2CMS0	—	—	—	—	PPG
PMR	G3INV	G2INV	—	—	G3NOV	G2NOV	—	—	
NDERH	NDER15	NDER14	NDER13	NDER12	NDER11	NDER10	NDER9	NDER8	
NDERL	NDER7	NDER6	NDER5	NDER4	NDER3	NDER2	NDER1	NDER0	
PODRH	POD15	POD14	POD13	POD12	POD11	POD10	POD9	POD8	
PODRL	POD7	POD6	POD5	POD4	POD3	POD2	POD1	POD0	
NDRH	NDR15	NDR14	NDR13	NDR12	NDR11	NDR10	NDR9	NDR8	
NDRL	NDR7	NDR6	NDR5	NDR4	NDR3	NDR2	NDR1	NDR0	
ADDRA_0	—	—	—	—	—	—	—	—	A/D_0
ADDRB_0	—	—	—	—	—	—	—	—	
ADDRC_0	—	—	—	—	—	—	—	—	
ADDRD_0	—	—	—	—	—	—	—	—	
ADDRE_0	—	—	—	—	—	—	—	—	
ADDRF_0	—	—	—	—	—	—	—	—	
ADDRG_0	—	—	—	—	—	—	—	—	
ADDRH_0	—	—	—	—	—	—	—	—	

Register Abbreviation	Bit 31/23/15/7	Bit 30/22/14/6	Bit 29/21/13/5	Bit 28/20/12/4	Bit 27/19/11/3	Bit 26/18/10/2	Bit 25/17/9/1	Bit 24/16/8/0	Module
ADCSR_0	ADF	ADIE	ADST	—	CH3	CH2	CH1	CH0	A/D_0
ADCR_0	TRGS1	TRGS0	SCANE	SCANS	CKS1	CKS0	—	—	
TCSR	OVF	WT/IT	TME	—	—	CKS2	CKS1	CKS0	WDT
TCNT									
RSTCSR	WOVF	RSTE	—	—	—	—	—	—	
TSTR	—	—	CST5	CST4	CST3	CST2	CST1	CST0	TPU
TSYR	—	—	SYNC5	SYNC4	SYNC3	SYNC2	SYNC1	SYNC0	
TCR_0	CCLR2	CCLR1	CCLR0	CKEG1	CKEG0	TPSC2	TPSC1	TPSC0	TPU_0
TMDR_0	—	—	BFB	BFA	—	MD2	MD1	MD0	
TIORH_0	IOB3	IOB2	IOB1	IOB0	IOA3	IOA2	IOA1	IOA0	
TIORL_0	IOD3	IOD2	IOD1	IOD0	IOC3	IOC2	IOC1	IOC0	
TIER_0	TTGE	—	—	TCIEV	TGIED	TGIEC	TGIEB	TGIEA	
TSR_0	—	—	—	TCFV	TGFD	TGFC	TGFB	TGFA	
TCNT_0									
TGRA_0									
TGRB_0									
TGRC_0									
TGRD_0									
TCR_1	—	CCLR1	CCLR0	CKEG1	CKEG0	TPSC2	TPSC1	TPSC0	TPU_1
TMDR_1	—	—	—	—	—	MD2	MD1	MD0	
TIOR_1	IOB3	IOB2	IOB1	IOB0	IOA3	IOA2	IOA1	IOA0	
TIER_1	TTGE	—	TCIEU	TCIEV	—	—	TGIEB	TGIEA	
TSR_1	TCFD	—	TCFU	TCFV	—	—	TGFB	TGFA	
TCNT_1									
TGRA_1									
TGRB_1									

Register Abbreviation	Bit 31/23/15/7	Bit 30/22/14/6	Bit 29/21/13/5	Bit 28/20/12/4	Bit 27/19/11/3	Bit 26/18/10/2	Bit 25/17/9/1	Bit 24/16/8/0	Module
TCR_2	—	CCLR1	CCLR0	CKEG1	CKEG0	TPSC2	TPSC1	TPSC0	TPU_2
TMDR_2	—	—	—	—	—	MD2	MD1	MD0	
TIOR_2	IOB3	IOB2	IOB1	IOB0	IOA3	IOA2	IOA1	IOA0	
TIER_2	TTGE	—	TCIEU	TCIEV	—	—	TGIEB	TGIEA	
TSR_2	TCFD	—	TCFU	TCFV	—	—	TGFB	TGFA	
TCNT_2	_____								
TGRA_2	_____								
TGRB_2	_____								
TCR_3	CCLR2	CCLR1	CCLR0	CKEG1	CKEG0	TPSC2	TPSC1	TPSC0	TPU_3
TMDR_3	—	—	BFB	BFA	—	MD2	MD1	MD0	
TIORH_3	IOB3	IOB2	IOB1	IOB0	IOA3	IOA2	IOA1	IOA0	
TIORL_3	IOD3	IOD2	IOD1	IOD0	IOC3	IOC2	IOC1	IOC0	
TIER_3	TTGE	—	—	TCIEV	TGIED	TGIEC	TGIEB	TGIEA	
TSR_3	—	—	—	TCFV	TGFD	TGFC	TGFB	TGFA	
TCNT_3	_____								
TGRA_3	_____								
TGRB_3	_____								
TGRC_3	_____								
TGRD_3	_____								

Note: * Parts of the bit functions differ in normal mode and the smart card interface mode.

20.3 Register States in Each Operating Mode

Register Abbreviation	Reset	Sleep	Module Stop	All-Module-Clock-Stop	Software Standby	Hardware Standby
SSCRH_0	Initialized	—	Initialized	Initialized	Initialized	SSU_0
SSCRL_0	Initialized	—	Initialized	Initialized	Initialized	
SSMR_0	Initialized	—	Initialized	Initialized	Initialized	
SSER_0	Initialized	—	Initialized	Initialized	Initialized	
SSSR_0	Initialized	—	Initialized	Initialized	Initialized	
SSCR2_0	Initialized	—	Initialized	Initialized	Initialized	
SSTDR0_0	Initialized	—	Initialized	Initialized	Initialized	
SSTDR1_0	Initialized	—	Initialized	Initialized	Initialized	
SSTDR2_0	Initialized	—	Initialized	Initialized	Initialized	
SSTDR3_0	Initialized	—	Initialized	Initialized	Initialized	
SSRDR0_0	Initialized	—	Initialized	Initialized	Initialized	
SSRDR1_0	Initialized	—	Initialized	Initialized	Initialized	
SSRDR2_0	Initialized	—	Initialized	Initialized	Initialized	
SSRDR3_0	Initialized	—	Initialized	Initialized	Initialized	
SSCRH_1	Initialized	—	Initialized	Initialized	Initialized	SSU_1
SSCRL_1	Initialized	—	Initialized	Initialized	Initialized	
SSMR_1	Initialized	—	Initialized	Initialized	Initialized	
SSER_1	Initialized	—	Initialized	Initialized	Initialized	
SSSR_1	Initialized	—	Initialized	Initialized	Initialized	
SSCR2_1	Initialized	—	Initialized	Initialized	Initialized	
SSTDR0_1	Initialized	—	Initialized	Initialized	Initialized	
SSTDR1_1	Initialized	—	Initialized	Initialized	Initialized	
SSTDR2_1	Initialized	—	Initialized	Initialized	Initialized	
SSTDR3_1	Initialized	—	Initialized	Initialized	Initialized	
SSRDR0_1	Initialized	—	Initialized	Initialized	Initialized	
SSRDR1_1	Initialized	—	Initialized	Initialized	Initialized	
SSRDR2_1	Initialized	—	Initialized	Initialized	Initialized	
SSRDR3_1	Initialized	—	Initialized	Initialized	Initialized	
SSCRH_2	Initialized	—	Initialized	Initialized	Initialized	SSU_2
SSCRL_2	Initialized	—	Initialized	Initialized	Initialized	
SSMR_2	Initialized	—	Initialized	Initialized	Initialized	
SSER_2	Initialized	—	Initialized	Initialized	Initialized	
SSSR_2	Initialized	—	Initialized	Initialized	Initialized	

Register Abbreviation	Reset	Sleep	Module Stop	All-Module-Clock-Stop	Software Standby	Hardware Standby	
SSCR2_2	Initialized	—	Initialized	Initialized	Initialized	SSU_2	
SSTDR0_2	Initialized	—	Initialized	Initialized	Initialized		
SSTDR1_2	Initialized	—	Initialized	Initialized	Initialized		
SSTDR2_2	Initialized	—	Initialized	Initialized	Initialized		
SSTDR3_2	Initialized	—	Initialized	Initialized	Initialized		
SSRDR0_2	Initialized	—	Initialized	Initialized	Initialized		
SSRDR1_2	Initialized	—	Initialized	Initialized	Initialized		
SSRDR2_2	Initialized	—	Initialized	Initialized	Initialized		
SSRDR3_2	Initialized	—	Initialized	Initialized	Initialized		
PHRTIDR	Initialized	—	—	—	—		I/O port
APPDCR	Initialized	—	—	—	Initialized		A/D
ADDRA_1	Initialized	—	—	—	—		A/D_1
ADDRB_1	Initialized	—	—	—	—		
ADDRC_1	Initialized	—	—	—	—		
ADDRD_1	Initialized	—	—	—	—		
ADDRE_1	Initialized	—	—	—	—		
ADDRF_1	Initialized	—	—	—	—		
ADDRG_1	Initialized	—	—	—	—		
ADDRH_1	Initialized	—	—	—	—		
ADCSR_1	Initialized	—	—	—	—		
ADCR_1	Initialized	—	—	—	—		
TSTRB	Initialized	—	—	—	—	TPU	
TSYRB	Initialized	—	—	—	—	TPU_6	
TCR_6	Initialized	—	—	—	—		
TMDR_6	Initialized	—	—	—	—		
TIORH_6	Initialized	—	—	—	—		
TIORL_6	Initialized	—	—	—	—		
TIER_6	Initialized	—	—	—	—		
TSR_6	Initialized	—	—	—	—		
TCNT_6	Initialized	—	—	—	—		
TGRA_6	Initialized	—	—	—	—		
TGRB_6	Initialized	—	—	—	—		
TGRC_6	Initialized	—	—	—	—		
TGRD_6	Initialized	—	—	—	—		

Register Abbreviation	Reset	Sleep	Module Stop	All-Module-Clock-Stop	Software Standby	Hardware Standby
TCR_7	Initialized	—	—	—	—	TPU_7
TMDR_7	Initialized	—	—	—	—	
TIOR_7	Initialized	—	—	—	—	
TIER_7	Initialized	—	—	—	—	
TSR_7	Initialized	—	—	—	—	
TCNT_7	Initialized	—	—	—	—	
TGRA_7	Initialized	—	—	—	—	
TGRB_7	Initialized	—	—	—	—	TPU_8
TCR_8	Initialized	—	—	—	—	
TMDR_8	Initialized	—	—	—	—	
TIOR_8	Initialized	—	—	—	—	
TIER_8	Initialized	—	—	—	—	
TSR_8	Initialized	—	—	—	—	
TCNT_8	Initialized	—	—	—	—	
TGRA_8	Initialized	—	—	—	—	TPU_9
TGRB_8	Initialized	—	—	—	—	
TCR_9	Initialized	—	—	—	—	
TMDR_9	Initialized	—	—	—	—	
TIORH_9	Initialized	—	—	—	—	
TIORL_9	Initialized	—	—	—	—	
TIER_9	Initialized	—	—	—	—	
TSR_9	Initialized	—	—	—	—	TPU_10
TCNT_9	Initialized	—	—	—	—	
TGRA_9	Initialized	—	—	—	—	
TGRB_9	Initialized	—	—	—	—	
TGRC_9	Initialized	—	—	—	—	
TGRD_9	Initialized	—	—	—	—	
TCR_10	Initialized	—	—	—	—	
TMDR_10	Initialized	—	—	—	—	TPU_10
TIOR_10	Initialized	—	—	—	—	
TIER_10	Initialized	—	—	—	—	
TSR_10	Initialized	—	—	—	—	
TCNT_10	Initialized	—	—	—	—	
TGRA_10	Initialized	—	—	—	—	
TGRB_10	Initialized	—	—	—	—	

Register Abbreviation	Reset	Sleep	Module Stop	All-Module-Clock-Stop	Software Standby	Hardware Standby	
TCR_11	Initialized	—	—	—	—	TPU_11	
TMDR_11	Initialized	—	—	—	—		
TIOR_11	Initialized	—	—	—	—		
TIER_11	Initialized	—	—	—	—		
TSR_11	Initialized	—	—	—	—		
TCNT_11	Initialized	—	—	—	—		
TGRA_11	Initialized	—	—	—	—		
TGRB_11	Initialized	—	—	—	—		
P1DDR	Initialized	—	—	—	—		I/O port
P2DDR	Initialized	—	—	—	—		
P3DDR	Initialized	—	—	—	—		
P6DDR	Initialized	—	—	—	—		
PADDR	Initialized	—	—	—	—		
PBDDR	Initialized	—	—	—	—		
PDDDR	Initialized	—	—	—	—		
P1ICR	Initialized	—	—	—	—		
P2ICR	Initialized	—	—	—	—		
P3ICR	Initialized	—	—	—	—		
P4ICR	Initialized	—	—	—	—		
P5ICR	Initialized	—	—	—	—		
P6ICR	Initialized	—	—	—	—		
PAICR	Initialized	—	—	—	—		
PBICR	Initialized	—	—	—	—		
PDICR	Initialized	—	—	—	—		
PORTH	—	—	—	—	—		
PORTI	—	—	—	—	—		
PORTJ	—	—	—	—	—		
PORTK	—	—	—	—	—		
PHDR	Initialized	—	—	—	—		
PIDR	Initialized	—	—	—	—		
PJDR	Initialized	—	—	—	—		
PKDR	Initialized	—	—	—	—		
PHDDR	Initialized	—	—	—	—		
PIDDR	Initialized	—	—	—	—		
PJDDR	Initialized	—	—	—	—		

Register Abbreviation	Reset	Sleep	Module Stop	All-Module-Clock-Stop	Software Standby	Hardware Standby
PKDDR	Initialized	—	—	—	—	I/O port
PHICR	Initialized	—	—	—	—	
PIICR	Initialized	—	—	—	—	
PJICR	Initialized	—	—	—	—	
PKICR	Initialized	—	—	—	—	
PDPCR	Initialized	—	—	—	—	
PHPCR	Initialized	—	—	—	—	
PIPCR	Initialized	—	—	—	—	
PJPCR	Initialized	—	—	—	—	
PKPCR	Initialized	—	—	—	—	
P2ODR	Initialized	—	—	—	—	
PFCR9	Initialized	—	—	—	—	
PFCRA	Initialized	—	—	—	—	
PFCRB	Initialized	—	—	—	—	
SSIER	Initialized	—	—	—	—	INTC
DSAR_0	Initialized	—	—	—	—	DMAC_0
DDAR_0	Initialized	—	—	—	—	
DOFR_0	Initialized	—	—	—	—	
DTCR_0	Initialized	—	—	—	—	
DBSR_0	Initialized	—	—	—	—	
DMDR_0	Initialized	—	—	—	—	
DACR_0	Initialized	—	—	—	—	
DSAR_1	Initialized	—	—	—	—	DMAC_1
DDAR_1	Initialized	—	—	—	—	
DOFR_1	Initialized	—	—	—	—	
DTCR_1	Initialized	—	—	—	—	
DBSR_1	Initialized	—	—	—	—	
DMDR_1	Initialized	—	—	—	—	
DACR_1	Initialized	—	—	—	—	
DSAR_2	Initialized	—	—	—	—	DMAC_2
DDAR_2	Initialized	—	—	—	—	
DOFR_2	Initialized	—	—	—	—	
DTCR_2	Initialized	—	—	—	—	
DBSR_2	Initialized	—	—	—	—	
DMDR_2	Initialized	—	—	—	—	
DACR_2	Initialized	—	—	—	—	

Register Abbreviation	Reset	Sleep	Module Stop	All-Module-Clock-Stop	Software Standby	Hardware Standby	
DSAR_3	Initialized	—	—	—	—	DMAC_3	
DDAR_3	Initialized	—	—	—	—		
DOFR_3	Initialized	—	—	—	—		
DTCR_3	Initialized	—	—	—	—		
DBSR_3	Initialized	—	—	—	—		
DMDR_3	Initialized	—	—	—	—		
DACR_3	Initialized	—	—	—	—		
DMRSR_0	Initialized	—	—	—	—	DMAC_0	
DMRSR_1	Initialized	—	—	—	—	DMAC_1	
DMRSR_2	Initialized	—	—	—	—	DMAC_2	
DMRSR_3	Initialized	—	—	—	—	DMAC_3	
IPRA	Initialized	—	—	—	—	INTC	
IPRB	Initialized	—	—	—	—		
IPRC	Initialized	—	—	—	—		
IPRD	Initialized	—	—	—	—		
IPRE	Initialized	—	—	—	—		
IPRF	Initialized	—	—	—	—		
IPRG	Initialized	—	—	—	—		
IPRI	Initialized	—	—	—	—		
IPRK	Initialized	—	—	—	—		
IPRL	Initialized	—	—	—	—		
IPRM	Initialized	—	—	—	—		
IPRN	Initialized	—	—	—	—		
IPRO	Initialized	—	—	—	—		
IPRQ	Initialized	—	—	—	—		
IPRR	Initialized	—	—	—	—		
ISCRH	Initialized	—	—	—	—		
ISCR_L	Initialized	—	—	—	—		
DTCVBR	Initialized	—	—	—	—		BSC
BCR2	Initialized	—	—	—	—		
RAMER	Initialized	—	—	—	—		

Register Abbreviation	Reset	Sleep	Module Stop	All-Module-Clock-Stop	Software Standby	Hardware Standby
MDCR	Initialized	—	—	—	—	SYSTEM
SYSCR	Initialized	—	—	—	—	
SCKCR	Initialized	—	—	—	—	
SBYCR	Initialized	—	—	—	—	
MSTPCRA	Initialized	—	—	—	—	
MSTPCRB	Initialized	—	—	—	—	
MSTPCRC	Initialized	—	—	—	—	
SMR_3	Initialized	—	—	—	—	SCL_3
BRR_3	Initialized	—	—	—	—	
SCR_3	Initialized	—	—	—	—	
TDR_3	Initialized	—	Initialized	Initialized	Initialized	
SSR_3	Initialized	—	Initialized	Initialized	Initialized	
RDR_3	Initialized	—	Initialized	Initialized	Initialized	
SCMR_3	Initialized	—	—	—	—	
SMR_4	Initialized	—	—	—	—	SCL_4
BRR_4	Initialized	—	—	—	—	
SCR_4	Initialized	—	—	—	—	
TDR_4	Initialized	—	Initialized	Initialized	Initialized	
SSR_4	Initialized	—	Initialized	Initialized	Initialized	
RDR_4	Initialized	—	Initialized	Initialized	Initialized	
SCMR_4	Initialized	—	—	—	—	
FCCS	Initialized	—	—	—	—	FLASH
FPCS	Initialized	—	—	—	—	
FECS	Initialized	—	—	—	—	
FKEY	Initialized	—	—	—	—	
FMATS	Initialized	—	—	—	—	
FTDAR	Initialized	—	—	—	—	
TCR_4	Initialized	—	—	—	—	TPU_4
TMDR_4	Initialized	—	—	—	—	
TIOR_4	Initialized	—	—	—	—	
TIER_4	Initialized	—	—	—	—	
TSR_4	Initialized	—	—	—	—	
TCNT_4	Initialized	—	—	—	—	
TGRA_4	Initialized	—	—	—	—	
TGRB_4	Initialized	—	—	—	—	

Register Abbreviation	Reset	Sleep	Module Stop	All-Module-Clock-Stop	Software Standby	Hardware Standby	
TCR_5	Initialized	—	—	—	—	TPU_5	
TMDR_5	Initialized	—	—	—	—		
TIOR_5	Initialized	—	—	—	—		
TIER_5	Initialized	—	—	—	—		
TSR_5	Initialized	—	—	—	—		
TCNT_5	Initialized	—	—	—	—		
TGRA_5	Initialized	—	—	—	—		
TGRB_5	Initialized	—	—	—	—		
DTCERA	Initialized	—	—	—	—		DTC
DTCERB	Initialized	—	—	—	—		
DTCERC	Initialized	—	—	—	—		
DTCERD	Initialized	—	—	—	—		
DTCERE	Initialized	—	—	—	—		
DTCERF	Initialized	—	—	—	—		
DTCERG	Initialized	—	—	—	—		
DTCERH	Initialized	—	—	—	—		
DTCCR	Initialized	—	—	—	—		
INTCR	Initialized	—	—	—	—	INTC	
CPUPCR	Initialized	—	—	—	—		
IER	Initialized	—	—	—	—		
ISR	Initialized	—	—	—	—		
PORT1	—	—	—	—	—	I/O port	
PORT2	—	—	—	—	—		
PORT3	—	—	—	—	—		
PORT4	—	—	—	—	—		
PORT5	—	—	—	—	—		
PORT6	—	—	—	—	—		
PORTA	—	—	—	—	—		
PORTB	—	—	—	—	—		
PORTD	—	—	—	—	—		
P1DR	Initialized	—	—	—	—		
P2DR	Initialized	—	—	—	—		
P3DR	Initialized	—	—	—	—		
P6DR	Initialized	—	—	—	—		

Register Abbreviation	Reset	Sleep	Module Stop	All-Module-Clock-Stop	Software Standby	Hardware Standby
PADR	Initialized	—	—	—	—	I/O port
PBDR	Initialized	—	—	—	—	
PDDR	Initialized	—	—	—	—	
PCR	Initialized	—	—	—	—	PPG
PMR	Initialized	—	—	—	—	
NDERH	Initialized	—	—	—	—	
NDERL	Initialized	—	—	—	—	
PODRH	Initialized	—	—	—	—	
PODRL	Initialized	—	—	—	—	
NDRH	Initialized	—	—	—	—	
NDRL	Initialized	—	—	—	—	
ADDRA_0	Initialized	—	—	—	—	A/D_0
ADDRB_0	Initialized	—	—	—	—	
ADDRC_0	Initialized	—	—	—	—	
ADDRD_0	Initialized	—	—	—	—	
ADDRE_0	Initialized	—	—	—	—	
ADDRF_0	Initialized	—	—	—	—	
ADDRG_0	Initialized	—	—	—	—	
ADDRH_0	Initialized	—	—	—	—	
ADCSR_0	Initialized	—	—	—	—	
ADCR_0	Initialized	—	—	—	—	
TCSR	Initialized	—	—	—	—	WDT
TCNT	Initialized	—	—	—	—	
RSTCSR	Initialized	—	—	—	—	
TSTR	Initialized	—	—	—	—	TPU
TSYR	Initialized	—	—	—	—	
TCR_0	Initialized	—	—	—	—	TPU_0
TMDR_0	Initialized	—	—	—	—	
TIORH_0	Initialized	—	—	—	—	
TIORL_0	Initialized	—	—	—	—	
TIER_0	Initialized	—	—	—	—	
TSR_0	Initialized	—	—	—	—	
TCNT_0	Initialized	—	—	—	—	

Register Abbreviation	Reset	Sleep	Module Stop	All-Module-Clock-Stop	Software Standby	Hardware Standby
TGRA_0	Initialized	—	—	—	—	TPU_0
TGRB_0	Initialized	—	—	—	—	
TGRC_0	Initialized	—	—	—	—	
TGRD_0	Initialized	—	—	—	—	
TCR_1	Initialized	—	—	—	—	TPU_1
TMDR_1	Initialized	—	—	—	—	
TIOR_1	Initialized	—	—	—	—	
TIER_1	Initialized	—	—	—	—	
TSR_1	Initialized	—	—	—	—	
TCNT_1	Initialized	—	—	—	—	
TGRA_1	Initialized	—	—	—	—	
TGRB_1	Initialized	—	—	—	—	
TCR_2	Initialized	—	—	—	—	TPU_2
TMDR_2	Initialized	—	—	—	—	
TIOR_2	Initialized	—	—	—	—	
TIER_2	Initialized	—	—	—	—	
TSR_2	Initialized	—	—	—	—	
TCNT_2	Initialized	—	—	—	—	
TGRA_2	Initialized	—	—	—	—	
TGRB_2	Initialized	—	—	—	—	
TCR_3	Initialized	—	—	—	—	TPU_3
TMDR_3	Initialized	—	—	—	—	
TIORH_3	Initialized	—	—	—	—	
TIORL_3	Initialized	—	—	—	—	
TIER_3	Initialized	—	—	—	—	
TSR_3	Initialized	—	—	—	—	
TCNT_3	Initialized	—	—	—	—	
TGRA_3	Initialized	—	—	—	—	
TGRB_3	Initialized	—	—	—	—	
TGRC_3	Initialized	—	—	—	—	
TGRD_3	Initialized	—	—	—	—	

Section 21 Electrical Characteristics

21.1 Absolute Maximum Ratings

Table 21.1 Absolute Maximum Ratings

Item	Symbol	Value	Unit
Power supply voltage	V_{CC}	-0.3 to +7.0	V
Input voltage (except ports 4 and 5)	V_{in}	-0.3 to $V_{CC} + 0.3$	V
Input voltage (port 4)	V_{in}	-0.3 to $AV_{CC1} + 0.3$	V
Input voltage (port 5)	V_{in}	-0.3 to $AV_{CC0} + 0.3$	V
Analog power supply voltage	AV_{CC0}	-0.3 to +7.0	V
	AV_{CC1}	-0.3 to +7.0	V
Analog input voltage (port 4)	V_{AN}	-0.3 to $AV_{CC1} + 0.3$	V
Analog input voltage (port 5)	V_{AN}	-0.3 to $AV_{CC0} + 0.3$	V
Operating temperature	T_{opr}	-20 to +85*	°C
Storage temperature	T_{stg}	-55 to +125	°C

Caution: Permanent damage to the LSI may result if absolute maximum ratings are exceeded.

Note: * The operating temperature when programming/erasing the flash memory ranges from 0°C to +85°C.

21.2 DC Characteristics

Table 21.2 DC Characteristics (1)

Conditions: $V_{CC} = 4.5\text{ V to }5.5\text{ V}$, $AV_{CC0} = 4.5\text{ V to }5.5\text{ V}$, $AV_{CC1} = 4.5\text{ V to }5.5\text{ V}$,
 $V_{SS} = AV_{SS} = 0\text{ V}^{*1}$, $T_a = -20^\circ\text{C to }+85^\circ\text{C}$

Item		Symbol	Min.	Typ.	Max.	Unit	Test Conditions
Schmitt trigger input voltage	$\overline{\text{IRQ}}$ input pin,	V_T^-	$V_{CC} \times 0.2$	—	—	V	
	TPU input pin,	V_T^+	—	—	$V_{CC} \times 0.7$		
	ports 2, 3, J, K	$V_T^+ - V_T^-$	$V_{CC} \times 0.05$	—	—		
Input high voltage (except Schmitt trigger input pin)	MD, $\overline{\text{RES}}$, NMI	V_{IH}	$V_{CC} - 0.7$	—	$V_{CC} + 0.3$	V	
	EXTAL		$V_{CC} \times 0.7$	—	$V_{CC} + 0.3$		
	Other input pins		$V_{CC} \times 0.7$	—	$V_{CC} + 0.3$		
	Port 4		$AV_{CC1} \times 0.7$	—	$AV_{CC1} + 0.3$		
	Port 5		$AV_{CC0} \times 0.7$	—	$AV_{CC0} + 0.3$		
Input low voltage (except Schmitt trigger input pin)	$\overline{\text{RES}}$, MD, NMI	V_{IL}	-0.3	—	$V_{CC} \times 0.1$	V	
	EXTAL		-0.3	—	$V_{CC} \times 0.2$		
	Other pins		-0.3	—	$V_{CC} \times 0.2$		
	Port 4		-0.3	—	$AV_{CC1} \times 0.2$		
	Port 5		-0.3	—	$AV_{CC0} \times 0.2$		
Output high voltage	All output pins	V_{OH}	$V_{CC} - 0.5$	—	—	V	$I_{OH} = -200\ \mu\text{A}$
			$V_{CC} - 1.0$	—	—		$I_{OH} = -1\ \text{mA}$
Output low voltage	All output pins	V_{OL}	—	—	0.4	V	$I_{OL} = 1.6\ \text{mA}$
Input leakage current	$\overline{\text{RES}}$, NMI, MD	$ I_{in} $	—	—	1.0	μA	$V_{in} = 0.5\text{ to }V_{CC} - 0.5\text{ V}$
	Port 4		—	—	1.0		$V_{in} = 0.5\text{ to }AV_{CC1} - 0.5\text{ V}$
	Port 5		—	—	1.0		$V_{in} = 0.5\text{ to }AV_{CC0} - 0.5\text{ V}$

Table 21.2 DC Characteristics (2)

Conditions: $V_{CC} = 4.5\text{ V to }5.5\text{ V}$, $AV_{CC0} = 4.5\text{ V to }5.5\text{ V}$, $AV_{CC1} = 4.5\text{ V to }5.5\text{ V}$,
 $V_{SS} = AV_{SS} = 0\text{ V}^*$, $T_a = -20^\circ\text{C to }+85^\circ\text{C}$

Item		Symbol	Min.	Typ.	Max.	Unit	Test Conditions
Tri-state leakage current (off state)	Ports 1 to 3, 6, A, B, D, H, I, J, K	$ I_{TSL} $	—	—	1.0	μA	$V_{in} = 0.5\text{ to }V_{CC} - 0.5\text{ V}$
Input pull-up MOS current	Ports D, H, I, J, K	$-I_p$	50	—	300	μA	$V_{in} = 0\text{ V}$
Analog port pull-down MOS current	Ports 4, 5	I_p	10	—	30	μA	$V_{in} = AV_{CC0}$, AV_{CC1}
Input capacitance	All input pins	C_{in}	—	—	15	pF	$V_{in} = 0\text{ V}$ $f = 1\text{ MHz}$ $T_a = 25^\circ\text{C}$
Current consumption* ²	Normal operation	I_{CC}^*	—	95	107	mA	$f = 48\text{ MHz}$
	Sleep mode		—	75	85		
	Standby mode* ³		—	50	300	μA	$T_a \leq 50^\circ\text{C}$
			—	—	1	mA	$50^\circ\text{C} < T_a$
	All-module-clock-stop mode* ⁵		—	42	55	mA	
Analog power supply current	During A/D conversion	AI_{CC0}	—	3.5	5		$AV_{CC0} = 5.0\text{ V}$
	Standby for A/D conversion		—	1	5	μA	
	During A/D conversion	AI_{CC1}	—	3.5	5	mA	$AV_{CC1} = 5.0\text{ V}$
	Standby for A/D conversion		—	1	5	μA	
RAM standby voltage		V_{RAM}	3.0	—	—	V	

- Notes: 1. When the A/D converter is not used, the AV_{CC0} , AV_{CC1} , and AV_{SS} pins should not be open. Connect the AV_{CC0} and AV_{CC1} pins to V_{CC} , and the AV_{SS} pin to V_{SS} .
2. Current consumption values are for $V_{IH} = AV_{CC0}$ (port 5), AV_{CC1} (port 4), V_{CC} (others) and $V_{IL} = 0\text{ V}$ with all output pins unloaded and all input pull-up MOSs in the off state.
3. The values are for $V_{RAM} \leq V_{CC} < 4.5\text{ V}$, $V_{IH\text{min.}} = V_{CC} - 0.1\text{ V}$, and $V_{IL\text{max.}} = 0.1\text{ V}$.
4. I_{CC} depends on V_{CC} and f as follows:
 $I_{CC\text{max}} = 12\text{ (mA)} + 0.35\text{ (mA/(MHz} \times \text{V))} \times V_{CC} \times f$ (normal operation)
 $I_{CC\text{max}} = 12\text{ (mA)} + 0.28\text{ (mA/(MHz} \times \text{V))} \times V_{CC} \times f$ (sleep mode)
5. The values are for reference.

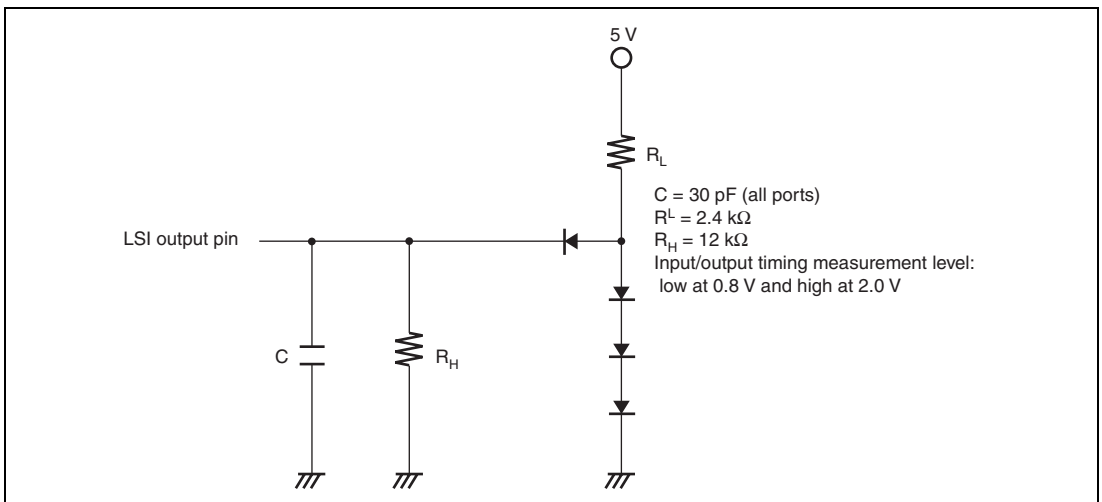
Table 21.3 Permissible Output Currents

Conditions: $V_{CC} = 4.5\text{ V to }5.5\text{ V}$, $AV_{CC0} = 4.5\text{ V to }5.5\text{ V}$, $AV_{CC1} = 4.5\text{ V to }5.5\text{ V}$,
 $V_{SS} = AV_{SS} = 0\text{ V}^*$, $T_a = -20^\circ\text{C to }+85^\circ\text{C}$ (regular specifications),
 $T_a = -40^\circ\text{C to }+85^\circ\text{C}$ (wide-range specifications)

Item		Symbol	Min.	Typ.	Max.	Unit
Permissible output low current (per pin)	All output pins	I_{OL}	—	—	10	mA
Permissible output low current (total)	Total of all output pins	ΣI_{OL}	—	—	100	mA
Permissible output high current (per pin)	All output pins	$-I_{OH}$	—	—	2.0	mA
Permissible output high current (total)	Total of all output pins	$\Sigma -I_{OH}$	—	—	30	mA

Caution: To protect the LSI's reliability, do not exceed the output current values in table 21.3.

Note: * When the A/D converter is not used, the AV_{CC0} , AV_{CC1} , and AV_{SS} pins should not be open. Connect the AV_{CC0} and AV_{CC1} pins to V_{CC} , and the AV_{SS} pin to V_{SS} .

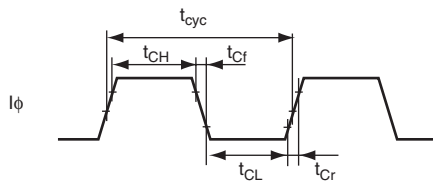
21.3 AC Characteristics**Figure 21.1 Output Load Circuit**

21.3.1 Clock Timing

Table 21.4 Clock Timing

Conditions: $V_{CC} = 4.5\text{ V to }5.5\text{ V}$, $AV_{CC0} = 4.5\text{ V to }5.5\text{ V}$, $AV_{CC1} = 4.5\text{ V to }5.5\text{ V}$,
 $V_{SS} = AV_{SS} = 0\text{ V}$, $I_{\phi} = 8\text{ to }48\text{ MHz}$, $P_{\phi} = 8\text{ to }35\text{ MHz}$,
 $T_a = -20^{\circ}\text{C to }+85^{\circ}\text{C}$

Item	Symbol	Min.	Max.	Unit.	Test Conditions
Clock cycle time	t_{cyc}	20.8	125	ns	Figure 21.2
Clock high pulse width	t_{CH}	3	—	ns	
Clock low pulse width	t_{CL}	3	—	ns	
Clock rising time	t_{Cr}	—	5	ns	
Clock falling time	t_{Cf}	—	5	ns	
Oscillation settling time after reset (crystal)	t_{OSC1}	20	—	ms	Figure 21.4
Oscillation settling time after leaving software standby mode (crystal)	t_{OSC2}	10	—	ms	Figure 21.3
External clock output delay settling time	t_{DEXT}	2	—	ms	Figure 21.4
External clock input low pulse width	T_{EXL}	45	—	ns	Figure 21.5
External clock input high pulse width	T_{EXH}	45	—	ns	External clock input frequency = 4 to 9 MHz
External clock rising time	T_{EXr}	—	5	ns	
External clock falling time	T_{EXf}	—	5	ns	


Figure 21.2 System Bus Clock Timing

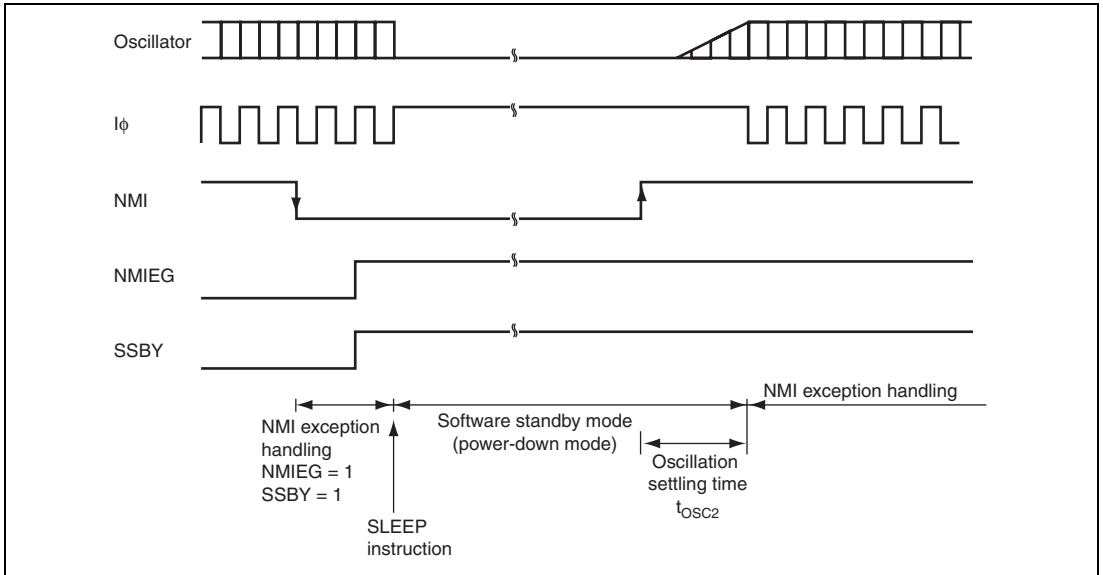


Figure 21.3 Oscillation Settling Timing after Software Standby Mode

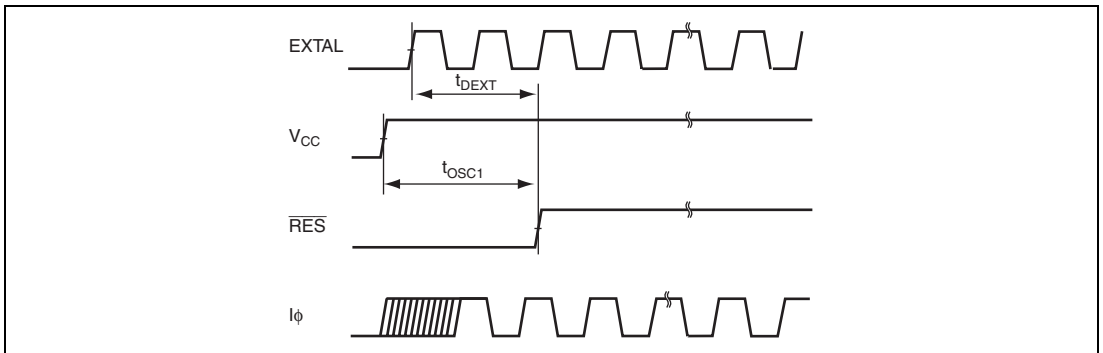


Figure 21.4 Oscillation Settling Timing

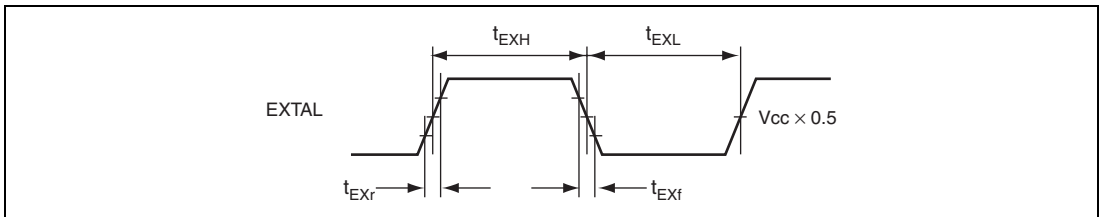


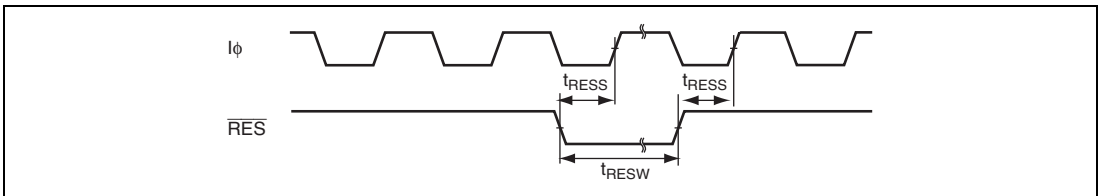
Figure 21.5 External Input Clock Timing

21.3.2 Control Signal Timing

Table 21.5 Control Signal Timing

Conditions: $V_{CC} = 4.5\text{ V to }5.5\text{ V}$, $AV_{CC0} = 4.5\text{ V to }5.5\text{ V}$, $AV_{CC1} = 4.5\text{ V to }5.5\text{ V}$,
 $V_{SS} = AV_{SS} = 0\text{ V}$, $I\phi = 8\text{ to }48\text{ MHz}$,
 $T_a = -20^\circ\text{C to }+85^\circ\text{C}$,

Item	Symbol	Min.	Max.	Unit	Test Conditions
$\overline{\text{RES}}$ setup time	t_{RESS}	200	—	ns	Figure 21.6
$\overline{\text{RES}}$ pulse width	t_{RESW}	20	—	t_{cyc}	
NMI setup time	t_{NMIS}	150	—	ns	Figure 21.7
NMI hold time	t_{NMIH}	10	—	ns	
NMI pulse width (after leaving software standby mode)	t_{NMIW}	200	—	ns	
$\overline{\text{IRQ}}$ setup time	t_{IRQS}	150	—	ns	
$\overline{\text{IRQ}}$ hold time	t_{IRQH}	10	—	ns	
$\overline{\text{IRQ}}$ pulse width (after leaving software standby mode)	t_{IRQW}	200	—	ns	


Figure 21.6 Reset Input Timing

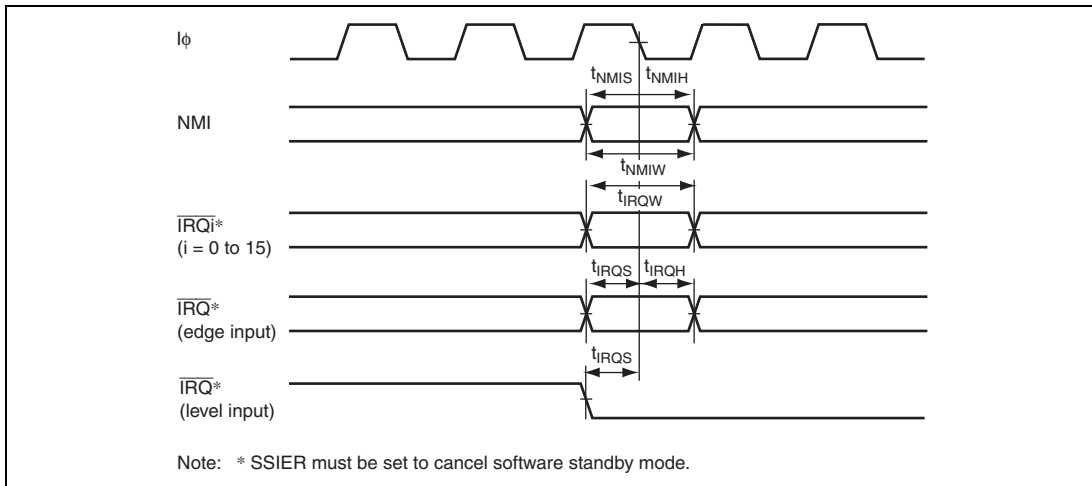


Figure 21.7 Interrupt Input Timing

21.3.3 Timing of On-Chip Peripheral Modules

Table 21.6 Timing of On-Chip Peripheral Modules (1)

Conditions: $V_{CC} = 4.5\text{ V to }5.5\text{ V}$, $AV_{CC0} = 4.5\text{ V to }5.5\text{ V}$, $AV_{CC1} = 4.5\text{ V to }5.5\text{ V}$,
 $V_{SS} = AV_{SS} = 0\text{ V}$, $P\phi = 8\text{ to }35\text{ MHz}$,
 $T_a = -20^\circ\text{C to }+85^\circ\text{C}$

Item		Symbol	Min.	Max.	Unit	Test Conditions	
I/O ports	Output data delay time	t_{PWD}	—	40	ns	Figure 21.8	
	Input data setup time	t_{PRS}	25	—	ns		
	Input data hold time	t_{PRH}	25	—	ns		
	Realtime input port data hold time	t_{RTIPH}	4	—	t_{cyc}	Figure 21.9	
TPU	Timer output delay time	t_{TOCD}	—	40	ns	Figure 21.10	
	Timer input setup time	t_{TICS}	25	—	ns		
	Timer clock input setup time	t_{TCKS}	25	—	ns	Figure 21.11	
	Timer clock pulse width	Single-edge setting	t_{TCKWH}	1.5	—	t_{cyc}	
		Both-edge setting	t_{TCKWL}	2.5	—	t_{cyc}	

Item		Symbol	Min.	Max.	Unit	Test Conditions	
PPG	Pulse output delay time	t_{POD}	—	40	ns	Figure 21.12	
SCI	Input clock cycle	Asynchronous	t_{Scyc}	4	—	t_{cyc}	Figure 21.13
		Clocked synchronous		6	—		
	Input clock pulse width	t_{SCKW}	0.4	0.6	t_{Scyc}		
	Input clock rise time	t_{SCKr}	—	20	ns	Figure 21.13	
	Input clock fall time	t_{SCKf}	—	20	ns	Measurement voltages: $V_{CC} \times 0.3$ V to $V_{CC} \times 0.7$ V	
	Output clock cycle	Asynchronous	t_{Scyc}	30	—	t_{cyc}	Figure 21.13
		Clocked synchronous		4	—		
	Output clock pulse width	t_{SCKW}	0.4	0.6	t_{Scyc}		
	Output clock rise time	t_{SCKr}	—	20	ns	Figure 21.13	
	Output clock fall time	t_{SCKf}	—	20	ns	Measurement voltages: $V_{CC} \times 0.3$ V to $V_{CC} \times 0.7$ V	
	Transmit data delay time	t_{TXD}	—	40	ns	Figure 21.14	
	Receive data setup time (clocked synchronous)	t_{RXS}	40	—	ns		
	Receive data hold time (clocked synchronous)	t_{RXH}	40	—	ns		
A/D converter	Trigger input setup time	t_{TRGS}	30	—	ns	Figure 21.15	

Table 21.6 Timing of On-Chip Peripheral Modules (2)

Conditions: $V_{CC} = 4.5\text{ V to }5.5\text{ V}$, $AV_{CC0} = 4.5\text{ V to }5.5\text{ V}$, $AV_{CC1} = 4.5\text{ V to }5.5\text{ V}$,
 $V_{SS} = AV_{SS} = 0\text{ V}$, $P\phi = 8\text{ to }24\text{ MHz}$,
 $T_a = -20^\circ\text{C to }+85^\circ\text{C}$

	Item	Symbol	Min.	Max.	Unit	Test Conditions	
SSU	Clock cycle time	Master	t_{SUcyc}	4	256	t_{cyc}	Figure 21.16
		Slave		4	256		Figure 21.17
	Clock high pulse width	Master	t_{HI}	80	—	ns	Figure 21.18
		Slave		80	—		Figure 21.19
	Clock low pulse width	Master	t_{LO}	80	—	ns	
		Slave		80	—		
	Clock rising time		t_{RISE}	—	20	ns	
	Clock falling time		t_{FALL}	—	20	ns	
	Data input setup time	Master	t_{SU}	25	—	ns	
		Slave		30	—		
	Data input hold time	Master	t_{H}	10	—	ns	
		Slave		10	—		
	SCS setup time	Master	t_{LEAD}	2.5	—	t_{cyc}	
		Slave		2.5	—		
	SCS hold time	Master	t_{LAG}	2.5	—	t_{cyc}	
		Slave		2.5	—		
	Data output delay time	Master	t_{OD}	—	40	ns	
		Slave		—	40		
	Data output hold time	Master	t_{OH}	30	—	ns	
		Slave		30	—		
	Consecutive transmit delay time	Master	t_{TD}	2.5	—	t_{cyc}	
		Slave		2.5	—		
	Slave access time		t_{SA}	—	1	t_{cyc}	Figure 21.18
	Slave out release time		t_{REL}	—	1	t_{cyc}	Figure 21.19

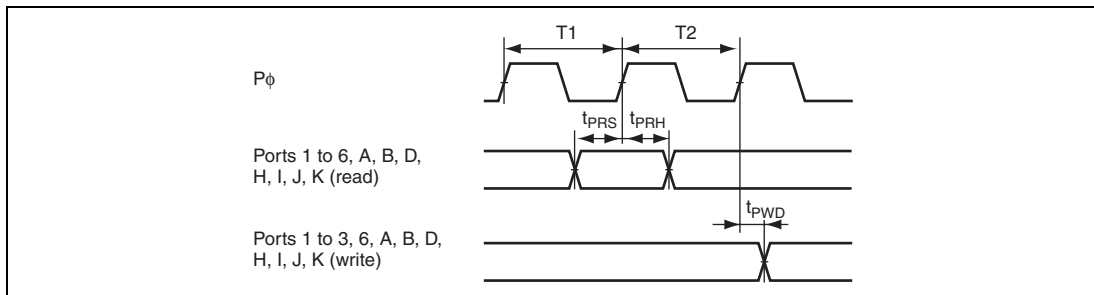


Figure 21.8 I/O Port Input/Output Timing

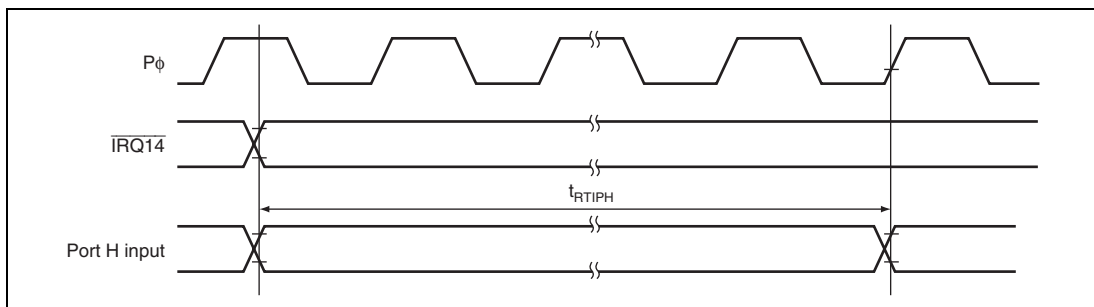


Figure 21.9 Data Input Timing for Realtime Input Port

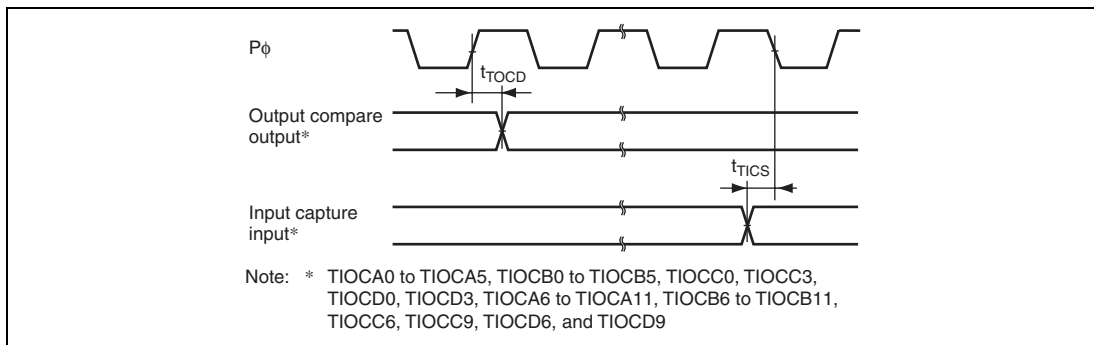


Figure 21.10 TPU Input/Output Timing

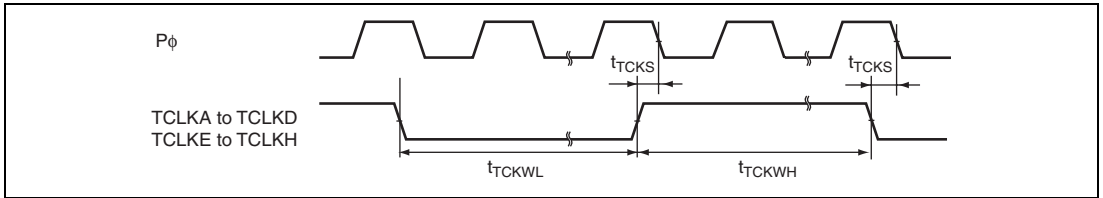


Figure 21.11 TPU Clock Input Timing

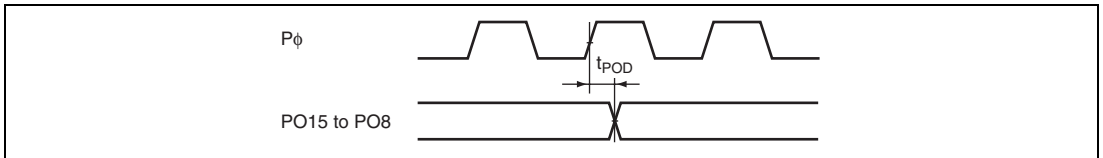


Figure 21.12 PPG Output Timing

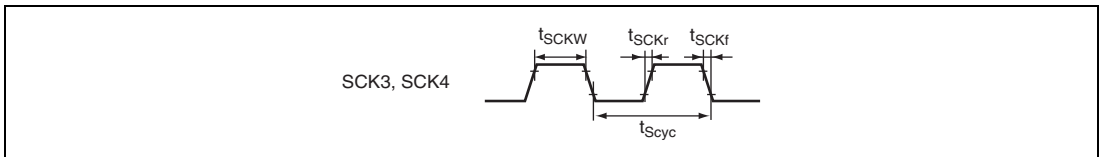


Figure 21.13 SCK Clock Input/Output Timing

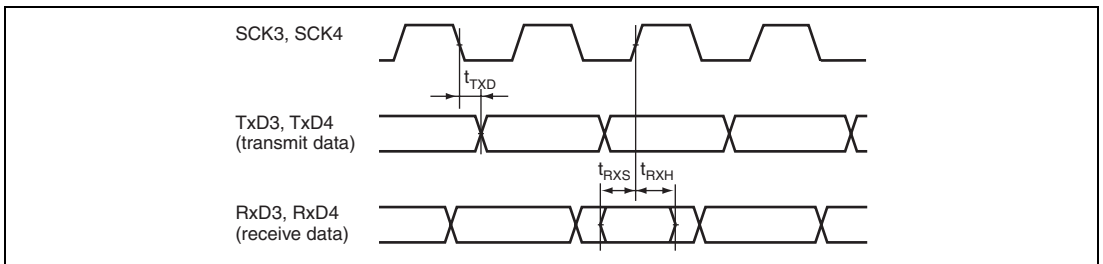


Figure 21.14 SCI Input/Output Timing: Clocked Synchronous Mode

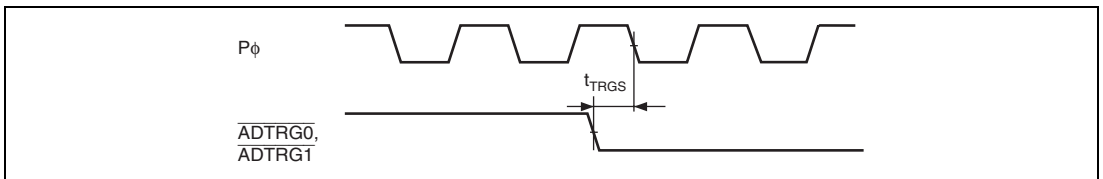


Figure 21.15 A/D Converter External Trigger Input Timing

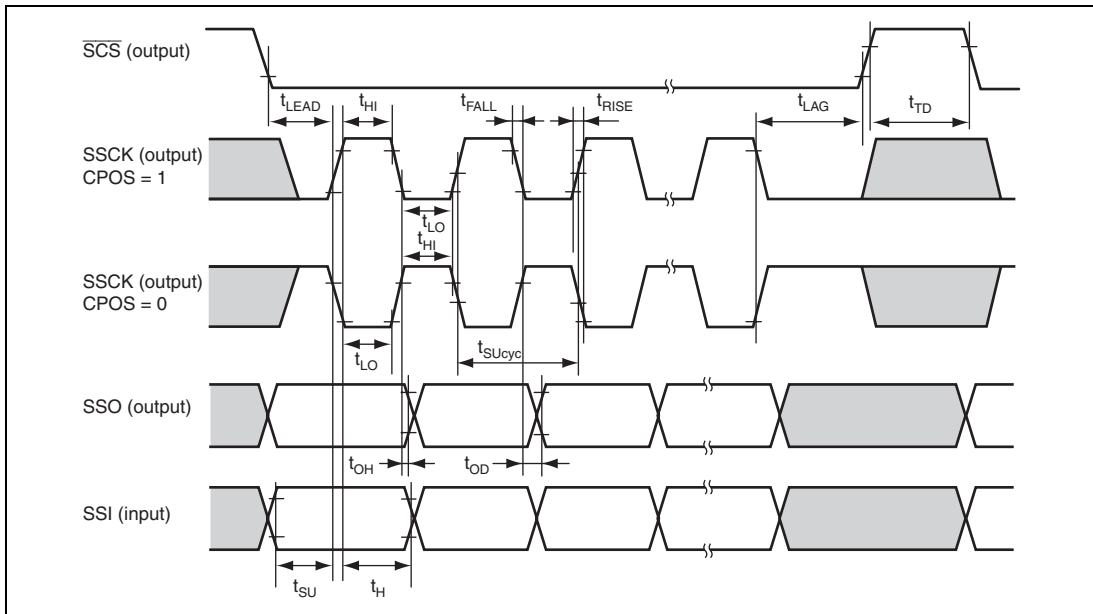


Figure 21.16 SSU Timing (Master, CPHS = 1)

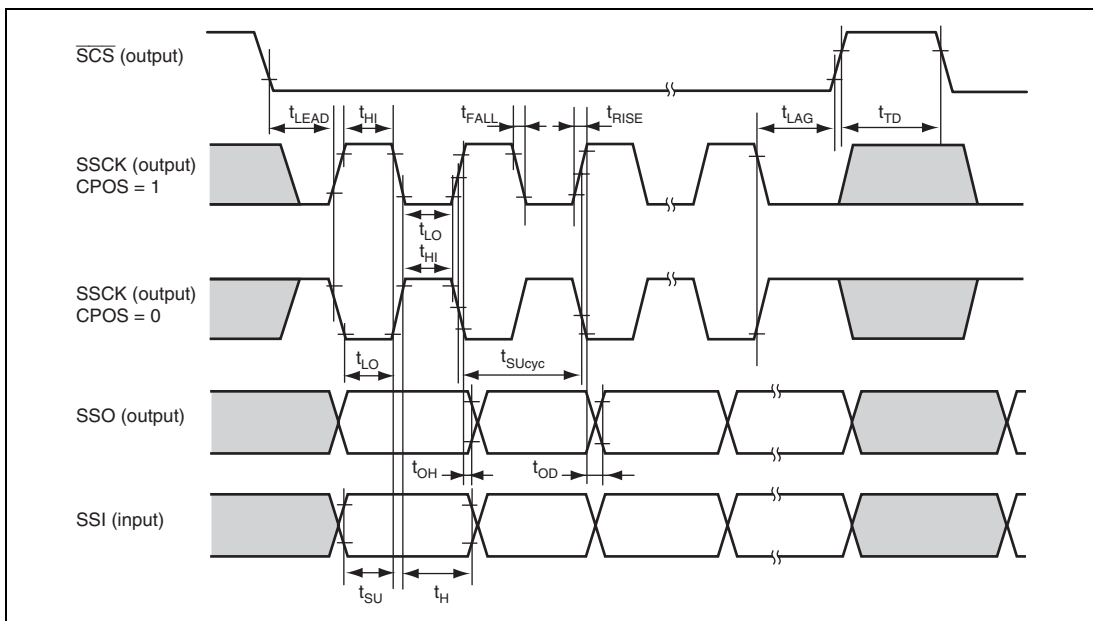


Figure 21.17 SSU Timing (Master, CPHS = 0)

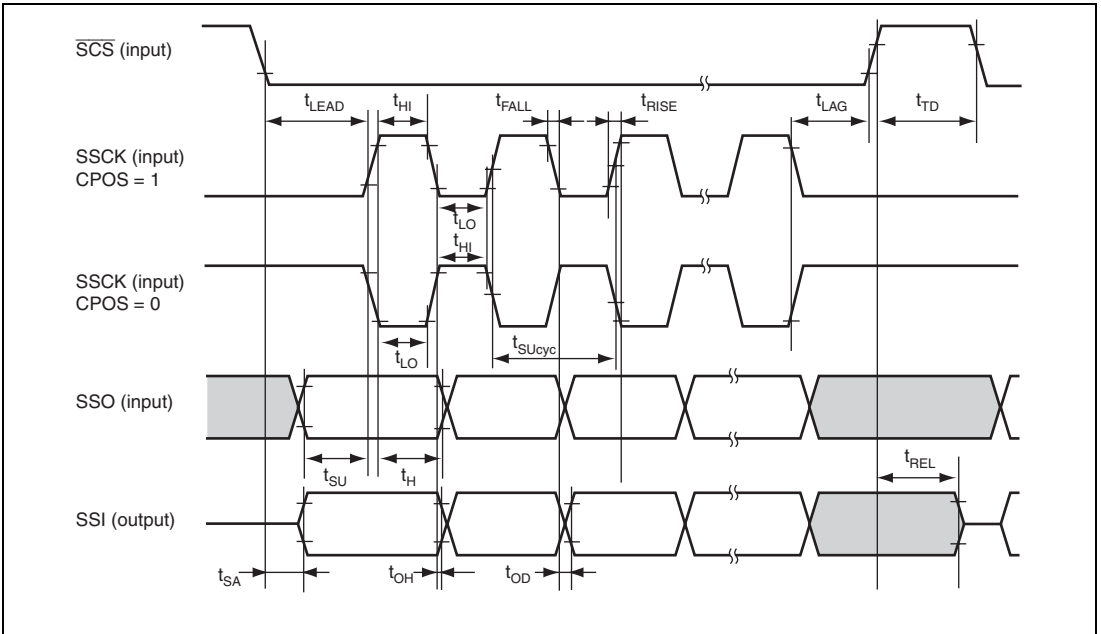


Figure 21.18 SSU Timing (Slave, CPHS = 1)

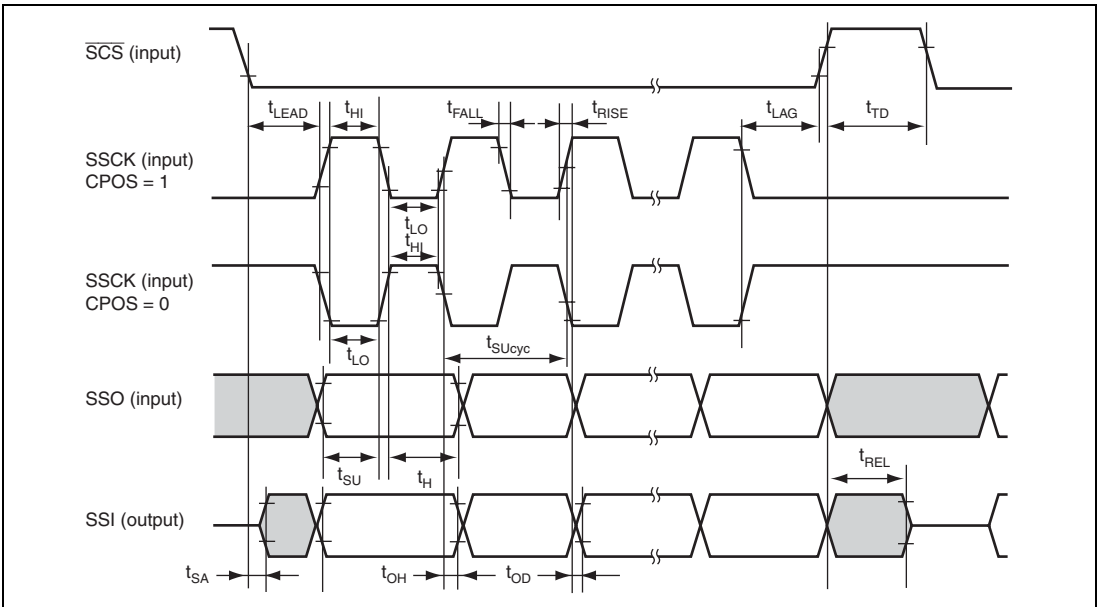


Figure 21.19 SSU Timing (Slave, CPHS = 0)

21.3.4 A/D Conversion Characteristics

Table 21.7 A/D Conversion Characteristics

Conditions: $V_{CC} = 4.5\text{ V to }5.5\text{ V}$, $AV_{CC0} = 4.5\text{ V to }5.5\text{ V}$,
 $AV_{CC1} = 4.5\text{ V to }5.5\text{ V}$, $V_{SS} = AV_{SS} = 0\text{ V}$, $P\phi = 8\text{ to }35\text{ MHz}$,
 $T_a = -20^\circ\text{C to }+85^\circ\text{C}$

Item		Min.	Typ.	Max.	Unit
Conversion time: 5 μs or more	Resolution	10	10	10	Bit
	Conversion time	5.0	—	200	μs
	Analog input capacitance	—	—	20	pF
	Permissible signal source impedance	—	—	5	k Ω
	Nonlinearity error	—	—	± 3.5	LSB
	Offset error	—	—	± 3.5	LSB
	Full-scale error	—	—	± 3.5	LSB
	Quantization error	—	± 0.5	—	LSB
	Absolute accuracy	—	—	± 4.0	LSB
Conversion time: 3.4 μs to 5.0 μs	Resolution	10	10	10	Bit
	Conversion time	3.4	—	5	μs
	Analog input capacitance	—	—	20	pF
	Permissible signal source impedance	—	—	1	k Ω
	Nonlinearity error	—	—	± 3.5	LSB
	Offset error	—	—	± 3.5	LSB
	Full-scale error	—	—	± 3.5	LSB
	Quantization error	—	± 0.5	—	LSB
	Absolute accuracy	—	—	± 4.0	LSB

21.3.5 Flash Memory Characteristics

Table 21.8 Flash Memory Characteristics

Conditions: $V_{CC} = 4.5\text{ V to }5.5\text{ V}$, $AV_{CC0} = 4.5\text{ V to }5.5\text{ V}$, $AV_{CC1} = 4.5\text{ V to }5.5\text{ V}$,
 $V_{SS} = AV_{SS} = 0\text{ V}$, $I\phi = 8\text{ to }48\text{ MHz}$, $P\phi = 8\text{ to }35\text{ MHz}$,
 $T_a = 0^\circ\text{C to }+85^\circ\text{C}$

Item	Symbol	Min.	Typ.	Max.	Unit	Test Condition
Programming time*1*2*4	t_p	—	3	30	ms/128 bytes	
Erase time*1*2*4	t_E	—	80	800	ms/4-kbyte block	
			500	5000	ms/32-kbyte block	
			1000	10000	ms/64-kbyte block	
Programming time (total) *1*2*4	Σt_p	—	5	15	s/256 kbytes	$T_a = 25^\circ\text{C}$, memory filled with 0.
Erase time (total) *1*2*4	Σt_E	—	5	15	s/256 kbytes	$T_a = 25^\circ\text{C}$
Programming/erase time (total) *1*2	Σt_{PE}	—	10	30	s/256 kbytes	$T_a = 25^\circ\text{C}$
Number of programming	N_{WEC}	100*3	—	—	Times	
Data retention time*4	t_{DRP}	10	—	—	Year	

- Notes: 1. Programming time and erase time depend on data in the flash memory.
2. Programming time and erase time do not include time for data transfer.
3. All the characteristics after programming are guaranteed within this value (guaranteed value is from 1 to Min. value).
4. Characteristics when programming is performed within the Min. value

Appendix

A. Port States in Each Pin State

Table A.1 Port States in Each Pin State

Port Name	MCU Operating Mode	Reset	Software Standby Mode
Port 1	All	Hi-Z	Keep
Port 2	All	Hi-Z	Keep
Port 3	All	Hi-Z	Keep
Port 4	All	Hi-Z	Hi-Z
Port 5	All	Hi-Z	Hi-Z
Port 6	All	Hi-Z	Keep
Port A	All	Hi-Z	Keep
Port B	All	Hi-Z	Keep
Port D	All	Hi-Z	Keep
Port H	All	Hi-Z	Keep
Port I	All	Hi-Z	Keep
Port J	All	Hi-Z	Keep
Port K	All	Hi-Z	Keep

B. Product Lineup

Product Classification	Product Model	Marking	Package (Package Code)
H8SX/1582	R5F61582	R5F61582	PLQP0120LA-A (FP-120B)

C. Package Dimensions

For the package dimensions, data in the Renesas IC Package General Catalog has priority.

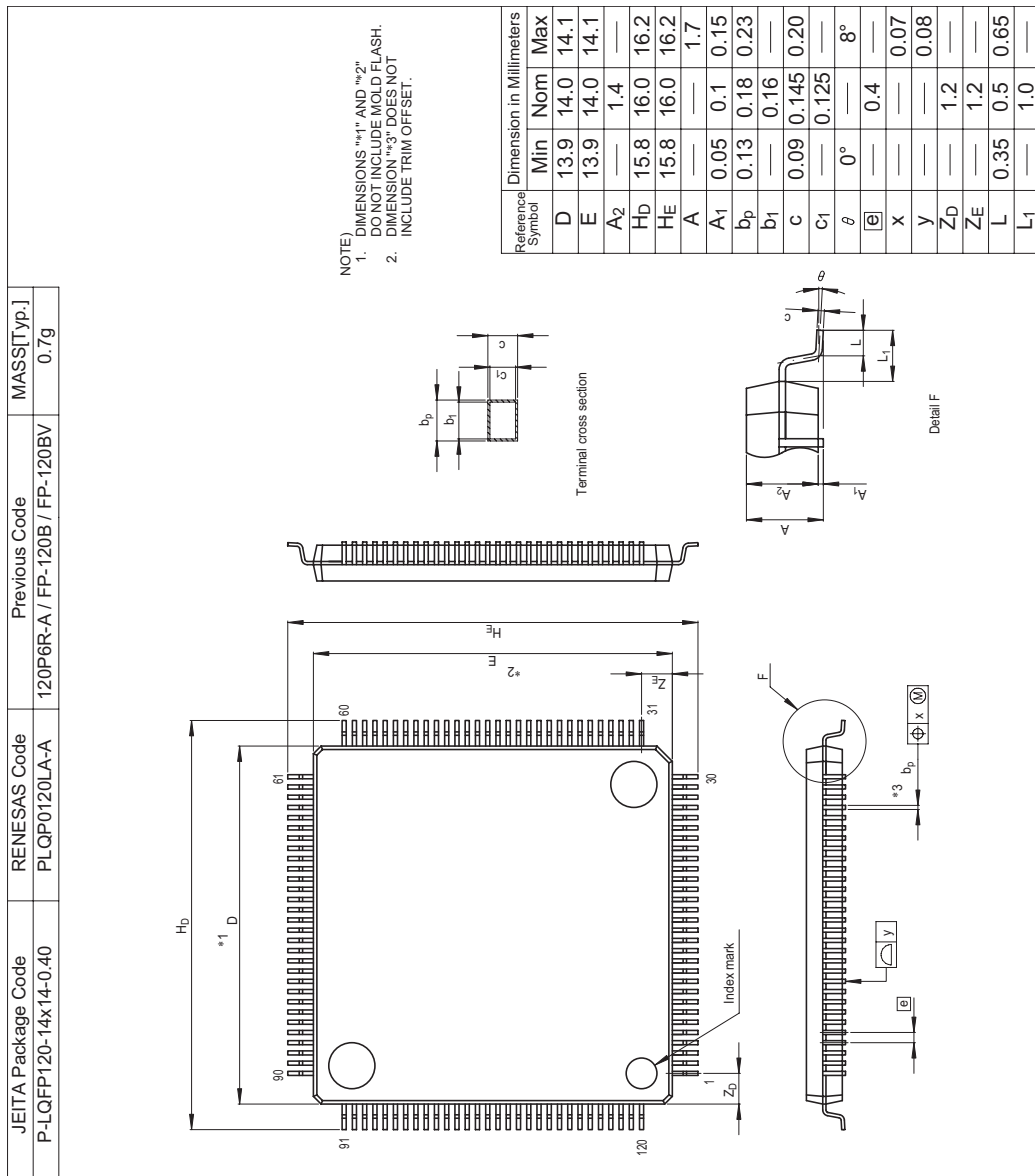


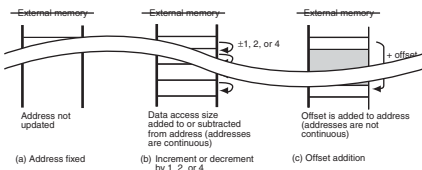
Figure C.1 Package Dimensions (PLQP0120LA-A)

Main Revisions and Additions in this Edition

Item	Page	Revision (See Manual for Details)																								
Section 1 Overview	1	Amended																								
1.1 Features		<ul style="list-style-type: none"> General I/O port 82 input/output ports 																								
		Amended																								
		<ul style="list-style-type: none"> Small package 																								
		<table border="1"> <thead> <tr> <th>Package</th> <th>Code</th> </tr> </thead> <tbody> <tr> <td>LQFP1414-120</td> <td>PLQP0120LA-A (FP-120B)</td> </tr> </tbody> </table>	Package	Code	LQFP1414-120	PLQP0120LA-A (FP-120B)																				
Package	Code																									
LQFP1414-120	PLQP0120LA-A (FP-120B)																									
13.1 Pin Assignments	3	Amended																								
Figure 1.2 Pin Assignments of H8SX/1582		PLQP0120LA-A (FP-120B) (top view)																								
1.3 Pin Assignments	14	Amended																								
1.3.3 Pin Functions		<table border="1"> <thead> <tr> <th>Classification</th> <th>Abbreviation</th> <th>Description</th> </tr> </thead> <tbody> <tr> <td>I/O port</td> <td>PA6</td> <td>7-bit input/output pins.</td> </tr> <tr> <td></td> <td>PA5</td> <td></td> </tr> <tr> <td></td> <td>PA4</td> <td></td> </tr> <tr> <td></td> <td>PA3</td> <td></td> </tr> <tr> <td></td> <td>PA2</td> <td></td> </tr> <tr> <td></td> <td>PA1</td> <td></td> </tr> <tr> <td></td> <td>PA0</td> <td></td> </tr> </tbody> </table>	Classification	Abbreviation	Description	I/O port	PA6	7-bit input/output pins.		PA5			PA4			PA3			PA2			PA1			PA0	
Classification	Abbreviation	Description																								
I/O port	PA6	7-bit input/output pins.																								
	PA5																									
	PA4																									
	PA3																									
	PA2																									
	PA1																									
	PA0																									
Table 1.2 Pin Functions																										
Section 3 MCU Operating Modes	65	Deleted																								
3.2.2 System Control Register (SYSCR)		SYSCR controls MAC saturation operation, selects bus with mode for instruction fetch, and enables/disables the on-chip RAM and the flash memory control registers.																								
3.4.1 Address Map (Advanced Mode)	68	Amended																								
		<p>The diagram illustrates the memory map for the Advanced Mode. It shows three main regions: On-chip ROM (256 kbytes) located between addresses H'040000 and H'FF9000, a Reserved area, and On-chip RAM (12 kbytes) located below the reserved area, starting at H'FF9000.</p>																								

Item	Page	Revision (See Manual for Details)
Section 4 Exception Handling	81	Amended
4.9 Usage Note		TRAPA instruction executed
5.3.3 Interrupt Priority Registers A to G, I, K to O, and R (IPRA to IPRG, IPRI, IPRK to IPRO, and IPRR)	89	Deleted 5.3.3 Interrupt Priority Registers A to G, I, K to O, Q , and R (IPRA to IPRG, IPRI, IPRK to IPRO, IPRQ , and IPRR)
5.5 Interrupt Exception Handling Vector Table	107, 108	Amended
Table 5.2 Interrupt Sources, Vector Address Offsets, and Interrupt Priority		
5.6.5 DTC and DMAC Activation by Interrupt (1) Selection of Interrupt Sources	116	Added <p>...When transfer by an on-chip module interrupt is enabled (DTF1 = 1, DTF0 = 0, and DTE = 1 in DMDR) and the DTA bit in DMDR is set to 1, ...</p> <p>...an interrupt request is made to the CPU by clearing the DTCE bit to 0 after the DTC and DMAC data transfer.</p> <p>When the same interrupt source is set as both the DTC and DMAC activation source and CPU interrupt source, the DTC and DMAC must be given priority over the CPU. ...Therefore, the CPUP setting or the IPR setting corresponding to the interrupt source must be set to lower than or equal to the DTCP and DMAP settings. If the CPU is given priority, the DTC and DMAC may not be activated and the data transfer may be performed.</p>

Item	Page	Revision (See Manual for Details)																																
(3) Operation Order	117	<p>Added</p> <p>Table 5.6 lists the selection of DMAC activation sources and the selection of interrupt sources and interrupt source clear control by means of the setting of the DTA bit in DMDR of the DMAC...</p> <p>Amended</p> <table border="1"> <thead> <tr> <th rowspan="2">DMAC Setting</th> <th colspan="2">DTC Setting</th> <th colspan="3">Interrupt Source Selection/ Clear Control</th> </tr> <tr> <th>DTCE</th> <th>DISSEL</th> <th>DMAC</th> <th>DTC</th> <th>CPU</th> </tr> </thead> <tbody> <tr> <td rowspan="3">0</td> <td>0</td> <td>*</td> <td>○</td> <td>X</td> <td>√</td> </tr> <tr> <td rowspan="2">1</td> <td>0</td> <td>○</td> <td>√</td> <td>X</td> </tr> <tr> <td>1</td> <td>○</td> <td>○</td> <td>√</td> </tr> <tr> <td>1</td> <td>*</td> <td>*</td> <td>√</td> <td>X</td> <td>X</td> </tr> </tbody> </table>	DMAC Setting	DTC Setting		Interrupt Source Selection/ Clear Control			DTCE	DISSEL	DMAC	DTC	CPU	0	0	*	○	X	√	1	0	○	√	X	1	○	○	√	1	*	*	√	X	X
DMAC Setting	DTC Setting			Interrupt Source Selection/ Clear Control																														
	DTCE	DISSEL	DMAC	DTC	CPU																													
0	0	*	○	X	√																													
	1	0	○	√	X																													
		1	○	○	√																													
1	*	*	√	X	X																													
(4) Usage Note	117	<p>Added</p> <p>The interrupt sources of the SCI, A/D converter, and SSU are cleared according to the setting...</p> <p>To initiate multiple channels for the DTC and DMAC with the same interrupt, the same priority (DTCP = DMAP) should be assigned.</p>																																
5.8.6 Interrupt Flags of Peripheral Modules	123	<p>Amended</p> <p>To clear an interrupt request flag of a peripheral module by the CPU, the flag must be read from after being cleared within the interrupt handling routine even if the peripheral module clock is not generated by dividing the system clock. This makes the request signal synchronized with the system clock.</p>																																
6.6.1 Write Data Buffer Function for Peripheral Module	130	<p>6.6.1 Write Data Buffer Function for Peripheral Module</p> <p>This LSI has a write data buffer function for the peripheral module.</p> <p>..., if a peripheral module write continues for two cycles or longer, and there is an internal access next, only the peripheral module write is executed in the first two cycles.</p>																																

Item	Page	Revision (See Manual for Details)
Section 7 DMA Controller (DMAC)	151	Amended
7.2.6 DMA Mode Control Register (DMDR)		Data Transfer Acknowledge
<ul style="list-style-type: none"> Bit 5 		<p>This bit is valid while the DMA transfer is performed by the on-chip module interrupt. This bit decides whether the source flag selected by DMRSR is cleared or not.</p> <p>0: The source flag is not cleared while the DMA transfer is performed by the on-chip module interrupt. Since the source flag is not cleared by the DMA transfer, it should be cleared by the CPU.</p> <p>1: The source flag is cleared while the DMA transfer is performed by the on-chip module interrupt. Since the source flag is cleared by the DMA transfer, there is no need to request an interrupt to the CPU.</p>
7.4.2 Transfer Modes	165	Deleted
(1) Normal Transfer Mode		The \overline{TEND} signal is output only in the last DMA transfer. The \overline{DACK} signal is output every time a transfer request is received and a transfer starts.
(2) Repeat Transfer Mode	166	Amended
		The \overline{TEND} and \overline{DACK} signals are is output only in the last DMA
7.4.3 Activation Sources	169	Added
(2) Activation by On-Chip Module Interrupt		<p>The interrupt request selected as an activation source can simultaneously generate interrupt requests to the CPU. For details, see section 5, Interrupt Controller.</p> <p>When the DMAC is activated with $DTA = 1$, the interrupt request flag is automatically cleared by a DMA transfer.</p> <p>When the DMAC is activated with $DTA = 0$, the interrupt request flag is not cleared by the DMAC. Thus it should be cleared by the CPU.</p>
7.4.6 Address Update Function using Offset	175	Amended
7.4.6 Address Update Function using Offset		 <p>(a) Address fixed</p> <p>(b) Increment or decrement by 1, 2, or 4</p> <p>(c) Offset addition</p>
7.4.9 DMA Basic Bus Cycle	185	Amended
		HHWR, HLWR, LHWR

Item

Page Revision (See Manual for Details)

Section 8 Data Transfer Controller (DTC) 221, 222

Deleted

Table 8.1 Interrupt Sources, DTC Vector Addresses, and Corresponding DTCEs

Origin of Activation Source	Activation Source	Vector Number	DTC Vector Address Offset	DTCE*1
TPU_5	TGI5A	110	H'5B8	DTCEC15
	TGI5B	111	H'5BC	DTCEC14
TMR_0	CMIA0	116	H'5D0	DTCEC13
	CMIB0	117	H'5D4	DTCEC12
TMR_1	CMIA1	119	H'5DC	DTCEC11
	CMIB1	120	H'5E0	DTCEC10
TMR_2	CMIA2	122	H'5E8	DTCEC9
	CMIB2	123	H'5EC	DTCEC8
TMR_3	CMIA3	125	H'5F4	DTCEC7
	CMIB3	126	H'5F8	DTCEC6
DMAC	DMTEND0	128	H'600	DTCEC5
TPU_11	TGI11A or reserved for system use	188	H'6F0	DTCEF10
	TGI11B or reserved for system use	189	H'6F4	DTCEF9
SCL_5	RXI5	193	H'704	DTCEF7
	TXI5	194	H'708	DTCEF6

Section 9 I/O Ports 249
9.1 Register Descriptions

Amended

Port	Number of Pins
Port 6	8
Port A	8

9.1.5 Pull-Up MOS Control Register (PnPCR) (n = D, H, J, and K) 253

Amended

Table 9.3 Input Pull-Up MOS State

Port	Pin State	Reset	Software Standby Mode
Port D	On-chip peripheral module output	OFF	OFF
	Port input	OFF	ON/OFF
Port H	Port output	OFF	OFF
	Port input	OFF	ON/OFF
Port J	On-chip peripheral module output	OFF	OFF
	Port input	OFF	ON/OFF
Port K	On-chip peripheral module output	OFF	OFF
	Port input	OFF	ON/OFF

Item	Page	Revision (See Manual for Details)
Section 14 Synchronous Serial Communication Unit (SSU)	492	Amended
14.3.5 SS Status Register (SSSR)	494	(When the CPU is used to clear this flag by writing 0 while the corresponding interrupt is enabled, be sure to read the flag after writing 0 to it.)
• Bit 6, 3 to 0		
14.3.7 SS Transmit Data Registers 0 to 3 (SSTDR0 to SSTDR3)	496	Added Be sure not to access invalid SSTDRs.
Table 14.2 Correspondence Between DATS Bit Setting and SSTDR	497	Added
14.3.8 SS Receive Data Registers 0 to 3 (SSRDR0 to SSRDR3)	198	Added Be sure not to access invalid SSRDRs
Table 14.3 Correspondence Between DATS Bit Setting and SSRDR	499	Added
14.4.5 SSU Mode	503	Amended
Table 14.5 Communication Modes and Pin States of SSCK Pin		[Legend] —: Not used as SSU pin (can be used as I/O port)
Table 14.6 Communication Modes and Pin States of $\overline{\text{SCS}}$ Pin		
Figure 14.4 Example of Initial Settings in SSU Mode	504	Amended

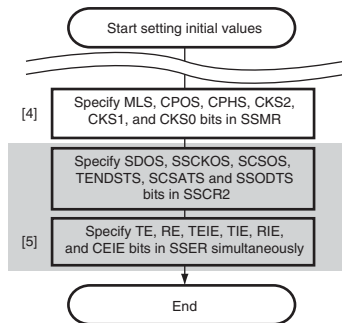


Figure 14.6 Flowchart Example of Data Transmission (SSU Mode) 507 Deleted

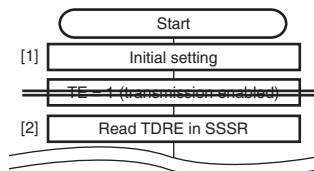


Figure 14.8 Flowchart Example of 510 Deleted
Data Reception (SSU Mode)

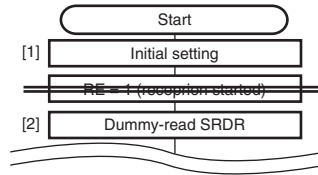
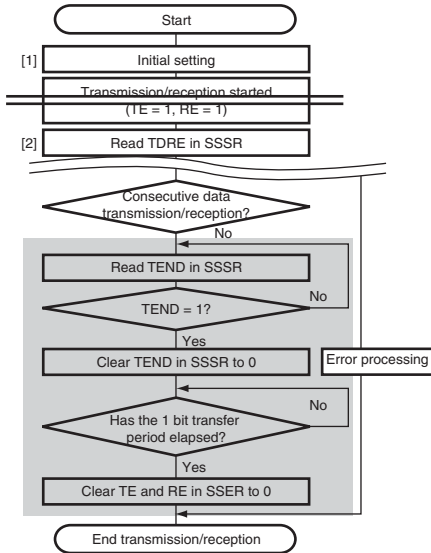


Figure 14.9 Flowchart Example of 511 Amended
Simultaneous
Transmission/Reception (SSU
Mode)



14.4.6 \overline{SCS} Pin Control and
Conflict Error

512 Amended

...the \overline{SCS} pin functions as an input (Hi-Z) to detect a conflict error.

Figure 14.10 Conflict Error
Detection Timing (Before
Transfer)

512 Amended

Conflict error detection period

Figure 14.11 Conflict Error
Detection Timing (After Transfer
End)

Item

Page Revision (See Manual for Details)

14.4.7 Clock Synchronous Communication Mode

513 Amended

Figure 14.12 Example of Initial Settings in Clock Synchronous Communication Mode

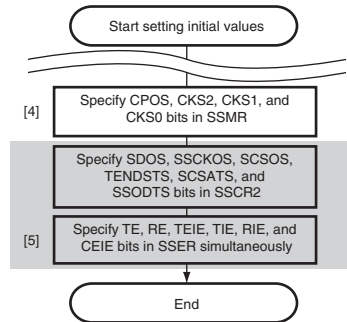


Figure 14.14 Flowchart Example of Transmission Operation

515 Deleted

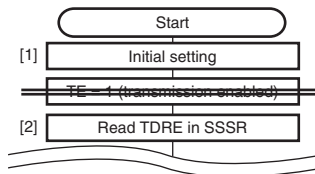


Figure 14.16 Flowchart Example of Data Reception

517 Deleted

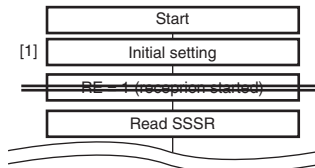
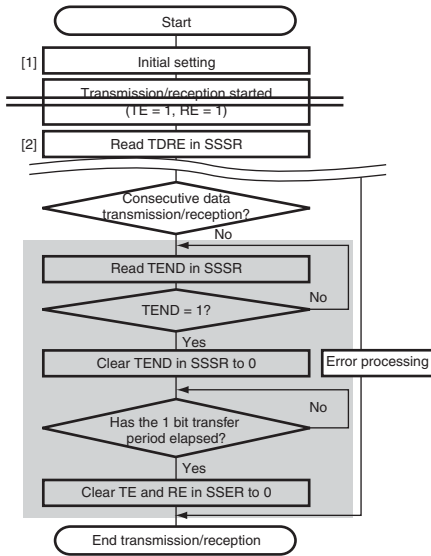


Figure 14.17 Flowchart Example of Simultaneous Transmission/Reception

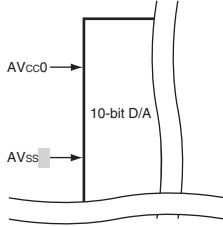
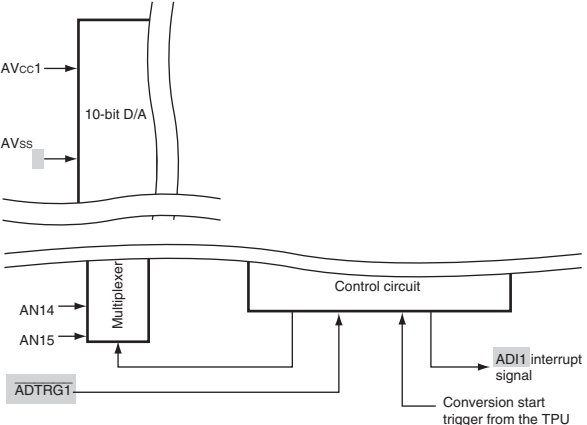


14.5 Interrupt Requests 519 Deleted

When an interrupt condition shown in table 14.7 is satisfied, an interrupt is requested. Clear the interrupt source by CPU, DTC, or DMAC data transfer.

Table 14.5 Interrupt Sources 519 Amended

Channel	Abbreviation	Interrupt Source	DTC Activation
0	SSERI0	Overrun error	—
		Conflict error	—
	SSRXI0	Receive data register full	—
	SSTXI0	Transmit data register empty	—
		Transmit end	—
1	SSERI1	Overrun error	—
		Conflict error	—
	SSRXI1	Receive data register full	—
	SSTXI1	Transmit data register empty	—
		Transmit end	—
2	SSERI2	Overrun error	—
		Conflict error	—
	SSRXI2	Receive data register full	—
	SSTXI2	Transmit data register empty	—
		Transmit end	—

Item	Page	Revision (See Manual for Details)
Section 15 A/D Converter	521	Amended
15.1 Features		Conversion time: 3.4 μ s per channel (at 35-MHz operation)
Figure 15.1 Block Diagram of A/D Converter (Unit 0/AD_0)	522	Amended
		
Figure 15.2 Block Diagram of A/D Converter (Unit 1/AD_1)	523	Amended
		
15.3.2 A/D Control/Status Register (ADCSR)	527	Added
<ul style="list-style-type: none"> Bit 7 		(When the CPU is used to clear this flag by writing 0 while the corresponding interrupt is enabled, be sure to read the flag after writing 0 to it.)
15.3.2 A/D Control/Status Register (ADCSR)	527	Amended
<ul style="list-style-type: none"> Bit 5 		In scan mode, A/D conversion continues sequentially on the specified channels until this bit is cleared to 0 by software or a reset.
15.8.6 Notes on Noise Countermeasures	543	Amended
		AN0 to AN15

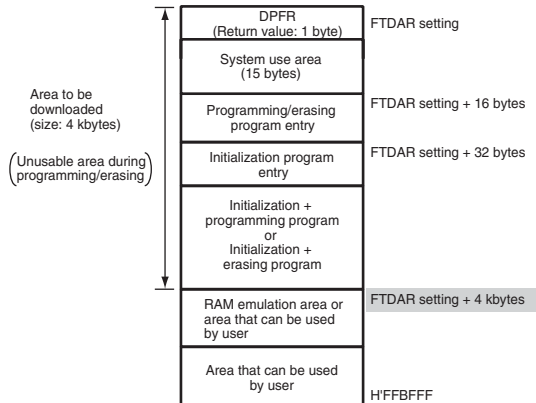
Item	Page	Revision (See Manual for Details)														
Section 16 RAM	545	Amended														
<table border="1"> <thead> <tr> <th>Product Classification</th> <th>RAM Size</th> <th>RAM Addresses</th> </tr> </thead> <tbody> <tr> <td>Flash memory version</td> <td>H8SX/1582</td> <td>12 kbytes</td> </tr> <tr> <td></td> <td></td> <td>H'FF9000 to H'FFBFFF</td> </tr> </tbody> </table>			Product Classification	RAM Size	RAM Addresses	Flash memory version	H8SX/1582	12 kbytes			H'FF9000 to H'FFBFFF					
Product Classification	RAM Size	RAM Addresses														
Flash memory version	H8SX/1582	12 kbytes														
		H'FF9000 to H'FFBFFF														
Section 17 Flash Memory (0.18- μ m F-ZTAT Version)	547	Amended														
<p>Programming/erasing time</p> <p>Programming time: 3 ms (typ) for 128-byte simultaneous programming, 23.4 μs per byte</p> <p>Erasing time: 1000 ms (typ) per 1 block (64 kbytes)</p> <p>Number of programming</p> <p>The number of programming can be up to 100 times at the minimum. (1 to 100 times are guaranteed.)</p>																
17.2 Mode Transition Diagram	549	Added														
Figure 17.2 Mode Transition of Flash Memory	<p>Notes: In this LSI, the user program mode is defined as the period from the timing when a program concerning programming and erasure is started in user mode to the timing when the program is completed.</p> <ol style="list-style-type: none"> 1. Programming and erasure is started. 2. Programming and erasure is completed. 															
17.7.1 Programming/Erasing Interface Registers (4) Flash Key Code Register (FKEY)	560	Amended														
<p>H'5A: Programming/erasing of the flash memory is enabled. (When FKEY is a value other than H'5A, the software protection state is entered.)</p>																
17.7.2 Programming/Erasing Interface Parameters Table 17.4 Parameters and Target Modes	563	Amended														
<table border="1"> <thead> <tr> <th>Parameter</th> <th>Download</th> </tr> </thead> <tbody> <tr> <td>DPFR</td> <td>0</td> </tr> <tr> <td>FPFR</td> <td>—</td> </tr> <tr> <td>FPEFEQ</td> <td>—</td> </tr> <tr> <td>FMPAR</td> <td>—</td> </tr> <tr> <td>FMPDR</td> <td>—</td> </tr> <tr> <td>FEBS</td> <td>—</td> </tr> </tbody> </table>			Parameter	Download	DPFR	0	FPFR	—	FPEFEQ	—	FMPAR	—	FMPDR	—	FEBS	—
Parameter	Download															
DPFR	0															
FPFR	—															
FPEFEQ	—															
FMPAR	—															
FMPDR	—															
FEBS	—															

Item	Page	Revision (See Manual for Details)
17.7.2 Programming/Erasing Interface Parameters (b) Programming	568	Amended Checks the FKEY value (H'5A) before erasure starts, and returns the result.
• Bit 4		
17.7.2 Programming/Erasing Interface Parameters (c) Erasure	570	Amended Checks the FKEY value (H'5A) before erasure starts, and returns the result.
• Bit 4		
(3) Flash Program/Erase Frequency Parameter (FPEFEQ: General Register ER0 of CPU)	570	FPEFEQ sets the operating frequency of the CPU. The CPU operating frequency available in this LSI ranges from 8 MHz to 48 MHz.
(6) Flash Erase Block Select Parameter (FEBS: General Register ER0 of CPU)	574	Amended FEBS specifies the erase block number. Settable values for the erase block numbers range from 0 to 11 (H'00000000 to H'0000000B). A value of 0 corresponds to block EB0 and a value of 11 corresponds to block EB11. An error occurs when a value outside the range (from 0 to 11) is set.

17.8.2 User Program Mode 581 Amended

(1) On-Chip RAM Address Map when Programming/Erasing is Executed

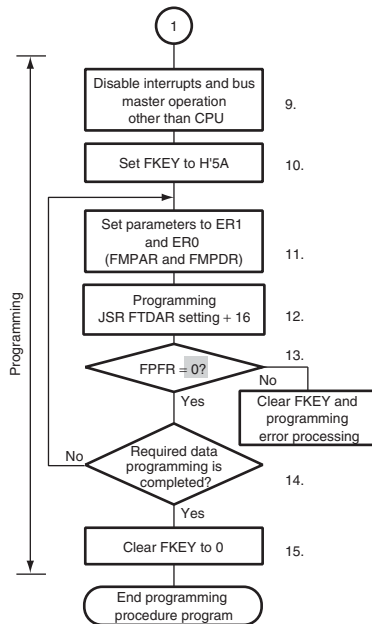
Figure 17.10 RAM Map when Programming/Erasing is Executed



(2) Programming Procedure in
User Program Mode

582 Amended

Figure 17.11 Programming
Procedure in User Program Mode



(2) Programming Procedure in
User Program Mode

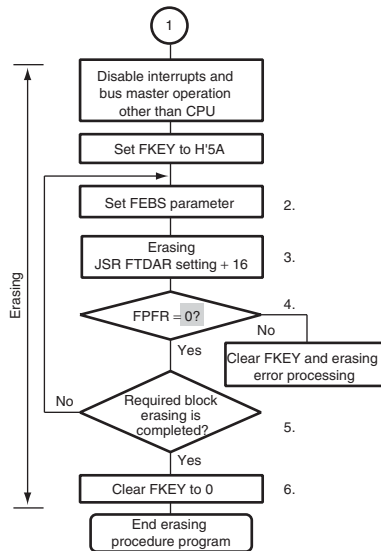
583 Amended

The area that can be executed in the steps of the procedure program (on-chip RAM and user MAT₇ and ~~external space~~) is shown in section 17.8.4, On-Chip Program and Storable Area for Program Data.

Item	Page	Revision (See Manual for Details)
(2) Programming Procedure in User Program Mode	584, 585, 586	Amended
	7.	<p>Initialization is executed. The initialization program is downloaded together with the programming program to the on-chip RAM. The entry point of the initialization program is at the address which is 32 bytes after #DLTOP (start address of the download destination specified by FTDAR). Call the subroutine to execute initialization by using the following steps.</p> <ul style="list-style-type: none"> — The general registers other than ER0 and ER1 are held in the initialization program.
	12.	<p>Programming is executed. The entry point of the programming program is at the address which is 16 bytes after #DLTOP (start address of the download destination specified by FTDAR). Call the subroutine to execute programming by using the following steps.</p> <ul style="list-style-type: none"> — The general registers other than ER0 and ER1 are held in the programming program.

(3) Erasing Procedure in User Program Mode 587 Amended

Figure 17.12 Erasing Procedure in User Program Mode

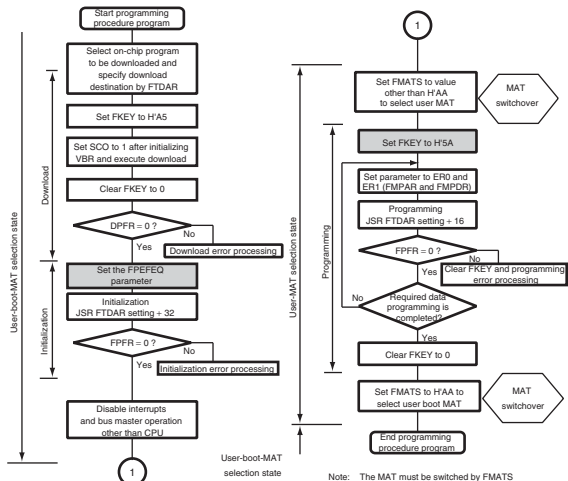


Item	Page	Revision (See Manual for Details)
(3) Erasing Procedure in User Program Mode	588	<p data-bbox="524 140 629 167">Amended</p> <p data-bbox="524 180 1102 300">The area that can be executed in the steps of the procedure program (on-chip RAM and user MAT, and external space) is shown in section 17.8.4, On-Chip Program and Storable Area for Program Data.</p>
	588	<p data-bbox="524 308 629 335">Amended</p> <p data-bbox="524 347 1118 523">3. Erasure is executed. As in programming, the entry point of the erasing program is at the address which is 16 bytes after #DLTOP (start address of the download destination specified by FTDAR). Call the subroutine to execute erasure by using the following steps.</p> <ul data-bbox="563 536 1102 598" style="list-style-type: none"> — The general registers other than ER0 and ER1 are held in the erasing program.
(4) Procedure of Erasing, Programming, and RAM Emulation in User Program Mode	590	<p data-bbox="524 611 629 638">Amended</p> <ul data-bbox="524 651 1118 959" style="list-style-type: none"> • Be sure to initialize both the programming program and erasing program. When the FPEFEQ parameter is initialized, also initialize both the erasing program and programming program. Initialization must be executed for both entry addresses: 32 bytes after #DLTOP (start address of download destination for erasing program), and 32 bytes after #DLTOP (start address of download destination for programming program).

17.8.3 User Boot Mode

591 Amended

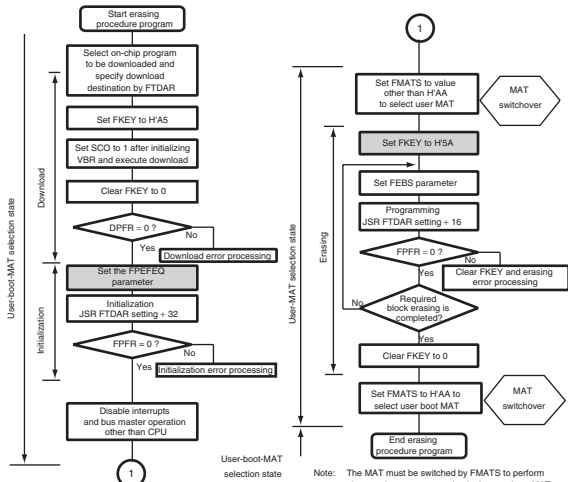
Figure 17.14 Procedure for Programming User MAT in User Boot Mode



Note: The MAT must be switched by FMATS to perform the programming error processing in the user boot MAT.

Figure 17.15 Procedure for Erasing User MAT in User Boot Mode

593 Amended



Note: The MAT must be switched by FMATS to perform the erasing error processing in the user boot MAT.

Item	Page	Revision (See Manual for Details)																		
17.11 Switching between User MAT and User Boot MAT Figure 17.20 Switching between User MAT and User Boot MAT	606	Added Procedure for switching to the user boot MAT 2. Write H'AA to FMATS*. Procedure for switching to the user MAT 2. Write other than H'AA to FMATS*. Note: * Set the FLSHE bit in the system control register (SYSCR) to 1 when making access to FMATS.																		
17.13 Standard Serial Communication Interface Specifications for Boot Mode (4) Receive Data Check (8) Programming/Erasing State	620 624	Deleted 3. Operating frequency error Amended																		
		<table border="1"> <thead> <tr> <th>Command</th> <th>Command Name</th> <th>Description</th> </tr> </thead> <tbody> <tr> <td>H'4C</td> <td>User boot MAT blank check</td> <td>Checks the blank data of the user boot MAT</td> </tr> <tr> <td>H'4D</td> <td>User MAT blank check</td> <td>Checks the blank data of the user MAT</td> </tr> <tr> <td>H'4C</td> <td>User boot MAT blank check</td> <td>Checks whether the contents of the user boot MAT are blank</td> </tr> <tr> <td>H'4D</td> <td>User MAT blank check</td> <td>Checks whether the contents of the user MAT are blank</td> </tr> <tr> <td>H'4F</td> <td>Boot program status inquiry</td> <td>Inquires into the boot program's status</td> </tr> </tbody> </table>	Command	Command Name	Description	H'4C	User boot MAT blank check	Checks the blank data of the user boot MAT	H'4D	User MAT blank check	Checks the blank data of the user MAT	H'4C	User boot MAT blank check	Checks whether the contents of the user boot MAT are blank	H'4D	User MAT blank check	Checks whether the contents of the user MAT are blank	H'4F	Boot program status inquiry	Inquires into the boot program's status
Command	Command Name	Description																		
H'4C	User boot MAT blank check	Checks the blank data of the user boot MAT																		
H'4D	User MAT blank check	Checks the blank data of the user MAT																		
H'4C	User boot MAT blank check	Checks whether the contents of the user boot MAT are blank																		
H'4D	User MAT blank check	Checks whether the contents of the user MAT are blank																		
H'4F	Boot program status inquiry	Inquires into the boot program's status																		
17.14 Usage Notes	636, 637	Added 10. To program the flash memory, the program data and program must be allocated to addresses which are higher than those of the external interrupt vector table and H'FF must be written to all the system reserved areas in the exception handling vector table. 11. The programming program that includes the initialization routine and the erasing program that includes the initialization routine are each 4 kbytes or less. Accordingly, when the CPU clock frequency is 48 MHz, the download for each program takes approximately 35 ms at the maximum. 15. The contents of some general registers are not saved in a programming/ programming end/erasing program. When needed, save general registers in the procedure program.																		

Item	Page	Revision (See Manual for Details)						
Section 18 Clock Pulse Generator	641	Amended						
18.1 Register Description		SCKCR controls $B\phi$ clock output and frequencies of the system, peripheral module, and external clocks, and selects the $B\phi$ clock to be output.						
18.1.1 System Clock Control Register (SCKCR)		<table border="1"> <thead> <tr> <th>Bit</th> <th>Bit Name</th> <th>Description</th> </tr> </thead> <tbody> <tr> <td>15</td> <td>PSTOP1</td> <td> $B\phi$ Clock Output Enable Controls $B\phi$ output on PA7. <ul style="list-style-type: none"> Normal operation 0: $B\phi$ output 1: Fixed high <ul style="list-style-type: none"> Software standby mode X: Fixed high <ul style="list-style-type: none"> Hardware standby mode X: Hi-Z </td> </tr> </tbody> </table>	Bit	Bit Name	Description	15	PSTOP1	$B\phi$ Clock Output Enable Controls $B\phi$ output on PA7. <ul style="list-style-type: none"> Normal operation 0: $B\phi$ output 1: Fixed high <ul style="list-style-type: none"> Software standby mode X: Fixed high <ul style="list-style-type: none"> Hardware standby mode X: Hi-Z
Bit	Bit Name	Description						
15	PSTOP1	$B\phi$ Clock Output Enable Controls $B\phi$ output on PA7. <ul style="list-style-type: none"> Normal operation 0: $B\phi$ output 1: Fixed high <ul style="list-style-type: none"> Software standby mode X: Fixed high <ul style="list-style-type: none"> Hardware standby mode X: Hi-Z						
18.5 Usage Notes	645	Deleted						
18.5.1 Notes on Clock Pulse Generator		5. When $I\phi > P\phi$ is specified by SCKCR, signals from the peripheral modules must be synchronized with the system clock. When CPU instructions are used to clear the interrupt source flag of a peripheral module, the flag must be read after being cleared to 0.						

Section 19 Power-Down Modes
 19.2 Register Descriptions

 651 Amended
 to
 653

Bit	15	14	13	12	11	10	9	8
Bit Name	SSBY	—	—	STS4	STS3	STS2	STS1	STS0
Initial Value	0	1	0	0	1	1	1	1
R/W	R/W	R/W	R/W	R/W	R/W	R/W	R/W	R/W

Bit	7	6	5	4	3	2	1	0
Bit Name	—	—	—	—	—	—	—	—
Initial Value	0	0	0	0	0	0	0	0
R/W	R/W	R/W	R/W	R/W	R/W	R/W	R/W	R/W

Bit	Bit Name	Initial Value	R/W
15	SSBY	0	R/W
14	—	1	R/W
13	—	0	R/W
12	STS4	0	R/W
11	STS3	1	R/W
10	STS2	1	R/W
9	STS1	1	R/W
8	STS0	1	R/W

Added

Bit	Bit Name	Initial Value	R/W	Description
7 to 0	—	All 0	R/W	ReservedThese bits are always read as 0. The write value should always be 0.

 19.7.4 Software Standby Mode
 Application Example

 661 Amended
 I ϕ

 Section 20 List of Registers
 20.1 Register Addresses (Address Order)

669 Added

Register Name	Abbr.	Number of Bits	Address*	Module	Data Width	Access Cycles (Read/Write)
Port A data direction register	PADDR	8	H'FFB89	I/O port	8	2P ψ /2P ϕ
Port B data direction register	PBDDR	8	H'FFB8A	I/O port	8	2P ψ /2P ϕ
Port D data direction register	PDDDR	8	H'FFB8C	I/O port	8	2P ψ /2P ϕ

Register Name	Abbr.	Number of Bits	Address*	Module	Data Width	Access Cycles (Read/Write)
Port A input buffer control register	PAICR	8	H'FFB99	I/O port	8	2P _q /2P _w
Port B input buffer control register	PBICR	8	H'FFB9A	I/O port	8	2P _q /2P _w
Port D input buffer control register	PDICR	8	H'FFB9C	I/O port	8	2P _q /2P _w

Port H data direction register	PHDDR	8	H'FFBA8	I/O port	8	2P _q /2P _w
Port I data direction register	PIDDR	8	H'FFBA9	I/O port	8	2P _q /2P _w
Port J data direction register	PJDDR	8	H'FFBAA	I/O port	8	2P _q /2P _w

Port H input buffer control register	PHICR	8	H'FFBAC	I/O port	8	2P _q /2P _w
Port I input buffer control register	PIICR	8	H'FFBAD	I/O port	8	2P _q /2P _w
Port J input buffer control register	PJICR	8	H'FFBAE	I/O port	8	2P _q /2P _w

Port H pull-up MOS control register	PHPCR	8	H'FFBB8	I/O port	8	2P _q /2P _w
Port I pull-up MOS control register	PIPCR	8	H'FFBB9	I/O port	8	2P _q /2P _w
Port J pull-up MOS control register	PJPCR	8	H'FFBBA	I/O port	8	2P _q /2P _w

Register Name	Abbr.	Number of Bits
Standby control register	SBYCR	16

20.2 Register Bits

683 Added

Register	Bit 31/ Abbreviation	Bit 30/ 22/14/6	Bit 29/ 21/13/5	Bit 28/ 20/12/4	Bit 27/ 19/11/3	Bit 26/ 18/10/2	Bit 25/ 17/9/1	Bit 24/ 16/8/0	Module
PORTH	PH7	PH6	PH5	PH4	PH3	PH2	PH1	PH0	I/O Ports
PORTI	PI7	PI6	PI5	PI4	PI3	PI2	PI1	PI0	
PORTJ	PJ7	PJ6	PJ5	PJ4	PJ3	PJ2	PJ1	PJ0	

689 Amended

Register	Bit 31/ Abbreviation	Bit 30/ 22/14/6	Bit 29/ 21/13/5	Bit 28/ 20/12/4	Bit 27/ 19/11/3	Bit 26/ 18/10/2	Bit 25/ 17/9/1	Bit 24/ 16/8/0	Module
SYSCR	—	—	MACS	—	—	—	—	RAME	SYSTEM
	FLSHE	—	—	—	—	—	DTCMD	—	
SCKCR	PSTOP1	—	POSEL1	—	—	ICK2	ICK1	ICK0	
	—	PCK2	PCK1	PCK0	—	BCK2	BCK1	BCK0	
SBYCR	SSBY	—	—	STS4	STS3	STS2	STS1	STS0	
	—	—	—	—	—	—	—	—	

Section 21 Electrical Characteristics

21.1 Absolute Maximum Ratings

Table 21.1 Absolute Maximum Ratings

705 Amended

Item	Symbol	Value	Unit
Operating temperature	T_{opr}	Regular specifications: -20 to +75* Wide-range specifications: -40 to +85*	°C

Note: * The operating temperature when programming/erasing the flash memory ranges from 0°C to +85°C for ~~regular specification products and from 0°C to +85°C for wide-range specification products.~~

21.2 DC Characteristics

Table 21.2 DC Characteristics (2)

707 Amended

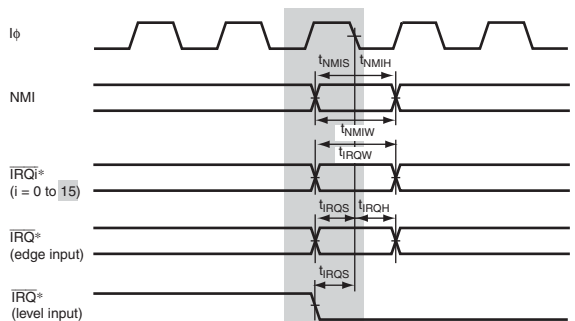
- Notes: 4. I_{cc} depends on V_{cc} and f as follows:
- $$I_{cc\max} = 12 \text{ (mA)} + 0.35 \text{ (mA/(MHz} \times \text{V))} \times V_{cc} \times f \text{ (normal operation)}$$
- $$I_{cc\max} = 12 \text{ (mA)} + 0.28 \text{ (mA/(MHz} \times \text{V))} \times V_{cc} \times f \text{ (sleep mode)}$$

Item	Page	Revision (See Manual for Details)
21.2 DC Characteristics	706	Amended
Table 21.2 DC Characteristics (1)	to	Conditions: $V_{CC} = 4.5\text{ V to }5.5\text{ V}$, $AV_{CC0} = 4.5\text{ V to }5.5\text{ V}$, $AV_{CC1} = 4.5\text{ V to }5.5\text{ V}$, $V_{SS} = AV_{SS} = 0\text{ V}^*$, $T_a = -20^\circ\text{C to }+85^\circ\text{C}$ (regular specifications), $T_a = -40^\circ\text{C to }+85^\circ\text{C}$ (wide range specifications)
Table 21.2 DC Characteristics (2)	709,	
Table 21.3 Permissible Output Currents	711,	
Table 21.4 Clock Timing	712,	
Table 21.5 Control Signal Timing	714,	
Table 21.6 Timing of On-Chip Peripheral Modules (1)	719,	
Table 21.6 Timing of On-Chip Peripheral Modules (2)	720	
Table 21.7 A/D Conversion Characteristics		
Table 21.8 Flash Memory Characteristics		
Table 21.2 DC Characteristics (2)	707	Amended

Item	Typ.	Max.	Unit	Test Conditions	
Current consumption*2	Normal operation	95	107	mA	$f = 48\text{ MHz}$
	Sleep mode	75	85		
	Standby mode*3	50	300	μA	$T_a \leq 50^\circ\text{C}$
		—	1	mA	$50^\circ\text{C} < T_a$
All-module-clock-stop mode*5	42	55	mA		

Notes: 2. Current consumption values are for $V_{IH} = AV_{CC0}$ (port 5), AV_{CC1} (port 4), V_{CC} (others) and $V_{IL} = 0\text{ V}$ with all output pins unloaded and all input pull-up MOSs in the off state.

Figure 21.7 Interrupt Input Timing 712 Amended



Note: * SSIER must be set to cancel software standby mode.

Item

Page Revision (See Manual for Details)

Table 21.6 Timing of On-Chip Peripheral Modules (2)

714 Amended

Item		Test Conditions	
SSU	Clock cycle time	Master	Figure 21.16
		Slave	Figure 21.17
	Clock high pulse width	Master	Figure 21.18
		Slave	Figure 21.19

	Slave access time		Figure 21.18
	Slave out release time		Figure 21.19

21.3.5 Flash Memory Characteristics

720 Amended

Table 21.8 Flash Memory Characteristics

Item	Symbol	Min.	Typ.	Max.	Unit
Programming time ^{*1, *2, *4}	t_p	—	3	30	ms/128 bytes
Erase time ^{*1, *2, *4}	t_e	—	80	800	ms/4-kbyte block
		—	500	5000	ms/32-kbyte block
		—	1000	10000	ms/64-kbyte block
Programming time (total) ^{*1, *2, *4}	Σt_p	—	5	15	s/256 kbytes
Erase time (total) ^{*1, *2, *4}	Σt_e	—	5	15	s/256 kbytes
Programming/erase time (total) ^{*1, *2}	$\Sigma t_{p/e}$	—	10	30	s/256 kbytes
Number of programming	$N_{p/EC}$	100 ^{*3}	—	—	Times
Data retention time ^{*4}	t_{DRP}	10	—	—	Year

Notes: 4. Characteristics when programming is performed within the Min. value

Appendix B. Product Lineup

722 Amended

PLQP0120LA-A (FP-120B)

Figure C.1 Package Dimensions (PRQP0100KB-A)

723 Changed

Index

Numerics

0-output/1-output	341
16-bit timer pulse unit (TPU)	291

A

A/D conversion accuracy	538
A/D converter	521
Absolute accuracy	538
Absolute maximum ratings	705
AC characteristics	708
Address error	74
Address error exception handling	76
Address map	68
Address modes	161
All-module-clock-stop mode	650, 658
Analog port pull-down function	540
Asynchronous mode	439
AT-cut parallel-resonance type	643
Available output signal and settings in each port	280

B

B ϕ clock output control	662
Bit rate	432
Block diagram	2
Block structure	552
Block transfer mode	231
Boot mode	549, 576
Burst access mode	172
Bus access modes	171
Bus arbitration	131
Bus configuration	127
Bus controller (BSC)	125
Bus-released state	61

C

Chain transfer	232
Clock	442
Clock pulse generator	639
Clock synchronous communication mode	513
Clocked synchronous mode	455
Communications protocol	609
CPU priority control function over DTC and DMAC	118
Crystal resonator	643
Cycle stealing mode	171

D

Data direction register	251
Data register	251
Data transfer controller (DTC)	207
DC characteristics	706
Direct convention	464
DMA controller (DMAC)	135
Double-buffered structure	439
Download pass/fail result parameter	565
DTC vector address	220
DTC vector address offset	220, 221, 222
DTC vector table	218
Dual address mode	161

E

Electrical characteristics	705
Error protection	601
Error signal	464
Exception handling	69
Exception handling by general illegal instruction	79
Exception handling vector table	70

Exception-handling state	61
Extended repeat area.....	159
Extended repeat area function	172
External bus clock (B ϕ)	128, 639
External clock.....	644
External interrupts	100
External trigger input.....	537

F

Flash erase block select parameter	574
Flash memory	547
Flash multipurpose address area parameter	572
Flash multipurpose data destination parameter	573
Flash pass and fail parameter.....	566
Flash program/erase frequency parameter	570
Free-running count operation	339
Frequency divider	645
Full address mode.....	218
Full-scale error.....	538

G

General illegal instruction	79
-----------------------------------	----

H

Hardware protection	600
---------------------------	-----

I

I/O ports.....	243
ID code	449
Illegal instruction.....	78
Input buffer control register.....	252
Internal bus	129

Internal interrupts.....	101
Internal peripheral bus	127
Internal system bus 1	127
Interrupt	77
Interrupt control mode 0	109
Interrupt control mode 2	111
Interrupt controller.....	83
Interrupt exception handling.....	77
Interrupt exception handling sequence ...	113
Interrupt exception handling vector table.....	102
Interrupt response times.....	114
Interrupt sources	100
Interrupt sources and vector address offsets.....	102
Interval timer mode.....	409
Inverse convention.....	465
IRQn interrupts	100

M

Mark state	439, 476
MCU operating modes.....	63
Memory MAT configuration	551
Mode 1	67
Mode 2	67
Mode 3	67
Mode pin	63
Module stop mode	657
Multi-clock function	128, 657
Multiprocessor bit.....	449
Multiprocessor communication function.....	449

N

NMI interrupt.....	100
Nonlinearity error	538
Normal transfer mode	228

O	
Offset addition	175
Offset error	538
On-board programming	576
On-board programming mode	547
On-chip baud rate generator	442
Open-drain control register	254
Oscillator	643
Output buffer control	255
Output trigger	394
Overflow	408
P	
Package	1
Package dimensions	723
Parity bit	439
Peripheral module clock (P ϕ)	128, 639
Pin assignments	3
Pin configuration in each operating mode ..	4
Pin functions	8
PLL circuit	639, 645
Port function controller	284
Port H realtime input data register	254
Port register	252
Port states in each pin state	721
Power-down modes	649
Processing states	61
Product lineup	722
Program execution state	61
Program stop state	61
Programmable pulse generator (PPG)	381
Programmer mode	607
Programming/erasing interface	553
Programming/erasing interface parameters	563
Programming/erasing interface register ..	556
Protection	600
Pull-up MOS control register	253
Q	
Quantization error	538
R	
RAM	545
Register addresses (address order)	666
Register bits	678
Register configuration in each port	249
Register states in each operating mode ...	695
Registers	
ADCR	529, 675, 693, 703
ADCSR	527, 675, 693, 703
ADDR	526, 675, 692, 703
APPDCR	530, 667, 679, 696
BCR2	126, 672, 689, 700
BRR	432, 673, 690, 701
CCR	28
CPUPCR	87, 674, 691, 702
CRA	213
CRB	214
DACR	153, 671, 684, 699
DAR	213
DBSR	143, 671, 684, 699
DDAR	140, 671, 684, 699
DDR	251, 669, 682, 698
DMDR	144, 671, 684, 699
DMRSR	160, 672, 687, 700
DOFR	141, 671, 684, 699
DPFR	565
DR	251, 675, 692, 702
DSAR	139, 671, 684, 699
DTCCR	216
DTCER	214
DTCR	142, 671, 684, 699
DTCVBR	217
EXR	30
FCCS	557, 673, 690, 701
FEBS	574
FECS	559, 673, 690, 701

FKEY	560, 673, 690, 701	RDR	416, 673, 689, 701
FMATS	561, 673, 690, 701	RSR	416
FMPAR	572	RSTCSR	406, 676, 693, 703
FMPDR	573	SAR	212
FPCS	559, 673, 690, 701	SBR	30
FPEFEQ	570	SBYCR	651, 672, 689, 701
FPPR	566	SCKCR	640, 672, 689, 701
FTDAR	562, 673, 690, 701	SCMR	431, 673, 689, 701
General registers	27	SCR	420, 673, 689, 701
ICR	252, 669, 682, 698	SMR	417, 673, 689, 690, 701
IER	91, 674, 691, 702	SSCR2	495, 666, 678, 695
INTCR	86, 674, 691, 702	SSCRH	486, 666, 678, 695
IPR	89, 672, 688, 700	SSCRL	488, 666, 678, 695
ISCRH	93, 672, 689, 700	SSER	490, 666, 678, 695
ISCRL	93, 672, 689, 700	SSIER	99, 670, 683, 699
ISR	98, 674, 691, 702	SSMR	489, 666, 678, 695
MAC	31	SSR	424, 673, 689, 701
MDCR	64, 672, 689, 701	SSRDR	498, 666, 678, 695
MRA	210	SSSR	491, 666, 678, 695
MRB	211	SSTDR	496, 666, 678, 695
MSTPCRA	653, 673, 689, 701	SSTRSR	499
MSTPCRB	653, 673, 689, 701	SYSCR	65, 672, 689, 701
MSTPCRC	656, 673, 689, 701	TCNT	335, 404, 676, 693, 703
NDERH	383, 675, 692, 703	TCR	305, 676, 693, 703
NDERL	383, 675, 692, 703	TCSR	404, 676, 693, 703
NDRH	386, 675, 692, 703	TDR	417, 673, 690, 701
NDRL	386, 675, 692, 703	TGR	335, 676, 693, 704
ODR	254, 670, 683, 699	TIER	329, 676, 693, 703
PC	28	TIOR	311, 676, 693, 703
PCR	670	TMDR	310, 676, 693, 703
PCR	253, 389, 675, 683, 692, 699, 703	TSR	331, 417, 676, 693, 703
PFCR9	284, 670, 683, 699	TSTR	336, 676, 693, 703
PFCRA	286, 670, 683, 699	TSYR	337, 676, 693, 703
PFCRB	287, 670, 683, 699	VBR	30
PHRTIDR	254, 667, 679, 696	Repeat transfer mode	229
PMR	390, 675, 692, 703	Reset	72
PODRH	384, 675, 692, 703	Reset exception handling	72
PODRL	384, 675, 692, 703	Reset state	61
PORT	252, 674, 691, 702	Resolution	538
RAMER	575, 672, 689, 700		

S	
Sample-and-hold circuit.....	535
Scan mode	533
Serial communication interface (SCI)	413
Short address mode.....	218
Single address mode	163
Single mode	531
Sleep mode	650, 658
Slot illegal instruction.....	79
Smart card interface.....	463
Software protection.....	601
Software standby mode.....	650, 659
SSU mode.....	504
Stack status after exception handling.....	80
Standard serial communication interface specifications for boot mode.....	607
Start bit	439
State transitions.....	62
Stop bit.....	439
Synchronous clearing.....	344
Synchronous presetting.....	344
Synchronous serial communication unit (SSU).....	481
System clock (I ϕ).....	128, 639
T	
Toggle output.....	341
Trace exception handling.....	74
Transfer clock	500
Transfer modes.....	165
Transmit/receive data.....	439
Trap instruction exception handling.....	78
U	
User boot MAT	547, 606
User boot mode	590
User MAT	547, 606
User program mode.....	580
V	
Vector table address	70
Vector table address offset.....	70
W	
Watchdog timer (WDT).....	403
Watchdog timer mode.....	408
Write data buffer function.....	130
Write data buffer function for peripheral module	130

**Renesas 32-Bit CISC Microcomputer
Hardware Manual
H8SX/1582**

Publication Date: Rev.1.00, Sep. 16, 2004
Rev.2.00, Mar. 15, 2006

Published by: Sales Strategic Planning Div.
Renesas Technology Corp.

Edited by: Customer Support Department
Global Strategic Communication Div.
Renesas Solutions Corp.

Renesas Technology Corp. Sales Strategic Planning Div. Nippon Bldg., 2-6-2, Ohte-machi, Chiyoda-ku, Tokyo 100-0004, Japan



RENESAS SALES OFFICES

<http://www.renesas.com>

Refer to "<http://www.renesas.com/en/network>" for the latest and detailed information.

Renesas Technology America, Inc.

450 Holger Way, San Jose, CA 95134-1368, U.S.A
Tel: <1> (408) 382-7500, Fax: <1> (408) 382-7501

Renesas Technology Europe Limited

Dukes Meadow, Millboard Road, Bourne End, Buckinghamshire, SL8 5FH, U.K.
Tel: <44> (1628) 585-100, Fax: <44> (1628) 585-900

Renesas Technology (Shanghai) Co., Ltd.

Unit 204, 205, AZIA Center, No.1233 Lujiazui Ring Rd, Pudong District, Shanghai, China 200120
Tel: <86> (21) 5877-1818, Fax: <86> (21) 6887-7898

Renesas Technology Hong Kong Ltd.

7th Floor, North Tower, World Finance Centre, Harbour City, 1 Canton Road, Tsimshatsui, Kowloon, Hong Kong
Tel: <852> 2265-6688, Fax: <852> 2730-6071

Renesas Technology Taiwan Co., Ltd.

10th Floor, No.99, Fushing North Road, Taipei, Taiwan
Tel: <886> (2) 2715-2888, Fax: <886> (2) 2713-2999

Renesas Technology Singapore Pte. Ltd.

1 Harbour Front Avenue, #06-10, Keppel Bay Tower, Singapore 098632
Tel: <65> 6213-0200, Fax: <65> 6278-8001

Renesas Technology Korea Co., Ltd.

Kukje Center Bldg. 18th Fl., 191, 2-ka, Hangang-ro, Yongsan-ku, Seoul 140-702, Korea
Tel: <82> (2) 796-3115, Fax: <82> (2) 796-2145

Renesas Technology Malaysia Sdn. Bhd

Unit 906, Block B, Menara Amcorp, Amcorp Trade Centre, No.18, Jalan Persiaran Barat, 46050 Petaling Jaya, Selangor Darul Ehsan, Malaysia
Tel: <603> 7955-9390, Fax: <603> 7955-9510



H8SX/1582 Hardware Manual



Renesas Technology Corp.

2-6-2, Ote-machi, Chiyoda-ku, Tokyo, 100-0004, Japan