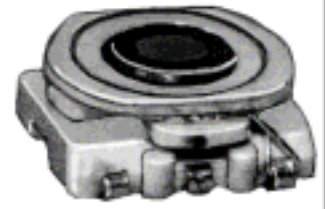
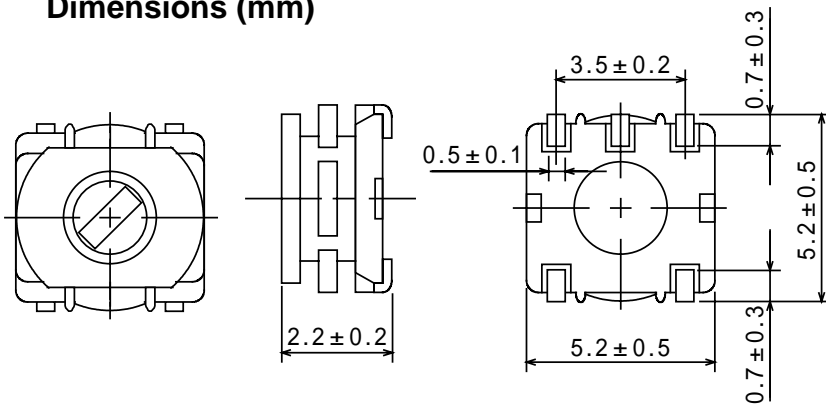
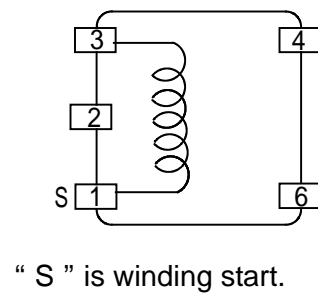


Type: CS-5LN
Product Description

- 5.7 × 5.7mm Max.(L × W), 2.4mm Max. Height.
- Inductance: 1.5 μ H Max.
- Operating frequency:150MHz Max.
- In addition to the reference versions of parameters shown here, custom designs are available to meet your exact requirements.


Feature

- Variable unshielded type.
- RoHS Compliance

Dimensions (mm)

Connection (Bottom View)


* Dimension does not include solder used on coil.

Specification (Part No. 5200-T184)

Item	(1 - 4)	Measuring Condition
Tuning Capacity	6 1.0 p F ± 3 % Within	8 0 MHz
Unloaded Q	4 5 Min .	8 0 MHz