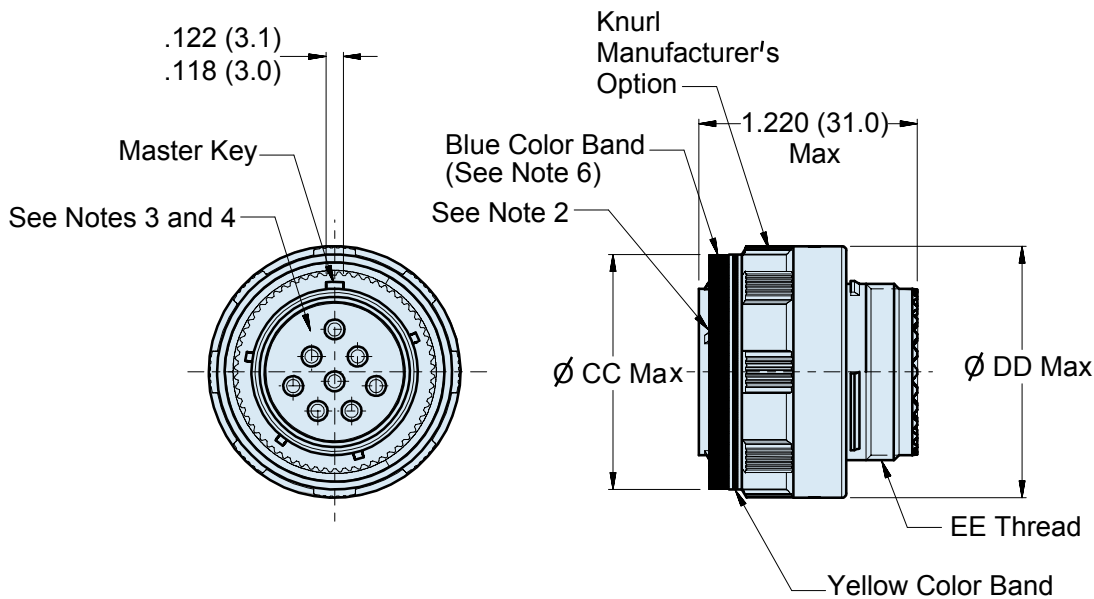
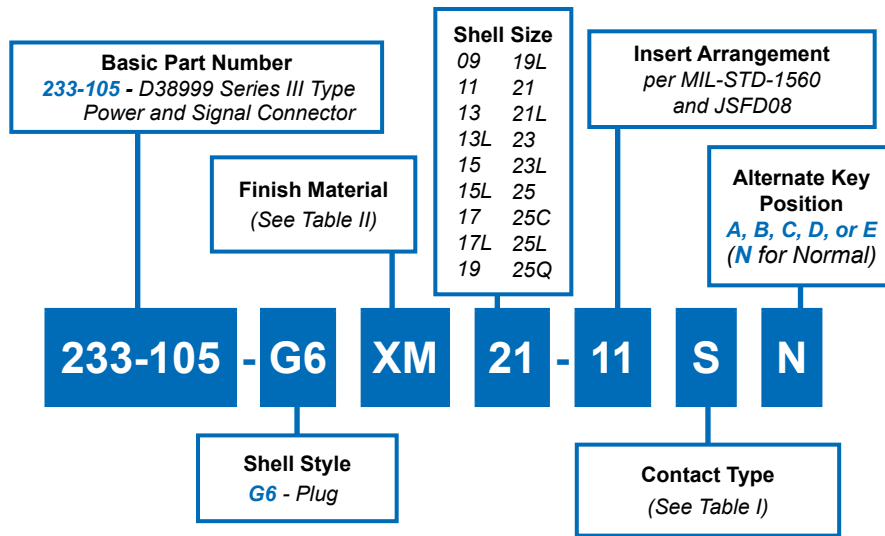


233-105-G6 MIL-DTL-38999 Series III Type Environmental Plug Connector



Consult factory for available insert arrangements.

F

APPLICATION NOTES

1. Material/ Finishes:
Barrel, Coupling Nut - See Table II
(Composite Coupling Nut - No Plating Required).
Insulators- High Grade Rigid Dielectric/ N.A.
Seals- Fluorosilicone/ N.A.
2. Assembly to be identified with Glenair's name, part number and date code space permitting.
3. Insert arrangement in accordance with MIL-STD-1560.
4. Insert arrangement shown is for reference only.
5. Blue Color Band indicates rear release retention system.
6. 16# AWG contact arrangements only. See available arrangements opposite page.
7. Metric Dimensions (mm) are indicated in parentheses.

233-105-G6
MIL-DTL-38999 Series III Type
Environmental Plug Connector



TABLE I: CONTACT TYPES

| Ordering Code | Assembly Dash Number | Wire Size | Type | Military Part Number |
|---------------|----------------------|-----------|--------|----------------------|
| P | 850-002-16-364 | #16 – #20 | Pin | M39029/58-364 |
| S | 850-001-16-352 | #16 – #20 | Socket | M39029/56-352 |
| A | Less pin contacts | | | |
| B | Less socket contacts | | | |

TABLE II: FINISH

| SYM | MATERIAL | FINISH |
|------------|-----------|--------------------------------------|
| XM | Composite | Electroless Nickel |
| XMT | Composite | Ni-PTFE 1000 Hour Grey™ |
| XW | Composite | Cadmium O.D. Over Electroless Nickel |

*Consult Factory for Additional Plating Options

TABLE III: SHELL SIZE

| Shell Size Code | Shell Size | CC Max Dia | DD Max Dia | EE Thread |
|-----------------|------------|--------------|--------------|---------------------|
| A | 09 | .811 (20.6) | .858 (21.8) | M12 x 1.0-6g 0.100R |
| B | 11 | .929 (23.6) | .984 (25.0) | M15 x 1.0-6g 0.100R |
| C | 13 | 1.110 (28.2) | 1.157 (29.4) | M18 x 1.0-6g 0.100R |
| D | 15 | 1.232 (31.3) | 1.280 (32.5) | M22 x 1.0-6g 0.100R |
| E | 17 | 1.358 (34.5) | 1.406 (35.7) | M25 x 1.0-6g 0.100R |
| F | 19 | 1.469 (37.3) | 1.516 (38.5) | M28 x 1.0-6g 0.100R |
| G | 21 | 1.594 (40.5) | 1.642 (41.7) | M31 x 1.0-6g 0.100R |
| H | 23 | 1.720 (43.7) | 1.768 (44.9) | M34 x 1.0-6g 0.100R |
| J | 25 | 1.843 (46.8) | 1.890 (48.0) | M37 x 1.0-6g 0.100R |

