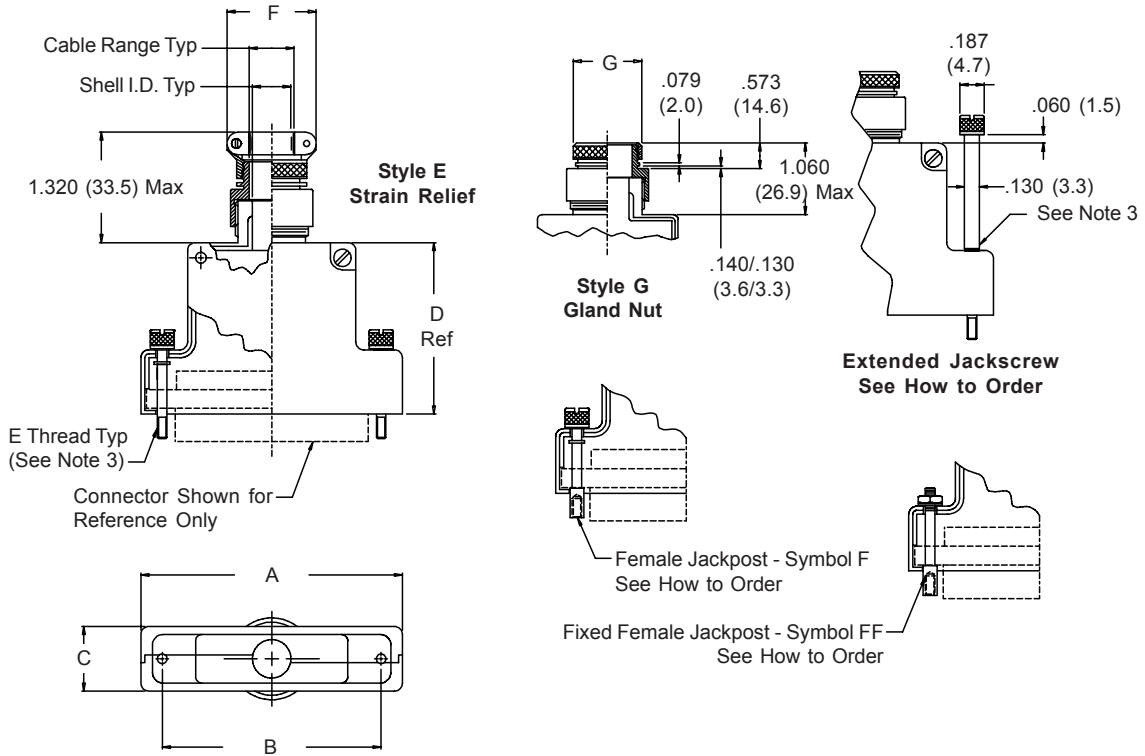


507-195 EMI/RFI Micro-D Split Backshell Assembly with Clamp and Gland Nut Style Strain-Relief



HOW TO ORDER					
Series/ Basic Number	Finish Symbol (Table III)	Shell Size (Table I)	Dash No. (Table II)	Jackscrew Option*	Gland Nut or Strain Relief
507-195		09		E – Extended Jackscrew	G – Gland Nut
		15		F – Female Jackpost	
		21		FE – Extended Female Jackpost	E – Strain Relief
		25		FF – Fixed Female Jackpost	
		31		Omit for Standard	
		37			
		51			
100					
Sample Part Number:					
507-195	M	21	02	E	G
* SEE PAGE C-4 FOR COMPLETE INFORMATION					

- NOTES:**
1. Metric dimensions (mm) are indicated in parentheses.
 2. Accommodates MS3109 through MS3117 and M85049/68 Lipped-Type Shrink Boots.
 3. Jackscrew and Jackpost to float allowing Connector to engage prior to Jackscrew.

507-195
EMI-RFI Micro-D Split Backshell Assembly
with Clamp and Gland Nut Style Strain-Relief



MIL-DTL-83513
Micro-D

TABLE I: SHELL SIZE, CABLE ENTRY, BACKSHELL & CONNECTOR INTERFACE DIMENSIONS

Shell Size	A Max	B ±.005 (0.13)	C Max	D Dia	E ±.010 (0.25)	E Thread	Shell I.D.
09	.915 (23.4)	.565 (14.4)	.281 (7.1)	.450 (11.4)	.701 (17.8)	2-56 UNC-2A	.310 (7.9)
15	1.065 (27.1)	.715 (18.2)	.281 (7.1)	.450 (11.4)	.763 (19.4)	2-56 UNC-2A	.310 (7.9)
21	1.215 (30.9)	.865 (22.0)	.281 (7.1)	.450 (11.4)	.795 (20.4)	2-56 UNC-2A	.310 (7.9)
25	1.315 (33.4)	.965 (24.5)	.281 (7.1)	.450 (11.4)	.857 (21.8)	2-56 UNC-2A	.310 (7.9)
31	1.465 (37.2)	1.115 (28.3)	.281 (7.1)	.450 (11.4)	.888 (22.6)	2-56 UNC-2A	.310 (7.9)
37	1.615 (41.0)	1.265 (32.1)	.281 (7.1)	.450 (11.4)	.951 (24.2)	2-56 UNC-2A	.310 (7.9)
51	1.565 (39.8)	1.215 (30.9)	.312 (7.9)	.495 (12.6)	1.013 (25.7)	2-56 UNC-2A	.360 (9.1)
100	2.305 (51.7)	1.800 (45.7)	.360 (9.1)	.540 (13.7)	1.076 (27.3)	4-40 UNC-2A	.400 (10.2)

TABLE II: DASH NUMBER AND CABLE ENTRY

Dash No.	Clamp Range		F Dia Max	G Max
	Min	Max		
02	.125 (3.2)	.250 (6.4)	.968 (24.6)	.515 (13.1)
03	.250 (6.4)	.375 (9.5)	1.046 (9.5)	.640 (16.3)
04	.312 (7.9)	.500 (12.7)	1.156 (29.4)	.765 (19.4)

**TABLE III:
FINISH OPTIONS**

Symbol	Finish
B	Cadmium Plate/Olive Drab
C*	Black Anodize
G*	Anodic Hard Coat
J	Gold Iridite over Cadmium Plate over Electroless Nickel
LF	Cadmium Plate/Bright over Electroless Nickel
M	Electroless Nickel
N	Cadmium Plate/Olive Drab over Electroless Nickel
NC	Zinc Cobalt/Dark Olive Drab
NF	Cadmium Plate/Olive Drab over Electroless Nickel
T	Cadmium Plate/Bright over Electroless Nickel
U**	Cadmium Plate/Black
ZN	Zinc-Nickel Alloy/Olive Drab

*Anodize finish is not suitable for EMI shielding or grounding applications.
 **Applicable to corrosion resisting steel backshells and accessories. Consult factory for other available finishes.

NOTES:

1. Metric dimensions (mm) are indicated in parentheses.
2. Accommodates MS3109 through MS3117 and M85049/68 Lipped-Type Shrink Boots.
3. Jackscrew and Jackpost to float allowing Connector to engage prior to Jackscrew.