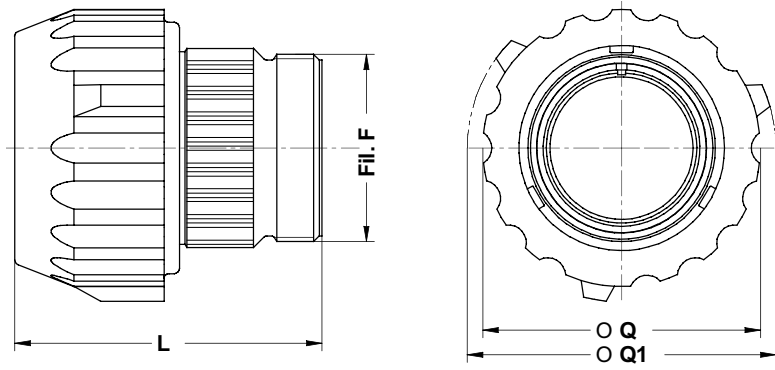




**ITS 3106 (AGG) and ITS 3106 (RGG)
ITS 4106 (AGG) and ITS 4106 (RGG)
Straight Plug Connector with Rubber-Coated Coupling Nut**

FR ITS G 31 06 AGG 20-27 P Y XXX

- | | |
|--|---|
| <p>Fire Resistant Inserts
(See Note 7)</p> <p>Bayonet Coupling</p> <p>Grounding Fingers
(Omit for Standard)</p> <p>Contact Type
31 - Solder Contacts
41 - Crimp Contacts</p> <p>06 - Straight Plug Connector</p> <p>Connector/Backshell Class
AGG - Non-Environmental
RGG - Environmental; Supplied
with Grommet</p> | <p>Mod Code Option (See Table II)</p> <p>Alternate Insert Rotation (W, X, Y, Z)
Omit for Normal (See Intro 20-21)</p> <p>Contact Gender
P - Pin
S - Socket</p> <p>Shell Size and Insert Arrangement
(See Intro 6-25))</p> |
|--|---|



Application Notes:

1. Straight plug connector with rubber covered coupling nut.
2. Connector/Backshell class "AGG" (no grommet supplied) or "RGG" (insulating grommet supplied).
3. Standard materials configuration consists of aluminum alloy with cadmium olive drab finish.
4. Standard contact material consists of copper alloy with silver plating (Gold plating available, see mod codes).
5. A broad range of additional connector accessories are available. See our website and/or contact the factory for complete information.
6. Standard insert material is synthetic rubber.
7. Add "FR" prefix to front of part number to specify fire-resistant insert elastomers.



TABLE I: DIMENSIONS

Shell Size	L Max.	ØQ ±0.5	ØQ1 ±0.5	F Thread
10 SL	46.0	28.6	33.5	0.6250 - 24UNEF
14 S	48.4	35.0	42.0	0.7500 - 20UNEF
16 S	48.4	38.0	45.0	0.8750 - 20UNEF
16	59.8	38.0	45.0	0.8750 - 20UNEF
18	59.8	43.5	49.0	1.0000 - 20UNEF
20	60.1	46.0	51.5	1.1875 - 18UNEF
22	60.1	50.5	56.0	1.1875 - 18UNEF
24	61.7	54.0	60.0	1.4375 - 18UNEF
28	68.2	61.0	67.0	1.4375 - 18UNEF
32	73.3	68.0	76.0	1.7500 - 18UNS
36	78.8	74.0	82.0	2.0000 - 18UNS
40	78.8	80.0	88.0	2.2500 - 16UN

TABLE II: MODIFICATION CODES

CONTACT OPTIONS	
Sym	Description
B0	Connector less contacts
B1	Connector with gold plated contacts
Omit for standard version (silver plated)	

