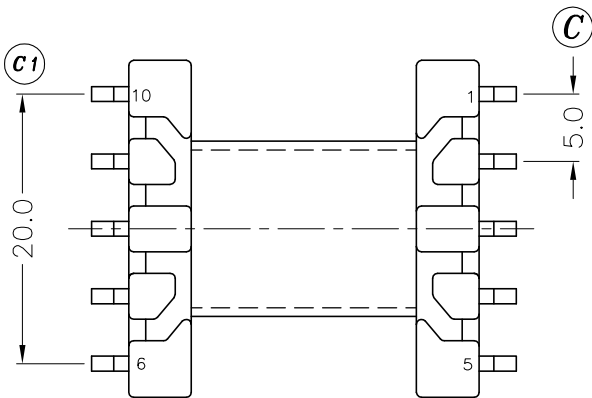
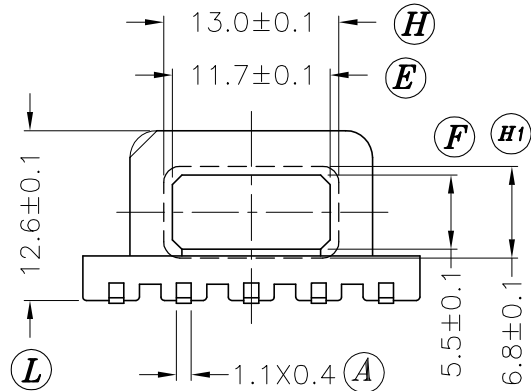
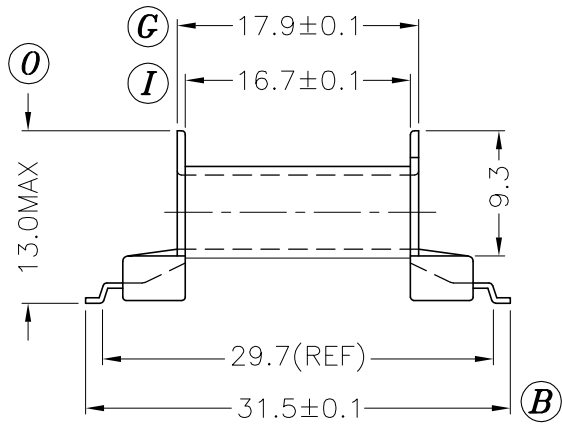
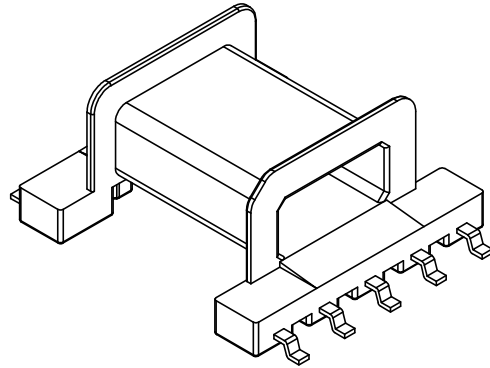
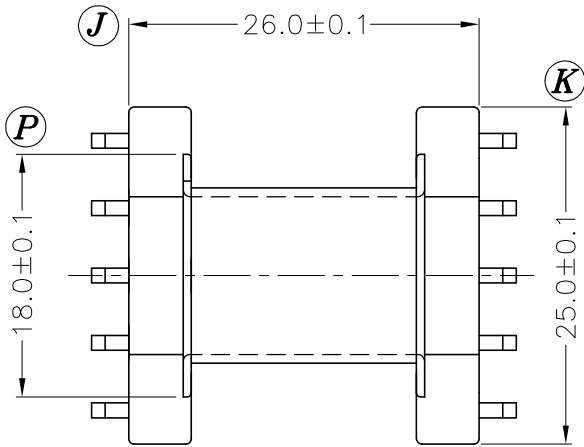


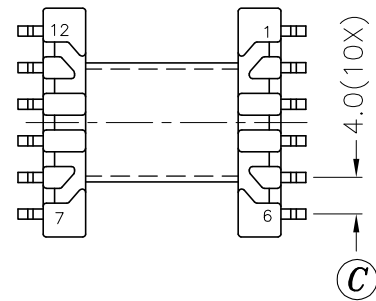
**FERYSTER Inductive Components**

ul. Traugutta 4 , 68-120 Iłowa Poland

http://www.feryster.com.pl e-mail: info@feryster.com.pl



DRAWING NO.	MATERIAL:	ORIGIN:
S-2501-1	PM9630	SZ



<b>DOSTAWCA:</b>	TOLERANCES		ANGLE: $\pm 1^\circ$	TITLE: <b>EFD25-K-10P-SMD</b>	
	$0 < L \leq 4 \pm 0.1$ $4 < L \leq 16 \pm 0.2$ $16 < L \leq 63 \pm 0.3$	COPLANARITY 0.1 MAX	UNIT: MM	BOBBIN MATERIAL: PHENOLIC PM9630	UL REC. UL 94V-0
FERYSTER Inductive Components Tel: +48 68 360 00 76 fax: +48 68 360 00 70			ORIGIN: DG SZ	PIN MATERIAL: PHOSPHOR BRONZE	PIN TENSION LOAD: 1.5KG MIN.
			DATE: JUN. 07 '2001	DRAWING NO. S-2501	REV. 3