

CTSPT-H

From 2.8 μ H to 18 μ H

SPECIFICATIONS

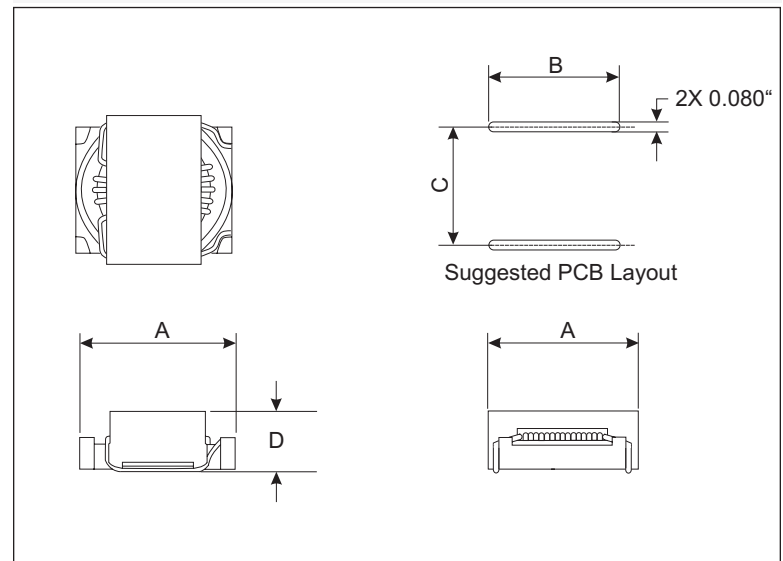
CTSPT~~HE Please specify "F" for RoHS Compliant

Part Number	Inductance (no DC) \pm 20%. (μ H)	Current DC (Amp.)	Inductance (w/ DC) Typ. (μ H)	DCR Max. (Ω)	Size Code
CTSPT44H_-282M	2.8	13.9	1.68	0.0036	R
CTSPT44H_-422M	4.2	11.4	2.5	0.0054	R
CTSPT68H_-113M	11	15.4	5.2	0.0062	S
CTSPT68H_-183M	18	10.9	9.4	0.0123	S



PHYSICAL DIMENSIONS (inch)

Size Code	A Max.	B Max.	C Max.	D Max.
R	0.665	0.490 \pm 0.005	0.570 \pm 0.005	0.400
S	0.940	0.700 \pm 0.005	0.830 \pm 0.005	0.400



CHARACTERISTICS

- Description:** Surface mount high current toroidal inductor.
- Applications:** For use in DC/DC converters, notebooks, computers, and mobile appliances. Boost and buck switcher. Designed for SMD pick and place mounting and reflow soldering.
- Operating Temperature:** -40°C to +130°C
- Testing:** Tested on an HP4284A at 100 kHz 0.1 Vrms
- Electrical Specification:** @ 25°C
- Temperature Rise:** 55°C typical at I_{dc} and 25°C ambient temperature.
- Miscellaneous:** RoHS Compliant available. Meets UL94V-0. Operating frequency up to 1 MHz.
- Additional Information:** Additional electrical & physical information available upon request
- Samples available. See website for ordering information.**

05.07.08



Manufacturer of Passive and Discrete Semiconductor Components
800-684-5322 Inside US **949-453-1811** Outside US

Copyright © 2008 by CT Magnetics, DBA Central Technologies. All rights reserved.
 CT Magnetics reserves the right to make improvements or change specifications without notice