



SCHOTTKY BARRIER RECTIFIER

SRF3020C THRU SRF30100C

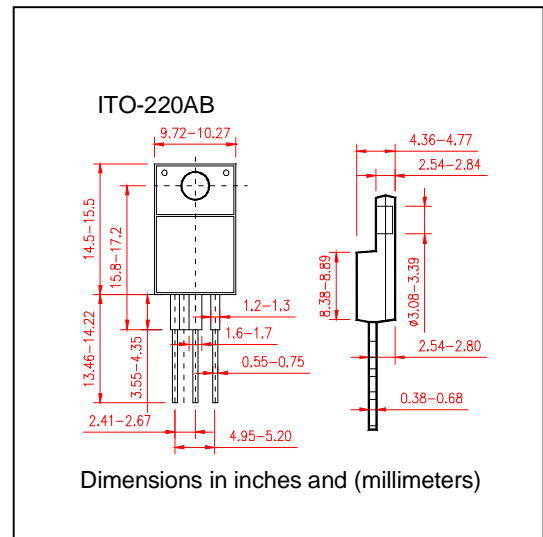
VOLTAGE RANGE 20 to 100 Volts
CURRENT 30.0 Amperes

FEATURES

- Plastic package has Underwriters Laboratory Flammability classification 94V-O utilizing Flame Retardant Epoxy Molding Compound
- Exceeds environmental standards of MIL-S-19500/228
- Low power loss, high efficiency
- Low forward voltage, high current capability
- High surge capacity
- For use in low voltage, high frequency inverters. Free wheeling, and polarity protection applications

MECHANICAL DATA

- Case: ITO-220AB full molded Plastic package
- Terminals: lead solderable per MIL-STD-202, Method 208
- Polarity: as marked
- Mounting position: Any
- Weight: 0.08ounce, 2.24 grams



MAXIMUM RATINGS AND ELECTRICAL CHARACTERISTICS

- Ratings at 25°C ambient temperature unless otherwise specified
- Single Phase, half wave, 60Hz, resistive or inductive load
- For capacitive load derate current by 20%

	SYMBOLS	SRF 3020C	SRF 3030C	SRF 3035C	SRF 3040C	SRF 3045C	SRF 3050C	SRF 3060C	SRF 3080C	SRF ₃ 0100C	SRF ₃ 0150C	SRF ₃ 00200 C	UNIT	
Maximum Repetitive Peak Reverse Voltage	V _{RRM}	20	30	35	40	45	50	60	80	100	150	200	Volts	
Maximum RMS Voltage	V _{RMS}	14	21	25	28	32	35	42	56	70	105	140	Volts	
Maximum DC Blocking Voltage	V _{DC}	20	30	35	40	45	50	60	80	100	150	200	Volts	
Maximum Average Forward Rectified Current At T _C =90°C	I _(AV)	30.0											Amps	
Peak Forward Surge Current 8.3ms single half sine wave superimposed on rated load (JEDEC method)	I _{FSM}	200											Amps	
Maximum Forward Voltage at 15.0A per element	V _F	0.65			0.72			0.75			0.85			Volts
Maximum DC Reverse Current at rated DC Blocking Voltage per element	T _C = 25°C T _C = 100°C	1.0											mA	
		100												
Typical Junction Capacitance(Note2)	C _J	500											pF	
Typical Thermal Resistance (Note 1)	R _{θJC}	2.0											°C/W	
Operating and Storage Temperature Range	T _J T _{STG}	(-55 to +150)											°C	

Notes:

1. Thermal Resistance Junction to Ambient
2. Measured at V_R=4v and f=1MHz



SCHOTTKY BARRIER RECTIFIER

SRF3020C THRU SRF30100C

VOLTAGE RANGE	20 to 100 Volts
CURRENT	30.0 Ampere

RATING AND CHARACTERISTIC CURVES SRF3020C THRU SRF30100C

FIG.1-TYPICAL FORWARD CURRENT DERATING CURVE

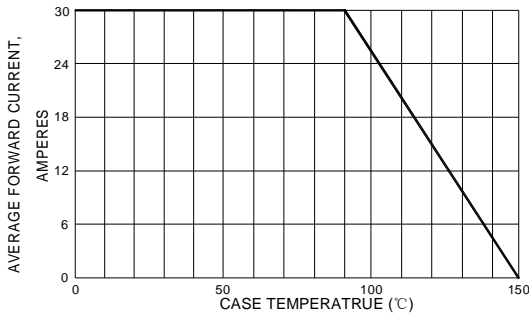


FIG.3-TYPICAL INSTANTANEOUS FORWARD CHARACTERISTIC

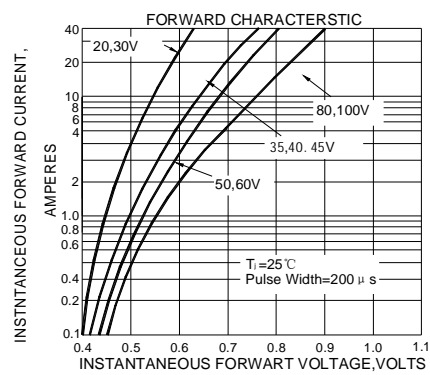


FIG.2-TYPICAL REVERSE CHARACTERISTICS

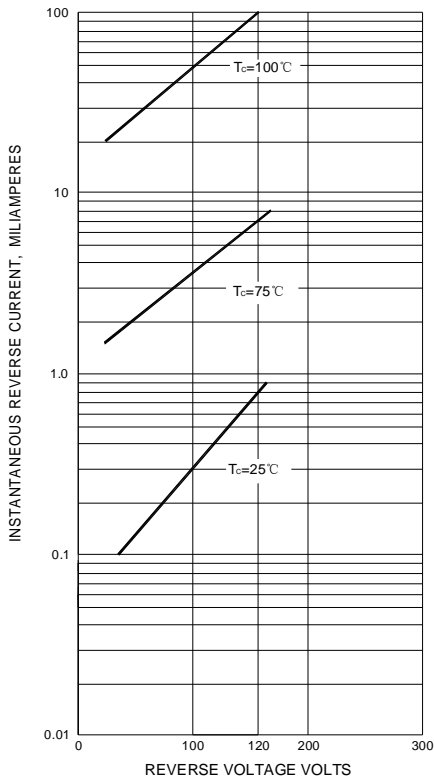


FIG.4-MAXIMUM NON-REPETITIVE SURGE CURRENT

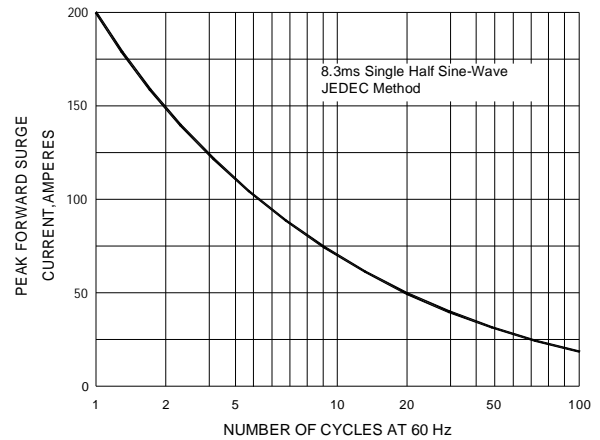


FIG.5-TYPICAL JUNCTION CAPACITANCE

