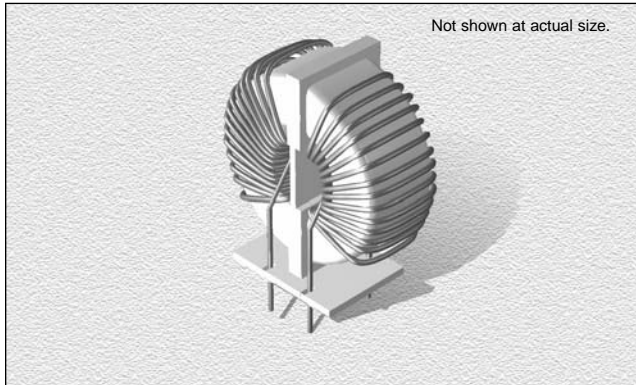


## CTF2012S Series

From 0.4 mH to 4.5 mH



### CHARACTERISTICS

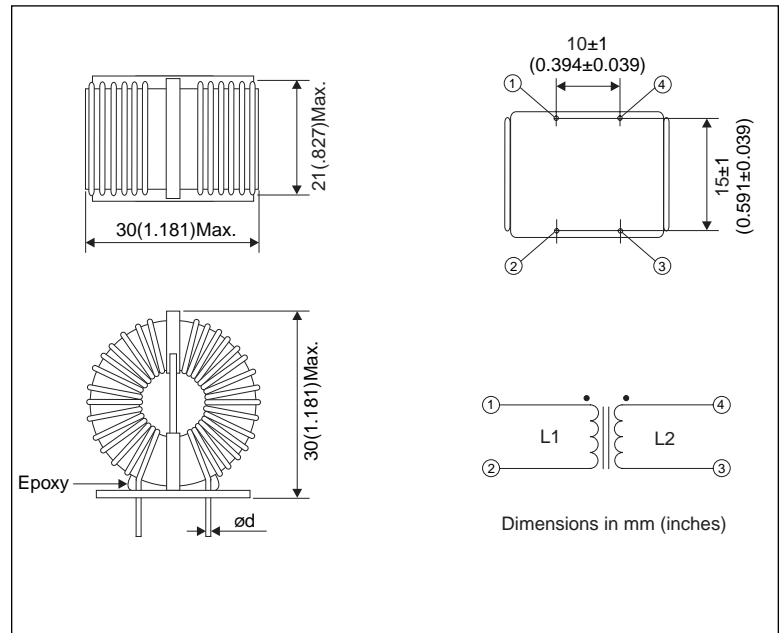
- Description:** Common mode choke coils for power supply line.
- Applications:** Prevents noise emission, protects AC side from the affects of switching regulators, provides noise elimination and immunity for TV's, VTR's/VCR's, audio equipment, etc.
- Operating Temperature:** -25°C to +85°C including self temperature rise
- Insulation Resistance:** 100 Mohm minimum between each winding for 1 minute
- Dielectric Withstanding Voltage:** 2000 Vac between each winding for 1 minute
- Packaging:** Bulk Pack
- Marking:** None
- Additional Information:** Additional electrical & physical information available upon request. Different inductance and current products are available as well.
- Samples available. See website for ordering information.**

### SPECIFICATIONS

\* Indicates the inductance difference between the coil L1 and L2.

Part Number	Inductance Min. (mH)	Inductance Difference* (µH Max.)	DCR Max. (Ω)	Rated Current (Aac)	Ød (mm)
CTF2012S-452M2R0	4.5	100	0.15	2.0	0.55
CTF2012S-452M3R3	4.5	150	0.09	3.3	0.65
CTF2012S-202M3R0	2.0	75	0.10	3.0	0.65
CTF2012S-202M5R0	2.0	50	0.045	5.0	0.75
CTF2012S-102M5R0	1.0	50	0.05	5.0	0.8
CTF2012S-601M8R0	0.6	50	0.015	8.0	1.1
CTF2012S-401M10R	0.4	50	0.01	10	1.1

### PHYSICAL DIMENSIONS



08.17.04