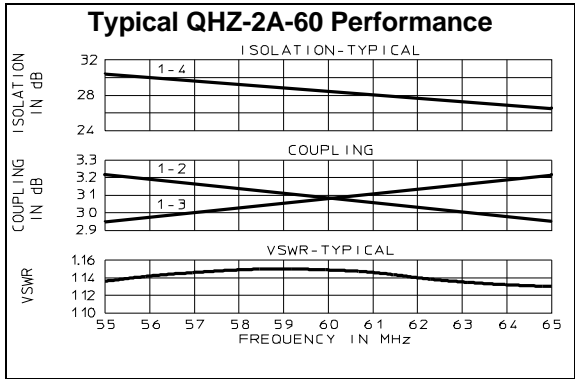
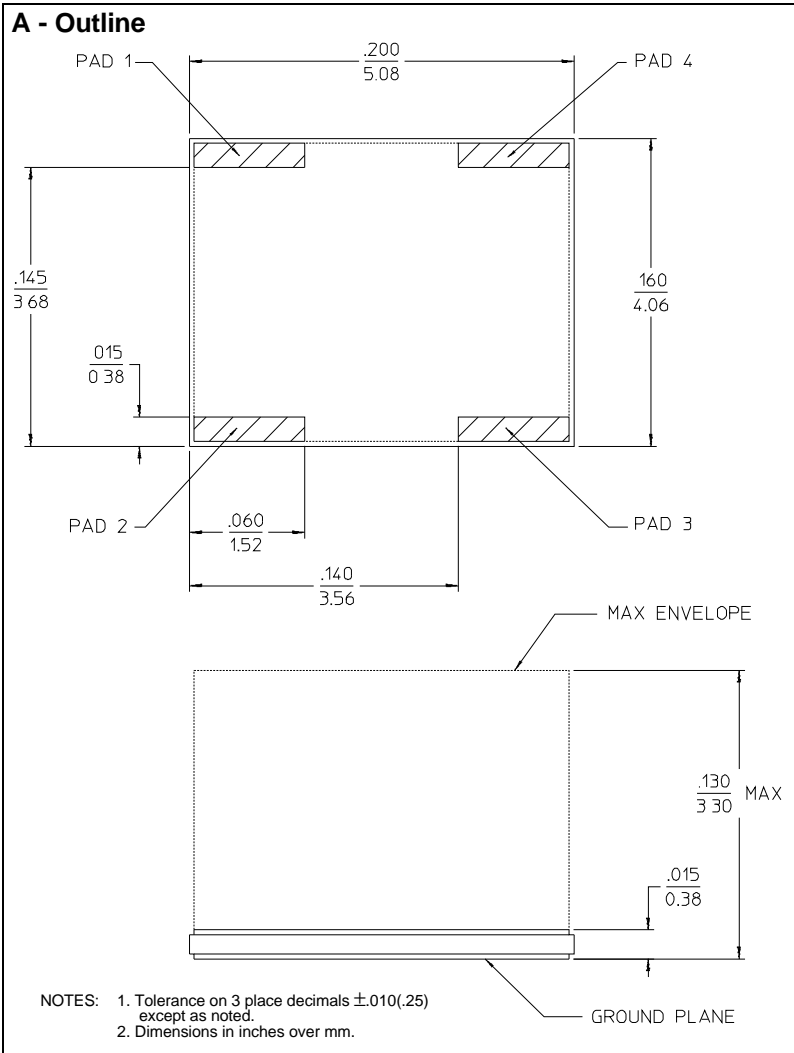


Phasing Diagram - A				
	1	2	3	4
1		0°	-90°	Isol.
2	0°		Isol.	-90°
3	-90°	Isol.		0°
4	Isol.	-90°	0°	

PRINCIPAL SPECIFICATIONS		
Model Number	Center Frequency, f_0	Frequency Performance
QHZ-2A-***B	20 to 1200 MHz	$\pm 5\%$ of f_0
For complete Model Number replace *** with desired Center Frequency in MHz.		

GENERAL SPECIFICATIONS	
Coupling:	- 3 dB nom.
Impedance:	50 Ω nom.
Isolation:	20 dB min., 25 dB typ.
Insertion Loss:	0.3 dB typ., 0.7 dB max.
Phase Tolerance:	90° \pm 3° max.
Amplitude Balance:	0.75 dB max.
VSWR (In/Out):	1.3:1 max.
CW Input:	1 W max.
Weight, nominal:	0.006 oz (170 mg)
Operating Temp.:	- 55° to +85°C



General Notes:

1. The QHZ-2A series of CaseFree 3 dB Quadrature Hybrids has been designed for size and process compatibility with MMIC and similar devices. This series has narrow band applications and a profile height of less than 0.130" allowing mounting with similar miniature components within a low profile hermetic housing.
2. High performance remains uncompromised by the units' miniature characteristics and very low weight. Additional models are being designed and will be available as catalog standard units.
3. All units can be supplied screened for compliance with specifications you designate for aerospace applications requiring the highest available reliability.

22Apr97