



TO-252 Plastic-Encapsulate Transistors

2SB1261-Z TRANSISTOR (PNP)

FEATURES

Power dissipation

$$P_{CM}: 2 \text{ W (Tamb=25°C)}$$

Collector current

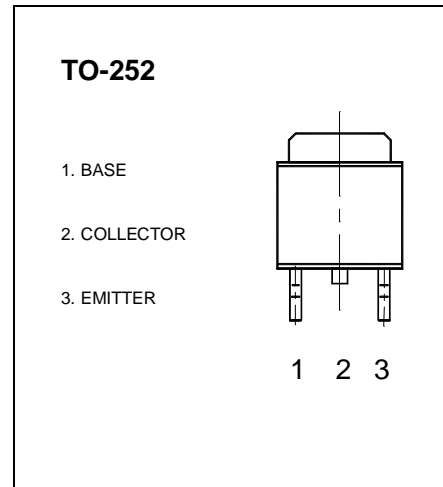
$$I_{CM}: -3 \text{ A}$$

Collector-base voltage

$$V_{(BR)CBO}: -60 \text{ V}$$

Operating and storage junction temperature range

$$T_J, T_{stg}: -55°C \text{ to } +150°C$$



ELECTRICAL CHARACTERISTICS (Tamb=25°C unless otherwise specified)

Parameter	Symbol	Test conditions	MIN	TYP	MAX	UNIT
Collector-base breakdown voltage	$V_{(BR)CBO}$	$I_C=-100\mu A, I_E=0$	-60			V
Collector-emitter breakdown voltage	$V_{(BR)CEO}$	$I_C=-1mA, I_B=0$	-60			V
Emitter-base breakdown voltage	$V_{(BR)EBO}$	$I_E=-100\mu A, I_C=0$	-7			V
Collector cut-off current	I_{CBO}	$V_{CB}=-60V, I_E=0$			-10	μA
Emitter cut-off current	I_{EBO}	$V_{EB}=-7V, I_C=0$			-10	μA
DC current gain	$h_{FE(1)}$	$V_{CE}=-2V, I_C=-200mA$	60			
	$h_{FE(2)}$	$V_{CE}=-2V, I_C=-600mA$	100		400	
	$h_{FE(3)}$	$V_{CE}=-2V, I_C=-2A$		50		
Collector-emitter saturation voltage	$V_{CE(sat)}$	$I_C=-1.5A, I_B=-150mA$			-0.3	V
Base-emitter saturation voltage	$V_{BE(sat)}$	$I_C=-1.5A, I_B=-150mA$			-1.2	V
Transition frequency	f_T	$V_{CE}=-5V, I_C=-1.5A$		120		MHZ
Collector output capacitance	C_{ob}	$V_{CB}=-1.0V, I_E=0, f=1MHz$		30		pF
Switching Time	Turn on Time	t_{on}		0.5		μs
	Storage Time	t_{stg}	$V_{CC}=-10V, I_C=-1A, I_{B1}=-I_{B2}=-0.1A$	2.0		
	Fall Time	t_f		0.5		

CLASSIFICATION OF $h_{FE(1)}$

Rank	M	L	K
Range	100-200	160-320	200-400