

The revision list can be viewed directly by clicking the title page.

The revision list summarizes the locations of revisions and additions. Details should always be checked by referring to the relevant text.

**32**

# H8SX/1651 Group

## Hardware Manual

Renesas 32-Bit CISC Microcomputer  
H8SX Family / H8SX/1600 Series

H8SX/1651C      R5S61651C

All information contained in this material, including products and product specifications at the time of publication of this material, is subject to change by Renesas Technology Corp. without notice. Please review the latest information published by Renesas Technology Corp. through various means, including the Renesas Technology Corp. website (<http://www.renesas.com>).

Rev.2.00  
Revision Date: Jun. 28, 2007

Renesas Technology  
[www.renesas.com](http://www.renesas.com)



## Notes regarding these materials

1. This document is provided for reference purposes only so that Renesas customers may select the appropriate Renesas products for their use. Renesas neither makes warranties or representations with respect to the accuracy or completeness of the information contained in this document nor grants any license to any intellectual property rights or any other rights of Renesas or any third party with respect to the information in this document.
2. Renesas shall have no liability for damages or infringement of any intellectual property or other rights arising out of the use of any information in this document, including, but not limited to, product data, diagrams, charts, programs, algorithms, and application circuit examples.
3. You should not use the products or the technology described in this document for the purpose of military applications such as the development of weapons of mass destruction or for the purpose of any other military use. When exporting the products or technology described herein, you should follow the applicable export control laws and regulations, and procedures required by such laws and regulations.
4. All information included in this document such as product data, diagrams, charts, programs, algorithms, and application circuit examples, is current as of the date this document is issued. Such information, however, is subject to change without any prior notice. Before purchasing or using any Renesas products listed in this document, please confirm the latest product information with a Renesas sales office. Also, please pay regular and careful attention to additional and different information to be disclosed by Renesas such as that disclosed through our website. (<http://www.renesas.com>)
5. Renesas has used reasonable care in compiling the information included in this document, but Renesas assumes no liability whatsoever for any damages incurred as a result of errors or omissions in the information included in this document.
6. When using or otherwise relying on the information in this document, you should evaluate the information in light of the total system before deciding about the applicability of such information to the intended application. Renesas makes no representations, warranties or guaranties regarding the suitability of its products for any particular application and specifically disclaims any liability arising out of the application and use of the information in this document or Renesas products.
7. With the exception of products specified by Renesas as suitable for automobile applications, Renesas products are not designed, manufactured or tested for applications or otherwise in systems the failure or malfunction of which may cause a direct threat to human life or create a risk of human injury or which require especially high quality and reliability such as safety systems, or equipment or systems for transportation and traffic, healthcare, combustion control, aerospace and aeronautics, nuclear power, or undersea communication transmission. If you are considering the use of our products for such purposes, please contact a Renesas sales office beforehand. Renesas shall have no liability for damages arising out of the uses set forth above.
8. Notwithstanding the preceding paragraph, you should not use Renesas products for the purposes listed below:
  - (1) artificial life support devices or systems
  - (2) surgical implantations
  - (3) healthcare intervention (e.g., excision, administration of medication, etc.)
  - (4) any other purposes that pose a direct threat to human lifeRenesas shall have no liability for damages arising out of the uses set forth in the above and purchasers who elect to use Renesas products in any of the foregoing applications shall indemnify and hold harmless Renesas Technology Corp., its affiliated companies and their officers, directors, and employees against any and all damages arising out of such applications.
9. You should use the products described herein within the range specified by Renesas, especially with respect to the maximum rating, operating supply voltage range, movement power voltage range, heat radiation characteristics, installation and other product characteristics. Renesas shall have no liability for malfunctions or damages arising out of the use of Renesas products beyond such specified ranges.
10. Although Renesas endeavors to improve the quality and reliability of its products, IC products have specific characteristics such as the occurrence of failure at a certain rate and malfunctions under certain use conditions. Please be sure to implement safety measures to guard against the possibility of physical injury, and injury or damage caused by fire in the event of the failure of a Renesas product, such as safety design for hardware and software including but not limited to redundancy, fire control and malfunction prevention, appropriate treatment for aging degradation or any other applicable measures. Among others, since the evaluation of microcomputer software alone is very difficult, please evaluate the safety of the final products or system manufactured by you.
11. In case Renesas products listed in this document are detached from the products to which the Renesas products are attached or affixed, the risk of accident such as swallowing by infants and small children is very high. You should implement safety measures so that Renesas products may not be easily detached from your products. Renesas shall have no liability for damages arising out of such detachment.
12. This document may not be reproduced or duplicated, in any form, in whole or in part, without prior written approval from Renesas.
13. Please contact a Renesas sales office if you have any questions regarding the information contained in this document, Renesas semiconductor products, or if you have any other inquiries.

# General Precautions in the Handling of MPU/MCU Products

The following usage notes are applicable to all MPU/MCU products from Renesas. For detailed usage notes on the products covered by this manual, refer to the relevant sections of the manual. If the descriptions under General Precautions in the Handling of MPU/MCU Products and in the body of the manual differ from each other, the description in the body of the manual takes precedence.

## 1. Handling of Unused Pins

Handle unused pins in accord with the directions given under Handling of Unused Pins in the manual.

- The input pins of CMOS products are generally in the high-impedance state. In operation with an unused pin in the open-circuit state, extra electromagnetic noise is induced in the vicinity of LSI, an associated shoot-through current flows internally, and malfunctions occur due to the false recognition of the pin state as an input signal become possible. Unused pins should be handled as described under Handling of Unused Pins in the manual.

## 2. Processing at Power-on

The state of the product is undefined at the moment when power is supplied.

- The states of internal circuits in the LSI are indeterminate and the states of register settings and pins are undefined at the moment when power is supplied.

In a finished product where the reset signal is applied to the external reset pin, the states of pins are not guaranteed from the moment when power is supplied until the reset process is completed.

In a similar way, the states of pins in a product that is reset by an on-chip power-on reset function are not guaranteed from the moment when power is supplied until the power reaches the level at which resetting has been specified.

## 3. Prohibition of Access to Reserved Addresses

Access to reserved addresses is prohibited.

- The reserved addresses are provided for the possible future expansion of functions. Do not access these addresses; the correct operation of LSI is not guaranteed if they are accessed.

## 4. Clock Signals

After applying a reset, only release the reset line after the operating clock signal has become stable. When switching the clock signal during program execution, wait until the target clock signal has stabilized.

- When the clock signal is generated with an external resonator (or from an external oscillator) during a reset, ensure that the reset line is only released after full stabilization of the clock signal. Moreover, when switching to a clock signal produced with an external resonator (or by an external oscillator) while program execution is in progress, wait until the target clock signal is stable.

## 5. Differences between Products

Before changing from one product to another, i.e. to one with a different type number, confirm that the change will not lead to problems.

- The characteristics of MPU/MCU in the same group but having different type numbers may differ because of the differences in internal memory capacity and layout pattern. When changing to products of different type numbers, implement a system-evaluation test for each of the products.

# How to Use This Manual

## 1. Objective and Target Users

This manual was written to explain the hardware functions and electrical characteristics of this LSI to the target users, i.e. those who will be using this LSI in the design of application systems. Target users are expected to understand the fundamentals of electrical circuits, logic circuits, and microcomputers.

This manual is organized in the following items: an overview of the product, descriptions of the CPU, system control functions, and peripheral functions, electrical characteristics of the device, and usage notes.

When designing an application system that includes this LSI, take all points to note into account. Points to note are given in their contexts and at the final part of each section, and in the section giving usage notes.

The list of revisions is a summary of major points of revision or addition for earlier versions. It does not cover all revised items. For details on the revised points, see the actual locations in the manual.

The following documents have been prepared for the H8SX/1651 Group. Before using any of the documents, please visit our web site to verify that you have the most up-to-date available version of the document.

Document Type	Contents	Document Title	Document No.
Data Sheet	Overview of hardware and electrical characteristics	—	—
Hardware Manual	Hardware specifications (pin assignments, memory maps, peripheral specifications, electrical characteristics, and timing charts) and descriptions of operation	H8SX/1651 Group Hardware Manual	This manual
Software Manual	Detailed descriptions of the CPU and instruction set	H8SX Software Manual	REJ09B0102
Application Note	Examples of applications and sample programs	The latest versions are available from our web site.	
Renesas Technical Update	Preliminary report on the specifications of a product, document, etc.		

## 2. Description of Numbers and Symbols

Aspects of the notations for register names, bit names, numbers, and symbolic names in this manual are explained below.

### (1) Overall notation

In descriptions involving the names of bits and bit fields within this manual, the modules and registers to which the bits belong may be clarified by giving the names in the forms "module name"."register name"."bit name" or "register name"."bit name".

### (2) Register notation

The style "register name"\_"instance number" is used in cases where there is more than one instance of the same function or similar functions.

[Example] CMCSR\_0: Indicates the CMCSR register for the compare-match timer of channel 0.

### (3) Number notation

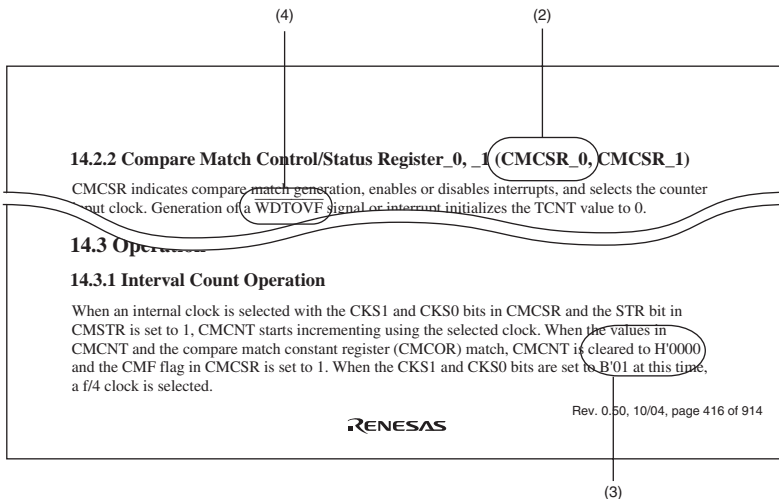
Binary numbers are given as B'nnnn (B' may be omitted if the number is obviously binary), hexadecimal numbers are given as H'nnnn or 0xnnnn, and decimal numbers are given as nnnn.

[Examples] Binary: B'11 or 11  
Hexadecimal: H'EFA0 or 0xEFA0  
Decimal: 1234

### (4) Notation for active-low

An overbar on the name indicates that a signal or pin is active-low.

[Example]  $\overline{\text{WDTOVF}}$

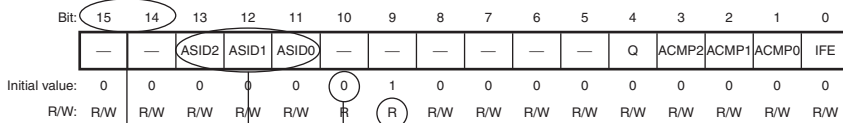


Note: The bit names and sentences in the above figure are examples and have nothing to do with the contents of this manual.

### 3. Description of Registers

Each register description includes a bit chart, illustrating the arrangement of bits, and a table of bits, describing the meanings of the bit settings. The standard format and notation for bit charts and tables are described below.

[Bit Chart]



[Table of Bits]

Bit	Bit Name	Initial Value	R/W	Description
15	—	0	R	Reserved
14	—	0	R	Reserved
13 to 11	ASID2 to ASID0	All 0	R/W	Address Identifier These bits enable or disable the pin function.
10	—	0	R	Reserved This bit is always read as 0.
9	—	1	R	Reserved This bit is always read as 1.
8 to 0	—	0	—	Reserved

Note: The bit names and sentences in the above figure are examples, and have nothing to do with the contents of this manual.

- (1) Bit  
Indicates the bit number or numbers.  
In the case of a 32-bit register, the bits are arranged in order from 31 to 0. In the case of a 16-bit register, the bits are arranged in order from 15 to 0.
- (2) Bit name  
Indicates the name of the bit or bit field.  
When the number of bits has to be clearly indicated in the field, appropriate notation is included (e.g., ASID[3:0]).  
A reserved bit is indicated by "—".  
Certain kinds of bits, such as those of timer counters, are not assigned bit names. In such cases, the entry under Bit Name is blank.
- (3) Initial value  
Indicates the value of each bit immediately after a power-on reset, i.e., the initial value.  
0: The initial value is 0  
1: The initial value is 1  
—: The initial value is undefined
- (4) R/W  
For each bit and bit field, this entry indicates whether the bit or field is readable or writable, or both writing to and reading from the bit or field are impossible.  
The notation is as follows:  
R/W: The bit or field is readable and writable.  
R/(W): The bit or field is readable and writable.  
However, writing is only performed to flag clearing.  
R: The bit or field is readable.  
"R" is indicated for all reserved bits. When writing to the register, write the value under Initial Value in the bit chart to reserved bits or fields.  
W: The bit or field is writable.
- (5) Description  
Describes the function of the bit or field and specifies the values for writing.

#### 4. Description of Abbreviations

The abbreviations used in this manual are listed below.

- Abbreviations specific to this product

<b>Abbreviation</b>	<b>Description</b>
BSC	Bus controller
CPG	Clock pulse generator
DTC	Data transfer controller
INTC	Interrupt controller
PPG	Programmable pulse generator
SCI	Serial communication interface
TMR	8-bit timer
TPU	16-bit timer pulse unit
WDT	Watchdog timer

- Abbreviations other than those listed above

<b>Abbreviation</b>	<b>Description</b>
ACIA	Asynchronous communication interface adapter
bps	Bits per second
CRC	Cyclic redundancy check
DMA	Direct memory access
DMAC	Direct memory access controller
GSM	Global System for Mobile Communications
Hi-Z	High impedance
IEBus	Inter Equipment Bus (IEBus is a trademark of NEC Electronics Corporation.)
I/O	Input/output
IrDA	Infrared Data Association
LSB	Least significant bit
MSB	Most significant bit
NC	No connection
PLL	Phase-locked loop
PWM	Pulse width modulation
SFR	Special function register
SIM	Subscriber Identity Module
UART	Universal asynchronous receiver/transmitter
VCO	Voltage-controlled oscillator

All trademarks and registered trademarks are the property of their respective owners.



# Contents

Section 1	Overview	1
1.1	Features	1
1.1.1	Applications	1
1.1.2	Overview of Functions	2
1.2	List of Products	7
1.3	Block Diagram	8
1.4	Pin Assignments	9
1.5	Pin Functions	10
Section 2	CPU	15
2.1	Features	15
2.2	CPU Operating Modes	17
2.2.1	Normal Mode	17
2.2.2	Middle Mode	19
2.2.3	Advanced Mode	20
2.2.4	Maximum Mode	21
2.3	Instruction Fetch	23
2.4	Address Space	23
2.5	Registers	24
2.5.1	General Registers	25
2.5.2	Program Counter (PC)	26
2.5.3	Condition-Code Register (CCR)	26
2.5.4	Extended Control Register (EXR)	28
2.5.5	Vector Base Register (VBR)	28
2.5.6	Short Address Base Register (SBR)	28
2.5.7	Multiply-Accumulate Register (MAC)	29
2.5.8	Initial Register Values	29
2.6	Data Formats	30
2.6.1	General Register Data Formats	30
2.6.2	Memory Data Formats	31
2.7	Instruction Set	32
2.7.1	Instructions and Addressing Modes	34
2.7.2	Table of Instructions Classified by Function	39
2.7.3	Basic Instruction Formats	50
2.8	Addressing Modes and Effective Address Calculation	51
2.8.1	Register Direct—Rn	52

2.8.2	Register Indirect—@ERn.....	52
2.8.3	Register Indirect with Displacement—@(d:2, ERn), @(d:16, ERn), or @(d:32, ERn).....	52
2.8.4	Index Register Indirect with Displacement—@(d:16,RnL.B), @(d:32,RnL.B), @(d:16,Rn.W), @(d:32,Rn.W), @(d:16,ERn.L), or @(d:32,ERn.L).....	52
2.8.5	Register Indirect with Post-Increment, Pre-Decrement, Pre-Increment, or Post-Decrement—@ERn+, @-ERn, @+ERn, or @ERn- .....	53
2.8.6	Absolute Address—@aa:8, @aa:16, @aa:24, or @aa:32.....	54
2.8.7	Immediate—#xx .....	55
2.8.8	Program-Counter Relative—@(d:8, PC) or @(d:16, PC) .....	56
2.8.9	Program-Counter Relative with Index Register—@(RnL.B, PC), @(Rn.W, PC), or @(ERn.L, PC).....	56
2.8.10	Memory Indirect—@@aa:8 .....	56
2.8.11	Extended Memory Indirect—@@vec:7 .....	57
2.8.12	Effective Address Calculation .....	57
2.8.13	MOVA Instruction.....	59
2.9	Processing States .....	60
<b>Section 3 MCU Operating Modes .....</b>		<b>63</b>
3.1	Operating Mode Selection .....	63
3.2	Register Descriptions.....	64
3.2.1	Mode Control Register (MDCR) .....	64
3.2.2	System Control Register (SYSCR).....	66
3.3	Operating Mode Descriptions .....	68
3.3.1	Mode 4.....	68
3.3.2	Mode 5.....	68
3.3.3	Pin Functions .....	69
3.4	Address Map.....	70
3.4.1	Address Map (Advanced Mode).....	70
<b>Section 4 Exception Handling .....</b>		<b>71</b>
4.1	Exception Handling Types and Priority.....	71
4.2	Exception Sources and Exception Handling Vector Table .....	72
4.3	Reset .....	74
4.3.1	Reset Exception Handling .....	74
4.3.2	Interrupts after Reset.....	75
4.3.3	On-Chip Peripheral Functions after Reset Release.....	75
4.4	Traces.....	77
4.5	Address Error.....	78
4.5.1	Address Error Source.....	78

4.5.2	Address Error Exception Handling .....	79
4.6	Interrupts.....	80
4.6.1	Interrupt Sources.....	80
4.6.2	Interrupt Exception Handling .....	80
4.7	Instruction Exception Handling .....	81
4.7.1	Trap Instruction.....	81
4.7.2	Exception Handling by Illegal Instruction .....	82
4.8	Stack Status after Exception Handling.....	83
4.9	Usage Note.....	84
 Section 5 Interrupt Controller .....		 85
5.1	Features.....	85
5.2	Input/Output Pins .....	87
5.3	Register Descriptions .....	87
5.3.1	Interrupt Control Register (INTCR) .....	88
5.3.2	CPU Priority Control Register (CPUPCR) .....	89
5.3.3	Interrupt Priority Registers A to C, E to I, K, and L (IPRA to IPRC, IPRE to IPRI, IPRK, and IPRL) .....	91
5.3.4	IRQ Enable Register (IER) .....	93
5.3.5	IRQ Sense Control Registers H and L (ISCRH, ISCRL).....	95
5.3.6	IRQ Status Register (ISR).....	99
5.3.7	Software Standby Release IRQ Enable Register (SSIER) .....	100
5.4	Interrupt Sources.....	101
5.4.1	External Interrupts .....	101
5.4.2	Internal Interrupts .....	102
5.4.3	Sleep Interrupt.....	102
5.5	Interrupt Exception Handling Vector Table.....	103
5.6	Interrupt Control Modes and Interrupt Operation.....	108
5.6.1	Interrupt Control Mode 0 .....	108
5.6.2	Interrupt Control Mode 2 .....	110
5.6.3	Interrupt Exception Handling Sequence .....	112
5.6.4	Interrupt Response Times .....	113
5.6.5	DTC and DMAC Activation by Interrupt .....	114
5.7	CPU Priority Control Function Over DTC and DMAC.....	117
5.8	Usage Notes .....	120
5.8.1	Conflict between Interrupt Generation and Disabling .....	120
5.8.2	Instructions that Disable Interrupts .....	121
5.8.3	Times when Interrupts are Disabled .....	121
5.8.4	Interrupts during Execution of EEPMOV Instruction.....	121
5.8.5	Interrupts during Execution of MOVMD and MOVSD Instructions.....	121

5.8.6	Interrupt Source Flag of Peripheral Module .....	122
Section 6	Bus Controller (BSC) .....	123
6.1	Features.....	123
6.2	Register Descriptions.....	126
6.2.1	Bus Width Control Register (ABWCR).....	127
6.2.2	Access State Control Register (ASTCR) .....	128
6.2.3	Wait Control Registers A and B (WTCRA, WTCRB) .....	129
6.2.4	Read Strobe Timing Control Register (RDNCR) .....	134
6.2.5	$\overline{\text{CS}}$ Assertion Period Control Registers (CSACR) .....	135
6.2.6	Idle Control Register (IDLCR) .....	138
6.2.7	Bus Control Register 1 (BCR1) .....	140
6.2.8	Bus Control Register 2 (BCR2) .....	142
6.2.9	Endian Control Register (ENDIANCR) .....	143
6.2.10	SRAM Mode Control Register (SRAMCR) .....	144
6.2.11	Burst ROM Interface Control Register (BROMCR) .....	145
6.2.12	Address/Data Multiplexed I/O Control Register (MPXCR) .....	147
6.3	Bus Configuration.....	148
6.4	Multi-Clock Function and Number of Access Cycles .....	149
6.5	External Bus .....	153
6.5.1	Input/Output Pins.....	153
6.5.2	Area Division.....	156
6.5.3	Chip Select Signals .....	157
6.5.4	External Bus Interface .....	158
6.5.5	Area and External Bus Interface .....	162
6.5.6	Endian and Data Alignment.....	167
6.6	Basic Bus Interface .....	170
6.6.1	Data Bus .....	170
6.6.2	I/O Pins Used for Basic Bus Interface .....	170
6.6.3	Basic Timing.....	171
6.6.4	Wait Control .....	178
6.6.5	Read Strobe ( $\overline{\text{RD}}$ ) Timing.....	180
6.6.6	Extension of Chip Select ( $\overline{\text{CS}}$ ) Assertion Period.....	182
6.6.7	$\overline{\text{DACK}}$ Signal Output Timing .....	184
6.7	Byte Control SRAM Interface .....	185
6.7.1	Byte Control SRAM Space Setting.....	185
6.7.2	Data Bus .....	185
6.7.3	I/O Pins Used for Byte Control SRAM Interface .....	186
6.7.4	Basic Timing.....	187
6.7.5	Wait Control .....	189

6.7.6	Read Strobe ( $\overline{RD}$ ).....	191
6.7.7	Extension of Chip Select ( $\overline{CS}$ ) Assertion Period.....	191
6.7.8	$\overline{DACK}$ Signal Output Timing .....	191
6.8	Burst ROM Interface .....	193
6.8.1	Burst ROM Space Setting.....	193
6.8.2	Data Bus.....	193
6.8.3	I/O Pins Used for Burst ROM Interface.....	194
6.8.4	Basic Timing.....	194
6.8.5	Wait Control .....	197
6.8.6	Read Strobe ( $\overline{RD}$ ) Timing.....	197
6.8.7	Extension of Chip Select ( $\overline{CS}$ ) Assertion Period.....	197
6.9	Address/Data Multiplexed I/O Interface.....	198
6.9.1	Address/Data Multiplexed I/O Space Setting .....	198
6.9.2	Address/Data Multiplex .....	198
6.9.3	Data Bus.....	198
6.9.4	I/O Pins Used for Address/Data Multiplexed I/O Interface .....	199
6.9.5	Basic Timing.....	200
6.9.6	Address Cycle Control.....	201
6.9.7	Wait Control .....	202
6.9.8	Read Strobe ( $\overline{RD}$ ) Timing.....	203
6.9.9	Extension of Chip Select ( $\overline{CS}$ ) Assertion Period.....	204
6.9.10	$\overline{DACK}$ Signal Output Timing .....	206
6.10	Idle Cycle.....	207
6.10.1	Operation .....	207
6.10.2	Pin States in Idle Cycle .....	216
6.11	Bus Release.....	217
6.11.1	Operation .....	217
6.11.2	Pin States in External Bus Released State.....	218
6.11.3	Transition Timing .....	219
6.12	Internal Bus.....	220
6.12.1	Access to Internal Address Space .....	220
6.13	Write Data Buffer Function .....	221
6.13.1	Write Data Buffer Function for External Data Bus.....	221
6.13.2	Write Data Buffer Function for Peripheral Modules .....	222
6.14	Bus Arbitration .....	223
6.14.1	Operation .....	223
6.14.2	Bus Transfer Timing.....	224
6.15	Bus Controller Operation in Reset.....	226
6.16	Usage Notes .....	226

Section 7	DMA Controller (DMAC)	229
7.1	Features	229
7.2	Input/Output Pins	232
7.3	Register Descriptions	233
7.3.1	DMA Source Address Register (DSAR)	235
7.3.2	DMA Destination Address Register (DDAR)	236
7.3.3	DMA Offset Register (DOFR)	237
7.3.4	DMA Transfer Count Register (DTCR)	238
7.3.5	DMA Block Size Register (DBSR)	239
7.3.6	DMA Mode Control Register (DMDR)	240
7.3.7	DMA Address Control Register (DACR)	249
7.3.8	DMA Module Request Select Register (DMRSR)	256
7.4	Transfer Modes	256
7.5	Operations	257
7.5.1	Address Modes	257
7.5.2	Transfer Modes	260
7.5.3	Activation Sources	265
7.5.4	Bus Access Modes	267
7.5.5	Extended Repeat Area Function	268
7.5.6	Address Update Function using Offset	270
7.5.7	Register during DMA Transfer	276
7.5.8	Priority of Channels	281
7.5.9	DMA Basic Bus Cycle	283
7.5.10	Bus Cycles in Dual Address Mode	284
7.5.11	Bus Cycles in Single Address Mode	293
7.6	DMA Transfer End	298
7.7	Relationship among DMAC and Other Bus Masters	300
7.7.1	CPU Priority Control Function Over DMAC	300
7.7.2	Bus Arbitration among DMAC and Other Bus Masters	301
7.8	Interrupt Sources	302
7.9	Notes on Usage	305
Section 8	Data Transfer Controller (DTC)	307
8.1	Features	307
8.2	Register Descriptions	309
8.2.1	DTC Mode Register A (MRA)	310
8.2.2	DTC Mode Register B (MRB)	311
8.2.3	DTC Source Address Register (SAR)	313
8.2.4	DTC Destination Address Register (DAR)	313
8.2.5	DTC Transfer Count Register A (CRA)	314

8.2.6	DTC Transfer Count Register B (CRB).....	314
8.2.7	DTC Enable Registers A to H (DTCERA to DTCERH) .....	315
8.2.8	DTC Control Register (DTCCR) .....	316
8.2.9	DTC Vector Base Register (DTCVBR).....	317
8.3	Activation Sources .....	318
8.4	Location of Transfer Information and DTC Vector Table .....	318
8.5	Operation .....	322
8.5.1	Bus Cycle Division .....	324
8.5.2	Transfer Information Read Skip Function .....	326
8.5.3	Transfer Information Writeback Skip Function .....	327
8.5.4	Normal Transfer Mode .....	327
8.5.5	Repeat Transfer Mode.....	328
8.5.6	Block Transfer Mode .....	330
8.5.7	Chain Transfer .....	331
8.5.8	Operation Timing.....	332
8.5.9	Number of DTC Execution Cycles .....	334
8.5.10	DTC Bus Release Timing .....	335
8.5.11	DTC Priority Level Control to the CPU .....	335
8.6	DTC Activation by Interrupt.....	336
8.7	Examples of Use of the DTC .....	337
8.7.1	Normal Transfer Mode .....	337
8.7.2	Chain Transfer .....	338
8.7.3	Chain Transfer when Counter = 0.....	339
8.8	Interrupt Sources.....	340
8.9	Usage Notes .....	341
8.9.1	Module Stop Mode Setting .....	341
8.9.2	On-Chip RAM .....	341
8.9.3	DMAC Transfer End Interrupt.....	341
8.9.4	DTCE Bit Setting.....	341
8.9.5	Chain Transfer .....	341
8.9.6	Transfer Information Start Address, Source Address, and Destination Address .....	342
8.9.7	Transfer Information Modification .....	342
8.9.8	Endian .....	342
<b>Section 9 I/O Ports .....</b>		<b>343</b>
9.1	Register Descriptions .....	350
9.1.1	Data Direction Register (PnDDR) (n = 1 to 3, 6, A, B, D to F, H, and I).....	351
9.1.2	Data Register (PnDR) (n = 1 to 3, 6, A, B, D to F, H, and I).....	351
9.1.3	Port Register (PORTn) (n = 1 to 3, 5, 6, A, B, D to F, H, and I) .....	352

9.1.4	Input Buffer Control Register (PnICR) (n = 1 to 3, 5, 6, A, B, D to F, H, and I).....	352
9.1.5	Pull-Up MOS Control Register (PnPCR) (n = D to F, H, and I) .....	353
9.1.6	Open-Drain Control Register (PnODR) (n = 2 and F).....	354
9.2	Output Buffer Control.....	355
9.2.1	Port 1.....	355
9.2.2	Port 2.....	358
9.2.3	Port 3.....	362
9.2.4	Port 5.....	366
9.2.5	Port 6.....	367
9.2.6	Port A.....	370
9.2.7	Port B.....	373
9.2.8	Port D.....	375
9.2.9	Port E.....	376
9.2.10	Port F.....	376
9.2.11	Port H.....	379
9.2.12	Port I.....	379
9.3	Port Function Controller.....	386
9.3.1	Port Function Control Register 0 (PFCR0).....	386
9.3.2	Port Function Control Register 1 (PFCR1).....	387
9.3.3	Port Function Control Register 2 (PFCR2).....	388
9.3.4	Port Function Control Register 4 (PFCR4).....	390
9.3.5	Port Function Control Register 6 (PFCR6).....	391
9.3.6	Port Function Control Register 7 (PFCR7).....	392
9.3.7	Port Function Control Register 9 (PFCR9).....	393
9.3.8	Port Function Control Register B (PFCRB) .....	395
9.3.9	Port Function Control Register C (PFCRC) .....	396
9.4	Usage Notes.....	398
9.4.1	Notes on Input Buffer Control Register (ICR) Setting .....	398
9.4.2	Notes on Port Function Control Register (PFCR) Settings.....	398
<b>Section 10 16-Bit Timer Pulse Unit (TPU).....</b>		<b>399</b>
10.1	Features.....	399
10.2	Input/Output Pins.....	403
10.3	Register Descriptions.....	404
10.3.1	Timer Control Register (TCR).....	407
10.3.2	Timer Mode Register (TMDR).....	412
10.3.3	Timer I/O Control Register (TIOR).....	413
10.3.4	Timer Interrupt Enable Register (TIER).....	431
10.3.5	Timer Status Register (TSR).....	433



10.3.6	Timer Counter (TCNT).....	437
10.3.7	Timer General Register (TGR) .....	437
10.3.8	Timer Start Register (TSTR) .....	438
10.3.9	Timer Synchronous Register (TSYR).....	439
10.4	Operation .....	440
10.4.1	Basic Functions.....	440
10.4.2	Synchronous Operation.....	446
10.4.3	Buffer Operation.....	448
10.4.4	Cascaded Operation .....	452
10.4.5	PWM Modes .....	454
10.4.6	Phase Counting Mode.....	460
10.5	Interrupt Sources.....	466
10.6	DTC Activation.....	468
10.7	DMAC Activation.....	468
10.8	A/D Converter Activation.....	469
10.9	Operation Timing.....	469
10.9.1	Input/Output Timing .....	469
10.9.2	Interrupt Signal Timing.....	473
10.10	Usage Notes .....	477
10.10.1	Module Stop Mode Setting .....	477
10.10.2	Input Clock Restrictions .....	477
10.10.3	Caution on Cycle Setting .....	478
10.10.4	Conflict between TCNT Write and Clear Operations .....	478
10.10.5	Conflict between TCNT Write and Increment Operations .....	479
10.10.6	Conflict between TGR Write and Compare Match.....	479
10.10.7	Conflict between Buffer Register Write and Compare Match .....	480
10.10.8	Conflict between TGR Read and Input Capture .....	481
10.10.9	Conflict between TGR Write and Input Capture .....	481
10.10.10	Conflict between Buffer Register Write and Input Capture.....	482
10.10.11	Conflict between Overflow/Underflow and Counter Clearing .....	483
10.10.12	Conflict between TCNT Write and Overflow/Underflow .....	483
10.10.13	Multiplexing of I/O Pins .....	484
10.10.14	Interrupts and Module Stop Mode .....	484
Section 11 Programmable Pulse Generator (PPG) .....		485
11.1	Features.....	485
11.2	Input/Output Pins .....	487
11.3	Register Descriptions .....	488
11.3.1	Next Data Enable Registers H, L (NDERH, NDERL) .....	488
11.3.2	Output Data Registers H, L (PODRH, PODRL).....	490

11.3.3	Next Data Registers H, L (NDRH, NDRL) .....	491
11.3.4	PPG Output Control Register (PCR) .....	494
11.3.5	PPG Output Mode Register (PMR) .....	495
11.4	Operation .....	497
11.4.1	Output Timing .....	498
11.4.2	Sample Setup Procedure for Normal Pulse Output.....	499
11.4.3	Example of Normal Pulse Output (Example of 5-Phase Pulse Output).....	500
11.4.4	Non-Overlapping Pulse Output.....	501
11.4.5	Sample Setup Procedure for Non-Overlapping Pulse Output.....	503
11.4.6	Example of Non-Overlapping Pulse Output (Example of 4-Phase Complementary Non-Overlapping Pulse Output) .....	504
11.4.7	Inverted Pulse Output .....	506
11.4.8	Pulse Output Triggered by Input Capture .....	507
11.5	Usage Notes.....	508
11.5.1	Module Stop Mode Setting .....	508
11.5.2	Operation of Pulse Output Pins.....	508
Section 12 8-Bit Timers (TMR) .....		509
12.1	Features.....	509
12.2	Input/Output Pins.....	512
12.3	Register Descriptions.....	513
12.3.1	Timer Counter (TCNT).....	514
12.3.2	Time Constant Register A (TCORA).....	514
12.3.3	Time Constant Register B (TCORB).....	515
12.3.4	Timer Control Register (TCR).....	515
12.3.5	Timer Counter Control Register (TCCR) .....	517
12.3.6	Timer Control/Status Register (TCSR).....	519
12.4	Operation .....	524
12.4.1	Pulse Output.....	524
12.4.2	Reset Input.....	525
12.5	Operation Timing.....	526
12.5.1	TCNT Count Timing .....	526
12.5.2	Timing of CMFA and CMFB Setting at Compare Match .....	526
12.5.3	Timing of Timer Output at Compare Match.....	527
12.5.4	Timing of Counter Clear by Compare Match .....	527
12.5.5	Timing of TCNT External Reset.....	528
12.5.6	Timing of Overflow Flag (OVF) Setting .....	528
12.6	Operation with Cascaded Connection.....	529
12.6.1	16-Bit Counter Mode .....	529
12.6.2	Compare Match Count Mode.....	529

12.7	Interrupt Sources.....	530
12.7.1	Interrupt Sources and DTC Activation .....	530
12.7.2	A/D Converter Activation.....	530
12.8	Usage Notes .....	531
12.8.1	Notes on Setting Cycle.....	531
12.8.2	Conflict between TCNT Write and Clear .....	531
12.8.3	Conflict between TCNT Write and Increment.....	531
12.8.4	Conflict between TCOR Write and Compare Match.....	532
12.8.5	Conflict between Compare Matches A and B.....	533
12.8.6	Switching of Internal Clocks and TCNT Operation.....	533
12.8.7	Mode Setting with Cascaded Connection .....	535
12.8.8	Module Stop Mode Setting .....	535
12.8.9	Interrupts in Module Stop Mode.....	535
Section 13 Watchdog Timer (WDT).....		537
13.1	Features.....	537
13.2	Input/Output Pin .....	538
13.3	Register Descriptions.....	538
13.3.1	Timer Counter (TCNT).....	538
13.3.2	Timer Control/Status Register (TCSR).....	539
13.3.3	Reset Control/Status Register (RSTCSR).....	540
13.4	Operation .....	542
13.4.1	Watchdog Timer Mode.....	542
13.4.2	Interval Timer Mode.....	543
13.5	Interrupt Source .....	544
13.6	Usage Notes .....	544
13.6.1	Notes on Register Access.....	544
13.6.2	Conflict between Timer Counter (TCNT) Write and Increment.....	545
13.6.3	Changing Values of Bits CKS2 to CKS0.....	546
13.6.4	Switching between Watchdog Timer Mode and Interval Timer Mode.....	546
13.6.5	Internal Reset in Watchdog Timer Mode.....	546
13.6.6	System Reset by $\overline{\text{WDTOVF}}$ Signal.....	546
13.6.7	Transition to Watchdog Timer Mode or Software Standby Mode.....	547
Section 14 Serial Communication Interface (SCI) .....		549
14.1	Features.....	549
14.2	Input/Output Pins.....	551
14.3	Register Descriptions.....	552
14.3.1	Receive Shift Register (RSR) .....	554
14.3.2	Receive Data Register (RDR).....	554

14.3.3	Transmit Data Register (TDR).....	554
14.3.4	Transmit Shift Register (TSR).....	555
14.3.5	Serial Mode Register (SMR) .....	555
14.3.6	Serial Control Register (SCR) .....	558
14.3.7	Serial Status Register (SSR) .....	563
14.3.8	Smart Card Mode Register (SCMR).....	571
14.3.9	Bit Rate Register (BRR) .....	572
14.3.10	Serial Extended Mode Register (SEMR).....	579
14.4	Operation in Asynchronous Mode.....	581
14.4.1	Data Transfer Format.....	582
14.4.2	Receive Data Sampling Timing and Reception Margin in Asynchronous Mode.....	583
14.4.3	Clock.....	584
14.4.4	SCI Initialization (Asynchronous Mode).....	585
14.4.5	Serial Data Transmission (Asynchronous Mode) .....	586
14.4.6	Serial Data Reception (Asynchronous Mode) .....	588
14.5	Multiprocessor Communication Function .....	592
14.5.1	Multiprocessor Serial Data Transmission.....	594
14.5.2	Multiprocessor Serial Data Reception .....	595
14.6	Operation in Clocked Synchronous Mode.....	598
14.6.1	Clock.....	598
14.6.2	SCI Initialization (Clocked Synchronous Mode).....	599
14.6.3	Serial Data Transmission (Clocked Synchronous Mode) .....	600
14.6.4	Serial Data Reception (Clocked Synchronous Mode) .....	602
14.6.5	Simultaneous Serial Data Transmission and Reception (Clocked Synchronous Mode) .....	604
14.7	Operation in Smart Card Interface Mode.....	606
14.7.1	Sample Connection .....	606
14.7.2	Data Format (Except in Block Transfer Mode) .....	607
14.7.3	Block Transfer Mode .....	608
14.7.4	Receive Data Sampling Timing and Reception Margin .....	609
14.7.5	Initialization.....	610
14.7.6	Data Transmission (Except in Block Transfer Mode) .....	611
14.7.7	Serial Data Reception (Except in Block Transfer Mode) .....	614
14.7.8	Clock Output Control.....	615
14.8	Interrupt Sources.....	617
14.8.1	Interrupts in Normal Serial Communication Interface Mode .....	617
14.8.2	Interrupts in Smart Card Interface Mode .....	618
14.9	Usage Notes.....	619
14.9.1	Module Stop Mode Setting .....	619

14.9.2	Break Detection and Processing .....	619
14.9.3	Mark State and Break Detection .....	619
14.9.4	Receive Error Flags and Transmit Operations (Clocked Synchronous Mode Only) .....	619
14.9.5	Relation between Writing to TDR and TDRE Flag .....	620
14.9.6	Restrictions on Using DTC or DMAC.....	620
14.9.7	SCI Operations during Mode Transitions .....	621
<b>Section 15 A/D Converter.....</b>		<b>625</b>
15.1	Features.....	625
15.2	Input/Output Pins .....	627
15.3	Register Descriptions .....	627
15.3.1	A/D Data Registers A to H (ADDRA to ADDRH) .....	628
15.3.2	A/D Control/Status Register (ADCSR) .....	629
15.3.3	A/D Control Register (ADCR) .....	631
15.4	Operation .....	632
15.4.1	Single Mode.....	632
15.4.2	Scan Mode .....	633
15.4.3	Input Sampling and A/D Conversion Time .....	635
15.4.4	External Trigger Input Timing.....	636
15.5	Interrupt Source .....	637
15.6	A/D Conversion Accuracy Definitions .....	637
15.7	Usage Notes .....	639
15.7.1	Module Stop Mode Setting .....	639
15.7.2	Permissible Signal Source Impedance .....	639
15.7.3	Influences on Absolute Accuracy .....	640
15.7.4	Setting Range of Analog Power Supply and Other Pins .....	640
15.7.5	Notes on Board Design .....	640
15.7.6	Notes on Noise Countermeasures .....	641
15.7.7	A/D Input Hold Function in Software Standby Mode .....	642
<b>Section 16 D/A Converter.....</b>		<b>643</b>
16.1	Features.....	643
16.2	Input/Output Pins .....	644
16.3	Register Descriptions .....	644
16.3.1	D/A Data Registers 0 and 1 (DADR0 and DADR1).....	644
16.3.2	D/A Control Register 01 (DACR01) .....	645
16.4	Operation .....	647
16.5	Usage Notes .....	648
16.5.1	Module Stop Mode Setting .....	648

16.5.2	D/A Output Hold Function in Software Standby Mode.....	648
Section 17 RAM.....		649
Section 18 Clock Pulse Generator.....		651
18.1	Register Description .....	652
18.1.1	System Clock Control Register (SCKCR).....	652
18.2	Oscillator .....	655
18.2.1	Connecting Crystal Resonator .....	655
18.2.2	External Clock Input.....	656
18.3	PLL Circuit.....	656
18.4	Frequency Divider .....	656
18.5	Usage Notes.....	657
18.5.1	Notes on Clock Pulse Generator.....	657
18.5.2	Notes on Resonator.....	658
18.5.3	Notes on Board Design.....	658
Section 19 Power-Down Modes.....		661
19.1	Features.....	661
19.2	Register Descriptions.....	663
19.2.1	Standby Control Register (SBYCR).....	664
19.2.2	Module Stop Control Registers A, B (MSTPCRA, MSTPCRB).....	666
19.2.3	Module Stop Control Register C (MSTPCRC).....	669
19.3	Multi-Clock Function .....	670
19.4	Sleep Mode.....	671
19.4.1	Transition to Sleep Mode.....	671
19.4.2	Clearing Sleep Mode .....	671
19.5	Software Standby Mode.....	672
19.5.1	Transition to Software Standby Mode .....	672
19.5.2	Clearing Software Standby Mode.....	672
19.5.3	Setting Oscillation Settling Time after Clearing Software Standby Mode .....	673
19.5.4	Software Standby Mode Application Example.....	675
19.6	Hardware Standby Mode .....	676
19.6.1	Transition to Hardware Standby Mode.....	676
19.6.2	Clearing Hardware Standby Mode.....	676
19.6.3	Hardware Standby Mode Timing.....	676
19.6.4	Timing Sequence at Power-On.....	677
19.7	Module Stop Mode .....	678
19.7.1	Module Stop Mode .....	678
19.7.2	All-Module-Clock-Stop Mode.....	678

19.8	Sleep Instruction Exception Handling .....	679
19.9	B $\phi$ Clock Output Control .....	682
19.10	Usage Notes .....	683
19.10.1	I/O Port Status .....	683
19.10.2	Current Consumption during Oscillation Settling Standby Period .....	683
19.10.3	Module Stop Mode of DMAC or DTC .....	683
19.10.4	On-Chip Peripheral Module Interrupts .....	683
19.10.5	Writing to MSTPCRA, MSTPCRB, and MSTPCRC .....	683
Section 20 List of Registers .....		685
20.1	Register Addresses (Address Order) .....	686
20.2	Register Bits .....	697
20.3	Register States in Each Operating Mode .....	714
Section 21 Electrical Characteristics .....		725
21.1	Electrical Characteristics (at 35-MHz operation) .....	725
21.1.1	Absolute Maximum Ratings .....	725
21.1.2	DC Characteristics .....	726
21.1.3	AC Characteristics .....	729
21.1.4	A/D Conversion Characteristics .....	736
21.1.5	D/A Conversion Characteristics .....	736
21.2	Electrical Characteristics (at 50-MHz operation) .....	737
21.2.1	Absolute Maximum Ratings .....	737
21.2.2	DC Characteristics .....	738
21.2.3	AC Characteristics .....	741
21.2.4	A/D Conversion Characteristics .....	748
21.2.5	D/A Conversion Characteristics .....	748
21.3	Timing Charts .....	749
Appendix .....		769
A.	Port States in Each Pin State .....	769
B.	Product Lineup .....	772
C.	Package Dimensions .....	773
D.	Treatment of Unused Pins .....	774
Main Revisions and Additions in this Edition .....		777
Index .....		779





# Section 1 Overview

## 1.1 Features

The core of each product in the H8SX/1651 Group of CISC (complex instruction set computer) microcomputers is an H8SX CPU, which has an internal 32-bit architecture. The H8SX CPU provides upward-compatibility with the CPUs of other Renesas Technology-original microcomputers; H8/300, H8/300H, and H8S.

As peripheral functions, each LSI of the Group includes a DMA controller, which enables high-speed data transfer, and a bus-state controller, which enables direct connection to different kinds of memory. The LSI of the Group also includes serial communication interfaces, A/D and D/A converters, and a multi-function timer that makes motor control easy. Together, the modules realize low-cost configurations for end systems. The power consumption of these modules are kept down dynamically by an on-chip power-management function.

### 1.1.1 Applications

Examples of the applications of this LSI include PC peripheral equipment, optical storage devices, office automation equipment, and industrial equipment.

## 1.1.2 Overview of Functions

Table 1.1 lists the functions of H8SX/1651 Group products in outline.

**Table 1.1 Overview of Functions**

Classification	Module/ Function	Description	
Memory	—	<ul style="list-style-type: none"> <li>ROM lineup: ROMless versions only</li> </ul>	
	RAM	<ul style="list-style-type: none"> <li>RAM capacity: 40 Kbytes</li> </ul>	
CPU	CPU	<ul style="list-style-type: none"> <li>32-bit high-speed H8SX CPU (CISC type) Upward compatibility for H8/300, H8/300H, and H8S CPUs at object level</li> <li>Sixteen 16-bit general registers</li> <li>Eleven addressing modes</li> <li>4-Gbyte address space Program: 4 Gbytes available Data: 4 Gbytes available</li> <li>87 basic instructions, classifiable as bit arithmetic and logic instructions, multiply and divide instructions, bit manipulation instructions, multiply-and-accumulate instructions, and others</li> <li>Minimum instruction execution time: 20.0 ns (for an ADD instruction while system clock <math>f_{\phi}</math> = 50 MHz and <math>V_{cc}</math> = 3.0 to 3.6 V)</li> <li>On-chip multiplier (<math>16 \times 16 \rightarrow 32</math> bits)</li> <li>Supports multiply-and-accumulate instructions (<math>16 \times 16 + 32 \rightarrow 32</math> bits)</li> </ul>	
		Operating mode	<ul style="list-style-type: none"> <li>Advanced mode</li> </ul>
		MCU operating mode	<p>Mode 4: On-chip ROM disabled external extended mode, 16-bit bus (selected by driving the MD0 pin low)</p> <p>Mode 5: On-chip ROM disabled external extended mode, 8-bit bus (selected by driving the MD0 pin high)</p> <ul style="list-style-type: none"> <li>Low power consumption state (transition driven by the SLEEP instruction)</li> </ul>

Classification	Module/ Function	Description
Interrupt (source)	Interrupt controller (INTC)	<ul style="list-style-type: none"> <li>• Thirteen external interrupt pins (NMI, and IRQ11 to IRQ0)</li> <li>• 68 internal interrupt sources</li> <li>• Two interrupt control modes (specified by the interrupt control register)</li> <li>• Eight priority orders specifiable (by setting the interrupt priority register)</li> <li>• Independent vector addresses</li> </ul>
DMA	DMA controller (DMAC)	<ul style="list-style-type: none"> <li>• Four-channel DMA transfer available</li> <li>• Three activation methods (auto-request, on-chip module interrupt, external request)</li> <li>• Three transfer modes (normal transfer, repeat transfer, block transfer)</li> <li>• Dual or single address mode selectable</li> <li>• Extended repeat-area function</li> </ul>
	Data transfer controller (DTC)	<ul style="list-style-type: none"> <li>• Allows DMA transfer over 55 channels (number of DTC activation sources)</li> <li>• Activated by interrupt sources (chain transfer enabled)</li> <li>• Three transfer modes (normal transfer, repeat transfer, block transfer)</li> <li>• Short-address mode or full-address mode selectable</li> </ul>
External bus extension	Bus controller (BSC)	<ul style="list-style-type: none"> <li>• 16-Mbyte external address space</li> <li>• The external address space can be divided into eight areas, each of which is independently controllable <ul style="list-style-type: none"> <li>— Chip-select signals (<math>\overline{CS0}</math> to <math>\overline{CA7}</math>) can be output</li> <li>— Access in two or three states can be selected for each area</li> <li>— Program wait cycles can be inserted</li> <li>— The period of <math>\overline{CS}</math> assertion can be extended</li> <li>— Idle cycles can be inserted</li> </ul> </li> <li>• Bus arbitration function (arbitrates bus mastership among the internal CPU and DTC, and external bus masters)</li> </ul>

Classification	Module/ Function	Description
External bus extension	Bus controller (BSC)	<p>Bus formats</p> <ul style="list-style-type: none"> <li>External memory interfaces (for the connection of ROM, burst ROM, SRAM, and byte control SRAM)</li> <li>Address/data bus format: Support for both separate and multiplexed buses (8-bit access or 16-bit access)</li> </ul> <hr/> <ul style="list-style-type: none"> <li>Endian conversion function for connecting devices in little-endian format</li> </ul>
Clock	Clock pulse generator (CPG)	<ul style="list-style-type: none"> <li>One clock generation circuit available</li> <li>Separate clock signals are provided for each of functional modules (detailed below) and each is independently specifiable (multi-clock function) <ul style="list-style-type: none"> <li>System-intended data transfer modules, i.e. the CPU, runs in synchronization with the system clock (<math>I\phi</math>): 8 to 50 MHz</li> <li>Internal peripheral functions run in synchronization with the peripheral module clock (<math>P\phi</math>): 8 to 35 MHz</li> <li>Modules in the external space are supplied with the external bus clock (<math>B\phi</math>): 8 to 50 MHz</li> </ul> </li> <li>Includes a PLL frequency multiplication circuit and frequency divider, so the operating frequency is selectable</li> <li>Five low-power-consumption modes: Sleep mode, module-stop mode, all-module-clock-stop mode, software standby mode, and hardware standby mode</li> </ul>
A/D converter	A/D converter (ADC)	<ul style="list-style-type: none"> <li>10-bit resolution <math>\times</math> eight input channels</li> <li>Sample and hold function included</li> <li>Conversion time: 7.4 <math>\mu</math>s per channel (with peripheral module clock (<math>P\phi</math>) at 35-MHz operation)</li> <li>Two operating modes: single mode and scan mode</li> <li>Three ways to start A/D conversion: software, timer (TPU/TMR) trigger, and external trigger</li> </ul>

Classification	Module/ Function	Description
D/A converter	D/A converter (DAC)	<ul style="list-style-type: none"> <li>• 8-bit resolution × two output channels</li> <li>• Output voltage: 0 V to Vref, maximum conversion time: 10 μs (with 20-pF load)</li> </ul>
Timer	8-bit timer (TMR)	<ul style="list-style-type: none"> <li>• 8 bits × four channels (can be used as 16 bits × two channels)</li> <li>• Select from among seven clock sources (six internal clocks and one external clock)</li> <li>• Allows the output of pulse trains with a desired duty cycle or PWM signals</li> </ul>
	16-bit timer pulse unit (TPU)	<ul style="list-style-type: none"> <li>• 16 bits × six channels (general pulse timer unit)</li> <li>• Select from among eight counter-input clocks for each channel</li> <li>• Up to 16 pulse inputs and outputs</li> <li>• Counter clear operation, simultaneous writing to multiple timer counters (TCNT), simultaneous clearing by compare match and input capture possible, simultaneous input/output for registers possible by counter synchronous operation, and up to 15-phase PWM output possible by combination with synchronous operation</li> <li>• Buffered operation, cascaded operation (32 bits × two channels), and phase counting mode (two-phase encoder input) settable for each channel</li> <li>• Input capture function supported</li> <li>• Output compare function (by the output of compare match waveform) supported</li> </ul>
	Program-mable pulse generator (PPG)	<ul style="list-style-type: none"> <li>• 16-bit pulse output</li> <li>• Four output groups, non-overlapping mode, and inverted output can be set</li> <li>• Selectable output trigger signals; the PPG can operate in conjunction with the data transfer controller (DTC) and the DMA controller (DMAC)</li> </ul>
Watchdog timer	Watchdog timer (WDT)	<ul style="list-style-type: none"> <li>• 8 bits × one channel (selectable from eight counter input clocks)</li> <li>• Switchable between watchdog timer mode and interval timer mode</li> </ul>

Classification	Module/ Function	Description
Serial interface	Serial communication interface (SCI)	<ul style="list-style-type: none"> <li>• Five channels (select asynchronous or clocked synchronous serial communication mode)</li> <li>• Full-duplex communication capability</li> <li>• Select the desired bit rate and LSB-first or MSB-first transfer</li> </ul>
Smart card/ SIM		<ul style="list-style-type: none"> <li>• The SCI module supports a smart card (SIM) interface.</li> </ul>
I/O ports		<ul style="list-style-type: none"> <li>• Eight CMOS input-only pins</li> <li>• 50 CMOS input/output pins</li> <li>• Eight large-current drive pins (port 3)</li> <li>• 11 pull-up resistors</li> <li>• 11 open drains</li> </ul>
Package		<ul style="list-style-type: none"> <li>• 120-pin thin QFP package (package code: FP-120B, package dimensions: 14 × 14 mm, pin pitch: 0.40 mm)</li> <li>• Lead- (Pb-) free versions available</li> </ul>
Operating frequency/ Power supply voltage		<ul style="list-style-type: none"> <li>• Operating frequency: 8 to 50 MHz</li> <li>• Power supply voltage: <math>V_{cc} = 3.0</math> to <math>3.6</math> V, <math>Av_{cc} = 3.0</math> to <math>3.6</math> V</li> <li>• Supply current: <ul style="list-style-type: none"> <li>— 30 mA (typ.) (<math>V_{cc} = 3.3</math> V, <math>Av_{cc} = 3.3</math> V, <math>I_{\phi} = P_{\phi} = B_{\phi} = 35</math> MHz)</li> <li>— 45 mA (typ.) (<math>V_{cc} = 3.3</math> V, <math>Av_{cc} = 3.3</math> V, <math>I_{\phi} = B_{\phi} = 50</math> MHz, <math>P_{\phi} = 25</math> MHz)</li> </ul> </li> </ul>
Operating peripheral temperature (°C)		<ul style="list-style-type: none"> <li>• <math>-20</math> to <math>+75^{\circ}\text{C}</math> (regular specifications)</li> <li>• <math>-40</math> to <math>+85^{\circ}\text{C}</math> (wide-range specifications)</li> </ul>

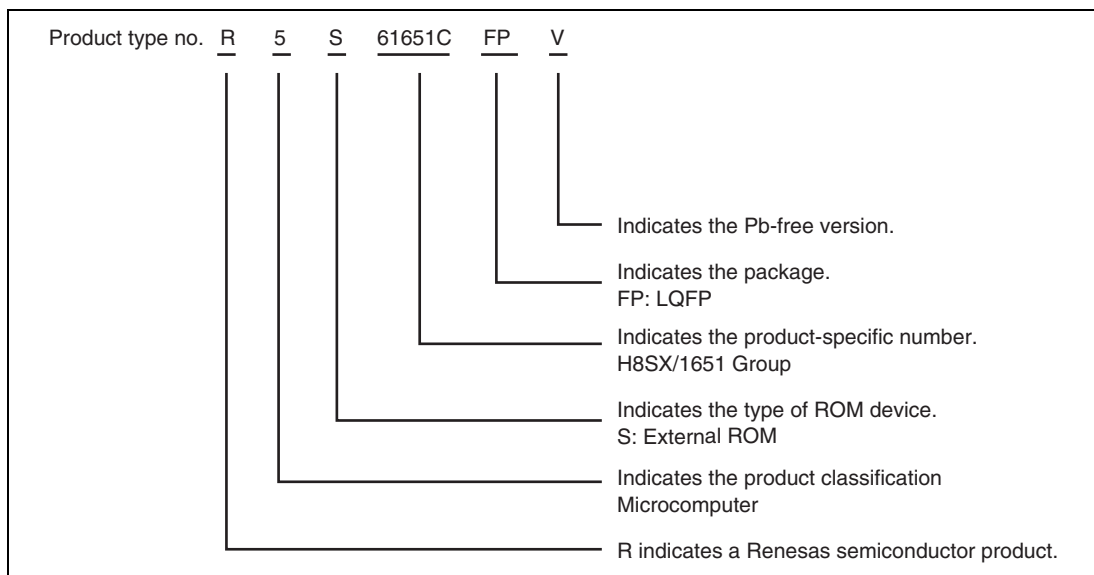
## 1.2 List of Products

Table 1.2 is the list of products, and figure 1.1 shows how to read the product name code.

**Table 1.2 List of Products**

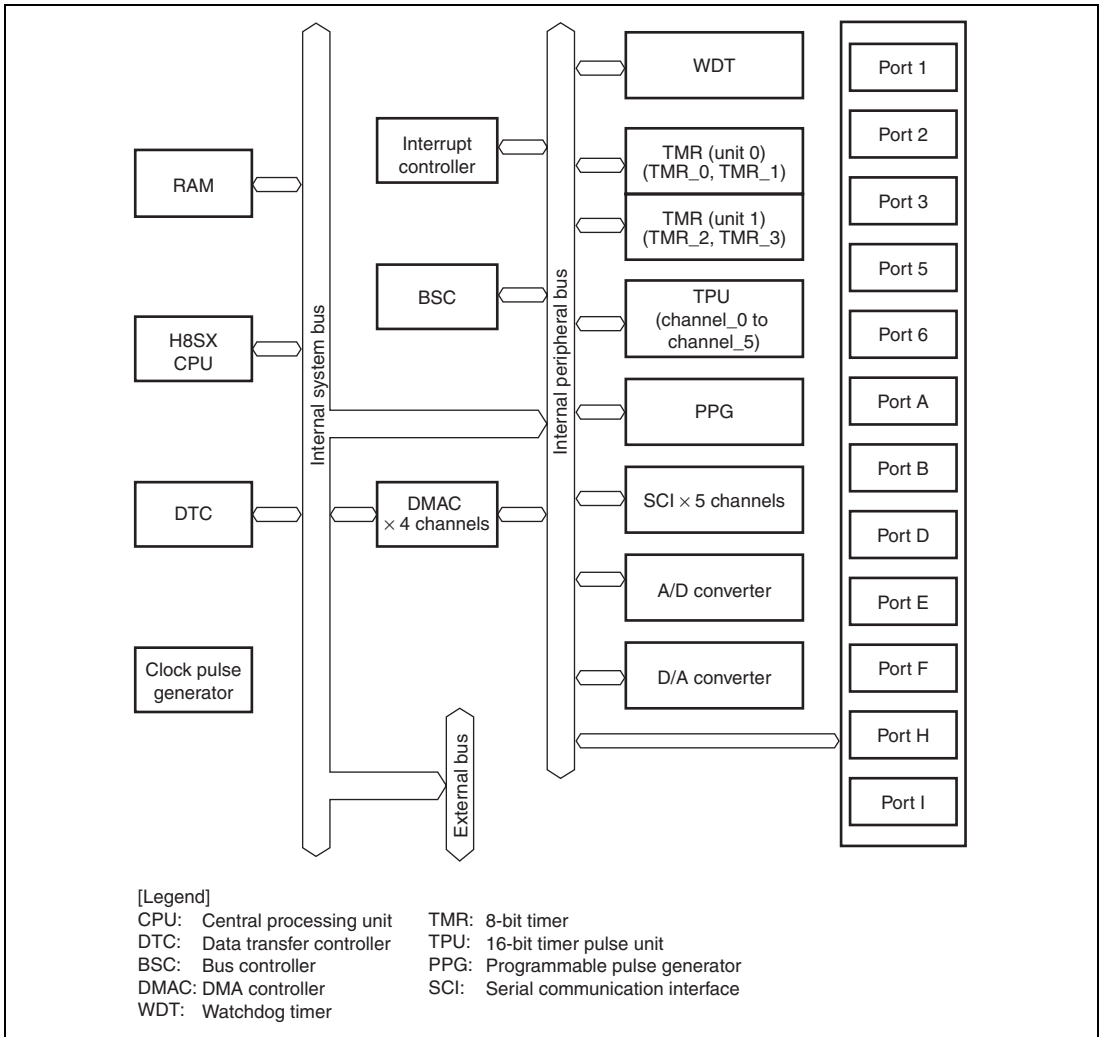
Product Type No.	ROM Capacity	RAM Capacity	Package	Remarks
R5S61651CFPV	—	40 Kbytes	PLQP0120LA-A (FP-120BV)	ROMless versions only

(as of June, 2007)



**Figure 1.1 How to Read the Product Name Code**

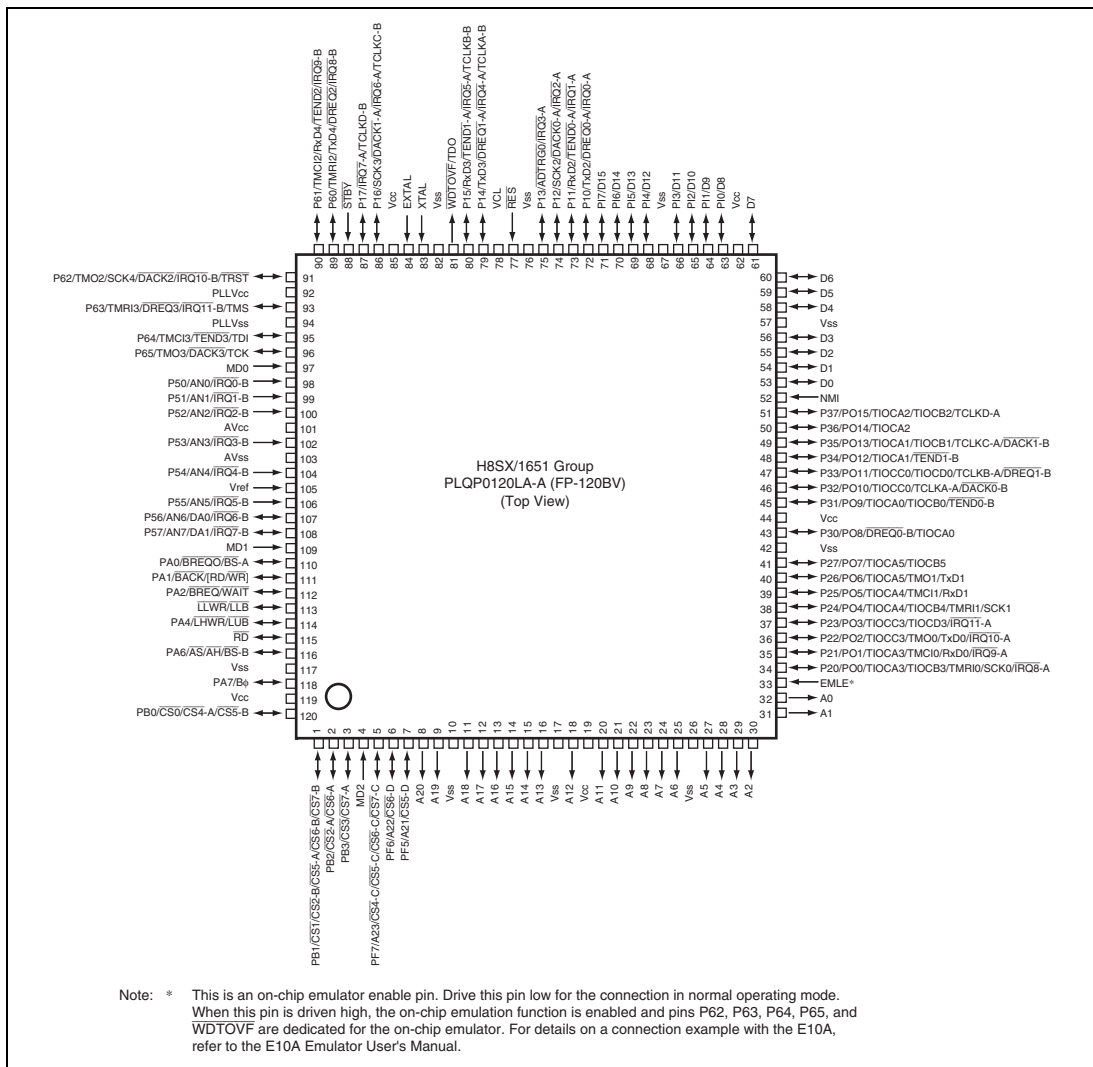
### 1.3 Block Diagram



**Figure 1.2 Block Diagram**



# 1.4 Pin Assignments



**Figure 1.3 Pin Assignments**

## 1.5 Pin Functions

**Table 1.3 Pin Functions**

Classification	Pin Name	I/O	Description
Power supply	$V_{CC}$	—	Power supply pins. Connect them to the system power supply.
	$V_{CL}$	—	Connect this pin to $V_{SS}$ via a 0.1-uF capacitor (The capacitor should be placed close to the pin).
	$V_{SS}$	—	Ground pins. Connect them to the system power supply (0 V).
	$PLL_{V_{CC}}$	—	Power supply pin for the PLL circuit.
	$PLL_{V_{SS}}$	—	Ground pin for the PLL circuit.
Clock	XTAL	Input	Pins for a crystal resonator. An external clock signal can be input through the EXTAL pin. For an example of this connection, see section 18, Clock Pulse Generator.
	EXTAL	Input	
	$B\phi$	Output	Outputs the system clock for external devices.
Operating mode control	MD2 to MD0	Input	Pins for setting the operating mode. The signal levels on these pins must not be changed during operation.
System control	$\overline{RES}$	Input	Reset signal input pin. This LSI enters the reset state when this signal goes low.
	$\overline{STBY}$	Input	This LSI enters hardware standby mode when this signal goes low.
	$\overline{EMLE}$	Input	Input pin for the on-chip emulator enable signal. The signal level should normally be fixed low.
Address bus	A23 to A0	Output	Output pins for the address bits.
Data bus	D15 to D0	Input/output	Input and output for the bidirectional data bus. These pins also output addresses when accessing an address–data multiplexed I/O interface space.
Bus control	$\overline{BREQ}$	Input	External bus-master modules assert this signal to request the bus.
	$\overline{BREQO}$	Output	Internal bus-master modules assert this signal to request access to the external space via the bus in the external bus released state.

Classification	Pin Name	I/O	Description
Bus control	BACK	Output	Bus acknowledge signal, which indicates that the bus has been released.
	$\overline{BS-A/BS-B}$	Output	Indicates the start of a bus cycle.
	$\overline{AS}$	Output	Strobe signal which indicates that the output address on the address bus is valid in access to the basic bus interface or byte control SRAM interface space.
	$\overline{AH}$	Output	This signal is used to hold the address when accessing the address-data multiplexed I/O interface space.
	$\overline{RD}$	Output	Strobe signal which indicates that reading from the basic bus interface space is in progress.
	$\overline{RD/WR}$	Output	Indicates the direction (input or output) of the data bus.
	$\overline{LHWR}$	Output	Strobe signal which indicates that the higher-order byte (D15 to D8) is valid in access to the basic bus interface space.
	$\overline{LLWR}$	Output	Strobe signal which indicates that the lower-order byte (D7 to D0) is valid in access to the basic bus interface space.
	$\overline{LUB}$	Output	Strobe signal which indicates that the higher-order byte (D15 to D8) is valid in access to the byte control SRAM interface space.
	$\overline{LLB}$	Output	Strobe signal which indicates that the lower-order byte (D7 to D0) is valid in access to the byte control SRAM interface space.
	$\overline{CS0}$ $\overline{CS1}$ $\overline{CS2-A/CS2-B}$ $\overline{CS3}$ $\overline{CS4-A/CS4-C}$ $\overline{CS5-A/CS5-B/}$ $\overline{CS5-C/CS5-D}$ $\overline{CS6-A/CS6-B/}$ $\overline{CS6-C/CS6-D}$ $\overline{CS7-A/CS7-B/}$ $\overline{CS7-C}$	Output	Select signals for areas 0 to 7.
	$\overline{WAIT}$	Input	Requests wait cycles in access to the external space.

Classification	Pin Name	I/O	Description
Interrupt	NMI	Input	Non-maskable interrupt request signal. When this pin is not in use, this signal must be fixed high.
	$\overline{\text{IRQ11-A}}/\overline{\text{IRQ11-B}}$	Input	Maskable interrupt request signal.
	$\overline{\text{IRQ10-A}}/\overline{\text{IRQ10-B}}$		
	$\overline{\text{IRQ9-A}}/\overline{\text{IRQ9-B}}$		
	$\overline{\text{IRQ8-A}}/\overline{\text{IRQ8-B}}$		
	$\overline{\text{IRQ7-A}}/\overline{\text{IRQ7-B}}$		
	$\overline{\text{IRQ6-A}}/\overline{\text{IRQ6-B}}$		
	$\overline{\text{IRQ5-A}}/\overline{\text{IRQ5-B}}$		
	$\overline{\text{IRQ4-A}}/\overline{\text{IRQ4-B}}$		
	$\overline{\text{IRQ3-A}}/\overline{\text{IRQ3-B}}$		
	$\overline{\text{IRQ2-A}}/\overline{\text{IRQ2-B}}$		
$\overline{\text{IRQ1-A}}/\overline{\text{IRQ1-B}}$			
$\overline{\text{IRQ0-A}}/\overline{\text{IRQ0-B}}$			
DMA controller (DMAC)	$\overline{\text{DREQ0-A}}/\overline{\text{DREQ0-B}}$	Input	Requests DMAC activation.
	$\overline{\text{DREQ1-A}}/\overline{\text{DREQ1-B}}$		
	$\overline{\text{DREQ2}}$		
	$\overline{\text{DREQ3}}$		
	$\overline{\text{DACK0-A}}/\overline{\text{DACK0-B}}$	Output	DMAC single address-transfer acknowledge signal.
	$\overline{\text{DACK1-A}}/\overline{\text{DACK1-B}}$		
	$\overline{\text{DACK2}}$		
	$\overline{\text{DACK3}}$		
	$\overline{\text{TEND0-A}}/\overline{\text{TEND0-B}}$	Output	Indicates end of data transfer by the DMAC.
	$\overline{\text{TEND1-A}}/\overline{\text{TEND1-B}}$		
$\overline{\text{TEND2}}$			
$\overline{\text{TEND3}}$			
16-bit timer pulse unit (TPU)	$\text{TCLKA-A}/\text{TCLKA-B}$	Input	Input pins for the external clock signals.
	$\text{TCLKB-A}/\text{TCLKB-B}$		
	$\text{TCLKC-A}/\text{TCLKC-B}$		
	$\text{TCLKD-A}/\text{TCLKD-B}$		
	TIOCA0	Input/ output	Signals for TGRA_0 to TGRD_0. These pins are used as input capture inputs, output compare outputs, or PWM outputs.
	TIOCB0		
	TIOCC0		
	TIOCD0		
	TIOCA1	Input/ output	Signals for TGRA_1 and TGRB_1. These pins are used as input capture inputs, output compare outputs, or PWM outputs.
	TIOCB1		

Classification	Pin Name	I/O	Description
16-bit timer pulse unit (TPU)	TIOCA2 TIOCB2	Input/ output	Signals for TGRA_2 and TGRB_2. These pins are used as input capture inputs, output compare outputs, or PWM outputs.
	TIOCA3 TIOCB3 TIOCC3 TIOCD3	Input/ output	Signals for TGRA_3 to TGRD_3. These pins are used as input capture inputs, output compare outputs, or PWM outputs.
	TIOCA4 TIOCB4	Input/ output	Signals for TGRA_4 and TGRB_4. These pins are used as input capture inputs, output compare outputs, or PWM outputs.
	TIOCA5 TIOCB5	Input/ output	Signals for TGRA_5 and TGRB_5. These pins are used as input capture inputs, output compare outputs, or PWM outputs.
	Programmable pulse generator (PPG)	PO15 to PO0	Output
8-bit timer (TMR)	TMO0 to TMO3	Output	Output pins for the compare match signals.
	TMCI0 to TMCI3	Input	Input pins for the external clock signals that drive for the counters.
	TMRI0 to TMRI3	Input	Input pins for the counter-reset signals.
Watchdog timer (WDT)	$\overline{\text{WDTOVF}}$	Output	Output pin for the counter-overflow signal in watchdog-timer mode.
Serial communication interface (SCI)	TxD0 to TxD4	Output	Output pins for data transmission.
	RxD0 to RxD4	Input	Input pins for data reception.
	SCK0 to SCK4	Input/ output	Input/output pins for clock signals.

Classification	Pin Name	I/O	Description
A/D converter	AN7 to AN0	Input	Input pins for the analog signals to be processed by the A/D converter.
	ADTRG0	Input	Input pin for the external trigger signal that starts A/D conversion.
D/A converter	DA1 DA0	Output	Output pins for the analog signals from the D/A converter.
A/D converter, D/A converter	AV <sub>cc</sub>	Input	Analog power supply pin for the A/D and D/A converters. When the A/D and D/A converters are not in use, connect this pin to the system power supply.
	AV <sub>ss</sub>	Input	Ground pin for the A/D and D/A converters. Connect this pin to the system power supply (0 V).
	Vref	Input	Reference power supply pin for the A/D and D/A converters. When the A/D and D/A converters are not in use, connect this pin to the system power supply.
I/O ports	P17 to P10	Input/ output	8 input/output pins.
	P27 to P20	Input/ output	8 input/output pins.
	P37 to P30	Input/ output	8 input/output pins.
	P57 to P50	Input	8 input/output pins.
	P65 to P60	Input/ output	6 input/output pins.
	PA7, PA6, PA4 PA2 to PA0	Input/ output	5 input/output pins.
	PB3 to PB0	Input/ output	4 input/output pins.
	PF7 to PF5	Input/ output	3 input/output pins.
	PI7 to PI0	Input/ output	8 input/output pins.

## Section 2 CPU

The H8SX CPU is a high-speed central processing unit with an internal 32-bit architecture that is upward-compatible with the H8/300, H8/300H, and H8S CPUs. The H8SX CPU has sixteen 16-bit general registers, can handle a 4-Gbyte linear address space, and is ideal for a realtime control system.

### 2.1 Features

- Upward-compatible with H8/300, H8/300H, and H8S CPUs  
Can execute these CPU's object programs
- General-register architecture  
Sixteen 16-bit general registers (also usable as sixteen 8-bit registers or eight 32-bit registers)
- 87 basic instructions  
8/16/32-bit arithmetic and logic instructions  
Multiply and divide instructions  
Bit field transfer instructions  
Powerful bit-manipulation instructions  
Bit condition branch instructions  
Multiply-and-accumulate instruction
- Eleven addressing modes  
Register direct [Rn]  
Register indirect [@ERn]  
Register indirect with displacement [@(d:2,ERn), @(d:16,ERn), or @(d:32,ERn)]  
Index register indirect with displacement [@(d:16,RnL.B), @(d:32,RnL.B), @(d:16,Rn.W), @(d:32,Rn.W), @(d:16,ERn.L), or @(d:32,ERn.L)]  
Register indirect with post-/pre-increment or post-/pre-decrement  
[@+ERn/@-ERn/@ERn+/@ERn-]  
Absolute address [@aa:8, @aa:16, @aa:24, or @aa:32]  
Immediate [#xx:3, #xx:4, #xx:8, #xx:16, or #xx:32]  
Program-counter relative [@(d:8,PC) or @(d:16,PC)]  
Program-counter relative with index register [@(RnL.B,PC), @(Rn.W,PC), or @(ERn.L,PC)]  
Memory indirect [@@aa:8]  
Extended memory indirect [@@vec:7]

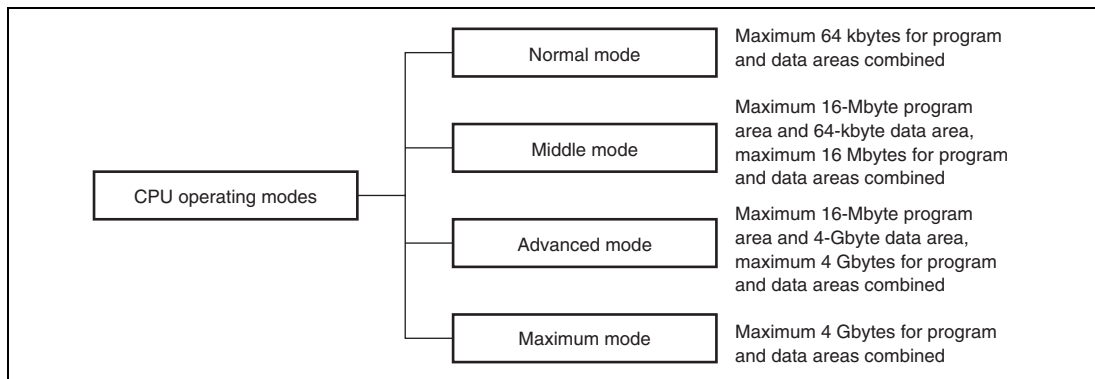
- Two base registers
  - Vector base register
  - Short address base register
- 4-Gbyte address space
  - Program: 4 Gbytes
  - Data: 4 Gbytes
- High-speed operation
  - All frequently-used instructions execute in one or two states
  - 8/16/32-bit register-register add/subtract: 1 state
  - 8 × 8-bit register-register multiply: 1 state
  - 16 ÷ 8-bit register-register divide: 10 states
  - 16 × 16-bit register-register multiply: 1 state
  - 32 ÷ 16-bit register-register divide: 18 states
  - 32 × 32-bit register-register multiply: 5 states
  - 32 ÷ 32-bit register-register divide: 18 states
- Four CPU operating modes
  - Normal mode
  - Middle mode
  - Advanced mode
  - Maximum mode
- Power-down modes
  - Transition is made by execution of SLEEP instruction
  - Choice of CPU operating clocks

- Notes: 1. Advanced mode is only supported as the CPU operating mode of the H8SX/1651 Group. Normal, middle, and maximum modes are not supported.
2. The multiplier and divider are supported by the H8SX/1651 Group.



## 2.2 CPU Operating Modes

The H8SX CPU has four operating modes: normal, middle, advanced, and maximum modes. As for selecting the mode, see section 3.1, Operating Mode Selection.



**Figure 2.1 CPU Operating Modes**

### 2.2.1 Normal Mode

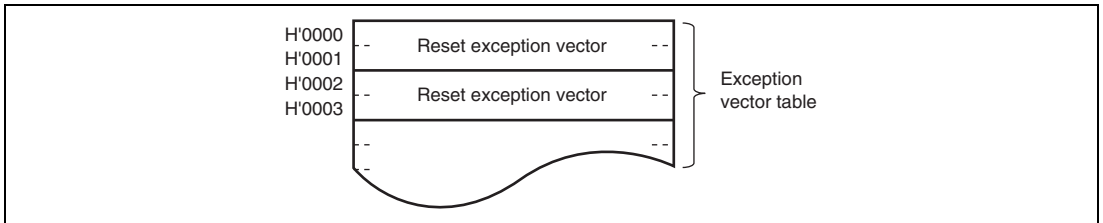
In normal mode, the exception handling vector table and stack have the same structure as in the H8/300 CPU.

Note: This LSI does not support this mode.

- **Address Space**  
A maximum address space of 64 kbytes can be accessed.
- **Extended Registers (En)**  
The extended registers (E0 to E7) can be used as 16-bit registers, or as the upper 16-bit segments of 32-bit registers. When En is used as a 16-bit register it can contain any value, even when the corresponding general register (Rn) is used as an address register. If the general register Rn is referenced in the register indirect addressing mode with pre-/post-increment or decrement and a carry or borrow occurs, however, the value in the corresponding extended register will be affected.
- **Instruction Set**  
All instructions and addressing modes can be used. Only the lower 16 bits of effective addresses (EA) are valid.

- Exception Handling Vector Table and Memory Indirect Branch Addresses

In normal mode, the top area starting at H'0000 is allocated to the exception handling vector table. One branch address is stored per 16 bits. The structure of the exception handling vector table is shown in figure 2.2.

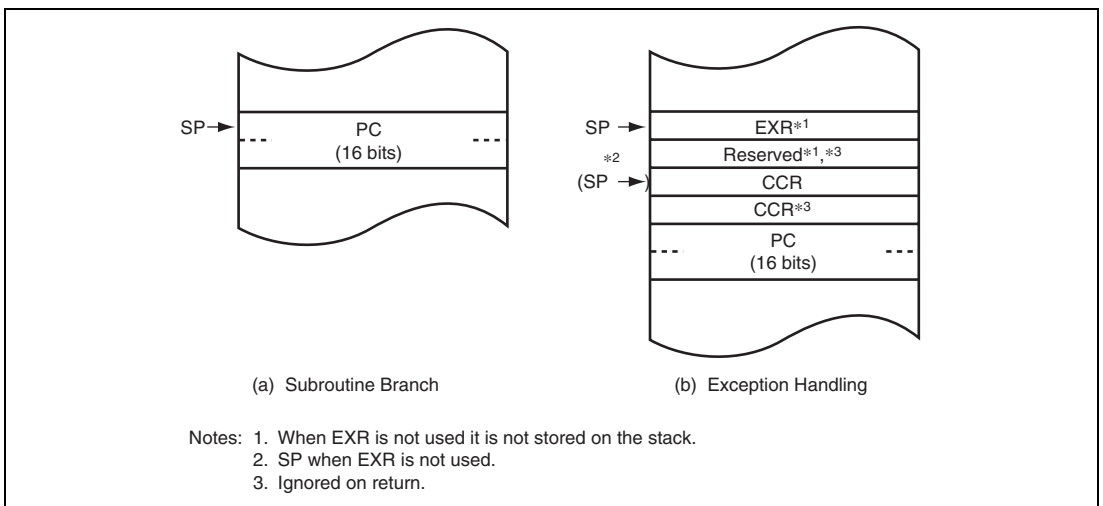


**Figure 2.2 Exception Handling Vector Table (Normal Mode)**

The memory indirect (@@aa:8) and extended memory indirect (@@vec:7) addressing modes are used in the JMP and JSR instructions. An 8-bit absolute address included in the instruction code specifies a memory location. Execution branches to the address contained in the memory location.

- Stack Structure

The stack structure of PC at a subroutine branch and that of PC and CCR at an exception handling branch are shown in figure 2.3. The PC contents are saved or restored in 16-bit units.



**Figure 2.3 Stack Structure in Normal Mode**

## 2.2.2 Middle Mode

The program area in middle mode is extended to 16 Mbytes as compared with that in normal mode.

- Address Space

A maximum address space of 16 Mbytes can be accessed in a total of the program and data areas. For individual areas, up to 16 Mbytes of the program area and up to 64 kbytes of the data area can be allocated.

- Extended Registers (En)

The extended registers (E0 to E7) can be used as 16-bit registers, or as the upper 16-bit segments of 32-bit registers. When En is used as a 16-bit register (in other than the JMP and JSR instructions), it can contain any value even when the corresponding general register (Rn) is used as an address register. If the general register Rn is referenced in the register indirect addressing mode with pre-/post-increment or decrement and a carry or borrow occurs, however, the value in the corresponding extended register will be affected.

- Instruction Set

All instructions and addressing modes can be used. Only the lower 16 bits of effective addresses (EA) are valid and the upper eight bits are sign-extended.

- Exception Handling Vector Table and Memory Indirect Branch Addresses

In middle mode, the top area starting at H'000000 is allocated to the exception handling vector table in 32-bit units. In each 32 bits, the upper eight bits are ignored and one branch address is stored in the lower 24 bits. The structure of the exception handling vector table is shown in figure 2.4.

The memory indirect (@@aa:8) and extended memory indirect (@@vec:7) addressing modes are used in the JMP and JSR instructions. An 8-bit absolute address included in the instruction code specifies a memory location. Execution branches to the contents of the memory location.

In middle mode, an operand is a 32-bit (longword) operand, providing a 32-bit branch address. The upper eight bits are reserved and assumed to be H'00.

- Stack Structure

The stack structure of PC at a subroutine branch and that of PC and CCR at an exception handling branch are shown in figure 2.5. The PC contents are saved or restored in 24-bit units.

### 2.2.3 Advanced Mode

The data area in advanced mode is extended to 4 Gbytes as compared with that in middle mode.

- Address Space

A maximum address space of 4 Gbytes can be linearly accessed. For individual areas, up to 16 Mbytes of the program area and up to 4 Gbytes of the data area can be allocated.

- Extended Registers (En)

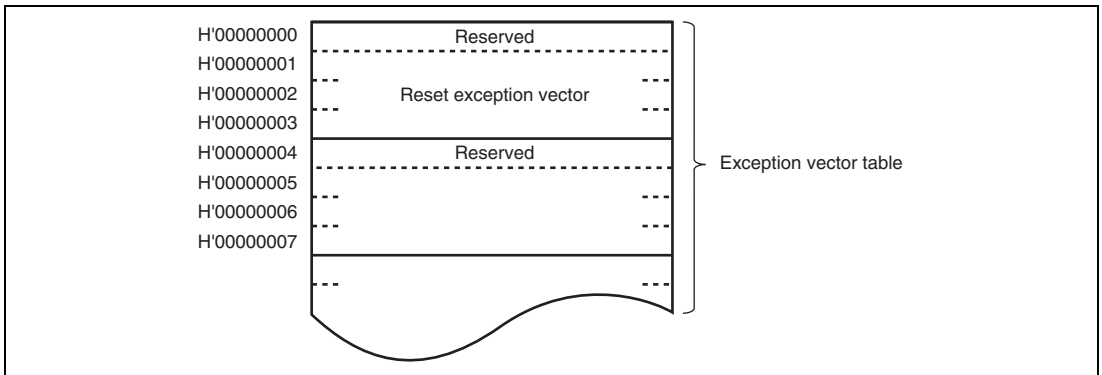
The extended registers (E0 to E7) can be used as 16-bit registers, or as the upper 16-bit segments of 32-bit registers or address registers.

- Instruction Set

All instructions and addressing modes can be used.

- Exception Handling Vector Table and Memory Indirect Branch Addresses

In advanced mode, the top area starting at H'00000000 is allocated to the exception handling vector table in 32-bit units. In each 32 bits, the upper eight bits are ignored and one branch address is stored in the lower 24 bits. The structure of the exception handling vector table is shown in figure 2.4.



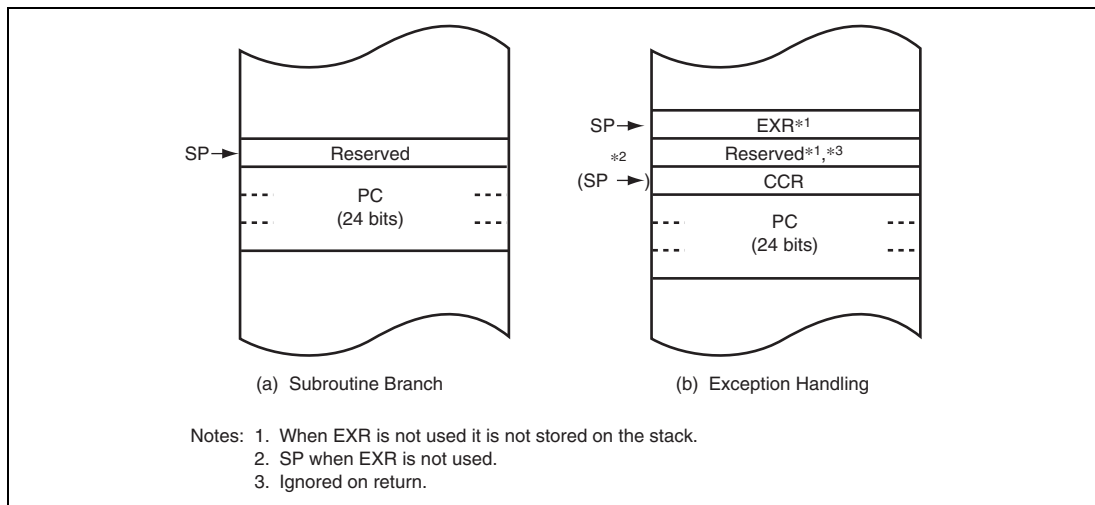
**Figure 2.4 Exception Handling Vector Table (Middle and Advanced Modes)**

The memory indirect (@@aa:8) and extended memory indirect (@@vec:7) addressing modes are used in the JMP and JSR instructions. An 8-bit absolute address included in the instruction code specifies a memory location. Execution branches to the contents of the memory location.

In advanced mode, an operand is a 32-bit (longword) operand, providing a 32-bit branch address. The upper eight bits are reserved and assumed to be H'00.

- Stack Structure

The stack structure of PC at a subroutine branch and that of PC and CCR at an exception handling branch are shown in figure 2.5. The PC contents are saved or restored in 24-bit units.



**Figure 2.5 Stack Structure in Middle and Advanced Modes**

## 2.2.4 Maximum Mode

The program area in maximum mode is extended to 4 Gbytes as compared with that in advanced mode.

- Address Space

A maximum address space of 4 Gbytes can be linearly accessed.

- Extended Registers (En)

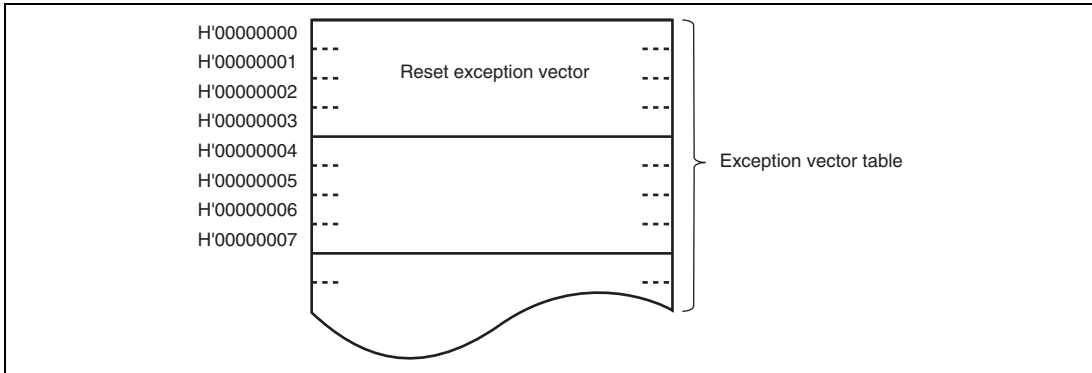
The extended registers (E0 to E7) can be used as 16-bit registers or as the upper 16-bit segments of 32-bit registers or address registers.

- Instruction Set

All instructions and addressing modes can be used.

- Exception Handling Vector Table and Memory Indirect Branch Addresses

In maximum mode, the top area starting at H'00000000 is allocated to the exception handling vector table in 32-bit units. One branch address is stored in 32 bits. The structure of the exception handling vector table is shown in figure 2.6.



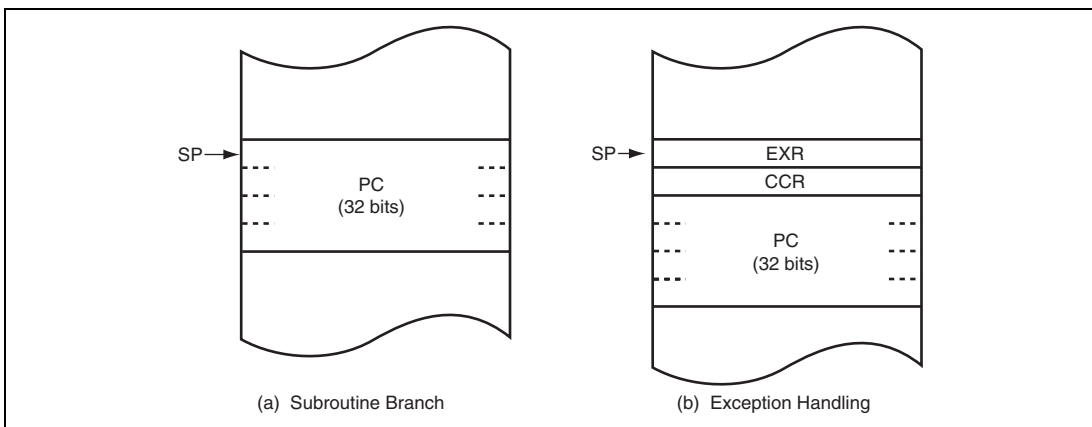
**Figure 2.6 Exception Handling Vector Table (Maximum Modes)**

The memory indirect (@@aa:8) and extended memory indirect (@@vec:7) addressing modes are used in the JMP and JSR instructions. An 8-bit absolute address included in the instruction code specifies a memory location. Execution branches to the contents of the memory location.

In maximum mode, an operand is a 32-bit (longword) operand, providing a 32-bit branch address.

- Stack Structure

The stack structure of PC at a subroutine branch and that of PC and CCR at an exception handling branch are shown in figure 2.7. The PC contents are saved or restored in 32-bit units. The EXR contents are saved or restored regardless of whether or not EXR is in use.



**Figure 2.7 Stack Structure in Maximum Mode**

## 2.3 Instruction Fetch

The H8SX CPU has two modes for instruction fetch: 16-bit and 32-bit modes. It is recommended that the mode should be set according to the bus width of the memory in which the program is stored.

The instruction-fetch mode setting does not affect operation other than instruction fetch such as data accesses. The FETCHMD bit in SYSCR selects one of the two modes. For details, see section 3.2.2, System Control Register (SYSCR).

## 2.4 Address Space

Figure 2.8 shows a memory map of the H8SX CPU. The address space differs depending on the operating mode.

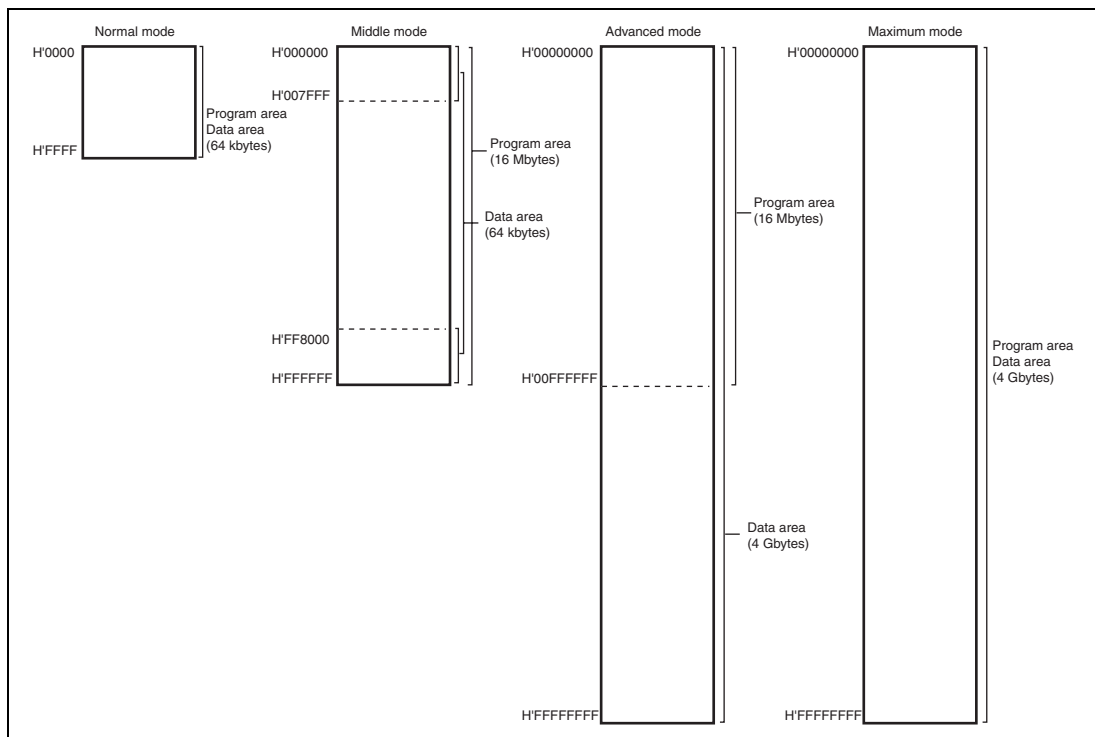


Figure 2.8 Memory Map

## 2.5 Registers

The H8SX CPU has the internal registers shown in figure 2.9. There are two types of registers: general registers and control registers. The control registers are the 32-bit program counter (PC), 8-bit extended control register (EXR), 8-bit condition-code register (CCR), 32-bit vector base register (VBR), 32-bit short address base register (SBR), and 64-bit multiply-accumulate register (MAC).

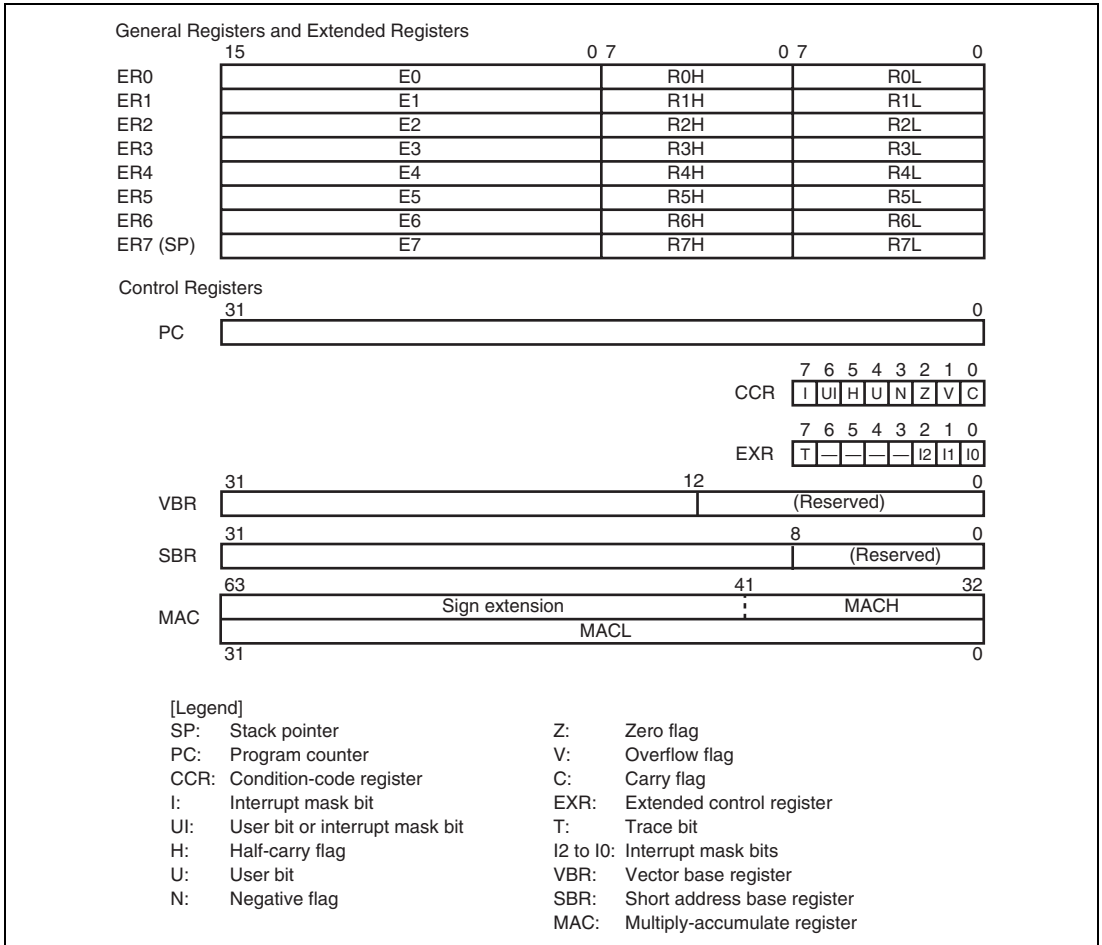


Figure 2.9 CPU Registers



## 2.5.1 General Registers

The H8SX CPU has eight 32-bit general registers. These general registers are all functionally alike and can be used as both address registers and data registers. When a general register is used as a data register, it can be accessed as a 32-bit, 16-bit, or 8-bit register. Figure 2.10 illustrates the usage of the general registers.

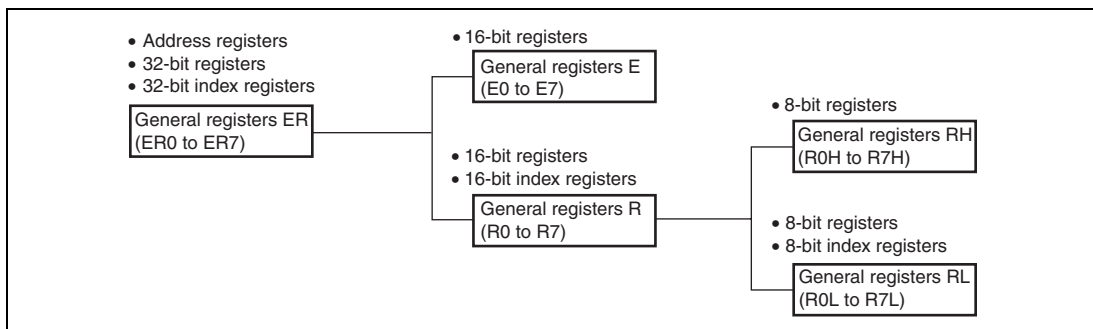
When the general registers are used as 32-bit registers or address registers, they are designated by the letters ER (ER0 to ER7).

The ER registers are divided into 16-bit general registers designated by the letters E (E0 to E7) and R (R0 to R7). These registers are functionally equivalent, providing a maximum of sixteen 16-bit registers. The E registers (E0 to E7) are also referred to as extended registers.

The R registers are divided into 8-bit general registers designated by the letters RH (R0H to R7H) and RL (R0L to R7L). These registers are functionally equivalent, providing a maximum of sixteen 8-bit registers.

The general registers ER (ER0 to ER7), R (R0 to R7), and RL (R0L to R7L) are also used as index registers. The size in the operand field determines which register is selected.

The usage of each register can be selected independently.



**Figure 2.10 Usage of General Registers**

General register ER7 has the function of stack pointer (SP) in addition to its general-register function, and is used implicitly in exception handling and subroutine calls. Figure 2.11 shows the stack.

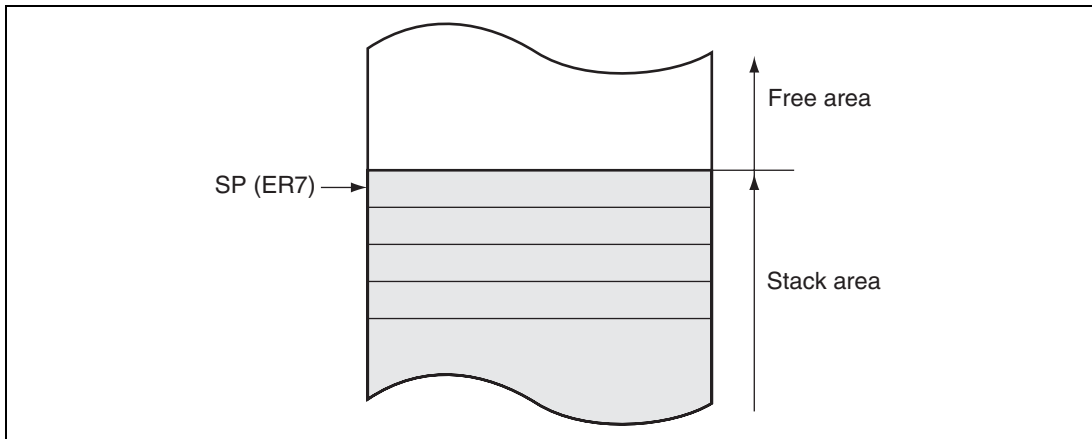


Figure 2.11 Stack

### 2.5.2 Program Counter (PC)

PC is a 32-bit counter that indicates the address of the next instruction the CPU will execute. The length of all CPU instructions is two bytes (one word) or a multiple of two bytes, so the least significant PC bit is ignored. When an instruction is fetched, the least significant PC bit is regarded as 0.

### 2.5.3 Condition-Code Register (CCR)

CCR is an 8-bit register that contains internal CPU status information, including an interrupt mask (I) and user (UI, U) bits and half-carry (H), negative (N), zero (Z), overflow (V), and carry (C) flags.

Operations can be performed on the CCR bits by the LDC, STC, ANDC, ORC, and XORC instructions. The N, Z, V, and C flags are used as branching conditions for conditional branch (Bcc) instructions.

Bit	Bit Name	Initial Value	R/W	Description
7	I	1	R/W	Interrupt Mask Bit Masks interrupts when set to 1. This bit is set to 1 at the start of an exception-handling sequence.

Bit	Bit Name	Initial Value	R/W	Description
6	UI	Undefined	R/W	<p>User Bit or Interrupt Mask Bit</p> <p>Can be written and read by software using the LDC, STC, ANDC, ORC, and XORC instructions. This bit can also be used as an interrupt mask bit.</p>
5	H	Undefined	R/W	<p>Half-Carry Flag</p> <p>When the ADD.B, ADDX.B, SUB.B, SUBX.B, CMP.B, or NEG.B instruction is executed, this flag is set to 1 if there is a carry or borrow at bit 3, and cleared to 0 otherwise. When the ADD.W, SUB.W, CMP.W, or NEG.W instruction is executed, the H flag is set to 1 if there is a carry or borrow at bit 11, and cleared to 0 otherwise. When the ADD.L, SUB.L, CMP.L, or NEG.L instruction is executed, the H flag is set to 1 if there is a carry or borrow at bit 27, and cleared to 0 otherwise.</p>
4	U	Undefined	R/W	<p>User Bit</p> <p>Can be written and read by software using the LDC, STC, ANDC, ORC, and XORC instructions.</p>
3	N	Undefined	R/W	<p>Negative Flag</p> <p>Stores the value of the most significant bit (regarded as sign bit) of data.</p>
2	Z	Undefined	R/W	<p>Zero Flag</p> <p>Set to 1 to indicate zero data, and cleared to 0 to indicate non-zero data.</p>
1	V	Undefined	R/W	<p>Overflow Flag</p> <p>Set to 1 when an arithmetic overflow occurs, and cleared to 0 otherwise.</p>
0	C	Undefined	R/W	<p>Carry Flag</p> <p>Set to 1 when a carry occurs, and cleared to 0 otherwise. A carry flag indicates the following:</p> <ul style="list-style-type: none"> <li>• A carry by an add instruction</li> <li>• A borrow by a subtract instruction</li> <li>• A carry by a shift or rotate instruction</li> </ul> <p>The carry flag is also used as a bit accumulator by bit manipulation instructions.</p>

### 2.5.4 Extended Control Register (EXR)

EXR is an 8-bit register that contains the trace bit (T) and three interrupt mask bits (I2 to I0).

Operations can be performed on the EXR bits by the LDC, STC, ANDC, ORC, and XORC instructions.

For details, see section 4, Exception Handling.

Bit	Bit Name	Initial Value	R/W	Description
7	T	0	R/W	Trace Bit Selects trace mode. When this bit is cleared to 0, instructions are executed in sequence. When this bit is set to 1, a trace exception is generated each time an instruction is executed.
6 to 3	—	All 1	R/W	Reserved These bits are always read as 1. The write value should always be 1.
2	I2	1	R/W	Interrupt Mask Bits
1	I1	1	R/W	These bits designate the interrupt mask level (0 to 7).
0	I0	1	R/W	

### 2.5.5 Vector Base Register (VBR)

VBR is a 32-bit register that has the valid upper 20 bits. The lower 12 bits of this register are read as 0s. This register value is a base address of the vector area for exception handling other than a reset and a CPU address error (extended memory indirect is also out of the target). The initial value is H'00000000.

### 2.5.6 Short Address Base Register (SBR)

SBR is a 32-bit register that has the valid upper 24 bits. The lower eight bits are read as 0s. In 8-bit absolute addressing mode (@aa:8), this register is used as the upper address. The initial value is H'FFFFFF00.

### 2.5.7 Multiply-Accumulate Register (MAC)

MAC is a 64-bit register that stores the results of multiply-and-accumulate operations. It consists of two 32-bit registers denoted MACH and MACL. The lower 10 bits of MACH are valid; the upper bits are sign-extended.

### 2.5.8 Initial Register Values

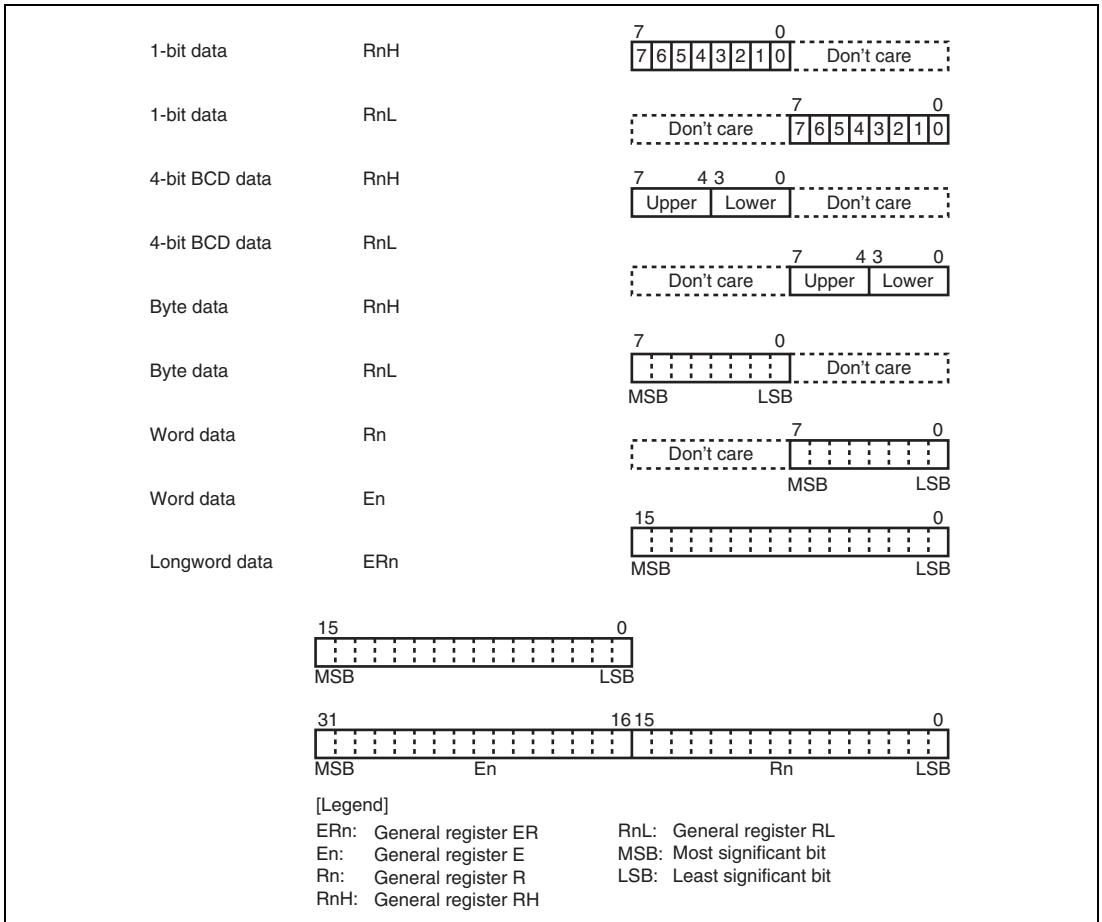
Reset exception handling loads the start address from the vector table into the PC contents, clears the trace bit in EXR to 0, and sets the interrupt mask bits in CCR and EXR to 1. The other CCR bits, MAC and the general registers are not initialized. In particular, the stack pointer (ER7) is not initialized. The stack pointer should therefore be initialized using an MOV.L instruction executed immediately after a reset.

## 2.6 Data Formats

The H8SX CPU can process 1-bit, 4-bit BCD, 8-bit (byte), 16-bit (word), and 32-bit (longword) data. Bit-manipulation instructions operate on 1-bit data by accessing bit  $n$  ( $n = 0, 1, 2, \dots, 7$ ) of byte operand data. The DAA and DAS decimal-adjust instructions treat byte data as two digits of 4-bit BCD data.

### 2.6.1 General Register Data Formats

Figure 2.12 shows the data formats in general registers.



**Figure 2.12 General Register Data Formats**

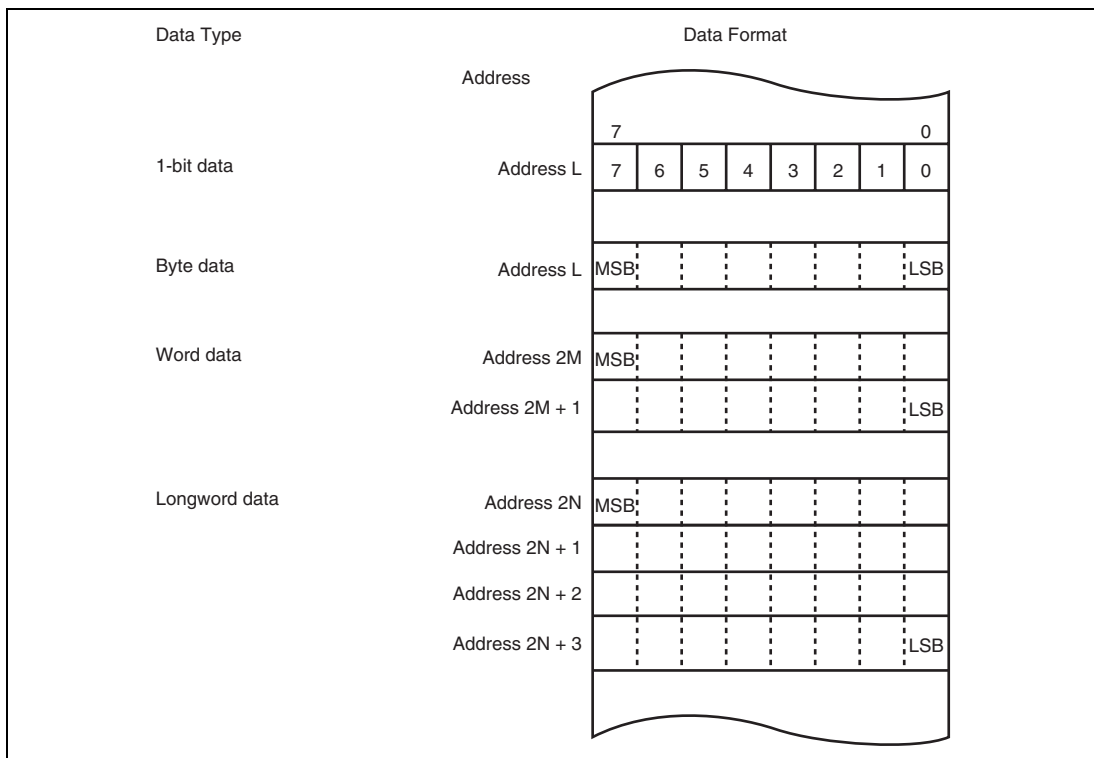
## 2.6.2 Memory Data Formats

Figure 2.13 shows the data formats in memory.

The H8SX CPU can access word data and longword data which are stored at any addresses in memory. When word data begin at an odd address or longword data begin at an address other than a multiple of 4, a bus cycle is divided into two or more accesses. For example, when longword data begins at an odd address, the bus cycle is divided into byte, word, and byte accesses. In this case, these accesses are assumed to be individual bus cycles.

However, instructions to be fetched, word and longword data to be accessed during execution of the stack manipulation, block transfer instructions, and MAC instruction should be located to even addresses.

When the stack pointer (ER7) is used as an address register to access the stack, the operand size should be word size or longword size.



**Figure 2.13 Memory Data Formats**

## 2.7 Instruction Set

The H8SX CPU has 87 types of instructions. The instructions are classified by function as shown in table 2.1.

Note: The arithmetic operation, logic operation, shift, and bit manipulation instructions are called operation instruction in this manual.

**Table 2.1 Instruction Classification**

Function	Instructions	Size	Types
Data transfer	MOV	B/W/L	6
	MOVFPE* <sup>6</sup> , MOVTPPE* <sup>6</sup>	B	
	POP, PUSH* <sup>1</sup>	W/L	
	LDM, STM	L	
	MOVA	B/W* <sup>2</sup>	
Block transfer	EPMOV	B	3
	MOVMD	B/W/L	
	MOVSD	B	
Arithmetic operations	ADD, ADDX, SUB, SUBX, CMP, NEG, INC, DEC	B/W/L	27
	DAA, DAS	B	
	ADDS, SUBS	L	
	MULXU, DIVXU, MULXS, DIVXS	B/W	
	MULU, DIVU, MULS, DIVS	W/L	
	MULU/U, MULS/U	L	
	EXTU, EXTS	W/L	
	TAS	B	
	MAC	—	
	LDMAC, STMAC	—	
	CLRMAC	—	



Function	Instructions	Size	Types
Logic operations	AND, OR, XOR, NOT	B/W/L	4
Shift	SHLL, SHLR, SHAL, SHAR, ROTL, ROTR, ROTXL, ROTXR	B/W/L	8
Bit manipulation	BSET, BCLR, BNOT, BTST, BAND, BIAND, BOR, BIOR, BXOR, BIXOR, BLD, BILD, BST, BIST	B	20
	BSET/EQ, BSET/NE, BCLR/EQ, BCLR/NE, BSTZ, BISTZ	B	
	BFLD, BFST	B	
Branch	BRA/BS, BRA/BC, BSR/BS, BSR/BC	B* <sup>3</sup>	9
	Bcc* <sup>4</sup> , JMP, BSR, JSR, RTS	—	
	RTS/L	L* <sup>5</sup>	
	BRA/S	—	
System control	TRAPA, RTE, SLEEP, NOP	—	10
	RTE/L	L* <sup>5</sup>	
	LDC, STC, ANDC, ORC, XORC	B/W/L	
		Total	87

## [Legend]

B: Byte size

W: Word size

L: Longword size

- Notes:
1. POP.W Rn and PUSH.W Rn are identical to MOV.W @SP+, Rn and MOV.W Rn, @-SP. POP.L ERn and PUSH.L ERn are identical to MOV.L @SP+, ERn and MOV.L ERn, @-SP.
  2. Size of data to be added with a displacement
  3. Size of data to specify a branch condition
  4. Bcc is the generic designation of a conditional branch instruction.
  5. Size of a general register to be restored
  6. Not supported in this LSI

## 2.7.1 Instructions and Addressing Modes

Table 2.2 indicates the combinations of instructions and addressing modes that the H8SX CPU can use.

**Table 2.2 Combinations of Instructions and Addressing Modes (1)**

Classification	Instruction	Size	#xx	Rn	Addressing Mode						
					@ERn	@(d,ERn)	@(d, @-ERn/ RnL.B/ Rn.W/ ERn.L)	@-ERn/ @ERn+/ @ERn-/ @+ERn	@aa:8	@aa:16/ @aa:32	—
Data transfer	MOV	B/W/L	S	SD	SD	SD	SD	SD	SD	SD	
		B		S/D					S/D		
	MOVFP, MOVTP <sup>*12</sup>	B		S/D						S/D <sup>*1</sup>	
	POP, PUSH	W/L		S/D				S/D <sup>*2</sup>			
	LDM, STM	L		S/D				S/D <sup>*2</sup>			
	MOVA <sup>*4</sup>	B/W		S	S	S	S	S		S	
Block transfer	EEPMOV	B									SD <sup>*3</sup>
	MOVMD	B/W/L									SD <sup>*3</sup>
	MOVSD	B									SD <sup>*3</sup>
Arithmetic operations	ADD, CMP	B	S	D	D	D	D	D	D	D	
		B		S	D	D	D	D	D	D	
		B		D	S	S	S	S	S	S	
		B			SD	SD	SD	SD			SD
		W/L	S	SD	SD	SD	SD	SD			SD
	SUB	B	S		D	D	D	D	D	D	
		B		S	D	D	D	D	D	D	
		B		D	S	S	S	S	S	S	
		B			SD	SD	SD	SD			SD
		W/L	S	SD	SD	SD	SD	SD			SD

Classification	Instruction	Size	#xx	Rn	Addressing Mode					
					@ERn	@(d,ERn)	@(d, @-ERn/ RnL.B/ Rn.W/ @ERn-/ @+ERn)	@ERn+/ @ERn-/ @aa:8	@aa:16/ @aa:32	—
Arithmetic operations	ADDX, SUBX	B/W/L	S	SD						
		B/W/L	S		SD					
		B/W/L	S					SD*5		
	INC, DEC	B/W/L		D						
	ADDS, SUBS	L		D						
	DAA, DAS	B		D						
	MULXU, DIVXU	B/W	S:4	SD						
	MULU, DIVU	W/L	S:4	SD						
	MULXS, DIVXS	B/W	S:4	SD						
	MULS, DIVS	W/L	S:4	SD						
	NEG	B		D	D	D	D	D	D	D
			W/L	D	D	D	D	D	D	D
	EXTU, EXTS	W/L		D	D	D	D	D	D	D
	TAS	B		D						
MAC	—									
CLRMAC	—								O	
LDMAC	—		S							
STMAC	—		D							
Logic operations	AND, OR, XOR	B		S	D	D	D	D	D	
		B		D	S	S	S	S	S	
		B			SD	SD	SD	SD	SD	
		W/L	S	SD	SD	SD	SD	SD	SD	
	NOT	B		D	D	D	D	D	D	
			W/L	D	D	D	D	D	D	

## Addressing Mode

Classification	Instruction	Size	#xx	Rn	@ERn	Addressing Mode					
						@(d, ERn.L)	@-ERn/ Rn.L.B/ Rn.W/ ERn.L	@ERn+/ @ERn-/ @+ERn	@aa:8	@aa:16/ @aa:32	—
Shift	SHLL, SHLR	B		D	D	D	D	D	D	D	
		W/L <sup>*6</sup>		D	D	D	D	D		D	
		B/W/L <sup>*7</sup>		D							
	SHAL, SHAR, ROTL, ROTR, ROTXL, ROTXR	B		D	D	D	D	D	D	D	
		W/L		D	D	D	D	D		D	
Bit manipulation	BSET, BCLR, BNOT, BTST, BSET/cc, BCLR/cc	B		D	D				D	D	
	BAND, BIAND, BOR, BIOR, BXOR, BIXOR, BLD, BILD, BST, BIST, BSTZ, BISTZ	B		D	D				D	D	
		BFLD	B		D	S			S	S	
BFST	B		S	D			D	D			
Branch	BRA/BS, BRA/BC <sup>*8</sup>	B			S			S	S		
		BSR/BS, BSR/BC <sup>*8</sup>	B			S		S	S		

Classification	Instruction	Size	#xx	Rn	Addressing Mode						
					@ERn	@(d,ERn)	@(d, RnL.B/ Rn.W/ ERn.L)	@-ERn/ @ERn+/ @ERn-/ @+ERn	@aa:8	@aa:16/ @aa:32	—
System control	LDC (CCR, EXR)	B/W* <sup>9</sup>	S	S	S	S			S* <sup>10</sup>	S	
	LDC (VBR, SBR)	L		S							
	STC (CCR, EXR)	B/W* <sup>9</sup>		D	D	D			D* <sup>11</sup>	D	
	STC (VBR, SBR)	L		D							
	ANDC, ORC, XORC	B	S								
	SLEEP	—									O
	NOP	—									O

## [Legend]

d: d:16 or d:32

S: Can be specified as a source operand.

D: Can be specified as a destination operand.

SD: Can be specified as either source or destination operand or both.

S/D: Can be specified as either source or destination operand.

S:4: 4-bit immediate data can be specified as a source operand.

O: Can be used.

Notes: 1. @aa:16 is only available.

2. @ERn+ as a source operand and @-ERn as a destination operand

3. Specified by ER5 as a source address and ER6 as a destination address for data transfer

4. Size of data to be added with a displacement

5. @ERn- is only available.

6. When the number of bits to be shifted is 1, 2, 4, 8, or 16

7. When the number of bits to be shifted is specified by 5-bit immediate data or a general register

8. Size of data to specify a branch condition

9. Byte for immediate or register direct; otherwise, word

10. @ERn+ is only available.

11. @-ERn is only available.

12. Not supported in this LSI

**Table 2.2 Combinations of Instructions and Addressing Modes (2)**

Classifi- cation	Instruction	Size	Addressing Mode							
			@ERn	@(d,PC)	@(RnL.B/ Rn.W/ ERn.L, PC)	@aa:24	@aa:32	@@aa:8	@@vec:7 —	
Branch	BRA/BS, BRA/BC	—		O						
	BSR/BS, BSR/BC	—		O						
	Bcc	—		O						
	BRA	—		O	O					
	BRA/S	—		O*						
	JMP	—	O			O	O	O	O	
	BSR	—		O						
	JSR	—	O			O	O	O	O	
	RTS, RTS/L	—								O
System control	TRAPA	—								O
	RTE, RTE/L	—								O

**[Legend]**

d: d:8 or d:16

Note: \* @(d:8, PC) is only available.

## 2.7.2 Table of Instructions Classified by Function

Tables 2.4 to 2.11 summarize the instructions in each functional category. The notation used in the tables is defined in table 2.3.

**Table 2.3 Operation Notation**

Operation Notation	Description
Rd	General register (destination)*
Rs	General register (source)*
Rn	General register*
ERn	General register (32-bit register)
(EAd)	Destination operand
(EAs)	Source operand
EXR	Extended control register
CCR	Condition-code register
VBR	Vector base register
SBR	Short address base register
N	N (negative) flag in CCR
Z	Z (zero) flag in CCR
V	V (overflow) flag in CCR
C	C (carry) flag in CCR
PC	Program counter
SP	Stack pointer
#IMM	Immediate data
disp	Displacement
+	Addition
-	Subtraction
×	Multiplication
÷	Division
^	Logical AND
∨	Logical OR
⊕	Logical exclusive OR
→	Move
~	Logical not (logical complement)
:8/:16/:24/:32	8-, 16-, 24-, or 32-bit length

Note: \* General registers include 8-bit registers (R0H to R7H, R0L to R7L), 16-bit registers (R0 to R7, E0 to E7), and 32-bit registers (ER0 to ER7).

**Table 2.4 Data Transfer Instructions**

<b>Instruction</b>	<b>Size</b>	<b>Function</b>
MOV	B/W/L	#IMM → (EAd), (EAs) → (EAd) Transfers data between immediate data, general registers, and memory.
MOVFPE*	B	(EAs) → Rd
MOVTPE*	B	Rs → (EAs)
POP	W/L	@SP+ → Rn Restores the data from the stack to a general register.
PUSH	W/L	Rn → @-SP Saves general register contents on the stack.
LDM	L	@SP+ → Rn (register list) Restores the data from the stack to general registers. Two, three, or four general registers which have serial register numbers can be specified.
STM	L	Rn (register list) → @-SP Saves the contents of general registers on the stack. Two, three, or four general registers which have serial register numbers can be specified.
MOVA	B/W	EA → Rd Zero-extends the contents of a specified general register or memory data and adds them with a displacement. The result is stored in a general register.

Note: \* Not supported in this LSI



**Table 2.5 Block Transfer Instructions**

<b>Instruction</b>	<b>Size</b>	<b>Function</b>
EEPMOV.B EEPMOV.W	B	Transfers a data block.  Transfers byte data from a memory location specified by ER5 to a memory location specified by ER6. The number of byte data to be transferred is specified by R4 or R4L.
MOVMD.B	B	Transfers a data block.  Transfers byte data from a memory location specified by ER5 to a memory location specified by ER6. The number of byte data to be transferred is specified by R4.
MOVMD.W	W	Transfers a data block.  Transfers word data from a memory location specified by ER5 to a memory location specified by ER6. The number of word data to be transferred is specified by R4.
MOVMD.L	L	Transfers a data block.  Transfers longword data from a memory location specified by ER5 to a memory location specified by ER6. The number of longword data to be transferred is specified by R4.
MOVSD.B	B	Transfers a data block with zero data detection.  Transfers byte data from a memory location specified by ER5 to a memory location specified by ER6. The number of byte data to be transferred is specified by R4. When zero data is detected during transfer, the transfer stops and execution branches to a specified address.

**Table 2.6 Arithmetic Operation Instructions**

<b>Instruction</b>	<b>Size</b>	<b>Function</b>
ADD	B/W/L	$(EAd) \pm \#IMM \rightarrow (EAd)$ , $(EAd) \pm (EAs) \rightarrow (EAd)$
SUB		Performs addition or subtraction on data between immediate data, general registers, and memory. Immediate byte data cannot be subtracted from byte data in a general register.
ADDX	B/W/L	$(EAd) \pm \#IMM \pm C \rightarrow (EAd)$ , $(EAd) \pm (EAs) \pm C \rightarrow (EAd)$
SUBX		Performs addition or subtraction with carry on data between immediate data, general registers, and memory. A memory location can be specified in the register indirect addressing mode with post-decrement or the register indirect addressing mode.
INC	B/W/L	$Rd \pm 1 \rightarrow Rd$ , $Rd \pm 2 \rightarrow Rd$
DEC		Increments or decrements a general register by 1 or 2. (Byte operands can be incremented or decremented by 1 only.)
ADDS	L	$Rd \pm 1 \rightarrow Rd$ , $Rd \pm 2 \rightarrow Rd$ , $Rd \pm 4 \rightarrow Rd$
SUBS		Adds or subtracts the value 1, 2, or 4 to or from data in a general register.
DAA	B	$Rd$ decimal adjust $\rightarrow Rd$
DAS		Decimal-adjusts an addition or subtraction result in a general register by referring to the CCR to produce 2-digit 4-bit BCD data.
MULXU	B/W	$Rd \times Rs \rightarrow Rd$ Performs unsigned multiplication on data in two general registers: either 8 bits $\times$ 8 bits $\rightarrow$ 16 bits or 16 bits $\times$ 16 bits $\rightarrow$ 32 bits.
MULU	W/L	$Rd \times Rs \rightarrow Rd$ Performs unsigned multiplication on data in two general registers: either 16 bits $\times$ 16 bits $\rightarrow$ 16 bits or 32 bits $\times$ 32 bits $\rightarrow$ 32 bits.
MULU/U	L	$Rd \times Rs \rightarrow Rd$ Performs unsigned multiplication on data in two general registers (32 bits $\times$ 32 bits $\rightarrow$ upper 32 bits).
MULXS	B/W	$Rd \times Rs \rightarrow Rd$ Performs signed multiplication on data in two general registers: either 8 bits $\times$ 8 bits $\rightarrow$ 16 bits or 16 bits $\times$ 16 bits $\rightarrow$ 32 bits.

Instruction	Size	Function
MULS	W/L	$Rd \times Rs \rightarrow Rd$ Performs signed multiplication on data in two general registers: either 16 bits $\times$ 16 bits $\rightarrow$ 16 bits or 32 bits $\times$ 32 bits $\rightarrow$ 32 bits.
MULS/U	L	$Rd \times Rs \rightarrow Rd$ Performs signed multiplication on data in two general registers (32 bits $\times$ 32 bits $\rightarrow$ upper 32 bits).
DIVXU	B/W	$Rd \div Rs \rightarrow Rd$ Performs unsigned division on data in two general registers: either 16 bits $\div$ 8 bits $\rightarrow$ 8-bit quotient and 8-bit remainder or 32 bits $\div$ 16 bits $\rightarrow$ 16-bit quotient and 16-bit remainder.
DIVU	W/L	$Rd \div Rs \rightarrow Rd$ Performs unsigned division on data in two general registers: either 16 bits $\div$ 16 bits $\rightarrow$ 16-bit quotient or 32 bits $\div$ 32 bits $\rightarrow$ 32-bit quotient.
DIVXS	B/W	$Rd \div Rs \rightarrow Rd$ Performs signed division on data in two general registers: either 16 bits $\div$ 8 bits $\rightarrow$ 8-bit quotient and 8-bit remainder or 32 bits $\div$ 16 bits $\rightarrow$ 16-bit quotient and 16-bit remainder.
DIVS	W/L	$Rd \div Rs \rightarrow Rd$ Performs signed division on data in two general registers: either 16 bits $\div$ 16 bits $\rightarrow$ 16-bit quotient or 32 bits $\div$ 32 bits $\rightarrow$ 32-bit quotient.
CMP	B/W/L	(EAd) – #IMM, (EAd) – (EAs) Compares data between immediate data, general registers, and memory and stores CCR bits according to the result.
NEG	B/W/L	$0 - (EAd) \rightarrow (EAd)$ Takes the two's complement (arithmetic complement) of the contents of a general register or a memory location.
EXTU	W/L	(EAd) (zero extension) $\rightarrow$ (EAd) Extends the lower 8 or 16 bits of data in a general register or a memory location to word or longword size by padding with 0s. The lower eight bits can be extended to word or longword, or lower 16 bits to longword.

Instruction	Size	Function
EXTS	W/L	(EAd) (sign extension) $\rightarrow$ (EAd) Extends the lower 8 or 16 bits of data in a general register or a memory location to word size by padding with signs. The lower eight bits can be extended to word or longword, or lower 16 bits to longword.
TAS	B	@ERd - 0, 1 $\rightarrow$ (<bit 7> of @EAd) Tests memory contents, and sets the most significant bit (bit 7) to 1.
MAC	—	(EAd) $\times$ (EAs) + MAC $\rightarrow$ MAC Performs signed multiplication on memory contents and adds the result to the MAC.
CLRMAC	—	0 $\rightarrow$ MAC Clears the MAC to zero.
LDMAC	—	Rs $\rightarrow$ MAC Loads data from a general register to the MAC.
STMAC	—	MAC $\rightarrow$ Rd Stores data from the MAC to a general register.

**Table 2.7 Logic Operation Instructions**

Instruction	Size	Function
AND	B/W/L	(EAd) $\wedge$ #IMM $\rightarrow$ (EAd), (EAd) $\wedge$ (EAs) $\rightarrow$ (EAd) Performs a logical AND operation on data between immediate data, general registers, and memory.
OR	B/W/L	(EAd) $\vee$ #IMM $\rightarrow$ (EAd), (EAd) $\vee$ (EAs) $\rightarrow$ (EAd) Performs a logical OR operation on data between immediate data, general registers, and memory.
XOR	B/W/L	(EAd) $\oplus$ #IMM $\rightarrow$ (EAd), (EAd) $\oplus$ (EAs) $\rightarrow$ (EAd) Performs a logical exclusive OR operation on data between immediate data, general registers, and memory.
NOT	B/W/L	$\sim$ (EAd) $\rightarrow$ (EAd) Takes the one's complement (logical complement) of the contents of a general register or a memory location.

**Table 2.8 Shift Operation Instructions**

Instruction	Size	Function
SHLL	B/W/L	(EAd) (shift) → (EAd)
SHLR		Performs a logical shift on the contents of a general register or a memory location.  The contents of a general register or a memory location can be shifted by 1, 2, 4, 8, or 16 bits. The contents of a general register can also be shifted by any bits. In this case, the number of bits is specified by 5-bit immediate data or the lower 5 bits of general register contents.
SHAL	B/W/L	(EAd) (shift) → (EAd)
SHAR		Performs an arithmetic shift on the contents of a general register or a memory location.  1-bit or 2-bit shift is possible.
ROTL	B/W/L	(EAd) (rotate) → (EAd)
ROTR		Rotates the contents of a general register or a memory location.  1-bit or 2-bit rotation is possible.
ROTXL	B/W/L	(EAd) (rotate) → (EAd)
ROTXR		Rotates the contents of a general register or a memory location with the carry flag.  1-bit or 2-bit rotation is possible.

**Table 2.9 Bit Manipulation Instructions**

Instruction	Size	Function
BSET	B	1 → (<bit-No.> of <EAd>)  Sets a specified bit in the contents of a general register or a memory location to 1. The bit number is specified by 3-bit immediate data or the lower three bits of a general register.
BSET/cc	B	if cc, 1 → (<bit-No.> of <EAd>)  If the specified condition is satisfied, this instruction sets a specified bit in a memory location to 1. The bit number can be specified by 3-bit immediate data, or by the lower three bits of a general register. The Z flag status can be specified as a condition.
BCLR	B	0 → (<bit-No.> of <EAd>)  Clears a specified bit in the contents of a general register or a memory location to 0. The bit number is specified by 3-bit immediate data or the lower three bits of a general register.

Instruction	Size	Function
BCLR/cc	B	<p>if cc, 0 → (&lt;bit-No.&gt; of &lt;EAd&gt;)</p> <p>If the specified condition is satisfied, this instruction clears a specified bit in a memory location to 0. The bit number can be specified by 3-bit immediate data, or by the lower three bits of a general register. The Z flag status can be specified as a condition.</p>
BNOT	B	<p>~ (&lt;bit-No.&gt; of &lt;EAd&gt;) → (&lt;bit-No.&gt; of &lt;EAd&gt;)</p> <p>Inverts a specified bit in the contents of a general register or a memory location. The bit number is specified by 3-bit immediate data or the lower three bits of a general register.</p>
BTST	B	<p>~ (&lt;bit-No.&gt; of &lt;EAd&gt;) → Z</p> <p>Tests a specified bit in the contents of a general register or a memory location and sets or clears the Z flag accordingly. The bit number is specified by 3-bit immediate data or the lower three bits of a general register.</p>
BAND	B	<p><math>C \wedge (\text{&lt;bit-No.&gt; of &lt;EAd&gt;}) \rightarrow C</math></p> <p>Logically ANDs the carry flag with a specified bit in the contents of a general register or a memory location and stores the result in the carry flag. The bit number is specified by 3-bit immediate data.</p>
BIAND	B	<p><math>C \wedge [\sim (\text{&lt;bit-No.&gt; of &lt;EAd&gt;})] \rightarrow C</math></p> <p>Logically ANDs the carry flag with the inverse of a specified bit in the contents of a general register or a memory location and stores the result in the carry flag.</p> <p>The bit number is specified by 3-bit immediate data.</p>
BOR	B	<p><math>C \vee (\text{&lt;bit-No.&gt; of &lt;EAd&gt;}) \rightarrow C</math></p> <p>Logically ORs the carry flag with a specified bit in the contents of a general register or a memory location and stores the result in the carry flag. The bit number is specified by 3-bit immediate data.</p>
BIOR	B	<p><math>C \vee [\sim (\text{&lt;bit-No.&gt; of &lt;EAd&gt;})] \rightarrow C</math></p> <p>Logically ORs the carry flag with the inverse of a specified bit in the contents of a general register or a memory location and stores the result in the carry flag.</p> <p>The bit number is specified by 3-bit immediate data.</p>
BXOR	B	<p><math>C \oplus (\text{&lt;bit-No.&gt; of &lt;EAd&gt;}) \rightarrow C</math></p> <p>Logically exclusive-ORs the carry flag with a specified bit in the contents of a general register or a memory location and stores the result in the carry flag.</p> <p>The bit number is specified by 3-bit immediate data.</p>

Instruction	Size	Function
BIXOR	B	$C \oplus [\sim (\text{<bit-No.> of <EAd>})] \rightarrow C$ Logically exclusive-ORs the carry flag with the inverse of a specified bit in the contents of a general register or a memory location and stores the result in the carry flag. The bit number is specified by 3-bit immediate data.
BLD	B	$(\text{<bit-No.> of <EAd>}) \rightarrow C$ Transfers a specified bit in the contents of a general register or a memory location to the carry flag. The bit number is specified by 3-bit immediate data.
BILD	B	$\sim (\text{<bit-No.> of <EAd>}) \rightarrow C$ Transfers the inverse of a specified bit in the contents of a general register or a memory location to the carry flag. The bit number is specified by 3-bit immediate data.
BST	B	$C \rightarrow (\text{<bit-No.> of <EAd>})$ Transfers the carry flag value to a specified bit in the contents of a general register or a memory location. The bit number is specified by 3-bit immediate data.
BSTZ	B	$Z \rightarrow (\text{<bit-No.> of <EAd>})$ Transfers the zero flag value to a specified bit in the contents of a memory location. The bit number is specified by 3-bit immediate data.
BIST	B	$\sim C \rightarrow (\text{<bit-No.> of <EAd>})$ Transfers the inverse of the carry flag value to a specified bit in the contents of a general register or a memory location. The bit number is specified by 3-bit immediate data.
BISTZ	B	$\sim Z \rightarrow (\text{<bit-No.> of <EAd>})$ Transfers the inverse of the zero flag value to a specified bit in the contents of a memory location. The bit number is specified by 3-bit immediate data.
BFLD	B	$(\text{EAs}) (\text{bit field}) \rightarrow \text{Rd}$ Transfers a specified bit field in memory location contents to the lower bits of a specified general register.
BFST	B	$\text{Rd} \rightarrow (\text{EAd}) (\text{bit field})$ Transfers the lower bits of a specified general register to a specified bit field in memory location contents.

**Table 2.10 Branch Instructions**

<b>Instruction</b>	<b>Size</b>	<b>Function</b>
BRA/BS BRA/BC	B	Tests a specified bit in memory location contents. If the specified condition is satisfied, execution branches to a specified address.
BSR/BS BSR/BC	B	Tests a specified bit in memory location contents. If the specified condition is satisfied, execution branches to a subroutine at a specified address.
Bcc	—	Branches to a specified address if the specified condition is satisfied.
BRA/S	—	Branches unconditionally to a specified address after executing the next instruction. The next instruction should be a 1-word instruction except for the block transfer and branch instructions.
JMP	—	Branches unconditionally to a specified address.
BSR	—	Branches to a subroutine at a specified address.
JSR	—	Branches to a subroutine at a specified address.
RTS	—	Returns from a subroutine
RTS/L	—	Returns from a subroutine, restoring data from the stack to general registers.



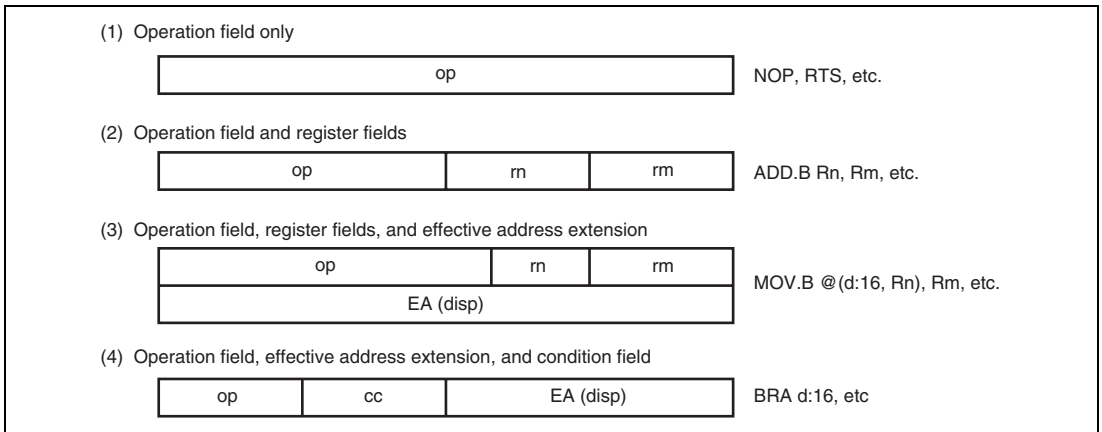
**Table 2.11 System Control Instructions**

<b>Instruction</b>	<b>Size</b>	<b>Function</b>
TRAPA	—	Starts trap-instruction exception handling.
RTE	—	Returns from an exception-handling routine.
RTE/L	—	Returns from an exception-handling routine, restoring data from the stack to general registers.
SLEEP	—	Causes a transition to a power-down state.
LDC	B/W	#IMM → CCR, (EAs) → CCR, #IMM → EXR, (EAs) → EXR Loads immediate data or the contents of a general register or a memory location to CCR or EXR. Although CCR and EXR are 8-bit registers, word-size transfers are performed between them and memory. The upper eight bits are valid.
	L	Rs → VBR, Rs → SBR Transfers the general register contents to VBR or SBR.
STC	B/W	CCR → (EAd), EXR → (EAd) Transfers CCR or EXR contents to a general register or memory. Although CCR and EXR are 8-bit registers, word-size transfers are performed between them and memory. The upper eight bits are valid.
	L	VBR → Rd, SBR → Rd Transfers the contents of VBR or SBR to a general register.
ANDC	B	CCR ∧ #IMM → CCR, EXR ∧ #IMM → EXR Logically ANDs the CCR or EXR contents with immediate data.
ORC	B	CCR ∨ #IMM → CCR, EXR ∨ #IMM → EXR Logically ORs the CCR or EXR contents with immediate data.
XORC	B	CCR ⊕ #IMM → CCR, EXR ⊕ #IMM → EXR Logically exclusive-ORs the CCR or EXR contents with immediate data.
NOP	—	PC + 2 → PC Only increments the program counter.

### 2.7.3 Basic Instruction Formats

The H8SX CPU instructions consist of 2-byte (1-word) units. An instruction consists of an operation field (op field), a register field (r field), an effective address extension (EA field), and a condition field (cc).

Figure 2.14 shows examples of instruction formats.



**Figure 2.14 Instruction Formats**

- **Operation Field**  
Indicates the function of the instruction, the addressing mode, and the operation to be carried out on the operand. The operation field always includes the first four bits of the instruction. Some instructions have two operation fields.
- **Register Field**  
Specifies a general register. Address registers are specified by 3 bits, data registers by 3 bits or 4 bits. Some instructions have two register fields. Some have no register field.
- **Effective Address Extension**  
Eight, 16, or 32 bits specifying immediate data, an absolute address, or a displacement.
- **Condition Field**  
Specifies the branching condition of Bcc instructions.

## 2.8 Addressing Modes and Effective Address Calculation

The H8SX CPU supports the 11 addressing modes listed in table 2.12. Each instruction uses a subset of these addressing modes.

Bit manipulation instructions use register direct, register indirect, or absolute addressing mode to specify an operand, and register direct (BSET, BCLR, BNOT, and BTST instructions) or immediate (3-bit) addressing mode to specify a bit number in the operand.

**Table 2.12 Addressing Modes**

No.	Addressing Mode	Symbol
1	Register direct	Rn
2	Register indirect	@ERn
3	Register indirect with displacement	@(d:2,ERn)/@(d:16,ERn)/@(d:32,ERn)
4	Index register indirect with displacement	@(d:16, RnL.B)/@(d:16,Rn.W)/@(d:16,ERn.L) @(d:32, RnL.B)/@(d:32,Rn.W)/@(d:32,ERn.L)
5	Register indirect with post-increment	@ERn+
	Register indirect with pre-decrement	@-ERn
	Register indirect with pre-increment	@+ERn
	Register indirect with post-decrement	@ERn-
6	Absolute address	@aa:8/@aa:16/@aa:24/@aa:32
7	Immediate	#xx:3/#xx:4/#xx:8/#xx:16/#xx:32
8	Program-counter relative	@(d:8,PC)/@(d:16,PC)
9	Program-counter relative with index register	@(RnL.B,PC)/@(Rn.W,PC)/@(ERn.L,PC)
10	Memory indirect	@@aa:8
11	Extended memory indirect	@@vec:7

### 2.8.1 Register Direct—Rn

The operand value is the contents of an 8-, 16-, or 32-bit general register which is specified by the register field in the instruction code. R0H to R7H and R0L to R7L can be specified as 8-bit registers. R0 to R7 and E0 to E7 can be specified as 16-bit registers. ER0 to ER7 can be specified as 32-bit registers.

### 2.8.2 Register Indirect—@ERn

The operand value is the contents of a memory location which is pointed to by the contents of an address register (ERn). ERn is specified by the register field in the instruction code.

In advanced mode, if this addressing mode is used in a branch instruction, the lower 24 bits are valid and the upper eight bits are all assumed to be 0 (H'00).

### 2.8.3 Register Indirect with Displacement—@(d:2, ERn), @(d:16, ERn), or @(d:32, ERn)

The operand value is the contents of a memory location which is pointed to by the sum of the contents of an address register (ERn) and a 16- or 32-bit displacement. ERn is specified by the register field of the instruction code. The displacement is included in the instruction code and the 16-bit displacement is sign-extended when added to ERn.

This addressing mode has a short format (@(d:2, ERn)). The short format can be used: when a displacement is 1, 2, or 3 and the operand is byte data, when a displacement is 2, 4, or 6 and the operand is word data, or when a displacement is 4, 8, or 12 and the operand is longword data.

### 2.8.4 Index Register Indirect with Displacement—@(d:16,RnL.B), @(d:32,RnL.B), @(d:16,Rn.W), @(d:32,Rn.W), @(d:16,ERn.L), or @(d:32,ERn.L)

The operand value is the contents of a memory location which is pointed to by the sum of the following operation result and a 16- or 32-bit displacement: specified bits of the contents of an address register (RnL, Rn, ERn) specified by the register field in the instruction code are zero-extended to 32-bit data and multiplied by 1, 2, or 4.

The displacement is included in the instruction code and the 16-bit displacement is sign-extended when added to ERn. If the operand is byte data, ERn is multiplied by 1. If the operand is word or longword data, ERn is multiplied by 2 or 4, respectively.

## 2.8.5 Register Indirect with Post-Increment, Pre-Decrement, Pre-Increment, or Post-Decrement—@ERn+, @-ERn, @+ERn, or @ERn-

- Register indirect with post-increment—@ERn+  
The operand value is the contents of a memory location which is pointed to by the contents of an address register (ERn). ERn is specified by the register field in the instruction code. After the memory location is accessed, 1, 2, or 4 is added to the address register contents and the sum is stored in the address register. The value added is 1 for byte access, 2 for word access, or 4 for longword access.
- Register indirect with pre-decrement—@-ERn  
The operand value is the contents of a memory location which is pointed to by the following operation result: the value 1, 2, or 4 is subtracted from the contents of an address register (ERn) which is specified by the register field in the instruction code. After that, the subtraction result is stored in the address register. The value subtracted is 1 for byte access, 2 for word access, or 4 for longword access.
- Register indirect with pre-increment—@+ERn  
The operand value is the contents of a memory location which is pointed to by the following operation result: the value 1, 2, or 4 is added to the contents of an address register (ERn) which is specified by the register field in the instruction code. After that, the sum is stored in the address register. The value added is 1 for byte access, 2 for word access, or 4 for longword access.
- Register indirect with post-decrement—@ERn-  
The operand value is the contents of a memory location which is pointed to by the contents of an address register (ERn). ERn is specified by the register field in the instruction code. After the memory location is accessed, 1, 2, or 4 is subtracted from the address register contents and the subtraction result is stored in the address register. The value subtracted is 1 for byte access, 2 for word access, or 4 for longword access.

If the contents of a general register which is also used as an address register is written to memory using this addressing mode, data to be written is the contents of the general register after calculating an effective address. If the same general register is specified in an instruction and two effective addresses are calculated, the contents of the general register after the first calculation of an effective address is used in the second calculation of an effective address.

**Example 1:**

MOV.W           R0, @ER0+

When ER0 before execution is H'12345678, H'567A is written at H'12345678.

**Example 2:**

MOV.B           @ER0+, @ER0+

When ER0 before execution is H'00001000, H'00001000 is read and the contents is written at H'00001001.

After execution, ER0 is H'00001002.

**2.8.6 Absolute Address—@aa:8, @aa:16, @aa:24, or @aa:32**

The operand value is the contents of a memory location which is pointed to by an absolute address included in the instruction code. There are 8-bit (@aa:8), 16-bit (@aa:16), 24-bit (@aa:24), and 32-bit (@aa:32) absolute addresses.

To access the data area, the absolute address of eight bits (@aa:8), 16 bits (@aa:16), or 32 bits (@aa:32) is used. For an 8-bit absolute address, the upper 24 bits are specified by SBR. For a 16-bit absolute address, the upper 16 bits are sign-extended. A 32-bit absolute address can access the entire address space.

To access the program area, the absolute address of 24 bits (@aa:24) or 32 bits (@aa:32) is used. For a 24-bit absolute address, the upper eight bits are all assumed to be 0 (H'00).

Table 2.13 shows the accessible absolute address ranges.

**Table 2.13 Absolute Address Access Ranges**

Absolute Address		Normal Mode	Middle Mode	Advanced Mode	Maximum Mode
Data area	8 bits (@aa:8)	A consecutive 256-byte area (the upper address bits are set in SBR)			
	16 bits (@aa:16)	H'0000 to H'FFFF	H'000000 to H'007FFF,	H'00000000 to H'00007FFF, H'FFFF8000 to H'FFFFFFFF	
	32 bits (@aa:32)		H'FF8000 to H'FFFFFF	H'00000000 to H'FFFFFFFF	
Program area	24 bits (@aa:24)		H'000000 to H'FFFFFF	H'00000000 to H'00FFFFFF	
	32 bits (@aa:32)			H'00000000 to H'00FFFFFF	H'00000000 to H'FFFFFFFF

### 2.8.7 Immediate—#xx

The operand value is 8-bit (#xx:8), 16-bit (#xx:16), or 32-bit (#xx:32) data included in the instruction code. This addressing mode has short formats in which 3- or 4-bit immediate data can be used.

When the size of immediate data is less than that of the operand size (byte, word, or longword), the immediate data is zero-extended.

The ADDS, SUBS, INC, and DEC instructions contain immediate data implicitly. Some bit manipulation instructions contain 3-bit immediate data in the instruction code, specifying a bit number. The BFLD and BFST instructions contain 8-bit immediate data in its instruction code, specifying bit numbers. The TRAPA instruction contains 2-bit immediate data in its instruction code, specifying a vector address.

### 2.8.8 Program-Counter Relative—@(d:8, PC) or @(d:16, PC)

This mode is used in the Bcc and BSR instructions. The operand value is a 32-bit branch address, which is the sum of an 8- or 16-bit displacement in the instruction code and the 32-bit address of the PC contents. The 8-bit or 16-bit displacement is sign-extended when added to the PC contents.

The PC contents to which the displacement is added is the address of the first byte of the next instruction, so the possible branching range is  $-126$  to  $+128$  bytes ( $-63$  to  $+64$  words) or  $-32766$  to  $+32768$  bytes ( $-16383$  to  $+16384$  words) from the branch instruction. The resulting value should be an even number. In advanced mode, only the lower 24 bits of this branch address are valid; the upper eight bits are all assumed to be 0 (H'00).

### 2.8.9 Program-Counter Relative with Index Register—@(RnL.B, PC), @(Rn.W, PC), or @(ERn.L, PC)

This mode is used in the Bcc and BSR instructions. The operand value is a 32-bit branch address, which is the sum of the following operation result and the 32-bit address of the PC contents: specified bits of the contents of an address register (RnL, Rn, or ERn) specified by the register field in the instruction code is zero-extended to 32-bit data and multiplied by 2.

The PC content to which the displacement is added is the address of the first byte of the next instruction. In advanced mode, only the lower 24 bits of this branch address are valid; the upper eight bits are all assumed to be 0 (H'00).

### 2.8.10 Memory Indirect—@@aa:8

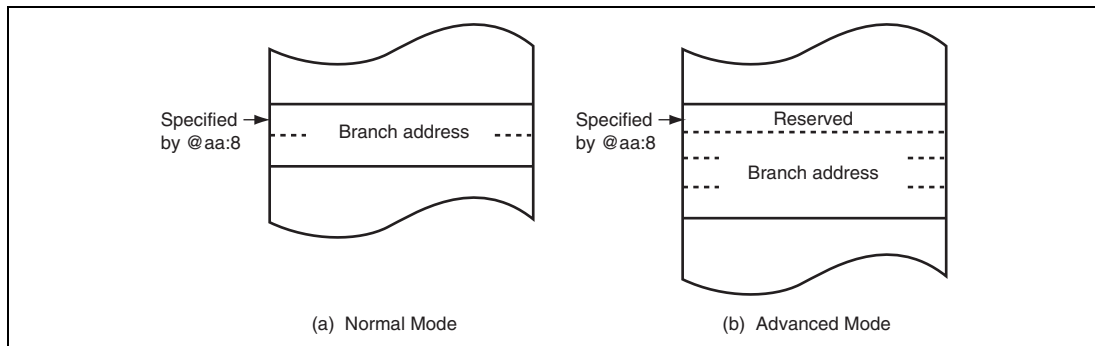
This mode is used in the JMP and JSR instructions. The operand value is a branch address, which is the content of a memory location pointed to by an 8-bit absolute address in the instruction code.

The upper bits of an 8-bit absolute address are all assumed to be 0, so the address range to store a branch address is 0 to 255 (H'0000 to H'00FF in normal mode, H'000000 to H'0000FF in other modes). In normal mode, the memory location is pointed to by word-size data and the branch address is 16 bits long. In other modes, the memory location is pointed to by longword-size data. In middle or advanced mode, the first byte of the longword-size data is assumed to be all 0 (H'00).

Note that the top part of the address range is also used as the exception handling vector area. A vector address of an exception handling other than a reset or a CPU address error can be changed by VBR.



Figure 2.15 shows an example of specification of a branch address using this addressing mode.



**Figure 2.15 Branch Address Specification in Memory Indirect Mode**

### 2.8.11 Extended Memory Indirect—`@@vec:7`

This mode is used in the JMP and JSR instructions. The operand value is a branch address, which is the contents of a memory location pointed to by the following operation result: the sum of 7-bit data in the instruction code and the value of H'80 is multiplied by 2 or 4.

The address range to store a branch address is H'0100 to H'01FF in normal mode and H'000200 to H'0003FF in other modes. In assembler notation, an address to store a branch address is specified.

In normal mode, the memory location is pointed to by word-size data and the branch address is 16 bits long. In other modes, the memory location is pointed to by longword-size data. In middle or advanced mode, the first byte of the longword-size data is assumed to be all 0 (H'00).







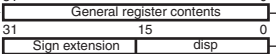
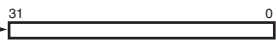

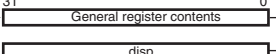
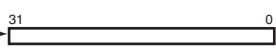

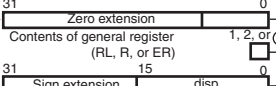
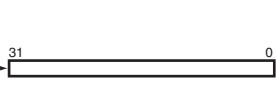

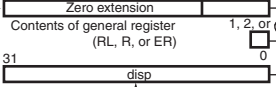
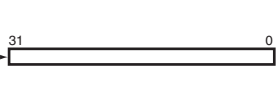

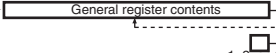
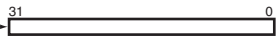


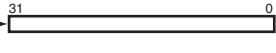

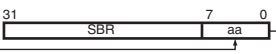
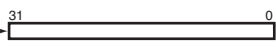
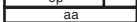
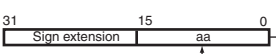
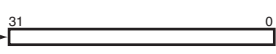

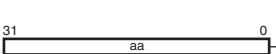

### 2.8.12 Effective Address Calculation

Tables 2.14 and 2.15 show how effective addresses are calculated in each addressing mode. The lower bits of the effective address are valid and the upper bits are ignored (zero extended or sign extended) according to the CPU operating mode.


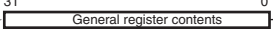
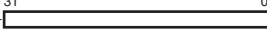

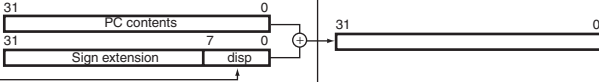

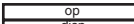
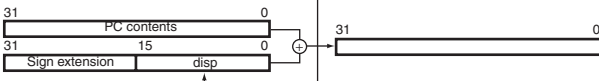


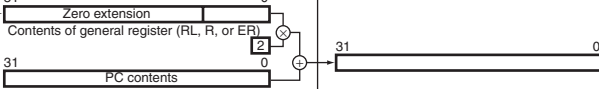






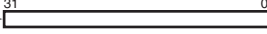




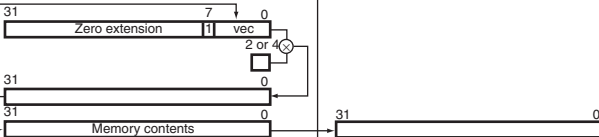

The valid bits in middle mode are as follows:

- The lower 16 bits of the effective address are valid and the upper 16 bits are sign-extended for the transfer and operation instructions.
- The lower 24 bits of the effective address are valid and the upper eight bits are zero-extended for the branch instructions.

Table 2.14 Effective Address Calculation for Transfer and Operation Instructions

No.	Addressing Mode and Instruction Format	Effective Address Calculation	Effective Address (EA)
1	Immediate 		
2	Register direct 		
3	Register indirect 		
4	Register indirect with 16-bit displacement 		
	Register indirect with 32-bit displacement 		
5	Index register indirect with 16-bit displacement 		
	Index register indirect with 32-bit displacement 		
6	Register indirect with post-increment or post-decrement 		
	Register indirect with pre-increment or pre-decrement 		
7	8-bit absolute address 		
	16-bit absolute address 		
	32-bit absolute address 		

**Table 2.15 Effective Address Calculation for Branch Instructions**

No.	Addressing Mode and Instruction Format	Effective Address Calculation	Effective Address (EA)
1	Register indirect 		
2	Program-counter relative with 8-bit displacement 		
	Program-counter relative with 16-bit displacement 		
3	Program-counter relative with index register 		
4	24-bit absolute address 		
	32-bit absolute address 		
5	Memory indirect 		
6	Extended memory indirect 		

### 2.8.13 MOVA Instruction

The MOVA Instruction stores the effective address into the general register.

1. Obtains data in the addressing mode of No.2 in table 2.14.
2. By using this data as the index instead of the general register in row No.5 in table 14.2, the effective address calculation is executed, and the outcome is stored in the general register.

For details, see the H8SX Family Software Manual.

## 2.9 Processing States

The H8SX CPU has five main processing states: the reset state, exception-handling state, program execution state, bus-released state, and program stop state. Figure 2.16 indicates the state transitions.

- Reset state

In this state the CPU and internal peripheral modules are all initialized and stopped. When the  $\overline{\text{RES}}$  input goes low, all current processing stops and the CPU enters the reset state. All interrupts are masked in the reset state. Reset exception handling starts when the  $\overline{\text{RES}}$  signal changes from low to high. For details, see section 4, Exception Handling.

The reset state can also be entered by a watchdog timer overflow when available.

- Exception-handling state

The exception-handling state is a transient state that occurs when the CPU alters the normal processing flow due to activation of an exception source, such as, a reset, trace, interrupt, or trap instruction. The CPU fetches a start address (vector) from the exception handling vector table and branches to that address. For further details, see section 4, Exception Handling.

- Program execution state

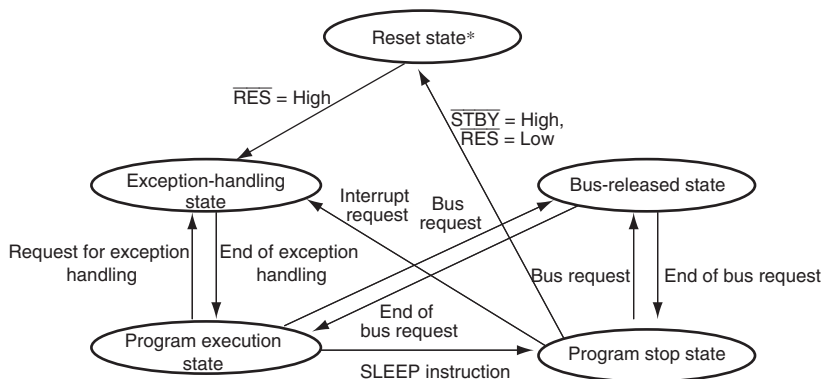
In this state the CPU executes program instructions in sequence.

- Bus-released state

The bus-released state occurs when the bus has been released in response to a bus request from a bus master other than the CPU. While the bus is released, the CPU halts operations.

- Program stop state

This is a power-down state in which the CPU stops operating. The program stop state occurs when a SLEEP instruction is executed or the CPU enters hardware standby mode. For details, see section 19, Power-Down Modes.



Notes: In any state, when the  $\overline{\text{STBY}}$  signal goes low, the hardware standby mode is entered.

\* From any state except hardware standby mode, a transition to the reset state occurs whenever the  $\overline{\text{RES}}$  signal goes low. A transition can also be made to the reset state when the watchdog timer overflows.

**Figure 2.16 State Transitions**



## Section 3 MCU Operating Modes

### 3.1 Operating Mode Selection

This LSI has two operating modes (modes 4 and 5). The operating mode is selected by the setting of mode pins (MD2 to MD0). Table 3.1 lists MCU operating mode settings.

**Table 3.1 MCU Operating Mode Settings**

MCU Operating Mode	Mode Pins			CPU Operating Mode	Address Space	Description	On-Chip ROM	External Data Bus Width	
	MD2	MD1	MD0					Default	Max.
4	1	0	0	Advanced	16 Mbytes	On-chip ROM disabled extended mode	Disabled	16 bits	16 bits
5	1	0	1				Disabled	8 bits	16 bits

In this LSI, advanced mode for the CPU operating mode, 16 Mbytes for the address space, and eight or 16 bits for the default external bus width are available.

In modes 4 and 5, which are external extended modes, it is possible to access the external memory and devices. In external extended mode, the external address space can be designated as 8-bit or 16-bit address space for each area by the bus controller after starting program execution. If 16-bit address space is designated for any one area, the bus mode switches to 16 bits. If 8-bit address space is designated for all areas, the bus mode switches to 8 bits.

## 3.2 Register Descriptions

The following registers are related to the operating mode setting.

- Mode control register (MDCR)
- System control register (SYSCR)

### 3.2.1 Mode Control Register (MDCR)

MDCR indicates the current operating mode.

When MDCR is read, the input levels in pins MD2 to MD 0 are latched. These latches are released by a reset.

Bit	15	14	13	12	11	10	9	8
Bit Name	—	—	—	—	—	MDS2	MDS1	MDS0
Initial Value	0	1	0	1	0	Undefined*	Undefined*	Undefined*
R/W	R	R	R	R	R	R	R	R
Bit	7	6	5	4	3	2	1	0
Bit Name	—	—	—	—	—	—	—	—
Initial Value	0	1	0	1	0	Undefined*	Undefined*	Undefined*
R/W	R	R	R	R	R	R	R	R

Note: \* Determined by pins MD2 to MD0.

Bit	Bit Name	Initial Value	R/W	Descriptions
15	—	0	R	Reserved
14	—	1	R	These are read-only bits and cannot be modified.
13	—	0	R	
12	—	1	R	
11	—	0	R	
10	MDS2	Undefined*	R	Mode Select 2 to 0
9	MDS1	Undefined*	R	These bits indicate the operating mode selected by the mode pins (MD2 to MD0) (see table 3.2). When MDCR is read, the signal levels input on pins MD2 to MD0 are latched into these bits. These latches are released by a reset.
8	MDS0	Undefined*	R	



Bit	Bit Name	Initial Value	R/W	Descriptions
7	—	0	R	Reserved
6	—	1	R	These are read-only bits and cannot be modified.
5	—	0	R	
4	—	1	R	
3	—	0	R	
2	—	Undefined*	R	
1	—	Undefined*	R	
0	—	Undefined*	R	

Note: \* Determined by pins MD2 to MD0.

**Table 3.2 Settings of Bits MSD2 to MSD0**

MCU Operating Mode	MD2	MD1	MD0	MDCR		
				MDS2	MDS1	MDS0
4	1	0	0	0	1	0
5	1	0	1	0	0	1

### 3.2.2 System Control Register (SYSCR)

SYSCR controls MAC saturation operation, selects bus width mode for instruction fetch, sets external bus mode, enables/disables the on-chip RAM, and selects the DTC address mode.

Bit	15	14	13	12	11	10	9	8
Bit Name	—	—	MACS	—	FETCHMD	—	EXPE	RAME
Initial Value	1	1	0	1	0	0	Undefined*	1
R/W	R/W	R/W	R/W	R/W	R/W	R/W	R/W	R/W
Bit	7	6	5	4	3	2	1	0
Bit Name	—	—	—	—	—	—	DTCMD	—
Initial Value	0	0	0	0	0	0	1	1
R/W	R/W	R/W	R/W	R/W	R/W	R/W	R/W	R/W

Note: \* The initial value depends on the startup mode.

Bit	Bit Name	Initial Value	R/W	Descriptions
15, 14	—	All 1	R/W	Reserved These bits are always read as 1. The write value should always be 1.
13	MACS	0	R/W	MAC Saturation Operation Control Selects either saturation operation or non-saturation operation for the MAC instruction. 0: MAC instruction is non-saturation operation 1: MAC instruction is saturation operation
12	—	1	R/W	Reserved This bit is always read as 1. The write value should always be 1.
11	FETCHMD	0	R/W	Instruction Fetch Mode Select The H8SX CPU has two modes for instruction fetch: 16-bit and 32-bit modes. It is recommended that the mode should be set according to the bus width of the memory in which the program is stored* <sup>1</sup> . 0: 32-bit width 1: 16-bit width

Bit	Bit Name	Initial Value	R/W	Descriptions
10	—	0	R/W	Reserved This bit is always read as 0. The write value should always be 0.
9	EXPE	Undefined *2	R/W	External Bus Mode Enable Selects external bus mode. In external extended mode, this bit is fixed at 1 and cannot be changed. In single-chip mode, the initial value of this bit is 0, and can be read from or written to. When writing 0 to this bit after reading EXPE = 1, an external bus cycle should not be executed. The external bus cycle may be carried out in parallel with the internal bus cycle depending on the setting of the write data buffer function. 0: External bus disabled 1: External bus enabled
8	RAME	1	R/W	RAM Enable Enables or disables the on-chip RAM. This bit is initialized when the reset state is released. Do not write 0 during access to the on-chip RAM. 0: On-chip RAM disabled 1: On-chip RAM enabled
7 to 2	—	All 0	R/W	Reserved These bits are always read as 0. The write value should always be 0.
1	DTCMD	1	R/W	DTC Mode Select Selects DTC operation mode. 0: DTC is in full-address mode 1: DTC is in short address mode
0	—	1	R/W	Reserved This bit is always read as 1. The write value should always be 1.

Notes: 1. For details, see section 2.3, Instruction Fetch.

2. The initial value depends on the startup mode.

In operating modes 4 and 5, which are external extended modes, EXPE = 1.

## 3.3 Operating Mode Descriptions

### 3.3.1 Mode 4

The CPU operating mode is advanced mode in which the address space is 16 Mbytes, and the on-chip ROM is disabled.

The initial bus mode immediately after a reset is 16 bits, with 16-bit access to all areas. Ports D, E, and F function as an address bus, ports H and I function as a data bus, and parts of ports A and B function as bus control signals. However, if all areas are designated as an 8-bit access space by the bus controller, the bus mode switches to 8 bits, and only port H functions as a data bus.

### 3.3.2 Mode 5

The CPU operating mode is advanced mode in which the address space is 16 Mbytes, and the on-chip ROM is disabled.

The initial bus mode immediately after a reset is 8 bits, with 8-bit access to all areas. Ports D, E, and F function as an address bus, port H functions as a data bus, and parts of ports A and B function as bus control signals. However, if all areas are designated as a 16-bit access space by the bus controller, the bus mode switches to 16 bits, and ports H and I function as a data bus.

### 3.3.3 Pin Functions

Table 3.3 lists the pin functions in each operating mode.

**Table 3.3 Pin Functions in Each Operating Mode (Advanced Mode)**

	Port	Mode 4	Mode 5
Port A	PA7	P/C*	P/C*
	PA6, PA4	P/C*	P/C*
	PA2 to PA0	P*/C	P*/C
Port B	PB3 to 1	P*/C	P*/C
	PB0	P/C*	P/C*
Port D		A	A
Port E		A	A
Port F	PF7 to PF5	P*/A	P*/A
	PF4 to PF0	A	A
Port H		D	D
Port I		P/D*	P*/D

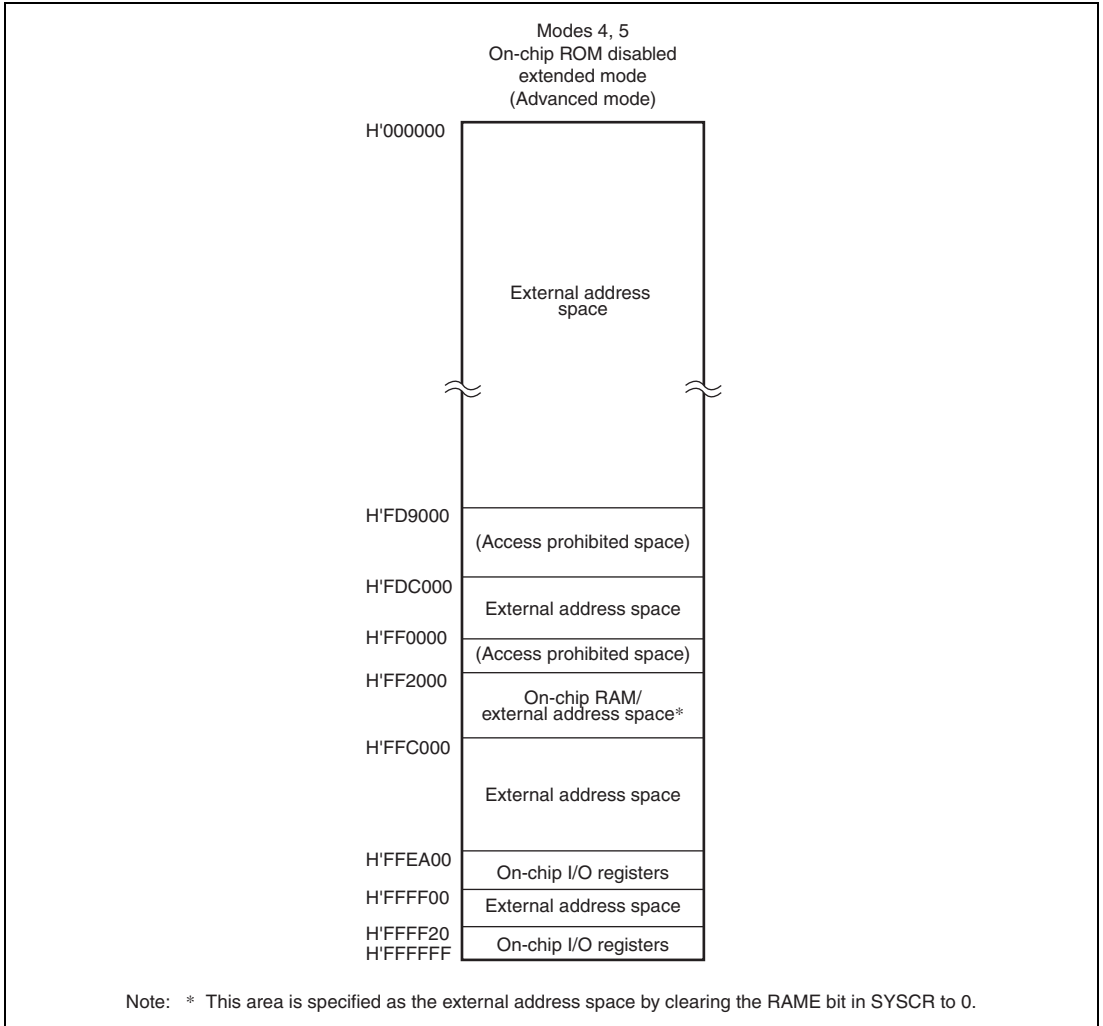
[Legend]

- P: I/O port
- A: Address bus output
- D: Data bus input/output
- C: Control signals, clock input/output
- \*: Immediately after a reset

## 3.4 Address Map

### 3.4.1 Address Map (Advanced Mode)

Figure 3.1 shows the address map.




**Figure 3.1 Address Map (Advanced Mode)**

## Section 4 Exception Handling

### 4.1 Exception Handling Types and Priority

As table 4.1 indicates, exception handling is caused by a reset, a trace, an address error, an interrupt, a trap instruction, and an illegal instruction (general illegal instruction or slot illegal instruction). Exception handling is prioritized as shown in table 4.1. If two or more exceptions occur simultaneously, they are accepted and processed in order of priority. Exception sources, the stack structure, and operation of the CPU vary depending on the interrupt control mode. For details on the interrupt control mode, see section 5, Interrupt Controller.

**Table 4.1 Exception Types and Priority**

Priority	Exception Type	Exception Handling Start Timing
High  Low	Reset	Exception handling starts at the timing of level change from low to high on the $\overline{\text{RES}}$ pin, or when the watchdog timer overflows. The CPU enters the reset state when the $\overline{\text{RES}}$ pin is low.
	Illegal instruction	Exception handling starts when an undefined code is executed.
	Trace* <sup>1</sup>	Exception handling starts after execution of the current instruction or exception handling, if the trace (T) bit in EXR is set to 1.
	Address error	After an address error has occurred, exception handling starts on completion of instruction execution.
	Interrupt	Exception handling starts after execution of the current instruction or exception handling, if an interrupt request has occurred.* <sup>2</sup>
	Trap instruction* <sup>3</sup>	Exception handling starts by execution of a trap instruction (TRAPA).

- Notes:
- Traces are enabled only in interrupt control mode 2. Trace exception handling is not executed after execution of an RTE instruction.
  - Interrupt detection is not performed on completion of ANDC, ORC, XORC, or LDC instruction execution, or on completion of reset exception handling.
  - Trap instruction exception handling requests are accepted at all times in program execution state.

## 4.2 Exception Sources and Exception Handling Vector Table

Different vector table address offsets are assigned to different exception sources. The vector table addresses are calculated from the contents of the vector base register (VBR) and vector table address offset of the vector number. The start address of the exception service routine is fetched from the exception handling vector table indicated by this vector table address.

Table 4.2 shows the correspondence between the exception sources and vector table address offsets. Table 4.3 shows the calculation method of exception handling vector table addresses.

Since the usable modes differ depending on the product, for details on the available modes, see section 3, MCU Operating Modes.

**Table 4.2 Exception Handling Vector Table**

Exception Source	Vector Number	Vector Table Address Offset* <sup>1</sup>		
		Normal Mode* <sup>2</sup>	Advanced, Middle* <sup>2</sup> , Maximum* <sup>2</sup> Modes	
Reset	0	H'0000 to H'0001	H'0000 to H'0003	
Reserved for system use	1	H'0002 to H'0003	H'0004 to H'0007	
	2	H'0004 to H'0005	H'0008 to H'000B	
	3	H'0006 to H'0007	H'000C to H'000F	
Illegal instruction	4	H'0008 to H'0009	H'0010 to H'0013	
Trace	5	H'000A to H'000B	H'0014 to H'0017	
Reserved for system use	6	H'000C to H'000D	H'0018 to H'001B	
Interrupt (NMI)	7	H'000E to H'000F	H'001C to H'001F	
Trap instruction	(#0)	8	H'0010 to H'0011	H'0020 to H'0023
	(#1)	9	H'0012 to H'0013	H'0024 to H'0027
	(#2)	10	H'0014 to H'0015	H'0028 to H'002B
	(#3)	11	H'0016 to H'0017	H'002C to H'002F
CPU address error	12	H'0018 to H'0019	H'0030 to H'0033	
DMA address error* <sup>3</sup>	13	H'001A to H'001B	H'0034 to H'0037	
Reserved for system use	14	H'001C to H'001D	H'0038 to H'003B	
	17	H'0022 to H'0023	H'0044 to H'0047	
Sleep interrupt	18	H'0024 to H'0025	H'0048 to H'004B	



Exception Source	Vector Number	Vector Table Address Offset* <sup>1</sup>		
		Normal Mode* <sup>2</sup>	Advanced, Middle* <sup>2</sup> , Maximum* <sup>2</sup> Modes	
Reserved for system use	19	H'0026 to H'0027	H'004C to H'004F	
	23	H'002E to H'002F	H'005C to H'005F	
User area (open space)	24	H'0030 to H'0031	H'0060 to H'0063	
	63	H'007E to H'007F	H'00FC to H'00FF	
External interrupt	IRQ0	64	H'0080 to H'0081	H'0100 to H'0103
	IRQ1	65	H'0082 to H'0083	H'0104 to H'0107
	IRQ2	66	H'0084 to H'0085	H'0108 to H'010B
	IRQ3	67	H'0086 to H'0087	H'010C to H'010F
	IRQ4	68	H'0088 to H'0089	H'0110 to H'0113
	IRQ5	69	H'008A to H'008B	H'0114 to H'0117
	IRQ6	70	H'008C to H'008D	H'0118 to H'011B
	IRQ7	71	H'008E to H'008F	H'011C to H'011F
	IRQ8	72	H'0090 to H'0091	H'0120 to H'0123
	IRQ9	73	H'0092 to H'0093	H'0124 to H'0127
	IRQ10	74	H'0094 to H'0095	H'0128 to H'012B
	IRQ11	75	H'0096 to H'0097	H'012C to H'012F
Reserved for system use	76	H'0098 to H'0099	H'0130 to H'0133	
	79	H'009E to H'009F	H'013C to H'013F	
Internal interrupt* <sup>4</sup>	80	H'00A0 to H'00A1	H'0140 to H'0143	
	255	H'01FE to H'01FF	H'03FC to H'03FF	

- Notes:
1. Lower 16 bits of the address.
  2. Not available in this LSI.
  3. A DMA address error is generated by the DTC and DMAC.
  4. For details of internal interrupt vectors, see section 5.5, Interrupt Exception Handling Vector Table.

**Table 4.3 Calculation Method of Exception Handling Vector Table Address**

Exception Source	Calculation Method of Vector Table Address
Reset, CPU address error	Vector table address = (vector table address offset)
Other than above	Vector table address = VBR + (vector table address offset)

[Legend]

VBR: Vector base register  
 Vector table address offset: See table 4.2.

## 4.3 Reset

A reset has priority over any other exception. When the  $\overline{\text{RES}}$  pin goes low, all processing halts and this LSI enters the reset state. To ensure that this LSI is reset, hold the  $\overline{\text{RES}}$  pin low for at least 20 ms with the  $\text{STBY}$  pin driven high when the power is turned on. When operation is in progress, hold the  $\overline{\text{RES}}$  pin low for at least 20 cycles.

The chip can also be reset by overflow of the watchdog timer. For details, see section 13, Watchdog Timer (WDT).

A reset initializes the internal state of the CPU and the registers of the on-chip peripheral modules. The interrupt control mode is 0 immediately after a reset.

### 4.3.1 Reset Exception Handling

When the  $\overline{\text{RES}}$  pin goes high after being held low for the necessary time, this LSI starts reset exception handling as follows:

1. The internal state of the CPU and the registers of the on-chip peripheral modules are initialized, VBR is cleared to H'00000000, the T bit is cleared to 0 in EXR, and the I bits are set to 1 in EXR and CCR.
2. The reset exception handling vector address is read and transferred to the PC, and program execution starts from the address indicated by the PC.

Figures 4.1 and 4.2 show examples of the reset sequence.

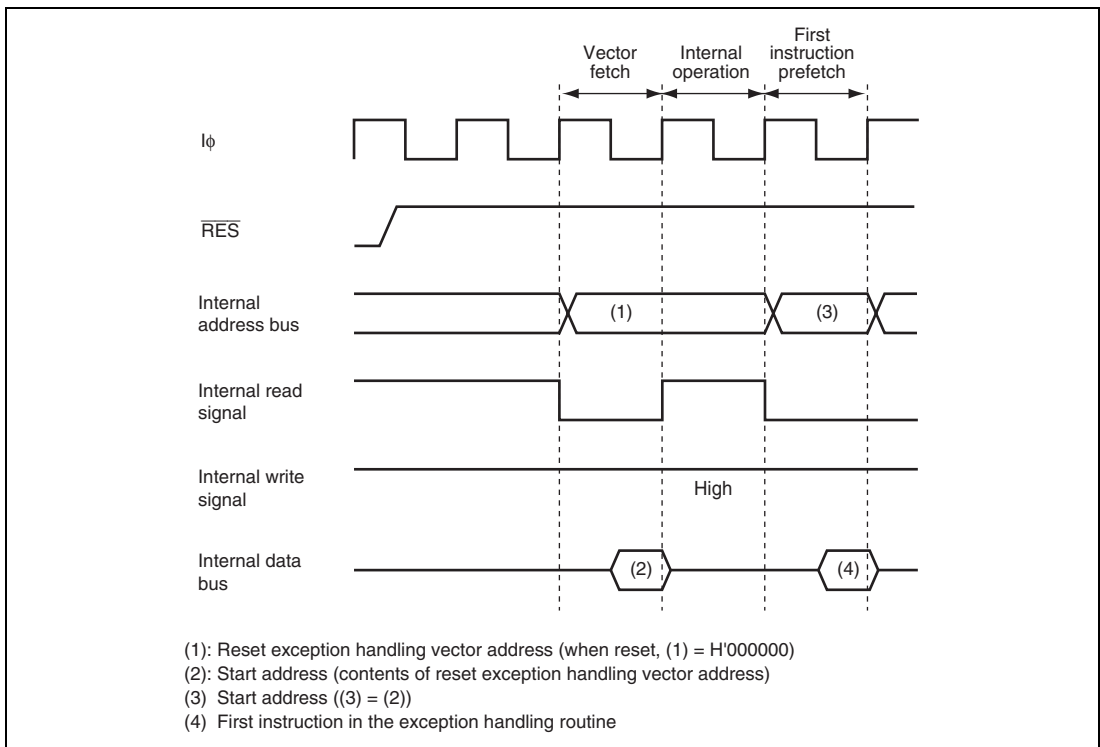
### 4.3.2 Interrupts after Reset

If an interrupt is accepted after a reset but before the stack pointer (SP) is initialized, the PC and CCR will not be saved correctly, leading to a program crash. To prevent this, all interrupt requests, including NMI, are disabled immediately after a reset. Since the first instruction of a program is always executed immediately after the reset state ends, make sure that this instruction initializes the stack pointer (example: `MOV.L #xx: 32, SP`).

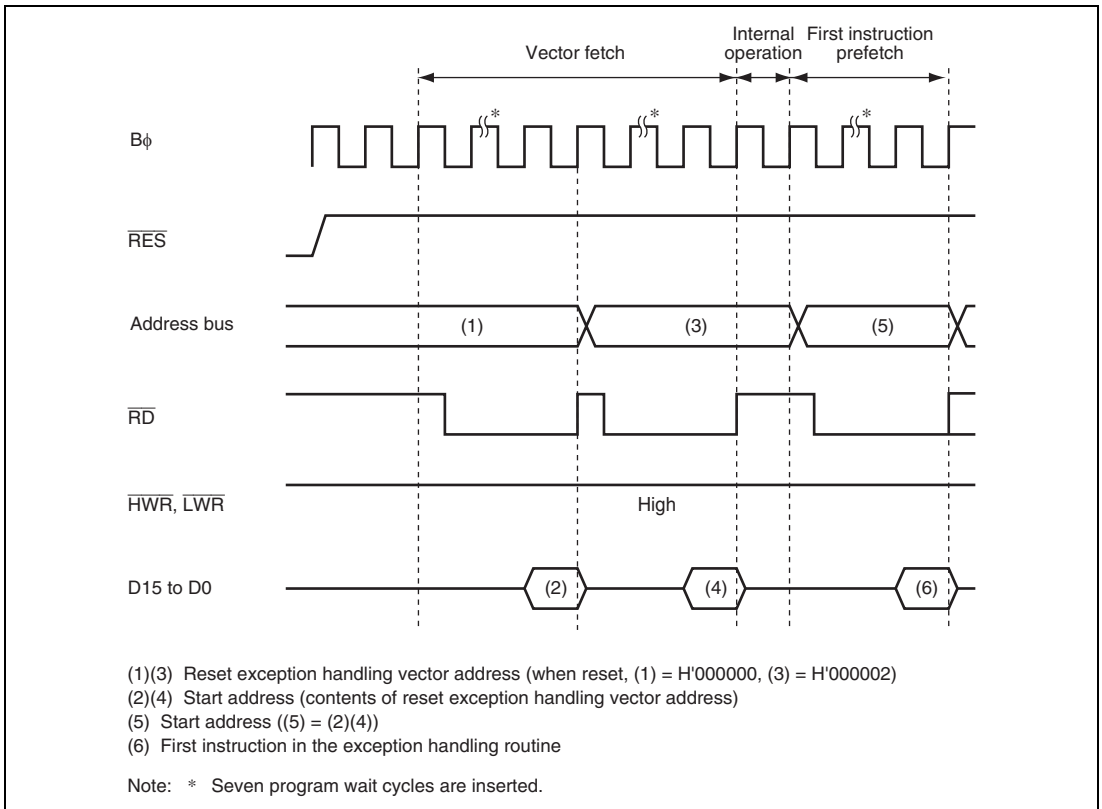
### 4.3.3 On-Chip Peripheral Functions after Reset Release

After the reset state is released, MSTPCRA and MSTPCRB are initialized to H'0FFF and H'FFFF, respectively, and all modules except the DTC and DMAC enter module stop mode.

Consequently, on-chip peripheral module registers cannot be read or written to. Register reading and writing is enabled when module stop mode is canceled.



**Figure 4.1 Reset Sequence (On-chip ROM Enabled Advanced Mode)**



**Figure 4.2 Reset Sequence**  
**(16-Bit External Access in On-chip ROM Disabled Advanced Mode)**

## 4.4 Traces

Traces are enabled in interrupt control mode 2. Trace mode is not activated in interrupt control mode 0, irrespective of the state of the T bit. Before changing interrupt control modes, the T bit must be cleared. For details on interrupt control modes, see section 5, Interrupt Controller.

If the T bit in EXR is set to 1, trace mode is activated. In trace mode, a trace exception occurs on completion of each instruction. Trace mode is not affected by interrupt masking by CCR. Table 4.4 shows the state of CCR and EXR after execution of trace exception handling. Trace mode is canceled by clearing the T bit in EXR to 0 during the trace exception handling. However, the T bit saved on the stack retains its value of 1, and when control is returned from the trace exception handling routine by the RTE instruction, trace mode resumes. Trace exception handling is not carried out after execution of the RTE instruction.

Interrupts are accepted even within the trace exception handling routine.

**Table 4.4 Status of CCR and EXR after Trace Exception Handling**

Interrupt Control Mode	CCR		EXR	
	I	UI	I2 to I0	T
0	Trace exception handling cannot be used.			
2	1	—	—	0

[Legend]

- 1: Set to 1
- 0: Cleared to 0
- : Retains the previous value.

## 4.5 Address Error

### 4.5.1 Address Error Source

Instruction fetch, stack operation, or data read/write shown in table 4.5 may cause an address error.

**Table 4.5 Bus Cycle and Address Error**

Bus Cycle		Description	Address Error
Type	Bus Master		
Instruction fetch	CPU	Fetches instructions from even addresses	No (normal)
		Fetches instructions from odd addresses	Occurs
		Fetches instructions from areas other than on-chip peripheral module space* <sup>1</sup>	No (normal)
		Fetches instructions from on-chip peripheral module space* <sup>1</sup>	Occurs
		Fetches instructions from external memory space in single-chip mode	Occurs
		Fetches instructions from access prohibited area.* <sup>2</sup>	Occurs
Stack operation	CPU	Accesses stack when the stack pointer value is even address	No (normal)
		Accesses stack when the stack pointer value is odd	Occurs
Data read/write	CPU	Accesses word data from even addresses	No (normal)
		Accesses word data from odd addresses	No (normal)
		Accesses external memory space in single-chip mode	Occurs
		Accesses to access prohibited area* <sup>2</sup>	Occurs
Data read/write	DTC or DMAC	Accesses word data from even addresses	No (normal)
		Accesses word data from odd addresses	No (normal)
		Accesses external memory space in single-chip mode	Occurs
		Accesses to access prohibited area* <sup>2</sup>	Occurs
Single address transfer	DMAC	Address access space is the external memory space for single address transfer	No (normal)
		Address access space is not the external memory space for single address transfer	Occurs

Notes: 1. For on-chip peripheral module space, see section 6, Bus Controller (BSC).

2. For the access-prohibited area, see figure 3.1, Address Map (Advanced Mode) in section 3.4, Address Map.

## 4.5.2 Address Error Exception Handling

When an address error occurs, address error exception handling starts after the bus cycle causing the address error ends and current instruction execution completes. The address error exception handling is as follows:

1. The contents of PC, CCR, and EXR are saved in the stack.
2. The interrupt mask bit is updated and the T bit is cleared to 0.
3. An exception handling vector table address corresponding to the address error is generated, the start address of the exception service routine is loaded from the vector table to PC, and program execution starts from that address.

Even though an address error occurs during a transition to an address error exception handling, the address error is not accepted. This prevents an address error from occurring due to stacking for exception handling, thereby preventing infinite stacking.

If the SP contents are not a multiple of 2 when an address error exception handling occurs, the stacked values (PC, CCR, and EXR) are undefined.

When an address error occurs, the following is performed to halt the DTC and DMAC.

- The ERR bit of DTCCR in the DTC is set to 1.
- The ERRF bit of DMDR\_0 in the DMAC is set to 1.
- The DTE bits of DMDRs for all channels in the DMAC are cleared to 0 to forcibly terminate transfer.

Table 4.6 shows the state of CCR and EXR after execution of the address error exception handling.

**Table 4.6 Status of CCR and EXR after Address Error Exception Handling**

Interrupt Control Mode	CCR			EXR
	I	UI	T	I2 to I0
0	1	—	—	—
2	1	—	0	7

[Legend]

- 1: Set to 1
- 0: Cleared to 0
- : Retains the previous value.

## 4.6 Interrupts

### 4.6.1 Interrupt Sources

Interrupt sources are NMI, sleep interrupt, IRQ0 to IRQ11, and on-chip peripheral modules, as shown in table 4.7.

**Table 4.7 Interrupt Sources**

Type	Source	Number of Sources
NMI	NMI pin (external input)	1
Sleep interrupt	SLEEP instruction	1
IRQ0 to IRQ11	Pins $\overline{\text{IRQ0}}$ to $\overline{\text{IRQ11}}$ (external input)	12
On-chip peripheral module	DMA controller (DMAC)	8
	Watchdog timer (WDT)	1
	A/D converter	1
	16-bit timer pulse unit (TPU)	26
	8-bit timer (TMR)	12
	Serial communications interface (SCI)	20

Different vector numbers and vector table offsets are assigned to different interrupt sources. For vector number and vector table offset, see table 5.2, Interrupt Sources, Vector Address Offsets, and Interrupt Priority in section 5, Interrupt Controller.

### 4.6.2 Interrupt Exception Handling

Interrupts are controlled by the interrupt controller. The interrupt controller has two interrupt control modes and can assign interrupts other than NMI or sleep interrupt to eight priority/mask levels to enable multiple-interrupt control. The source to start interrupt exception handling and the vector address differ depending on the product. For details, see section 5, Interrupt Controller.



The interrupt exception handling is as follows:

1. The contents of PC, CCR, and EXR are saved in the stack.
2. The interrupt mask bit is updated and the T bit is cleared to 0.
3. An exception handling vector table address corresponding to the interrupt source is generated, the start address of the exception service routine is loaded from the vector table to PC, and program execution starts from that address.

## 4.7 Instruction Exception Handling

There are two instructions that cause exception handling: trap instruction and illegal instruction.

### 4.7.1 Trap Instruction

Trap instruction exception handling starts when a TRAPA instruction is executed. Trap instruction exception handling can be executed at all times in the program execution state. The trap instruction exception handling is as follows:

1. The contents of PC, CCR, and EXR are saved in the stack.
2. The interrupt mask bit is updated and the T bit is cleared to 0.
3. An exception handling vector table address corresponding to the vector number specified in the TRAPA instruction is generated, the start address of the exception service routine is loaded from the vector table to PC, and program execution starts from that address.

A start address is read from the vector table corresponding to a vector number from 0 to 3, as specified in the instruction code.

Table 4.8 shows the state of CCR and EXR after execution of trap instruction exception handling.

**Table 4.8 Status of CCR and EXR after Trap Instruction Exception Handling**

Interrupt Control Mode	CCR		EXR	
	I	UI	I2 to I0	T
0	1	—	—	—
2	1	—	—	0

[Legend]

- 1: Set to 1
- 0: Cleared to 0
- : Retains the previous value.

### 4.7.2 Exception Handling by Illegal Instruction

The illegal instructions are general illegal instructions and slot illegal instructions. The exception handling by the general illegal instruction starts when an undefined code is executed. The exception handling by the slot illegal instruction starts when a particular instruction (e.g. its code length is two words or more, or it changes the PC contents) at a delay slot (immediately after a delayed branch instruction) is executed. The exception handling by the general illegal instruction and slot illegal instruction is always executable in the program execution state.

The exception handling is as follows:

1. The contents of PC, CCR, and EXR are saved in the stack.
2. The interrupt mask bit is updated and the T bit is cleared to 0.
3. An exception handling vector table address corresponding to the occurred exception is generated, the start address of the exception service routine is loaded from the vector table to PC, and program execution starts from that address.

Table 4.9 shows the state of CCR and EXR after execution of illegal instruction exception handling.

**Table 4.9 Status of CCR and EXR after Illegal Instruction Exception Handling**

Interrupt Control Mode	CCR			EXR
	I	UI	T	I2 to I0
0	1	—	—	—
2	1	—	0	—

[Legend]

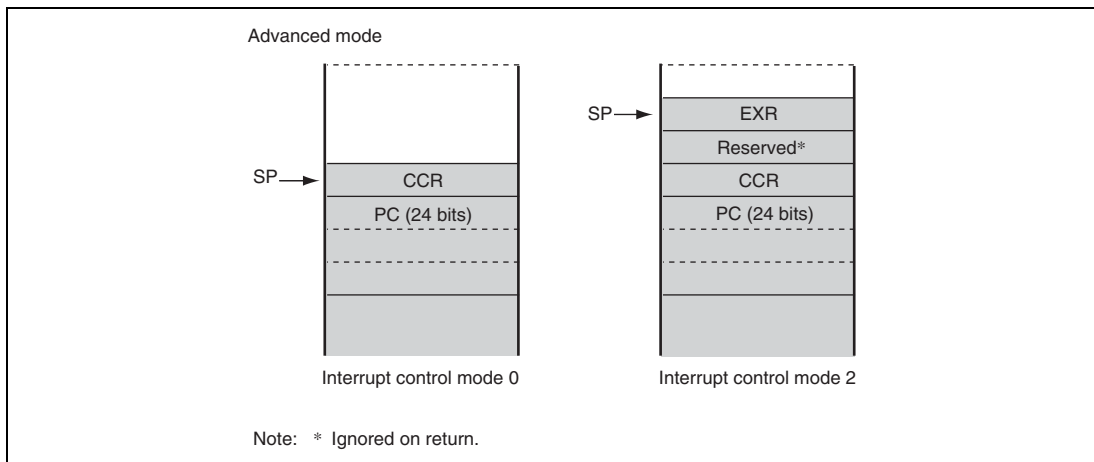
1: Set to 1

0: Cleared to 0

—: Retains the previous value.

## 4.8 Stack Status after Exception Handling

Figure 4.3 shows the stack after completion of exception handling.



**Figure 4.3 Stack Status after Exception Handling**

## 4.9 Usage Note

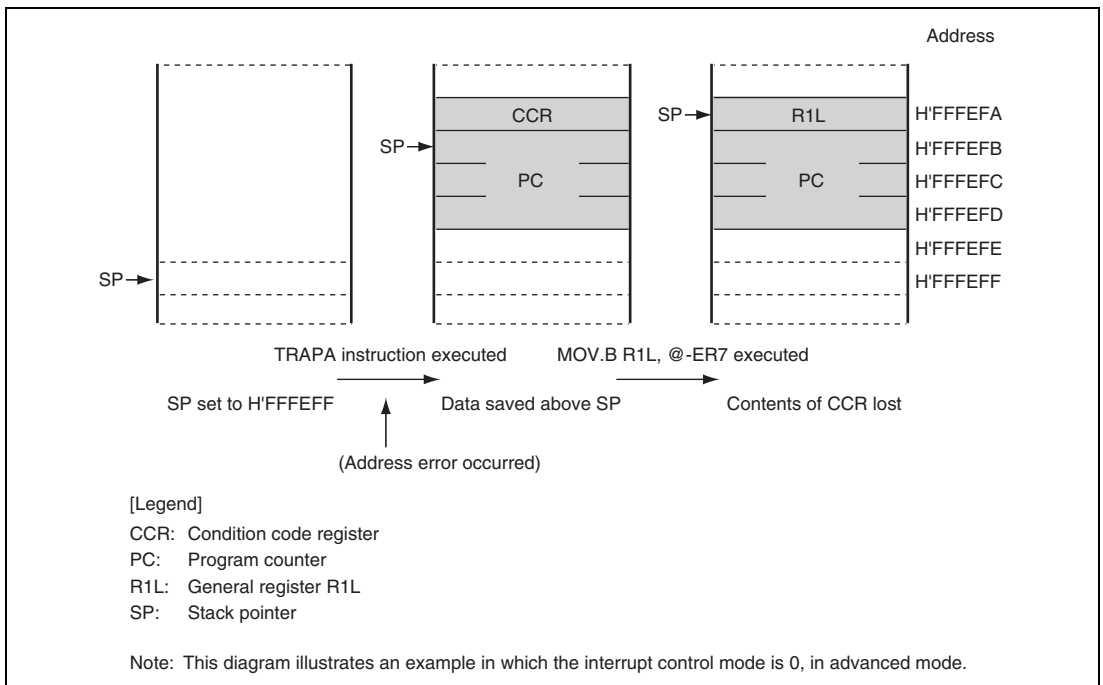
When performing stack-manipulating access, this LSI assumes that the lowest address bit is 0. The stack should always be accessed by a word transfer instruction or a longword transfer instruction, and the value of the stack pointer (SP: ER7) should always be kept even. Use the following instructions to save registers:

- PUSH.W Rn (or MOV.W Rn, @-SP)
- PUSH.L ERn (or MOV.L ERn, @-SP)

Use the following instructions to restore registers:

- POP.W Rn (or MOV.W @SP+, Rn)
- POP.L ERn (or MOV.L @SP+, ERn)

Performing stack manipulation while SP is set to an odd value leads to an address error. Figure 4.4 shows an example of operation when the SP value is odd.



**Figure 4.4 Operation when SP Value is Odd**

## Section 5 Interrupt Controller

### 5.1 Features

- Two interrupt control modes

Any of two interrupt control modes can be set by means of bits INTM1 and INTM0 in the interrupt control register (INTCR).
- Priority can be assigned by the interrupt priority register (IPR)

IPR provides for setting interrupt priority. Eight levels can be set for each module for all interrupts except for the interrupt requests listed below. The following seven interrupt requests are given priority of 8, therefore they are accepted at all times.

  - NMI
  - Illegal instructions
  - Trace
  - Trap instructions
  - CPU address error
  - DMA address error (occurred in the DTC and DMAC)
  - Sleep interrupt
- Independent vector addresses

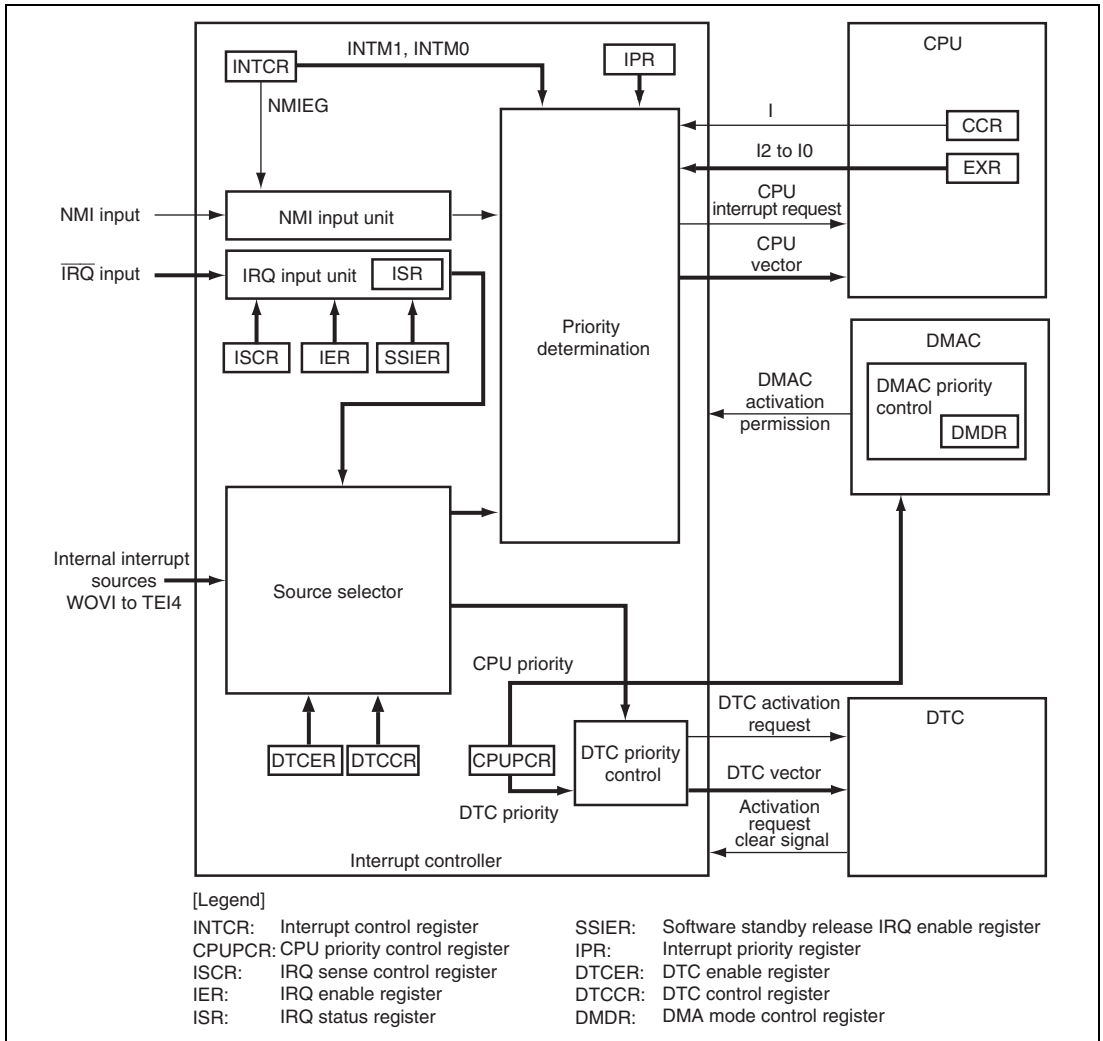
All interrupt sources are assigned independent vector addresses, making it unnecessary for the source to be identified in the interrupt handling routine.
- Thirteen external interrupts

NMI is the highest-priority interrupt, and is accepted at all times. Rising edge or falling edge detection can be selected for NMI. Falling edge, rising edge, or both edge detection, or level sensing, can be selected for IRQ11 to IRQ0.
- DTC and DMAC control

DTC and DMAC can be activated by means of interrupts.
- CPU priority control function

The priority levels can be assigned to the CPU, DTC, and DMAC. The priority level of the CPU can be automatically assigned on an exception generation. Priority can be given to the CPU interrupt exception handling over that of the DTC and DMAC transfer.

A block diagram of the interrupt controller is shown in figure 5.1.



**Figure 5.1 Block Diagram of Interrupt Controller**

## 5.2 Input/Output Pins

Table 5.1 shows the pin configuration of the interrupt controller.

**Table 5.1 Pin Configuration**

Name	I/O	Function
NMI	Input	Nonmaskable External Interrupt Rising or falling edge can be selected.
IRQ11 to IRQ0	Input	Maskable External Interrupts Rising, falling, or both edges, or level sensing, can be selected.

## 5.3 Register Descriptions

The interrupt controller has the following registers.

- Interrupt control register (INTCR)
- CPU priority control register (CPUPCR)
- Interrupt priority registers A to C, E to I, K, and L (IPRA to IPRC, IPRE to IPRI, IPRK, and IPRL)
- IRQ enable register (IER)
- IRQ sense control registers H and L (ISCRH, ISCRL)
- IRQ status register (ISR)
- Software standby release IRQ enable register (SSIER)

### 5.3.1 Interrupt Control Register (INTCR)

INTCR selects the interrupt control mode, and the detected edge for NMI.

Bit	7	6	5	4	3	2	1	0
Bit Name	—	—	INTM1	INTM0	NMIEG	—	—	—
Initial Value	0	0	0	0	0	0	0	0
R/W	R	R	R/W	R/W	R/W	R	R	R

Bit	Bit Name	Initial Value	R/W	Description
7, 6	—	All 0	R	Reserved These are read-only bits and cannot be modified.
5	INTM1	0	R/W	Interrupt Control Select Mode 1 and 0
4	INTM0	0	R/W	These bits select either of two interrupt control modes for the interrupt controller. 00: Interrupt control mode 0 Interrupts are controlled by I bit in CCR. 01: Setting prohibited. 10: Interrupt control mode 2 Interrupts are controlled by bits I2 to I0 in EXR, and IPR. 11: Setting prohibited.
3	NMIEG	0	R/W	NMI Edge Select Selects the input edge for the NMI pin. 0: Interrupt request generated at falling edge of NMI input 1: Interrupt request generated at rising edge of NMI input
2 to 0	—	All 0	R	Reserved These are read-only bits and cannot be modified.



### 5.3.2 CPU Priority Control Register (CPUPCR)

CPUPCR sets whether or not the CPU has priority over the DTC and DMAC. The interrupt exception handling by the CPU can be given priority over that of the DTC or DMAC transfer. The priority level of the DTC is assigned by the bits DTCP2 to DTCP0 in CPUPCR. The priority level of the DMAC is assigned by the control register of DMAC respectively in each channel.

Bit	7	6	5	4	3	2	1	0
Bit Name	CPUPCE	DTCP2	DTCP1	DTCP0	IPSETE	CPUP2	CPUP1	CPUP0
Initial Value	0	0	0	0	0	0	0	0
R/W	R/W	R/W	R/W	R/W	R/W	R/(W)*	R/(W)*	R/(W)*

Note: \* When the IPSETE bit is set to 1, the CPU priority is automatically updated, so these bits cannot be modified.

Bit	Bit Name	Initial Value	R/W	Description
7	CPUPCE	0	R/W	<p>CPU Priority Control Enable</p> <p>Controls the CPU priority control function. Setting this bit to 1 enables the CPU priority control over DTC or DMAC.</p> <p>0: CPU always has the lowest priority</p> <p>1: CPU priority control enabled</p>
6	DTCP2	0	R/W	DTC Priority Level 2 to 0
5	DTCP1	0	R/W	These bits set the DTC priority level.
4	DTCP0	0	R/W	<p>000: Priority level 0 (lowest)</p> <p>001: Priority level 1</p> <p>010: Priority level 2</p> <p>011: Priority level 3</p> <p>100: Priority level 4</p> <p>101: Priority level 5</p> <p>110: Priority level 6</p> <p>111: Priority level 7 (highest)</p>

Bit	Bit Name	Initial Value	R/W	Description
3	IPSETE	0	R/W	<p>Interrupt Priority Set Enable</p> <p>Controls the function which automatically assigns the interrupt priority level of the CPU. Setting this bit to 1 automatically sets bits CPUP2 to CPUP0 by the CPU interrupt mask bit (1 bit in CCR or bits I2 to I0 in EXR).</p> <p>0: Bits CPUP2 to CPUP0 are not updated automatically 1: The interrupt mask bit value is reflected in bits CPUP2 to CPUP0</p>
2	CPUP2	0	R/(W)*	CPU Priority Level 2 to 0
1	CPUP1	0	R/(W)*	<p>These bits set the CPU priority level. When the CPUPCE is set to 1, the CPU priority control function over the DTC and DMAC becomes valid and the priority of CPU processing is assigned in accordance with the settings of bits CPUP2 to CPUP0.</p> <p>000: Priority level 0 (lowest) 001: Priority level 1 010: Priority level 2 011: Priority level 3 100: Priority level 4 101: Priority level 5 110: Priority level 6 111: Priority level 7 (highest)</p>
0	CPUP0	0	R/(W)*	

Note: \* When the IPSETE bit is set to 1, the CPU priority is automatically updated, so these bits cannot be modified.

### 5.3.3 Interrupt Priority Registers A to C, E to I, K, and L (IPRA to IPRC, IPRE to IPRI, IPRK, and IPRL)

IPR sets priority (levels 7 to 0) for interrupts other than NMI and sleep interrupt.

Setting a value in the range from B'000 to B'111 in the 3-bit groups of bits 14 to 12, 10 to 8, 6 to 4, and 2 to 0 assigns a priority level to the corresponding interrupt. For the correspondence between the interrupt sources and the IPR settings, see table 5.2.

Bit	15	14	13	12	11	10	9	8
Bit Name	—	IPR14	IPR13	IPR12	—	IPR10	IPR9	IPR8
Initial Value	0	1	1	1	0	1	1	1
R/W	R	R/W	R/W	R/W	R	R/W	R/W	R/W
Bit	7	6	5	4	3	2	1	0
Bit Name	—	IPR6	IPR5	IPR4	—	IPR2	IPR1	IPR0
Initial Value	0	1	1	1	0	1	1	1
R/W	R	R/W	R/W	R/W	R	R/W	R/W	R/W

Bit	Bit Name	Initial Value	R/W	Description
15	—	0	R	Reserved This is a read-only bit and cannot be modified.
14	IPR14	1	R/W	Sets the priority level of the corresponding interrupt source.
13	IPR13	1	R/W	
12	IPR12	1	R/W	000: Priority level 0 (lowest) 001: Priority level 1 010: Priority level 2 011: Priority level 3 100: Priority level 4 101: Priority level 5 110: Priority level 6 111: Priority level 7 (highest)
11	—	0	R	Reserved This is a read-only bit and cannot be modified.

Bit	Bit Name	Initial Value	R/W	Description
10	IPR10	1	R/W	Sets the priority level of the corresponding interrupt source.
9	IPR9	1	R/W	
8	IPR8	1	R/W	000: Priority level 0 (lowest) 001: Priority level 1 010: Priority level 2 011: Priority level 3 100: Priority level 4 101: Priority level 5 110: Priority level 6 111: Priority level 7 (highest)
7	—	0	R	Reserved This is a read-only bit and cannot be modified.
6	IPR6	1	R/W	Sets the priority level of the corresponding interrupt source.
5	IPR5	1	R/W	
4	IPR4	1	R/W	000: Priority level 0 (lowest) 001: Priority level 1 010: Priority level 2 011: Priority level 3 100: Priority level 4 101: Priority level 5 110: Priority level 6 111: Priority level 7 (highest)
3	—	0	R	Reserved This is a read-only bit and cannot be modified.

Bit	Bit Name	Initial Value	R/W	Description
2	IPR2	1	R/W	Sets the priority level of the corresponding interrupt source.
1	IPR1	1	R/W	
0	IPR0	1	R/W	
				000: Priority level 0 (lowest)
				001: Priority level 1
				010: Priority level 2
				011: Priority level 3
				100: Priority level 4
				101: Priority level 5
				110: Priority level 6
				111: Priority level 7 (highest)

### 5.3.4 IRQ Enable Register (IER)

IER enables or disables interrupt requests IRQ11 to IRQ0.

Bit	15	14	13	12	11	10	9	8
Bit Name	—	—	—	—	IRQ11E	IRQ10E	IRQ9E	IRQ8E
Initial Value	0	0	0	0	0	0	0	0
R/W	R/W	R/W	R/W	R/W	R/W	R/W	R/W	R/W
Bit	7	6	5	4	3	2	1	0
Bit Name	IRQ7E	IRQ6E	IRQ5E	IRQ4E	IRQ3E	IRQ2E	IRQ1E	IRQ0E
Initial Value	0	0	0	0	0	0	0	0
R/W	R/W	R/W	R/W	R/W	R/W	R/W	R/W	R/W

Bit	Bit Name	Initial Value	R/W	Description
15 to 12	—	All 0	R/W	Reserved
				These bits are always read as 0. The write value should always be 0.
11	IRQ11E	0	R/W	IRQ11 Enable
				The IRQ11 interrupt request is enabled when this bit is 1.

Bit	Bit Name	Initial Value	R/W	Description
10	IRQ10E	0	R/W	IRQ10 Enable The IRQ10 interrupt request is enabled when this bit is 1.
9	IRQ9E	0	R/W	IRQ9 Enable The IRQ9 interrupt request is enabled when this bit is 1.
8	IRQ8E	0	R/W	IRQ8 Enable The IRQ8 interrupt request is enabled when this bit is 1.
7	IRQ7E	0	R/W	IRQ7 Enable The IRQ7 interrupt request is enabled when this bit is 1.
6	IRQ6E	0	R/W	IRQ6 Enable The IRQ6 interrupt request is enabled when this bit is 1.
5	IRQ5E	0	R/W	IRQ5 Enable The IRQ5 interrupt request is enabled when this bit is 1.
4	IRQ4E	0	R/W	IRQ4 Enable The IRQ4 interrupt request is enabled when this bit is 1.
3	IRQ3E	0	R/W	IRQ3 Enable The IRQ3 interrupt request is enabled when this bit is 1.
2	IRQ2E	0	R/W	IRQ2 Enable The IRQ2 interrupt request is enabled when this bit is 1.
1	IRQ1E	0	R/W	IRQ1 Enable The IRQ1 interrupt request is enabled when this bit is 1.
0	IRQ0E	0	R/W	IRQ0 Enable The IRQ0 interrupt request is enabled when this bit is 1.

### 5.3.5 IRQ Sense Control Registers H and L (ISCRH, ISCR L)

ISCRH and ISCR L select the source that generates an interrupt request on pins  $\overline{\text{IRQ11}}$  to  $\overline{\text{IRQ0}}$ .

Upon changing the setting of ISCR,  $\text{IRQnF}$  ( $n = 0$  to  $11$ ) in ISR is often set to 1 accidentally through an internal operation. In this case, an interrupt exception handling is executed if an  $\text{IRQn}$  interrupt request is enabled. In order to prevent such an accidental interrupt from occurring, the setting of ISCR should be changed while the  $\text{IRQn}$  interrupt is disabled, and then the  $\text{IRQnF}$  in ISR should be cleared to 0.

#### • ISCRH

Bit	15	14	13	12	11	10	9	8
Bit Name	—	—	—	—	—	—	—	—
Initial Value	0	0	0	0	0	0	0	0
R/W	R/W	R/W	R/W	R/W	R/W	R/W	R/W	R/W
Bit	7	6	5	4	3	2	1	0
Bit Name	IRQ11SR	IRQ11SF	IRQ10SR	IRQ10SF	IRQ9SR	IRQ9SF	IRQ8SR	IRQ8SF
Initial Value	0	0	0	0	0	0	0	0
R/W	R/W	R/W	R/W	R/W	R/W	R/W	R/W	R/W

#### • ISCR L

Bit	15	14	13	12	11	10	9	8
Bit Name	IRQ7SR	IRQ7SF	IRQ6SR	IRQ6SF	IRQ5SR	IRQ5SF	IRQ4SR	IRQ4SF
Initial Value	0	0	0	0	0	0	0	0
R/W	R/W	R/W	R/W	R/W	R/W	R/W	R/W	R/W
Bit	7	6	5	4	3	2	1	0
Bit Name	IRQ3SR	IRQ3SF	IRQ2SR	IRQ2SF	IRQ1SR	IRQ1SF	IRQ0SR	IRQ0SF
Initial Value	0	0	0	0	0	0	0	0
R/W	R/W	R/W	R/W	R/W	R/W	R/W	R/W	R/W

- ISCRH

Bit	Bit Name	Initial Value	R/W	Description
15 to 8	—	All 0	R/W	Reserved These bits are always read as 0. The write value should always be 0.
7	IRQ11SR	0	R/W	IRQ11 Sense Control Rise
6	IRQ11SF	0	R/W	IRQ11 Sense Control Fall 00: Interrupt request generated by low level of $\overline{\text{IRQ11}}$ 01: Interrupt request generated at falling edge of $\overline{\text{IRQ11}}$ 10: Interrupt request generated at rising edge of $\overline{\text{IRQ11}}$ 11: Interrupt request generated at both falling and rising edges of $\overline{\text{IRQ11}}$
5	IRQ10SR	0	R/W	IRQ10 Sense Control Rise
4	IRQ10SF	0	R/W	IRQ10 Sense Control Fall 00: Interrupt request generated by low level of $\overline{\text{IRQ10}}$ 01: Interrupt request generated at falling edge of $\overline{\text{IRQ10}}$ 10: Interrupt request generated at rising edge of $\overline{\text{IRQ10}}$ 11: Interrupt request generated at both falling and rising edges of $\overline{\text{IRQ10}}$
3	IRQ9SR	0	R/W	IRQ9 Sense Control Rise
2	IRQ9SF	0	R/W	IRQ9 Sense Control Fall 00: Interrupt request generated by low level of $\overline{\text{IRQ9}}$ 01: Interrupt request generated at falling edge of $\overline{\text{IRQ9}}$ 10: Interrupt request generated at rising edge of $\overline{\text{IRQ9}}$ 11: Interrupt request generated at both falling and rising edges of $\overline{\text{IRQ9}}$
1	IRQ8SR	0	R/W	IRQ8 Sense Control Rise
0	IRQ8SF	0	R/W	IRQ8 Sense Control Fall 00: Interrupt request generated by low level of $\overline{\text{IRQ8}}$ 01: Interrupt request generated at falling edge of $\overline{\text{IRQ8}}$ 10: Interrupt request generated at rising edge of $\overline{\text{IRQ8}}$ 11: Interrupt request generated at both falling and rising edges of $\overline{\text{IRQ8}}$



- ISCRL

Bit	Bit Name	Initial Value	R/W	Description
15	IRQ7SR	0	R/W	IRQ7 Sense Control Rise
14	IRQ7SF	0	R/W	IRQ7 Sense Control Fall 00: Interrupt request generated by low level of $\overline{\text{IRQ7}}$ 01: Interrupt request generated at falling edge of $\overline{\text{IRQ7}}$ 10: Interrupt request generated at rising edge of $\overline{\text{IRQ7}}$ 11: Interrupt request generated at both falling and rising edges of $\overline{\text{IRQ7}}$
13	IRQ6SR	0	R/W	IRQ6 Sense Control Rise
12	IRQ6SF	0	R/W	IRQ6 Sense Control Fall 00: Interrupt request generated by low level of $\overline{\text{IRQ6}}$ 01: Interrupt request generated at falling edge of $\overline{\text{IRQ6}}$ 10: Interrupt request generated at rising edge of $\overline{\text{IRQ6}}$ 11: Interrupt request generated at both falling and rising edges of $\overline{\text{IRQ6}}$
11	IRQ5SR	0	R/W	IRQ5 Sense Control Rise
10	IRQ5SF	0	R/W	IRQ5 Sense Control Fall 00: Interrupt request generated by low level of $\overline{\text{IRQ5}}$ 01: Interrupt request generated at falling edge of $\overline{\text{IRQ5}}$ 10: Interrupt request generated at rising edge of $\overline{\text{IRQ5}}$ 11: Interrupt request generated at both falling and rising edges of $\overline{\text{IRQ5}}$
9	IRQ4SR	0	R/W	IRQ4 Sense Control Rise
8	IRQ4SF	0	R/W	IRQ4 Sense Control Fall 00: Interrupt request generated by low level of $\overline{\text{IRQ4}}$ 01: Interrupt request generated at falling edge of $\overline{\text{IRQ4}}$ 10: Interrupt request generated at rising edge of $\overline{\text{IRQ4}}$ 11: Interrupt request generated at both falling and rising edges of $\overline{\text{IRQ4}}$

Bit	Bit Name	Initial Value	R/W	Description
7	IRQ3SR	0	R/W	IRQ3 Sense Control Rise
6	IRQ3SF	0	R/W	IRQ3 Sense Control Fall 00: Interrupt request generated by low level of $\overline{\text{IRQ3}}$ 01: Interrupt request generated at falling edge of $\overline{\text{IRQ3}}$ 10: Interrupt request generated at rising edge of $\overline{\text{IRQ3}}$ 11: Interrupt request generated at both falling and rising edges of $\overline{\text{IRQ3}}$
5	IRQ2SR	0	R/W	IRQ2 Sense Control Rise
4	IRQ2SF	0	R/W	IRQ2 Sense Control Fall 00: Interrupt request generated by low level of $\overline{\text{IRQ2}}$ 01: Interrupt request generated at falling edge of $\overline{\text{IRQ2}}$ 10: Interrupt request generated at rising edge of $\overline{\text{IRQ2}}$ 11: Interrupt request generated at both falling and rising edges of $\overline{\text{IRQ2}}$
3	IRQ1SR	0	R/W	IRQ1 Sense Control Rise
2	IRQ1SF	0	R/W	IRQ1 Sense Control Fall 00: Interrupt request generated by low level of $\overline{\text{IRQ1}}$ 01: Interrupt request generated at falling edge of $\overline{\text{IRQ1}}$ 10: Interrupt request generated at rising edge of $\overline{\text{IRQ1}}$ 11: Interrupt request generated at both falling and rising edges of $\overline{\text{IRQ1}}$
1	IRQ0SR	0	R/W	IRQ0 Sense Control Rise
0	IRQ0SF	0	R/W	IRQ0 Sense Control Fall 00: Interrupt request generated by low level of $\overline{\text{IRQ0}}$ 01: Interrupt request generated at falling edge of $\overline{\text{IRQ0}}$ 10: Interrupt request generated at rising edge of $\overline{\text{IRQ0}}$ 11: Interrupt request generated at both falling and rising edges of $\overline{\text{IRQ0}}$

### 5.3.6 IRQ Status Register (ISR)

ISR is an IRQ11 to IRQ0 interrupt request register.

Bit	15	14	13	12	11	10	9	8
Bit Name	—	—	—	—	IRQ11F	IRQ10F	IRQ9F	IRQ8F
Initial Value	0	0	0	0	0	0	0	0
R/W	R/W	R/W	R/W	R/W	R/(W)*	R/(W)*	R/(W)*	R/(W)*
Bit	7	6	5	4	3	2	1	0
Bit Name	IRQ7F	IRQ6F	IRQ5F	IRQ4F	IRQ3F	IRQ2F	IRQ1F	IRQ0F
Initial Value	0	0	0	0	0	0	0	0
R/W	R/(W)*	R/(W)*	R/(W)*	R/(W)*	R/(W)*	R/(W)*	R/(W)*	R/(W)*

Note: \* Only 0 can be written, to clear the flag. The bit manipulation instructions or memory operation instructions should be used to clear the flag.

Bit	Bit Name	Initial Value	R/W	Description
15 to 12	—	All 0	R/W	Reserved These bits are always read as 0. The write value should always be 0.
11	IRQ11F	0	R/(W)*	[Setting condition]
10	IRQ10F	0	R/(W)*	• When the interrupt selected by ISCR occurs
9	IRQ9F	0	R/(W)*	[Clearing conditions]
8	IRQ8F	0	R/(W)*	• Writing 0 after reading IRQnF = 1
7	IRQ7F	0	R/(W)*	• When interrupt exception handling is executed when low-level sensing is selected and $\overline{\text{IRQn}}$ input is high
6	IRQ6F	0	R/(W)*	• When IRQn interrupt exception handling is executed when falling-, rising-, or both-edge sensing is selected
5	IRQ5F	0	R/(W)*	• When the DTC is activated by an IRQn interrupt, and the DISEL bit in MRB of the DTC is cleared to 0
4	IRQ4F	0	R/(W)*	
3	IRQ3F	0	R/(W)*	
2	IRQ2F	0	R/(W)*	
1	IRQ1F	0	R/(W)*	
0	IRQ0F	0	R/(W)*	

Note: \* Only 0 can be written, to clear the flag.

### 5.3.7 Software Standby Release IRQ Enable Register (SSIER)

SSIER selects pins used to leave software standby mode from pins  $\overline{\text{IRQ}}_{11}$  to  $\overline{\text{IRQ}}_0$ .

The IRQ interrupt used to leave software standby mode should not be set as the DTC activation source.

Bit	15	14	13	12	11	10	9	8
Bit Name	—	—	—	—	SSI11	SSI10	SSI9	SSI8
Initial Value	0	0	0	0	0	0	0	0
R/W	R/W	R/W	R/W	R/W	R/W	R/W	R/W	R/W
Bit	7	6	5	4	3	2	1	0
Bit Name	SSI7	SSI6	SSI5	SSI4	SSI3	SSI2	SSI1	SSI0
Initial Value	0	0	0	0	0	0	0	0
R/W	R/W	R/W	R/W	R/W	R/W	R/W	R/W	R/W

Bit	Bit Name	Initial Value	R/W	Description
15 to 12	—	All 0	R/W	Reserved These bits are always read as 0. The write value should always be 0.
11	SSI11	0	R/W	Software Standby Release IRQ Setting
10	SSI10	0	R/W	These bits select the $\overline{\text{IRQ}}_n$ pins used to leave software standby mode ( $n = 11$ to $0$ ).
9	SSI9	0	R/W	
8	SSI8	0	R/W	0: IRQ <sub>n</sub> requests are not sampled in software standby mode
7	SSI7	0	R/W	1: When an IRQ <sub>n</sub> request occurs in software standby mode, this LSI leaves software standby mode after the oscillation settling time has elapsed
6	SSI6	0	R/W	
5	SSI5	0	R/W	
4	SSI4	0	R/W	
3	SSI3	0	R/W	
2	SSI2	0	R/W	
1	SSI1	0	R/W	
0	SSI0	0	R/W	

## 5.4 Interrupt Sources

### 5.4.1 External Interrupts

There are thirteen external interrupts: NMI and IRQ11 to IRQ0. These interrupts can be used to leave software standby mode.

#### (1) NMI Interrupts

Nonmaskable interrupt request (NMI) is the highest-priority interrupt, and is always accepted by the CPU regardless of the interrupt control mode or the settings of the CPU interrupt mask bits. The NMIEG bit in INTCR selects whether an interrupt is requested at the rising or falling edge on the NMI pin.

When an NMI interrupt is generated, the interrupt controller determines that an error has occurred, and performs the following procedure.

- Sets the ERR bit in DTCCR to 1.
- Sets the ERRF bit of DMDR\_0 in DMAC to 1.
- The DTE bits of all channels in DMAC are cleared to 0, and transfer is terminated.

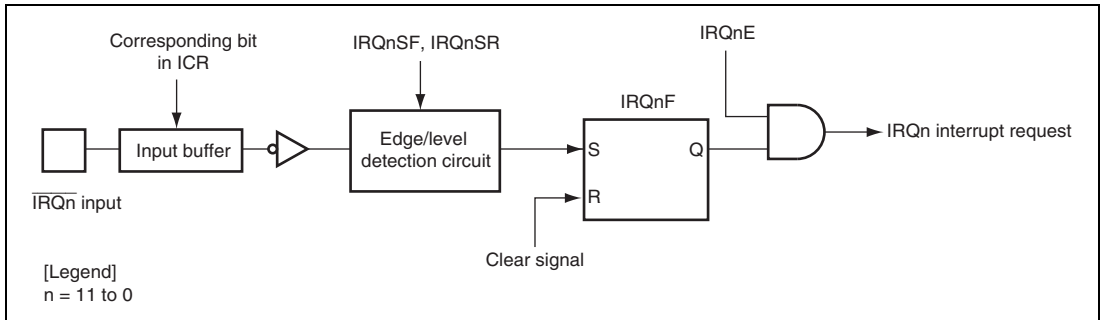
#### (2) IRQn Interrupts

An IRQn interrupt is requested by a signal input on pins  $\overline{\text{IRQn}}$  (n = 11 to 0). IRQn interrupts have the following features:

- Using ISCR, it is possible to select whether an interrupt is generated by a low level, falling edge, rising edge, or both edges, on pins  $\overline{\text{IRQn}}$ .
- Enabling or disabling of interrupt requests IRQn can be selected by IER.
- The interrupt priority can be set by IPR.
- The status of interrupt requests IRQn is indicated in ISR. ISR flags can be cleared to 0 by software. The bit manipulation instructions and memory operation instructions should be used to clear the flag.

Detection of IRQn interrupts is enabled through the P1ICR, P2ICR, and P5ICR register settings, and does not change regardless of the output setting. However, when a pin is used as an external interrupt input pin, the pin must not be used as an I/O pin for another function by clearing the corresponding DDR bit to 0.

A block diagram of interrupts  $IRQ_n$  is shown in figure 5.2.



**Figure 5.2 Block Diagram of Interrupts  $IRQ_n$**

When the  $IRQ$  sensing control in  $ISCR$  is set to a low level of signal  $\overline{IRQ_n}$ , the level of  $\overline{IRQ_n}$  should be held low until an interrupt handling starts. Then set the corresponding input signal  $\overline{IRQ_n}$  to high in the interrupt handling routine and clear the  $IRQ_nF$  to 0. Interrupts may not be executed when the corresponding input signal  $\overline{IRQ_n}$  is set to high before the interrupt handling begins.

### 5.4.2 Internal Interrupts

The sources for internal interrupts from on-chip peripheral modules have the following features:

- For each on-chip peripheral module there are flags that indicate the interrupt request status, and enable bits that enable or disable these interrupts. They can be controlled independently. When the enable bit is set to 1, an interrupt request is issued to the interrupt controller.
- The interrupt priority can be set by means of  $IPR$ .
- The  $DTC$  and  $DMAC$  can be activated by a  $TPU$ ,  $SCI$ , or other interrupt request.
- $DTC$  and  $DMAC$  activation can be controlled by the CPU priority control function over  $DTC$  and  $DMAC$ .

### 5.4.3 Sleep Interrupt

A sleep interrupt is generated by executing a  $SLEEP$  instruction. The sleep interrupt is non-maskable, and is always accepted regardless of the interrupt control mode or the settings of the CPU interrupt mask bits. The  $SLPIE$  bit in  $SBYCR$  selects whether the sleep interrupt function is enabled or not.

## 5.5 Interrupt Exception Handling Vector Table

Table 5.2 lists interrupt exception handling sources, vector address offsets, and interrupt priority.

In the default priority order, a lower vector number corresponds to a higher priority. When interrupt control mode 2 is set, priority levels can be changed by setting the IPR contents. The priority for interrupt sources allocated to the same level in IPR follows the default priority, that is, they are fixed.

**Table 5.2 Interrupt Sources, Vector Address Offsets, and Interrupt Priority**

Classifi- cation	Interrupt Source	Vector Number	Vector Address Offset*		Priority	DTC Acti- vation	DMAC Acti- vation
			Advanced Mode	IPR			
External pin	NMI	7	H'001C	—	High	—	—
SLEEP instruc- tion	Sleep interrupt	18	H'0048	—	↑ Priority ↓	—	—
External pin	IRQ0	64	H'0100	IPRA14 to IPRA12		Enabled	—
	IRQ1	65	H'0104	IPRA10 to IPRA8		Enabled	—
	IRQ2	66	H'0108	IPRA6 to IPRA4		Enabled	—
	IRQ3	67	H'010C	IPRA2 to IPRA0		Enabled	—
	IRQ4	68	H'0110	IPRB14 to IPRB12		Enabled	—
	IRQ5	69	H'0114	IPRB10 to IPRB8		Enabled	—
	IRQ6	70	H'0118	IPRB6 to IPRB4		Enabled	—
	IRQ7	71	H'011C	IPRB2 to IPRB0		Enabled	—
	IRQ8	72	H'0120	IPRC14 to IPRC12		Enabled	—
	IRQ9	73	H'0124	IPRC10 to IPRC8		Enabled	—
	IRQ10	74	H'0128	IPRC6 to IPRC4		Enabled	—
IRQ11	75	H'012C	IPRC2 to IPRC0	Enabled	—	Low	

Classification	Interrupt Source	Vector Number	Vector Address Offset*		Priority	DTC Activation	DMAC Activation
			Advanced Mode	IPR			
—	Reserved for system use	76	H'0130	—	High	—	—
		77	H'0134			—	—
		78	H'0138			—	—
		79	H'013C			—	—
		80	H'0140			—	—
WDT	WOVI	81	H'0144	IPRE10 to IPRE8		—	—
—	Reserved for system use	82	H'0148	—		—	—
		83	H'014C			—	—
		84	H'015C			—	—
		85	H'0154			—	—
A/D	ADI	86	H'0158	IPRF10 to IPRF8		Enabled	Enabled
—	Reserved for system use	87	H'015C	—		—	—
TPU_0	TGI0A	88	H'0160	IPRF6 to IPRF4		Enabled	Enabled
	TGI0B	89	H'0164			Enabled	—
	TGI0C	90	H'0168			Enabled	—
	TGI0D	91	H'016C			Enabled	—
	TCI0V	92	H'0170			—	—
TPU_1	TGI1A	93	H'0174	IPRF2 to IPRF0		Enabled	Enabled
	TGI1B	94	H'0178			Enabled	—
	TCI1V	95	H'017C			—	—
	TCI1U	96	H'0180			—	—
TPU_2	TGI2A	97	H'0184	IPRG14 to IPRG12		Enabled	Enabled
	TGI2B	98	H'0188			Enabled	—
	TCI2V	99	H'018C			—	—
	TCI2U	100	H'0190		Low	—	—



Classifi- cation	Interrupt Source	Vector Number	Vector Address Offset*	IPR	Priority	DTC Acti- vation	DMAC Acti- vation
			Advanced Mode				
TPU_3	TGI3A	101	H'0194	IPRG10 to IPRG8	High	Enabled	Enabled
	TGI3B	102	H'0198			Enabled	—
	TGI3C	103	H'019C			Enabled	—
	TGI3D	104	H'01A0			Enabled	—
	TCI3V	105	H'01A4			—	—
TPU_4	TGI4A	106	H'01A8	IPRG6 to IPRG4		Enabled	Enabled
	TGI4B	107	H'01AC			Enabled	—
	TCI4V	108	H'01B0			—	—
	TCI4U	109	H'01B4			—	—
TPU_5	TGI5A	110	H'01B8	IPRG2 to IPRG0		Enabled	Enabled
	TGI5B	111	H'01BC			Enabled	—
	TCI5V	112	H'01C0			—	—
	TCI5U	113	H'01C4			—	—
—	Reserved for system use	114	H'01C8	—		—	—
		115	H'01CC			—	—
TMR_0	CMIOA	116	H'01D0	IPRH14 to IPRH12		Enabled	—
	CMIOB	117	H'01D4			Enabled	—
	OV0I	118	H'01D8			—	—
TMR_1	CMI1A	119	H'01DC	IPRH10 to IPRH8		Enabled	—
	CMI1B	120	H'01E0			Enabled	—
	OV1I	121	H'01E4			—	—
TMR_2	CMI2A	122	H'01E8	IPRH6 to IPRH4		Enabled	—
	CMI2B	123	H'01EC			Enabled	—
	OV2I	124	H'01F0			—	—
TMR_3	CMI3A	125	H'01F4	IPRH2 to IPRH0		Enabled	—
	CMI3B	126	H'01F8			Enabled	—
	OV3I	127	H'01FC			—	—

Classifi- cation	Interrupt Source	Vector Number	Vector Address Offset*		Priority	DTC Acti- vation	DMAC Acti- vation
			Advanced Mode	IPR			
DMAC	DMTEND0	128	H'0200	IPRI14 to IPRI12	High ↑	Enabled	—
	DMTEND1	129	H'0204	IPRI10 to IPRI18		Enabled	—
	DMTEND2	130	H'0208	IPRI16 to IPRI14		Enabled	—
	DMTEND3	131	H'020C	IPRI12 to IPRI10		Enabled	—
—	Reserved for system use	132	H'0210	—	—	—	
		133	H'0214	—	—	—	
		134	H'0218	—	—	—	
		135	H'021C	—	—	—	
DMAC	DMEEND0	136	H'0220	IPRK14 to IPRK12		Enabled	—
	DMEEND1	137	H'0224	—		Enabled	—
	DMEEND2	138	H'0228	—		Enabled	—
	DMEEND3	139	H'022C	—		Enabled	—
—	Reserved for system use	140	H'0230	—	—	—	
		141	H'0234	—	—	—	
		142	H'0238	—	—	—	
		143	H'023C	—	—	—	
SCI_0	ERI0	144	H'0240	IPRK6 to IPRK4		—	—
	RXIO	145	H'0244	—		Enabled	Enabled
	TXIO	146	H'0248	—		Enabled	Enabled
	TEI0	147	H'024C	—		—	—
SCI_1	ERI1	148	H'0250	IPRK2 to IPRK0		—	—
	RX11	149	H'0254	—		Enabled	Enabled
	TX11	150	H'0258	—		Enabled	Enabled
	TEI1	151	H'025C	—		Low	—

Classifi- cation	Interrupt Source	Vector Number	Vector Address Offset*	IPR	Priority	DTC Acti- vation	DMAC Acti- vation
			Advanced Mode				
SCI_2	ERI2	152	H'0260	IPRL14 to IPRL12	High	—	—
	RXI2	153	H'0264			Enabled	Enabled
	TXI2	154	H'0268			Enabled	Enabled
	TEI2	155	H'026C			—	—
SCI_3	ERI3	156	H'0270	IPRL10 to IPRL8	↑	—	—
	RXI3	157	H'0274			Enabled	Enabled
	TXI3	158	H'0278			Enabled	Enabled
	TEI3	159	H'027C			—	—
SCI_4	ERI4	160	H'0280	IPRL6 to IPRL4	↑	—	—
	RXI4	161	H'0284			Enabled	Enabled
	TXI4	162	H'0288			Enabled	Enabled
	TEI4	163	H'028C			—	—
—	Reserved for system use	164	H'0290	—	↑	—	—
		255	H'03FC	Low		—	—

Note: \* Lower 16 bits of the start address.

## 5.6 Interrupt Control Modes and Interrupt Operation

The interrupt controller has two interrupt control modes: interrupt control mode 0 and interrupt control mode 2. Interrupt operations differ depending on the interrupt control mode. The interrupt control mode is selected by INTCR. Table 5.3 shows the differences between interrupt control mode 0 and interrupt control mode 2.

**Table 5.3 Interrupt Control Modes**

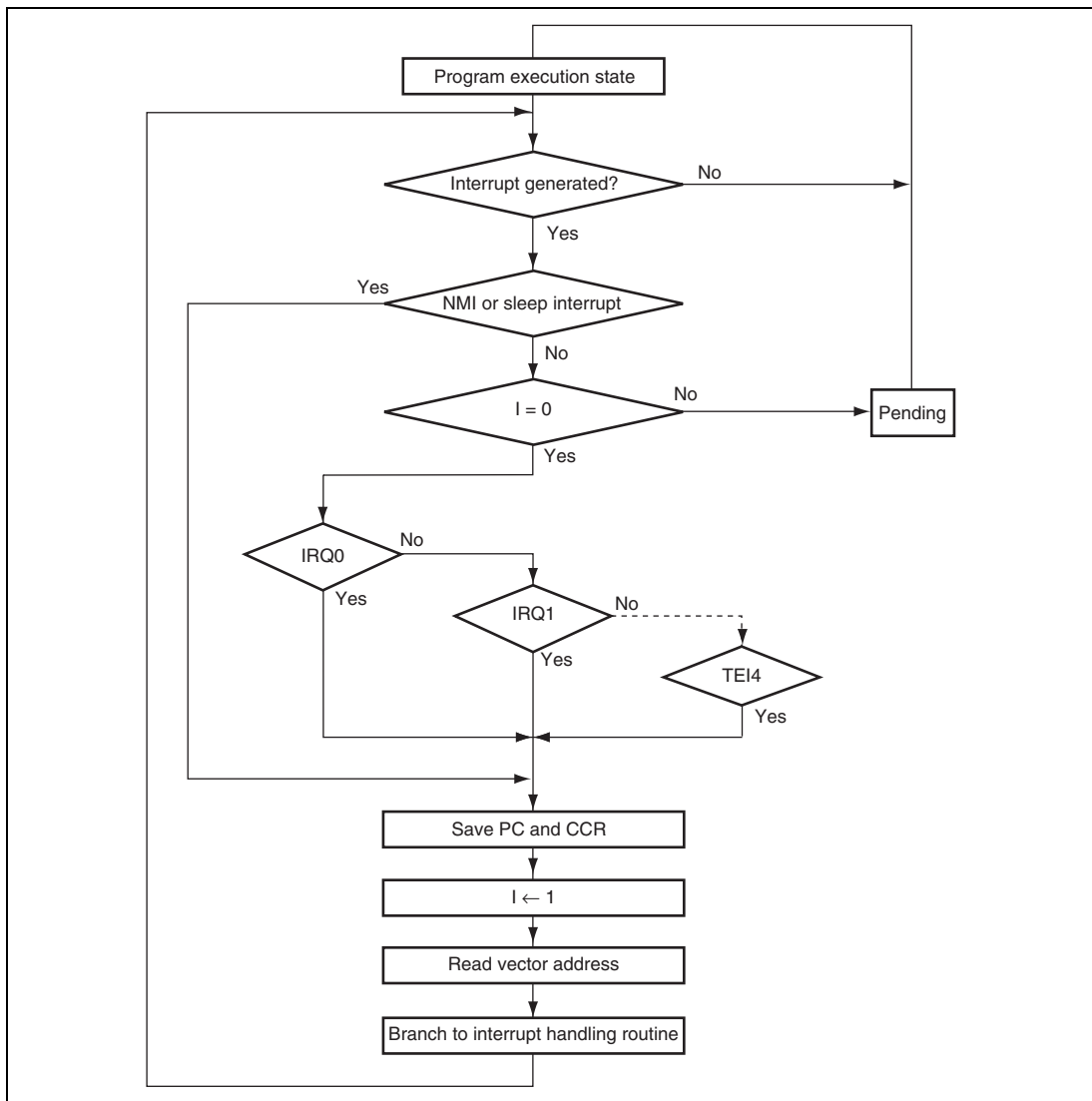
Interrupt Control Mode	Priority Setting Register	Interrupt Mask Bit	Description
0	Default	I	The priority levels of the interrupt sources are fixed default settings. The interrupts except for NMI and sleep interrupt is masked by the I bit.
2	IPR	I2 to I0	Eight priority levels can be set for interrupt sources except for NMI and sleep interrupt with IPR. 8-level interrupt mask control is performed by bits I2 to I0.

### 5.6.1 Interrupt Control Mode 0

In interrupt control mode 0, interrupt requests except for NMI and sleep interrupt are masked by the I bit in CCR of the CPU. Figure 5.3 shows a flowchart of the interrupt acceptance operation in this case.

1. If an interrupt request occurs when the corresponding interrupt enable bit is set to 1, the interrupt request is sent to the interrupt controller.
2. If the I bit in CCR is set to 1, NMI and sleep interrupt is accepted, and other interrupt requests are held pending. If the I bit is cleared to 0, an interrupt request is accepted.
3. For multiple interrupt requests, the interrupt controller selects the interrupt request with the highest priority, sends the request to the CPU, and holds other interrupt requests pending.
4. When the CPU accepts the interrupt request, it starts interrupt exception handling after execution of the current instruction has been completed.
5. The PC and CCR contents are saved to the stack area during the interrupt exception handling. The PC contents saved on the stack are the address of the first instruction to be executed after returning from the interrupt handling routine.
6. Next, the I bit in CCR is set to 1. This masks all interrupts except NMI and sleep interrupt.

7. The CPU generates a vector address for the accepted interrupt and starts execution of the interrupt handling routine at the address indicated by the contents of the vector address in the vector table.

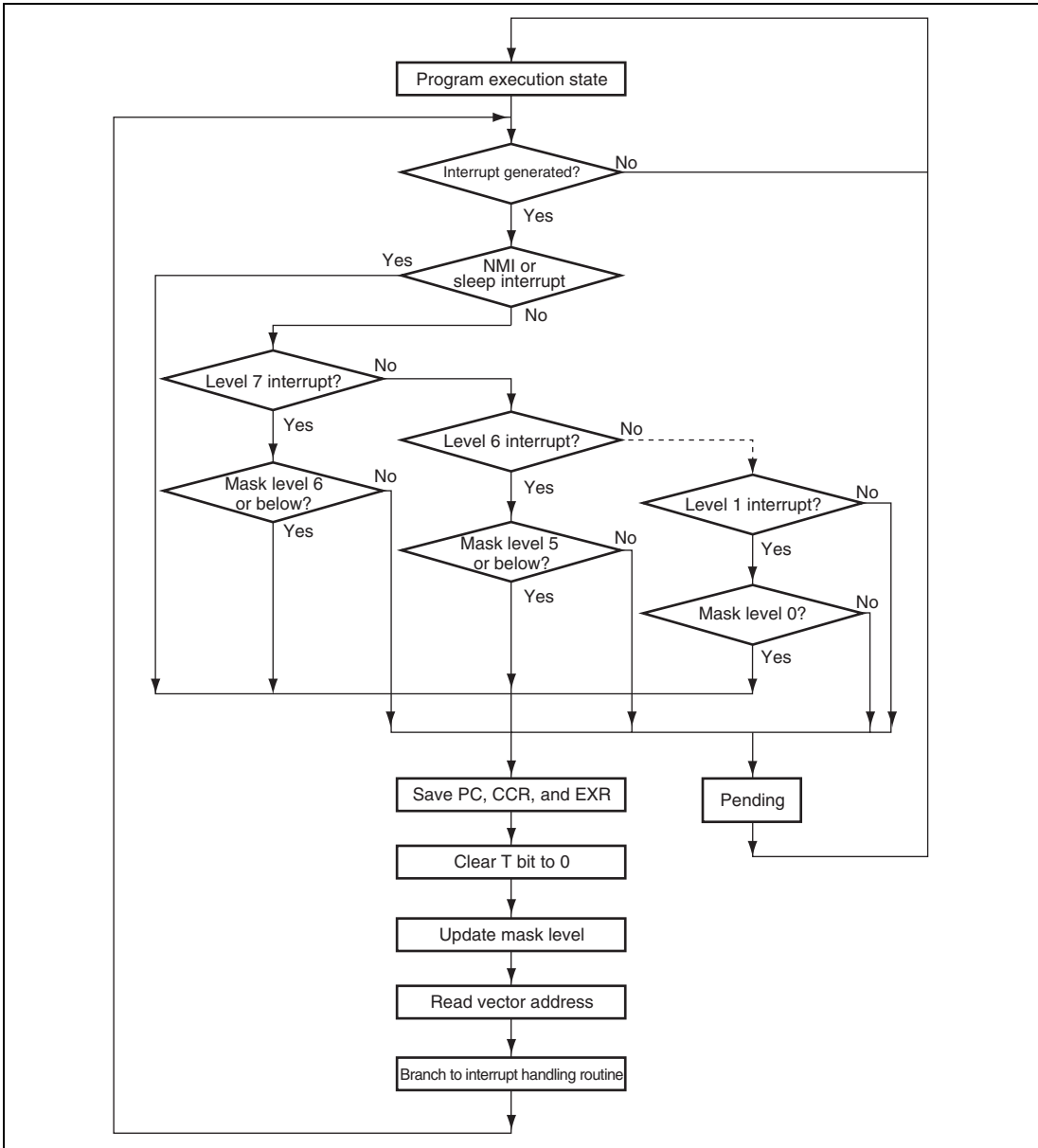


**Figure 5.3 Flowchart of Procedure Up to Interrupt Acceptance in Interrupt Control Mode 0**

### 5.6.2 Interrupt Control Mode 2

In interrupt control mode 2, interrupt requests except for NMI and sleep interrupt are masked by comparing the interrupt mask level (I2 to I0 bits) in EXR of the CPU and the IPR setting. There are eight levels in mask control. Figure 5.4 shows a flowchart of the interrupt acceptance operation in this case.

1. If an interrupt request occurs when the corresponding interrupt enable bit is set to 1, an interrupt request is sent to the interrupt controller.
2. For multiple interrupt requests, the interrupt controller selects the interrupt request with the highest priority according to the IPR setting, and holds other interrupt requests pending. If multiple interrupt requests have the same priority, an interrupt request is selected according to the default setting shown in table 5.2.
3. Next, the priority of the selected interrupt request is compared with the interrupt mask level set in EXR. When the interrupt request does not have priority over the mask level set, it is held pending, and only an interrupt request with a priority over the interrupt mask level is accepted.
4. When the CPU accepts an interrupt request, it starts interrupt exception handling after execution of the current instruction has been completed.
5. The PC, CCR, and EXR contents are saved to the stack area during interrupt exception handling. The PC saved on the stack is the address of the first instruction to be executed after returning from the interrupt handling routine.
6. The T bit in EXR is cleared to 0. The interrupt mask level is rewritten with the priority of the accepted interrupt. If the accepted interrupt is NMI or sleep interrupt, the interrupt mask level is set to H'7.
7. The CPU generates a vector address for the accepted interrupt and starts execution of the interrupt handling routine at the address indicated by the contents of the vector address in the vector table.



**Figure 5.4 Flowchart of Procedure Up to Interrupt Acceptance in Interrupt Control Mode 2**

### 5.6.3 Interrupt Exception Handling Sequence

Figure 5.5 shows the interrupt exception handling sequence. The example is for the case where interrupt control mode 0 is set in maximum mode, and the program area and stack area are in on-chip memory.

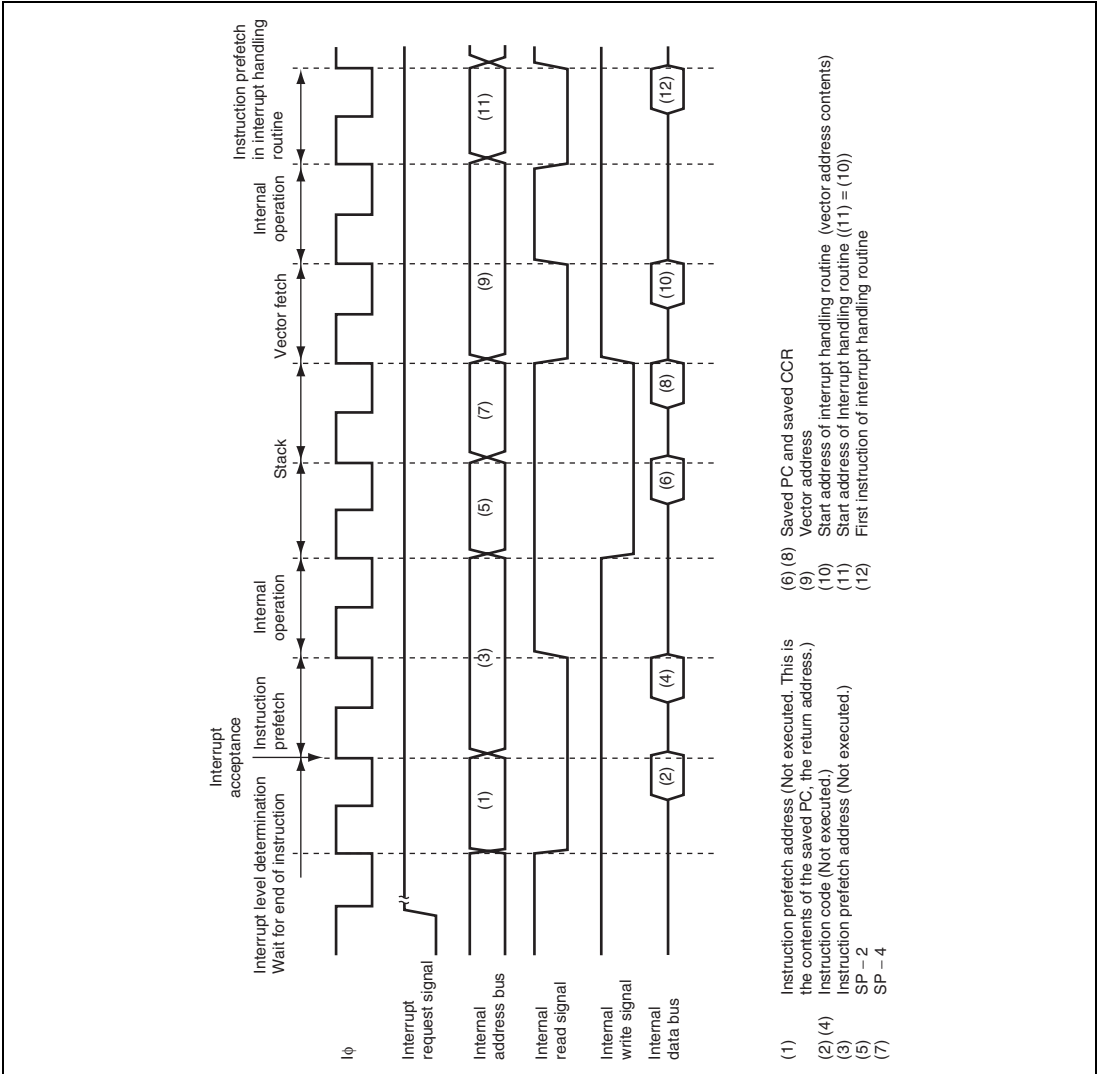


Figure 5.5 Interrupt Exception Handling



## 5.6.4 Interrupt Response Times

Table 5.4 shows interrupt response times – the interval between generation of an interrupt request and execution of the first instruction in the interrupt handling routine. The symbols for execution states used in table 5.4 are explained in table 5.5.

The stack area in on-chip RAM enables high-speed processing.

**Table 5.4 Interrupt Response Times**

Execution State	Normal Mode* <sup>5</sup>		Advanced Mode		Maximum Mode* <sup>5</sup>	
	Interrupt Control Mode 0	Interrupt Control Mode 2	Interrupt Control Mode 0	Interrupt Control Mode 2	Interrupt Control Mode 0	Interrupt Control Mode 2
	Interrupt priority determination* <sup>1</sup>			3		
Number of states until executing instruction ends* <sup>2</sup>			1 to 19 + 2·S <sub>I</sub>			
PC, CCR, EXR stacking	S <sub>K</sub> to 2·S <sub>K</sub> * <sup>6</sup>	2·S <sub>K</sub>	S <sub>K</sub> to 2·S <sub>K</sub> * <sup>6</sup>	2·S <sub>K</sub>	2·S <sub>K</sub>	2·S <sub>K</sub>
Vector fetch			S <sub>n</sub>			
Instruction fetch* <sup>3</sup>			2·S <sub>I</sub>			
Internal processing* <sup>4</sup>			2			
Total (using on-chip memory)	10 to 31	11 to 31	10 to 31	11 to 31	11 to 31	11 to 31

- Notes:
- Two states for an internal interrupt.
  - In the case of the MULXS or DIVXS instruction
  - Prefetch after interrupt acceptance or for an instruction in the interrupt handling routine.
  - Internal operation after interrupt acceptance or after vector fetch
  - Not available in this LSI.
  - When setting the SP value to 4n, the interrupt response time is S<sub>K</sub>; when setting to 4n + 2, the interrupt response time is 2·S<sub>K</sub>.

**Table 5.5 Number of Execution States in Interrupt Handling Routine**

Symbol	Object of Access				
	On-Chip Memory	External Device			
		8-Bit Bus		16-Bit Bus	
		2-State Access	3-State Access	2-State Access	3-State Access
Vector fetch $S_h$	1	8	12 + 4m	4	6 + 2m
Instruction fetch $S_i$	1	4	6 + 2m	2	3 + m
Stack manipulation $S_x$	1	8	12 + 4m	4	6 + 2m

[Legend]

m: Number of wait cycles in an external device access.

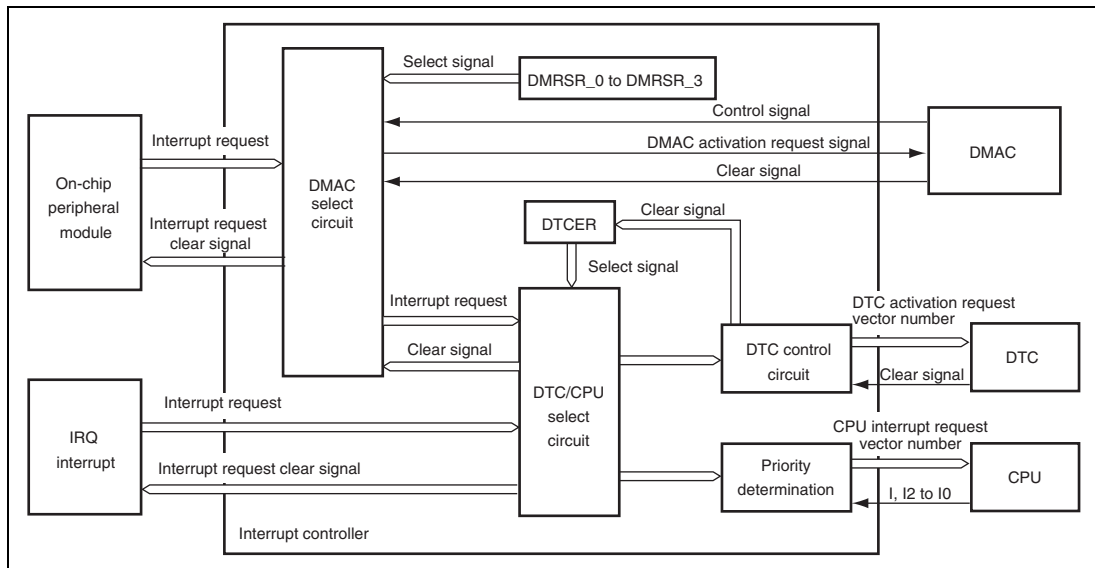
### 5.6.5 DTC and DMAC Activation by Interrupt

The DTC and DMAC can be activated by an interrupt. In this case, the following options are available:

- Interrupt request to the CPU
- Activation request to the DTC
- Activation request to the DMAC
- Combination of the above

For details on interrupt requests that can be used to activate the DTC and DMAC, see table 5.2, section 7, DMA Controller (DMAC), and section 8, Data Transfer Controller (DTC).

Figure 5.6 shows a block diagram of the DTC, DMAC, and interrupt controller.



**Figure 5.6 Block Diagram of DTC, DMAC, and Interrupt Controller**

### (1) Selection of Interrupt Sources

The activation source for each DMAC channel is selected by DMRSR. The selected activation source is input to the DMAC through the select circuit. When transfer by an on-chip module interrupt is enabled (DTF1 = 1, DTF0 = 0, and DTE = 1 in DMDR) and the DTA bit in DMDR is set to 1, the interrupt source selected for the DMAC activation source is controlled by the DMAC and cannot be used as a DTC activation source or CPU interrupt source.

Interrupt sources that are not controlled by the DMAC are set for DTC activation sources or CPU interrupt sources by the DTCE bit in DTCERA to DTCERH of the DTC.

Specifying the DISEL bit in MRB of the DTC generates an interrupt request to the CPU by clearing the DTCE bit to 0 after the individual DTC data transfer.

Note that when the DTC performs a predetermined number of data transfers and the transfer counter indicates 0, an interrupt request is made to the CPU by clearing the DTCE bit to 0 after the DTC data transfer.

When the same interrupt source is set as both the DTC and DMAC activation source and CPU interrupt source, the DTC and DMAC must be given priority over the CPU. If the IPSETE bit in CPUPCR is set to 1, the priority is determined according to the IPR setting. Therefore, the CPUP setting or the IPR setting corresponding to the interrupt source must be set to lower than or equal to the DTCP and DMAP setting. If the CPU is given priority over the DTC and DMAC, the DTC and DMAC may not be activated, and the data transfer may not be performed.

## (2) Priority Determination

The DTC activation source is selected according to the default priority, and the selection is not affected by its mask level or priority level. For respective priority levels, see table 8.1, Interrupt Sources, DTC Vector Addresses, and Corresponding DTCEs.

## (3) Operation Order

If the same interrupt is selected as both the DTC activation source and CPU interrupt source, the CPU interrupt exception handling is performed after the DTC data transfer. If the same interrupt is selected as the DTC or DMAC activation source or CPU interrupt source, respective operations are performed independently.

Table 5.6 lists the selection of interrupt sources and interrupt source clear control by setting the DTA bit in DMDR of the DMAC, the DTCE bit in DTCERA to DTCERH of the DTC, and the DISEL bit in MRB of the DTC.

**Table 5.6 Interrupt Source Selection and Clear Control**

DMAC Setting DTA	DTC Setting		Interrupt Source Selection/Clear Control		
	DTCE	CISEL	DMAC	DTC	CPU
0	0	*	O	X	√
	1	0	O	√	X
		1	O	O	√
1	*	*	√	X	X

[Legend]

- √: The corresponding interrupt is used. The interrupt source is cleared.  
(The interrupt source flag must be cleared in the CPU interrupt handling routine.)
- O: The corresponding interrupt is used. The interrupt source is not cleared.
- X: The corresponding interrupt is not available.
- \*: Don't care.

#### (4) Usage Note

The interrupt sources of the SCI and A/D converter are cleared according to the setting shown in table 5.6, when the DTC or DMAC reads/writes the prescribed register.

To initiate multiple channels for the DTC or DMAC with the same interrupt, the same priority (DTCP = DMAP) should be assigned.

### 5.7 CPU Priority Control Function Over DTC and DMAC

The interrupt controller has a function to control the priority among the DTC, DMAC, and the CPU by assigning different priority levels to the DTC, DMAC, and CPU. Since the priority level can automatically be assigned to the CPU on an interrupt occurrence, it is possible to execute the CPU interrupt exception handling prior to the DTC or DMAC transfer.

The priority level of the CPU is assigned by bits CPUP2 to CPUP0 in CPUPCR. The priority level of the DTC is assigned by bits DTCP2 to DTCP0 in CPUPCR. The priority level of the DMAC is assigned by bits DMAP2 to DMAP0 in DMDR for each channel.

The priority control function over the DTC and DMAC is enabled by setting the CPUPCE bit in CPUPCR to 1. When the CPUPCE bit is 1, the DTC and DMAC activation sources are controlled according to the respective priority levels.

The DTC activation source is controlled according to the priority level of the CPU indicated by bits CPUP2 to CPUP0 and the priority level of the DTC indicated by bits DTCP2 to DTCP0. If the CPU has priority, the DTC activation source is held. The DTC is activated when the condition by which the activation source is held is cancelled (CPUPCE = 1 and value of bits CPUP2 to CPUP0 is greater than that of bits DTCP2 to DTCP0). The priority level of the DTC is assigned by the DTCP2 to DTCP0 bits regardless of the activation source.

For the DMAC, the priority level can be specified for each channel. The DMAC activation source is controlled according to the priority level of each DMAC channel indicated by bits DMAP2 to DMAP0 and the priority level of the CPU. If the CPU has priority, the DMAC activation source is held. The DMAC is activated when the condition by which the activation source is held is cancelled (CPUPCE = 1 and value of bits CPUP2 to CPUP0 is greater than that of bits DMAP2 to DMAP0). If different priority levels are specified for channels, the channels of the higher priority levels continue transfer and the activation sources for the channels of lower priority levels than that of the CPU are held.

There are two methods for assigning the priority level to the CPU by the IPSETE bit in CPUPCR. Setting the IPSETE bit to 1 enables a function to automatically assign the value of the interrupt mask bit of the CPU to the CPU priority level. Clearing the IPSETE bit to 0 disables the function to automatically assign the priority level. Therefore, the priority level is assigned directly by software rewriting bits CPUP2 to CPUP0. Even if the IPSETE bit is 1, the priority level of the CPU is software assignable by rewriting the interrupt mask bit of the CPU (I bit in CCR or I2 to I0 bits in EXR).

The priority level which is automatically assigned when the IPSETE bit is 1 differs according to the interrupt control mode.

In interrupt control mode 0, the I bit in CCR of the CPU is reflected in bit CPUP2. Bits CPUP1 and CPUP0 are fixed 0. In interrupt control mode 2, the values of bits I2 to I0 in EXR of the CPU are reflected in bits CPUP2 to CPUP0.

Table 5.7 shows the CPU priority control.

**Table 5.7 CPU Priority Control**

Interrupt Control Mode	Interrupt Priority	Interrupt Mask Bit	IPSETE in CPUPCR	Control Status	
				CPUP2 to CPUP0	Rewriting of CPUP2 to CPUP0
0	Default	I = any	0	B'111 to B'000	Enabled
		I = 0	1	B'000	Disabled*
		I = 1		B'100	
2	IPR setting	I2 to I0	0	B'111 to B'000	Enabled
			1	I2 to I0	Disabled*

Note: \* The CPU priority is automatically updated.

Table 5.8 shows an setting example of the priority control function over the DTC and DMAC and the transfer request control state. A priority level can be independently set to each DMAC channel, but the table only shows one channel for example. Transfers through the DMAC channels can be separately controlled by assigning different priority levels for channels.

**Table 5.8 Example of Priority Control Function Setting and Control State**

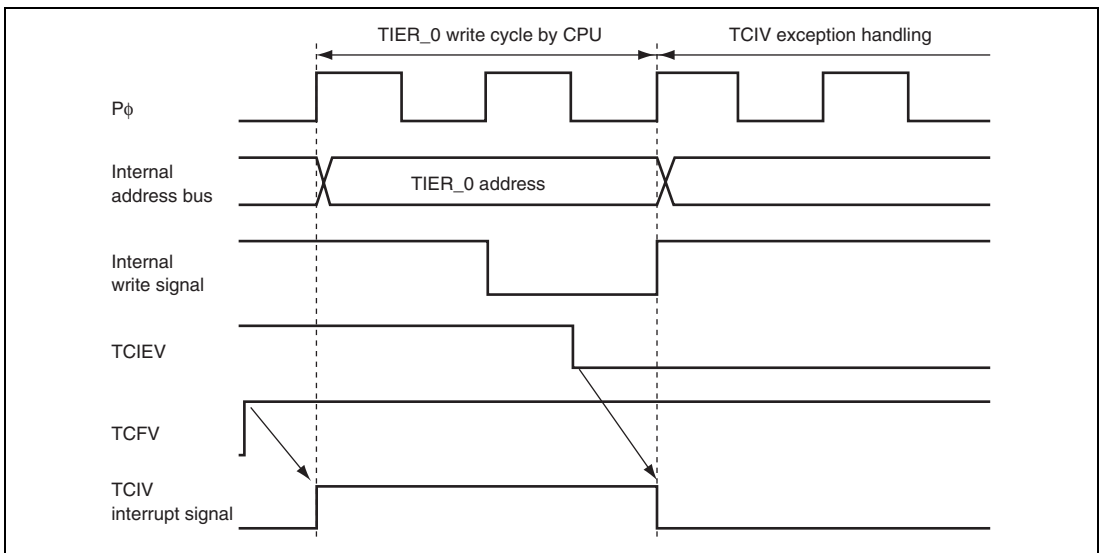
Interrupt Control Mode	CPUPCE in CPUPCR	CPUP2 to CPUP0	DTCP2 to DTCP0	DMAP2 to DMAP0	Transfer Request Control State	
					DTC	DMAC
0	0	Any	Any	Any	Enabled	Enabled
	1	B'000	B'000	B'000	Enabled	Enabled
		B'100	B'000	B'000	Masked	Masked
		B'100	B'000	B'011	Masked	Masked
		B'100	B'111	B'101	Enabled	Enabled
B'000	B'111	B'101	Enabled	Enabled		
2	0	Any	Any	Any	Enabled	Enabled
	1	B'000	B'000	B'000	Enabled	Enabled
		B'000	B'011	B'101	Enabled	Enabled
		B'011	B'011	B'101	Enabled	Enabled
		B'100	B'011	B'101	Masked	Enabled
		B'101	B'011	B'101	Masked	Enabled
		B'110	B'011	B'101	Masked	Masked
		B'111	B'011	B'101	Masked	Masked
		B'101	B'011	B'101	Masked	Enabled
B'101	B'110	B'101	Enabled	Enabled		

## 5.8 Usage Notes

### 5.8.1 Conflict between Interrupt Generation and Disabling

When an interrupt enable bit is cleared to 0 to mask the interrupt, the masking becomes effective after execution of the instruction.

When an interrupt enable bit is cleared to 0 by an instruction such as BCLR or MOV, if an interrupt is generated during execution of the instruction, the interrupt concerned will still be enabled on completion of the instruction, and so interrupt exception handling for that interrupt will be executed on completion of the instruction. However, if there is an interrupt request with priority over that interrupt, interrupt exception handling will be executed for the interrupt with priority, and another interrupt will be ignored. The same also applies when an interrupt source flag is cleared to 0. Figure 5.7 shows an example in which the TCIEV bit in TIER of the TPU is cleared to 0. The above conflict will not occur if an enable bit or interrupt source flag is cleared to 0 while the interrupt is masked.



**Figure 5.7 Conflict between Interrupt Generation and Disabling**

If an interrupt is generated immediately before rewriting the DTC enable bit, both DTC activation and CPU interrupt exception handling are executed. To rewrite the DTC enable bit, execute this while the corresponding interrupt request is not generated.



## 5.8.2 Instructions that Disable Interrupts

Instructions that disable interrupts immediately after execution are LDC, ANDC, ORC, and XORC. After any of these instructions is executed, all interrupts including NMI are disabled and the next instruction is always executed. When the I bit is set by one of these instructions, the new value becomes valid two states after execution of the instruction ends.

## 5.8.3 Times when Interrupts are Disabled

There are times when interrupt acceptance is disabled by the interrupt controller.

The interrupt controller disables interrupt acceptance for a 3-state period after the CPU has updated the mask level with an LDC, ANDC, ORC, or XORC instruction, and for a period of writing to the registers of the interrupt controller.

## 5.8.4 Interrupts during Execution of EEPMOV Instruction

Interrupt operation differs between the EEPMOV.B and the EEPMOV.W instructions.

With the EEPMOV.B instruction, an interrupt request (including NMI) issued during the transfer is not accepted until the transfer is completed.

With the EEPMOV.W instruction, if an interrupt request is issued during the transfer, interrupt exception handling starts at the end of the individual transfer cycle. The PC value saved on the stack in this case is the address of the next instruction. Therefore, if an interrupt is generated during execution of an EEPMOV.W instruction, the following coding should be used.

```
L1:    EEPMOV.W  
      MOV.W  R4, R4  
      BNE   L1
```

## 5.8.5 Interrupts during Execution of MOVMD and MOVSD Instructions

With the MOVMD or MOVSD instruction, if an interrupt request is issued during the transfer, interrupt exception handling starts at the end of the individual transfer cycle. The PC value saved on the stack in this case is the address of the MOVMD or MOVSD instruction. The transfer of the remaining data is resumed after returning from the interrupt handling routine.

### **5.8.6 Interrupt Source Flag of Peripheral Module**

To clear an interrupt source flag by the CPU using an interrupt function of a peripheral module, the flag must be read from after clearing within the interrupt processing routine. This makes the request signal synchronized with the peripheral module clock.

## Section 6 Bus Controller (BSC)

This LSI has an on-chip bus controller (BSC) that manages the external address space divided into eight areas.

The bus controller also has a bus arbitration function, and controls the operation of the internal bus masters; CPU, DMAC, and DTC.

### 6.1 Features

- Manages external address space in area units  
 Manages the external address space divided into eight areas.  
 Chip select signals ( $\overline{CS0}$  to  $\overline{CS7}$ ) can be output for each area.  
 Bus specifications can be set independently for each area.  
 8-bit access or 16-bit access can be selected for each area.  
 Burst ROM, byte control SRAM, or address/data multiplexed I/O interface can be set.  
 An endian conversion function is provided to connect a device of little endian.
- Basic bus interface  
 This interface can be connected to the SRAM and ROM.  
 2-state access or 3-state access can be selected for each area.  
 Program wait cycles can be inserted for each area.  
 Wait cycles can be inserted by the  $\overline{WAIT}$  pin.  
 Extension cycles can be inserted while  $\overline{CSn}$  is asserted for each area (n = 0 to 7).  
 The negation timing of the read strobe signal ( $\overline{RD}$ ) can be modified.
- Byte control SRAM interface  
 Byte control SRAM interface can be set for areas 0 to 7.  
 The SRAM that has a byte control pin can be directly connected.
- Burst ROM interface  
 Burst ROM interface can be set for areas 0 and 1.  
 Burst ROM interface parameters can be set independently for areas 0 and 1.
- Address/data multiplexed I/O interface  
 Address/data multiplexed I/O interface can be set for areas 3 to 7.

- Idle cycle insertion

Idle cycles can be inserted between external read accesses to different areas.

Idle cycles can be inserted before the external write access after an external read access.

Idle cycles can be inserted before the external read access after an external write access.

Idle cycles can be inserted before the external access after a DMAC single address transfer (write access)

- Write buffer function

External write cycles and internal accesses can be executed in parallel

Write accesses to the on-chip peripheral module and on-chip memory accesses can be executed in parallel

DMAC single address transfers and internal accesses can be executed in parallel

- External bus release function

- Bus arbitration function

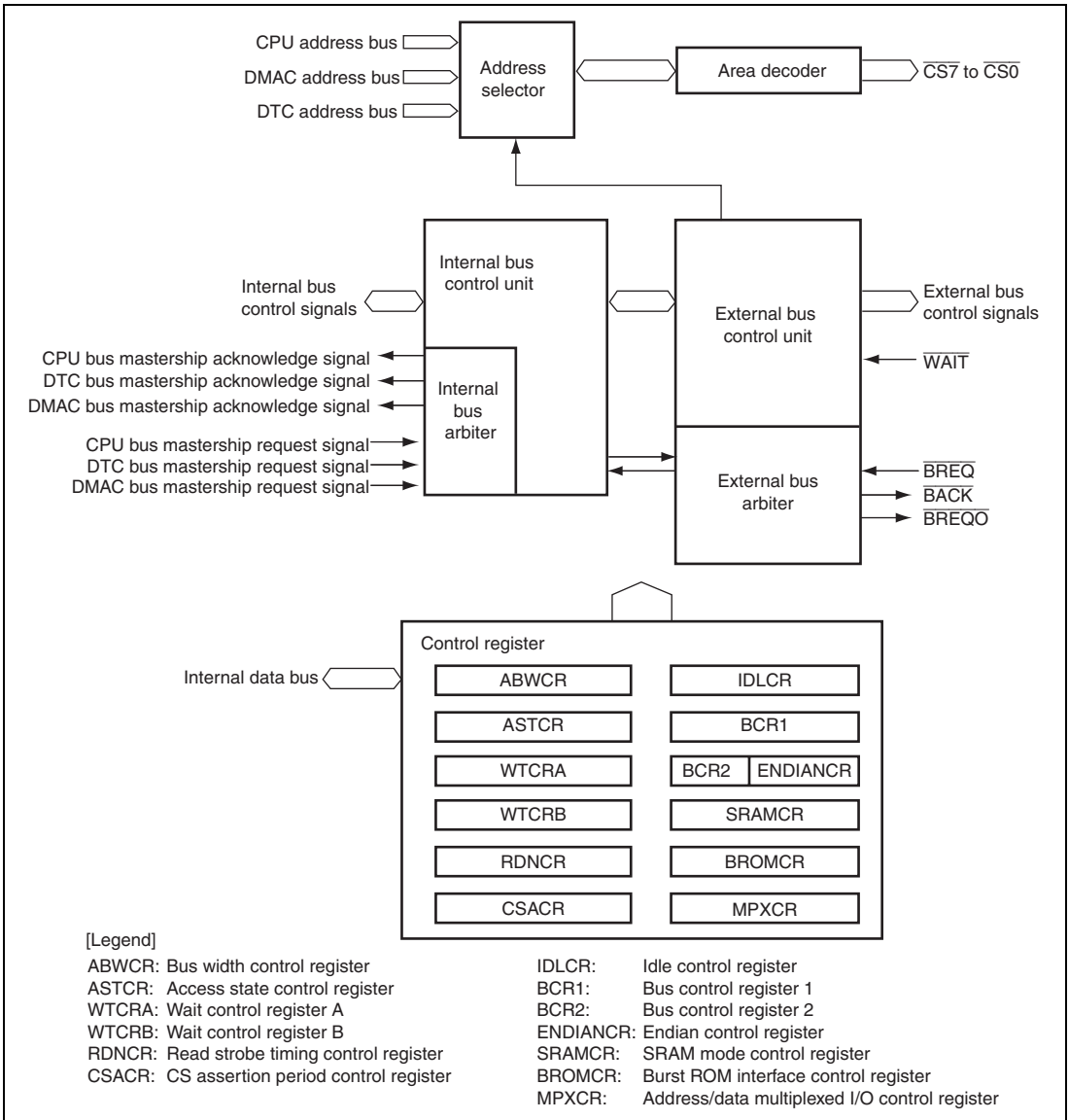
Includes a bus arbiter that arbitrates bus mastership among the CPU, DMAC, DTC, and external bus master

- Multi-clock function

The internal peripheral functions can be operated in synchronization with the peripheral module clock ( $P\phi$ ). Accesses to the external address space can be operated in synchronization with the external bus clock ( $B\phi$ ).

- The bus start ( $\overline{BS}$ ) and read/write ( $RD/\overline{WR}$ ) signals can be output.

A block diagram of the bus controller is shown in figure 6.1.



**Figure 6.1 Block Diagram of Bus Controller**

## 6.2 Register Descriptions

The bus controller has the following registers.

- Bus width control register (ABWCR)
- Access state control register (ASTCR)
- Wait control register A (WTCRA)
- Wait control register B (WTCRB)
- Read strobe timing control register (RDNCR)
- $\overline{\text{CS}}$  assertion period control register (CSACR)
- Idle control register (IDLCR)
- Bus control register 1 (BCR1)
- Bus control register 2 (BCR2)
- Endian control register (ENDIANCR)
- SRAM mode control register (SRAMCR)
- Burst ROM interface control register (BROMCR)
- Address/data multiplexed I/O control register (MPXCR)

## 6.2.1 Bus Width Control Register (ABWCR)

ABWCR specifies the data bus width for each area in the external address space.

Bit	15	14	13	12	11	10	9	8
Bit Name	ABWH7	ABWH6	ABWH5	ABWH4	ABWH3	ABWH2	ABWH1	ABWH0
Initial Value	1	1	1	1	1	1	1	1/0
R/W	R/W	R/W	R/W	R/W	R/W	R/W	R/W	R/W

Bit	7	6	5	4	3	2	1	0
Bit Name	ABWL7	ABWL6	ABWL5	ABWL4	ABWL3	ABWL2	ABWL1	ABWL0
Initial Value	1	1	1	1	1	1	1	1
R/W	R/W	R/W	R/W	R/W	R/W	R/W	R/W	R/W

Note: \* Initial value at 16-bit bus initiation is H'FEFF, and that at 8-bit bus initiation is H'FFFF.

Bit	Bit Name	Initial Value* <sup>1</sup>	R/W	Description
15	ABWH7	1	R/W	Area 7 to 0 Bus Width Control
14	ABWH6	1	R/W	These bits select whether the corresponding area is to be designated as 8-bit access space or 16-bit access space.
13	ABWH5	1	R/W	
12	ABWH4	1	R/W	ABWHn ABWLn (n = 7 to 0)
11	ABWH3	1	R/W	× 0: Setting prohibited
10	ABWH2	1	R/W	0 1: Area n is designated as 16-bit access space
9	ABWH1	1	R/W	1 1: Area n is designated as 8-bit access space* <sup>2</sup>
8	ABWL0	1/0	R/W	
7	ABWL7	1	R/W	
6	ABWL6	1	R/W	
5	ABWL5	1	R/W	
4	ABWL4	1	R/W	
3	ABWL3	1	R/W	
2	ABWL2	1	R/W	
1	ABWL1	1	R/W	
0	ABWL0	1	R/W	

[Legend]

×: Don't care

- Notes:
1. Initial value at 16-bit bus initiation is H'FEFF, and that at 8-bit bus initiation is H'FFFF.
  2. An address space specified as byte control SRAM interface must not be specified as 8-bit access space.

## 6.2.2 Access State Control Register (ASTCR)

ASTCR designates each area in the external address space as either 2-state access space or 3-state access space and enables/disables wait cycle insertion.

Bit	15	14	13	12	11	10	9	8
Bit Name	AST7	AST6	AST5	AST4	AST3	AST2	AST1	AST0
Initial Value	1	1	1	1	1	1	1	1
R/W	R/W	R/W	R/W	R/W	R/W	R/W	R/W	R/W

Bit	7	6	5	4	3	2	1	0
Bit Name	—	—	—	—	—	—	—	—
Initial Value	0	0	0	0	0	0	0	0
R/W	R	R	R	R	R	R	R	R

Bit	Bit Name	Initial Value	R/W	Description
15	AST7	1	R/W	Area 7 to 0 Access State Control
14	AST6	1	R/W	These bits select whether the corresponding area is to be designated as 2-state access space or 3-state access space. Wait cycle insertion is enabled or disabled at the same time.
13	AST5	1	R/W	
12	AST4	1	R/W	0: Area n is designated as 2-state access space Wait cycle insertion in area n access is disabled
11	AST3	1	R/W	
10	AST2	1	R/W	1: Area n is designated as 3-state access space Wait cycle insertion in area n access is enabled (n = 7 to 0)
9	AST1	1	R/W	
8	AST0	1	R/W	
7 to 0	—	All 0	R	Reserved These are read-only bits and cannot be modified.



### 6.2.3 Wait Control Registers A and B (WTCRA, WTCRB)

WTCRA and WTCRB select the number of program wait cycles for each area in the external address space.

- WTCRA

Bit	15	14	13	12	11	10	9	8
Bit Name	—	W72	W71	W70	—	W62	W61	W60
Initial Value	0	1	1	1	0	1	1	1
R/W	R	R/W	R/W	R/W	R	R/W	R/W	R/W
Bit	7	6	5	4	3	2	1	0
Bit Name	—	W52	W51	W50	—	W42	W41	W40
Initial Value	0	1	1	1	0	1	1	1
R/W	R	R/W	R/W	R/W	R	R/W	R/W	R/W

- WTCRB

Bit	15	14	13	12	11	10	9	8
Bit Name	—	W32	W31	W30	—	W22	W21	W20
Initial Value	0	1	1	1	0	1	1	1
R/W	R	R/W	R/W	R/W	R	R/W	R/W	R/W
Bit	7	6	5	4	3	2	1	0
Bit Name	—	W12	W11	W10	—	W02	W01	W00
Initial Value	0	1	1	1	0	1	1	1
R/W	R	R/W	R/W	R/W	R	R/W	R/W	R/W

- WTCRA

Bit	Bit Name	Initial Value	R/W	Description		
15	—	0	R	Reserved This is a read-only bit and cannot be modified.		
14	W72	1	R/W	Area 7 Wait Control 2 to 0		
13	W71	1	R/W	These bits select the number of program wait cycles when accessing area 7 while bit AST7 in ASTCR is 1. 000: Program wait cycle not inserted 001: 1 program wait cycle inserted 010: 2 program wait cycles inserted 011: 3 program wait cycles inserted 100: 4 program wait cycles inserted 101: 5 program wait cycles inserted 110: 6 program wait cycles inserted 111: 7 program wait cycles inserted		
12	W70	1	R/W			
11	—	0	R		Reserved This is a read-only bit and cannot be modified.	
10	W62	1	R/W		Area 6 Wait Control 2 to 0	
9	W61	1	R/W		These bits select the number of program wait cycles when accessing area 6 while bit AST6 in ASTCR is 1. 000: Program wait cycle not inserted 001: 1 program wait cycle inserted 010: 2 program wait cycles inserted 011: 3 program wait cycles inserted 100: 4 program wait cycles inserted 101: 5 program wait cycles inserted 110: 6 program wait cycles inserted 111: 7 program wait cycles inserted	
8	W60	1	R/W			
7	—	0	R			Reserved This is a read-only bit and cannot be modified.

Bit	Bit Name	Initial Value	R/W	Description	
6	W52	1	R/W	Area 5 Wait Control 2 to 0	
5	W51	1	R/W	These bits select the number of program wait cycles when accessing area 5 while bit AST5 in ASTCR is 1. 000: Program cycle wait not inserted 001: 1 program wait cycle inserted 010: 2 program wait cycles inserted 011: 3 program wait cycles inserted 100: 4 program wait cycles inserted 101: 5 program wait cycles inserted 110: 6 program wait cycles inserted 111: 7 program wait cycles inserted	
4	W50	1	R/W		
3	—	0	R		Reserved This is a read-only bit and cannot be modified.
2	W42	1	R/W		Area 4 Wait Control 2 to 0
1	W41	1	R/W		These bits select the number of program wait cycles when accessing area 4 while bit AST4 in ASTCR is 1. 000: Program wait cycle not inserted 001: 1 program wait cycle inserted 010: 2 program wait cycles inserted 011: 3 program wait cycles inserted 100: 4 program wait cycles inserted 101: 5 program wait cycles inserted 110: 6 program wait cycles inserted 111: 7 program wait cycles inserted
0	W40	1	R/W		

- WTCRB

Bit	Bit Name	Initial Value	R/W	Description		
15	—	0	R	Reserved This is a read-only bit and cannot be modified.		
14	W32	1	R/W	Area 3 Wait Control 2 to 0		
13	W31	1	R/W	These bits select the number of program wait cycles when accessing area 3 while bit AST3 in ASTCR is 1. 000: Program wait cycle not inserted 001: 1 program wait cycle inserted 010: 2 program wait cycles inserted 011: 3 program wait cycles inserted 100: 4 program wait cycles inserted 101: 5 program wait cycles inserted 110: 6 program wait cycles inserted 111: 7 program wait cycles inserted		
12	W30	1	R/W			
11	—	0	R		Reserved This is a read-only bit and cannot be modified.	
10	W22	1	R/W		Area 2 Wait Control 2 to 0	
9	W21	1	R/W		These bits select the number of program wait cycles when accessing area 2 while bit AST2 in ASTCR is 1. 000: Program wait cycle not inserted 001: 1 program wait cycle inserted 010: 2 program wait cycles inserted 011: 3 program wait cycles inserted 100: 4 program wait cycles inserted 101: 5 program wait cycles inserted 110: 6 program wait cycles inserted 111: 7 program wait cycles inserted	
8	W20	1	R/W			
7	—	0	R			Reserved This is a read-only bit and cannot be modified.

Bit	Bit Name	Initial Value	R/W	Description	
6	W12	1	R/W	Area 1 Wait Control 2 to 0	
5	W11	1	R/W	These bits select the number of program wait cycles when accessing area 1 while bit AST1 in ASTCR is 1. 000: Program wait cycle not inserted 001: 1 program wait cycle inserted 010: 2 program wait cycles inserted 011: 3 program wait cycles inserted 100: 4 program wait cycles inserted 101: 5 program wait cycles inserted 110: 6 program wait cycles inserted 111: 7 program wait cycles inserted	
4	W10	1	R/W		
3	—	0	R		Reserved This is a read-only bit and cannot be modified.
2	W02	1	R/W		Area 0 Wait Control 2 to 0
1	W01	1	R/W		These bits select the number of program wait cycles when accessing area 0 while bit AST0 in ASTCR is 1. 000: Program wait cycle not inserted 001: 1 program wait cycle inserted 010: 2 program wait cycles inserted 011: 3 program wait cycles inserted 100: 4 program wait cycles inserted 101: 5 program wait cycles inserted 110: 6 program wait cycles inserted 111: 7 program wait cycles inserted
0	W00	1	R/W		

### 6.2.4 Read Strobe Timing Control Register (RDNCR)

RDNCR selects the negation timing of the read strobe signal ( $\overline{RD}$ ) when reading the external address spaces specified as a basic bus interface or the address/data multiplexed I/O interface.

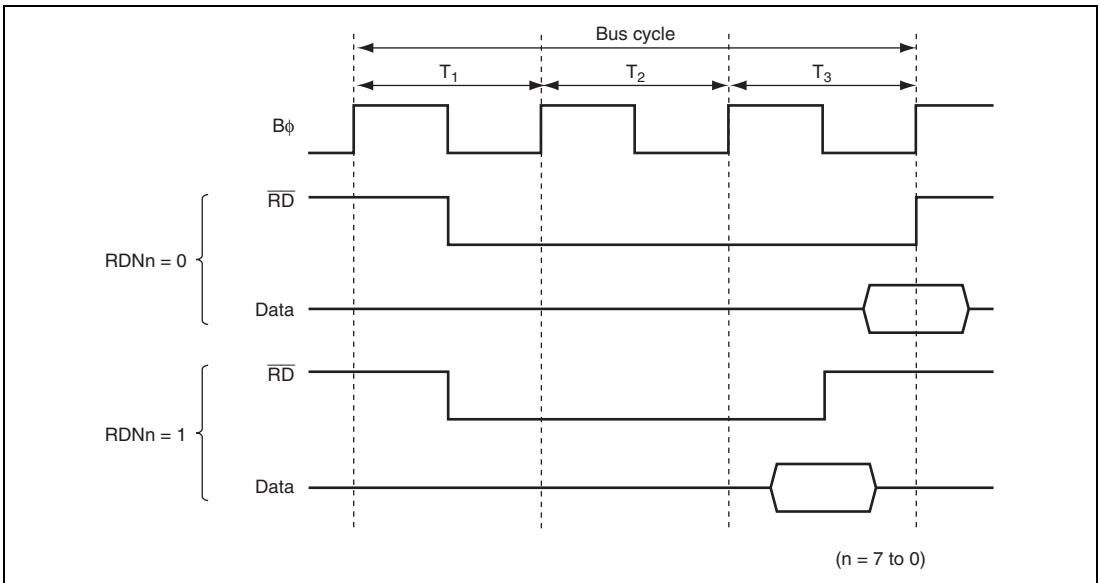
Bit	15	14	13	12	11	10	9	8
Bit Name	RDN7	RDN6	RDN5	RDN4	RDN3	RDN2	RDN1	RDN0
Initial Value	0	0	0	0	0	0	0	0
R/W	R/W	R/W	R/W	R/W	R/W	R/W	R/W	R/W

Bit	7	6	5	4	3	2	1	0
Bit Name	—	—	—	—	—	—	—	—
Initial Value	0	0	0	0	0	0	0	0
R/W	R	R	R	R	R	R	R	R

Bit	Bit Name	Initial Value	R/W	Description
15	RDN7	0	R/W	Read Strobe Timing Control
14	RDN6	0	R/W	These bits set the negation timing of the read strobe in a corresponding area read access.
13	RDN5	0	R/W	
12	RDN4	0	R/W	As shown in figure 6.2, the read strobe for an area for which the RDNn bit is set to 1 is negated one half-cycle earlier than that for an area for which the RDNn bit is cleared to 0. The read data setup and hold time are also given one half-cycle earlier.
11	RDN3	0	R/W	
10	RDN2	0	R/W	
9	RDN1	0	R/W	
8	RDN0	0	R/W	0: In an area n read access, the $\overline{RD}$ signal is negated at the end of the read cycle 1: In an area n read access, the $\overline{RD}$ signal is negated one half-cycle before the end of the read cycle (n = 7 to 0)
7 to 0	—	All 0	R	Reserved These are read-only bits and cannot be modified.

- Notes:
1. In an external address space which is specified as byte control SRAM interface, the RDNCR setting is ignored and the same operation when RDNn = 1 is performed.
  2. In an external address space which is specified as burst ROM interface, the RDNCR setting is ignored and the same operation when RDNn = 0 is performed.



**Figure 6.2 Read Strobe Negation Timing (Example of 3-State Access Space)**

### 6.2.5 $\overline{CS}$ Assertion Period Control Registers (CSACR)

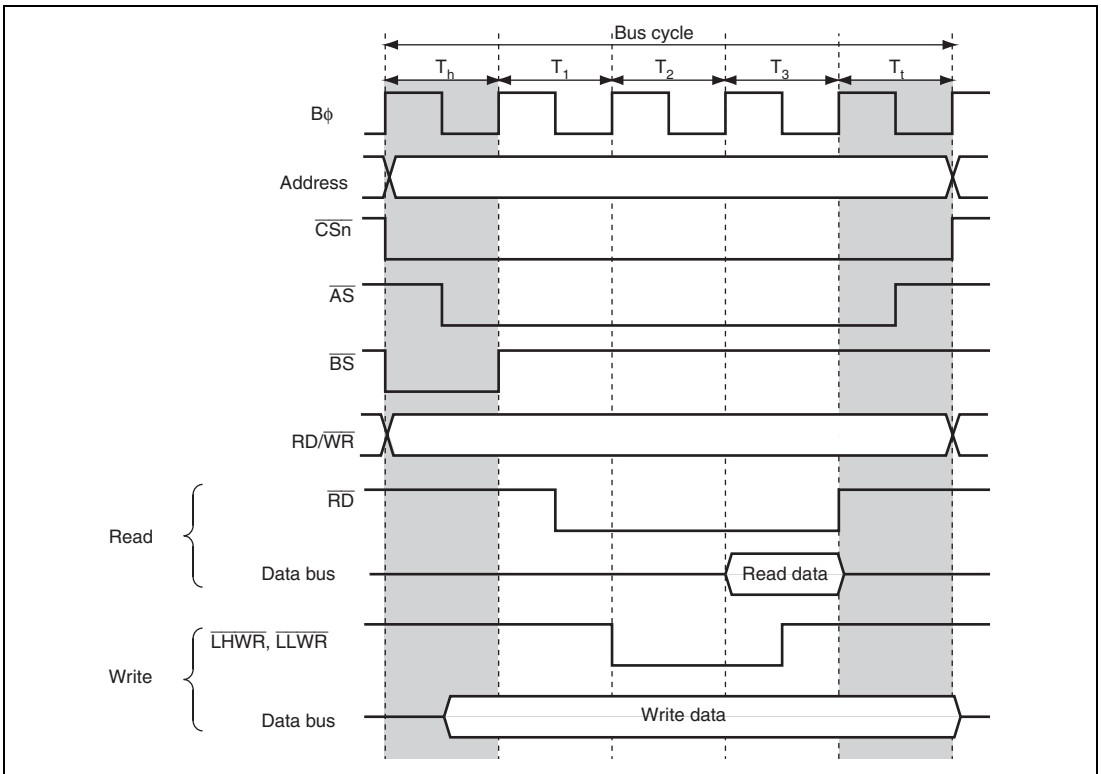
CSACR selects whether or not the assertion periods of the chip select signals ( $\overline{CSn}$ ) and address signals for the basic bus, byte-control SRAM, burst ROM, and address/data multiplexed I/O interface are to be extended. Extending the assertion period of the  $\overline{CSn}$  and address signals allows the setup time and hold time of read strobe ( $\overline{RD}$ ) and write strobe ( $\overline{LHWR}/\overline{LLWR}$ ) to be assured and to make the write data setup time and hold time for the write strobe become flexible.

Bit	15	14	13	12	11	10	9	8
Bit Name	CSXH7	CSXH6	CSXH5	CSXH4	CSXH3	CSXH2	CSXH1	CSXH0
Initial Value	0	0	0	0	0	0	0	0
R/W	R/W	R/W	R/W	R/W	R/W	R/W	R/W	R/W
Bit	7	6	5	4	3	2	1	0
Bit Name	CSXT7	CSXT6	CSXT5	CSXT4	CSXT3	CSXT2	CSXT1	CSXT0
Initial Value	0	0	0	0	0	0	0	0
R/W	R/W	R/W	R/W	R/W	R/W	R/W	R/W	R/W

Bit	Bit Name	Initial Value	R/W	Description
15	CSXH7	0	R/W	$\overline{CS}$ and Address Signal Assertion Period Control 1
14	CSXH6	0	R/W	These bits specify whether or not the Th cycle is to be inserted (see figure 6.3). When an area for which bit CSXHn is set to 1 is accessed, one Th cycle, in which the $\overline{CSn}$ and address signals are asserted, is inserted before the normal access cycle.
13	CSXH5	0	R/W	
12	CSXH4	0	R/W	0: In access to area n, the $\overline{CSn}$ and address assertion period (Th) is not extended
11	CSXH3	0	R/W	
10	CSXH2	0	R/W	1: In access to area n, the $\overline{CSn}$ and address assertion period (Th) is extended (n = 7 to 0)
9	CSXH1	0	R/W	
8	CSXH0	0	R/W	
7	CSXT7	0	R/W	$\overline{CS}$ and Address Signal Assertion Period Control 2
6	CSXT6	0	R/W	These bits specify whether or not the Tt cycle is to be inserted (see figure 6.3). When an area for which bit CSXTn is set to 1 is accessed, one Tt cycle, in which the $\overline{CSn}$ and address signals are retained, is inserted after the normal access cycle.
5	CSXT5	0	R/W	
4	CSXT4	0	R/W	0: In access to area n, the $\overline{CSn}$ and address assertion period (Tt) is not extended
3	CSXT3	0	R/W	
2	CSXT2	0	R/W	1: In access to area n, the $\overline{CSn}$ and address assertion period (Tt) is extended (n = 7 to 0)
1	CSXT1	0	R/W	
0	CSXT0	0	R/W	

Note: \* In burst ROM interface, the CSXTn settings are ignored.





**Figure 6.3  $\overline{CS}$  and Address Assertion Period Extension**  
**(Example of Basic Bus Interface, 3-State Access Space, and  $RDNn = 0$ )**

## 6.2.6 Idle Control Register (IDLCR)

IDLCR specifies the idle cycle insertion conditions and the number of idle cycles.

Bit	15	14	13	12	11	10	9	8
Bit Name	IDLS3	IDLS2	IDLS1	IDLS0	IDLCB1	IDLCB0	IDLCA1	IDLCA0
Initial Value	1	1	1	1	1	1	1	1
R/W	R/W	R/W	R/W	R/W	R/W	R/W	R/W	R/W

Bit	7	6	5	4	3	2	1	0
Bit Name	IDLSEL7	IDLSEL6	IDLSEL5	IDLSEL4	IDLSEL3	IDLSEL2	IDLSEL1	IDLSELO
Initial Value	0	0	0	0	0	0	0	0
R/W	R/W	R/W	R/W	R/W	R/W	R/W	R/W	R/W

Bit	Bit Name	Initial Value	R/W	Description
15	IDLS3	1	R/W	<p>Idle Cycle Insertion 3</p> <p>Inserts an idle cycle between the bus cycles when the DMAC single address transfer (write cycle) is followed by external access.</p> <p>0: No idle cycle is inserted 1: An idle cycle is inserted</p>
14	IDLS2	1	R/W	<p>Idle Cycle Insertion 2</p> <p>Inserts an idle cycle between the bus cycles when the external write cycle is followed by external read cycle.</p> <p>0: No idle cycle is inserted 1: An idle cycle is inserted</p>
13	IDLS1	1	R/W	<p>Idle Cycle Insertion 1</p> <p>Inserts an idle cycle between the bus cycles when the external read cycles of different areas continue.</p> <p>0: No idle cycle is inserted 1: An idle cycle is inserted</p>
12	IDLS0	1	R/W	<p>Idle Cycle Insertion 0</p> <p>Inserts an idle cycle between the bus cycles when the external read cycle is followed by external write cycle.</p> <p>0: No idle cycle is inserted 1: An idle cycle is inserted</p>

Bit	Bit Name	Initial Value	R/W	Description
11	IDLCB1	1	R/W	Idle Cycle State Number Select B
10	IDLCB0	1	R/W	Specifies the number of idle cycles to be inserted for the idle condition specified by IDLS1 and IDLS0. 00: No idle cycle is inserted 01: 2 idle cycles are inserted 00: 3 idle cycles are inserted 01: 4 idle cycles are inserted
9	IDLCA1	1	R/W	Idle Cycle State Number Select A
8	IDLCA0	1	R/W	Specifies the number of idle cycles to be inserted for the idle condition specified by IDLS3 to IDLS0. 00: 1 idle cycle is inserted 01: 2 idle cycles are inserted 10: 3 idle cycles are inserted 11: 4 idle cycles are inserted
7	IDLSEL7	0	R/W	Idle Cycle Number Select
6	IDLSEL6	0	R/W	Specifies the number of idle cycles to be inserted for each area for the idle insertion condition specified by IDLS1 and IDLS0.
5	IDLSEL5	0	R/W	
4	IDLSEL4	0	R/W	
3	IDLSEL3	0	R/W	0: Number of idle cycles to be inserted for area n is specified by IDLCA1 and IDLCA0.
2	IDLSEL2	0	R/W	1: Number of idle cycles to be inserted for area n is specified by IDLCB1 and IDLCB0.
1	IDLSEL1	0	R/W	
0	IDLSEL0	0	R/W	(n = 7 to 0)

### 6.2.7 Bus Control Register 1 (BCR1)

BCR1 is used for selection of the external bus released state protocol, enabling/disabling of the write data buffer function, and enabling/disabling of the  $\overline{\text{WAIT}}$  pin input.

Bit	15	14	13	12	11	10	9	8
Bit Name	BRLE	BREQOE	—	—	—	—	WDBE	WAITE
Initial Value	0	0	0	0	0	0	0	0
R/W	R/W	R/W	R	R	R/W	R/W	R/W	R/W

Bit	7	6	5	4	3	2	1	0
Bit Name	DKC	—	—	—	—	—	—	—
Initial Value	0	0	0	0	0	0	0	0
R/W	R/W	R/W	R	R	R	R	R	R

Bit	Bit Name	Initial Value	R/W	Description
15	BRLE	0	R/W	<p>External Bus Release Enable</p> <p>Enables/disables external bus release.</p> <p>0: External bus release disabled  <math>\overline{\text{BREQ}}</math>, <math>\overline{\text{BACK}}</math>, and <math>\overline{\text{BREQO}}</math> pins can be used as I/O ports</p> <p>1: External bus release enabled*</p> <p>To set this bit to 1, the ICR bit of the corresponding pin should be specified to 1. For details, see section 9, I/O Ports.</p>
14	BREQOE	0	R/W	<p><math>\overline{\text{BREQO}}</math> Pin Enable</p> <p>Controls outputting the bus request signal (<math>\overline{\text{BREQO}}</math>) to the external bus master in the external bus released state when an internal bus master performs an external address space access.</p> <p>0: <math>\overline{\text{BREQO}}</math> output disabled  <math>\overline{\text{BREQO}}</math> pin can be used as I/O port</p> <p>1: <math>\overline{\text{BREQO}}</math> output enabled</p>
13, 12	—	All 0	R	<p>Reserved</p> <p>These are read-only bits and cannot be modified.</p>

Bit	Bit Name	Initial Value	R/W	Description
11, 10	—	All 0	R/W	Reserved These bits are always read as 0. The write value should always be 0.
9	WDBE	0	R/W	Write Data Buffer Enable The write data buffer function can be used for an external write cycle and a DMAC single address transfer cycle. Note that a set value change may not be reflected to the external access immediately after the change. 0: Write data buffer function not used 1: Write data buffer function used
8	WAITE	0	R/W	$\overline{\text{WAIT}}$ Pin Enable Selects enabling/disabling of wait input by the $\overline{\text{WAIT}}$ pin. 0: Wait input by $\overline{\text{WAIT}}$ pin disabled $\overline{\text{WAIT}}$ pin can be used as I/O port 1: Wait input by $\overline{\text{WAIT}}$ pin enabled To set this bit to 1, the ICR bit of the corresponding pin should be specified to 1. For details, see section 9, I/O Ports.
7	DKC	0	R/W	$\overline{\text{DACK}}$ Control Selects the timing of DMAC transfer acknowledge signal assertion. 0: $\overline{\text{DACK}}$ signal is asserted at the $B\phi$ falling edge 1: $\overline{\text{DACK}}$ signal is asserted at the $B\phi$ rising edge
6	—	0	R/W	Reserved This bit is always read as 0. The write value should always be 0.
5 to 0	—	All 0	R	Reserved These are read-only bits and cannot be modified.

### 6.2.8 Bus Control Register 2 (BCR2)

BCR2 is used for bus arbitration control of the CPU, DMAC, and DTC, and enabling/disabling of the write data buffer function to the peripheral modules.

Bit	7	6	5	4	3	2	1	0
Bit Name	—	—	—	IBCCS	—	—	—	PWDBE
Initial Value	0	0	0	0	0	0	1	0
R/W	R	R	R/W	R/W	R	R	R/W	R/W

Bit	Bit Name	Initial Value	R/W	Description
7, 6	—	All 0	R	Reserved These are read-only bits and cannot be modified.
5	—	0	R/W	Reserved This bit is always read as 0. The write value should always be 0.
4	IBCCS	0	R/W	Internal Bus Cycle Control Select Selects the internal bus arbiter function. 0: Releases the bus mastership according to the priority 1: Executes the bus cycles alternatively when a CPU bus mastership request conflicts with a DMAC or DTC bus mastership request
3, 2	—	All 0	R	Reserved These are read-only bits and cannot be modified.
1	—	1	R/W	Reserved This bit is always read as 1. The write value should always be 1.
0	PWDBE	0	R/W	Peripheral Module Write Data Buffer Enable Specifies whether or not to use the write data buffer function for the peripheral module write cycles. 0: Write data buffer function not used 1: Write data buffer function used

## 6.2.9 Endian Control Register (ENDIANCR)

ENDIANCR selects the endian format for each area of the external address space. Though the data format of this LSI is big endian, data can be transferred in the little endian format during external address space access.

Note that the data format for the areas used as a program area or a stack area should be big endian.

Bit	7	6	5	4	3	2	1	0
Bit Name	LE7	LE6	LE5	LE4	LE3	LE2	—	—
Initial Value	0	0	0	0	0	0	0	0
R/W	R/W	R/W	R/W	R/W	R/W	R/W	R	R

Bit	Bit Name	Initial Value	R/W	Description
7	LE7	0	R/W	Little Endian Select
6	LE6	0	R/W	Selects the endian for the corresponding area.
5	LE5	0	R/W	0: Data format of area n is specified as big endian
4	LE4	0	R/W	1: Data format of area n is specified as little endian
3	LE3	0	R/W	(n = 7 to 2)
2	LE2	0	R/W	
1, 0	—	All 0	R	Reserved These are read-only bits and cannot be modified.

### 6.2.10 SRAM Mode Control Register (SRAMCR)

SRAMCR specifies the bus interface of each area in the external address space as a basic bus interface or a byte control SRAM interface.

In areas specified as 8-bit access space by ABWCR, the SRAMCR setting is ignored and the byte control SRAM interface cannot be specified.

Bit	15	14	13	12	11	10	9	8
Bit Name	BCSEL7	BCSEL6	BCSEL5	BCSEL4	BCSEL3	BCSEL2	BCSEL1	BCSEL0
Initial Value	0	0	0	0	0	0	0	0
R/W	R/W	R/W	R/W	R/W	R/W	R/W	R/W	R/W
Bit	7	6	5	4	3	2	1	0
Bit Name	—	—	—	—	—	—	—	—
Initial Value	0	0	0	0	0	0	0	0
R/W	R	R	R	R	R	R	R	R

Bit	Bit Name	Initial Value	R/W	Description
15	BCSEL7	0	R/W	Byte Control SRAM Interface Select
14	BCSEL6	0	R/W	Selects the bus interface for the corresponding area.
13	BCSEL5	0	R/W	When setting the area n bit to 1, the bus interface selection bits for the corresponding area in BROMCR and MPXCR should be cleared to 0.
12	BCSEL4	0	R/W	
11	BCSEL3	0	R/W	0: Area n is basic bus interface
10	BCSEL2	0	R/W	1: Area n is byte control SRAM interface
9	BCSEL1	0	R/W	(n = 7 to 0)
8	BCSEL0	0	R/W	
7 to 0	—	All 0	R	Reserved
These are read-only bits and cannot be modified.				



### 6.2.11 Burst ROM Interface Control Register (BROMCR)

BROMCR specifies the burst ROM interface.

Bit	15	14	13	12	11	10	9	8
Bit Name	BSRM0	BSTS02	BSTS01	BSTS00	—	—	BSWD01	BSWD00
Initial Value	0	0	0	0	0	0	0	0
R/W	R/W	R/W	R/W	R/W	R	R	R/W	R/W
Bit	7	6	5	4	3	2	1	0
Bit Name	BSRM1	BSTS12	BSTS11	BSTS10	—	—	BSWD11	BSWD10
Initial Value	0	0	0	0	0	0	0	0
R/W	R/W	R/W	R/W	R/W	R	R	R/W	R/W

Bit	Bit Name	Initial Value	R/W	Description
15	BSRM0	0	R/W	Area 0 Burst ROM Interface Select Selects the area 0 bus interface. When setting this bit to 1, clear the BCSEL0 bit in SRAMCR to 0. 0: Basic bus interface or byte control SRAM interface 1: Burst ROM interface
14	BSTS02	0	R/W	Area 0 Burst Cycle Select
13	BSTS01	0	R/W	Specifies the number of burst cycles of area 0
12	BSTS00	0	R/W	000: 1 cycle 001: 2 cycles 010: 3 cycles 011: 4 cycles 100: 5 cycles 101: 6 cycles 110: 7 cycles 111: 8 cycles
11, 10	—	All 0	R	Reserved These are read-only bits and cannot be modified.

Bit	Bit Name	Initial Value	R/W	Description
9	BSWD01	0	R/W	Area 0 Burst Word Number Select
8	BSWD00	0	R/W	Selects the number of words in burst access to the area 0 burst ROM interface 00: Up to 4 words (8 bytes) 01: Up to 8 words (16 bytes) 10: Up to 16 words (32 bytes) 11: Up to 32 words (64 bytes)
7	BSRM1	0	R/W	Area 1 Burst ROM Interface Select Selects the area 1 bus interface. When setting this bit to 1, clear the BCSEL1 bit in SRAMCR to 0. 0: Basic bus interface or byte control SRAM interface 1: Burst ROM interface
6	BSTS12	0	R/W	Area 1 Burst Cycle Select
5	BSTS11	0	R/W	Specifies the number of cycles of area 1 burst cycle
4	BSTS10	0	R/W	000: 1 cycle 001: 2 cycles 010: 3 cycles 011: 4 cycles 100: 5 cycles 101: 6 cycles 110: 7 cycles 111: 8 cycles
3, 2	—	All 0	R	Reserved These are read-only bits and cannot be modified.
1	BSWD11	0	R/W	Area 1 Burst Word Number Select
0	BSWD10	0	R/W	Selects the number of words in burst access to the area 1 burst ROM interface 00: Up to 4 words (8 bytes) 01: Up to 8 words (16 bytes) 10: Up to 16 words (32 bytes) 11: Up to 32 words (64 bytes)

## 6.2.12 Address/Data Multiplexed I/O Control Register (MPXCR)

MPXCR specifies the address/data multiplexed I/O interface.

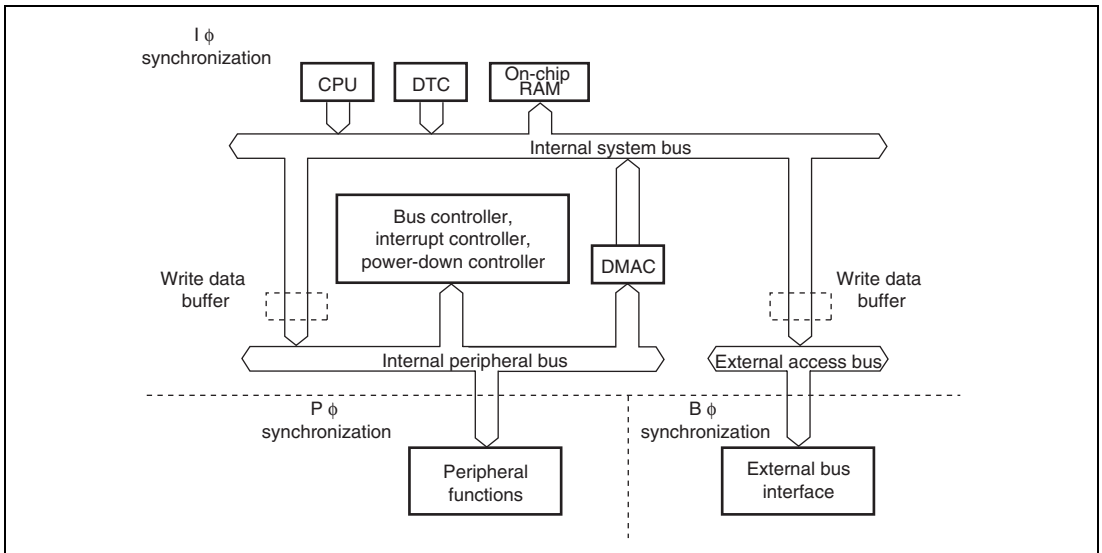
Bit	15	14	13	12	11	10	9	8
Bit Name	MPXE7	MPXE6	MPXE5	MPXE4	MPXE3	—	—	—
Initial Value	0	0	0	0	0	0	0	0
R/W	R/W	R/W	R/W	R/W	R/W	R	R	R
Bit	7	6	5	4	3	2	1	0
Bit Name	—	—	—	—	—	—	—	ADDEX
Initial Value	0	0	0	0	0	0	0	0
R/W	R	R	R	R	R	R	R	R/W

Bit	Bit Name	Initial Value	R/W	Description
15	MPXE7	0	R/W	Address/Data Multiplexed I/O Interface Select
14	MPXE6	0	R/W	Specifies the bus interface for the corresponding area.
13	MPXE5	0	R/W	When setting the area n bit to 1, clear the BCSELn bit in SRAMCR to 0.
12	MPXE4	0	R/W	
11	MPXE3	0	R/W	0: Area n is specified as a basic interface or a byte control SRAM interface. 1: Area n is specified as an address/data multiplexed I/O interface (n = 7 to 3)
10 to 1	—	All 0	R	Reserved These are read-only bits and cannot be modified.
0	ADDEX	0	R/W	Address Output Cycle Extension Specifies whether a wait cycle is inserted for the address output cycle of address/data multiplexed I/O interface. 0: No wait cycle is inserted for the address output cycle 1: One wait cycle is inserted for the address output cycle

### 6.3 Bus Configuration

Figure 6.4 shows the internal bus configuration of this LSI. The internal bus of this LSI consists of the following three types.

- Internal system bus  
A bus that connects the CPU, DTC, DMAC, on-chip RAM, internal peripheral bus, and external access bus.
- Internal peripheral bus  
A bus that accesses registers in the bus controller, interrupt controller, and DMAC, and registers of peripheral modules such as SCI and timer.
- External access cycle  
A bus that accesses external devices via the external bus interface.



**Figure 6.4 Internal Bus Configuration**

## 6.4 Multi-Clock Function and Number of Access Cycles

The internal functions of this LSI operate synchronously with the system clock ( $I\phi$ ), the peripheral module clock ( $P\phi$ ), or the external bus clock ( $B\phi$ ). Table 6.1 shows the synchronization clock and their corresponding functions.

**Table 6.1 Synchronization Clocks and Their Corresponding Functions**

Synchronization Clock	Function Name
$I\phi$	MCU operating mode Interrupt controller Bus controller CPU DMAC DTC Internal memory Clock pulse generator Power down control
$P\phi$	I/O ports TPU PPG TMR WDT SCI A/D D/A
$B\phi$	External bus interface

The frequency of each synchronization clock ( $I\phi$ ,  $P\phi$ , and  $B\phi$ ) is specified by the system clock control register (SCKCR) independently. For further details, see section 18, Clock Pulse Generator.

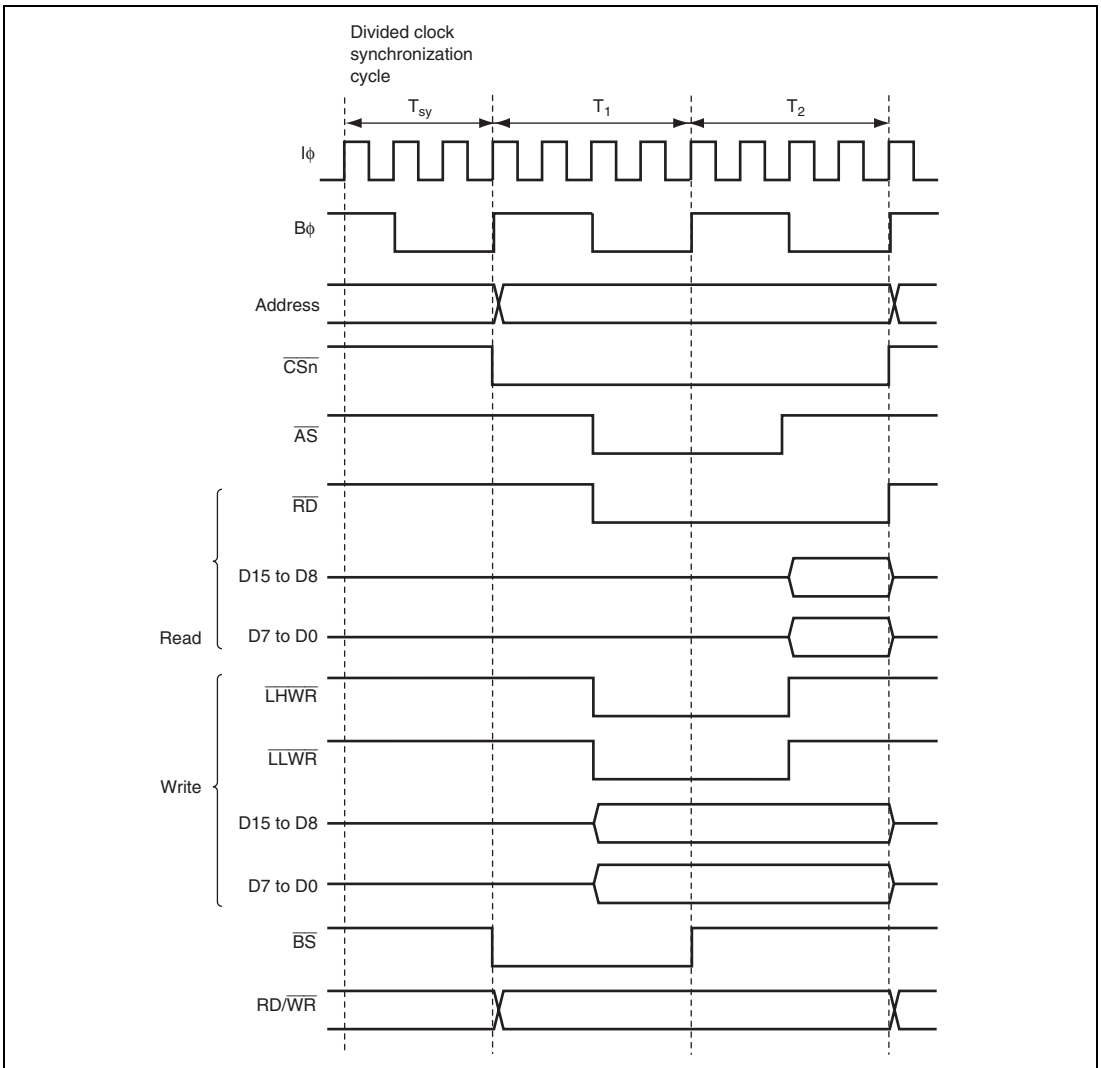
There will be cases when  $P\phi$  and  $B\phi$  are equal to  $I\phi$  and when  $P\phi$  and  $B\phi$  are different from  $I\phi$  according to the SCKCR specifications. In any case, access cycles for internal peripheral functions and external space is performed synchronously with  $P\phi$  and  $B\phi$ , respectively.

For example, in an external address access where the frequency rate of  $I\phi$  and  $B\phi$  is  $n : 1$ , the operation is performed in synchronization with  $B\phi$ . In this case, external 2-state access space is  $2n$  cycles and external 3-state access space is  $3n$  cycles (no wait cycles is inserted) if the number of access cycles is counted based on  $I\phi$ .

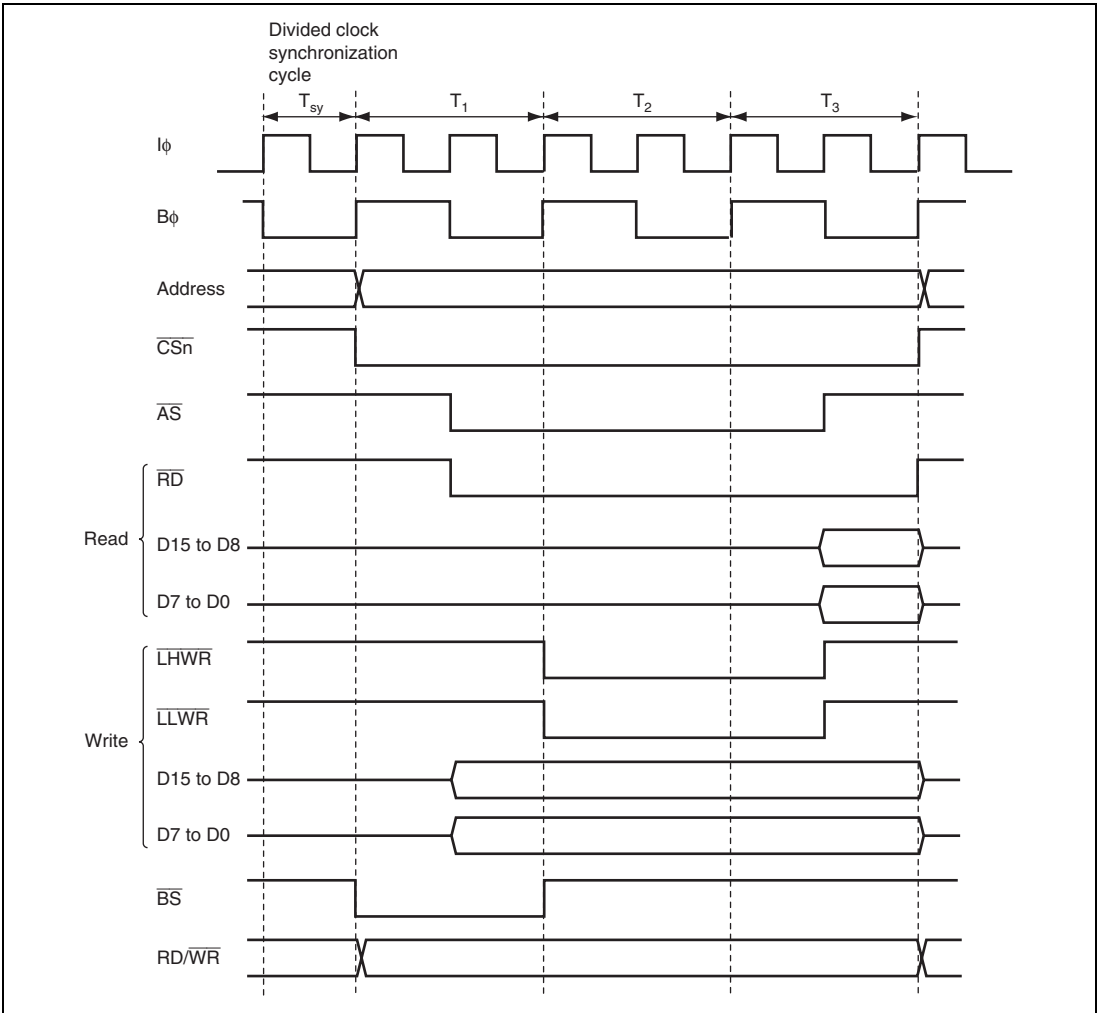
If the frequencies of  $I\phi$ ,  $P\phi$  and  $B\phi$  are different, the start of bus cycle may not synchronize with  $P\phi$  or  $B\phi$  according to the bus cycle initiation timing. In this case, clock synchronization cycle ( $T_{sy}$ ) is inserted at the beginning of each bus cycle.

For example, if an external address access occurs when the frequency rate of  $I\phi$  and  $B\phi$  is  $n : 1$ , 0 to  $n-1$  cycles of  $T_{sy}$  may be inserted. If an internal peripheral module access occurs when the frequency rate of  $I\phi$  and  $P\phi$  is  $m : 1$ , 0 to  $m-1$  cycles of  $T_{sy}$  may be inserted.

Figure 6.5 shows the external 2-state access timing when the frequency rate of  $I\phi$  and  $B\phi$  is 4 : 1. Figure 6.6 shows the external 3-state access timing when the frequency rate of  $I\phi$  and  $B\phi$  is 2 : 1.



**Figure 6.5 System Clock: External Bus Clock = 4:1, External 2-State Access**



**Figure 6.6 System Clock: External Bus Clock = 2:1, External 3-State Access**



## 6.5 External Bus

### 6.5.1 Input/Output Pins

Table 6.2 shows the pin configuration of the bus controller and table 6.3 shows the pin functions on each interface.

**Table 6.2 Pin Configuration**

Name	Symbol	I/O	Function
Bus cycle start	$\overline{BS}$	Output	Signal indicating that the bus cycle has started
Address strobe/address hold	$\overline{AS/AH}$	Output	<ul style="list-style-type: none"> <li>Strobe signal indicating that the basic bus, byte control SRAM, or burst ROM space is accessed and address output on address bus is enabled</li> <li>Signal to hold the address during access to the address/data multiplexed I/O interface</li> </ul>
Read strobe	$\overline{RD}$	Output	Strobe signal indicating that the basic bus, byte control SRAM, burst ROM, or address/data multiplexed I/O space is being read
Read/write	$RD/\overline{WR}$	Output	<ul style="list-style-type: none"> <li>Signal indicating the input or output direction</li> <li>Write enable signal of the SRAM during access to the byte control SRAM space</li> </ul>
Low-high write/lower-upper byte select	$LHWR/LUB$	Output	<ul style="list-style-type: none"> <li>Strobe signal indicating that the basic bus, burst ROM, or address/data multiplexed I/O space is written to, and the upper byte (D15 to D8) of data bus is enabled</li> <li>Strobe signal indicating that the byte control SRAM space is accessed, and the upper byte (D15 to D8) of data bus is enabled</li> </ul>

Name	Symbol	I/O	Function
Low-low write/lower-lower byte select	$\overline{\text{LLWR}}/\overline{\text{LLB}}$	Output	<ul style="list-style-type: none"> <li>Strobe signal indicating that the basic bus, burst ROM, or address/data multiplexed I/O space is written to, and the lower byte (D7 to D0) of data bus is enabled</li> <li>Strobe signal indicating that the byte control SRAM space is accessed, and the lower byte (D7 to D0) of data bus is enabled</li> </ul>
Chip select 0	$\overline{\text{CS0}}$	Output	Strobe signal indicating that area 0 is selected
Chip select 1	$\overline{\text{CS1}}$	Output	Strobe signal indicating that area 1 is selected
Chip select 2	$\overline{\text{CS2}}$	Output	Strobe signal indicating that area 2 is selected
Chip select 3	$\overline{\text{CS3}}$	Output	Strobe signal indicating that area 3 is selected
Chip select 4	$\overline{\text{CS4}}$	Output	Strobe signal indicating that area 4 is selected
Chip select 5	$\overline{\text{CS5}}$	Output	Strobe signal indicating that area 5 is selected
Chip select 6	$\overline{\text{CS6}}$	Output	Strobe signal indicating that area 6 is selected
Chip select 7	$\overline{\text{CS7}}$	Output	Strobe signal indicating that area 7 is selected
Wait	$\overline{\text{WAIT}}$	Input	Wait request signal when accessing external address space.
Bus request	$\overline{\text{BREQ}}$	Input	Request signal for release of bus to external bus master
Bus request acknowledge	$\overline{\text{BACK}}$	Output	Acknowledge signal indicating that bus has been released to external bus master
Bus request output	$\overline{\text{BREQO}}$	Output	External bus request signal used when internal bus master accesses external address space in the external-bus released state
Data transfer acknowledge 3 (DMAC_3)	$\overline{\text{DACK3}}$	Output	Data transfer acknowledge signal for DMAC_3 single address transfer

Name	Symbol	I/O	Function
Data transfer acknowledge 2 (DMAC_2)	$\overline{\text{DACK2}}$	Output	Data transfer acknowledge signal for DMAC_2 single address transfer
Data transfer acknowledge 1 (DMAC_1)	$\overline{\text{DACK1}}$	Output	Data transfer acknowledge signal for DMAC_1 single address transfer
Data transfer acknowledge 0 (DMAC_0)	$\overline{\text{DACK0}}$	Output	Data transfer acknowledge signal for DMAC_0 single address transfer
External bus clock	$\text{B}\phi$	Output	External bus clock

Table 6.3 Pin Functions in Each Interface

Pin Name	Initial State		Single-Chip	Basic Bus		Byte Control SRAM		Burst ROM		Address/Data Multiplexed I/O		Remarks
	16	8		16	8	16	16	8	16	8		
$\text{B}\phi$	Output	Output	—	O	O	O	O	O	O	O	O	
$\overline{\text{CS0}}$	Output	Output	—	O	O	O	O	O	O	—	—	
$\overline{\text{CS1}}$	—	—	—	O	O	O	O	O	O	—	—	
$\overline{\text{CS2}}$	—	—	—	O	O	O	—	—	—	—	—	
$\overline{\text{CS3}}$	—	—	—	O	O	O	—	—	O	O		
$\overline{\text{CS4}}$	—	—	—	O	O	O	—	—	O	O		
$\overline{\text{CS5}}$	—	—	—	O	O	O	—	—	O	O		
$\overline{\text{CS6}}$	—	—	—	O	O	O	—	—	O	O		
$\overline{\text{CS7}}$	—	—	—	O	O	O	—	—	O	O		
BS	—	—	—	O	O	O	O	O	O	O	O	
$\overline{\text{RD}}/\overline{\text{WR}}$	—	—	—	O	O	O	O	O	O	O	O	
$\overline{\text{AS}}$	Output	Output	—	O	O	O	O	O	—	—		
AH	—	—	—	—	—	—	—	—	O	O		
$\overline{\text{RD}}$	Output	Output	—	O	O	O	O	O	O	O	O	
$\overline{\text{LHWR}}/\overline{\text{LUB}}$	Output	Output	—	O	—	O	O	—	O	—		
$\overline{\text{LLWR}}/\overline{\text{LLB}}$	Output	Output	—	O	O	O	O	O	O	O	O	
WAIT	—	—	—	O	O	O	O	O	O	O	O	Controlled by WAITE

[Legend]

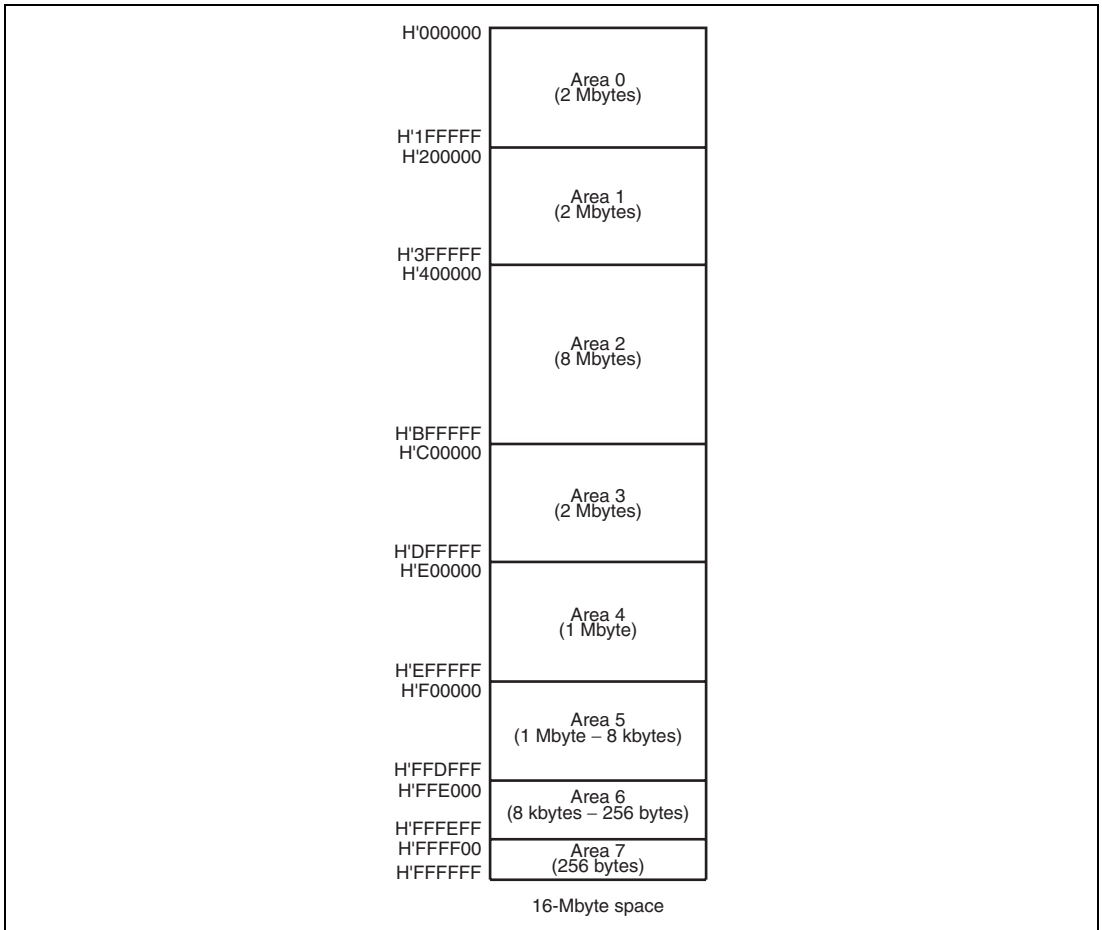
O: Used as a bus control signal

—: Not used as a bus control signal (used as a port input when initialized)

## 6.5.2 Area Division

The bus controller divides the 16-Mbyte address space into eight areas, and performs bus control for the external address space in area units. Chip select signals ( $\overline{CS0}$  to  $\overline{CS7}$ ) can be output for each area.

Figure 6.7 shows an area division of the 16-Mbyte address space. For details on address map, see section 3, MCU Operating Modes.



**Figure 6.7 Address Space Area Division**

### 6.5.3 Chip Select Signals

This LSI can output chip select signals ( $\overline{CS0}$  to  $\overline{CS7}$ ) for areas 0 to 7. The signal outputs low when the corresponding external address space area is accessed. Figure 6.8 shows an example of  $\overline{CSn}$  ( $n = 0$  to 7) signal output timing.

Enabling or disabling of  $\overline{CSn}$  signal output is set by the port function control register (PFCR). For details, see section 9.3, Port Function Controller.

In on-chip ROM disabled extended mode, pin  $\overline{CS0}$  is placed in the output state after a reset. Pins  $\overline{CS1}$  to  $\overline{CS7}$  are placed in the input state after a reset and so the corresponding PFCR bits should be set to 1 when outputting signals  $\overline{CS1}$  to  $\overline{CS7}$ .

In on-chip ROM enabled extended mode, pins  $\overline{CS0}$  to  $\overline{CS7}$  are all placed in the input state after a reset and so the corresponding PFCR bits should be set to 1 when outputting signals  $\overline{CS0}$  to  $\overline{CS7}$ .

The PFCR can specify multiple  $\overline{CS}$  outputs for a pin. If multiple  $\overline{CSn}$  outputs are specified for a single pin by the PFCR,  $\overline{CS}$  to be output are generated by mixing all the  $\overline{CS}$  signals. In this case, the settings for the external bus interface areas in which the  $\overline{CSn}$  signals are output to a single pin should be the same.

Figure 6.9 shows the signal output timing when the  $\overline{CS}$  signals to be output to areas 5 and 6 are output to the same pin.

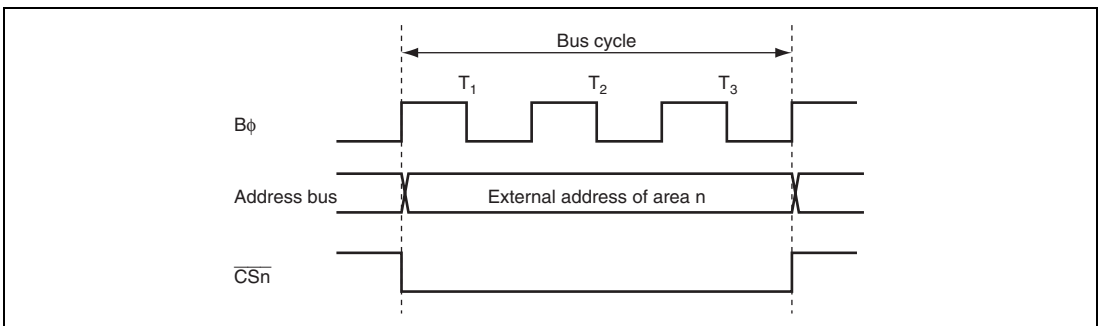
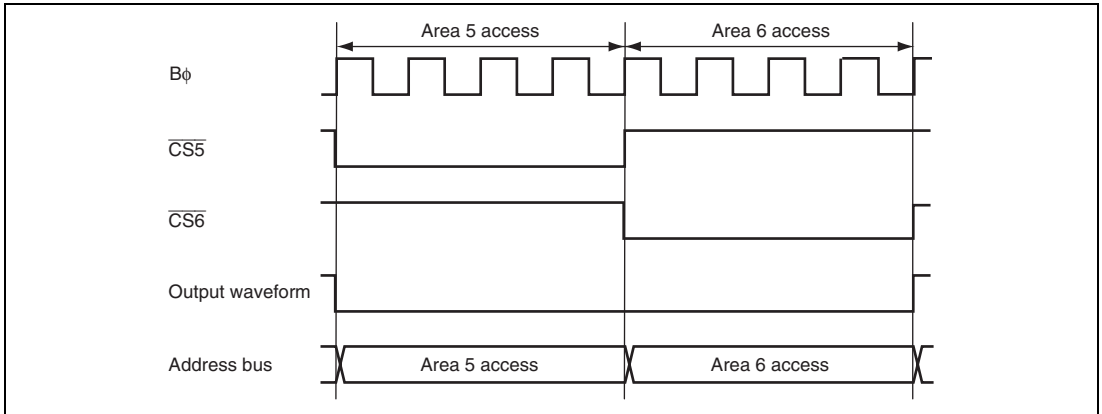


Figure 6.8  $\overline{CSn}$  Signal Output Timing ( $n = 0$  to 7)



**Figure 6.9 Timing When  $\overline{CS}$  Signal is Output to the Same Pin**

### 6.5.4 External Bus Interface

The type of the external bus interfaces, bus width, endian format, number of access cycles, and strobe assert/negate timings can be set for each area in the external address space. The bus width and the number of access cycles for both on-chip memory and internal I/O registers are fixed, and are not affected by the external bus settings.

#### (1) Type of External Bus Interface

Four types of external bus interfaces are provided and can be selected in area units. Table 6.4 shows each interface name, description, and area name to be set for each interface. Table 6.5 shows the areas that can be specified for each interface. The initial state of each area is a basic bus interface.

**Table 6.4 Interface Names and Area Names**

Interface	Description	Area Name
Basic interface	Directly connected to ROM and RAM	Basic bus space
Byte control SRAM interface	Directly connected to byte SRAM with byte control pin	Byte control SRAM space
Burst ROM interface	Directly connected to the ROM that allows page access	Burst ROM space
Address/data multiplexed I/O interface	Directly connected to the peripheral LSI that requires address and data multiplexing	Address/data multiplexed I/O space

**Table 6.5 Areas Specifiable for Each Interface**

Interface	Related Registers	Areas							
		0	1	2	3	4	5	6	7
Basic interface	SRAMCR	○	○	○	○	○	○	○	○
Byte control SRAM interface		○	○	○	○	○	○	○	○
Burst ROM interface	BROMCR	○	○	—	—	—	—	—	—
Address/data multiplexed I/O interface	MPXCR	—	—	—	○	○	○	○	○

**(2) Bus Width**

A bus width of 8 or 16 bits can be selected with ABWCR. An area for which an 8-bit bus is selected functions as an 8-bit access space and an area for which a 16-bit bus is selected functions as a 16-bit access space. In addition, the bus width of address/data multiplexed I/O space is 8 bits or 16 bits, and the bus width for the byte control SRAM space is 16 bits.

The initial state of the bus width is specified by the operating mode.

If all areas are designated as 8-bit access space, 8-bit bus mode is set; if any area is designated as 16-bit access space, 16-bit bus mode is set.

**(3) Endian Format**

Though the endian format of this LSI is big endian, data can be converted into little endian format when reading or writing to the external address space.

Areas 7 to 2 can be specified as either big endian or little endian format by the LE7 to LE2 bits in ENDIANCR.

The initial state of each area is the big endian format.

Note that the data format for the areas used as a program area or a stack area should be big endian.

#### (4) Number of Access Cycles

##### 1. Basic Bus Interface

The number of access cycles in the basic bus interface can be specified as two or three cycles by the ASTCR. An area specified as 2-state access is specified as 2-state access space; an area specified as 3-state access is specified as 3-state access space.

For the 2-state access space, a wait cycle insertion is disabled. For the 3-state access space, a program wait (0 to 7 cycles) specified by WTCRA and WTCRB or an external wait by  $\overline{\text{WAIT}}$  can be inserted.

In addition, CSACR can extend the assert periods of the chip select signal and address signal.

$$\begin{aligned} & \text{Number of access cycles in the basic bus interface} \\ & = \text{number of basic cycles (2, 3) + number of program wait cycles (0 to 7)} \\ & \quad + \text{number of } \overline{\text{CS}} \text{ extension cycles (0, 1, 2)} \\ & \quad [+ \text{number of external wait cycles by the } \overline{\text{WAIT}} \text{ pin}] \end{aligned}$$

##### 2. Byte Control SRAM Interface

The number of access cycles in the byte control SRAM interface is the same as that in the basic bus interface.

$$\begin{aligned} & \text{Number of access cycles in byte control SRAM interface} \\ & = \text{number of basic cycles (2, 3) + number of program wait cycles (0 to 7)} \\ & \quad + \text{number of } \overline{\text{CS}} \text{ extension cycles (0, 1, 2)} \\ & \quad [+ \text{number of external wait cycles by the } \overline{\text{WAIT}} \text{ pin}] \end{aligned}$$

##### 3. Burst ROM Interface

The number of access cycles at full access in the burst ROM interface is the same as that in the basic bus interface. The number of access cycles in the burst access can be specified as one to eight cycles by the BSTS bit in BROMCR.

$$\begin{aligned} & \text{Number of access cycles in the burst ROM interface} \\ & = \text{number of basic cycles (2, 3) + number of program wait cycles (0 to 7)} \\ & \quad + \text{number of } \overline{\text{CS}} \text{ extension cycles (0, 1)} \\ & \quad [+ \text{number of external wait cycles by the } \overline{\text{WAIT}} \text{ pin}] \\ & \quad + \text{number of burst access cycles (1 to 8)} \times \text{number of burst accesses (0 to 63)} \end{aligned}$$



#### 4. Address/data multiplexed I/O interface

The number of access cycles in data cycle of the address/data multiplexed I/O interface is the same as that in the basic bus interface. The number of access cycles in address cycle can be specified as two or three cycles by the ADDEX bit in MPXCR.

$$\begin{aligned}
 &\text{Number of access cycles in the address/data multiplexed I/O interface} \\
 &= \text{number of address output cycles (2, 3) + number of data output cycles (2, 3)} \\
 &\quad + \text{number of program wait cycles (0 to 7)} \\
 &\quad + \text{number of } \overline{\text{CS}} \text{ extension cycles (0, 1, 2)} \\
 &\quad [+ \text{number of external wait cycles by the } \overline{\text{WAIT}} \text{ pin}]
 \end{aligned}$$

Table 6.6 lists the number of access cycles for each interface.

**Table 6.6 Number of Access Cycles**

Basic bus interface	=	Th	+T1	+T2			+Tt		
		[0,1]	[1]	[1]			[0,1]	[2 to 4]	
	=	Th	+T1	+T2	+Tpw	+Ttw	+T3	+Tt	
	[0,1]	[1]	[1]	[0 to 7]	[n]	[1]	[0,1]	[3 to 12 + n]	
Byte control SRAM interface	=	Th	+T1	+T2			+Tt		
		[0,1]	[1]	[1]			[0,1]	[2 to 4]	
	=	Th	+T1	+T2	+Tpw	+Ttw	+T3	+Tt	
	[0,1]	[1]	[1]	[0 to 7]	[n]	[1]	[0,1]	[3 to 12 + n]	
Burst ROM interface	=	Th	+T1	+T2			+Tb		
		[0,1]	[1]	[1]			[(1 to 8) × m]	[(2 to 3) + (1 to 8) × m]	
	=	Th	+T1	+T2	+Tpw	+Ttw	+T3	+Tb	
	[0,1]	[1]	[1]	[0 to 7]	[n]	[1]	[(1 to 8) × m]	[(3 to 11 + n) + (1 to 8) × m]	
Address/data multiplexed I/O interface	=	Tma	+Th	+T1	+T2		+Tt		
		[2,3]	[0,1]	[1]	[1]		[0,1]	[4 to 7]	
	=	Tma	+Th	+T1	+T2	+Tpw	+Ttw	+T3	+Tt
	[2,3]	[0,1]	[1]	[1]	[0 to 7]	[n]	[1]	[0,1]	[5 to 15 + n]

[Legend]

Numbers: Number of access cycles

n: Pin wait (0 to ∞)

m: Number of burst accesses (0 to 63)

#### (5) Strobe Assert/Negate Timings

The assert and negate timings of the strobe signals can be modified as well as number of access cycles.

- Read strobe ( $\overline{\text{RD}}$ ) in the basic bus interface
- Chip select assertion period extension cycles in the basic bus interface
- Data transfer acknowledge ( $\overline{\text{DACK3}}$  to  $\overline{\text{DACK0}}$ ) output for DMAC single address transfers

### 6.5.5 Area and External Bus Interface

#### (1) Area 0

Area 0 includes on-chip ROM\*. All of area 0 is used as external address space in on-chip ROM disabled extended mode, and the space excluding on-chip ROM is external address space in on-chip ROM enabled extended mode.

When area 0 external address space is accessed, the  $\overline{CS0}$  signal can be output.

Either of the basic bus interface, byte control SRAM interface, or burst ROM interface can be selected for area 0 by bit BSRM0 in BROMCR and bit BCSEL0 in SRAMCR. Table 6.7 shows the external interface of area 0.

Note: Applied to the LSI version that incorporates the ROM.

**Table 6.7 Area 0 External Interface**

Interface	Register Setting	
	BSRM0 of BROMCR	BCSEL0 of SRAMCR
Basic bus interface	0	0
Byte control SRAM interface	0	1
Burst ROM interface	1	0
Setting prohibited	1	1

#### (2) Area 1

In externally extended mode, all of area 1 is external address space. In on-chip ROM enabled extended mode, the space excluding on-chip ROM\* is external address space.

When area 1 external address space is accessed, the  $\overline{CS1}$  signal can be output.

Either of the basic bus interface, byte control SRAM, or burst ROM interface can be selected for area 1 by bit BSRM1 in BROMCR and bit BCSEL1 in SRAMCR. Table 6.8 shows the external interface of area 1.

Note: Applied to the LSI version that incorporates the ROM.

**Table 6.8 Area 1 External Interface**

Interface	Register Setting	
	BSRM1 of BROMCR	BCSEL1 of SRAMCR
Basic bus interface	0	0
Byte control SRAM interface	0	1
Burst ROM interface	1	0
Setting prohibited	1	1

**(3) Area 2**

In externally extended mode, all of area 2 is external address space.

When area 2 external address space is accessed, the  $\overline{CS2}$  signal can be output.

Either the basic bus interface or byte control SRAM interface can be selected for area 2 by bit BCSEL2 in SRAMCR. Table 6.9 shows the external interface of area 2.

**Table 6.9 Area 2 External Interface**

Interface	Register Setting
	BCSEL2 of SRAMCR
Basic bus interface	0
Byte control SRAM interface	1

**(4) Area 3**

In externally extended mode, all of area 3 is external address space.

When area 3 external address space is accessed, the  $\overline{CS3}$  signal can be output.

Either of the basic bus interface, byte control SRAM interface, or address/data multiplexed I/O interface can be selected for area 3 by bit MPXE3 in MPXCR and bit BCSEL3 in SRAMCR. Table 6.10 shows the external interface of area 3.

**Table 6.10 Area 3 External Interface**

Interface	Register Setting	
	MPXE3 of MPXCR	BCSEL3 of SRAMCR
Basic bus interface	0	0
Byte control SRAM interface	0	1
Address/data multiplexed I/O interface	1	0
Setting prohibited	1	1

**(5) Area 4**

In externally extended mode, all of area 4 is external address space.

When area 4 external address space is accessed, the  $\overline{CS4}$  signal can be output.

Either of the basic bus interface, byte control SRAM interface, or address/data multiplexed I/O interface can be selected for area 4 by bit MPXE4 in MPXCR and bit BCSEL4 in SRAMCR.

Table 6.11 shows the external interface of area 4.

**Table 6.11 Area 4 External Interface**

Interface	Register Setting	
	MPXE4 of MPXCR	BCSEL4 of SRAMCR
Basic bus interface	0	0
Byte control SRAM interface	0	1
Address/data multiplexed I/O interface	1	0
Setting prohibited	1	1

**(6) Area 5**

Area 5 includes the on-chip RAM and access prohibited spaces. In external extended mode, area 5, other than the on-chip RAM and access-prohibited spaces, is external address space. Note that the on-chip RAM is enabled when the RAME bit in SYSCR are set to 1. If the RAME bit in SYSCR is cleared to 0, the on-chip RAM is disabled and the corresponding addresses are an external address space. For details, see section 3, MCU Operating Modes.

When area 5 external address space is accessed, the  $\overline{CS5}$  signal can be output.

Either of the basic bus interface, byte control SRAM interface, or address/data multiplexed I/O interface can be selected for area 5 by the MPXE5 bit in MPXCR and the BCSEL5 bit in SRAMCR. Table 6.12 shows the external interface of area 5.

**Table 6.12 Area 5 External Interface**

Interface	Register Setting	
	MPXE5 of MPXCR	BCSEL5 of SRAMCR
Basic bus interface	0	0
Byte control SRAM interface	0	1
Address/data multiplexed I/O interface	1	0
Setting prohibited	1	1

**(7) Area 6**

Area 6 includes internal I/O registers. In external extended mode, area 6 other than on-chip I/O register area is external address space.

When area 6 external address space is accessed, the  $\overline{CS6}$  signal can be output.

Either of the basic bus interface, byte control SRAM interface, or address/data multiplexed I/O interface can be selected for area 6 by the MPXE6 bit in MPXCR and the BCSEL6 bit in SRAMCR. Table 6.13 shows the external interface of area 6.

**Table 6.13 Area 6 External Interface**

Interface	Register Setting	
	MPXE6 of MPXCR	BCSEL6 of SRAMCR
Basic bus interface	0	0
Byte control SRAM interface	0	1
Address/data multiplexed I/O interface	1	0
Setting prohibited	1	1

**(8) Area 7**

Area 7 includes internal I/O registers. In external extended mode, area 7 other than internal I/O register area is external address space.

When area 7 external address space is accessed, the  $\overline{CS7}$  signal can be output.

Either of the basic bus interface, byte control SRAM interface, or address/data multiplexed I/O interface can be selected for area 7 by the MPXE7 bit in MPXCR and the BCSEL7 bit in SRAMCR. Table 6.14 shows the external interface of area 7.

**Table 6.14 Area 7 External Interface**

Interface	Register Setting	
	MPXE7 of MPXCR	BCSEL7 of SRAMCR
Basic bus interface	0	0
Byte control SRAM interface	0	1
Address/data multiplexed I/O interface	1	0
Setting prohibited	1	1

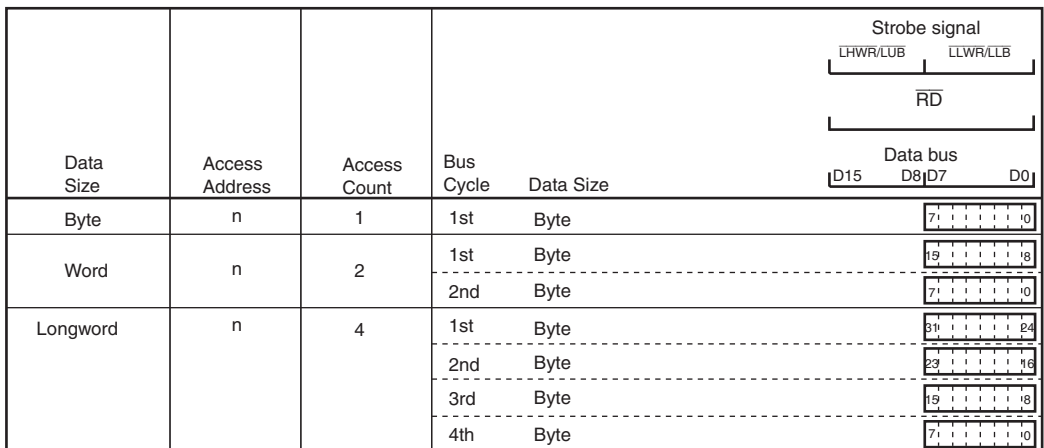
## 6.5.6 Endian and Data Alignment

Data sizes for the CPU and other internal bus masters are byte, word, and longword. The bus controller has a data alignment function, and controls whether the upper byte data bus (D15 to D8) or lower data bus (D7 to D0) is used according to the bus specifications for the area being accessed (8-bit access space or 16-bit access space), the data size, and endian format when accessing external address space.

### (1) 8-Bit Access Space

With the 8-bit access space, the lower byte data bus (D7 to D0) is always used for access. The amount of data that can be accessed at one time is one byte: a word access is performed as two byte accesses, and a longword access, as four byte accesses.

Figures 6.10 and 6.11 illustrate data alignment control for the 8-bit access space. Figure 6.10 shows the data alignment when the data endian format is specified as big endian. Figure 6.11 shows the data alignment when the data endian format is specified as little endian.



**Figure 6.10 Access Sizes and Data Alignment Control for 8-Bit Access Space (Big Endian)**

Data Size	Access Address	Access Count	Bus Cycle	Data Size	Strobe signal	
					LHWR/LUB	LLWR/LLB
					RD	
					Data bus	
					D15	D8:D7
					D0	
Byte	n	1	1st	Byte	7	10
Word	n	2	1st	Byte	7	10
			2nd	Byte	15	18
Longword	n	4	1st	Byte	7	10
			2nd	Byte	15	18
			3rd	Byte	23	16
			4th	Byte	31	24

**Figure 6.11 Access Sizes and Data Alignment Control for 8-Bit Access Space (Little Endian)**

## (2) 16-Bit Access Space

With the 16-bit access space, the upper byte data bus (D15 to D8) and lower byte data bus (D7 to D0) are used for accesses. The amount of data that can be accessed at one time is one byte or one word.

Figures 6.12 and 6.13 illustrate data alignment control for the 16-bit access space. Figure 6.12 shows the data alignment when the data endian format is specified as big endian. Figure 6.13 shows the data alignment when the data endian format is specified as little endian.

In big endian, byte access for an even address is performed by using the upper byte data bus and byte access for an odd address is performed by using the lower byte data bus.

In little endian, byte access for an even address is performed by using the lower byte data bus, and byte access for an odd address is performed by using the upper byte data bus.



Access Size	Access Address	Access Count	Bus Cycle	Data Size	Strobe signal		
					LHWR/LUB	LLWR/LLB	
					RD		
					Data bus		
					D15	D8   D7	D0
Byte	Even (2n)	1	1st	Byte	7   1   1   1   1   1   1   0		
	Odd (2n+1)	1	1st	Byte	7   1   1   1   1   1   1   0		
Word	Even (2n)	1	1st	Word	15   1   1   1   1   1   1   8	7   1   1   1   1   1   1   0	
	Odd (2n+1)	2	1st	Byte	15   1   1   1   1   1   1   8		
			2nd	Byte	7   1   1   1   1   1   1   0		
Longword	Even (2n)	2	1st	Word	31   1   1   1   1   1   1   24	23   1   1   1   1   1   1   16	
			2nd	Word	15   1   1   1   1   1   1   8	7   1   1   1   1   1   1   0	
	Odd (2n+1)	3	1st	Byte	31   1   1   1   1   1   1   24		
			2nd	Word	23   1   1   1   1   1   1   16	15   1   1   1   1   1   1   8	
			3rd	Byte	7   1   1   1   1   1   1   0		

Figure 6.12 Access Sizes and Data Alignment Control for 16-Bit Access Space (Big Endian)

Access Size	Access Address	Access Count	Bus Cycle	Data Size	Strobe signal		
					LHWR/LUB	LLWR/LLB	
					RD		
					Data bus		
					D15	D8   D7	D0
Byte	Even (2n)	1	1st	Byte	7   1   1   1   1   1   1   0		
	Odd (2n+1)	1	1st	Byte	7   1   1   1   1   1   1   0		
Word	Even (2n)	1	1st	Word	15   1   1   1   1   1   1   8	7   1   1   1   1   1   1   0	
	Odd (2n+1)	2	1st	Byte	7   1   1   1   1   1   1   0		
			2nd	Byte	15   1   1   1   1   1   1   8		
Longword	Even (2n)	2	1st	Word	15   1   1   1   1   1   1   8	7   1   1   1   1   1   1   0	
			2nd	Word	31   1   1   1   1   1   1   24	23   1   1   1   1   1   1   16	
	Odd (2n+1)	3	1st	Byte	7   1   1   1   1   1   1   0		
			2nd	Word	23   1   1   1   1   1   1   16	15   1   1   1   1   1   1   8	
			3rd	Byte	31   1   1   1   1   1   1   24		

Figure 6.13 Access Sizes and Data Alignment Control for 16-Bit Access Space (Little Endian)

## 6.6 Basic Bus Interface

The basic bus interface can be connected directly to the ROM and SRAM. The bus specifications can be specified by the ABWCR, ASTCR, WTCRA, WTCRB, RDNCR, CSACR, and ENDINCR.

### 6.6.1 Data Bus

Data sizes for the CPU and other internal bus masters are byte, word, and longword. The bus controller has a data alignment function, and controls whether the upper byte data bus (D15 to D8) or lower byte data bus (D7 to D0) is used according to the bus specifications for the area being accessed (8-bit access space or 16-bit access space), the data size, and endian format when accessing external address space. For details, see section 6.5.6, Endian and Data Alignment.

### 6.6.2 I/O Pins Used for Basic Bus Interface

Table 6.15 shows the pins used for basic bus interface.

**Table 6.15 I/O Pins for Basic Bus Interface**

Name	Symbol	I/O	Function
Bus cycle start	$\overline{BS}$	Output	Signal indicating that the bus cycle has started
Address strobe	$\overline{AS}^*$	Output	Strobe signal indicating that an address output on the address bus is valid during access
Read strobe	$\overline{RD}$	Output	Strobe signal indicating the read access
Read/write	$\overline{RD}/\overline{WR}$	Output	Signal indicating the data bus input or output direction
Low-high write	$\overline{LHWR}$	Output	Strobe signal indicating that the upper byte (D15 to D8) is valid during write access
Low-low write	$\overline{LLWR}$	Output	Strobe signal indicating that the lower byte (D7 to D0) is valid during write access
Chip select 0 to 7	$\overline{CS0}$ to $\overline{CS7}$	Output	Strobe signal indicating that the area is selected
Wait	$\overline{WAIT}$	Input	Wait request signal used when an external address space is accessed

Note: \* When the address/data multiplexed interface is selected, this pin only functions as the  $\overline{AH}$  output and does not function as the  $\overline{AS}$  output.

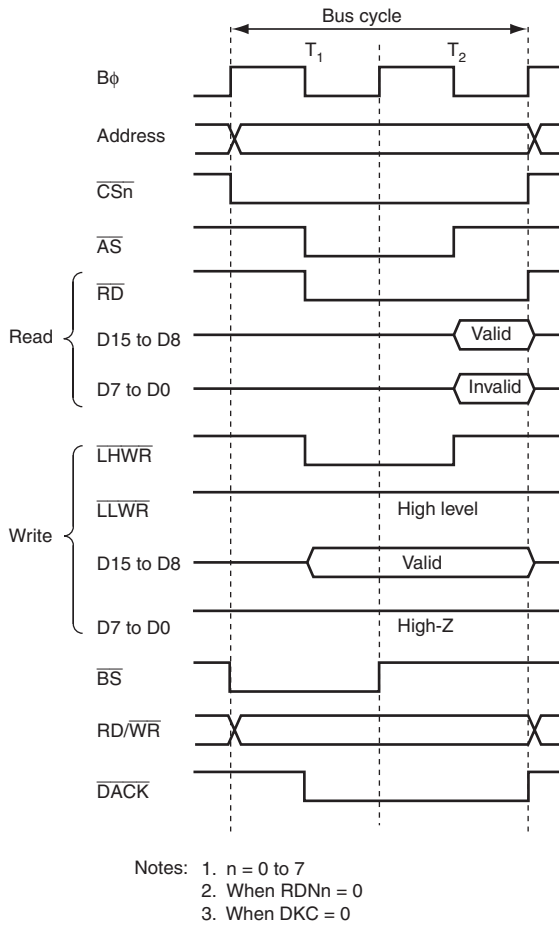
### 6.6.3 Basic Timing

This section describes the basic timing when the data is specified as big endian.

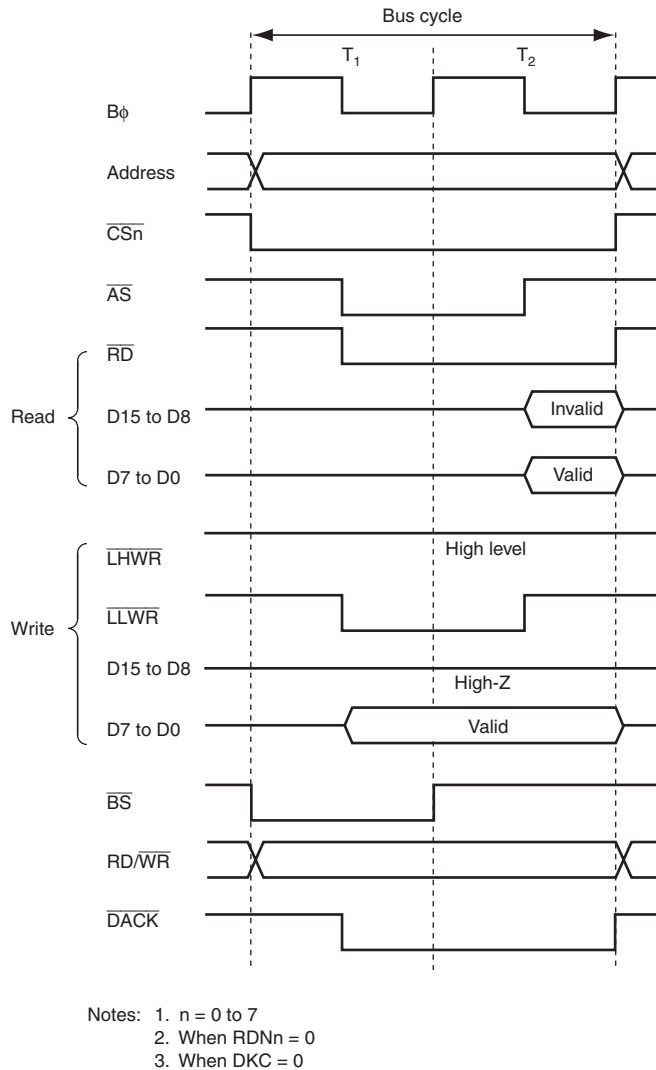
#### (1) 16-Bit 2-State Access Space

Figures 6.14 to 6.16 show the bus timing of 16-bit 2-state access space.

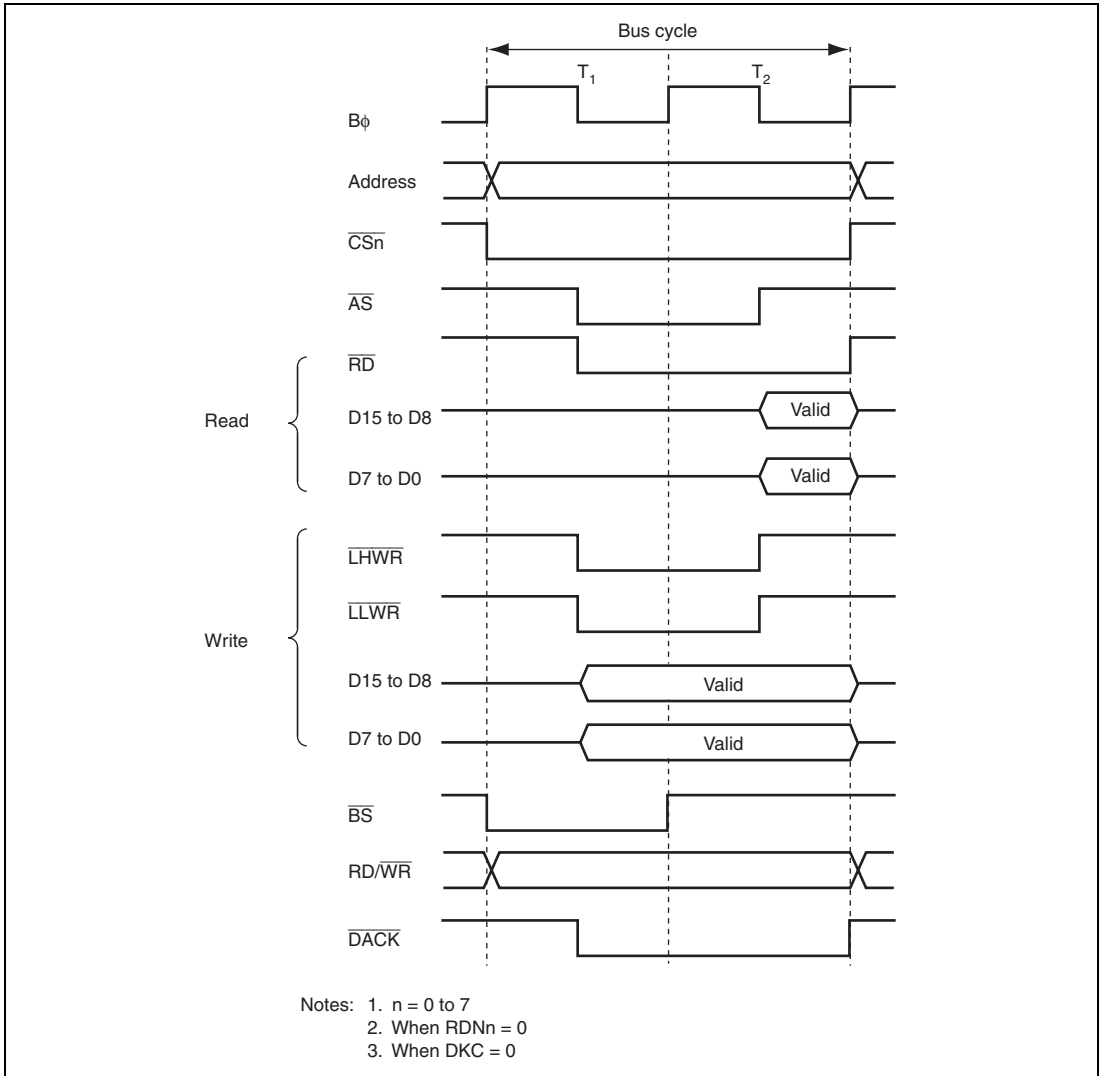
When accessing 16-bit access space, the upper byte data bus (D15 to D8) is used for even addresses access, and the lower byte data bus (D7 to D0) is used for odd addresses. No wait cycles can be inserted.



**Figure 6.14 16-Bit 2-State Access Space Bus Timing  
(Byte Access for Even Address)**



**Figure 6.15 16-Bit 2-State Access Space Bus Timing**  
**(Byte Access for Odd Address)**

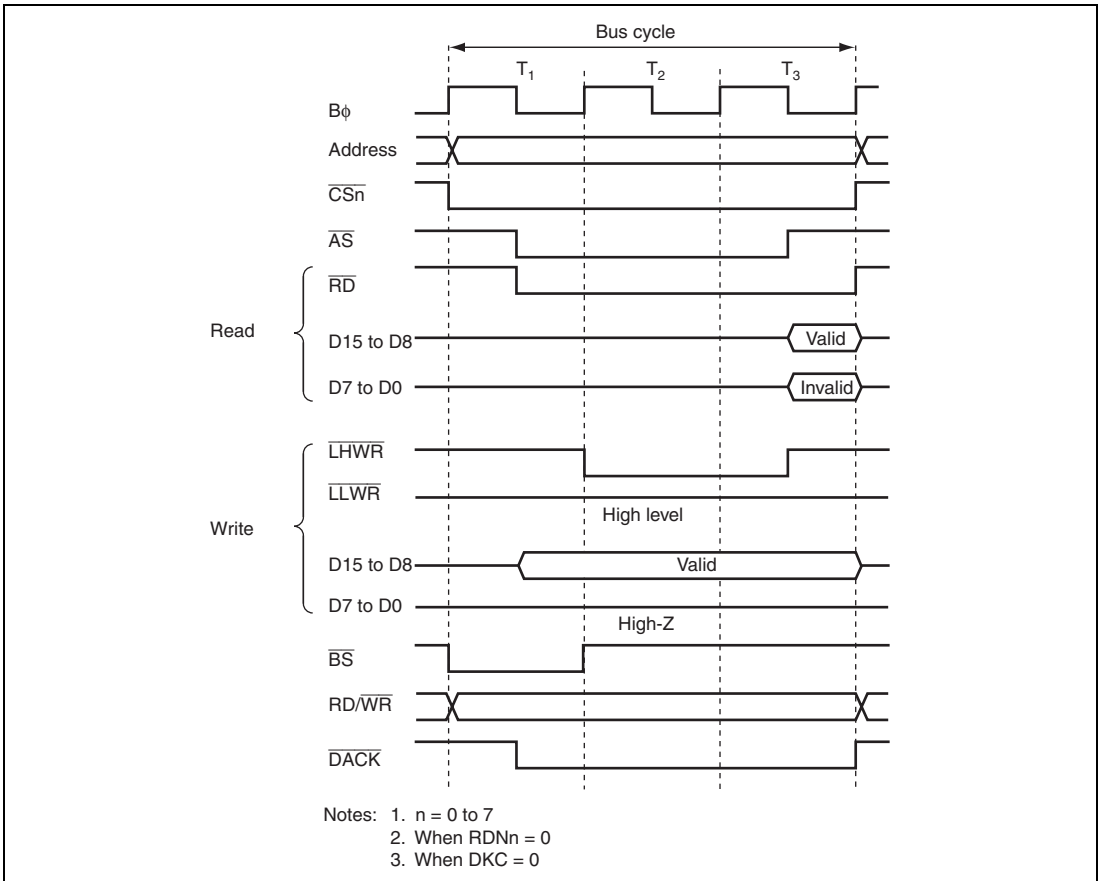


**Figure 6.16 16-Bit 2-State Access Space Bus Timing  
(Word Access for Even Address)**

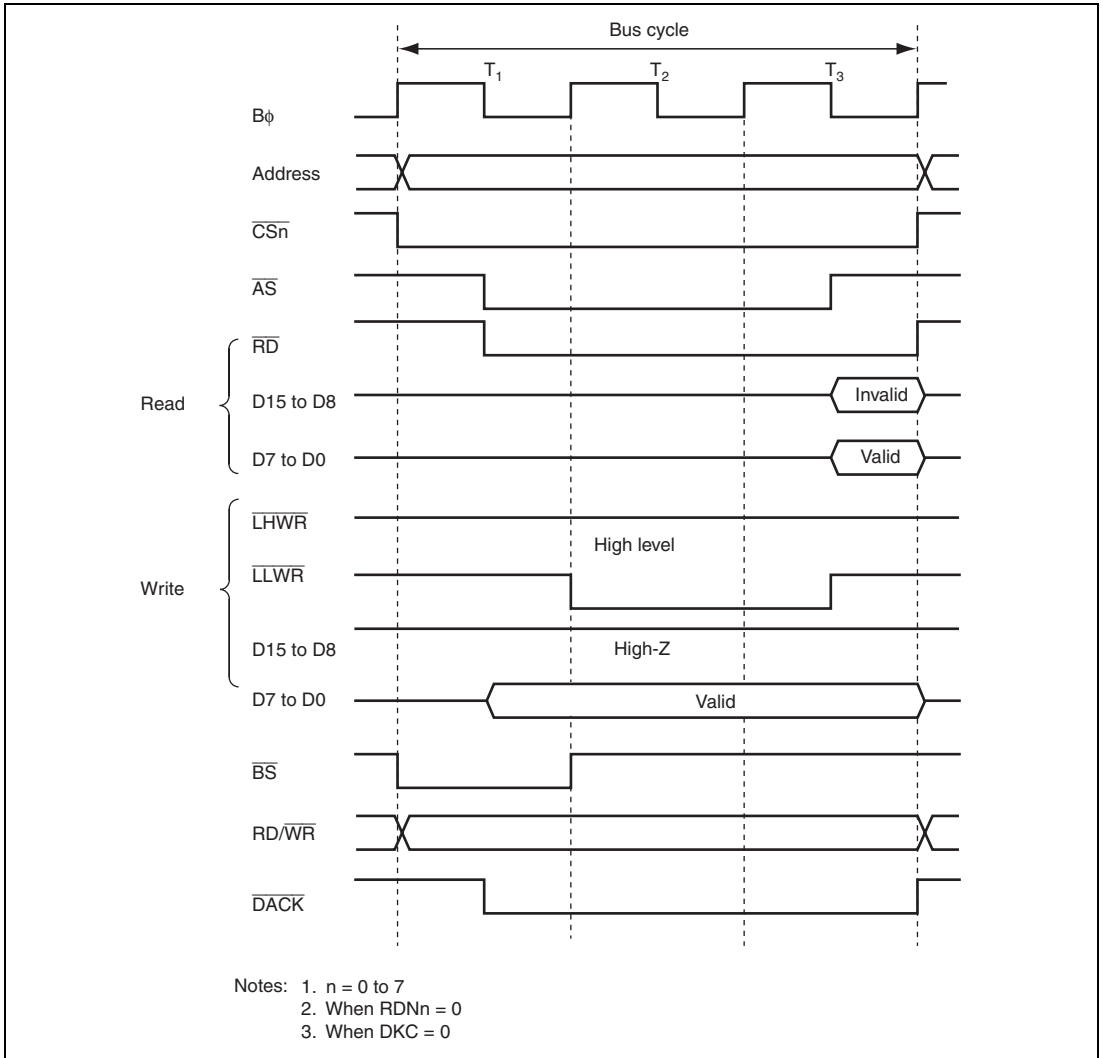
## (2) 16-Bit 3-State Access Space

Figures 6.17 to 6.19 show the bus timing of 16-bit 3-state access space.

When accessing 16-bit access space, the upper byte data bus (D15 to D8) is used for even addresses, and the lower byte data bus (D7 to D0) is used for odd addresses. Wait cycles can be inserted.

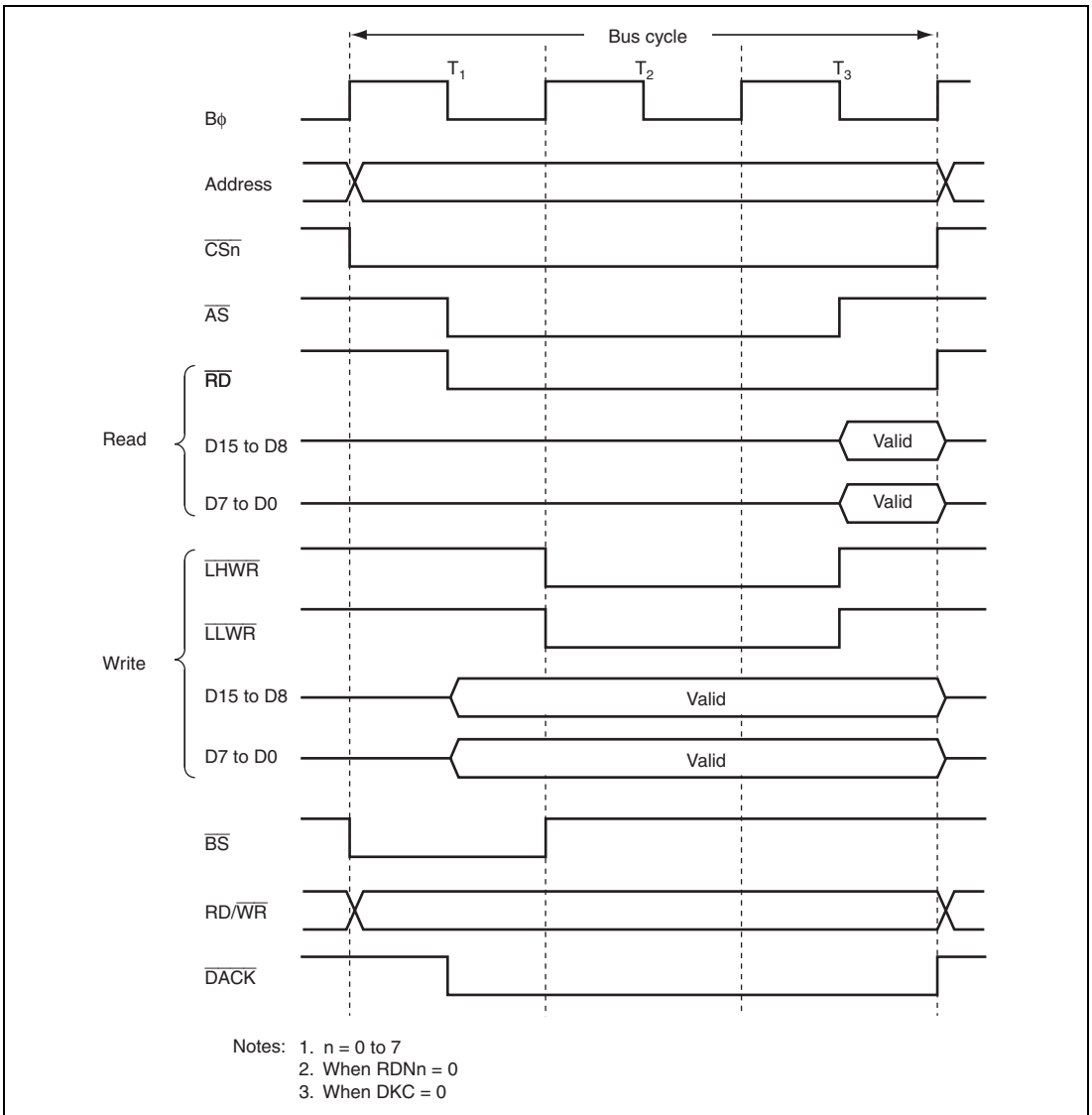


**Figure 6.17 16-Bit 3-State Access Space Bus Timing  
(Byte Access for Even Address)**



**Figure 6.18 16-Bit 3-State Access Space Bus Timing  
(Word Access for Odd Address)**





**Figure 6.19 16-Bit 3-State Access Space Bus Timing  
(Word Access for Even Address)**

### 6.6.4 Wait Control

This LSI can extend the bus cycle by inserting wait cycles ( $T_w$ ) when the external address space is accessed. There are two ways of inserting wait cycles: program wait ( $T_{pw}$ ) insertion and pin wait ( $T_{tw}$ ) insertion using the  $\overline{\text{WAIT}}$  pin.

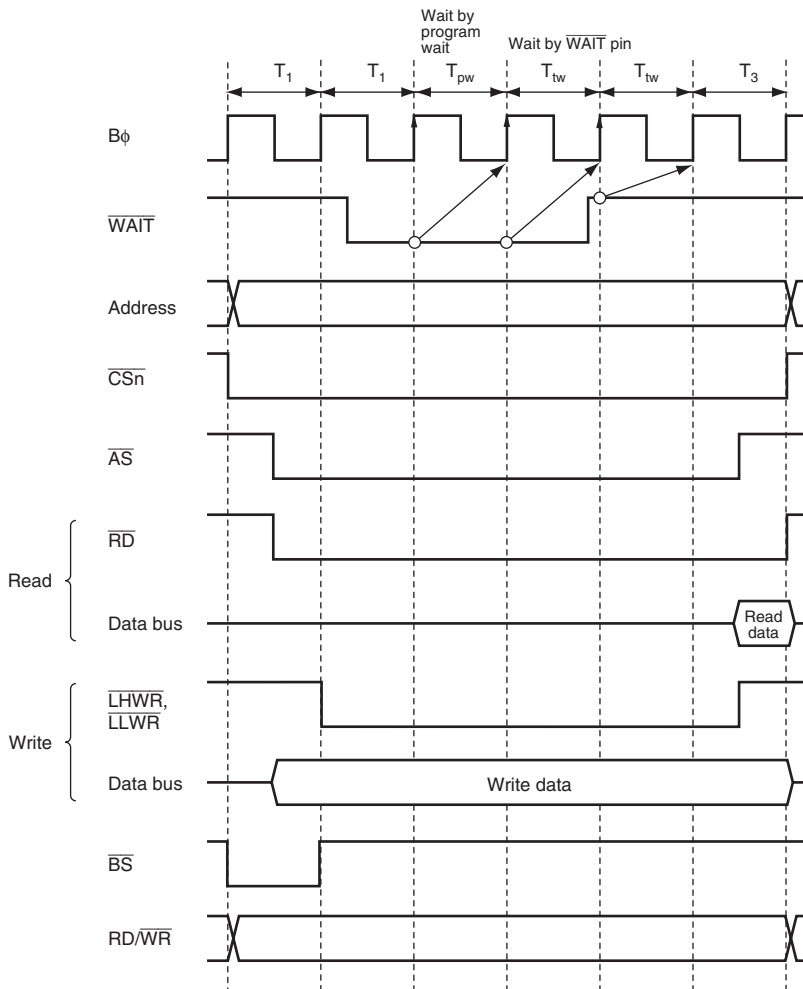
#### (1) Program Wait Insertion

From 0 to 7 wait cycles can be inserted automatically between the  $T_2$  state and  $T_3$  state for 3-state access space, according to the settings in WTCRA and WTCRB.

#### (2) Pin Wait Insertion

For 3-state access space, when the WAITE bit in BCR1 is set to 1 and the ICR bit for the corresponding pin is set to 1, wait input by means of the  $\overline{\text{WAIT}}$  pin is enabled. When the external address space is accessed in this state, a program wait ( $T_{pw}$ ) is first inserted according to the WTCRA and WTCRB settings. If the  $\overline{\text{WAIT}}$  pin is low at the falling edge of  $B\phi$  in the last  $T_2$  or  $T_{pw}$  cycle, another  $T_{tw}$  cycle is inserted until the  $\overline{\text{WAIT}}$  pin is brought high. The pin wait insertion is effective when the  $T_w$  cycles are inserted to seven cycles or more, or when the number of  $T_w$  cycles to be inserted is changed according to the external devices. The WAITE bit is common to all areas. For details on ICR, see section 9, I/O Ports.

Figure 6.20 shows an example of wait cycle insertion timing. After a reset, the 3-state access is specified, the program wait is inserted for seven cycles, and the  $\overline{\text{WAIT}}$  input is disabled.



- Notes:
1. Upward arrows indicate the timing of  $\overline{WAIT}$  pin sampling.
  2.  $n = 0$  to 7
  3.  $RDNn = 0$

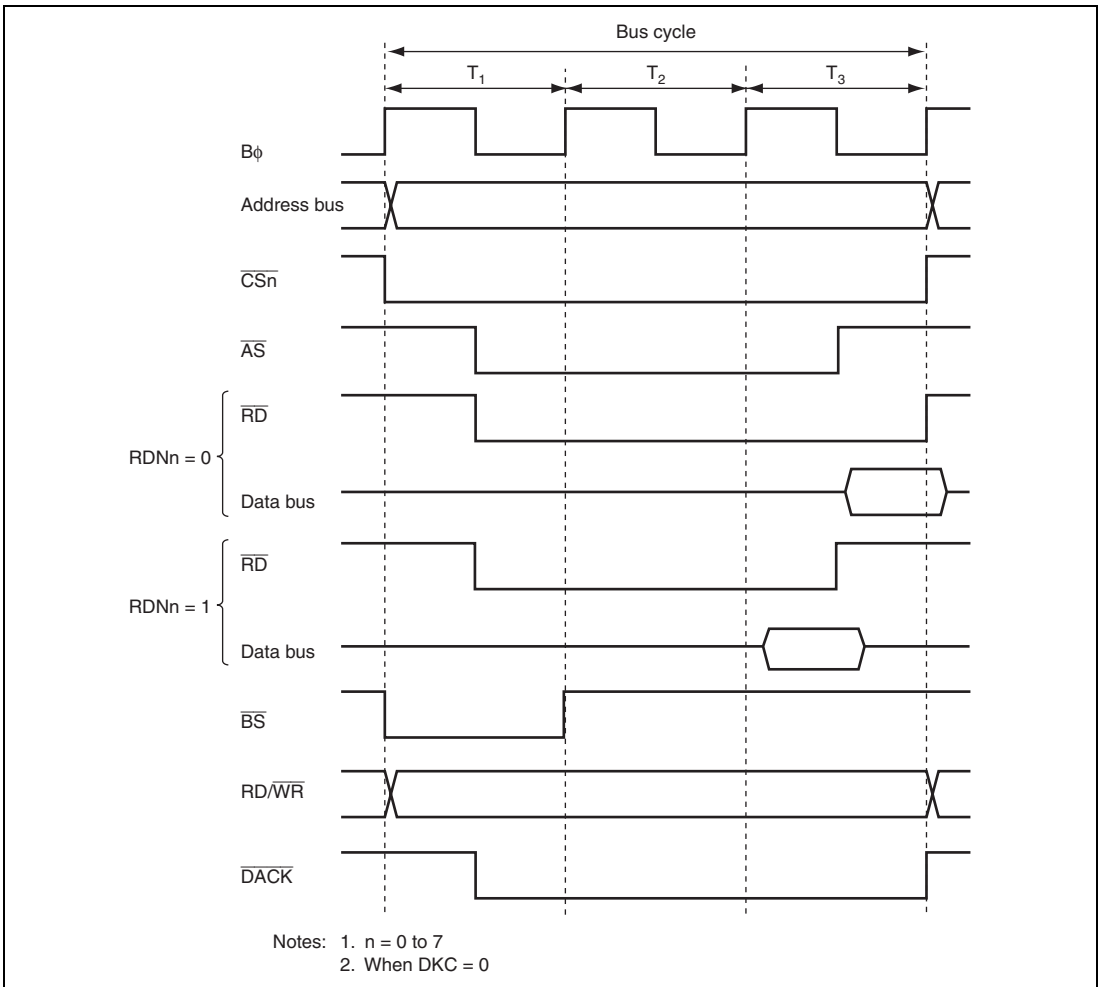
**Figure 6.20 Example of Wait Cycle Insertion Timing**

### 6.6.5 Read Strobe ( $\overline{RD}$ ) Timing

The read strobe timing can be modified in area units by setting bits RDN7 to RDN0 in RDNCR to 1.

Note that the  $\overline{RD}$  timing with respect to the  $\overline{DACK}$  rising edge will change if the read strobe timing is modified by setting RDNn to 1 when the DMAC is used in the single address mode.

Figure 6.21 shows an example of timing when the read strobe timing is changed in the basic bus 3-state access space.



**Figure 6.21 Example of Read Strobe Timing**

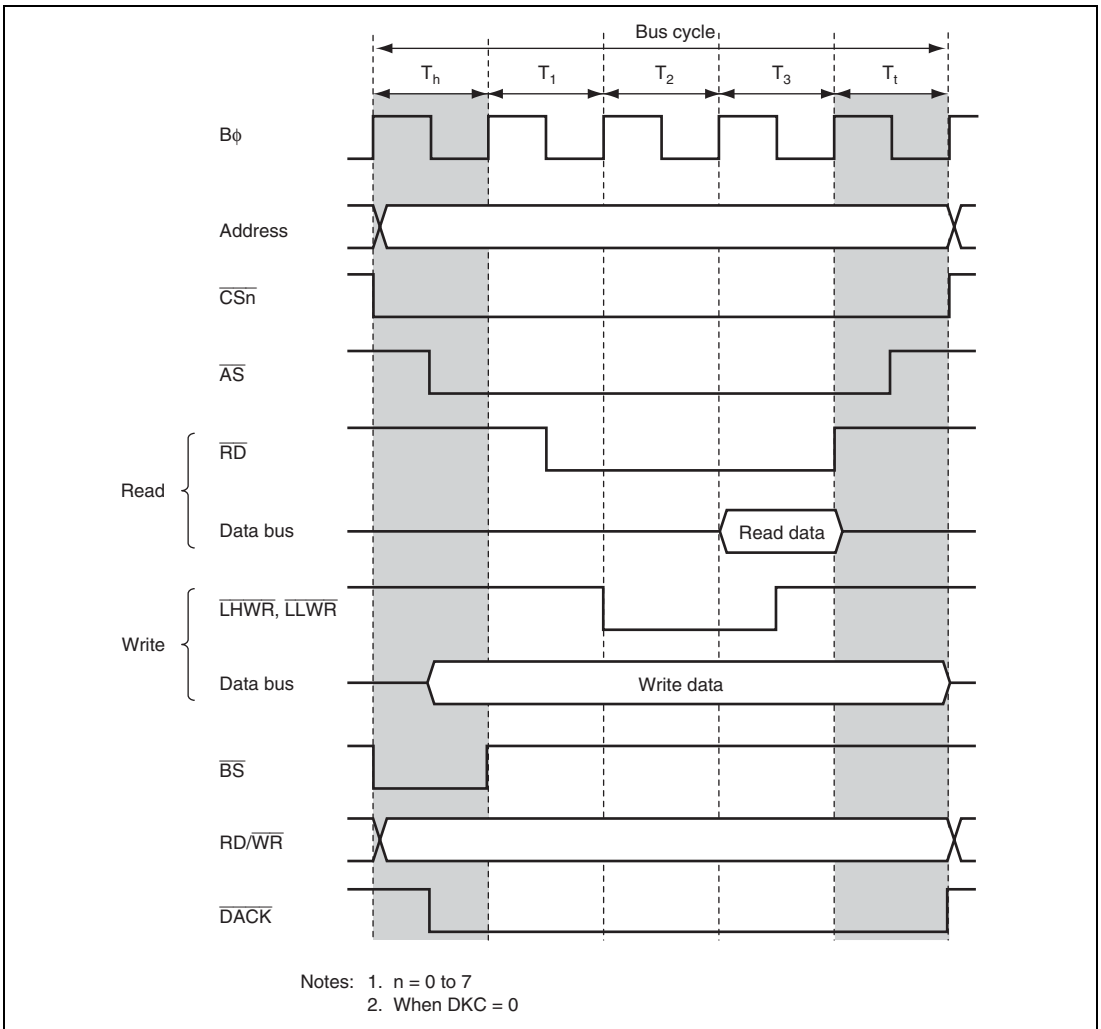
### 6.6.6 Extension of Chip Select ( $\overline{CS}$ ) Assertion Period

Some external I/O devices require a setup time and hold time between address and  $\overline{CS}$  signals and strobe signals such as  $\overline{RD}$ ,  $\overline{LHWR}$ , and  $\overline{LLWR}$ .

Settings can be made in CSACR to insert cycles in which only the  $\overline{CS}$ ,  $\overline{AS}$ , and address signals are asserted before and after a basic bus space access cycle. Extension of the  $\overline{CS}$  assertion period can be set in area units. With the  $\overline{CS}$  assertion extension period in write access, the data setup and hold times are less stringent since the write data is output to the data bus.

Figure 6.22 shows an example of the timing when the  $\overline{CS}$  assertion period is extended in basic bus 3-state access space.

Both extension cycle  $T_h$  inserted before the basic bus cycle and extension cycle  $T_t$  inserted after the basic bus cycle, or only one of these, can be specified for individual areas. Insertion or non-insertion can be specified for the  $T_h$  cycle with the upper eight bits (CSXH7 to CSXH0) in CSACR, and for the  $T_t$  cycle with the lower eight bits (CSXT7 to CSXT0).

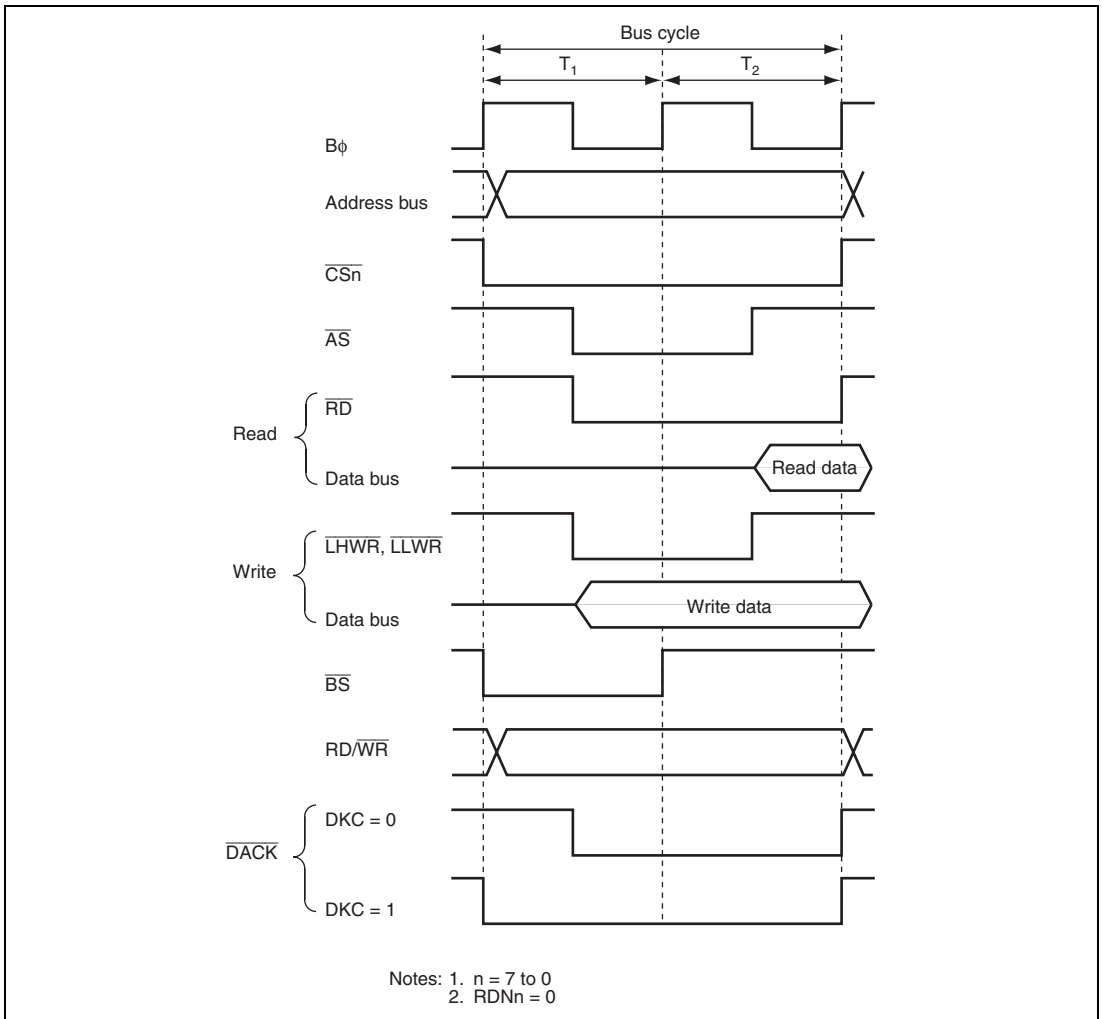


**Figure 6.22 Example of Timing when Chip Select Assertion Period is Extended**

### 6.6.7 $\overline{\text{DACK}}$ Signal Output Timing

For DMAC single address transfers, the  $\overline{\text{DACK}}$  signal assert timing can be modified by using the DKC bit in BCR1.

Figure 6.23 shows the  $\overline{\text{DACK}}$  signal output timing. Setting the DKC bit to 1 asserts the  $\overline{\text{DACK}}$  signal a half cycle earlier.



**Figure 6.23  $\overline{\text{DACK}}$  Signal Output Timing**



## 6.7 Byte Control SRAM Interface

The byte control SRAM interface is a memory interface for outputting a byte select strobe during a read or a write bus cycle. This interface has 16-bit data input/output pins and can be connected to the SRAM that has the upper byte select and the lower byte select strobes such as  $\overline{UB}$  and  $\overline{LB}$ .

The operation of the byte control SRAM interface is the same as the basic bus interface except that: the byte select strobes ( $\overline{LUB}$  and  $\overline{LLB}$ ) are output from the write strobe output pins ( $\overline{LHWR}$  and  $\overline{LLWR}$ ), respectively; the read strobe ( $\overline{RD}$ ) negation timing is a half cycle earlier than that in the case where  $RDNn = 0$  in the basic bus interface regardless of the  $RDNCR$  settings; and the  $\overline{RD}/\overline{WR}$  signal is used as write enable ( $\overline{WE}$ ).

### 6.7.1 Byte Control SRAM Space Setting

Byte control SRAM interface can be specified for areas 0 to 7. Each area can be specified as byte control SRAM interface by setting bits  $BCSELn$  ( $n = 0$  to 7) in  $SRAMCR$ . For the area specified as burst ROM interface or address/data multiplexed I/O interface, the  $SRAMCR$  setting is invalid and byte control SRAM interface cannot be used.

### 6.7.2 Data Bus

The bus width of the byte control SRAM space can be specified as 16-bit byte control SRAM space according to bits  $ABWHn$  and  $ABWLn$  ( $n = 0$  to 7) in  $ABWCR$ . The area specified as 8-bit access space cannot be specified as the byte control SRAM space.

For the 16-bit byte control SRAM space, data bus (D15 to D0) is valid.

Access size and data alignment are the same as the basic bus interface. For details, see section 6.5.6, Endian and Data Alignment.

### 6.7.3 I/O Pins Used for Byte Control SRAM Interface

Table 6.16 shows the pins used for the byte control SRAM interface.

In the byte control SRAM interface, write strobe signals ( $\overline{\text{LHWR}}$  and  $\overline{\text{LLWR}}$ ) are output from the byte select strobes. The  $\text{RD}/\overline{\text{WR}}$  signal is used as a write enable signal.

**Table 6.16 I/O Pins for Byte Control SRAM Interface**

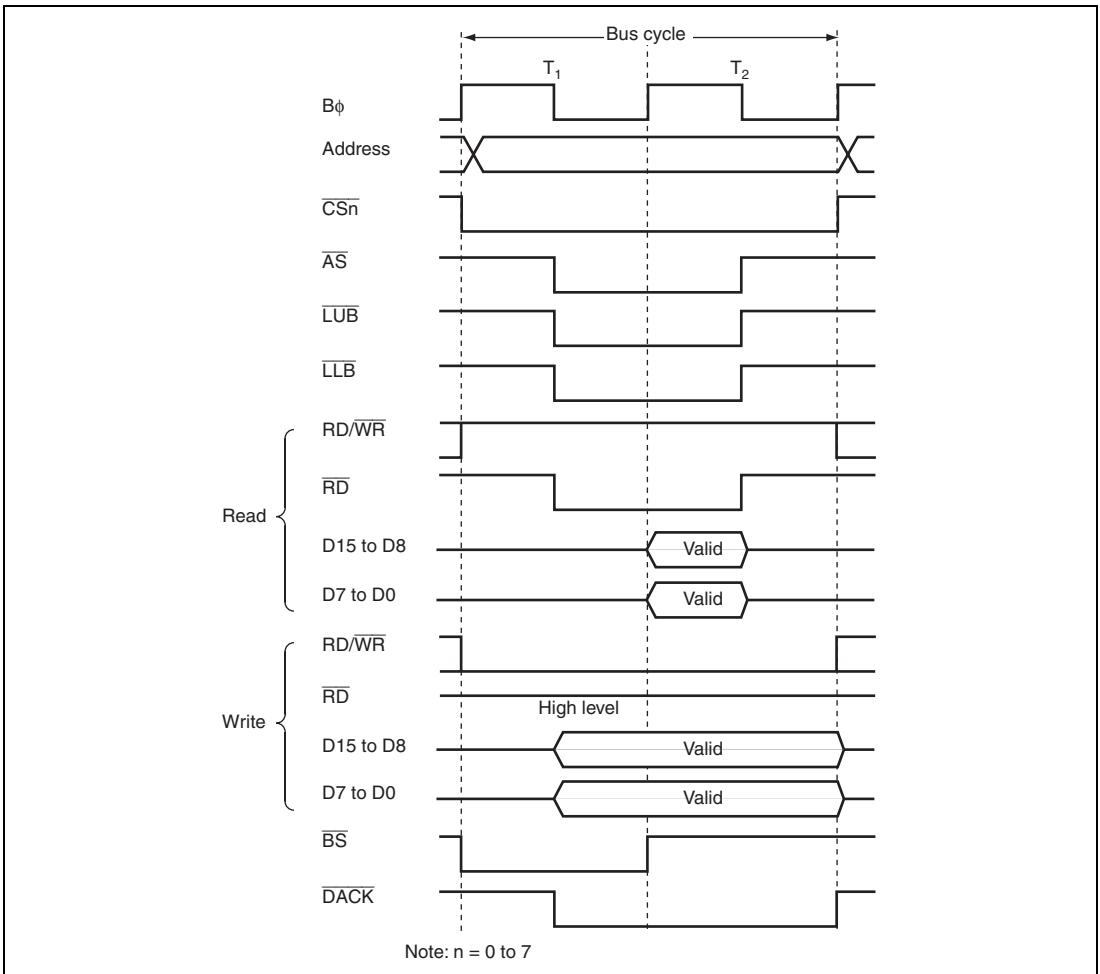
Pin	When Byte Control SRAM is Specified	Name	I/O	Function
$\overline{\text{AS/AH}}$	$\overline{\text{AS}}$	Address strobe	Output	Strobe signal indicating that the address output on the address bus is valid when a basic bus interface space or byte control SRAM space is accessed
$\overline{\text{CSn}}$	$\overline{\text{CSn}}$	Chip select	Output	Strobe signal indicating that area n is selected
$\overline{\text{RD}}$	$\overline{\text{RD}}$	Read strobe	Output	Output enable for the SRAM when the byte control SRAM space is accessed
$\text{RD}/\overline{\text{WR}}$	$\text{RD}/\overline{\text{WR}}$	Read/write	Output	Write enable signal for the SRAM when the byte control SRAM space is accessed
$\overline{\text{LHWR/LUB}}$	$\overline{\text{LUB}}$	Lower-upper byte select	Output	Upper byte select when the 16-bit byte control SRAM space is accessed
$\overline{\text{LLWR/LLB}}$	$\overline{\text{LLB}}$	Lower-lower byte select	Output	Lower byte select when the 16-bit byte control SRAM space is accessed
$\overline{\text{WAIT}}$	$\overline{\text{WAIT}}$	Wait	Input	Wait request signal used when an external address space is accessed
A23 to A0	A23 to A0	Address pin	Output	Address output pin
D15 to D0	D15 to D0	Data pin	Input/output	Data input/output pin

## 6.7.4 Basic Timing

### (1) 2-State Access Space

Figure 6.24 shows the bus timing when the byte control SRAM space is specified as a 2-state access space.

Data buses used for 16-bit access space is the same as those in basic bus interface. No wait cycles can be inserted.

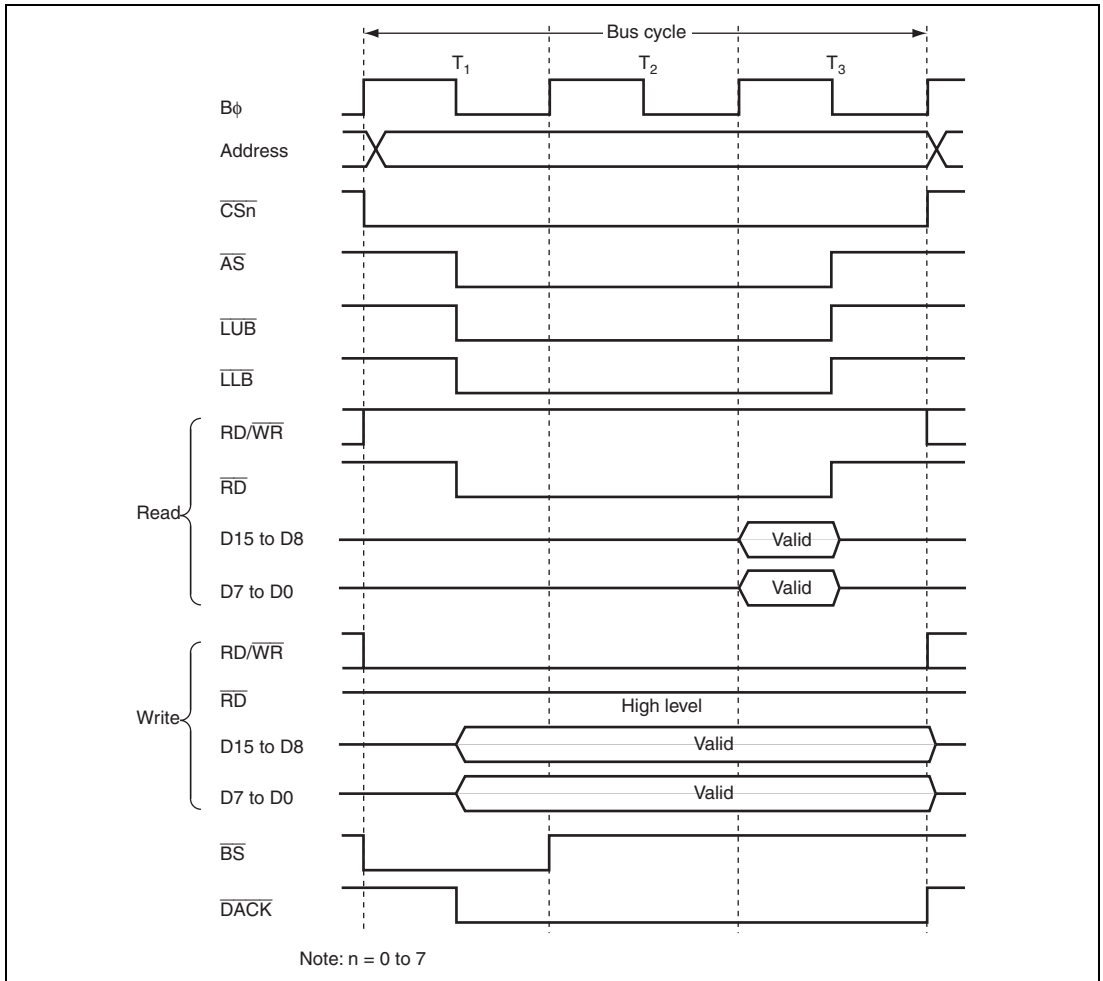


**Figure 6.24 16-Bit 2-State Access Space Bus Timing**

## (2) 3-State Access Space

Figure 6.25 shows the bus timing when the byte control SRAM space is specified as a 3-state access space.

Data buses used for 16-bit access space is the same as those in the basic bus interface. Wait cycles can be inserted.



**Figure 6.25 16-Bit 3-State Access Space Bus Timing**

### 6.7.5 Wait Control

The bus cycle can be extended for the byte control SRAM interface by inserting wait cycles ( $T_w$ ) in the same way as the basic bus interface.

#### (1) Program Wait Insertion

From 0 to 7 wait cycles can be inserted automatically between T2 cycle and T3 cycle for the 3-state access space in area units, according to the settings in WTCRA and WTCRB.

#### (2) Pin Wait Insertion

For 3-state access space, when the WAITE bit in BCR1 is set to 1, the corresponding DDR bit is cleared to 0, and the ICR bit is set to 1, wait input by means of the  $\overline{\text{WAIT}}$  pin is enabled. For details on DDR and ICR, see section 9, I/O Ports.

Figure 6.26 shows an example of wait cycle insertion timing.

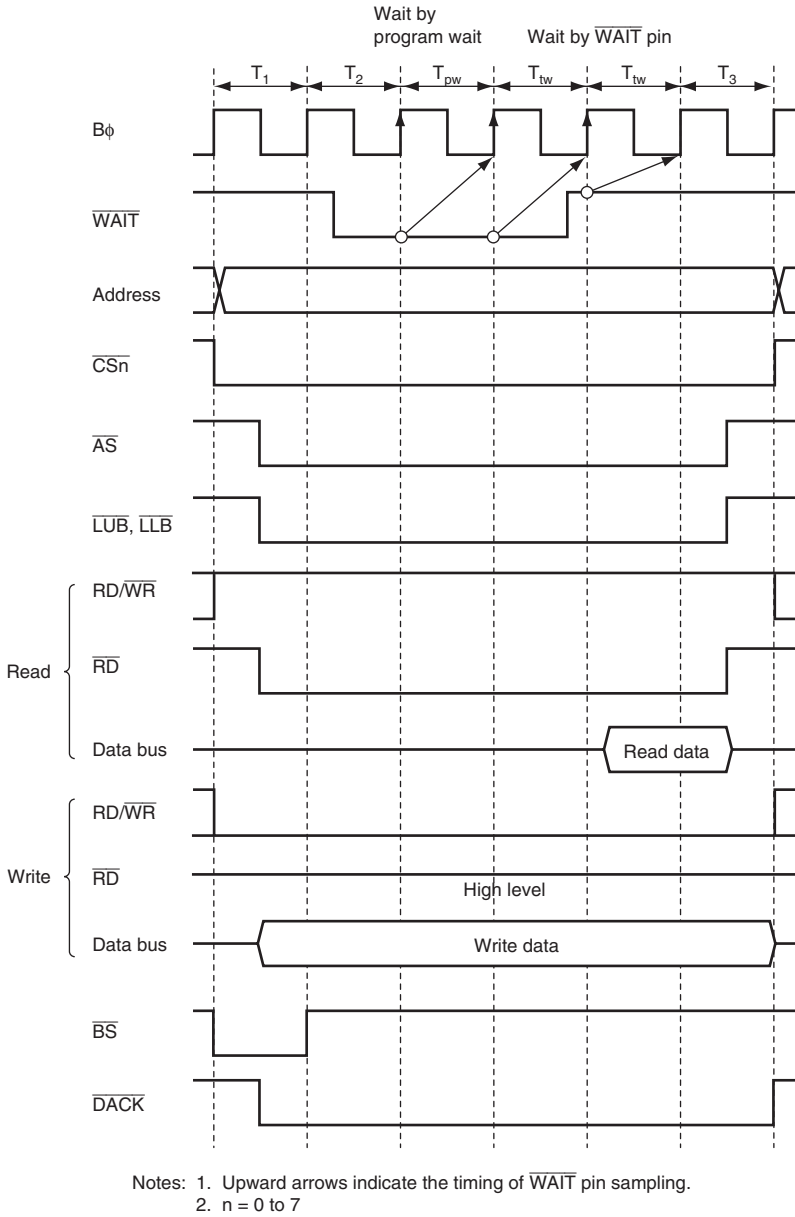


Figure 6.26 Example of Wait Cycle Insertion Timing

### 6.7.6 Read Strobe ( $\overline{\text{RD}}$ )

When the byte control SRAM space is specified, the RDNCR setting for the corresponding space is invalid.

The read strobe negation timing is the same timing as when  $\text{RDNn} = 1$  in the basic bus interface. Note that the  $\overline{\text{RD}}$  timing with respect to the  $\overline{\text{DACK}}$  rising edge becomes different.

### 6.7.7 Extension of Chip Select ( $\overline{\text{CS}}$ ) Assertion Period

In the byte control SRAM interface, the extension cycles can be inserted before and after the bus cycle in the same way as the basic bus interface. For details, see section 6.6.6, Extension of Chip Select ( $\overline{\text{CS}}$ ) Assertion Period.

### 6.7.8 $\overline{\text{DACK}}$ Signal Output Timing

For DMAC single address transfers, the  $\overline{\text{DACK}}$  signal assert timing can be modified by using the DKC bit in BCR1.

Figure 6.27 shows the  $\overline{\text{DACK}}$  signal output timing. Setting the DKC bit to 1 asserts the  $\overline{\text{DACK}}$  signal a half cycle earlier.

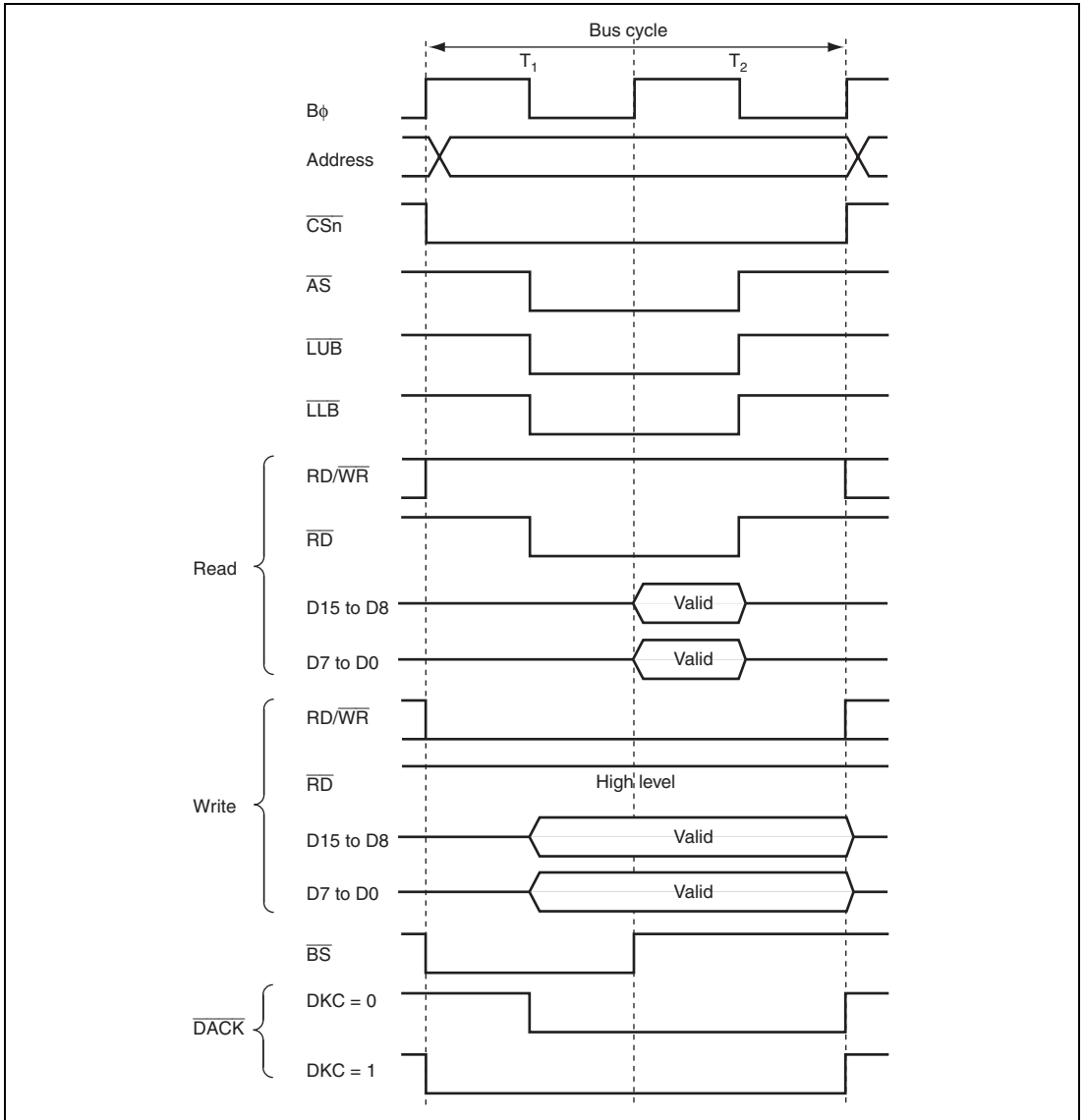


Figure 6.27  $\overline{DACK}$  Signal Output Timing



## 6.8 Burst ROM Interface

In this LSI, external address space areas 0 and 1 can be designated as burst ROM space, and burst ROM interfacing performed. The burst ROM interface enables ROM with page access capability to be accessed at high speed.

Areas 1 and 0 can be designated as burst ROM space by means of bits BSRM1 and BSRM0 in BROMCR. Consecutive burst accesses of up to 32 words can be performed, according to the setting of bits BSWDn1 and BSWDn0 ( $n = 0, 1$ ) in BROMCR. From one to eight cycles can be selected for burst access.

Settings can be made independently for area 0 and area 1.

In the burst ROM interface, burst access covers only CPU read accesses. Other accesses are covered by basic bus interface.

### 6.8.1 Burst ROM Space Setting

Burst ROM interface can be specified for areas 0 and 1. Areas 0 and 1 can be specified as burst ROM space by setting bits BSRMn ( $n = 0, 1$ ) in BROMCR.

### 6.8.2 Data Bus

The bus width of the burst ROM space can be specified as 8-bit or 16-bit burst ROM interface space according to the ABWHn and ABWLn bits ( $n = 0, 1$ ) in ABWCR.

For the 8-bit bus width, data bus (D7 to D0) is valid. For the 16-bit bus width, data bus (D15 to D0) is valid.

Access size and data alignment are the same as the basic bus interface. For details, see section 6.5.6, Endian and Data Alignment.

### 6.8.3 I/O Pins Used for Burst ROM Interface

Table 6.17 shows the pins used for the burst ROM interface.

**Table 6.17 I/O Pins Used for Burst ROM Interface**

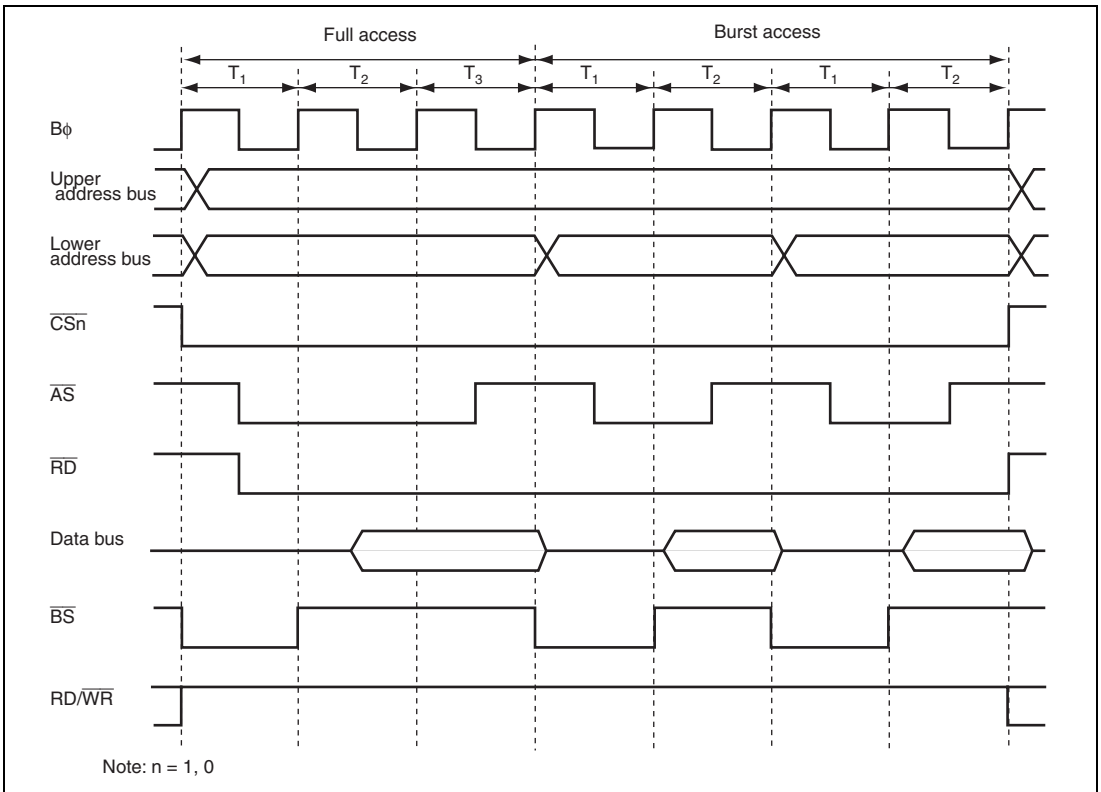
Name	Symbol	I/O	Function
Bus cycle start	$\overline{BS}$	Output	Signal indicating that the bus cycle has started.
Address strobe	$\overline{AS}$	Output	Strobe signal indicating that an address output on the address bus is valid during access
Read strobe	$\overline{RD}$	Output	Strobe signal indicating the read access
Read/write	$\overline{RD/WR}$	Output	Signal indicating the data bus input or output direction
Low-high write	$\overline{LHWR}$	Output	Strobe signal indicating that the upper byte (D15 to D8) is valid during write access
Low-low write	$\overline{LLWR}$	Output	Strobe signal indicating that the lower byte (D7 to D0) is valid during write access
Chip select 0, 1	$\overline{CS0}, \overline{CS1}$	Output	Strobe signal indicating that the area is selected
Wait	$\overline{WAIT}$	Input	Wait request signal used when an external address space is accessed

### 6.8.4 Basic Timing

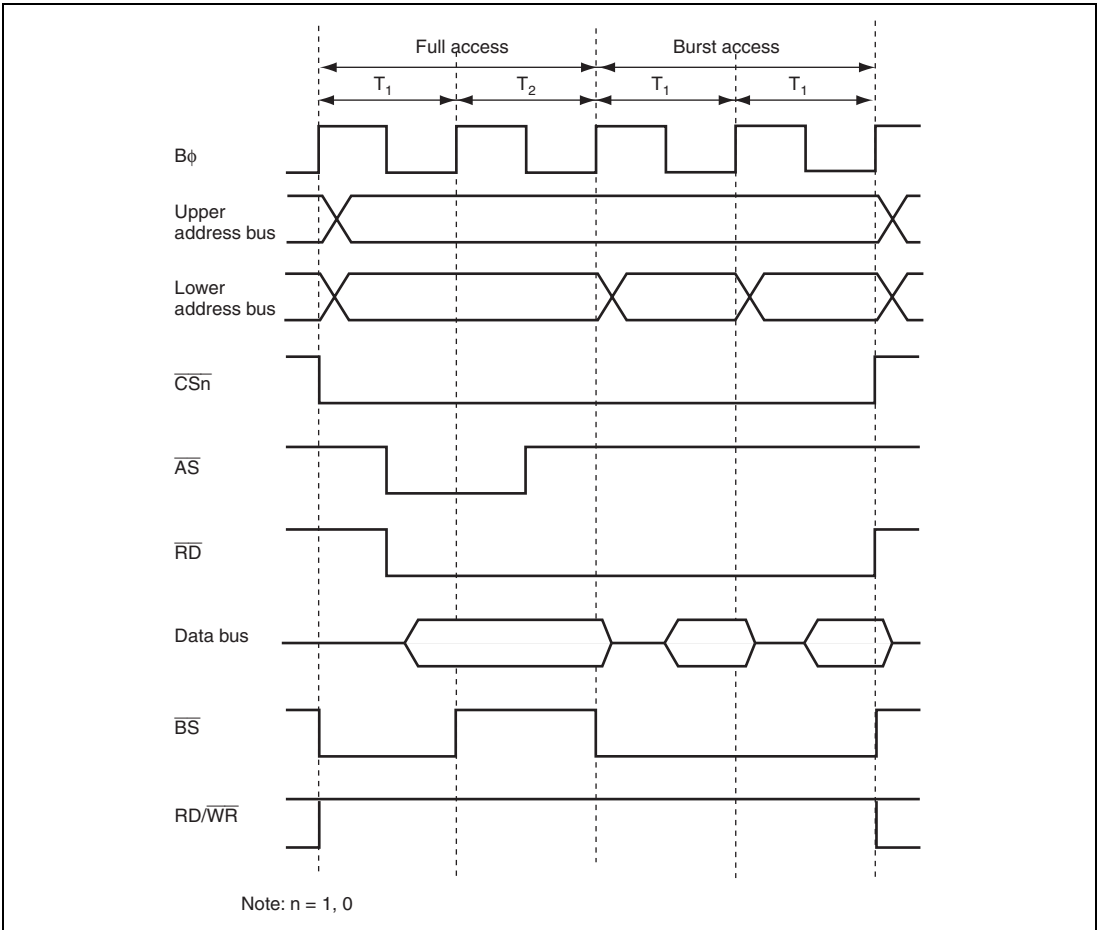
The number of access cycles in the initial cycle (full access) on the burst ROM interface is determined by the basic bus interface settings in ABWCR, ASTCR, WTCRA, WTCRB, and bits CSXHn in CSACR (n = 0 to 7). When area 0 or area 1 designated as burst ROM space is read by the CPU, the settings in RDNCR and bits CSXTn in CSACR (n = 0 to 7) are ignored.

From one to eight cycles can be selected for the burst cycle, according to the settings of bits BSTS02 to BSTS00 and BSTS12 to BSTS10 in BROMCR. Wait cycles cannot be inserted. In addition, 4-word, 8-word, 16-word, or 32-word consecutive burst access can be performed according to the settings of BSTS01, BSTS00, BSTS11, and BSTS10 bits in BROMCR.

The basic access timing for burst ROM space is shown in figures 6.28 and 6.29.



**Figure 6.28 Example of Burst ROM Access Timing ( $AST_n = 1$ , Two Burst Cycles)**



**Figure 6.29 Example of Burst ROM Access Timing (ASTn = 0, One Burst Cycle)**

### 6.8.5 Wait Control

As with the basic bus interface, either program wait insertion or pin wait insertion by the  $\overline{\text{WAIT}}$  pin can be used in the initial cycle (full access) on the burst ROM interface. See section 6.6.4, Wait Control. Wait cycles cannot be inserted in a burst cycle.

### 6.8.6 Read Strobe ( $\overline{\text{RD}}$ ) Timing

When the burst ROM space is read by the CPU, the RDNCR setting for the corresponding space is invalid.

The read strobe negation timing is the same timing as when  $\text{RD}N_n = 0$  in the basic bus interface.

### 6.8.7 Extension of Chip Select ( $\overline{\text{CS}}$ ) Assertion Period

In the burst ROM interface, the extension cycles can be inserted in the same way as the basic bus interface.

For the burst ROM space, the burst access can be enabled only in read access by the CPU. In this case, the setting of the corresponding  $\text{CSXT}_n$  bit in CSACR is ignored and an extension cycle can be inserted only before the full access cycle. Note that no extension cycle can be inserted before or after the burst access cycles.

In read accesses by the CPU, the burst ROM space is equivalent to the basic bus interface space. Accordingly, extension cycles can be inserted before and after the burst access cycles.

## 6.9 Address/Data Multiplexed I/O Interface

If areas 3 to 7 of external address space are specified as address/data multiplexed I/O space in this LSI, the address/data multiplexed I/O interface can be performed. In the address/data multiplexed I/O interface, peripheral LSIs that require the multiplexed address/data can be connected directly to this LSI.

### 6.9.1 Address/Data Multiplexed I/O Space Setting

Address/data multiplexed I/O interface can be specified for areas 3 to 7. Each area can be specified as the address/data multiplexed I/O space by setting bits MPXEn (n = 3 to 7) in MPXCR.

### 6.9.2 Address/Data Multiplex

In the address/data multiplexed I/O space, data bus is multiplexed with address bus. Table 6.18 shows the relationship between the bus width and address output.

**Table 6.18 Address/Data Multiplex**

Bus Width	Cycle	Data Pins															
		PI7	PI6	PI5	PI4	PI3	PI2	PI1	PI0	PH7	PH6	PH5	PH4	PH3	PH2	PH1	PH0
8 bits	Address	—	—	—	—	—	—	—	—	A7	A6	A5	A4	A3	A2	A1	A0
	Data	—	—	—	—	—	—	—	—	D7	D6	D5	D4	D3	D2	D1	D0
16 bits	Address	A15	A14	A13	A12	A11	A10	A9	A8	A7	A6	A5	A4	A3	A2	A1	A0
	Data	D15	D14	D13	D12	D11	D10	D9	D8	D7	D6	D5	D4	D3	D2	D1	D0

### 6.9.3 Data Bus

The bus width of the address/data multiplexed I/O space can be specified for either 8-bit access space or 16-bit access space by the ABWHn and ABWLn bits (n = 3 to 7) in ABWCR.

For the 8-bit access space, D7 to D0 are valid for both address and data. For 16-bit access space, D15 to D0 are valid for both address and data. If the address/data multiplexed I/O space is accessed, the corresponding address will be output to the address bus.

For details on access size and data alignment, see section 6.5.6, Endian and Data Alignment.

### 6.9.4 I/O Pins Used for Address/Data Multiplexed I/O Interface

Table 6.19 shows the pins used for the address/data multiplexed I/O Interface.

**Table 6.19 I/O Pins for Address/Data Multiplexed I/O Interface**

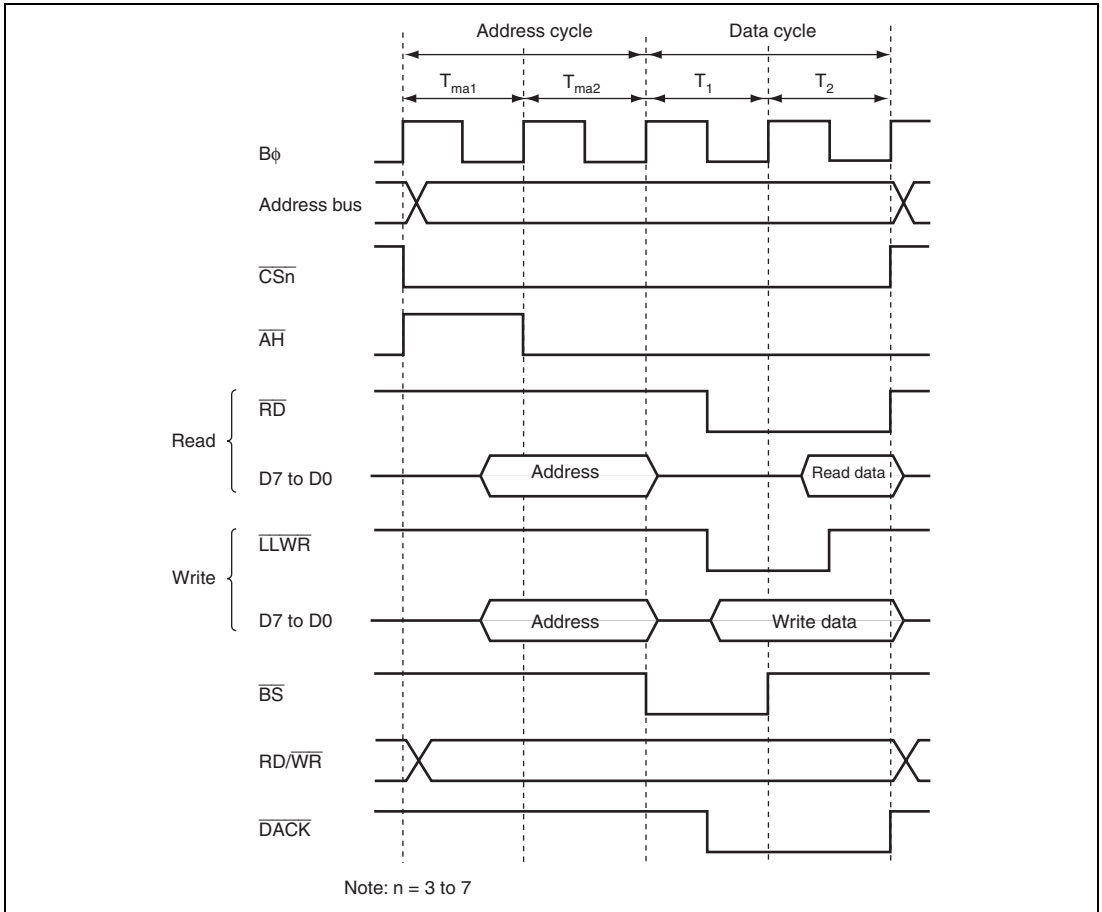
Pin	When Byte Control SRAM is Specified	Name	I/O	Function
$\overline{CSn}$	$\overline{CSn}$	Chip select	Output	Chip select (n = 3 to 7) when area n is specified as the address/data multiplexed I/O space
$\overline{AS/AH}$	$\overline{AH}^*$	Address hold	Output	Signal to hold an address when the address/data multiplexed I/O space is specified
$\overline{RD}$	$\overline{RD}$	Read strobe	Output	Signal indicating that the address/data multiplexed I/O space is being read
$\overline{LHWR/LUB}$	$\overline{LHWR}$	Low-high write	Output	Strobe signal indicating that the upper bytes (D15 to D8) is valid when the address/data multiplexed I/O space is written
$\overline{LLWR/LLB}$	$\overline{LLWR}$	Low-low write	Output	Strobe signal indicating that the lower bytes (D7 to D0) is valid when the address/data multiplexed I/O space is written
D15 to D0	D15 to D0	Address/data	Input/output	Address and data multiplexed pins for the address/data multiplexed I/O space.  Only D7 to D0 are valid when the 8-bit space is specified. D15 to D0 are valid when the 16-bit space is specified.
A23 to A0	A23 to A0	Address	Output	Address output pin
$\overline{WAIT}$	$\overline{WAIT}$	Wait	Input	Wait request signal used when the external address space is accessed
$\overline{BS}$	$\overline{BS}$	Bus cycle start	Output	Signal to indicate the bus cycle start
$\overline{RD/WR}$	$\overline{RD/WR}$	Read/write	Output	Signal indicating the data bus input or output direction

Note: \* The AH output is multiplexed with the AS output. At the timing that an area is specified as address/data multiplexed I/O, this pin starts to function as the AH output meaning that this pin cannot be used as the AS output. At this time, when other areas set to the basic bus interface is accessed, this pin does not function as the AS output. Until an area is specified as address/data multiplexed I/O, be aware that this pin functions as the AS output.

### 6.9.5 Basic Timing

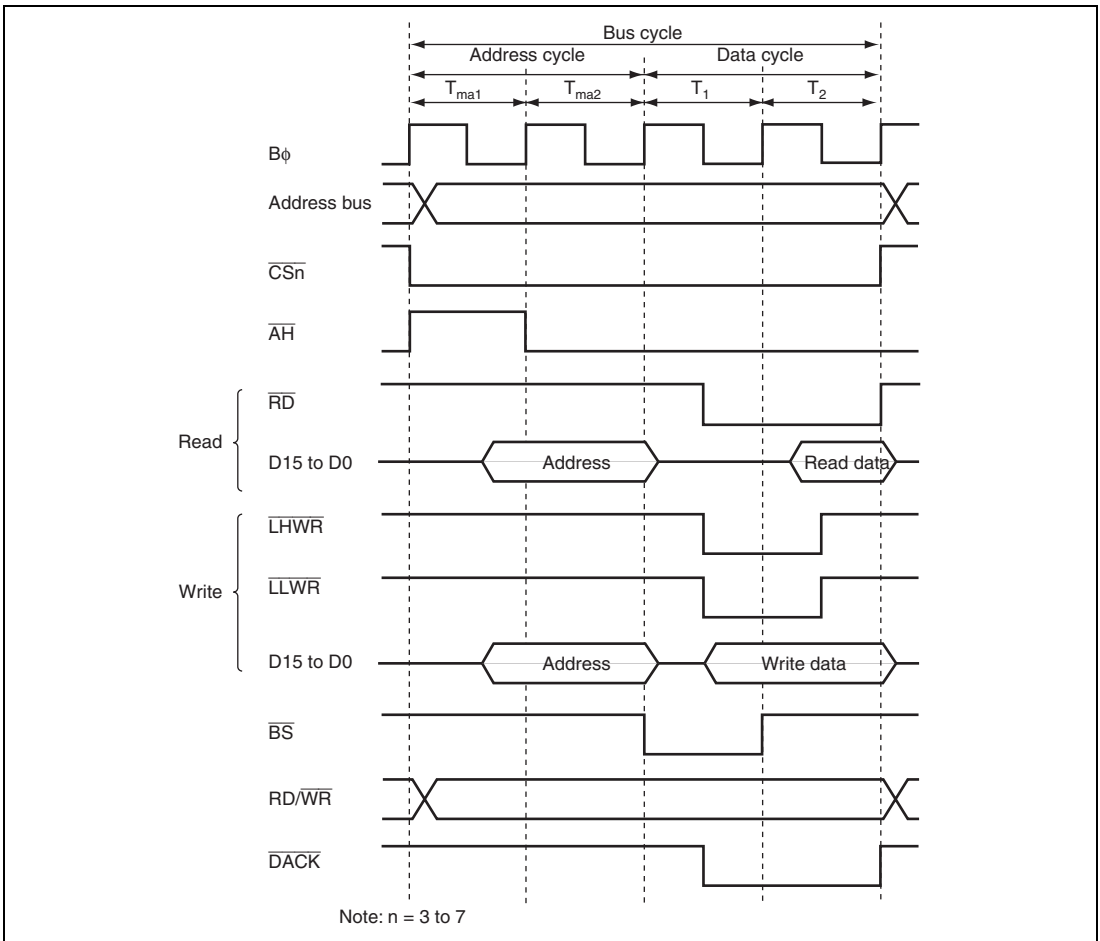
The bus cycle in the address/data multiplexed I/O interface consists of an address cycle and a data cycle. The data cycle is based on the basic bus interface timing specified by the ABWCR, ASTCR, WTCRA, WTCRB, RDNCR, and CSACR.

Figures 6.30 and 6.31 show the basic access timings.



**Figure 6.30 8-Bit Access Space Access Timing (ABWH<sub>n</sub> = 1, ABWL<sub>n</sub> = 1)**



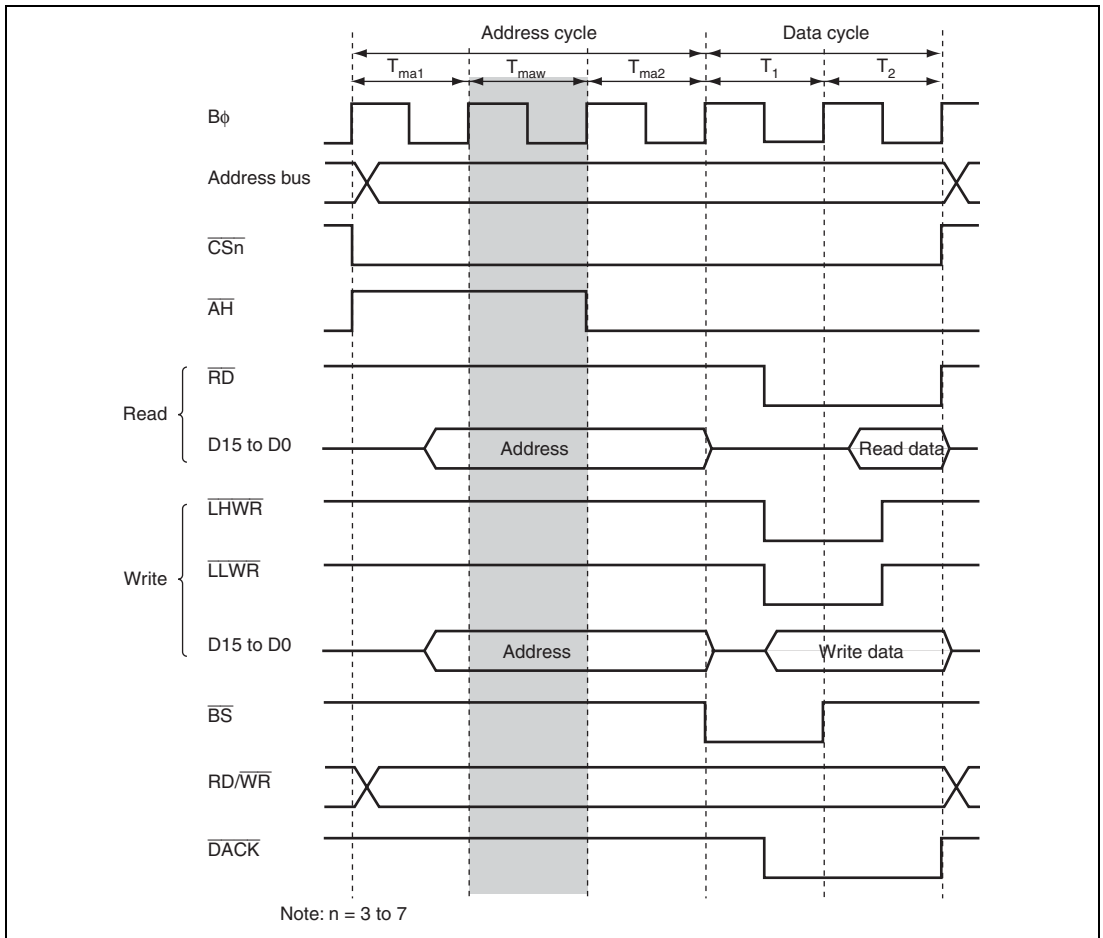


**Figure 6.31 16-Bit Access Space Access Timing (ABWHn = 0, ABWLn = 1)**

### 6.9.6 Address Cycle Control

An extension cycle ( $T_{maw}$ ) can be inserted between  $T_{ma1}$  and  $T_{ma2}$  cycles to extend the  $\overline{AH}$  signal output period by setting the ADDEX bit in MPXCR. By inserting the  $T_{maw}$  cycle, the address setup for  $\overline{AH}$  and the  $\overline{AH}$  minimum pulse width can be assured.

Figure 6.32 shows the access timing when the address cycle is three cycles.



**Figure 6.32 Access Timing of 3 Address Cycles (ADDEX = 1)**

### 6.9.7 Wait Control

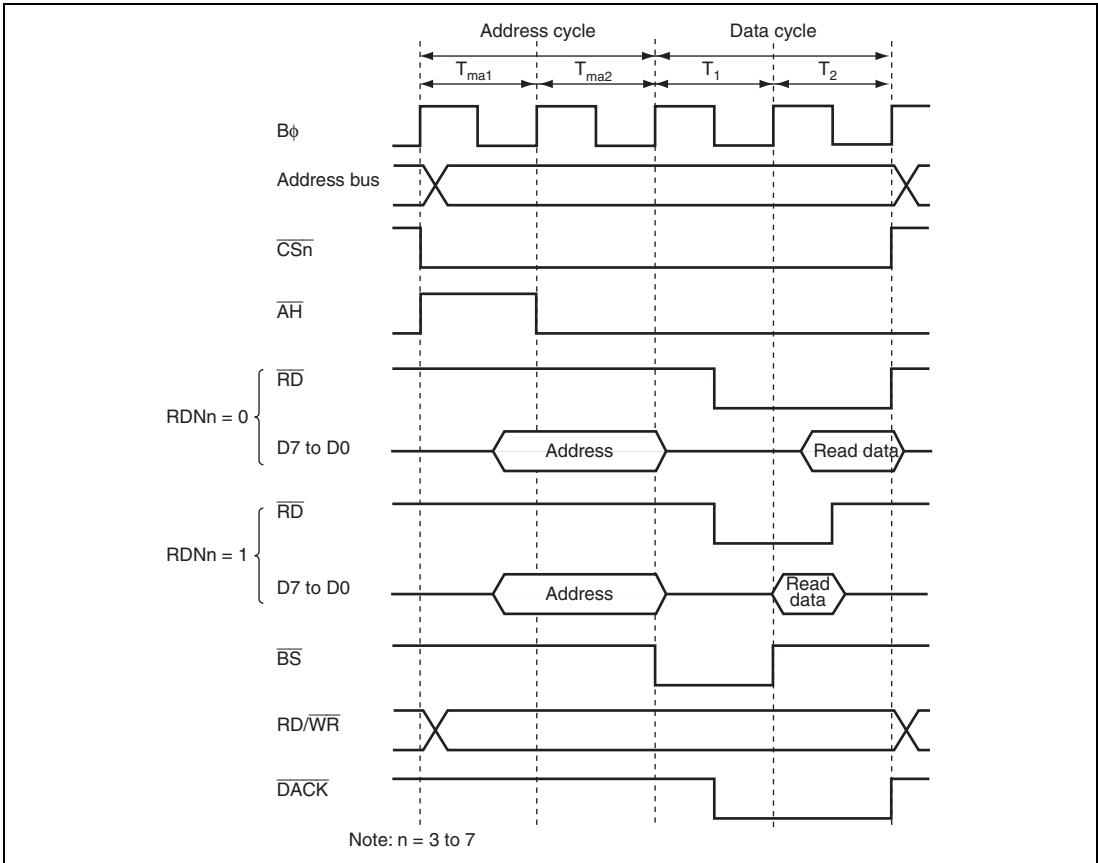
In the data cycle of the address/data multiplexed I/O interface, program wait insertion and pin wait insertion by the  $\overline{WAIT}$  pin are enabled in the same way as in the basic bus interface. For details, see section 6.6.4, Wait Control.

Wait control settings do not affect the address cycles.

### 6.9.8 Read Strobe ( $\overline{\text{RD}}$ ) Timing

In the address/data multiplexed I/O interface, the read strobe timing of data cycles can be modified in the same way as in basic bus interface. For details, see section 6.6.5, Read Strobe ( $\overline{\text{RD}}$ ) Timing.

Figure 6.33 shows an example when the read strobe timing is modified.

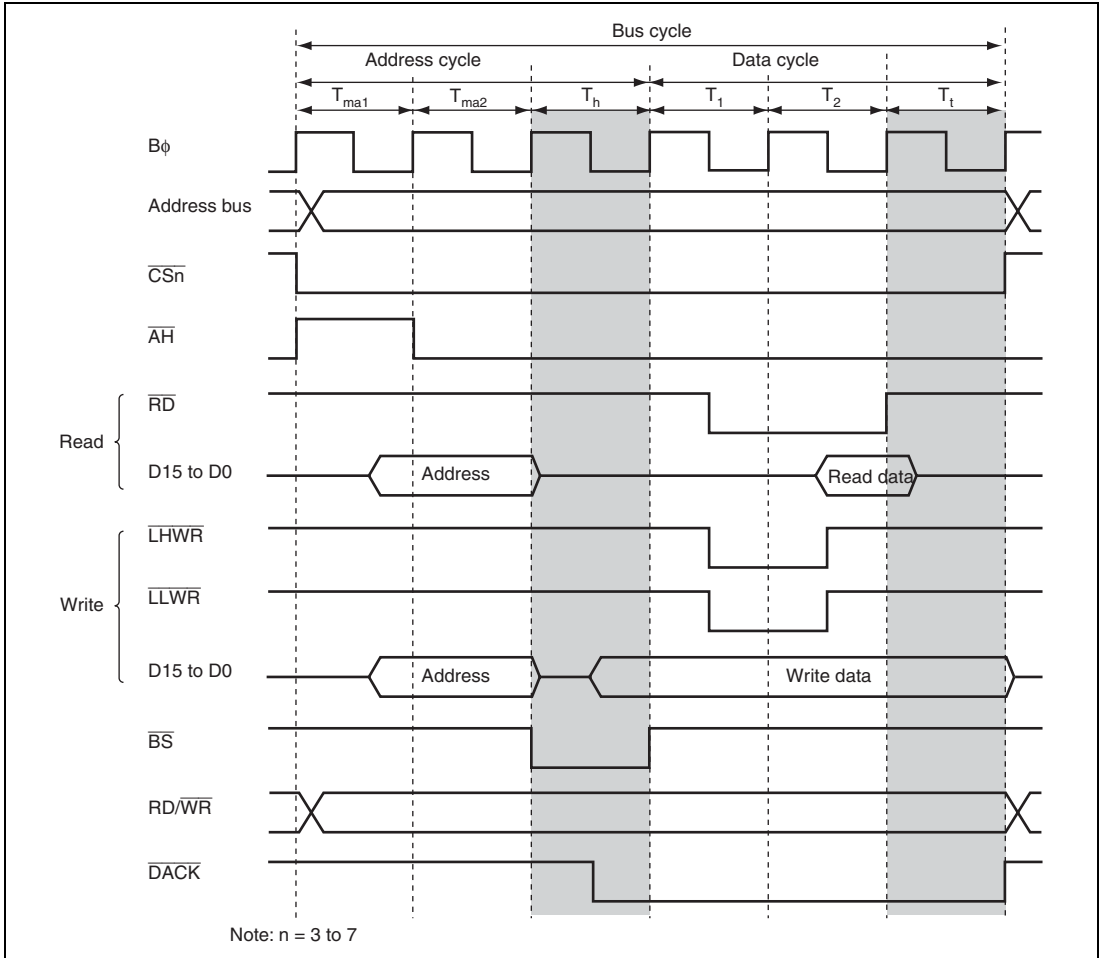


**Figure 6.31 Read Strobe Timing**

### 6.9.9 Extension of Chip Select ( $\overline{CS}$ ) Assertion Period

In the address/data multiplexed interface, the extension cycles can be inserted before and after the bus cycle. For details, see section 6.6.6, Extension of Chip Select ( $\overline{CS}$ ) Assertion Period.

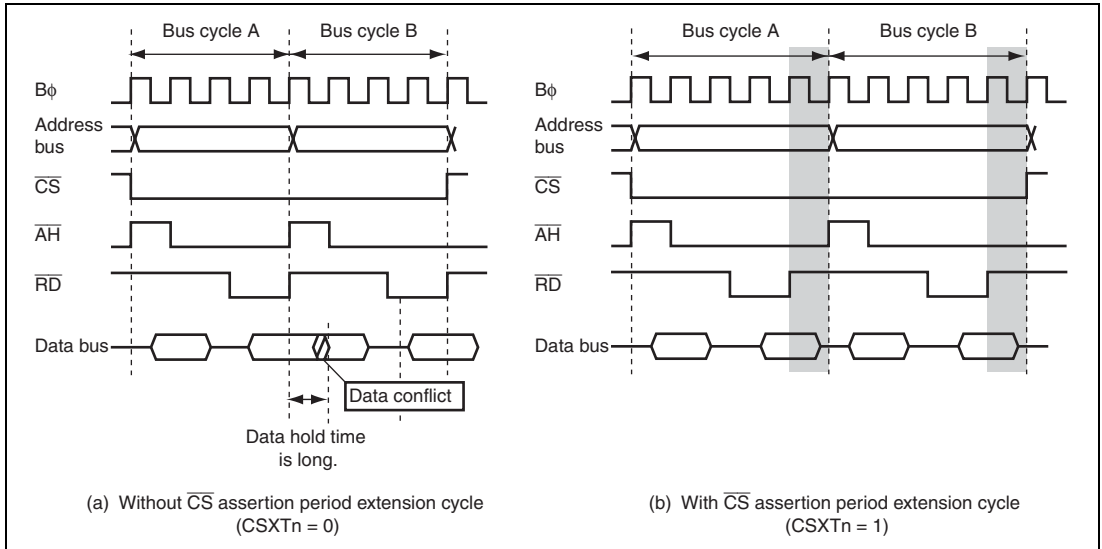
Figure 6.34 shows an example of the chip select ( $\overline{CS}$ ) assertion period extension timing.



**Figure 6.34 Chip Select ( $\overline{CS}$ ) Assertion Period Extension Timing in Data Cycle**

When consecutively reading from the same area connected to a peripheral LSI whose data hold time is long, data outputs from the peripheral LSI and this LSI may conflict. Inserting the chip select assertion period extension cycle after the access cycle can avoid the data conflict.

Figure 6.35 shows an example of the operation. In the figure, both bus cycles A and B are read access cycles to the address/data multiplexed I/O space. An example of the data conflict is shown in (a), and an example of avoiding the data conflict by the  $\overline{\text{CS}}$  assertion period extension cycle in (b).

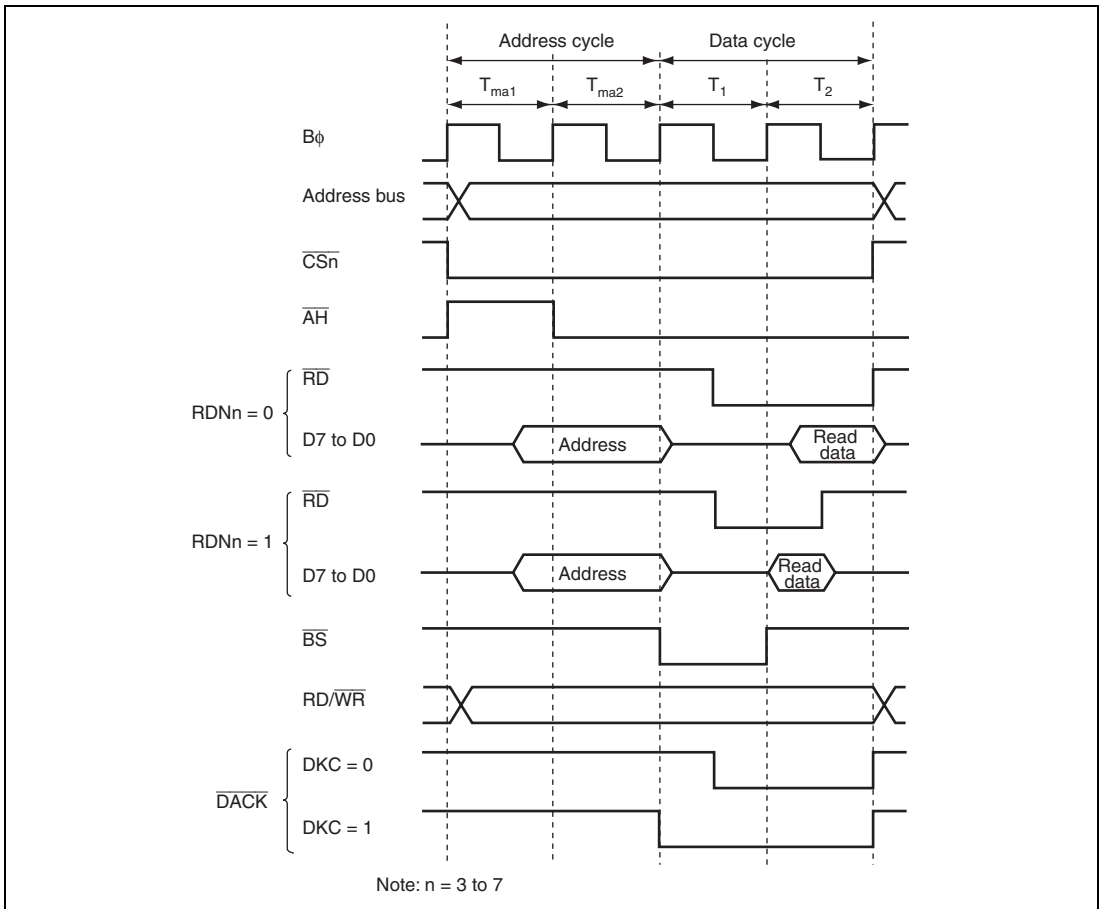


**Figure 6.35 Consecutive Read Accesses to Same Area  
(Address/Data Multiplexed I/O Space)**

### 6.9.10 $\overline{\text{DACK}}$ Signal Output Timing

For DMAC single address transfers, the  $\overline{\text{DACK}}$  signal assert timing can be modified by using the DKC bit in BCR1.

Figure 6.36 shows the  $\overline{\text{DACK}}$  signal output timing. Setting the DKC bit to 1 asserts the  $\overline{\text{DACK}}$  signal a half cycle earlier.



**Figure 6.36  $\overline{\text{DACK}}$  Signal Output Timing**

## 6.10 Idle Cycle

In this LSI, idle cycles can be inserted between the consecutive external accesses. By inserting the idle cycle, data conflicts between ROM read cycle whose output floating time is long and an access cycle from/to high-speed memory or I/O interface can be prevented.

### 6.10.1 Operation

When this LSI consecutively accesses external address space, it can insert an idle cycle between bus cycles in the following four cases. These conditions are determined by the sequence of read and write and previously accessed area.

1. When read cycles of different areas in the external address space occur consecutively
2. When an external write cycle occurs immediately after an external read cycle
3. When an external read cycle occurs immediately after an external write cycle
4. When an external access occurs immediately after a DMAC single address transfer (write cycle)

Up to four idle cycles can be inserted under the conditions shown above. The number of idle cycles to be inserted should be specified to prevent data conflicts between the output data from a previously accessed device and data from a subsequently accessed device.

Under conditions 1 and 2, which are the conditions to insert idle cycles after read, the number of idle cycles can be selected from setting A specified by the bits IDLCA1 and IDLCA0 in IDLCR or setting B specified by the bits IDLCB1 and IDLCB0 in IDLCR: Setting A can be selected from one to four cycles, and setting B can be selected from one or two to four cycles. Setting A or B can be specified for each area by setting the bits IDLSEL7 to IDLSEL0 in IDLCR. Note that the bits IDLSEL7 to IDLSEL0 correspond to the previously accessed area of the consecutive accesses.

The number of idle cycles to be inserted under conditions 3 and 4, which is a condition to insert idle cycles after write, can be determined by setting A as described above.

After the reset release, IDLCR is initialized to four idle cycle insertion under all conditions 1 to 4 shown above.

Table 6.20 shows the correspondence between conditions 1 to 4 and number of idle cycles to be inserted for each area. Table 6.21 shows the correspondence between the number of idle cycles to be inserted specified by settings A and B, and number of cycles to be inserted.

**Table 6.20** Number of Idle Cycle Insertion Selection in Each Area

Insertion Condition	n	Bit Settings		Area for Previous Access							
		IDLSn	IDLSELn	0	1	2	3	4	5	6	7
		Setting	n = 0 to 7								
Consecutive reads in different areas	1	0	—					Invalid			
		1	0	A	A	A	A	A	A	A	A
			1	B	B	B	B	B	B	B	B
Write after read	0	0	—					Invalid			
		1	0	A	A	A	A	A	A	A	
			1	B	B	B	B	B	B	B	B
Read after write	2	0	—					Invalid			
		1					A				
External access after single address transfer	3	0	—					Invalid			
		1					A				

[Legend]

A: Number of idle cycle insertion A is selected.

B: Number of idle cycle insertion B is selected.

Invalid: No idle cycle is inserted for the corresponding condition.

**Table 6.21** Number of Idle Cycle Insertions

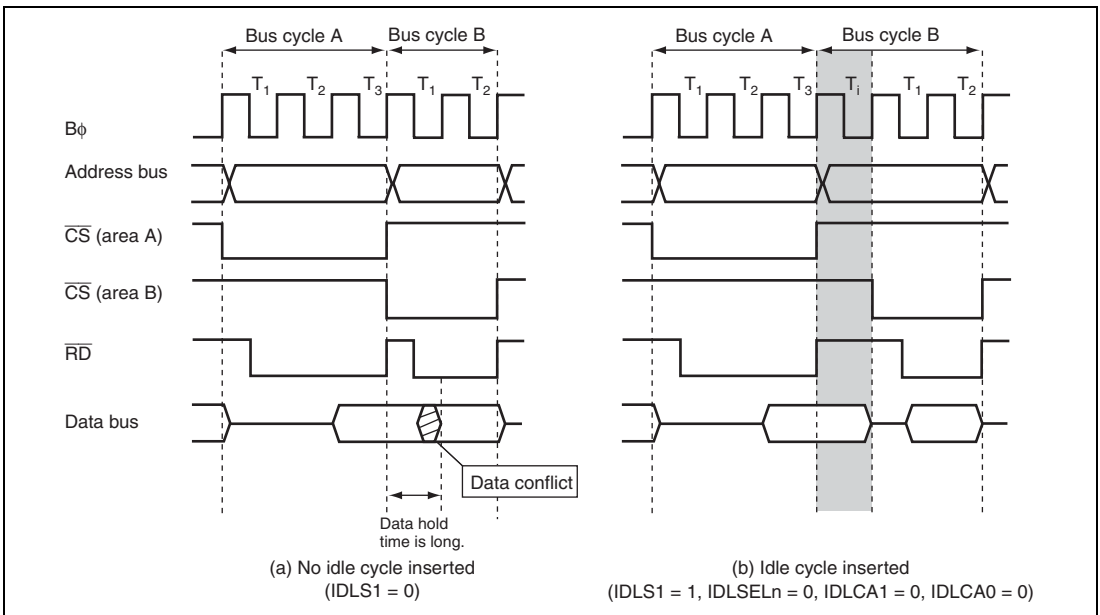
Bit Settings				
A		B		Number of Cycles
IDLCA1	IDLCA0	IDLCB1	IDLCB0	
—	—	0	0	0
0	0	—	—	1
0	1	0	1	2
1	0	1	0	3
1	1	1	1	4



### (1) Consecutive Reads in Different Areas

If consecutive reads in different areas occur while bit IDLS1 in IDLCR is set to 1, idle cycles specified by bits IDLCA1 and IDLCA0 when bit IDSELn in IDLCR is cleared to 0, or bits IDLCB1 and IDLCB0 when bit IDLSELn is set to 1 are inserted at the start of the second read cycle ( $n = 0$  to 7).

Figure 6.37 shows an example of the operation in this case. In this example, bus cycle A is a read cycle for ROM with a long output floating time, and bus cycle B is a read cycle for SRAM, each being located in a different area. In (a), an idle cycle is not inserted, and a conflict occurs in bus cycle B between the read data from ROM and that from SRAM. In (b), an idle cycle is inserted, and a data conflict is prevented.

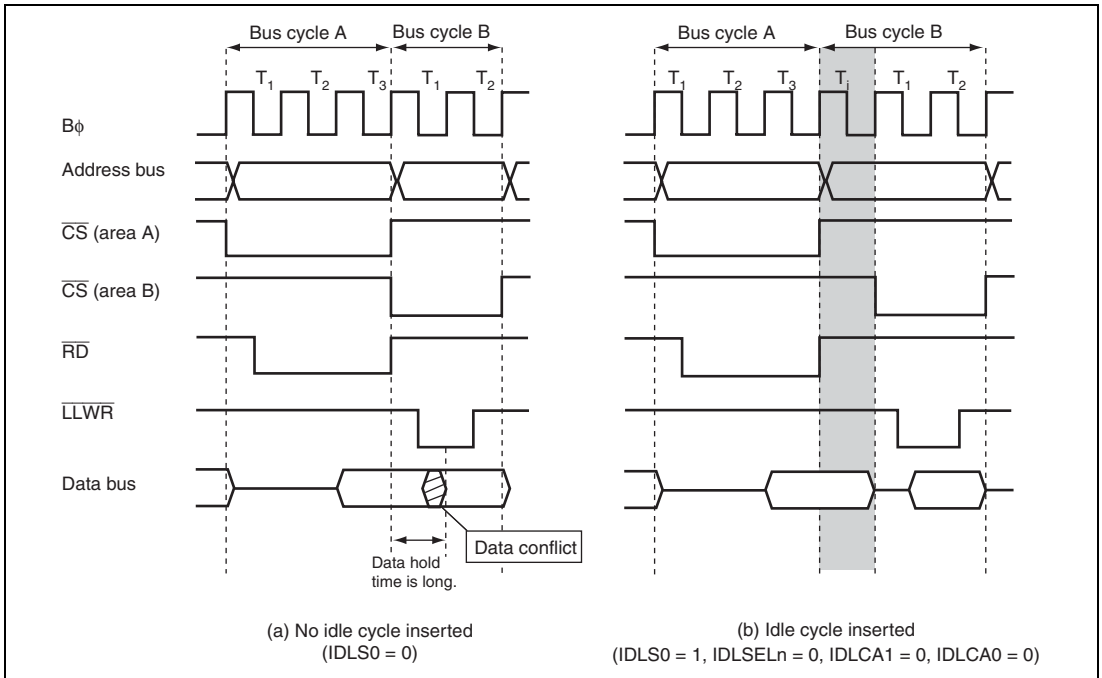


**Figure 6.37 Example of Idle Cycle Operation (Consecutive Reads in Different Areas)**

## (2) Write after Read

If an external write occurs after an external read while bit IDLS0 in IDLCR is set to 1, idle cycles specified by bits IDLCA1 and IDLCA0 when bit IDSELn in IDLCR is cleared to 0 when IDLSELn = 0, or bits IDLCB1 and IDLCB0 when IDLSELn is set to 1 are inserted at the start of the write cycle (n = 0 to 7).

Figure 6.38 shows an example of the operation in this case. In this example, bus cycle A is a read cycle for ROM with a long output floating time, and bus cycle B is a CPU write cycle. In (a), an idle cycle is not inserted, and a conflict occurs in bus cycle B between the read data from ROM and the CPU write data. In (b), an idle cycle is inserted, and a data conflict is prevented.

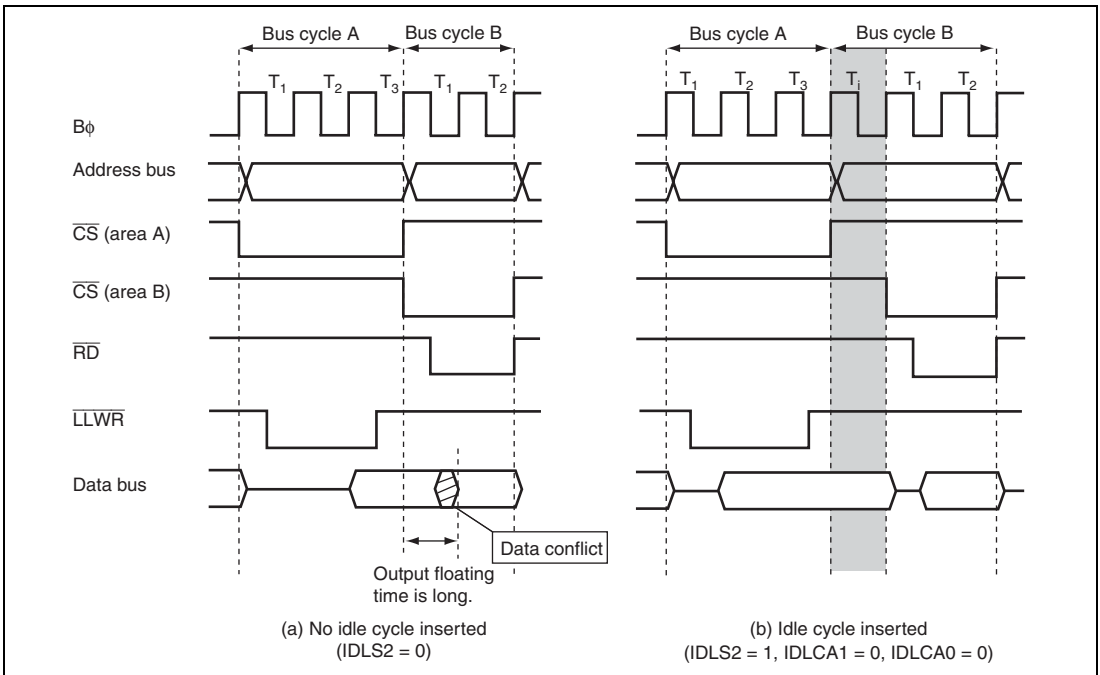


**Figure 6.38 Example of Idle Cycle Operation (Write after Read)**

### (3) Read after Write

If an external read occurs after an external write while bit IDLS2 in IDLCR is set to 1, idle cycles specified by bits IDLCA1 and IDLCA0 are inserted at the start of the read cycle ( $n = 0$  to 7).

Figure 6.39 shows an example of the operation in this case. In this example, bus cycle A is a CPU write cycle and bus cycle B is a read cycle from the SRAM. In (a), an idle cycle is not inserted, and a conflict occurs in bus cycle B between the CPU write data and read data from an SRAM device. In (b), an idle cycle is inserted, and a data conflict is prevented.

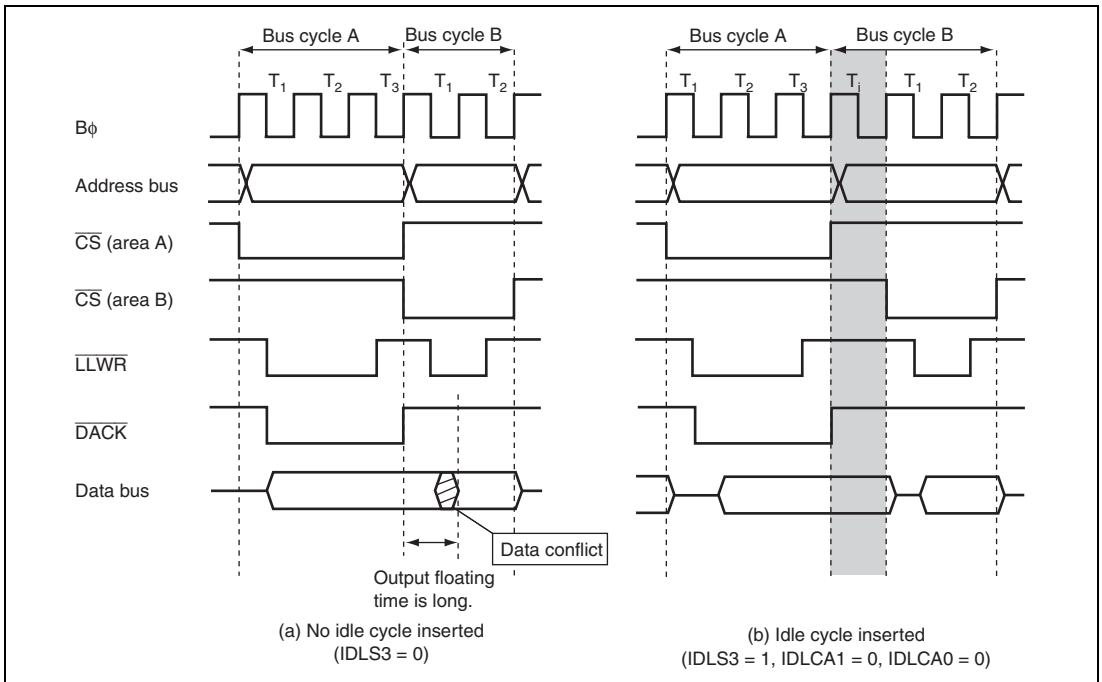


**Figure 6.39 Example of Idle Cycle Operation (Read after Write)**

#### (4) External Access after Single Address Transfer Write

If an external access occurs after a single address transfer write while bit IDLS3 in IDLCR is set to 1, idle cycles specified by bits IDLCA1 and IDLCA0 are inserted at the start of the external access.

Figure 6.40 shows an example of the operation in this case. In this example, bus cycle A is a single address transfer (write cycle) and bus cycle B is a CPU write cycle. In (a), an idle cycle is not inserted, and a conflict occurs in bus cycle B between the external device write data and this LSI write data. In (b), an idle cycle is inserted, and a data conflict is prevented.

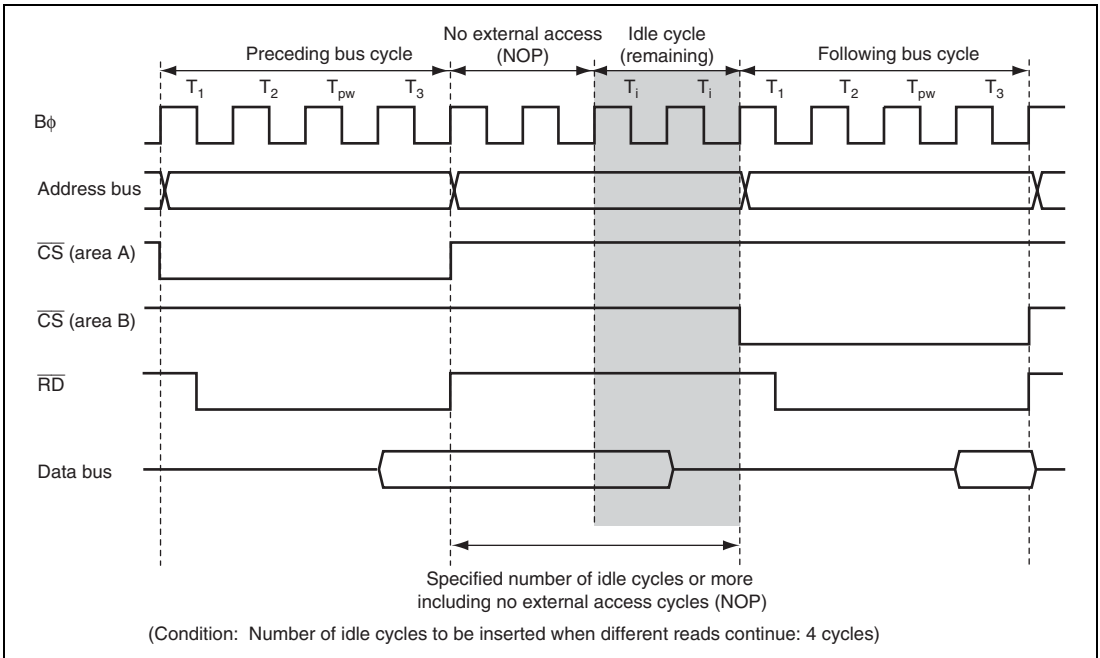


**Figure 6.40 Example of Idle Cycle Operation (Write after Single Address Transfer Write)**

### (5) External NOP Cycles and Idle Cycles

In consecutive external bus accesses, in which even if the cycles that access no external space (external NOP cycles) exist, the condition of inserting idle cycles is effective. In this case, the external NOP cycles are counted as a part of the idle cycles.

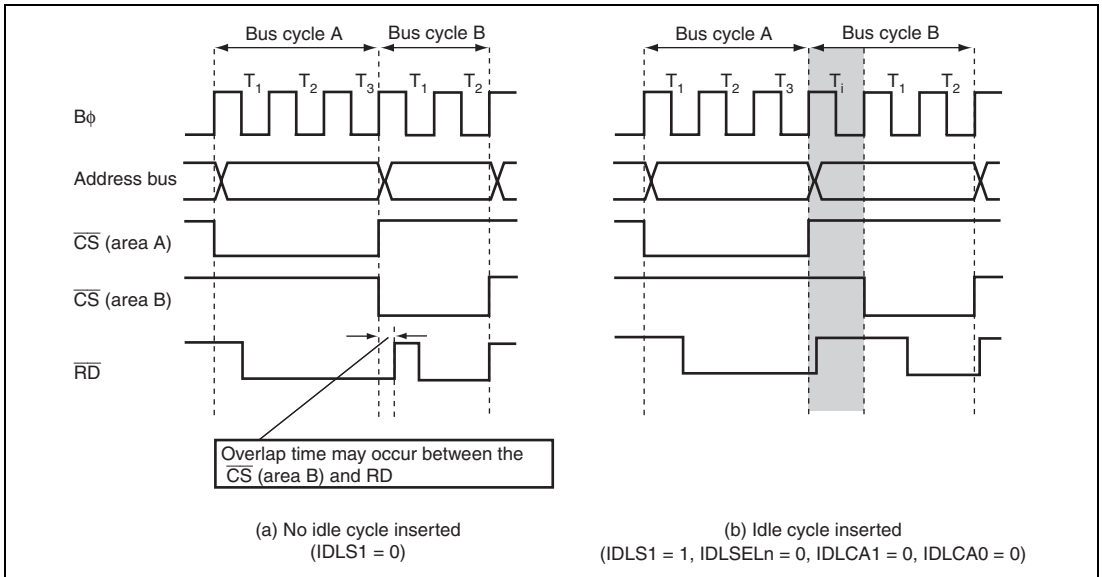
Figure 6.41 shows an example of external NOP and idle cycle insertion.



**Figure 6.41 Idle Cycle Insertion Example**

### (6) Relationship between Chip Select ( $\overline{CS}$ ) Signal and Read ( $\overline{RD}$ ) Signal

Depending on the system's load conditions, the  $\overline{RD}$  signal may lag behind the  $\overline{CS}$  signal. An example is shown in figure 6.42. In this case, with the setting for no idle cycle insertion (a), there may be a period of overlap between the  $\overline{RD}$  signal in bus cycle A and the  $\overline{CS}$  signal in bus cycle B. Setting idle cycle insertion, as in (b), however, will prevent any overlap between the  $\overline{RD}$  and  $\overline{CS}$  signals. In the initial state after reset release, idle cycle indicated in (b) is set.



**Figure 6.42 Relationship between Chip Select ( $\overline{CS}$ ) and Read ( $\overline{RD}$ )**

**Table 6.22 Idle Cycles in Mixed Accesses to Normal Space**

Previous Access	Next Access	IDL5				IDLSEL	IDLCA		IDLCB		Idle Cycle
		3	2	1	0	7 to 0	1	0	1	0	
Normal space read	Normal space read	—	—	0	—	—	—	—	—	—	Disabled
		—	—	1	—	0	0	0	—	—	1 cycle inserted
							0	1			2 cycles inserted
							1	0			3 cycles inserted
							1	1			4 cycles inserted
						1	—	—	0	0	0 cycle inserted
									0	1	2 cycle inserted
									1	0	3 cycles inserted
									1	1	4 cycles inserted
Normal space read	Normal space write	—	—	—	0	—	—	—	—	—	Disabled
		—	—	—	1	0	0	0	—	—	1 cycle inserted
							0	1			2 cycles inserted
							1	0			3 cycles inserted
							1	1			4 cycles inserted
						1	—	—	0	0	0 cycle inserted
									0	1	2 cycle inserted
									1	0	3 cycles inserted
									1	1	4 cycles inserted
Normal space write	Normal space read	—	0	—	—	—	—	—	—	—	Disabled
		—	1	—	—	—	0	0	—	—	1 cycle inserted
							0	1			2 cycles inserted
							1	0			3 cycles inserted
							1	1			4 cycles inserted
Single address transfer write	Normal space write	0	—	—	—	—	—	—	—	—	Disabled
		1	—	—	—	—	0	0	—	—	1 cycle inserted
							0	1			2 cycles inserted
							1	0			3 cycles inserted
							1	1			4 cycles inserted

### 6.10.2 Pin States in Idle Cycle

Table 6.23 shows the pin states in an idle cycle.

**Table 6.23 Pin States in Idle Cycle**

<b>Pins</b>	<b>Pin State</b>
A23 to A0	Contents of following bus cycle
D15 to D0	High impedance
$\overline{CS}_n$ (n = 7 to 0)	High
$\overline{AS}$	High
$\overline{RD}$	High
$\overline{BS}$	High
$\overline{RD}/\overline{WR}$	High
$\overline{AH}$	Low
$\overline{LHWR}$ , $\overline{LLWR}$	High
$\overline{DACK}_n$ (n = 3 to 0)	High



## 6.11 Bus Release

This LSI can release the external bus in response to a bus request from an external device. In the external bus released state, internal bus masters continue to operate as long as there is no external access.

In addition, in the external bus released state, the  $\overline{\text{BREQO}}$  signal can be driven low to output a bus request externally.

### 6.11.1 Operation

In external extended mode, when the BRLE bit in BCR1 is set to 1, and the ICR bit for the corresponding pin is set to 1, the bus can be released to the external. Driving the  $\overline{\text{BREQ}}$  pin low issues an external bus request to this LSI. When the  $\overline{\text{BREQ}}$  pin is sampled, at the prescribed timing, the  $\overline{\text{BACK}}$  pin is driven low, and the address bus, data bus, and bus control signals are placed in the high-impedance state, establishing the external bus released state. For details on DDR and ICR, see section 9, I/O Ports.

In the external bus released state, the CPU, DTC, and DMAC can access the internal space using the internal bus. When the CPU, DTC, or DMAC attempts to access the external address space, it temporarily defers initiation of the bus cycle, and waits for the bus request from the external bus master to be canceled.

In the external bus released state, when write access to SCKCR is granted to set the clock frequency, the current setting for the clock frequency is deferred until the bus request of the external bus master is canceled. For details of the SCKCR, see section 18, Clock Pulse Generator.

If the BREQOE bit in BCR1 is set to 1, the  $\overline{\text{BREQO}}$  pin can be driven low when any of the following requests are issued, to request cancellation of the bus request externally.

- When the CPU, DTC, or DMAC attempts to access the external address space
- When a SLEEP instruction is executed to place the chip in software standby mode or all-module-clock-stop mode
- When write access to SCKCR is granted to set the clock frequency

If an external bus release request and external access occur simultaneously, the priority is as follows:

(High) External bus release > External access by CPU, DTC, or DMAC (Low)

### 6.11.2 Pin States in External Bus Released State

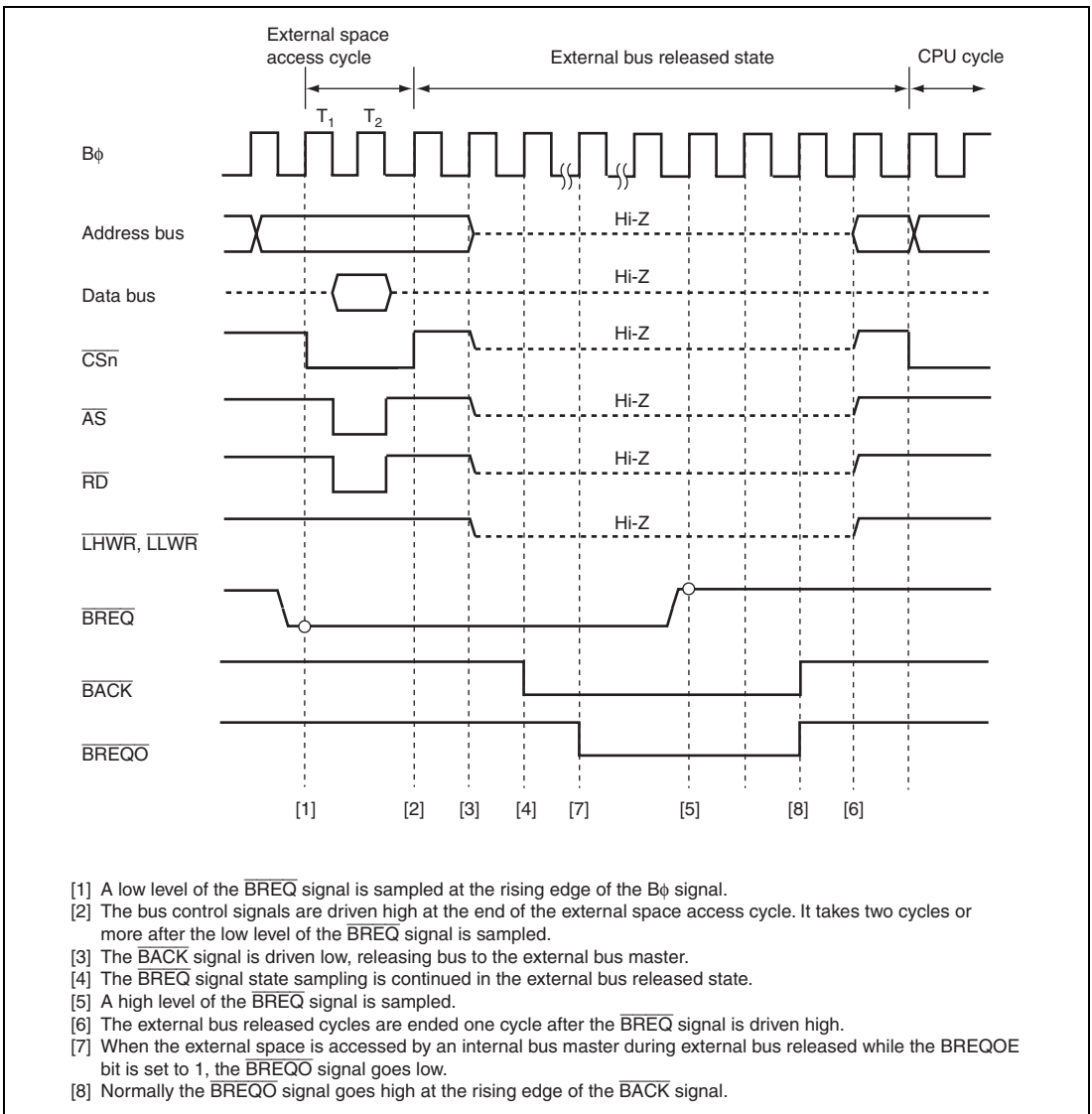
Table 6.24 shows pin states in the external bus released state.

**Table 6.24 Pin States in Bus Released State**

<b>Pins</b>	<b>Pin State</b>
A23 to A0	High impedance
D15 to D0	High impedance
$\overline{BS}$	High impedance
$\overline{CSn}$ (n = 7 to 0)	High impedance
$\overline{AS}$	High impedance
$\overline{AH}$	High impedance
$\overline{RD}/\overline{WR}$	High impedance
$\overline{RD}$	High impedance
$\overline{LUB}, \overline{LLB}$	High impedance
$\overline{LHWR}, \overline{LLWR}$	High impedance
$\overline{DACKn}$ (n = 3 to 0)	High level

### 6.11.3 Transition Timing

Figure 6.43 shows the timing for transition to the bus released state.



**Figure 6.43 Bus Released State Transition Timing**

## 6.12 Internal Bus

### 6.12.1 Access to Internal Address Space

The internal address spaces of this LSI are the on-chip RAM space and register space for the on-chip peripheral modules. The number of cycles necessary for access differs according the space.

Table 6.25 shows the number of access cycles for each on-chip memory space.

**Table 6.25 Number of Access Cycles for On-Chip Memory Spaces**

Access Space	Access	Number of Access Cycles
On-chip RAM space	Read	One $1\phi$ cycle
	Write	One $1\phi$ cycle

In access to the registers for on-chip peripheral modules, the number of access cycles differs according to the register to be accessed. When the dividing ratio of the operating clock of a bus master and that of a peripheral module is  $1 : n$ , synchronization cycles using a clock divided by 0 to  $n-1$  are inserted for register access in the same way as for external bus clock division.

The number of access cycles to the registers for on-chip peripheral modules is shown in table 6.26.

**Table 6.26 Number of Access Cycles for Registers of On-Chip Peripheral Modules**

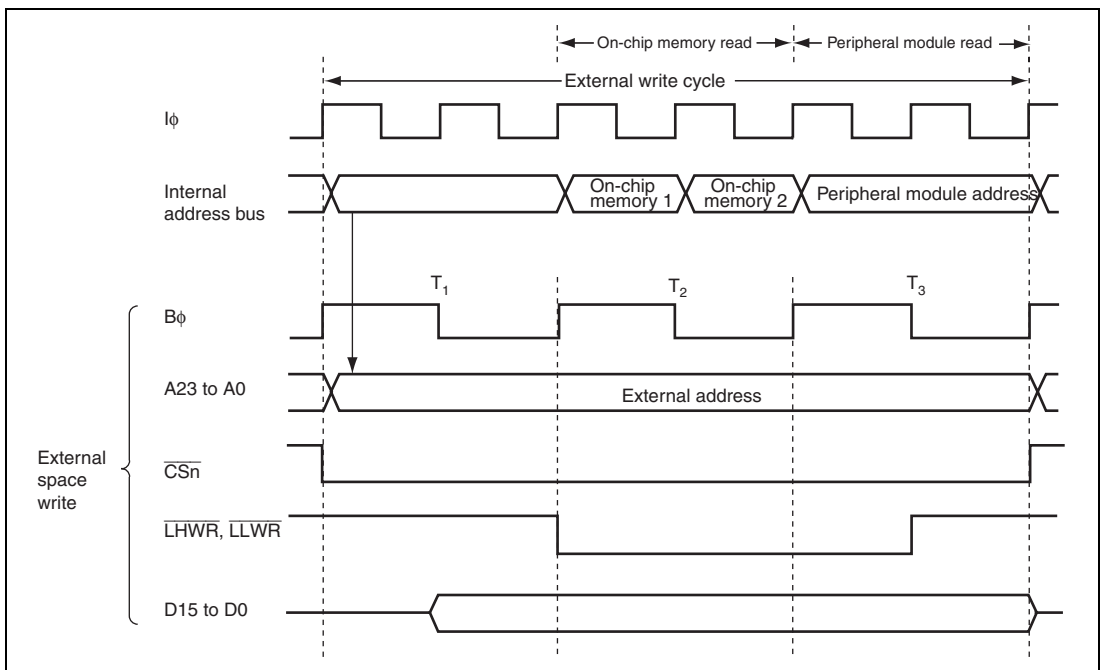
Module to be Accessed	Number of Cycles		Write Data Buffer Function
	Read	Write	
DMAC registers		$21\phi$	Disabled
MCU operating mode, clock pulse generator, power-down control registers, interrupt controller, bus controller, and DTC registers	$21\phi$	$31\phi$	Disabled
I/O port PFCR registers and WDT registers	$2P\phi$	$3P\phi$	Disabled
I/O port registers other than PFCR, TPU, PPG, TMR, SCI, A/D, and D/A registers		$2P\phi$	Enabled

## 6.13 Write Data Buffer Function

### 6.13.1 Write Data Buffer Function for External Data Bus

This LSI has a write data buffer function for the external data bus. Using the write data buffer function enables internal accesses in parallel with external writes or DMAC single address transfers. The write data buffer function is made available by setting the WDBE bit to 1 in BCR1.

Figure 6.44 shows an example of the timing when the write data buffer function is used. When this function is used, if an external address space write or a DMAC single address transfer continues for two cycles or longer, and there is an internal access next, an external write only is executed in the first two cycles. However, from the next cycle onward, internal accesses (on-chip memory or internal I/O register read/write) and the external address space write rather than waiting until it ends are executed in parallel.

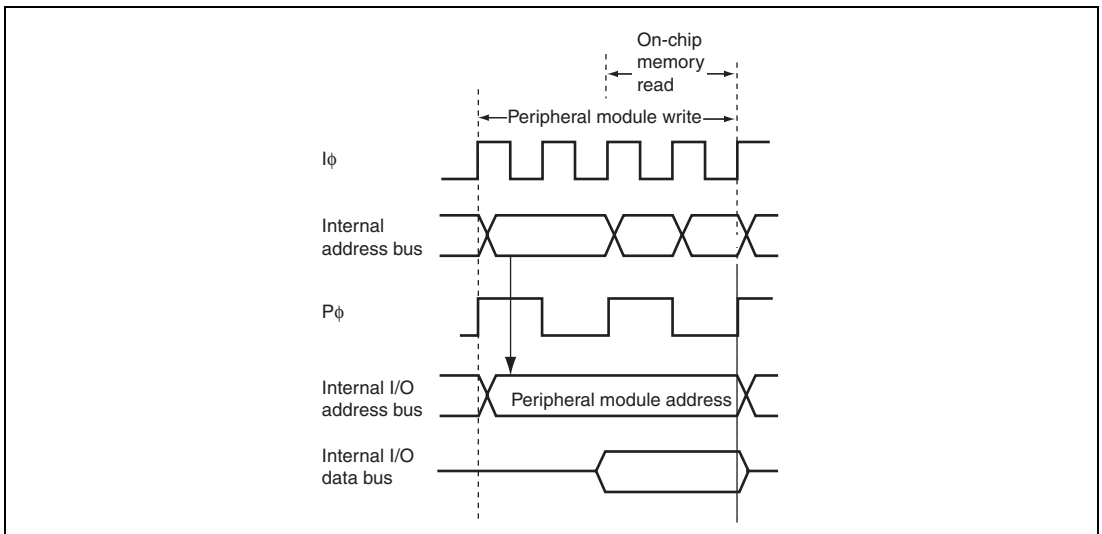


**Figure 6.44 Example of Timing when Write Data Buffer Function is Used**

### 6.13.2 Write Data Buffer Function for Peripheral Modules

This LSI has a write data buffer function for the peripheral module access. Using the write data buffer function enables peripheral module writes and on-chip memory or external access to be executed in parallel. The write data buffer function is made available by setting the PWDBE bit in BCR2 to 1. As for the peripheral module register space in which the write data buffer function is effective, see table 6.26 in section 6.12.

Figure 6.45 shows an example of the timing when the write data buffer function is used. When this function is used, if an internal I/O register write continues for two cycles or longer and then there is an on-chip RAM, or an external access, internal I/O register write only is performed in the first two cycles. However, from the next cycle onward an internal memory or an external access and internal I/O register write are executed in parallel rather than waiting until it ends.



**Figure 6.45 Example of Timing when Peripheral Module Write Data Buffer Function is Used**

## 6.14 Bus Arbitration

This LSI has bus arbiters that arbitrate bus mastership operations (bus arbitration). This LSI incorporates internal access and external access bus arbiters that can be used and controlled independently. The internal bus arbiter handles the CPU, DTC, and DMAC accesses. The external bus arbiter handles the external access by the CPU, DTC, and DMAC and external bus release request (external bus master).

The bus arbiters determine priorities at the prescribed timing, and permit use of the bus by means of the bus request acknowledge signal.

### 6.14.1 Operation

The bus arbiter detects the bus masters' bus request signals, and if the bus is requested, sends a bus request acknowledge signal to the bus master. If there are bus requests from more than one bus master, the bus request acknowledge signal is sent to the one with the highest priority. When a bus master receives the bus request acknowledge signal, it takes possession of the bus until that signal is canceled.

The priority of the internal bus arbitration:

(High) DMAC > DTC > CPU (Low)

The priority of the external bus arbitration:

(High) External bus release request > External access by the CPU, DTC, and DMAC (Low)

If the DMAC or DTC accesses continue, the CPU can be given priority over the DMAC or DTC to execute the bus cycles alternatively between them by setting the IBCCS bit in BCR2. In this case, the priority between the DMAC and DTC does not change.

An internal bus access by the CPU, DTC, or DMAC and an external bus access by an external bus release request can be executed in parallel.

### 6.14.2 Bus Transfer Timing

Even if a bus request is received from a bus master with a higher priority over that of the bus master that has taken control of the bus and is currently operating, the bus is not necessarily transferred immediately. There are specific timings at which each bus master can release the bus.

#### (1) CPU

The CPU is the lowest-priority bus master, and if a bus request is received from the DTC or DMAC, the bus arbiter transfers the bus to the bus master that issued the request.

The timing for transfer of the bus is at the end of the bus cycle. In sleep mode, the bus is transferred synchronously with the clock.

Note, however, that the bus cannot be transferred in the following cases.

- The word or longword access is performed in some divisions.
- Stack handling is performed in multiple bus cycles.
- Transfer data read or write by memory transfer instructions, block transfer instructions, or TAS instruction.

(In the block transfer instructions, the bus can be transferred in the write cycle and the following transfer data read cycle.)

- From the target read to write in the bit manipulation instructions or memory operation instructions.

(In an instruction that performs no write operation according to the instruction condition, up to a cycle corresponding the write cycle)

#### (2) DTC

The DTC sends the internal bus arbiter a request for the bus when an activation request is generated. When the DTC accesses an external bus space, the DTC first takes control of the bus from the internal bus arbiter and then requests a bus to the external bus arbiter.

Once the DTC takes control of the bus, the DTC continues the transfer processing cycles. If a bus master whose priority is higher than the DTC requests the bus, the DTC transfers the bus to the higher priority bus master. If the IBCCS bit in BCR2 is set to 1, the DTC transfers the bus to the CPU.



Note, however, that the bus cannot be transferred in the following cases.

- During transfer information read
- During the first data transfer
- During transfer information write back

The DTC releases the bus when the consecutive transfer cycles completed.

### (3) DMAC

The DMAC sends the internal bus arbiter a request for the bus when an activation request is generated. When the DMAC accesses an external bus space, the DMAC first takes control of the bus from the internal bus arbiter and then requests a bus to the external bus arbiter.

After the DMAC takes control of the bus, it may continue the transfer processing cycles or release the bus at the end of every bus cycle depending on the conditions.

The DMAC continues transfers without releasing the bus in the following case:

- Between the read cycle in the dual-address mode and the write cycle corresponding to the read cycle

If no bus master of a higher priority than the DMAC requests the bus and the IBCCS bit in BCR2 is cleared to 0, the DMAC continues transfers without releasing the bus in the following cases:

- During 1-block transfers in the block transfer mode
- During transfers in the burst mode

In other cases, the DMAC transfers the bus at the end of the bus cycle.

### (4) External Bus Release

When the  $\overline{\text{BREQ}}$  pin goes low and an external bus release request is issued while the BRLE bit in BCR1 and the ICR bit of the corresponding pin are set to 1, a bus request is sent to the bus arbiter.

External bus release can be performed on completion of an external bus cycle.

## 6.15 Bus Controller Operation in Reset

In a reset, this LSI, including the bus controller, enters the reset state immediately, and any executing bus cycle is aborted.

## 6.16 Usage Notes

### (1) Setting Registers

The BSC registers must be specified before accessing the external address space. When activating the external ROM, specify the registers before external accesses other than the instruction fetch from the external ROM are generated.

### (2) External Bus Release Function and All-Module-Clock-Stop Mode

In this LSI, if the ACSE bit in MSTPCRA is set to 1, and then a SLEEP instruction is executed with the setting for all peripheral module clocks to be stopped (MSTPCRA, MSTPCRB = H'FFFFFFF) or for operation of the 8-bit timer module alone (MSTPCRA, MSTPCRB = H'F[E to 0]FFFFFFF), and a transition is made to the sleep state, the all-module-clock-stop mode is entered in which the clock is also stopped for the bus controller and I/O ports. For details, see section 19, Power-Down Modes.

In this state, the external bus release function is halted. To use the external bus release function in sleep mode, the ACSE bit in MSTPCRA must be cleared to 0. Conversely, if a SLEEP instruction to place the chip in all-module-clock-stop mode is executed in the external bus released state, the transition to all-module-clock-stop mode is deferred and performed until after the bus is recovered.

### (3) External Bus Release Function and Software Standby

In this LSI, internal bus master operation does not stop even while the bus is released, as long as the program is running in on-chip RAM, etc., and no external access occurs. If a SLEEP instruction to place the chip in software standby mode is executed while the external bus is released, the transition to software standby mode is deferred and performed after the bus is recovered.

Also, since clock oscillation halts in software standby mode, if the  $\overline{\text{BREQ}}$  signal goes low in this mode, indicating an external bus release request, the request cannot be answered until the chip has recovered from the software standby mode.

Note that the  $\overline{\text{BACK}}$  and  $\overline{\text{BREQO}}$  pins are both in the high-impedance state in software standby mode.

#### (4) $\overline{\text{BREQO}}$ Output Timing

When the BREQOE bit is set to 1 and the  $\overline{\text{BREQO}}$  signal is output, both the  $\overline{\text{BREQO}}$  and  $\overline{\text{BACK}}$  signals may go low simultaneously.

This will occur if the next external access request occurs while internal bus arbitration is in progress after the chip samples a low level of the  $\overline{\text{BREQ}}$  signal.



## Section 7 DMA Controller (DMAC)

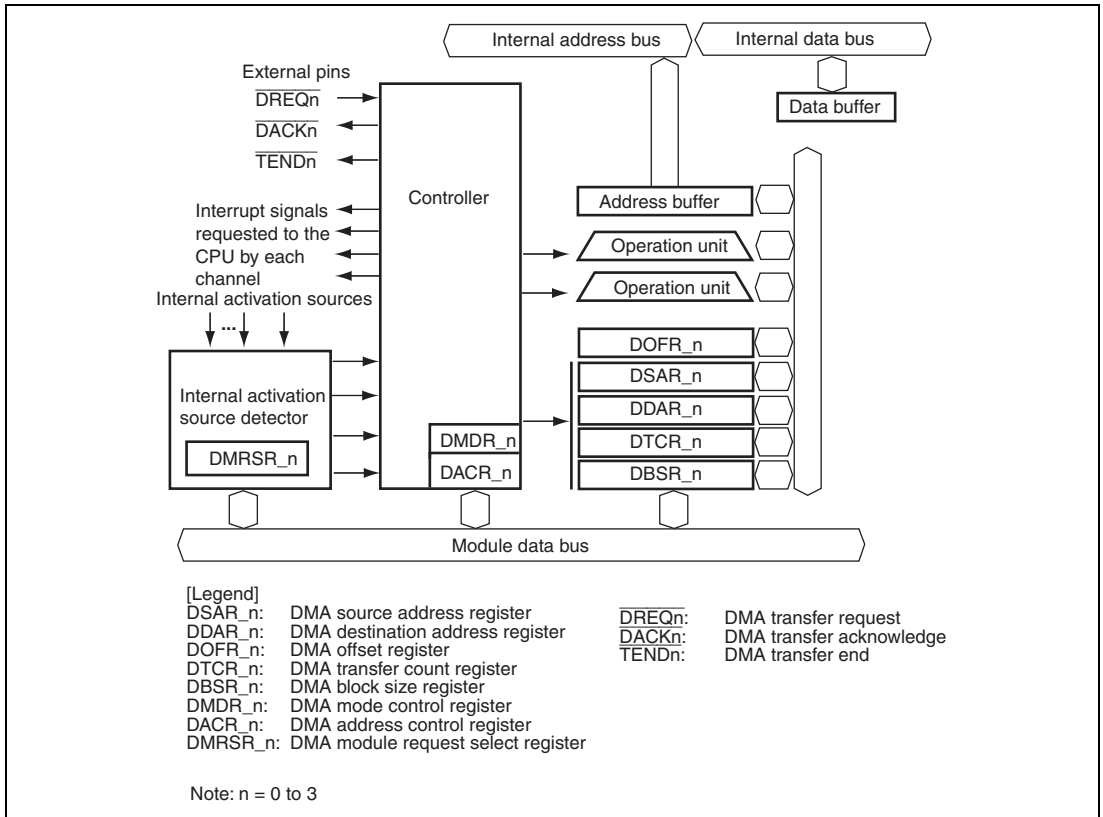
This LSI includes a 4-channel DMA controller (DMAC).

### 7.1 Features

- Maximum of 4-G byte address space can be accessed
- Byte, word, or longword can be set as data transfer unit
- Maximum of 4-G bytes (4,294,967,295 bytes) can be set as total transfer size  
Supports free-running mode in which total transfer size setting is not needed
- DMAC activation methods are auto-request, on-chip module interrupt, and external request.
  - Auto request: Activated by the CPU  
(cycle stealing or burst access can be selected)
  - On-chip module interrupt: Interrupt requests from on-chip peripheral modules can be selected as an activation source
  - External request: Low level or falling edge detection of the  $\overline{\text{DREQ}}$  signal can be selected. External request is available for all four channels.  
In block transfer mode, low level detection is only available.
- Dual or single address mode can be selected as address mode
  - Dual address mode: Both source and destination are specified by addresses
  - Single address mode: Either source or destination is specified by the  $\overline{\text{DREQ}}$  signal and the other is specified by address
- Normal, repeat, or block transfer can be selected as transfer mode
  - Normal transfer mode: One byte, one word, or one longword data is transferred at a single transfer request
  - Repeat transfer mode: One byte, one word, or one longword data is transferred at a single transfer request  
Repeat size of data is transferred and then a transfer address returns to the transfer start address  
Up to 65536 transfers (65,536 bytes/words/longwords) can be set as repeat size
  - Block transfer mode: One block data is transferred at a single transfer request  
Up to 65,536 bytes/words/longwords can be set as block size

- Extended repeat area function which repeats the addresses within a specified area using the transfer address with the fixed upper bits (ring buffer transfer can be performed, as an example) is available  
One bit (two bytes) to 27 bits (128 Mbytes) for transfer source and destination can be set as extended repeat areas
- Address update can be selected from fixed address, offset addition, and increment or decrement by 1, 2, or 4  
Address update by offset addition enables to transfer data at addresses which are not placed continuously
- Word or longword data can be transferred to an address which is not aligned with the respective boundary  
Data is divided according to its address (byte or word) when it is transferred
- Two types of interrupts can be requested to the CPU  
A transfer end interrupt is generated after the number of data specified by the transfer counter is transferred. A transfer escape end interrupt is generated when the remaining total transfer size is less than the transfer data size at a single transfer request, when the repeat size of data transfer is completed, or when the extended repeat area overflows.

A block diagram of the DMAC is shown in figure 7.1.



**Figure 7.1 Block Diagram of DMAC**

## 7.2 Input/Output Pins

Table 7.1 shows the pin configuration of the DMAC.

**Table 7.1 Pin Configuration**

Channel	Pin Name	Abbr.	I/O	Function
0	DMA transfer request 0	$\overline{\text{DREQ0}}$	Input	Channel 0 external request
	DMA transfer acknowledge 0	$\overline{\text{DACK0}}$	Output	Channel 0 single address transfer acknowledge
	DMA transfer end 0	$\overline{\text{TEND0}}$	Output	Channel 0 transfer end
1	DMA transfer request 1	$\overline{\text{DREQ1}}$	Input	Channel 1 external request
	DMA transfer acknowledge 1	$\overline{\text{DACK1}}$	Output	Channel 1 single address transfer acknowledge
	DMA transfer end 1	$\overline{\text{TEND1}}$	Output	Channel 1 transfer end
2	DMA transfer request 2	$\overline{\text{DREQ2}}$	Input	Channel 2 external request
	DMA transfer acknowledge 2	$\overline{\text{DACK2}}$	Output	Channel 2 single address transfer acknowledge
	DMA transfer end 2	$\overline{\text{TEND2}}$	Output	Channel 2 transfer end
3	DMA transfer request 3	$\overline{\text{DREQ3}}$	Input	Channel 3 external request
	DMA transfer acknowledge 3	$\overline{\text{DACK3}}$	Output	Channel 3 single address transfer acknowledge
	DMA transfer end 3	$\overline{\text{TEND3}}$	Output	Channel 3 transfer end



## 7.3 Register Descriptions

The DMAC has the following registers.

### Channel 0:

- DMA source address register\_0 (DSAR\_0)
- DMA destination address register\_0 (DDAR\_0)
- DMA offset register\_0 (DOFR\_0)
- DMA transfer count register\_0 (DTCR\_0)
- DMA block size register\_0 (DBSR\_0)
- DMA mode control register\_0 (DMDR\_0)
- DMA address control register\_0 (DACR\_0)
- DMA module request select register\_0 (DMRSR\_0)

### Channel 1:

- DMA source address register\_1 (DSAR\_1)
- DMA destination address register\_1 (DDAR\_1)
- DMA offset register\_1 (DOFR\_1)
- DMA transfer count register\_1 (DTCR\_1)
- DMA block size register\_1 (DBSR\_1)
- DMA mode control register\_1 (DMDR\_1)
- DMA address control register\_1 (DACR\_1)
- DMA module request select register\_1 (DMRSR\_1)

### Channel 2:

- DMA source address register\_2 (DSAR\_2)
- DMA destination address register\_2 (DDAR\_2)
- DMA offset register\_2 (DOFR\_2)
- DMA transfer count register\_2 (DTCR\_2)
- DMA block size register\_2 (DBSR\_2)
- DMA mode control register\_2 (DMDR\_2)
- DMA address control register\_2 (DACR\_2)
- DMA module request select register\_2 (DMRSR\_2)

### Channel 3:

- DMA source address register\_3 (DSAR\_3)
- DMA destination address register\_3 (DDAR\_3)
- DMA offset register\_3 (DOFR\_3)
- DMA transfer count register\_3 (DTCR\_3)
- DMA block size register\_3 (DBSR\_3)
- DMA mode control register\_3 (DMDR\_3)
- DMA address control register\_3 (DACR\_3)
- DMA module request select register\_3 (DMRSR\_3)

### 7.3.1 DMA Source Address Register (DSAR)

DSAR is a 32-bit readable/writable register that specifies the transfer source address. DSAR updates the transfer source address every time data is transferred. When DDAR is specified as the destination address (the DIRS bit in DACR is 1) in single address mode, DSAR is ignored.

Although DSAR can always be read from by the CPU, it must be read from in longwords and must not be written to while data for the channel is being transferred.

Bit	31	30	29	28	27	26	25	24
Bit Name								
Initial Value	0	0	0	0	0	0	0	0
R/W	R/W	R/W	R/W	R/W	R/W	R/W	R/W	R/W
Bit	23	22	21	20	19	18	17	16
Bit Name								
Initial Value	0	0	0	0	0	0	0	0
R/W	R/W	R/W	R/W	R/W	R/W	R/W	R/W	R/W
Bit	15	14	13	12	11	10	9	8
Bit Name								
Initial Value	0	0	0	0	0	0	0	0
R/W	R/W	R/W	R/W	R/W	R/W	R/W	R/W	R/W
Bit	7	6	5	4	3	2	1	0
Bit Name								
Initial Value	0	0	0	0	0	0	0	0
R/W	R/W	R/W	R/W	R/W	R/W	R/W	R/W	R/W

### 7.3.2 DMA Destination Address Register (DDAR)

DDAR is a 32-bit readable/writable register that specifies the transfer destination address. DDAR updates the transfer destination address every time data is transferred. When DSAR is specified as the source address (the DIRS bit in DACR is 0) in single address mode, DDAR is ignored.

Although DDAR can always be read from by the CPU, it must be read from in longwords and must not be written to while data for the channel is being transferred.

Bit	31	30	29	28	27	26	25	24
Bit Name								
Initial Value	0	0	0	0	0	0	0	0
R/W	R/W	R/W	R/W	R/W	R/W	R/W	R/W	R/W
Bit	23	22	21	20	19	18	17	16
Bit Name								
Initial Value	0	0	0	0	0	0	0	0
R/W	R/W	R/W	R/W	R/W	R/W	R/W	R/W	R/W
Bit	15	14	13	12	11	10	9	8
Bit Name								
Initial Value	0	0	0	0	0	0	0	0
R/W	R/W	R/W	R/W	R/W	R/W	R/W	R/W	R/W
Bit	7	6	5	4	3	2	1	0
Bit Name								
Initial Value	0	0	0	0	0	0	0	0
R/W	R/W	R/W	R/W	R/W	R/W	R/W	R/W	R/W

### 7.3.3 DMA Offset Register (DOFR)

DOFR is a 32-bit readable/writable register that specifies the offset to update the source and destination addresses. Although different values are specified for individual channels, the same values must be specified for the source and destination sides of a single channel.

Bit	31	30	29	28	27	26	25	24
Bit Name								
Initial Value	0	0	0	0	0	0	0	0
R/W	R/W	R/W	R/W	R/W	R/W	R/W	R/W	R/W
Bit	23	22	21	20	19	18	17	16
Bit Name								
Initial Value	0	0	0	0	0	0	0	0
R/W	R/W	R/W	R/W	R/W	R/W	R/W	R/W	R/W
Bit	15	14	13	12	11	10	9	8
Bit Name								
Initial Value	0	0	0	0	0	0	0	0
R/W	R/W	R/W	R/W	R/W	R/W	R/W	R/W	R/W
Bit	7	6	5	4	3	2	1	0
Bit Name								
Initial Value	0	0	0	0	0	0	0	0
R/W	R/W	R/W	R/W	R/W	R/W	R/W	R/W	R/W

### 7.3.4 DMA Transfer Count Register (DTCR)

DTCR is a 32-bit readable/writable register that specifies the size of data to be transferred (total transfer size).

To transfer 1-byte data in total, set H'00000001 in DTCR. When H'00000000 is set in this register, it means that the total transfer size is not specified and data is transferred with the transfer counter stopped (free running mode). When H'FFFFFFFF is set, the total transfer size is 4 Gbytes (4,294,967,295), which is the maximum size. While data is being transferred, this register indicates the remaining transfer size. The value corresponding to its data access size is subtracted every time data is transferred (byte: -1, word: -2, and longword: -4).

Although DTCR can always be read from by the CPU, it must be read from in longwords and must not be written to while data for the channel is being transferred.

Bit	31	30	29	28	27	26	25	24
Bit Name								
Initial Value	0	0	0	0	0	0	0	0
R/W	R/W	R/W	R/W	R/W	R/W	R/W	R/W	R/W
Bit	23	22	21	20	19	18	17	16
Bit Name								
Initial Value	0	0	0	0	0	0	0	0
R/W	R/W	R/W	R/W	R/W	R/W	R/W	R/W	R/W
Bit	15	14	13	12	11	10	9	8
Bit Name								
Initial Value	0	0	0	0	0	0	0	0
R/W	R/W	R/W	R/W	R/W	R/W	R/W	R/W	R/W
Bit	7	6	5	4	3	2	1	0
Bit Name								
Initial Value	0	0	0	0	0	0	0	0
R/W	R/W	R/W	R/W	R/W	R/W	R/W	R/W	R/W

### 7.3.5 DMA Block Size Register (DBSR)

DBSR specifies the repeat size or block size. DBSR is enabled in repeat transfer mode and block transfer mode and is disabled in normal transfer mode.

Bit	31	30	29	28	27	26	25	24
Bit Name	BKSZH31	BKSZH30	BKSZH29	BKSZH28	BKSZH27	BKSZH26	BKSZH25	BKSZH24
Initial Value	0	0	0	0	0	0	0	0
R/W	R/W	R/W	R/W	R/W	R/W	R/W	R/W	R/W
Bit	23	22	21	20	19	18	17	16
Bit Name	BKSZH23	BKSZH22	BKSZH21	BKSZH20	BKSZH19	BKSZH18	BKSZH17	BKSZH16
Initial Value	0	0	0	0	0	0	0	0
R/W	R/W	R/W	R/W	R/W	R/W	R/W	R/W	R/W
Bit	15	14	13	12	11	10	9	8
Bit Name	BKSZ15	BKSZ14	BKSZ13	BKSZ12	BKSZ11	BKSZ10	BKSZ9	BKSZ8
Initial Value	0	0	0	0	0	0	0	0
R/W	R/W	R/W	R/W	R/W	R/W	R/W	R/W	R/W
Bit	7	6	5	4	3	2	1	0
Bit Name	BKSZ7	BKSZ6	BKSZ5	BKSZ4	BKSZ3	BKSZ2	BKSZ1	BKSZ0
Initial Value	0	0	0	0	0	0	0	0
R/W	R/W	R/W	R/W	R/W	R/W	R/W	R/W	R/W

Bit	Bit Name	Initial Value	R/W	Description
31 to 16	BKSZH31 to BKSZH16	Undefined	R/W	Specify the repeat size or block size. When H'0001 is set, the repeat or block size is one byte, one word, or one longword. When H'0000 is set, it means the maximum value (refer to table 7.1). While the DMA is in operation, the setting is fixed.
15 to 0	BKSZ15 to BKSZ0	Undefined	R/W	Indicate the remaining repeat or block size while the DMA is in operation. The value is decremented by 1 every time data is transferred. When the remaining size becomes 0, the value of the BKSZH bits is loaded. Set the same value as the BKSZH bits.

**Table 7.2 Data Access Size, Valid Bits, and Settable Size**

Mode	Data Access Size	BKSZH Valid Bits	BKSZ Valid Bits	Settable Size (Byte)
Repeat transfer and block transfer	Byte	31 to 16	15 to 0	1 to 65,536
	Word			2 to 131,072
	Longword			4 to 262,144

**7.3.6 DMA Mode Control Register (DMDR)**

DMDR controls the DMAC operation.

- DMDR\_0

Bit	31	30	29	28	27	26	25	24
Bit Name	DTE	DACKE	TENDE	—	DREQS	NRD	—	—
Initial Value	0	0	0	0	0	0	0	0
R/W	R/W	R/W	R/W	R/W	R/W	R/W	R	R
Bit	23	22	21	20	19	18	17	16
Bit Name	ACT	—	—	—	ERRF	—	ESIF	DTIF
Initial Value	0	0	0	0	0	0	0	0
R/W	R	R	R	R	R/(W)*	R	R/(W)*	R/(W)*
Bit	15	14	13	12	11	10	9	8
Bit Name	DTSZ1	DTSZ0	MDS1	MDS0	TSEIE	—	ESIE	DTIE
Initial Value	0	0	0	0	0	0	0	0
R/W	R/W	R/W	R/W	R/W	R/W	R	R/W	R/W
Bit	7	6	5	4	3	2	1	0
Bit Name	DTF1	DTF0	DTA	—	—	DMAP2	DMAP1	DMAPO
Initial Value	0	0	0	0	0	0	0	0
R/W	R/W	R/W	R/W	R	R	R/W	R/W	R/W

Note: \* Only 0 can be written to this bit after having been read as 1, to clear the flag.



- DMDR\_1 to DMDR\_3

Bit	31	30	29	28	27	26	25	24
Bit Name	DTE	DACKE	TENDE	—	DREQS	NRD	—	—
Initial Value	0	0	0	0	0	0	0	0
R/W	R/W	R/W	R/W	R/W	R/W	R/W	R	R
Bit	23	22	21	20	19	18	17	16
Bit Name	ACT	—	—	—	—	—	ESIF	DTIF
Initial Value	0	0	0	0	0	0	0	0
R/W	R	R	R	R	R	R	R/(W)*	R/(W)*
Bit	15	14	13	12	11	10	9	8
Bit Name	DTSZ1	DTSZ0	MDS1	MDS0	TSEIE	—	ESIE	DTIE
Initial Value	0	0	0	0	0	0	0	0
R/W	R/W	R/W	R/W	R/W	R/W	R	R/W	R/W
Bit	7	6	5	4	3	2	1	0
Bit Name	DTF1	DTF0	DTA	—	—	DMAP2	DMAP1	DMAPO
Initial Value	0	0	0	0	0	0	0	0
R/W	R/W	R/W	R/W	R	R	R/W	R/W	R/W

Note: \* Only 0 can be written to this bit after having been read as 1, to clear the flag.

Bit	Bit Name	Initial Value	R/W	Description
31	DTE	0	R/W	<p>Data Transfer Enable</p> <p>Enables/disables a data transfer for the corresponding channel. When this bit is set to 1, it indicates that the DMAC is in operation.</p> <p>Setting this bit to 1 starts a transfer when the auto-request is selected. When the on-chip module interrupt or external request is selected, a transfer request after setting this bit to 1 starts the transfer. While data is being transferred, clearing this bit to 0 stops the transfer.</p> <p>In block transfer mode, if writing 0 to this bit while data is being transferred, this bit is cleared to 0 after the current 1-block size data transfer.</p> <p>If an event which stops (sustains) a transfer occurs externally, this bit is automatically cleared to 0 to stop the transfer.</p> <p>Operating modes and transfer methods must not be changed while this bit is set to 1.</p> <p>0: Disables a data transfer 1: Enables a data transfer (DMA is in operation)</p> <p>[Clearing conditions]</p> <ul style="list-style-type: none"> <li>• When the specified total transfer size of transfers is completed</li> <li>• When a transfer is stopped by an overflow interrupt by a repeat size end</li> <li>• When a transfer is stopped by an overflow interrupt by an extended repeat size end</li> <li>• When a transfer is stopped by a transfer size error interrupt</li> <li>• When clearing this bit to 0 to stop a transfer</li> </ul> <p>In block transfer mode, this bit changes after the current block transfer.</p> <ul style="list-style-type: none"> <li>• When an address error or an NMI interrupt is requested</li> <li>• In the reset state or hardware standby mode</li> </ul>

Bit	Bit Name	Initial Value	R/W	Description
30	DACKE	0	R/W	<p><math>\overline{\text{DACK}}</math> Signal Output Enable</p> <p>Enables/disables the <math>\overline{\text{DACK}}</math> signal output in single address mode. This bit is ignored in dual address mode.</p> <p>0: Enables <math>\overline{\text{DACK}}</math> signal output</p> <p>1: Disables <math>\overline{\text{DACK}}</math> signal output</p>
29	TENDE	0	R/W	<p><math>\overline{\text{TEND}}</math> Signal Output Enable</p> <p>Enables/disables the <math>\overline{\text{TEND}}</math> signal output.</p> <p>0: Enables <math>\overline{\text{TEND}}</math> signal output</p> <p>1: Disables <math>\overline{\text{TEND}}</math> signal output</p>
28	—	0	R/W	<p>Reserved</p> <p>Initial value should not be changed.</p>
27	DREQS	0	R/W	<p><math>\overline{\text{DREQ}}</math> Select</p> <p>Selects whether a low level or the falling edge of the <math>\overline{\text{DREQ}}</math> signal used in external request mode is detected. When a block transfer is performed in external request mode, clear this bit to 0.</p> <p>0: Low level detection</p> <p>1: Falling edge detection (the first transfer after a transfer enabled is detected on a low level)</p>
26	NRD	0	R/W	<p>Next Request Delay</p> <p>Selects the accepting timing of the next transfer request.</p> <p>0: Starts accepting the next transfer request after completion of the current transfer</p> <p>1: Starts accepting the next transfer request one cycle after completion of the current transfer</p>
25, 24	—	All 0	R	<p>Reserved</p> <p>These bits are always read as 0 and cannot be modified.</p>
23	ACT	0	R	<p>Active State</p> <p>Indicates the operating state for the channel.</p> <p>0: Waiting for a transfer request or a transfer disabled state by clearing the DTE bit to 0</p> <p>1: Active state</p>
22 to 20	—	All 0	R	<p>Reserved</p> <p>These bits are always read as 0 and cannot be modified.</p>

Bit	Bit Name	Initial Value	R/W	Description
19	ERRF	0	R/(W)*	<p>System Error Flag</p> <p>Indicates that an address error or an NMI interrupt has been generated. This bit is available only in DMDR_0. Setting this bit to 1 prohibits writing to the DTE bit for all the channels. This bit is reserved in DMDR_1 to DMDR_3. It is always read as 0 and cannot be modified.</p> <p>0: An address error or an NMI interrupt has not been generated</p> <p>1: An address error or an NMI interrupt has been generated</p> <p>[Clearing condition]</p> <ul style="list-style-type: none"> <li>When clearing to 0 after reading ERRF = 1</li> </ul> <p>[Setting condition]</p> <ul style="list-style-type: none"> <li>When an address error or an NMI interrupt has been generated</li> </ul> <p>However, when an address error or an NMI interrupt has been generated in DMAC module stop mode, this bit is not set to 1.</p>
18	—	0	R	<p>Reserved</p> <p>This bit is always read as 0 and cannot be modified.</p>
17	ESIF	0	R/(W)*	<p>Transfer Escape Interrupt Flag</p> <p>Indicates that a transfer escape end interrupt has been requested. A transfer escape end means that a transfer is terminated before the transfer counter reaches 0.</p> <p>0: A transfer escape end interrupt has not been requested</p> <p>1: A transfer escape end interrupt has been requested</p> <p>[Clearing conditions]</p> <ul style="list-style-type: none"> <li>When setting the DTE bit to 1</li> <li>When clearing to 0 before reading ESIF = 1</li> </ul> <p>[Setting conditions]</p> <ul style="list-style-type: none"> <li>When a transfer size error interrupt is requested</li> <li>When a repeat size end interrupt is requested</li> <li>When a transfer end interrupt by an extended repeat area overflow is requested</li> </ul>

Bit	Bit Name	Initial Value	R/W	Description
16	DTIF	0	R/(W)*	<p>Data Transfer Interrupt Flag</p> <p>Indicates that a transfer end interrupt by the transfer counter has been requested.</p> <p>0: A transfer end interrupt by the transfer counter has not been requested</p> <p>1: A transfer end interrupt by the transfer counter has been requested</p> <p>[Clearing conditions]</p> <ul style="list-style-type: none"> <li>• When setting the DTE bit to 1</li> <li>• When clearing to 0 after reading DTIF = 1</li> </ul> <p>[Setting condition]</p> <ul style="list-style-type: none"> <li>• When DTCR reaches 0 and the transfer is completed</li> </ul>
15	DTSZ1	0	R/W	Data Access Size 1 and 0
14	DTSZ0	0	R/W	<p>Select the data access size for a transfer.</p> <p>00: Byte size (eight bits)</p> <p>01: Word size (16 bits)</p> <p>10: Longword size (32 bits)</p> <p>11: Setting prohibited</p>
13	MDS1	0	R/W	Transfer Mode Select 1 and 0
12	MDS0	0	R/W	<p>Select the transfer mode.</p> <p>00: Normal transfer mode</p> <p>01: Block transfer mode</p> <p>10: Repeat transfer mode</p> <p>11: Setting prohibited</p>

Bit	Bit Name	Initial Value	R/W	Description
11	TSEIE	0	R/W	<p>Transfer Size Error Interrupt Enable</p> <p>Enables/disables a transfer size error interrupt.</p> <p>When the next transfer is requested while this bit is set to 1 and the contents of the transfer counter is less than the size of data to be transferred at a single transfer request, the DTE bit is cleared to 0. At this time, the ESIF bit is set to 1 to indicate that a transfer size error interrupt has been requested.</p> <p>The sources of a transfer size error are as follows:</p> <ul style="list-style-type: none"> <li>• In normal or repeat transfer mode, the total transfer size set in DTCR is less than the data access size</li> <li>• In block transfer mode, the total transfer size set in DTCR is less than the block size</li> </ul> <p>0: Disables a transfer size error interrupt request 1: Enables a transfer size error interrupt request</p>
10	—	0	R	<p>Reserved</p> <p>This bit is always read as 0 and cannot be modified.</p>
9	ESIE	0	R/W	<p>Transfer Escape Interrupt Enable</p> <p>Enables/disables a transfer escape end interrupt request. When the ESIF bit is set to 1 with this bit set to 1, a transfer escape end interrupt is requested to the CPU or DTC. The transfer end interrupt request is cleared by clearing this bit or the ESIF bit to 0.</p> <p>0: Disables a transfer escape end interrupt 1: Enables a transfer escape end interrupt</p>
8	DTIE	0	R/W	<p>Data Transfer End Interrupt Enable</p> <p>Enables/disables a transfer end interrupt request by the transfer counter. When the DTIF bit is set to 1 with this bit set to 1, a transfer end interrupt is requested to the CPU or DTC. The transfer end interrupt request is cleared by clearing this bit or the DTIF bit to 0.</p> <p>0: Disables a transfer end interrupt 1: Enables a transfer end interrupt</p>

Bit	Bit Name	Initial Value	R/W	Description
7	DTF1	0	R/W	Data Transfer Factor 1 and 0
6	DTF0	0	R/W	Select a DMAC activation source. When the on-chip peripheral module setting is selected, the interrupt source should be selected by DMRSR. When the external request setting is selected, the sampling method should be selected by the DREQS bit.  00: Auto request (cycle stealing) 01: Auto request (burst access) 10: On-chip module interrupt 11: External request
5	DTA	0	R/W	Data Transfer Acknowledge  This bit is valid in DMA transfer by the on-chip module interrupt source. This bit enables or disables to clear the source flag selected by DMRSR.  0: To clear the source in DMA transfer is disabled. Since the on-chip module interrupt source is not cleared in DMA transfer, it should be cleared by the CPU or DTC transfer.  1: To clear the source in DMA transfer is enabled. Since the on-chip module interrupt source is cleared in DMA transfer, it does not require an interrupt by the CPU or DTC transfer.
4, 3	—	All 0	R	Reserved  These bits are always read as 0 and cannot be modified.

Bit	Bit Name	Initial Value	R/W	Description
2	DMAP2	0	R/W	DMA Priority Level 2 to 0
1	DMAP1	0	R/W	Select the priority level of the DMAC when using the CPU priority control function over DTC and DMAC.
0	DMAP0	0	R/W	When the CPU has priority over the DMAC, the DMAC masks a transfer request and waits for the timing when the CPU priority becomes lower than the DMAC priority. The priority levels can be set to the individual channels. This bit is valid when the CPUPCE bit in CPUPCR is set to 1.  000: Priority level 0 (low) 001: Priority level 1 010: Priority level 2 011: Priority level 3 100: Priority level 4 101: Priority level 5 110: Priority level 6 111: Priority level 7 (high)

Note: \* Only 0 can be written to, to clear the flag.



### 7.3.7 DMA Address Control Register (DACR)

DACR specifies the operating mode and transfer method.

Bit	31	30	29	28	27	26	25	24
Bit Name	AMS	DIRS	—	—	—	RPTIE	ARS1	ARS0
Initial Value	0	0	0	0	0	0	0	0
R/W	R/W	R/W	R	R	R	R/W	R/W	R/W
Bit	23	22	21	20	19	18	17	16
Bit Name	—	—	SAT1	SAT0	—	—	DAT1	DAT0
Initial Value	0	0	0	0	0	0	0	0
R/W	R	R	R/W	R/W	R	R	R/W	R/W
Bit	15	14	13	12	11	10	9	8
Bit Name	SARIE	—	—	SARA4	SARA3	SARA2	SARA1	SARA0
Initial Value	0	0	0	0	0	0	0	0
R/W	R/W	R	R	R/W	R/W	R/W	R/W	R/W
Bit	7	6	5	4	3	2	1	0
Bit Name	DARIE	—	—	DARA4	DARA3	DARA2	DARA1	DARA0
Initial Value	0	0	0	0	0	0	0	0
R/W	R/W	R	R	R/W	R/W	R/W	R/W	R/W

Bit	Bit Name	Initial Value	R/W	Description
31	AMS	0	R/W	Address Mode Select Selects address mode from single or dual address mode. In single address mode, the DACK pin is enabled according to the DACKE bit. 0: Dual address mode 1: Single address mode

Bit	Bit Name	Initial Value	R/W	Description
30	DIRS	0	R/W	<p>Single Address Direction Select</p> <p>Specifies the data transfer direction in single address mode. This bit is ignored in dual address mode.</p> <p>0: Specifies DSAR as source address</p> <p>1: Specifies DDAR as destination address</p>
29 to 27	—	0	R/W	<p>Reserved</p> <p>These bits are always read as 0 and cannot be modified.</p>
26	RPTIE	0	R/W	<p>Repeat Size End Interrupt Enable</p> <p>Enables/disables a repeat size end interrupt request.</p> <p>In repeat transfer mode, when the next transfer is requested after completion of a 1-repeat-size data transfer while this bit is set to 1, the DTE bit in DMDR is cleared to 0. At this time, the ESIF bit in DMDR is set to 1 to indicate that a repeat size end interrupt is requested. Even when the repeat area is not specified (ARS1 = 1 and ARS0 = 0), a repeat size end interrupt after a 1-block data transfer can be requested.</p> <p>In addition, in block transfer mode, when the next transfer is requested after 1-block data transfer while this bit is set to 1, the DTE bit in DMDR is cleared to 0. At this time, the ESIF bit in DMDR is set to 1 to indicate that a repeat size end interrupt is requested.</p> <p>0: Disables a repeat size end interrupt</p> <p>1: Enables a repeat size end interrupt</p>
25	ARS1	0	R/W	Area Select 1 and 0
24	ARS0	0	R/W	<p>Specify the block area or repeat area in block or repeat transfer mode.</p> <p>00: Specify the block area or repeat area on the source address</p> <p>01: Specify the block area or repeat area on the destination address</p> <p>10: Do not specify the block area or repeat area</p> <p>11: Setting prohibited</p>

Bit	Bit Name	Initial Value	R/W	Description
23, 22	—	All 0	R	Reserved These bits are always read as 0 and cannot be modified.
21	SAT1	0	R/W	Source Address Update Mode 1 and 0
20	SAT0	0	R/W	Select the update method of the source address (DSAR). When DSAR is not specified as the transfer source in single address mode, this bit is ignored. 00: Source address is fixed 01: Source address is updated by adding the offset 10: Source address is updated by adding 1, 2, or 4 according to the data access size 11: Source address is updated by subtracting 1, 2, or 4 according to the data access size
19, 18	—	All 0	R	Reserved These bits are always read as 0 and cannot be modified.
17	DAT1	0	R/W	Destination Address Update Mode 1 and 0
16	DAT0	0	R/W	Select the update method of the destination address (DDAR). When DDAR is not specified as the transfer destination in single address mode, this bit is ignored. 00: Destination address is fixed 01: Destination address is updated by adding the offset 10: Destination address is updated by adding 1, 2, or 4 according to the data access size 11: Destination address is updated by subtracting 1, 2, or 4 according to the data access size

Bit	Bit Name	Initial Value	R/W	Description
15	SARIE	0	R/W	<p>Interrupt Enable for Source Address Extended Area Overflow</p> <p>Enables/disables an interrupt request for an extended area overflow on the source address.</p> <p>When an extended repeat area overflow on the source address occurs while this bit is set to 1, the DTE bit in DMDR is cleared to 0. At this time, the ESIF bit in DMDR is set to 1 to indicate an interrupt by an extended repeat area overflow on the source address is requested.</p> <p>When block transfer mode is used with the extended repeat area function, an interrupt is requested after completion of a 1-block size transfer. When setting the DTE bit in DMDR of the channel for which a transfer has been stopped to 1, the transfer is resumed from the state when the transfer is stopped.</p> <p>When the extended repeat area is not specified, this bit is ignored.</p> <p>0: Disables an interrupt request for an extended area overflow on the source address</p> <p>1: Enables an interrupt request for an extended area overflow on the source address</p>
14, 13	—	All 0	R	<p>Reserved</p> <p>These bits are always read as 0 and cannot be modified.</p>

Bit	Bit Name	Initial Value	R/W	Description
12	SARA4	0	R/W	Source Address Extended Repeat Area
11	SARA3	0	R/W	Specify the extended repeat area on the source address (DSAR). With the extended repeat area, the specified lower address bits are updated and the remaining upper address bits are fixed. The extended repeat area size is specified from four bytes to 128 Mbytes in units of byte and a power of 2.  When the lower address is overflowed from the extended repeat area by address update, the address becomes the start address and the end address of the area for address addition and subtraction, respectively.  When an overflow in the extended repeat area occurs with the SARIE bit set to 1, an interrupt can be requested. Table 7.3 shows the settings and areas of the extended repeat area.
10	SARA2	0	R/W	
9	SARA1	0	R/W	
8	SARA0	0	R/W	
7	DARIE	0	R/W	Destination Address Extended Repeat Area Overflow Interrupt Enable  Enables/disables an interrupt request for an extended area overflow on the destination address.  When an extended repeat area overflow on the destination address occurs while this bit is set to 1, the DTE bit in DMDR is cleared to 0. At this time, the ESIF bit in DMDR is set to 1 to indicate an interrupt by an extended repeat area overflow on the destination address is requested.  When block transfer mode is used with the extended repeat area function, an interrupt is requested after completion of a 1-block size transfer. When setting the DTE bit in DMDR of the channel for which the transfer has been stopped to 1, the transfer is resumed from the state when the transfer is stopped.  When the extended repeat area is not specified, this bit is ignored.  0: Disables an interrupt request for an extended area overflow on the destination address 1: Enables an interrupt request for an extended area overflow on the destination address

Bit	Bit Name	Initial Value	R/W	Description
6, 5	—	All 0	R	Reserved These bits are always read as 0 and cannot be modified.
4	DARA4	0	R/W	Destination Address Extended Repeat Area
3	DARA3	0	R/W	Specify the extended repeat area on the destination address (DDAR). With the extended repeat area, the specified lower address bits are updated and the remaining upper address bits are fixed. The extended repeat area size is specified from four bytes to 128 Mbytes in units of byte and a power of 2.  When the lower address is overflowed from the extended repeat area by address update, the address becomes the start address and the end address of the area for address addition and subtraction, respectively.  When an overflow in the extended repeat area occurs with the DARIE bit set to 1, an interrupt can be requested. Table 7.3 shows the settings and areas of the extended repeat area.
2	DARA2	0	R/W	
1	DARA1	0	R/W	
0	DARA0	0	R/W	

**Table 7.3 Settings and Areas of Extended Repeat Area**

<b>SARA4 to SARA0 or DARA4 to DARA0</b>	<b>Extended Repeat Area</b>
00000	Not specified
00001	2 bytes specified as extended repeat area by the lower 1 bit of the address
00010	4 bytes specified as extended repeat area by the lower 2 bits of the address
00011	8 bytes specified as extended repeat area by the lower 3 bits of the address
00100	16 bytes specified as extended repeat area by the lower 4 bits of the address
00101	32 bytes specified as extended repeat area by the lower 5 bits of the address
00110	64 bytes specified as extended repeat area by the lower 6 bits of the address
00111	128 bytes specified as extended repeat area by the lower 7 bits of the address
01000	256 bytes specified as extended repeat area by the lower 8 bits of the address
01001	512 bytes specified as extended repeat area by the lower 9 bits of the address
01010	1 kbyte specified as extended repeat area by the lower 10 bits of the address
01011	2 kbytes specified as extended repeat area by the lower 11 bits of the address
01100	4 kbytes specified as extended repeat area by the lower 12 bits of the address
01101	8 kbytes specified as extended repeat area by the lower 13 bits of the address
01110	16 kbytes specified as extended repeat area by the lower 14 bits of the address
01111	32 kbytes specified as extended repeat area by the lower 15 bits of the address
10000	64 kbytes specified as extended repeat area by the lower 16 bits of the address
10001	128 kbytes specified as extended repeat area by the lower 17 bits of the address
10010	256 kbytes specified as extended repeat area by the lower 18 bits of the address
10011	512 kbytes specified as extended repeat area by the lower 19 bits of the address
10100	1 Mbyte specified as extended repeat area by the lower 20 bits of the address
10101	2 Mbytes specified as extended repeat area by the lower 21 bits of the address
10110	4 Mbytes specified as extended repeat area by the lower 22 bits of the address
10111	8 Mbytes specified as extended repeat area by the lower 23 bits of the address
11000	16 Mbytes specified as extended repeat area by the lower 24 bits of the address
11001	32 Mbytes specified as extended repeat area by the lower 25 bits of the address
11010	64 Mbytes specified as extended repeat area by the lower 26 bits of the address
11011	128 Mbytes specified as extended repeat area by the lower 27 bits of the address
111xx	Setting prohibited

[Legend]

x: Don't care

### 7.3.8 DMA Module Request Select Register (DMRSR)

DMRSR is an 8-bit readable/writable register that specifies the on-chip module interrupt source. The vector number of the interrupt source is specified in eight bits. However, 0 is regarded as no interrupt source. For the vector numbers of the interrupt sources, refer to table 7.5.

Bit	7	6	5	4	3	2	1	0
Bit Name								
Initial Value	0	0	0	0	0	0	0	0
R/W	R/W	R/W	R/W	R/W	R/W	R/W	R/W	R/W

## 7.4 Transfer Modes

Table 7.4 shows the DMAC transfer modes. The transfer modes can be specified to the individual channels.

**Table 7.4 Transfer Modes**

Address Mode	Transfer mode	Activation Source	Common Function	Address Register	
				Source	Destination
Dual address	<ul style="list-style-type: none"> <li>Normal transfer</li> <li>Repeat transfer</li> <li>Block transfer</li> </ul> Repeat or block size = 1 to 65,536 bytes, 1 to 65,536 words, or 1 to 65,536 longwords	<ul style="list-style-type: none"> <li>Auto request (activated by CPU)</li> <li>On-chip module interrupt</li> <li>External request</li> </ul>	<ul style="list-style-type: none"> <li>Total transfer size: 1 to 4 Gbytes or not specified</li> <li>Offset addition</li> <li>Extended repeat area function</li> </ul>	DSAR	DDAR
Single address	<ul style="list-style-type: none"> <li>Instead of specifying the source or destination address registers, data is directly transferred from/to the external device using the <math>\overline{\text{DACK}}</math> pin</li> <li>The same settings as above are available other than address register setting (e.g., above transfer modes can be specified)</li> <li>One transfer can be performed in one bus cycle (the types of transfer modes are the same as those of dual address modes)</li> </ul>			DSAR/ $\overline{\text{DACK}}$	$\overline{\text{DACK}}$ / DDAR

When the auto request setting is selected as the activation source, the cycle stealing or burst access can be selected. When the total transfer size is not specified (DTCR = H'00000000), the transfer counter is stopped and the transfer is continued without the limitation of the transfer count.



## 7.5 Operations

### 7.5.1 Address Modes

#### (1) Dual Address Mode

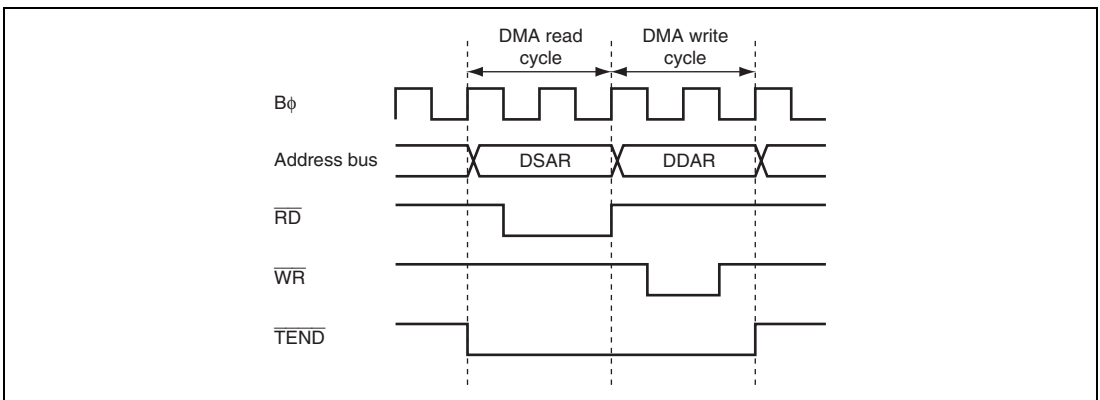
In dual address mode, the transfer source address is specified in DSAR and the transfer destination address is specified in DDAR. A transfer at a time is performed in two bus cycles (when the data bus width is less than the data access size or the access address is not aligned with the boundary of the data access size, the number of bus cycles are needed more than two because one bus cycle is divided into multiple bus cycles).

In the first bus cycle, data at the transfer source address is read and in the next cycle, the read data is written to the transfer destination address.

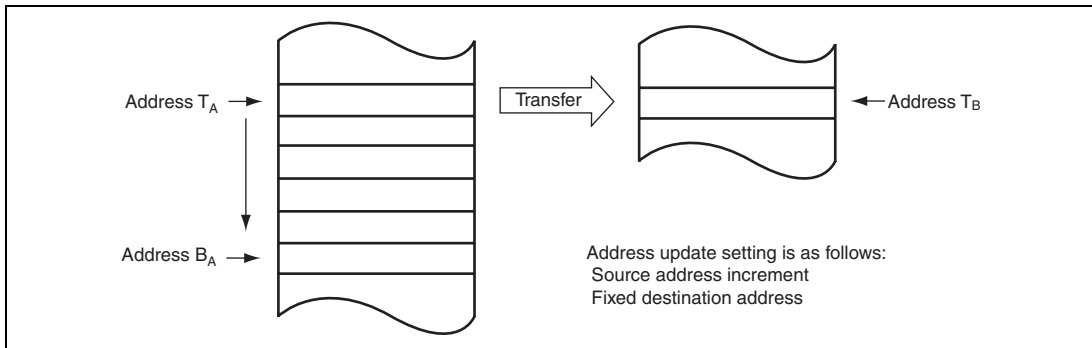
The read and write cycles are not separated. Other bus cycles (bus cycle by other bus masters, refresh cycle, and external bus release cycle) are not generated between read and write cycles.

The  $\overline{\text{TEND}}$  signal output is enabled or disabled by the TEND bit in DMDR. The  $\overline{\text{TEND}}$  signal is output in two bus cycles. When an idle cycle is inserted before the bus cycle, the  $\overline{\text{TEND}}$  signal is also output in the idle cycle. The  $\overline{\text{DACK}}$  signal is not output.

Figure 7.2 shows an example of the signal timing in dual address mode and figure 7.3 shows the operation in dual address mode.



**Figure 7.2 Example of Signal Timing in Dual Address Mode**



**Figure 7.3 Operations in Dual Address Mode**

## (2) Single Address Mode

In single address mode, data between an external device and an external memory is directly transferred using the  $\overline{\text{DACK}}$  pin instead of DSAR or DDAR. A transfer at a time is performed in one bus cycle. In this mode, the data bus width must be the same as the data access size. For details on the data bus width, see section 6, Bus Controller (BSC).

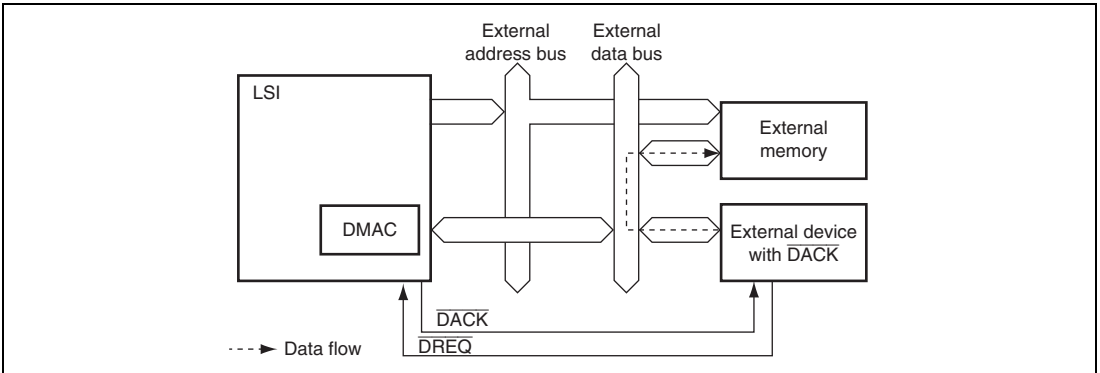
The DMAC accesses an external device as the transfer source or destination by outputting the strobe signal ( $\overline{\text{DACK}}$ ) to the external device with  $\overline{\text{DACK}}$  and accesses the other transfer target by outputting the address. Accordingly, the DMA transfer is performed in one bus cycle. Figure 7.4 shows an example of a transfer between an external memory and an external device with the  $\overline{\text{DACK}}$  pin. In this example, the external device outputs data on the data bus and the data is written to the external memory in the same bus cycle.

The transfer direction is decided by the DIRS bit in DACR which specifies an external device with the  $\overline{\text{DACK}}$  pin as the transfer source or destination. When DIRS = 0, data is transferred from an external memory (DSAR) to an external device with the  $\overline{\text{DACK}}$  pin. When DIRS = 1, data is transferred from an external device with the  $\overline{\text{DACK}}$  pin to an external memory (DDAR). The settings of registers which are not used as the transfer source or destination are ignored.

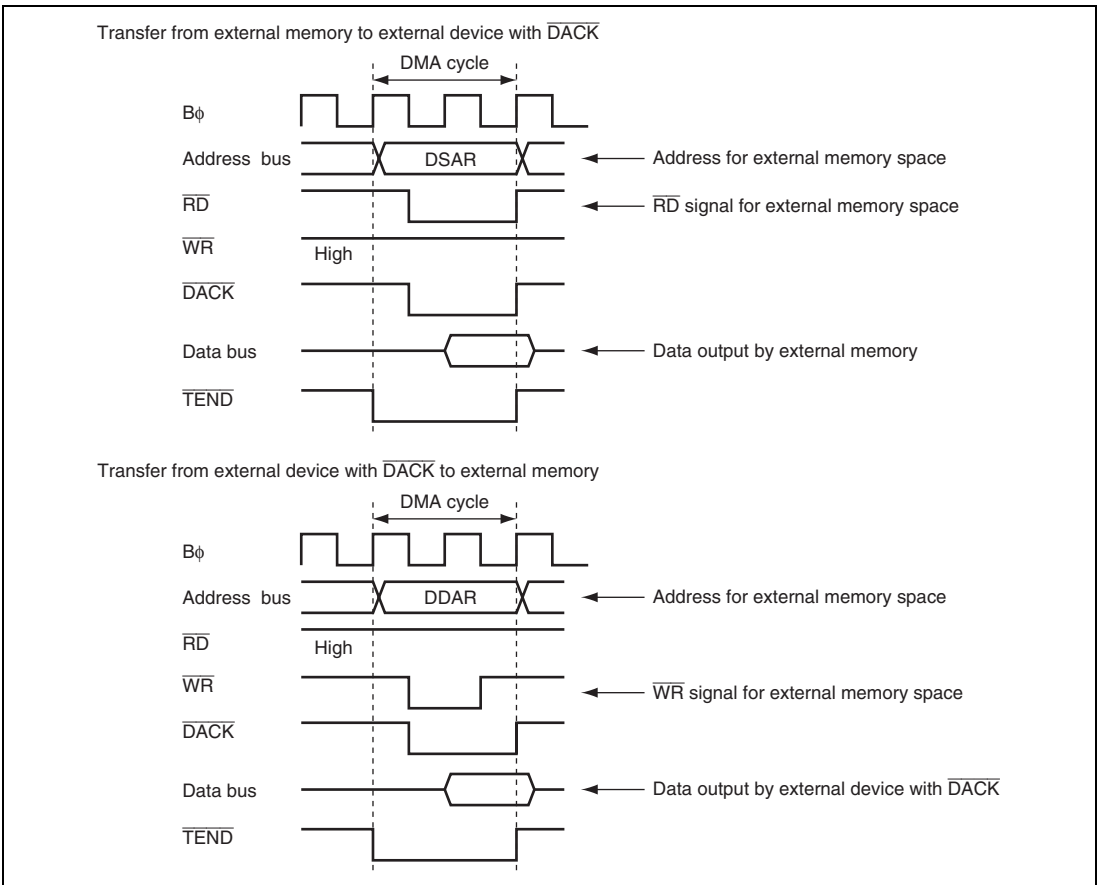
The  $\overline{\text{DACK}}$  signal output is enabled in single address mode by the DACKE bit in DMDR. The  $\overline{\text{DACK}}$  signal is low active.

The  $\overline{\text{TEND}}$  signal output is enabled or disabled by the TENDE bit in DMDR. The  $\overline{\text{TEND}}$  signal is output in one bus cycle. When an idle cycle is inserted before the bus cycle, the  $\overline{\text{TEND}}$  signal is also output in the idle cycle.

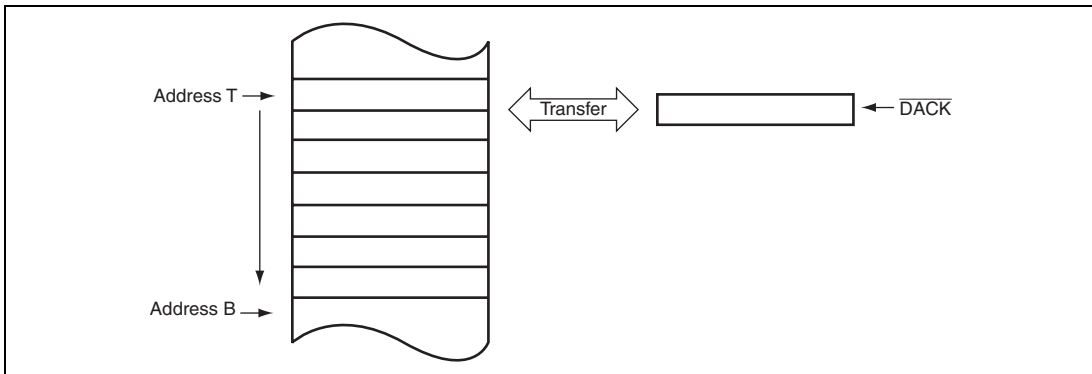
Figure 7.5 shows an example of timing charts in single address mode and figure 7.6 shows an example of operation in single address mode.



**Figure 7.4 Data Flow in Single Address Mode**



**Figure 7.5 Example of Signal Timing in Single Address Mode**



**Figure 7.6 Operations in Single Address Mode**

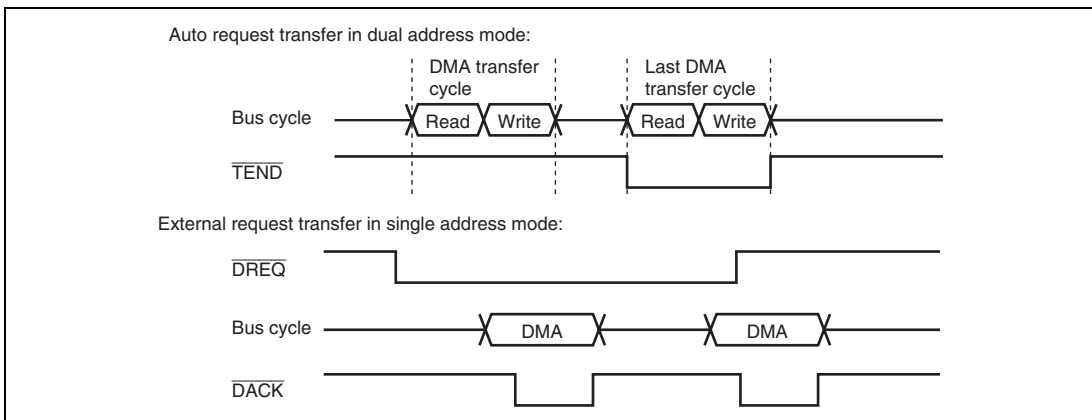
### 7.5.2 Transfer Modes

#### (1) Normal Transfer Mode

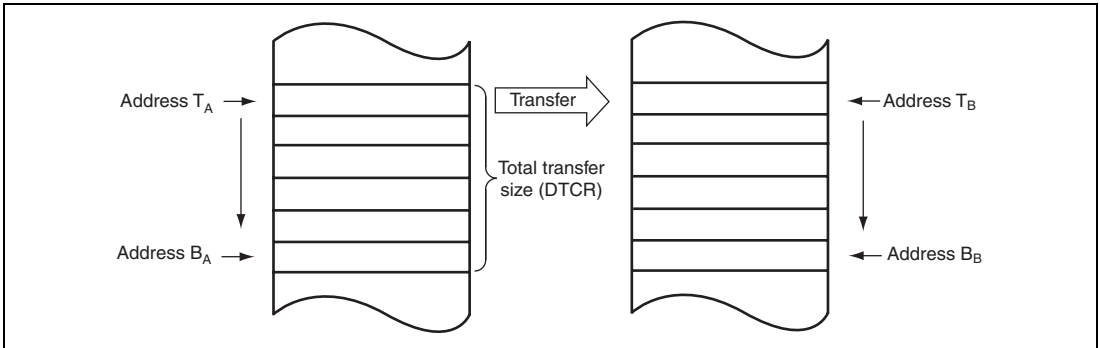
In normal transfer mode, one data access size of data is transferred at a single transfer request. Up to 4 Gbytes can be specified as a total transfer size by DTCCR. DBSR is ignored in normal transfer mode.

The  $\overline{TEND}$  signal is output only in the last DMA transfer. The  $\overline{DACK}$  signal is output every time a transfer request is received and a transfer starts.

Figure 7.7 shows an example of the signal timing in normal transfer mode and figure 7.8 shows the operation in normal transfer mode.



**Figure 7.7 Example of Signal Timing in Normal Transfer Mode**



**Figure 7.8 Operations in Normal Transfer Mode**

## (2) Repeat Transfer Mode

In repeat transfer mode, one data access size of data is transferred at a single transfer request. Up to 4 Gbytes can be specified as a total transfer size by DTCR. The repeat size can be specified in DBSR up to  $65536 \times$  data access size.

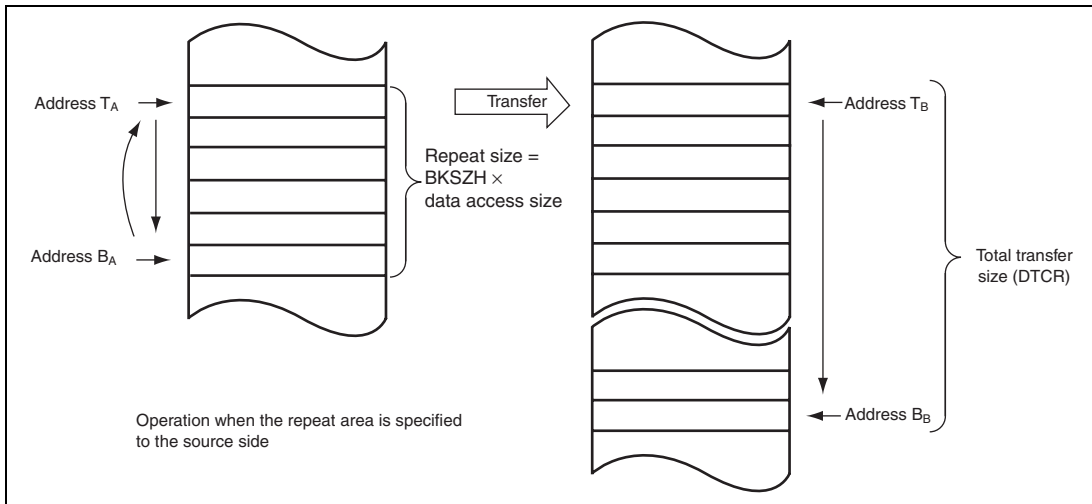
The repeat area can be specified for the source or destination address side by bits ARS1 and ARS0 in DACR. The address specified as the repeat area returns to the transfer start address when the repeat size of transfers is completed. This operation is repeated until the total transfer size specified in DTCR is completed. When H'00000000 is specified in DTCR, it is regarded as the free running mode and repeat transfer is continued until the DTE bit in DMDR is cleared to 0.

In addition, a DMA transfer can be stopped and a repeat size end interrupt can be requested to the CPU or DTC when the repeat size of transfers is completed. When the next transfer is requested after completion of a 1-repeat size data transfer while the RPTIE bit is set to 1, the DTE bit in DMDR is cleared to 0 and the ESIF bit in DMDR is set to 1 to complete the transfer. At this time, an interrupt is requested to the CPU or DTC when the ESIE bit in DMDR is set to 1.

The timings of the  $\overline{TEND}$  and  $\overline{DACK}$  signals are the same as in normal transfer mode.

Figure 7.9 shows the operation in repeat transfer mode while dual address mode is set.

When the repeat area is specified as neither source nor destination address side, the operation is the same as the normal transfer mode operation shown in figure 7.8. In this case, a repeat size end interrupt can also be requested to the CPU when the repeat size of transfers is completed.



**Figure 7.9 Operations in Repeat Transfer Mode**

### (3) Block Transfer Mode

In block transfer mode, one block size of data is transferred at a single transfer request. Up to 4 Gbytes can be specified as total transfer size by DTCR. The block size can be specified in DBSR up to  $65536 \times$  data access size.

While one block of data is being transferred, transfer requests from other channels are suspended. When the transfer is completed, the bus is released to the other bus master.

The block area can be specified for the source or destination address side by bits ARS1 and ARS0 in DACR. The address specified as the block area returns to the transfer start address when the block size of data is completed. When the block area is specified as neither source nor destination address side, the operation continues without returning the address to the transfer start address. A repeat size end interrupt can be requested.

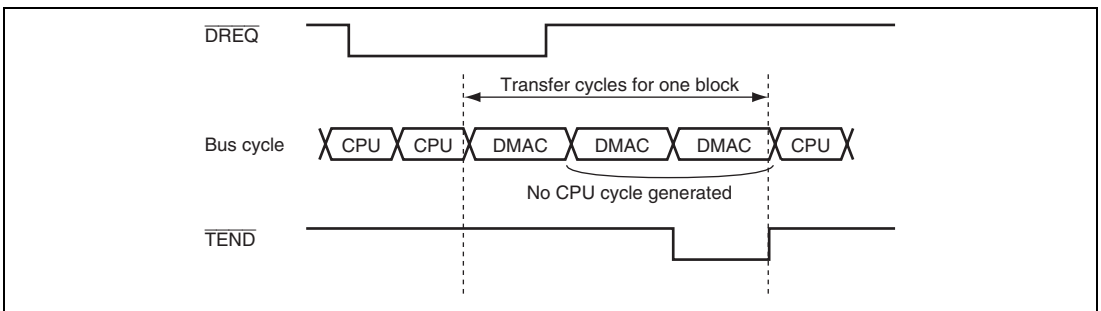
The  $\overline{TEND}$  signal is output every time 1-block data is transferred in the last DMA transfer cycle. When the external request is selected as an activation source, the low level detection of the  $\overline{DREQ}$  signal ( $DREQS = 0$ ) should be selected.

When an interrupt request by an extended repeat area overflow is used in block transfer mode, settings should be selected carefully. For details, see section 7.5.5, Extended Repeat Area Function.

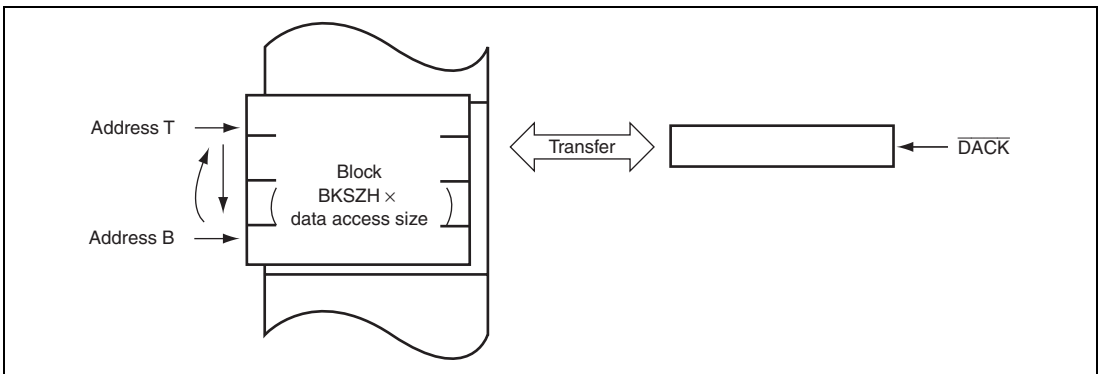
Figure 7.10 shows an example of the DMA transfer timing in block transfer mode. The transfer conditions are as follows:

- Address mode: single address mode
- Data access size: byte
- 1-block size: three bytes

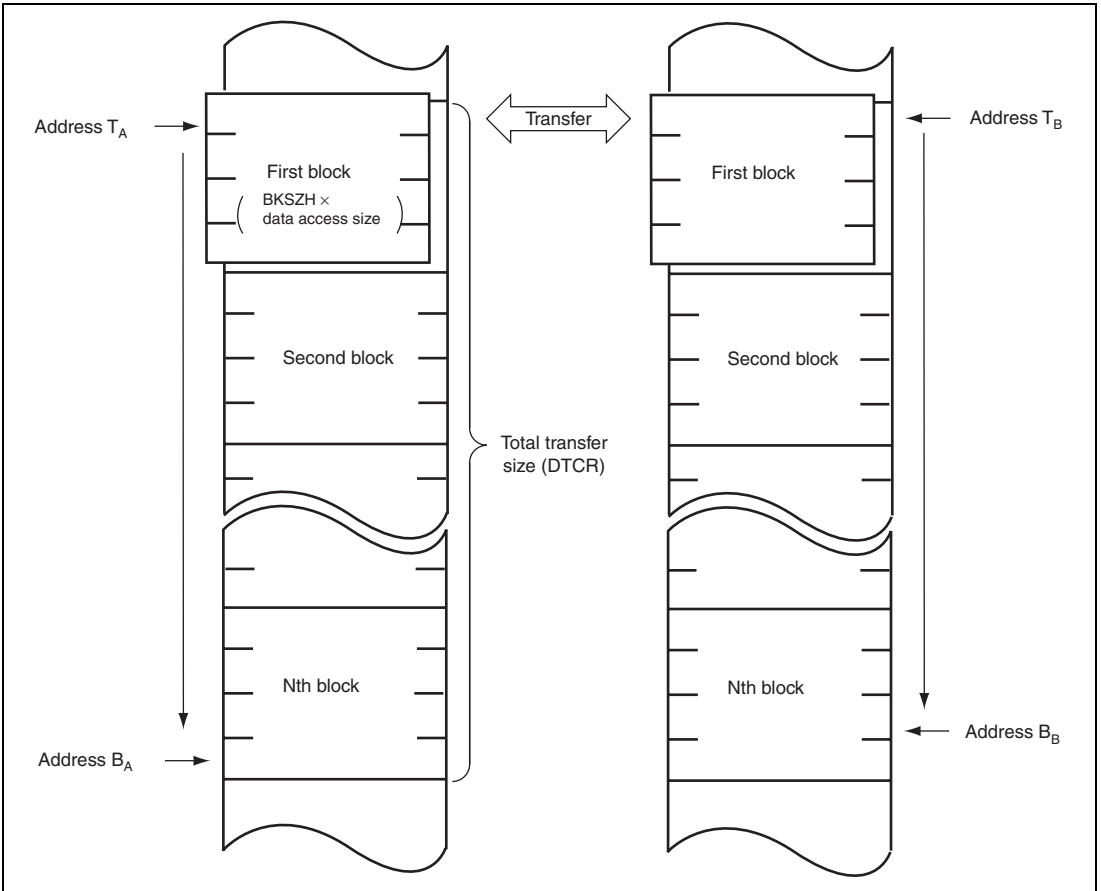
The block transfer mode operations in single address mode and in dual address mode are shown in figures 7.11 and 7.12, respectively.



**Figure 7.10 Operations in Block Transfer Mode**



**Figure 7.11 Operation in Single Address Mode in Block Transfer Mode (Block Area Specified)**



**Figure 7.12 Operation in Dual Address Mode in Block Transfer Mode  
(Block Area Not Specified)**



### 7.5.3 Activation Sources

The DMAC is activated by an auto request, an on-chip module interrupt, and an external request. The activation source is specified by bits DTF1 and DTF0 in DMDR.

#### (1) Activation by Auto Request

The auto request activation is used when a transfer request from an external device or an on-chip peripheral module is not generated such as a transfer between memory and memory or between memory and an on-chip peripheral module which does not request a transfer. A transfer request is automatically generated inside the DMAC. In auto request activation, setting the DTE bit in DMDR starts a transfer. The bus mode can be selected from cycle stealing and burst modes.

#### (2) Activation by On-Chip Module Interrupt

An interrupt request from an on-chip peripheral module (on-chip peripheral module interrupt) is used as a transfer request. When a DMA transfer is enabled ( $DTE = 1$ ), the DMA transfer is started by an on-chip module interrupt.

The activation source of the on-chip module interrupt is selected by the DMA module request select register (DMRSR). The activation sources are specified to the individual channels. Table 7.5 is a list of on-chip module interrupts for the DMAC. The interrupt request selected as the activation source can generate an interrupt request simultaneously to the CPU or DTC. For details, refer to section 5, Interrupt Controller.

The DMAC receives interrupt requests by on-chip peripheral modules independent of the interrupt controller. Therefore, the DMAC is not affected by priority given in the interrupt controller.

When the DMAC is activated while  $DTA = 1$ , the interrupt request flag is automatically cleared by a DMA transfer. If multiple channels use a single transfer request as an activation source, when the channel having priority is activated, the interrupt request flag is cleared. In this case, other channels may not be activated because the transfer request is not held in the DMAC.

When the DMAC is activated while  $DTA = 0$ , the interrupt request flag is not cleared by the DMAC and should be cleared by the CPU or DTC transfer.

When an activation source is selected while  $DTE = 0$ , the activation source does not request a transfer to the DMAC. It requests an interrupt to the CPU or DTC.

In addition, make sure that an interrupt request flag as an on-chip module interrupt source is cleared to 0 before writing 1 to the DTE bit.

**Table 7.5 List of On-chip module interrupts to DMAC**

<b>On-Chip Module Interrupt Source</b>	<b>On-Chip Module</b>	<b>DMRSR (Vector Number)</b>
ADI (conversion end interrupt for A/D converter)	A/D	86
TGI0A (TGI0A input capture/compare match)	TPU_0	88
TGI1A (TGI1A input capture/compare match)	TPU_1	93
TGI2A (TGI2A input capture/compare match)	TPU_2	97
TGI3A (TGI3A input capture/compare match)	TPU_3	101
TGI4A (TGI4A input capture/compare match)	TPU_4	106
TGI5A (TGI5A input capture/compare match)	TPU_5	110
RX10 (receive data full interrupt for SCI channel 0)	SCI_0	145
TX10 (transmit data empty interrupt for SCI channel 0)	SCI_0	146
RX11 (receive data full interrupt for SCI channel 1)	SCI_1	149
TX11 (transmit data empty interrupt for SCI channel 1)	SCI_1	150
RX12 (receive data full interrupt for SCI channel 2)	SCI_2	153
TX12 (transmit data empty interrupt for SCI channel 2)	SCI_2	154
RX13 (receive data full interrupt for SCI channel 3)	SCI_3	157
TX13 (transmit data empty interrupt for SCI channel 3)	SCI_3	158
RX14 (receive data full interrupt for SCI channel 4)	SCI_4	161
TX14 (transmit data empty interrupt for SCI channel 4)	SCI_4	162

### (3) Activation by External Request

A transfer is started by a transfer request signal ( $\overline{\text{DREQ}}$ ) from an external device. When a DMA transfer is enabled ( $\text{DTE} = 1$ ), the DMA transfer is started by the  $\overline{\text{DREQ}}$  assertion. When a DMA transfer in internal space is performed, select an activation source from the auto request and on-chip module interrupt (the external request cannot be used).

A transfer request signal is input to the  $\overline{\text{DREQ}}$  pin. The  $\overline{\text{DREQ}}$  signal is detected on the falling edge or low level. Whether the falling edge or low level detection is used is selected by the  $\text{DREQS}$  bit in  $\text{DMDR}$ . To perform a block transfer, select the low level detection ( $\text{DREQS} = 0$ ).

When an external request is selected as an activation source, clear the  $\text{DDR}$  bit to 0 and set the  $\text{ICR}$  bit to 1 for the corresponding pin. For details, see section 9, I/O Ports.

### 7.5.4 Bus Access Modes

There are two types of bus access modes: cycle stealing and burst.

When an activation source is the auto request, the cycle stealing or burst mode is selected by bit DTF0 in DMDR. When an activation source is the on-chip module interrupt or external request, the cycle stealing mode is selected.

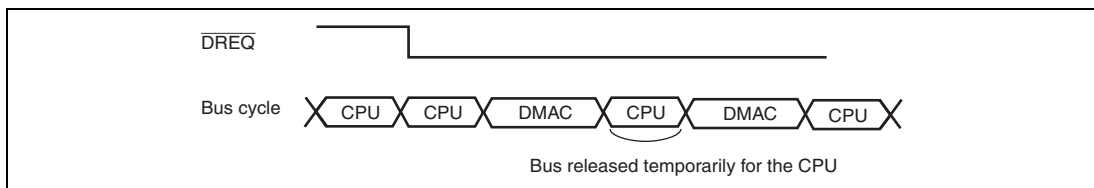
#### (1) Cycle Stealing Mode

In cycle stealing mode, the DMAC releases the bus every time one unit of transfers (byte, word, longword, or 1-block size) is completed. After that, when a transfer is requested, the DMAC obtains the bus to transfer 1-unit data and then releases the bus on completion of the transfer. This operation is continued until the transfer end condition is satisfied.

When a transfer is requested to another channel during a DMA transfer, the DMAC releases the bus and then transfers data for the requested channel. For details on operations when a transfer is requested to multiple channels, see section 7.5.8, Priority of Channels.

Figure 7.13 shows an example of timing in cycle stealing mode. The transfer conditions are as follows:

- Address mode: Single address mode
- Sampling method of the  $\overline{\text{DREQ}}$  signal: Low level detection



**Figure 7.13 Example of Timing in Cycle Stealing Mode**

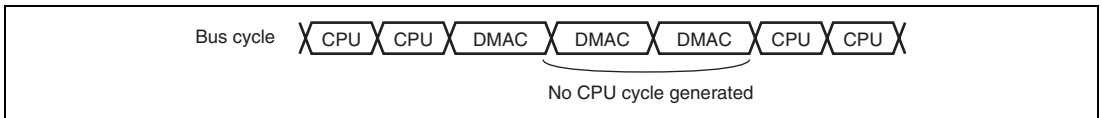
## (2) Burst Access Mode

In burst mode, once it takes the bus, the DMAC continues a transfer without releasing the bus until the transfer end condition is satisfied. Even if a transfer is requested from another channel having priority, the transfer is not stopped once it is started. The DMAC releases the bus in the next cycle after the transfer for the channel in burst mode is completed. This is similarly to operation in cycle stealing mode. However, setting the IBCCS bit in IBCR of the bus controller makes the DMAC release the bus to pass the bus to another bus master.

In block transfer mode, the burst mode setting is ignored (operation is the same as that in burst mode during one block of transfers). The DMAC is always operated in cycle stealing mode.

Clearing the DTE bit in DMDR stops a DMA transfer. A transfer requested before the DTE bit is cleared to 0 by the DMAC is executed. When an interrupt by a transfer size error, a repeat size end, or an extended repeat area overflow occurs, the DTE bit is cleared to 0 and the transfer ends.

Figure 7.14 shows an example of timing in burst mode.



**Figure 7.14 Example of Timing in Burst Mode**

### 7.5.5 Extended Repeat Area Function

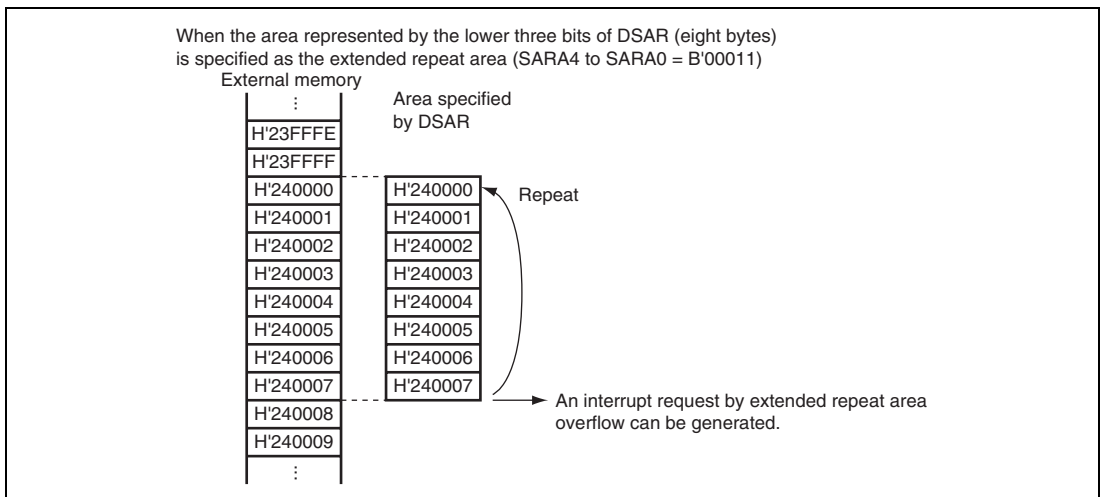
The source and destination address sides can be specified as the extended repeat area. The contents of the address register repeat addresses within the area specified as the extended repeat area. For example, to use a ring buffer as the transfer target, the contents of the address register should return to the start address of the buffer every time the contents reach the end address of the buffer (overflow on the ring buffer address). This operation can automatically be performed using the extended repeat area function of the DMAC.

The extended repeat areas can be specified independently to the source address register (DSAR) and destination address register (DDAR).

The extended repeat area on the source address is specified by bits SARA4 to SARA0 in DACR. The extended repeat area on the destination address is specified by bits DARA4 to DARA0 in DACR. The extended repeat area sizes for each side can be specified independently.

A DMA transfer is stopped and an interrupt by an extended repeat area overflow can be requested to the CPU when the contents of the address register reach the end address of the extended repeat area. When an overflow on the extended repeat area set in DSAR occurs while the SARIE bit in DACR is set to 1, the ESIF bit in DMDR is set to 1 and the DTE bit in DMDR is cleared to 0 to stop the transfer. At this time, if the ESIE bit in DMDR is set to 1, an interrupt by an extended repeat area overflow is requested to the CPU. When the DARIE bit in DACR is set to 1, an overflow on the extended repeat area set in DDAR occurs, meaning that the destination side is a target. During the interrupt handling, setting the DTE bit in DMDR resumes the transfer.

Figure 7.15 shows an example of the extended repeat area operation.

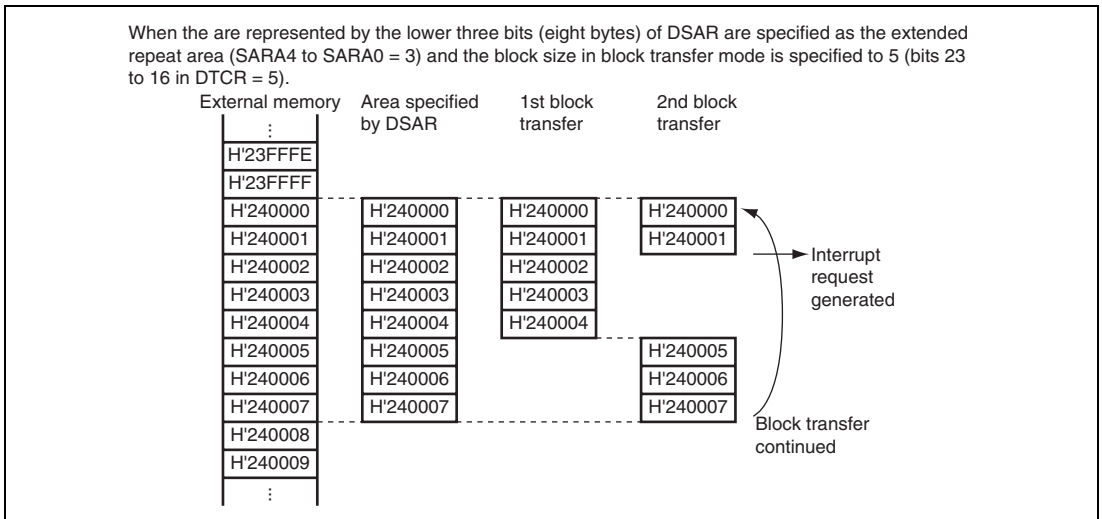


**Figure 7.15 Example of Extended Repeat Area Operation**

When an interrupt by an extended repeat area overflow is used in block transfer mode, the following should be taken into consideration.

When a transfer is stopped by an interrupt by an extended repeat area overflow, the address register must be set so that the block size is a power of 2 or the block size boundary is aligned with the extended repeat area boundary. When an overflow on the extended repeat area occurs during a transfer of one block, the interrupt by the overflow is suspended and the transfer overruns.

Figure 7.16 shows examples when the extended repeat area function is used in block transfer mode.

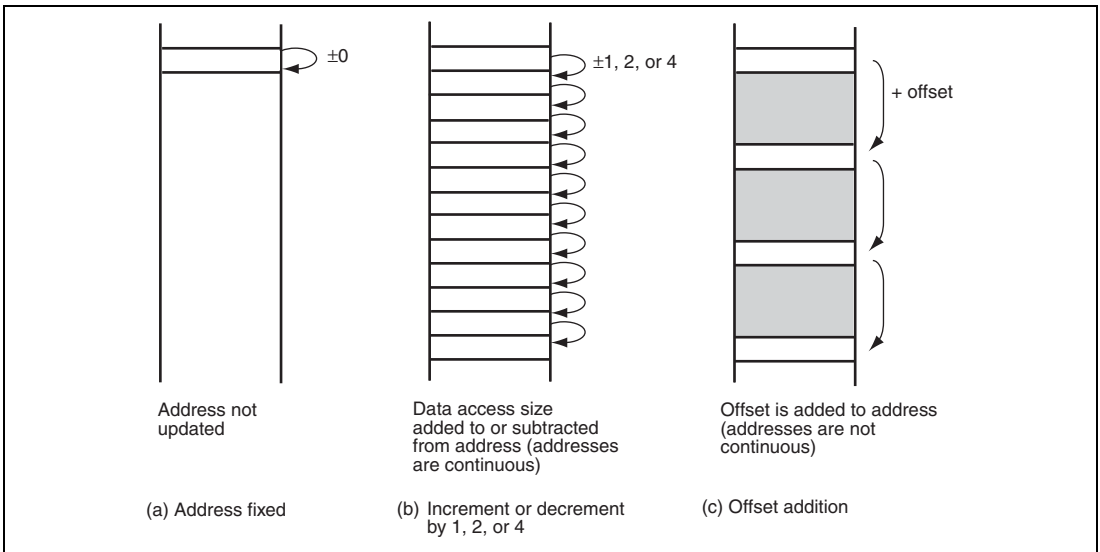


**Figure 7.16 Example of Extended Repeat Area Function in Block Transfer Mode**

### 7.5.6 Address Update Function using Offset

The source and destination addresses are updated by fixing, increment/decrement by 1, 2, or 4, or offset addition. When the offset addition is selected, the offset specified by the offset register (DOFR) is added to the address every time the DMAC transfers the data access size of data. This function realizes a data transfer where addresses are allocated to separated areas.

Figure 7.17 shows the address update method.



**Figure 7.17 Address Update Method**

In item (a), Address fixed, the transfer source or destination address is not updated indicating the same address.

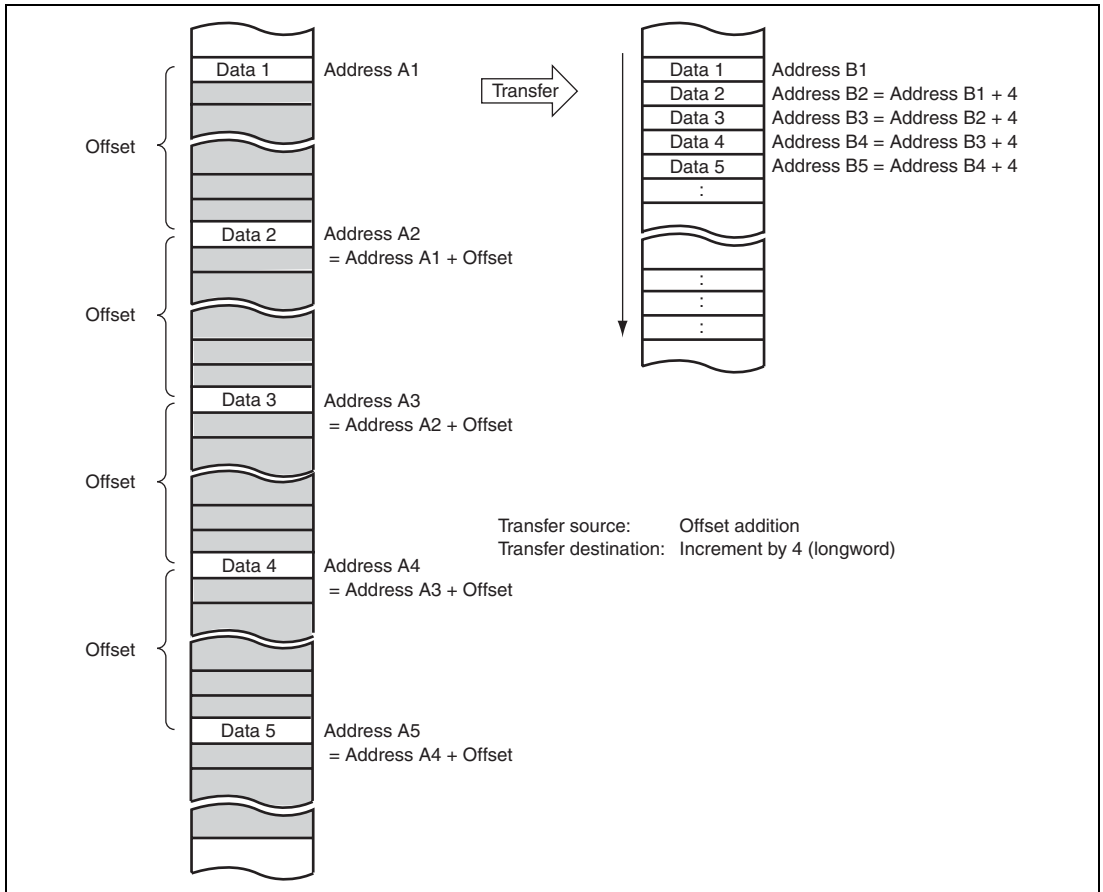
In item (b), Increment or decrement by 1, 2, or 4, the transfer source or destination address is incremented or decremented by the value according to the data access size at each transfer. Byte, word, or longword can be specified as the data access size. The value of 1 for byte, 2 for word, and 4 for longword is used for updating the address. This operation realizes the data transfer placed in consecutive areas.

In item (c), Offset addition, the address update does not depend on the data access size. The offset specified by DOFR is added to the address every time the DMAC transfers data of the data access size.

The address is calculated by the offset set in DOFR and the contents of DSAR and DDAR. Although the DMAC calculates only addition, an offset subtraction can be realized by setting the negative value in DOFR. In this case, the negative value must be 2's complement.

**(1) Basic Transfer Using Offset**

Figure 7.18 shows a basic operation of a transfer using the offset addition.



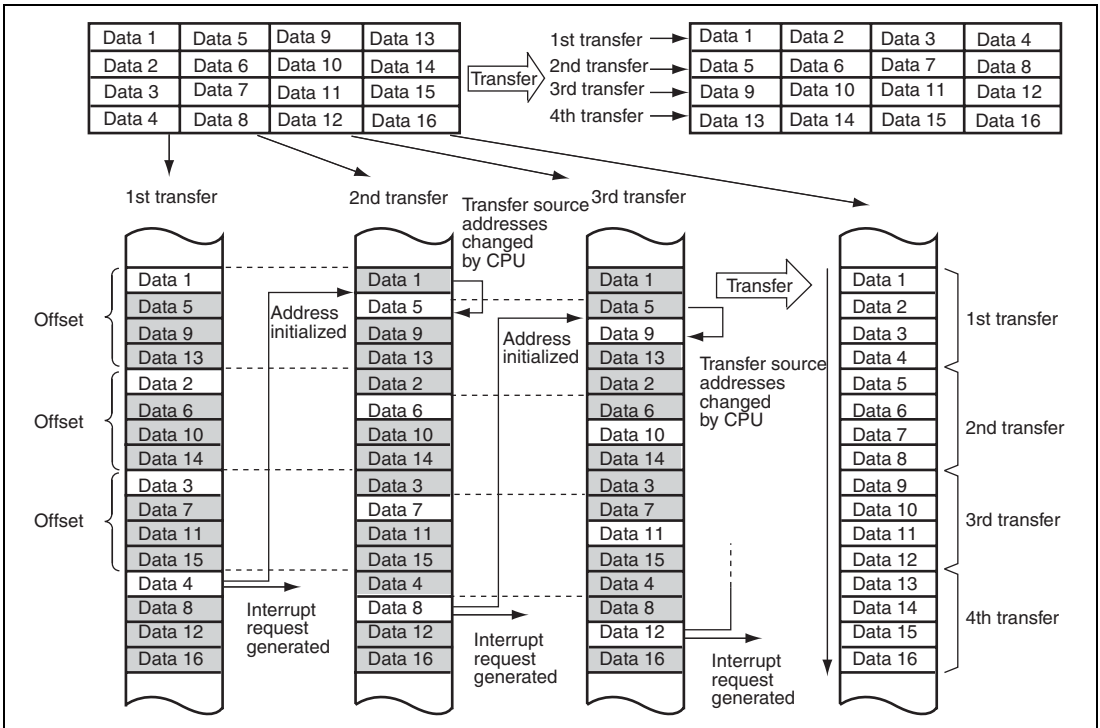
**Figure 7.18 Operation of Offset Addition**

In figure 7.18, the offset addition is selected as the transfer source address update and increment or decrement by 1, 2, or 4 is selected as the transfer destination address. The address update means that data at the address which is away from the previous transfer source address by the offset is read from. The data read from the address away from the previous address is written to the consecutive area in the destination side.



## (2) XY Conversion Using Offset

Figure 7.19 shows the XY conversion using the offset addition in repeat transfer mode.

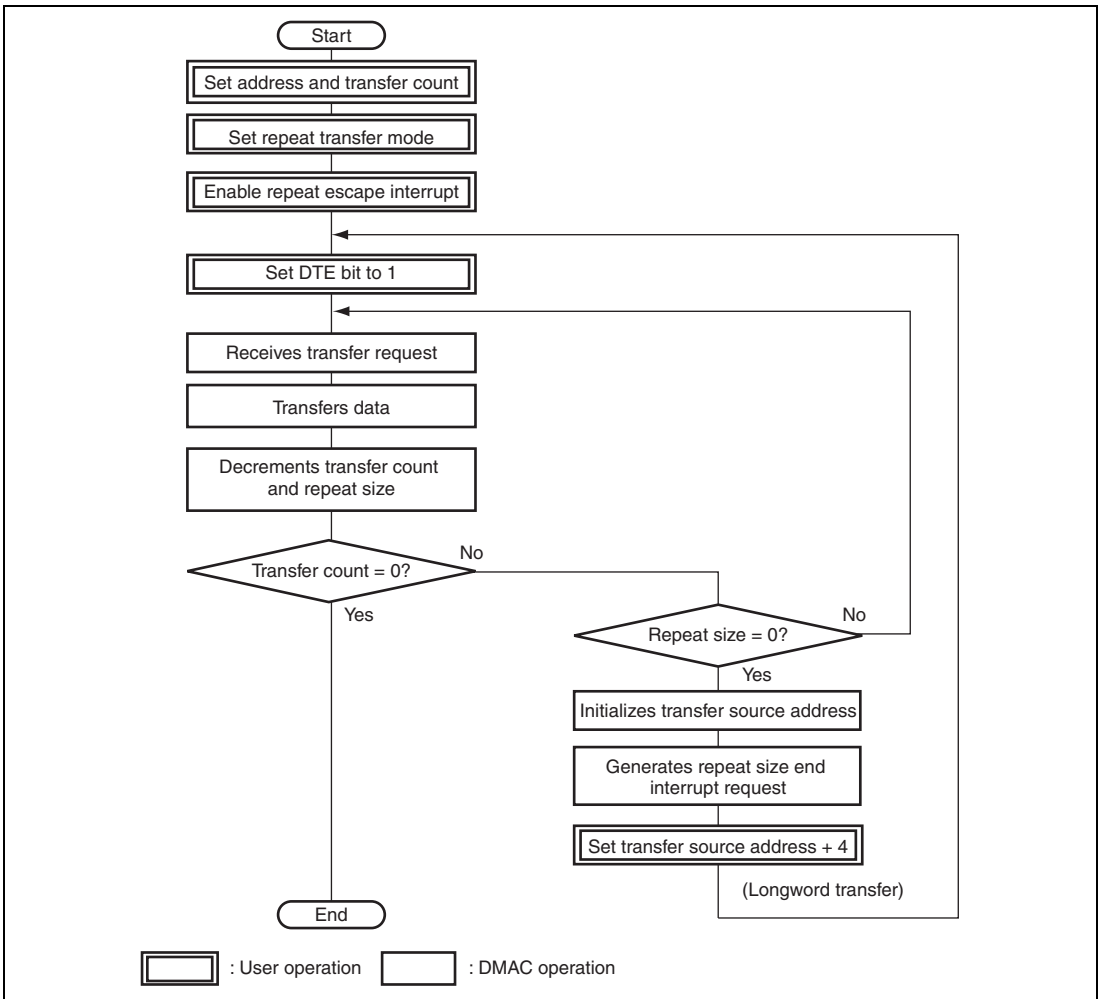


**Figure 7.19 XY Conversion Operation Using Offset Addition in Repeat Transfer Mode**

In figure 7.19, the source address side is specified to the repeat area by DACR and the offset addition is selected. The offset value is set to  $4 \times$  data access size (when the data access size is longword, H'00000010 is set in DOFR, as an example). The repeat size is set to  $4 \times$  data access size (when the data access size is longword, the repeat size is set to  $4 \times 4 = 16$  bytes, as an example). The increment or decrement by 1, 2, or 4 is specified as the transfer destination address. A repeat size end interrupt is requested when the repeat size of transfers is completed.

When a transfer starts, the transfer source address is added to the offset every time data is transferred. The transfer data is written to the destination continuous addresses. When data 4 is transferred meaning that the repeat size of transfers is completed, the transfer source address returns to the transfer start address (address of data 1 on the transfer source) and a repeat size end interrupt is requested. While this interrupt stops the transfer temporarily, the contents of DSAR are written to the address of data 5 by the CPU (when the data access size is longword, write the data 1 address + 4). When the DTE bit in DMDR is set to 1, the transfer is resumed from the state when the transfer is stopped. Accordingly, operations are repeated and the transfer source data is transposed to the destination area (XY conversion).

Figure 7.20 shows a flowchart of the XY conversion.



**Figure 7.20 XY Conversion Flowchart Using Offset Addition in Repeat Transfer Mode**

### (3) Offset Subtraction

When setting the negative value in DOFR, the offset value must be 2's complement. The 2's complement is obtained by the following formula.

$$\text{2's complement of offset} = 1 + \sim\text{offset} (\sim: \text{bit inversion})$$

Example: 2's complement of H'0001FFFF  
= H'FFFE0000 + H'00000001  
= H'FFFE0001

The value of 2's complement can be obtained by the NEG.L instruction.

#### 7.5.7 Register during DMA Transfer

The DMAC registers are updated by a DMA transfer. The value to be updated differs according to the other settings and transfer state. The registers to be updated are DSAR, DDAR, DTCR, bits BKSZH and BKSZ in DBSR, and the DTE, ACT, ERRF, ESIF, and DTIF bits in DMDR.

##### (1) DMA Source Address Register

When the transfer source address set in DSAR is accessed, the contents of DSAR are output and then are updated to the next address.

The increment or decrement can be specified by bits SAT1 and SAT0 in DACR. When SAT1 and SAT0 = B'00, the address is fixed. When SAT1 and SAT0 = B'01, the address is added with the offset. When SAT1 and SAT0 = B'10, the address is incremented. When SAT1 and SAT0 = B'11, the address is decremented. The size of increment or decrement depends on the data access size.

The data access size is specified by bits DTSZ1 and DTSZ0 in DMDR. When DTSZ1 and DTSZ0 = B'00, the data access size is byte and the address is incremented or decremented by 1. When DTSZ1 and DTSZ0 = B'01, the data access size is word and the address is incremented or decremented by 2. When DTSZ1 and DTSZ0 = B'10, the data access size is longword and the address is incremented or decremented by 4. Even if the access data size of the source address is word or longword, when the source address is not aligned with the word or longword boundary, the read bus cycle is divided into byte or word cycles. While data of one word or one longword is being read, the size of increment or decrement is changing according to the actual data access size, for example, +1 or +2 for byte or word data. After one word or one longword of data is read, the address when the read cycle is started is incremented or decremented by the value according to bits SAT1 and SAT0.

In block or repeat transfer mode, when the block or repeat size of data transfers is completed while the block or repeat area is specified to the source address side, the source address returns to the transfer start address and is not affected by the address update.

When the extended repeat area is specified to the source address side, operation follows the setting. The upper address bits are fixed and is not affected by the address update.

While data is being transferred, DSAR must be accessed in longwords. If the upper word and lower word are read separately, incorrect data may be read from since the contents of DSAR during the transfer may be updated regardless of the access by the CPU. Moreover, DSAR for the channel being transferred must not be written to.

## (2) DMA Destination Address Register

When the transfer destination address set in DDAR is accessed, the contents of DDAR are output and then are updated to the next address.

The increment or decrement can be specified by bits DAT1 and DAT0 in DACR. When DAT1 and DAT0 = B'00, the address is fixed. When DAT1 and DAT0 = B'01, the address is added with the offset. When DAT1 and DAT0 = B'10, the address is incremented. When DAT1 and DAT0 = B'11, the address is decremented. The incrementing or decrementing size depends on the data access size.

The data access size is specified by bits DTSZ1 and DTSZ0 in DMDR. When DTSZ1 and DTSZ0 = B'00, the data access size is byte and the address is incremented or decremented by 1. When DTSZ1 and DTSZ0 = B'01, the data access size is word and the address is incremented or decremented by 2. When DTSZ1 and DTSZ0 = B'10, the data access size is longword and the address is incremented or decremented by 4. Even if the access data size of the destination address is word or longword, when the destination address is not aligned with the word or longword boundary, the write bus cycle is divided into byte and word cycles. While one word or one longword of data is being written, the incrementing or decrementing size is changing according to the actual data access size, for example, +1 or +2 for byte or word data. After the one word or one longword of data is written, the address when the write cycle is started is incremented or decremented by the value according to bits SAT1 and SAT0.

In block or repeat transfer mode, when the block or repeat size of data transfers is completed while the block or repeat area is specified to the destination address side, the destination address returns to the transfer start address and is not affected by the address update.

When the extended repeat area is specified to the destination address side, operation follows the setting. The upper address bits are fixed and is not affected by the address update.

While data is being transferred, DDAR must be accessed in longwords. If the upper word and lower word are read separately, incorrect data may be read from since the contents of DDAR during the transfer may be updated regardless of the access by the CPU. Moreover, DDAR for the channel being transferred must not be written to.

### **(3) DMA Transfer Count Register (DTCR)**

A DMA transfer decrements the contents of DTCR by the transferred bytes. When byte data is transferred, DTCR is decremented by 1. When word data is transferred, DTCR is decremented by 2. When longword data is transferred, DTCR is decremented by 4. However, when DTCR = 0, the contents of DTCR are not changed since the number of transfers is not counted.

While data is being transferred, all the bits of DTCR may be changed. DTCR must be accessed in longwords. If the upper word and lower word are read separately, incorrect data may be read from since the contents of DTCR during the transfer may be updated regardless of the access by the CPU. Moreover, DTCR for the channel being transferred must not be written to.

When a conflict occurs between the address update by DMA transfer and write access by the CPU, the CPU has priority. When a conflict occurs between change from 1, 2, or 4 to 0 in DTCR and write access by the CPU (other than 0), the CPU has priority in writing to DTCR. However, the transfer is stopped.

### **(4) DMA Block Size Register (DBSR)**

DBSR is enabled in block or repeat transfer mode. Bits 31 to 16 in DBSR function as BKSZH and bits 15 to 0 in DBSR function as BKSZ. The BKSZH bits (16 bits) store the block size and repeat size and its value is not changed. The BKSZ bits (16 bits) function as a counter for the block size and repeat size and its value is decremented every transfer by 1. When the BKSZ value is to change from 1 to 0 by a DMA transfer, 0 is not stored but the BKSZH value is loaded into the BKSZ bits.

Since the upper 16 bits of DBSR are not updated, DBSR can be accessed in words.

DBSR for the channel being transferred must not be written to.

## (5) DTE Bit in DMDR

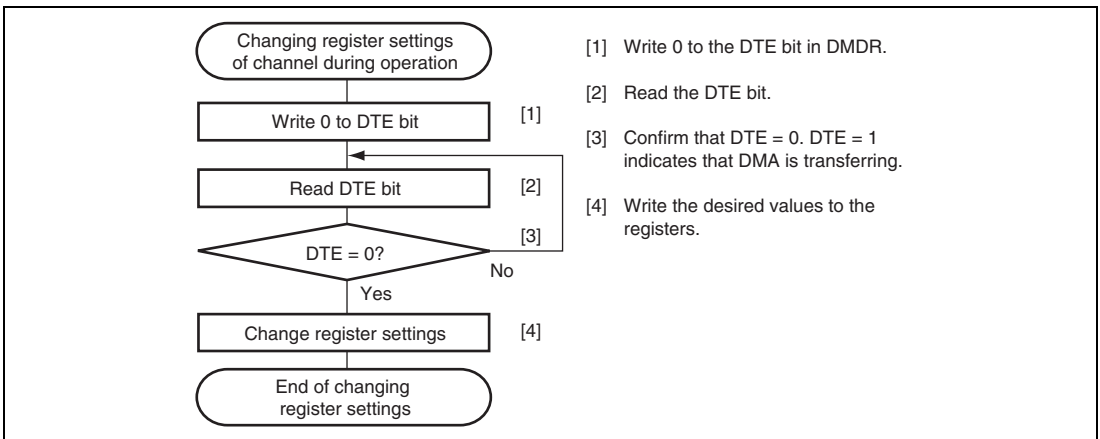
Although the DTE bit in DMDR enables or disables data transfer by the CPU write access, it is automatically cleared to 0 according to the DMA transfer state by the DMAC.

The conditions for clearing the DTE bit by the DMAC are as follows:

- When the total size of transfers is completed
- When a transfer is completed by a transfer size error interrupt
- When a transfer is completed by a repeat size end interrupt
- When a transfer is completed by an extended repeat area overflow interrupt
- When a transfer is stopped by an NMI interrupt
- When a transfer is stopped by an address error
- Reset state
- Hardware standby mode
- When a transfer is stopped by writing 0 to the DTE bit

Writing to the registers for the channels when the corresponding DTE bit is set to 1 is prohibited (except for the DTE bit). When changing the register settings after writing 0 to the DTE bit, confirm that the DTE bit has been cleared to 0.

Figure 7.21 show the procedure for changing the register settings for the channel being transferred.



**Figure 7.21 Procedure for Changing Register Setting For Channel being Transferred**

**(6) ACT Bit in DMDR**

The ACT bit in DMDR indicates whether the DMAC is in the idle or active state. When DTE = 0 or DTE = 1 and the DMAC is waiting for a transfer request, the ACT bit is 0. Otherwise (the DMAC is in the active state), the ACT bit is 1. When individual transfers are stopped by writing 0 and the transfer is not completed, the ACT bit retains 1.

In block transfer mode, even if individual transfers are stopped by writing 0 to the DTE bit, the 1-block size of transfers is not stopped. The ACT bit retains 1 from writing 0 to the DTE bit to completion of a 1-block size transfer.

In burst mode, up to three times of DMA transfer are performed from the cycle in which the DTE bit is written to 0. The ACT bit retains 1 from writing 0 to the DTE bit to completion of DMA transfer.

**(7) ERRF Bit in DMDR**

When an address error or an NMI interrupt occur, the DMAC clears the DTE bits for all the channels to stop a transfer. In addition, it sets the ERRF bit in DMDR\_0 to 1 to indicate that an address error or an NMI interrupt has occurred regardless of whether or not the DMAC is in operation.

**(8) ESIF Bit in DMDR**

When an interrupt by an transfer size error, a repeat size end, or an extended repeat area overflow is requested, the ESIF bit in DMDR is set to 1. When both the ESIF and ESIE bits are set to 1, a transfer escape interrupt is requested to the CPU or DTC.

The ESIF bit is set to 1 when the ACT bit in DMDR is cleared to 0 to stop a transfer after the bus cycle of the interrupt source is completed.

The ESIF bit is automatically cleared to 0 and a transfer request is cleared if the transfer is resumed by setting the DTE bit to 1 during interrupt handling.

For details on interrupts, see section 7.8, Interrupt Sources.



## (9) DTIF Bit in DMDR

The DTIF bit in DMDR is set to 1 after the total transfer size of transfers is completed. When both the DTIF and DTIE bits in DMDR are set to 1, a transfer end interrupt by the transfer counter is requested to the CPU or DTC.

The DTIF bit is set to 1 when the ACT bit in DMDR is cleared to 0 to stop a transfer after the bus cycle is completed.

The DTIF bit is automatically cleared to 0 and a transfer request is cleared if the transfer is resumed by setting the DTE bit to 1 during interrupt handling.

For details on interrupts, see section 7.8, Interrupt Sources.

### 7.5.8 Priority of Channels

The channels of the DMAC are given following priority levels: channel 0 > channel 1 > channel 2 > channel 3. Table 7.6 shows the priority levels among the DMAC channels.

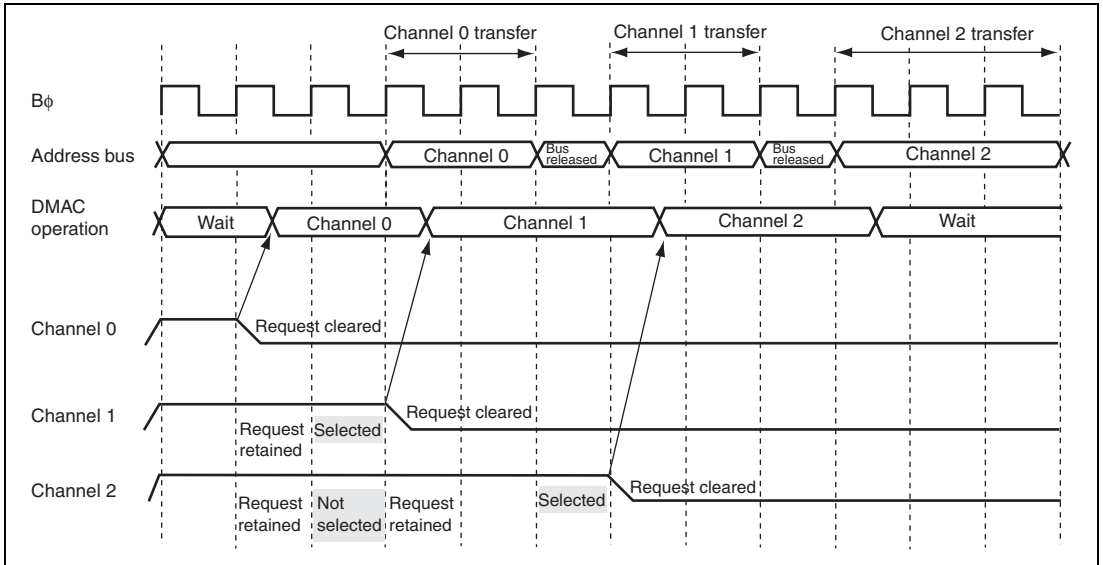
**Table 7.6 Priority among DMAC Channels**

Channel	Priority
Channel 0	
Channel 1	
Channel 2	
Channel 3	

The channel having highest priority other than the channel being transferred is selected when a transfer is requested from other channels. The selected channel starts the transfer after the channel being transferred releases the bus. At this time, when a bus master other than the DMAC requests the bus, the cycle for the bus master is inserted.

In a burst transfer or a block transfer, channels are not switched.

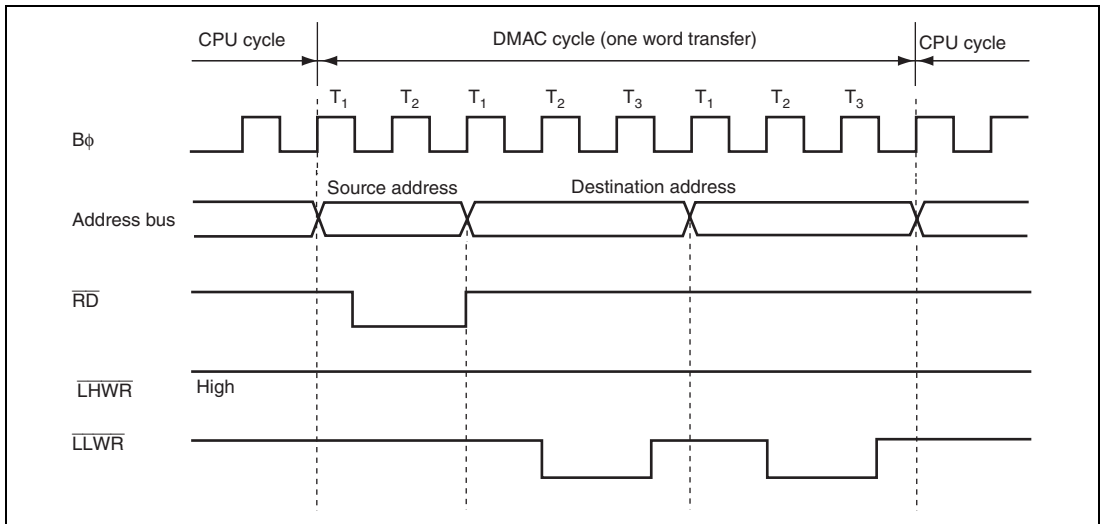
Figure 7.22 shows a transfer example when multiple transfer requests from channels 0 to 2.



**Figure 7.22 Example of Timing for Channel Priority**

### 7.5.9 DMA Basic Bus Cycle

Figure 7.23 shows an examples of signal timing of a basic bus cycle. In figure 7.23, data is transferred in words from the 16-bit 2-state access space to the 8-bit 3-state access space. When the bus mastership is passed from the DMAC to the CPU, data is read from the source address and it is written to the destination address. The bus is not released between the read and write cycles by other bus requests. DMAC bus cycles follows the bus controller settings.



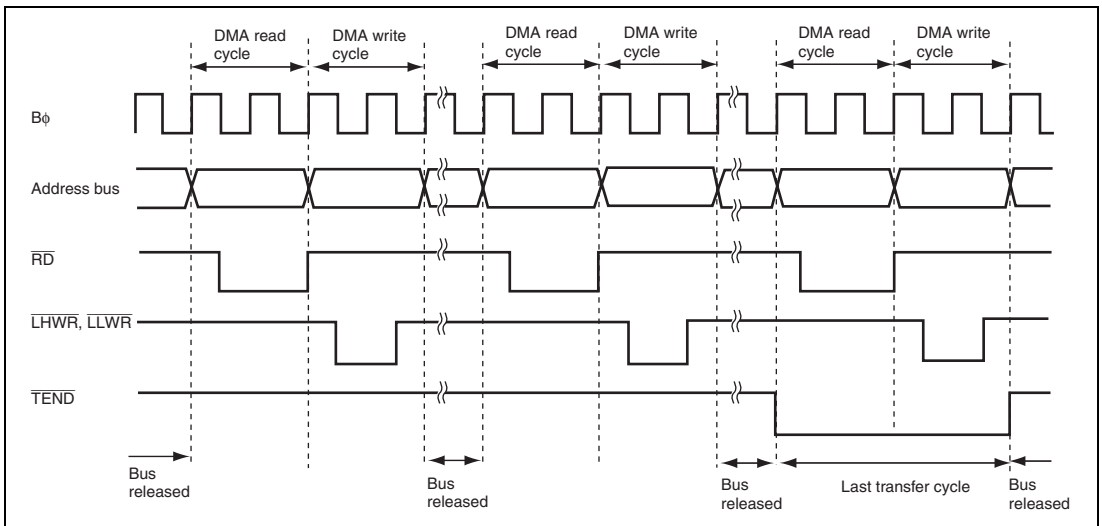
**Figure 7.23 Example of Bus Timing of DMA Transfer**

### 7.5.10 Bus Cycles in Dual Address Mode

#### (1) Normal Transfer Mode (Cycle Stealing Mode)

In cycle stealing mode, the bus is released every time one transfer size of data (one byte, one word, or one longword) is completed. One bus cycle or more by the CPU or DTC are executed in the bus released cycles.

In figure 7.24, the  $\overline{\text{TEND}}$  signal output is enabled and data is transferred in words from the external 16-bit 2-state access space to the external 16-bit 2-state access space in normal transfer mode by cycle stealing.

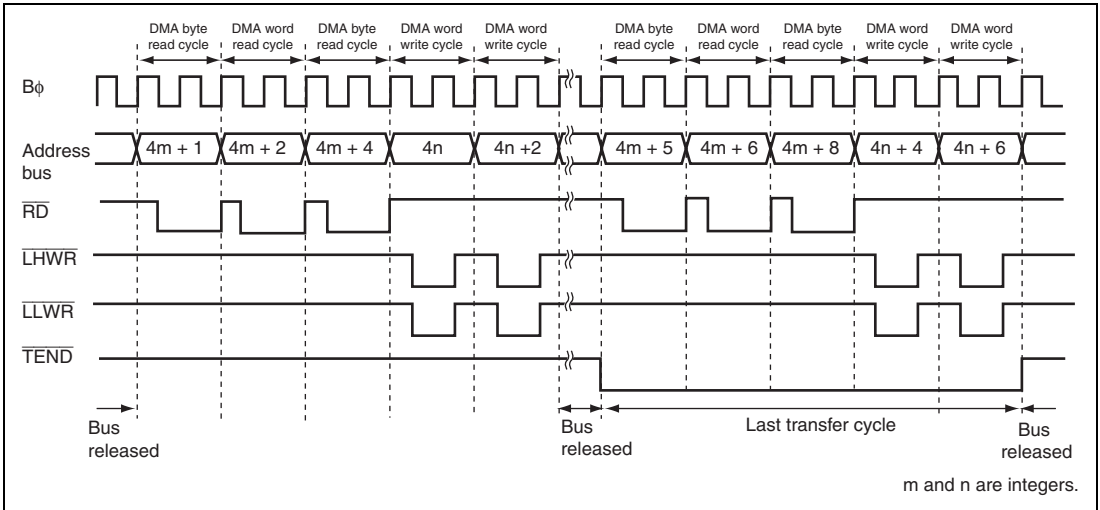


**Figure 7.24 Example of Transfer in Normal Transfer Mode by Cycle Stealing**

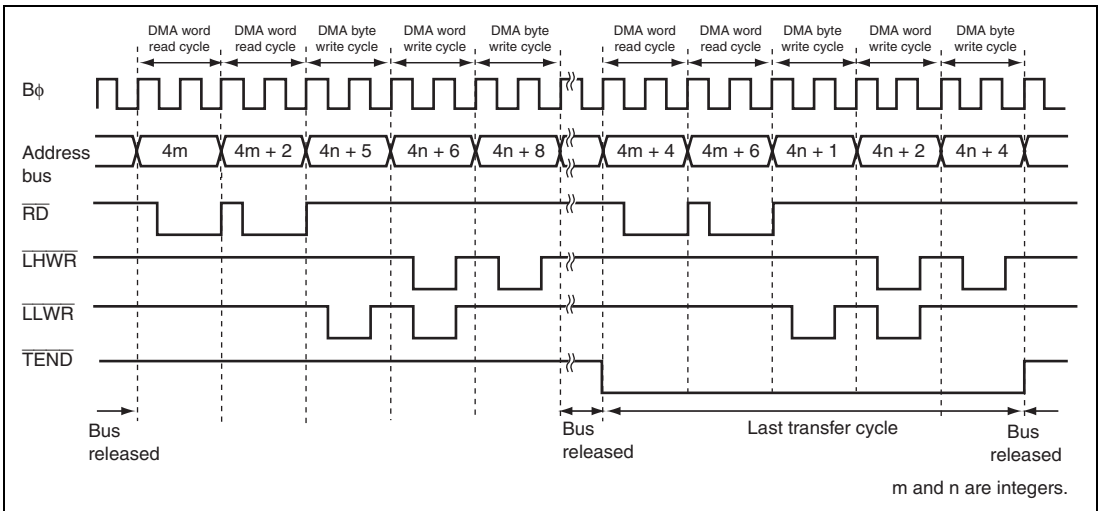
In figures 7.25 and 7.26, the  $\overline{\text{TEND}}$  signal output is enabled and data is transferred in longwords from the external 16-bit 2-state access space to the 16-bit 2-state access space in normal transfer mode by cycle stealing.

In figure 7.25, the transfer source (DSAR) is not aligned with a longword boundary and the transfer destination (DDAR) is aligned with a longword boundary.

In figure 7.26, the transfer source (DSAR) is aligned with a longword boundary and the transfer destination (DDAR) is not aligned with a longword boundary.



**Figure 7.25 Example of Transfer in Normal Transfer Mode by Cycle Stealing  
(Transfer Source DSAR = Odd Address and Source Address Increment)**



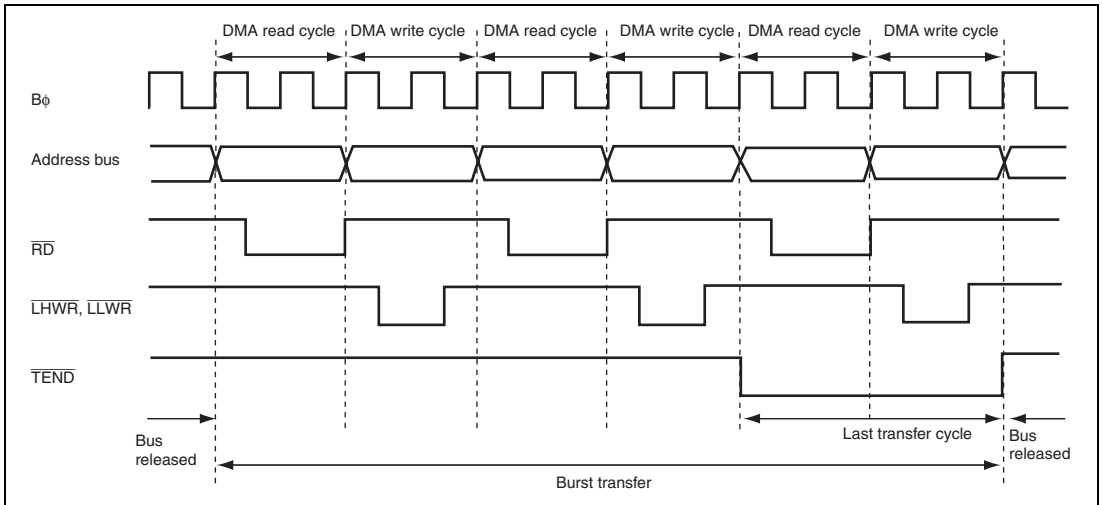
**Figure 7.26 Example of Transfer in Normal Transfer Mode by Cycle Stealing  
(Transfer Destination DDAR = Odd Address and Destination Address Decrement)**

## (2) Normal Transfer Mode (Burst Mode)

In burst mode, one byte, one word, or one longword of data continues to be transferred until the transfer end condition is satisfied.

When a burst transfer starts, a transfer request from a channel having priority is suspended until the burst transfer is completed.

In figure 7.27, the  $\overline{\text{TEND}}$  signal output is enabled and data is transferred in words from the external 16-bit 2-state access space to the external 16-bit 2-state access space in normal transfer mode by burst access.

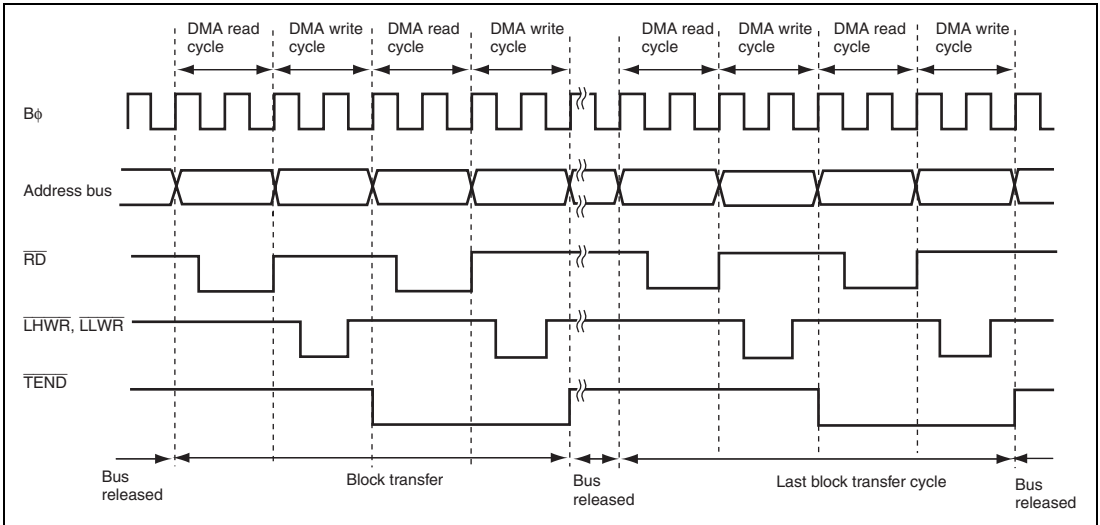


**Figure 7.27 Example of Transfer in Normal Transfer Mode by Burst Access**

### (3) Block Transfer Mode

In block transfer mode, the bus is released every time a 1-block size of transfers at a single transfer request is completed.

In figure 7.28, the  $\overline{TEND}$  signal output is enabled and data is transferred in words from the external 16-bit 2-state access space to the external 16-bit 2-state access space in block transfer mode.



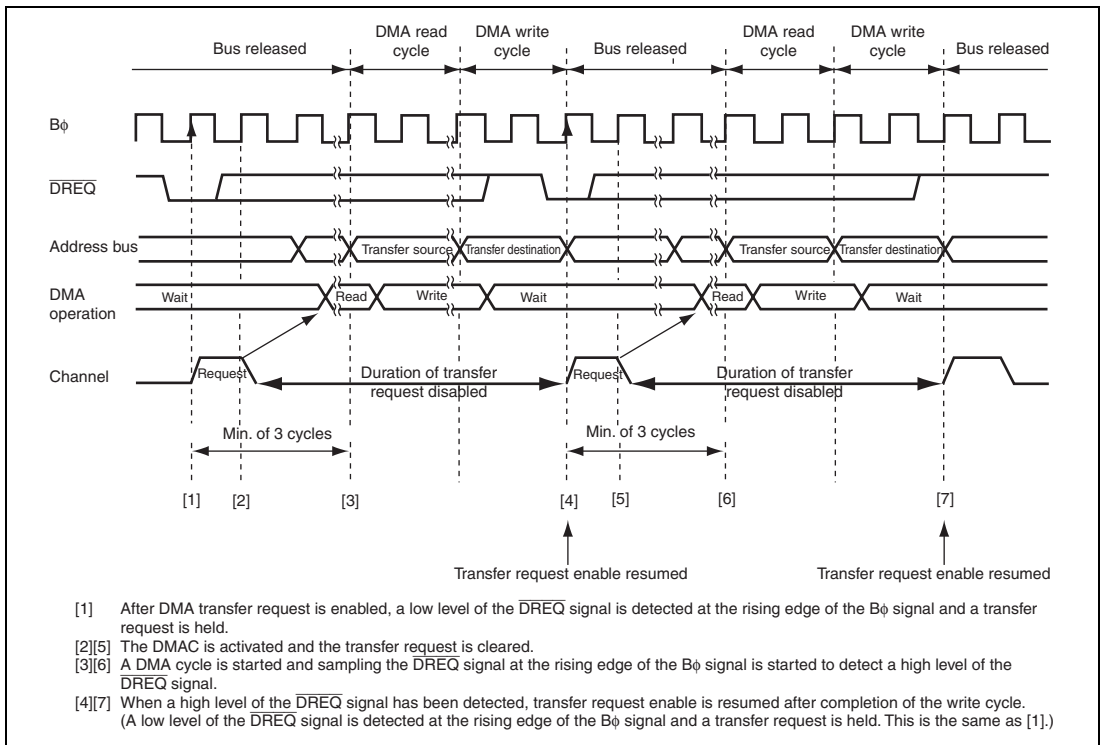
**Figure 7.28 Example of Transfer in Block Transfer Mode**

#### (4) Activation Timing by $\overline{\text{DREQ}}$ Falling Edge

Figure 7.29 shows an example of normal transfer mode activated by the  $\overline{\text{DREQ}}$  signal falling edge.

The  $\overline{\text{DREQ}}$  signal is sampled every cycle from the next rising edge of the  $\text{B}\phi$  signal immediately after the DTE bit write cycle.

When a low level of the  $\overline{\text{DREQ}}$  signal is detected while a transfer request by the  $\overline{\text{DREQ}}$  signal is enabled, a transfer request is held in the DMAC. When the DMAC is activated, the transfer request is cleared and starts detecting a high level of the  $\overline{\text{DREQ}}$  signal for falling edge detection. If a high level of the  $\overline{\text{DREQ}}$  signal has been detected until completion of the DMA write cycle, receiving the next transfer request resumes and then a low level of the  $\overline{\text{DREQ}}$  signal is detected. This operation is repeated until the transfer is completed.



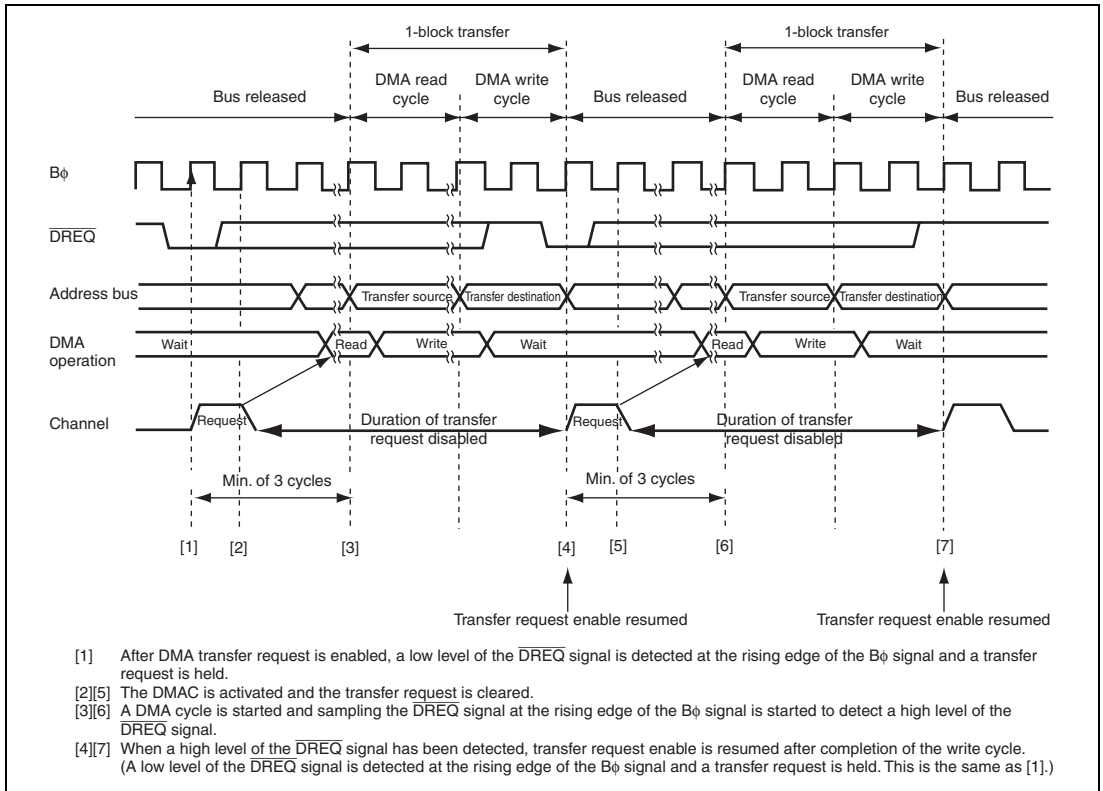
**Figure 7.29 Example of Transfer in Normal Transfer Mode Activated by  $\overline{\text{DREQ}}$  Falling Edge**



Figure 7.30 shows an example of block transfer mode activated by the  $\overline{\text{DREQ}}$  signal falling edge.

The  $\overline{\text{DREQ}}$  signal is sampled every cycle from the next rising edge of the  $\text{B}\phi$  signal immediately after the DTE bit write cycle.

When a low level of the  $\overline{\text{DREQ}}$  signal is detected while a transfer request by the  $\overline{\text{DREQ}}$  signal is enabled, a transfer request is held in the DMAC. When the DMAC is activated, the transfer request is cleared and starts detecting a high level of the  $\overline{\text{DREQ}}$  signal for falling edge detection. If a high level of the  $\overline{\text{DREQ}}$  signal has been detected until completion of the DMA write cycle, receiving the next transfer request resumes and then a low level of the  $\overline{\text{DREQ}}$  signal is detected. This operation is repeated until the transfer is completed.



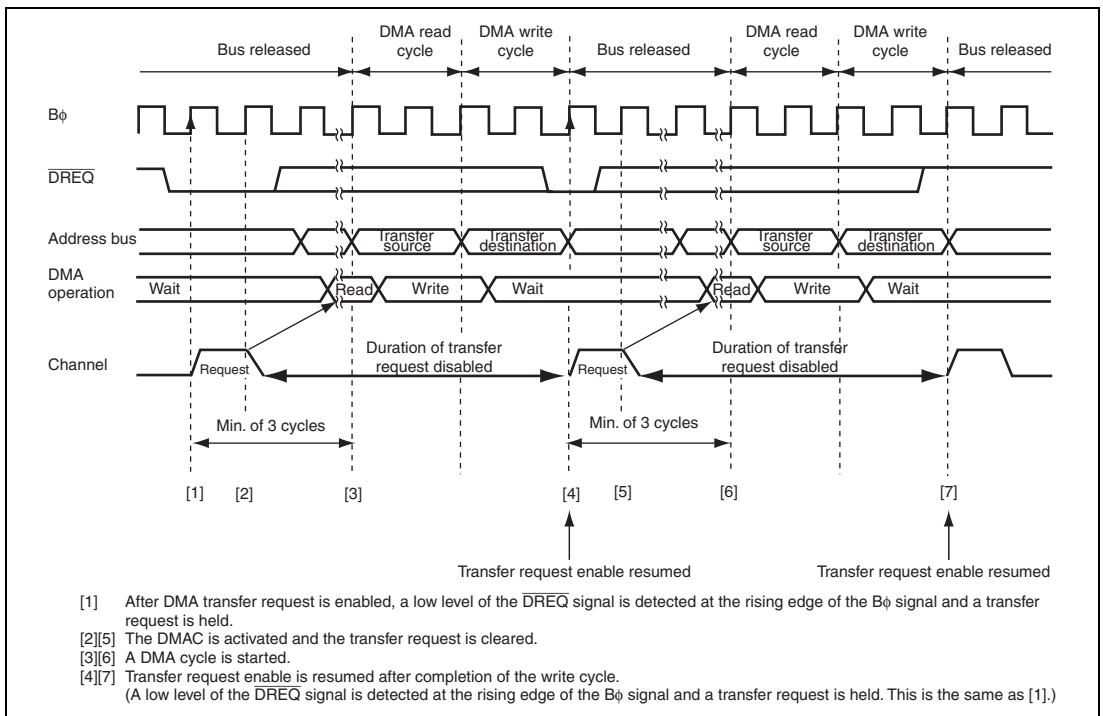
**Figure 7.30 Example of Transfer in Block Transfer Mode Activated by  $\overline{\text{DREQ}}$  Falling Edge**

### (5) Activation Timing by $\overline{\text{DREQ}}$ Low Level

Figure 7.31 shows an example of normal transfer mode activated by the  $\overline{\text{DREQ}}$  signal low level.

The  $\overline{\text{DREQ}}$  signal is sampled every cycle from the next rising edge of the  $\text{B}\phi$  signal immediately after the DTE bit write cycle.

When a low level of the  $\overline{\text{DREQ}}$  signal is detected while a transfer request by the  $\overline{\text{DREQ}}$  signal is enabled, a transfer request is held in the DMAC. When the DMAC is activated, the transfer request is cleared. Receiving the next transfer request resumes after completion of the write cycle and then a low level of the  $\overline{\text{DREQ}}$  signal is detected. This operation is repeated until the transfer is completed.

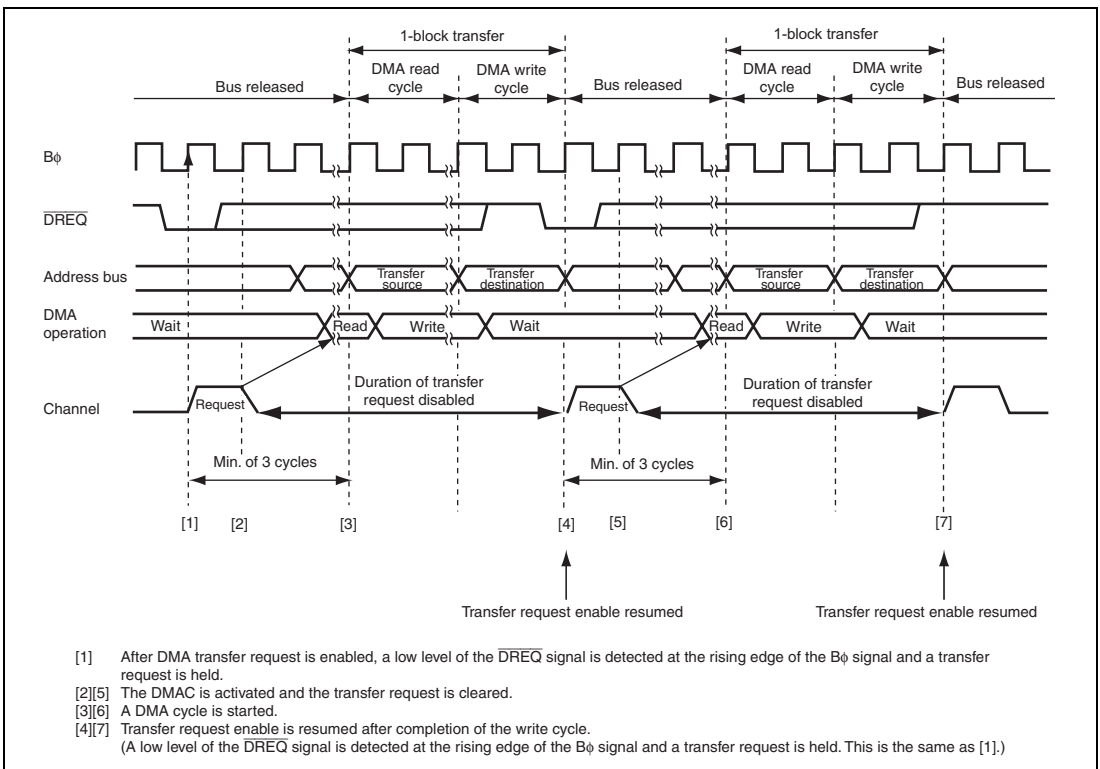


**Figure 7.31 Example of Transfer in Normal Transfer Mode Activated by  $\overline{\text{DREQ}}$  Low Level**

Figure 7.32 shows an example of block transfer mode activated by the  $\overline{\text{DREQ}}$  signal low level.

The  $\overline{\text{DREQ}}$  signal is sampled every cycle from the next rising edge of the  $\text{B}\phi$  signal immediately after the DTE bit write cycle.

When a low level of the  $\overline{\text{DREQ}}$  signal is detected while a transfer request by the  $\overline{\text{DREQ}}$  signal is enabled, a transfer request is held in the DMAC. When the DMAC is activated, the transfer request is cleared. Receiving the next transfer request resumes after completion of the write cycle and then a low level of the  $\overline{\text{DREQ}}$  signal is detected. This operation is repeated until the transfer is completed.



**Figure 7.32 Example of Transfer in Block Transfer Mode Activated by  $\overline{\text{DREQ}}$  Low Level**

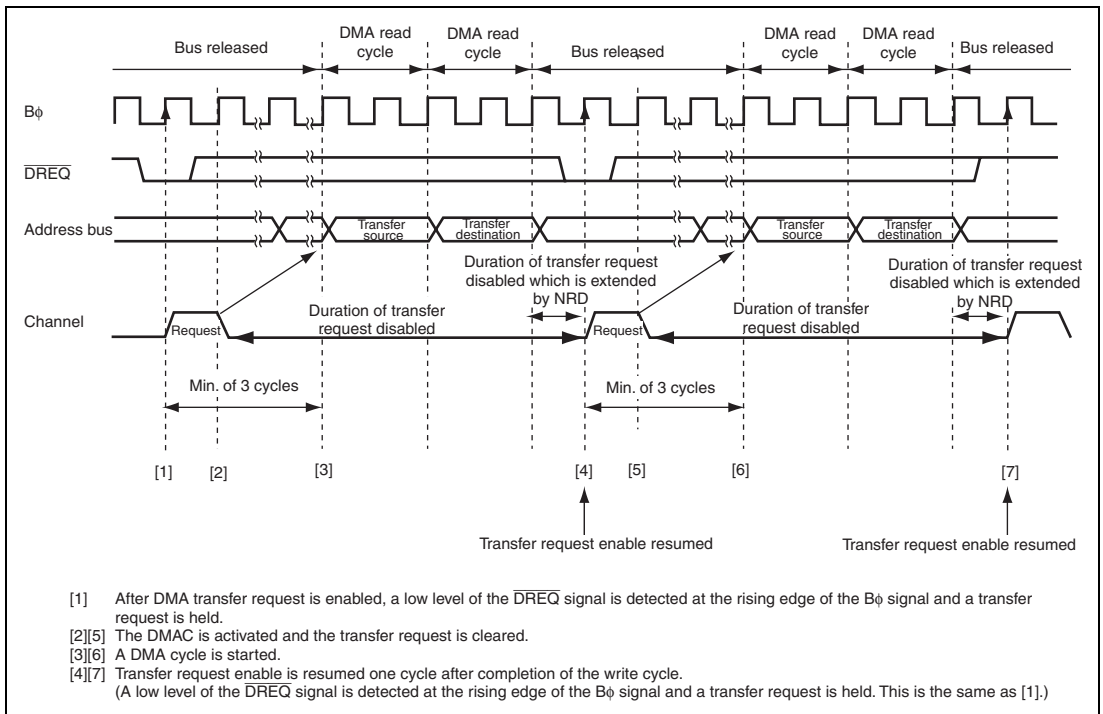
## (6) Activation Timing by $\overline{\text{DREQ}}$ Low Level with $\text{NRD} = 1$

When the  $\text{NRD}$  bit in  $\text{DMDR}$  is set to 1, the timing of receiving the next transfer request is delayed for one cycle.

Figure 7.33 shows an example of normal transfer mode activated by the  $\overline{\text{DREQ}}$  signal low level with  $\text{NRD} = 1$ .

The  $\overline{\text{DREQ}}$  signal is sampled every cycle from the next rising edge of the  $\text{B}\phi$  signal immediately after the  $\text{DTE}$  bit write cycle.

When a low level of the  $\overline{\text{DREQ}}$  signal is detected while a transfer request by the  $\overline{\text{DREQ}}$  signal is enabled, a transfer request is held in the  $\text{DMAC}$ . When the  $\text{DMAC}$  is activated, the transfer request is cleared. Receiving the next transfer request resumes after completion of the write cycle and then a low level of the  $\overline{\text{DREQ}}$  signal is detected. This operation is repeated until the transfer is completed.



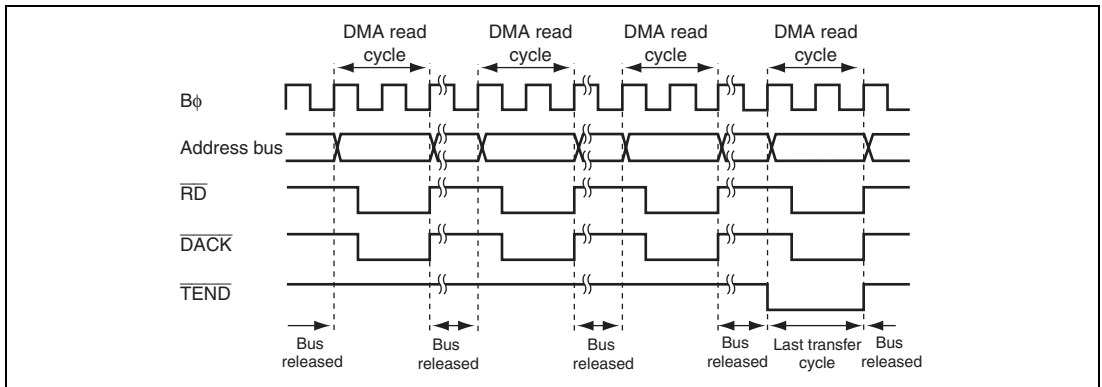
**Figure 7.33 Example of Transfer in Normal Transfer Mode Activated by  $\overline{\text{DREQ}}$  Low Level with  $\text{NRD} = 1$**

### 7.5.11 Bus Cycles in Single Address Mode

#### (1) Single Address Mode (Read and Cycle Stealing)

In single address mode, one byte, one word, or one longword of data is transferred at a single transfer request and after the transfer the bus is released temporarily. One bus cycle or more by the CPU or DTC are executed in the bus released cycles.

In figure 7.34, the  $\overline{\text{TEND}}$  signal output is enabled and data is transferred in bytes from the external 8-bit 2-state access space to the external device in single address mode (read).

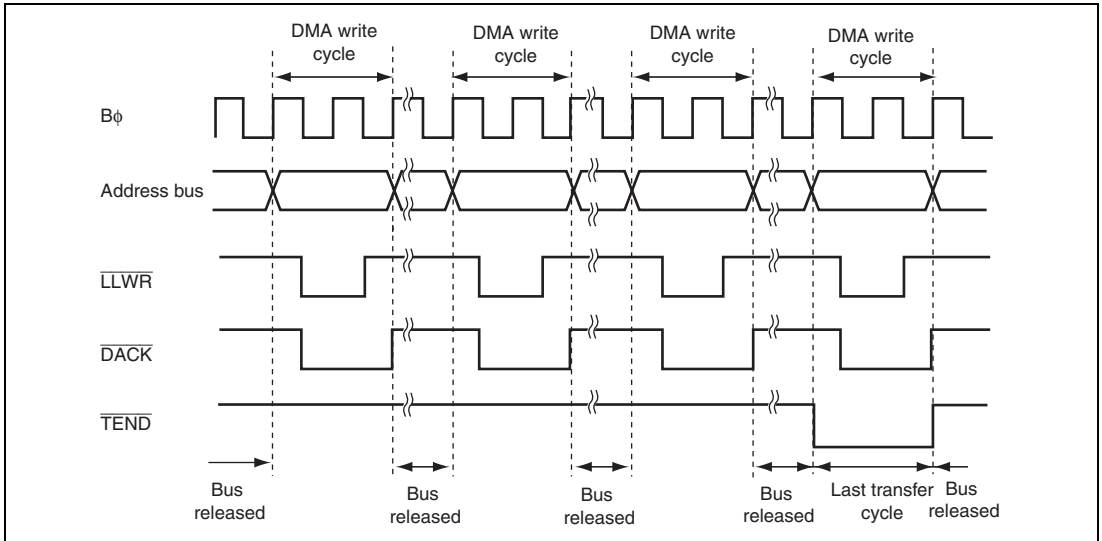


**Figure 7.34 Example of Transfer in Single Address Mode (Byte Read)**

## (2) Single Address Mode (Write and Cycle Stealing)

In single address mode, data of one byte, one word, or one longword is transferred at a single transfer request and after the transfer the bus is released temporarily. One bus cycle or more by the CPU or DTC are executed in the bus released cycles.

In figure 7.35, the  $\overline{\text{TEND}}$  signal output is enabled and data is transferred in bytes from the external 8-bit 2-state access space to the external device in single address mode (write).



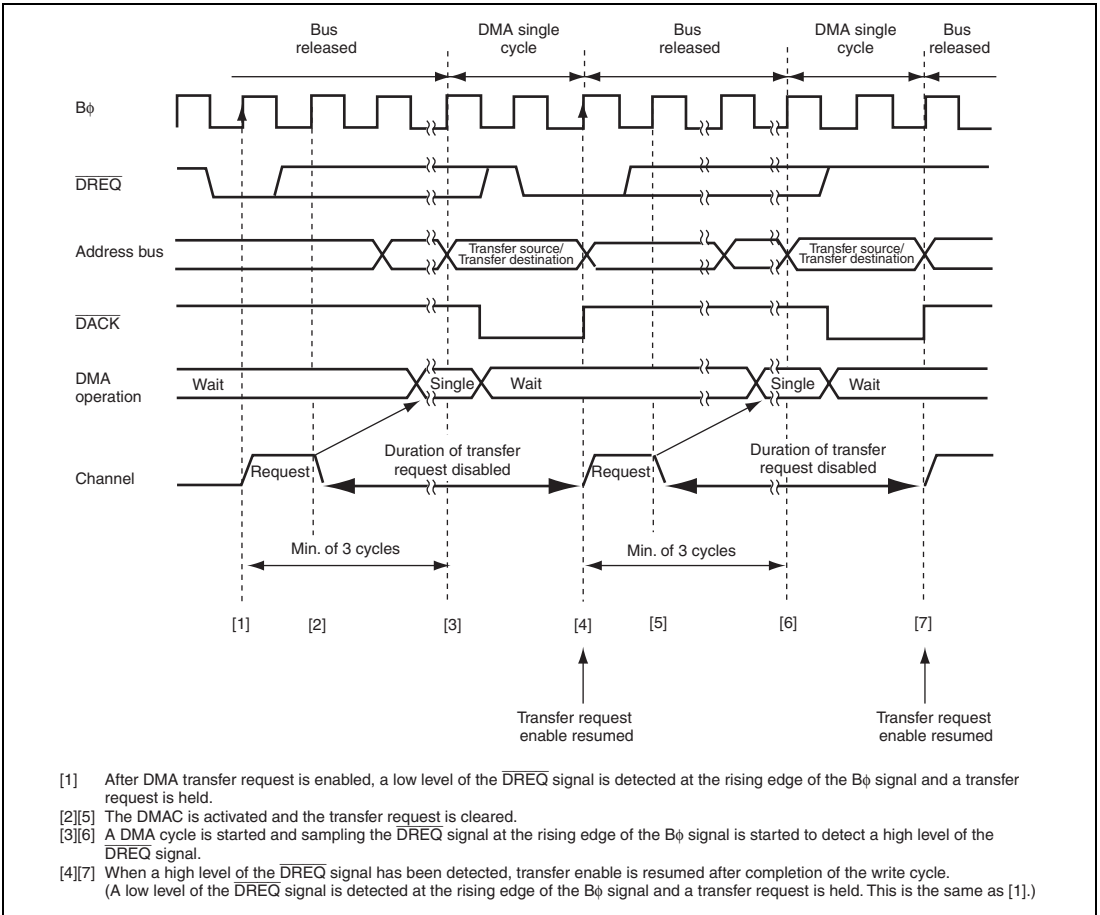
**Figure 7.35 Example of Transfer in Single Address Mode (Byte Write)**

## (3) Activation Timing by $\overline{\text{DREQ}}$ Falling Edge

Figure 7.36 shows an example of single address mode activated by the  $\overline{\text{DREQ}}$  signal falling edge.

The  $\overline{\text{DREQ}}$  signal is sampled every cycle from the next rising edge of the  $\text{B}\phi$  signal immediately after the DTE bit write cycle.

When a low level of the  $\overline{\text{DREQ}}$  signal is detected while a transfer request by the  $\overline{\text{DREQ}}$  signal is enabled, a transfer request is held in the DMAC. When the DMAC is activated, the transfer request is cleared and starts detecting a high level of the  $\overline{\text{DREQ}}$  signal for falling edge detection. If a high level of the  $\overline{\text{DREQ}}$  signal has been detected until completion of the single cycle, receiving the next transfer request resumes and then a low level of the  $\overline{\text{DREQ}}$  signal is detected. This operation is repeated until the transfer is completed.



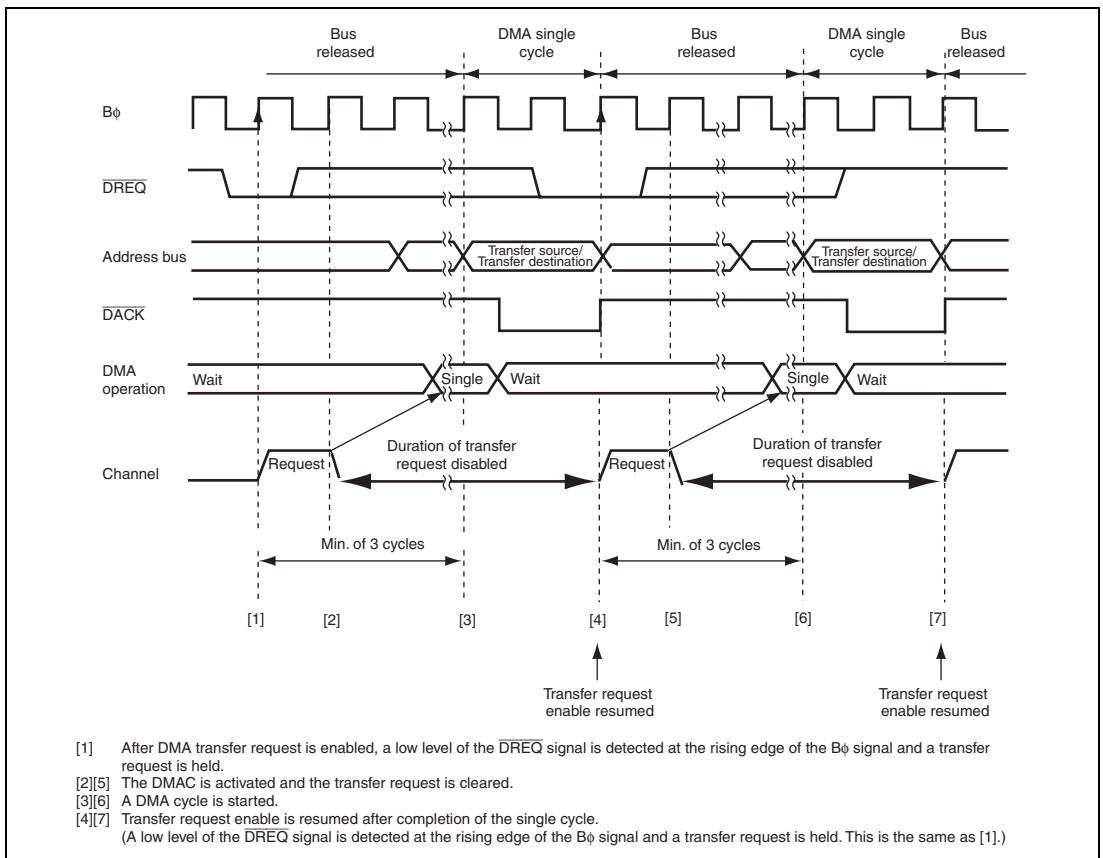
**Figure 7.36 Example of Transfer in Single Address Mode Activated by  $\overline{DREQ}$  Falling Edge**

#### (4) Activation Timing by $\overline{\text{DREQ}}$ Low Level

Figure 7.37 shows an example of normal transfer mode activated by the  $\overline{\text{DREQ}}$  signal low level.

The  $\overline{\text{DREQ}}$  signal is sampled every cycle from the next rising edge of the  $\text{B}\phi$  signal immediately after the DTE bit write cycle.

When a low level of the  $\overline{\text{DREQ}}$  signal is detected while a transfer request by the  $\overline{\text{DREQ}}$  signal is enabled, a transfer request is held in the DMAC. When the DMAC is activated, the transfer request is cleared. Receiving the next transfer request resumes after completion of the single cycle and then a low level of the  $\overline{\text{DREQ}}$  signal is detected. This operation is repeated until the transfer is completed.



**Figure 7.37 Example of Transfer in Single Address Mode Activated by  $\overline{\text{DREQ}}$  Low Level**



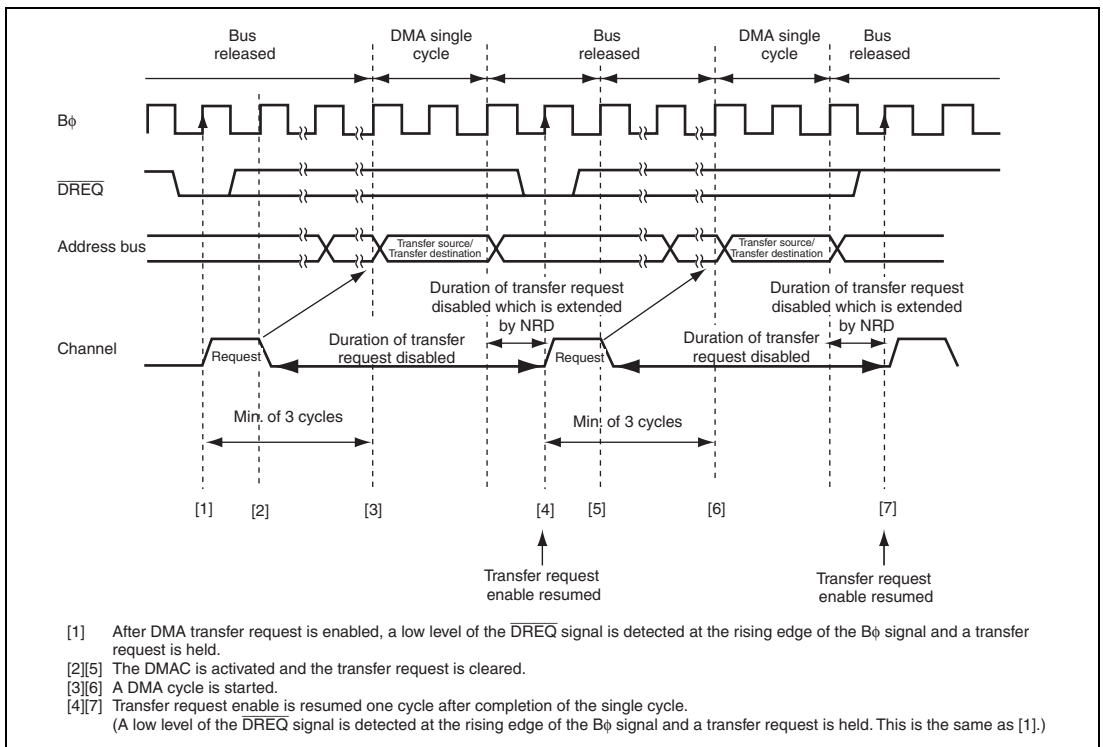
### (5) Activation Timing by $\overline{\text{DREQ}}$ Low Level with $\text{NRD} = 1$

When the  $\text{NRD}$  bit in  $\text{DMDR}$  is set to 1, the timing of receiving the next transfer request is delayed for one cycle.

Figure 7.38 shows an example of single address mode activated by the  $\overline{\text{DREQ}}$  signal low level with  $\text{NRD} = 1$ .

The  $\overline{\text{DREQ}}$  signal is sampled every cycle from the next rising edge of the  $\text{B}\phi$  signal immediately after the  $\text{DTE}$  bit write cycle.

When a low level of the  $\overline{\text{DREQ}}$  signal is detected while a transfer request by the  $\overline{\text{DREQ}}$  signal is enabled, a transfer request is held in the  $\text{DMAC}$ . When the  $\text{DMAC}$  is activated, the transfer request is cleared. Receiving the next transfer request resumes after one cycle of the transfer request duration inserted by  $\text{NRD} = 1$  on completion of the single cycle and then a low level of the  $\overline{\text{DREQ}}$  signal is detected. This operation is repeated until the transfer is completed.



**Figure 7.38 Example of Transfer in Single Address Mode Activated by  $\overline{\text{DREQ}}$  Low Level with  $\text{NRD} = 1$**

## 7.6 DMA Transfer End

Operations on completion of a transfer differ according to the transfer end condition. DMA transfer completion is indicated that the DTE and ACT bits in DMDR are changed from 1 to 0.

### (1) Transfer End by DTCR Change from 1, 2, or 4, to 0

When DTCR is changed from 1, 2, or 4 to 0, a DMA transfer for the channel is completed. The DTE bit in DMDR is cleared to 0 and the DTIF bit in DMDR is set to 1. At this time, when the DTIE bit in DMDR is set to 1, a transfer end interrupt by the transfer counter is requested. When the DTCR value is 0 before the transfer, the transfer is not stopped.

### (2) Transfer End by Transfer Size Error Interrupt

When the following conditions are satisfied while the TSEIE bit in DMDR is set to 1, a transfer size error occurs and a DMA transfer is terminated. At this time, the DTE bit in DMR is cleared to 0 and the ESIF bit in DMDR is set to 1.

- In normal transfer mode and repeat transfer mode, when the next transfer is requested while a transfer is disabled due to the DTCR value less than the data access size
- In block transfer mode, when the next transfer is requested while a transfer is disabled due to the DTCR value less than the block size

When the TSEIE bit in DMDR is cleared to 0, data is transferred until the DTCR value reaches 0. A transfer size error is not generated. Operation in each transfer mode is shown below.

- In normal transfer mode and repeat transfer mode, when the DTCR value is less than the data access size, data is transferred in bytes
- In block transfer mode, when the DTCR value is less than the block size, the specified size of data in DTCR is transferred instead of transferring the block size of data. The transfer is performed in bytes.

### (3) Transfer End by Repeat Size End Interrupt

In repeat transfer mode, when the next transfer is requested after completion of a 1-repeat size data transfer while the RPTIE bit in DACR is set to 1, a repeat size end interrupt is requested. When the interrupt is requested to complete DMA transfer, the DTE bit in DMDR is cleared to 0 and the ESIF bit in DMDR is set to 1. Under this condition, setting the DTE bit to 1 resumes the transfer.

In block transfer mode, when the next transfer is requested after completion of a 1-block size data transfer, a repeat size end interrupt can be requested.

#### **(4) Transfer End by Interrupt on Extended Repeat Area Overflow**

When an overflow on the extended repeat area occurs while the extended repeat area is specified and the SARIE or DARIE bit in DACR is set to 1, an interrupt by an extended repeat area overflow is requested. When the interrupt is requested, the DMA transfer is terminated, the DTE bit in DMDR is cleared to 0, and the ESIF bit in DMDR is set to 1.

In dual address mode, even if an interrupt by an extended repeat area overflow occurs during a read cycle, the following write cycle is performed.

In block transfer mode, even if an interrupt by an extended repeat area overflow occurs during a 1-block transfer, the remaining data is transferred. The transfer is not terminated by an extended repeat area overflow interrupt unless the current transfer is complete.

#### **(5) Transfer End by Clearing DTE Bit in DMDR**

When the DTE bit in DMDR is cleared to 0 by the CPU, a transfer is completed after the current DMA cycle and a DMA cycle in which the transfer request is accepted are completed.

In block transfer mode, a DMA transfer is completed after 1-block data is transferred.

#### **(6) Transfer End by NMI Interrupt**

When an NMI interrupt is requested, the DTE bits for all the channels are cleared to 0 and the ERRF bit in DMDR\_0 is set to 1. When an NMI interrupt is requested during a DMA transfer, the transfer is forced to stop. To perform DMA transfer after an NMI interrupt is requested, clear the ERRF bit to 0 and then set the DTE bits for the channels to 1.

The transfer end timings after an NMI interrupt is requested are shown below.

##### **(a) Normal Transfer Mode and Repeat Transfer Mode**

In dual address mode, a DMA transfer is completed after completion of the write cycle for one transfer unit.

In single address mode, a DMA transfer is completed after completion of the bus cycle for one transfer unit.

##### **(b) Block Transfer Mode**

A DMA transfer is forced to stop. Since a 1-block size of transfers is not completed, operation is not guaranteed.

In dual address mode, the write cycle corresponding to the read cycle is performed. This is similar to (a) in normal transfer mode.

## **(7) Transfer End by Address Error**

When an address error occurs, the DTE bits for all the channels are cleared to 0 and the ERRF bit in DMDR\_0 is set to 1. When an address error occurs during a DMA transfer, the transfer is forced to stop. To perform a DMA transfer after an address error occurs, clear the ERRF bit to 0 and then set the DTE bits for the channels.

The transfer end timing after an address error is the same as that after an NMI interrupt.

## **(8) Transfer End by Hardware Standby Mode or Reset**

The DMAC is initialized by a reset and a transition to the hardware standby mode. A DMA transfer is not guaranteed.

# **7.7 Relationship among DMAC and Other Bus Masters**

## **7.7.1 CPU Priority Control Function Over DMAC**

The CPU priority control function over DMAC can be used according to the CPU priority control register (CPUPCR) setting. For details, see section 5.7, CPU Priority Control Function Over DTC and DMAC.

The priority level of the DMAC is specified by bits DMAP2 to DMAP0 and can be specified for each channel.

The priority level of the CPU is specified by bits CPUP2 to CPUP0. The value of bits CPUP2 to CPUP0 is updated according to the exception handling priority.

If the CPU priority control is enabled by the CPUPCE bit in CPUPCR, when the CPU has priority over the DMAC, a transfer request for the corresponding channel is masked and the transfer is not activated. When another channel has priority over or the same as the CPU, a transfer request is received regardless of the priority between channels and the transfer is activated.

The transfer request masked by the CPU priority control function is suspended. When the transfer channel is given priority over the CPU by changing priority levels of the CPU or channel, the transfer request is received and the transfer is resumed. Writing 0 to the DTE bit clears the suspended transfer request.

When the CPUPCE bit is cleared to 0, it is regarded as the lowest priority.

### 7.7.2 Bus Arbitration among DMAC and Other Bus Masters

When DMA transfer cycles are consecutively performed, bus cycles of other bus masters may be inserted between the transfer cycles. The DMAC can release the bus temporarily to pass the bus to other bus masters.

The consecutive DMA transfer cycles may not be divided according to the transfer mode settings to achieve high-speed access.

The read and write cycles of a DMA transfer are not separated. Refreshing, external bus release, and on-chip bus master (CPU or DTC) cycles are not inserted between the read and write cycles of a DMA transfer.

In block transfer mode and an auto request transfer by burst access, bus cycles of the DMA transfer are consecutively performed. For this duration, since the DMAC has priority over the CPU and DTC, accesses to the external space is suspended (the IBCCS bit in the bus control register 2 (BCR2) is cleared to 0).

When the bus is passed to another channel or an auto request transfer by cycle stealing, bus cycles of the DMAC and on-chip bus master are performed alternatively.

When the arbitration function among the DMAC and on-chip bus masters is enabled by setting the IBCCS bit in BCR2, the bus is used alternatively except the bus cycles which are not separated. For details, see section 6, Bus Controller (BSC).

A conflict may occur between external space access of the DMAC and an external bus release cycle. Even if a burst or block transfer is performed by the DMAC, the transfer is stopped temporarily and a cycle of external bus release is inserted by the BSC according to the external bus priority (when the CPU external access and the DTC external access do not have priority over a DMAC transfer, the transfers are not operated until the DMAC releases the bus).

In dual address mode, the DMAC releases the external bus after the external space write cycle. Since the read and write cycles are not separated, the bus is not released.

An internal space (on-chip memory and internal I/O registers) access of the DMAC and an external bus release cycle may be performed at the same time.

## 7.8 Interrupt Sources

The DMAC interrupt sources are a transfer end interrupt by the transfer counter and a transfer escape end interrupt which is generated when a transfer is terminated before the transfer counter reaches 0. Table 7.7 shows interrupt sources and priority.

**Table 7.7 Interrupt Sources and Priority**

Abbr.	Interrupt Sources	Priority
DMTEND0	Transfer end interrupt by channel 0 transfer counter	
DMTEND1	Transfer end interrupt by channel 1 transfer counter	
DMTEND2	Transfer end interrupt by channel 2 transfer counter	
DMTEND3	Transfer end interrupt by channel 3 transfer counter	
DMEEND0	Interrupt by channel 0 transfer size error	
	Interrupt by channel 0 repeat size end	
	Interrupt by channel 0 extended repeat area overflow on source address	
	Interrupt by channel 0 extended repeat area overflow on destination address	
DMEEND1	Interrupt by channel 1 transfer size error	
	Interrupt by channel 1 repeat size end	
	Interrupt by channel 1 extended repeat area overflow on source address	
	Interrupt by channel 1 extended repeat area overflow on destination address	
DMEEND2	Interrupt by channel 2 transfer size error	
	Interrupt by channel 2 repeat size end	
	Interrupt by channel 2 extended repeat area overflow on source address	
	Interrupt by channel 2 extended repeat area overflow on destination address	
DMEEND3	Interrupt by channel 3 transfer size error	
	Interrupt by channel 3 repeat size end	
	Interrupt by channel 3 extended repeat area overflow on source address	
	Interrupt by channel 3 extended repeat area overflow on destination address	

Each interrupt is enabled or disabled by the DTIE and ESIE bits in DMDR for the corresponding channel. A DMTEND interrupt is generated by the combination of the DTIF and DTIE bits in DMDR. A DMEEND interrupt is generated by the combination of the ESIF and ESIE bits in DMDR. The DMEEND interrupt sources are not distinguished. The priority among channels are decided by the interrupt controller and it is shown in table 7.7. For details, see section 5, Interrupt Controller.

Each interrupt source is specified by the interrupt enable bit in the register for the corresponding channel. A transfer end interrupt by the transfer counter, a transfer size error interrupt, a repeat size end interrupt, an interrupt by an extended repeat area overflow on the source address, and an interrupt by an extended repeat area overflow on the destination address are enabled or disabled by the DTIE bit in DMDR, the TSEIE bit in DMDR, the RPTIE bit in DACR, SARIE bit in DACR, and the DARIE bit in DACR, respectively.

A transfer end interrupt by the transfer counter is generated when the DTIF bit in DMDR is set to 1. The DTIF bit is set to 1 when DTCR becomes 0 by a transfer while the DTIE bit in DMDR is set to 1.

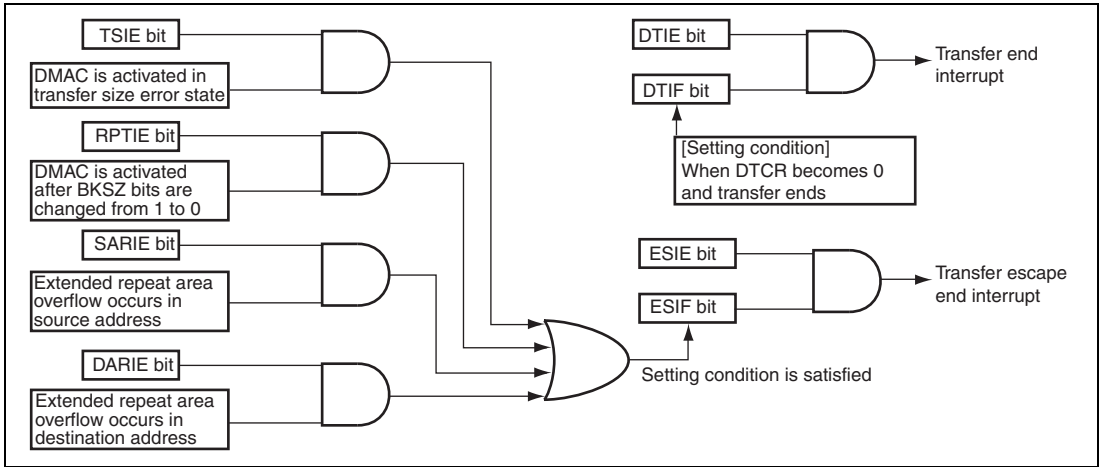
An interrupt other than the transfer end interrupt by the transfer counter is generated when the ESIF bit in DMDR is set to 1. The ESIF bit is set to 1 when the conditions are satisfied by a transfer while the enable bit is set to 1.

A transfer size error interrupt is generated when the next transfer cannot be performed because the DTCR value is less than the data access size, meaning that the data access size of transfers cannot be performed. In block transfer mode, the block size is compared with the DTCR value for transfer error decision.

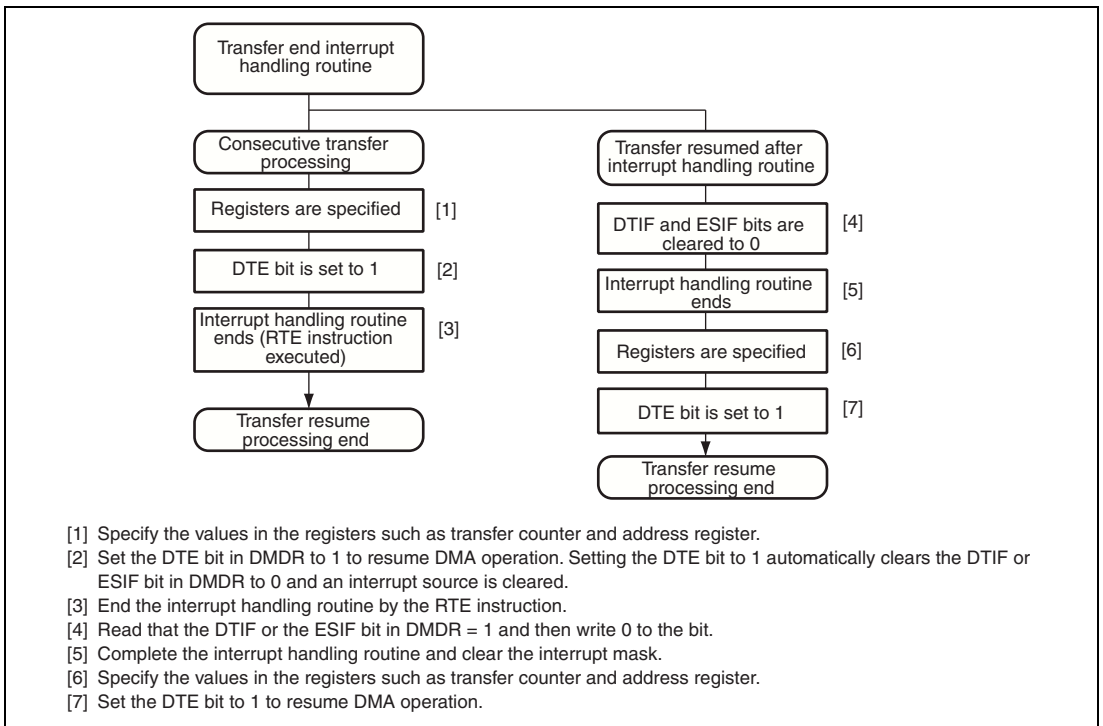
A repeat size end interrupt is generated when the next transfer is requested after completion of the repeat size of transfers in repeat transfer mode. Even when the repeat area is not specified in the address register, the transfer can be stopped periodically according to the repeat size. At this time, when a transfer end interrupt by the transfer counter is generated, the ESIF bit is set to 1.

An interrupt by an extended repeat area overflow on the source and destination addresses is generated when the address exceeds the extended repeat area (overflow). At this time, when a transfer end interrupt by the transfer counter, the ESIF bit is set to 1.

Figure 7.39 is a block diagram of interrupts and interrupt flags. To clear an interrupt, clear the DTIF or ESIF bit in DMDR to 0 in the interrupt handling routine or continue the transfer by setting the DTE bit in DMDR after setting the register. Figure 7.40 shows procedure to resume the transfer by clearing an interrupt.



**Figure 7.39** Interrupt and Interrupt Sources



**Figure 7.40** Procedure Example of Resuming Transfer by Clearing Interrupt Source



## 7.9 Notes on Usage

### 1. DMAC Register Access During Operation

Except for clearing the DTE bit in DMDR, the settings for channels being transferred (including waiting state) must not be changed. The register settings must be changed during the transfer prohibited state.

### 2. Settings of Module Stop Function

The DMAC operation can be enabled or disabled by the module stop control register. The DMAC is enabled by the initial value.

Setting bit MSTPA13 in MSTPCRA stops the clock supplied to the DMAC and the DMAC enters the module stop state. However, when a transfer for a channel is enabled or when an interrupt is being requested, bit MSTPA13 cannot be set to 1. Clear the DTE bit to 0, clear the DTIF or DTIE bit in DMDR to 0, and then set bit MSTPA13.

When the clock is stopped, the DMAC registers cannot be accessed. However, the following register settings are valid in the module stop state. Disable them before entering the module stop state, if necessary.

— TENDE bit in DMDR is 1 (the TEND signal output enabled)

— DACKE bit in DMDR is 1 (the DACK signal output enabled)

### 3. Activation by $\overline{\text{DREQ}}$ Falling Edge

The  $\overline{\text{DREQ}}$  falling edge detection is synchronized with the DMAC internal operation.

A. Activation request waiting state: Waiting for detecting the  $\overline{\text{DREQ}}$  low level. A transition to 2. is made.

B. Transfer waiting state: Waiting for a DMAC transfer. A transition to 3. is made.

C. Transfer prohibited state: Waiting for detecting the  $\overline{\text{DREQ}}$  high level. A transition to 1. is made.

After a DMAC transfer enabled, a transition to 1. is made. Therefore, the  $\overline{\text{DREQ}}$  signal is sampled by low level detection at the first activation after a DMAC transfer enabled.

### 4. Acceptation of Activation Source

At the beginning of an activation source reception, a low level is detected regardless of the setting of  $\overline{\text{DREQ}}$  falling edge or low level detection. Therefore, if the  $\overline{\text{DREQ}}$  signal is driven low before setting DMDR, the low level is received as a transfer request.

When the DMAC is activated, clear the  $\overline{\text{DREQ}}$  signal of the previous transfer.



## Section 8 Data Transfer Controller (DTC)

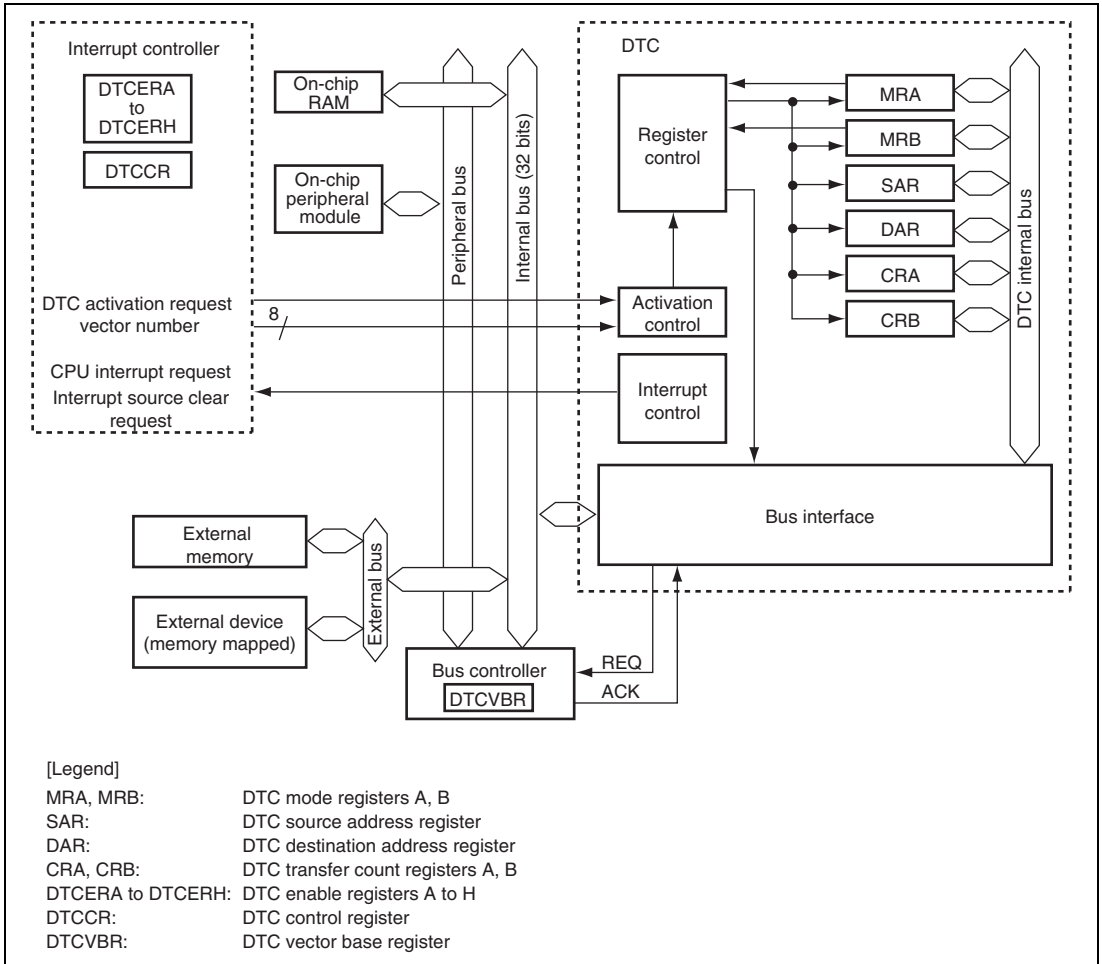
This LSI includes a data transfer controller (DTC). The DTC can be activated to transfer data by an interrupt request.

### 8.1 Features

- Transfer possible over any number of channels:
  - Multiple data transfer enabled for one activation source (chain transfer)
  - Chain transfer specifiable after data transfer (when the counter is 0)
- Three transfer modes
  - Normal/repeat/block transfer modes selectable
  - Transfer source and destination addresses can be selected from increment/decrement/fixed
- Short address mode or full address mode selectable
  - Short address mode
    - Transfer information is located on a 3-longword boundary
    - The transfer source and destination addresses can be specified by 24 bits to select a 16-Mbyte address space directly
  - Full address mode
    - Transfer information is located on a 4-longword boundary
    - The transfer source and destination addresses can be specified by 32 bits to select a 4-Gbyte address space directly
- Size of data for data transfer can be specified as byte, word, or longword
  - The bus cycle is divided if an odd address is specified for a word or longword transfer.
  - The bus cycle is divided if address  $4n + 2$  is specified for a longword transfer.
- A CPU interrupt can be requested for the interrupt that activated the DTC
  - A CPU interrupt can be requested after one data transfer completion
  - A CPU interrupt can be requested after the specified data transfer completion
- Read skip of the transfer information specifiable
- Writeback skip executed for the fixed transfer source and destination addresses
- Module stop mode specifiable

Figure 8.1 shows a block diagram of the DTC. The DTC transfer information can be allocated to the data area\*. When the transfer information is allocated to the on-chip RAM, a 32-bit bus connects the DTC to the on-chip RAM, enabling 32-bit/1-state reading and writing of the DTC transfer information.

Note: \* When the transfer information is stored in the on-chip RAM, the RAME bit in SYSCR must be set to 1.



**Figure 8.1 Block Diagram of DTC**

## 8.2 Register Descriptions

DTC has the following registers.

- DTC mode register A (MRA)
- DTC mode register B (MRB)
- DTC source address register (SAR)
- DTC destination address register (DAR)
- DTC transfer count register A (CRA)
- DTC transfer count register B (CRB)

These six registers MRA, MRB, SAR, DAR, CRA, and CRB cannot be directly accessed by the CPU. The contents of these registers are stored in the data area as transfer information. When a DTC activation request occurs, the DTC reads a start address of transfer information that is stored in the data area according to the vector address, reads the transfer information, and transfers data. After the data transfer, it writes a set of updated transfer information back to the data area.

- DTC enable registers A to H (DTCERA to DTCERH)
- DTC control register (DTCCR)
- DTC vector base register (DTCVBR)

### 8.2.1 DTC Mode Register A (MRA)

MRA selects DTC operating mode. MRA cannot be accessed directly by the CPU.

Bit	7	6	5	4	3	2	1	0
Bit Name	MD1	MD0	Sz1	Sz0	SM1	SM0		
Initial Value	Undefined	Undefined	Undefined	Undefined	Undefined	Undefined	Undefined	Undefined
R/W								

Bit	Bit Name	Initial Value	R/W	Description
7	MD1	Undefined	—	DTC Mode 1 and 0
6	MD0	Undefined	—	Specify DTC transfer mode. 00: Normal mode 01: Repeat mode 10: Block transfer mode 11: Setting prohibited
5	Sz1	Undefined	—	DTC Data Transfer Size 1 and 0
4	Sz0	Undefined	—	Specify the size of data to be transferred. 00: Byte-size transfer 01: Word-size transfer 10: Longword-size transfer 11: Setting prohibited
3	SM1	Undefined	—	Source Address Mode 1 and 0
2	SM0	Undefined	—	Specify an SAR operation after a data transfer. 0x: SAR is fixed (SAR writeback is skipped) 10: SAR is incremented after a transfer (by 1 when Sz1 and Sz0 = B'00; by 2 when Sz1 and Sz0 = B'01; by 4 when Sz1 and Sz0 = B'10) 11: SAR is decremented after a transfer (by 1 when Sz1 and Sz0 = B'00; by 2 when Sz1 and Sz0 = B'01; by 4 when Sz1 and Sz0 = B'10)

Bit	Bit Name	Initial Value	R/W	Description
1, 0	—	Undefined	—	Reserved The write value should always be 0.

[Legend]

X: Don't care

### 8.2.2 DTC Mode Register B (MRB)

MRB selects DTC operating mode. MRB cannot be accessed directly by the CPU.

Bit	7	6	5	4	3	2	1	0
Bit Name	CHNE	CHNS	DISEL	DTS	DM1	DM0		
Initial Value	Undefined	Undefined	Undefined	Undefined	Undefined	Undefined	Undefined	Undefined
R/W								

Bit	Bit Name	Initial Value	R/W	Description
7	CHNE	Undefined	—	DTC Chain Transfer Enable Specifies the chain transfer. For details, see 8.5.7, Chain Transfer. The chain transfer condition is selected by the CHNS bit. 0: Disables the chain transfer 1: Enables the chain transfer
6	CHNS	Undefined	—	DTC Chain Transfer Select Specifies the chain transfer condition. If the following transfer is a chain transfer, the completion check of the specified transfer count is not performed and activation source flag or DTCER is not cleared. 0: Chain transfer every time 1: Chain transfer only when transfer counter = 0
5	DISEL	Undefined	—	DTC Interrupt Select When this bit is set to 1, a CPU interrupt request is generated every time after a data transfer ends. When this bit is set to 0, a CPU interrupt request is only generated when the specified number of data transfer ends.

Bit	Bit Name	Initial Value	R/W	Description
4	DTS	Undefined	—	DTC Transfer Mode Select Specifies either the source or destination as repeat or block area during repeat or block transfer mode. 0: Specifies the destination as repeat or block area 1: Specifies the source as repeat or block area
3	DM1	Undefined	—	Destination Address Mode 1 and 0
2	DM0	Undefined	—	Specify a DAR operation after a data transfer. 0X: DAR is fixed (DAR writeback is skipped) 10: DAR is incremented after a transfer (by 1 when Sz1 and Sz0 = B'00; by 2 when Sz1 and Sz0 = B'01; by 4 when Sz1 and Sz0 = B'10) 11: SAR is decremented after a transfer (by 1 when Sz1 and Sz0 = B'00; by 2 when Sz1 and Sz0 = B'01; by 4 when Sz1 and Sz0 = B'10)
1, 0	—	Undefined	—	Reserved The write value should always be 0.

[Legend]

X: Don't care



### 8.2.3 DTC Source Address Register (SAR)

SAR is a 32-bit register that designates the source address of data to be transferred by the DTC.

In full address mode, 32 bits of SAR are valid. In short address mode, the lower 24 bits of SAR are valid and bits 31 to 24 are ignored. At this time, the upper eight bits are filled with the value of bit 23.

If a word or longword access is performed while an odd address is specified in SAR or if a longword access is performed while address  $4n + 2$  is specified in SAR, the bus cycle is divided into multiple cycles to transfer data. For details, see section 8.5.1, Bus Cycle Division.

SAR cannot be accessed directly from the CPU.

### 8.2.4 DTC Destination Address Register (DAR)

DAR is a 32-bit register that designates the destination address of data to be transferred by the DTC.

In full address mode, 32 bits of DAR are valid. In short address mode, the lower 24 bits of DAR are valid and bits 31 to 24 are ignored. At this time, the upper eight bits are filled with the value of bit 23.

If a word or longword access is performed while an odd address is specified in DAR or if a longword access is performed while address  $4n + 2$  is specified in DAR, the bus cycle is divided into multiple cycles to transfer data. For details, see section 8.5.1, Bus Cycle Division.

DAR cannot be accessed directly from the CPU.

### 8.2.5 DTC Transfer Count Register A (CRA)

CRA is a 16-bit register that designates the number of times data is to be transferred by the DTC.

In normal transfer mode, CRA functions as a 16-bit transfer counter (1 to 65,536). It is decremented by 1 every time data is transferred, and bit DTCEn (n = 15 to 0) corresponding to the activation source is cleared and then an interrupt is requested to the CPU when the count reaches H'0000. The transfer count is 1 when CRA = H'0001, 65,535 when CRA = H'FFFF, and 65,536 when CRA = H'0000.

In repeat transfer mode, CRA is divided into two parts: the upper eight bits (CRAH) and the lower eight bits (CRAL). CRAH holds the number of transfers while CRAL functions as an 8-bit transfer counter (1 to 256). CRAL is decremented by 1 every time data is transferred, and the contents of CRAH are sent to CRAL when the count reaches H'00. The transfer count is 1 when CRAH = CRAL = H'01, 255 when CRAH = CRAL = H'FF, and 256 when CRAH = CRAL = H'00.

In block transfer mode, CRA is divided into two parts: the upper eight bits (CRAH) and the lower eight bits (CRAL). CRAH holds the block size while CRAL functions as an 8-bit block-size counter (1 to 256 for byte, word, or longword). CRAL is decremented by 1 every time a byte (word or longword) data is transferred, and the contents of CRAH are sent to CRAL when the count reaches H'00. The block size is 1 byte (word or longword) when CRAH = CRAL = H'01, 255 bytes (words or longwords) when CRAH = CRAL = H'FF, and 256 bytes (words or longwords) when CRAH = CRAL = H'00.

CRA cannot be accessed directly from the CPU.

### 8.2.6 DTC Transfer Count Register B (CRB)

CRB is a 16-bit register that designates the number of times data is to be transferred by the DTC in block transfer mode. It functions as a 16-bit transfer counter (1 to 65,536) that is decremented by 1 every time data is transferred, and bit DTCEn (n = 15 to 0) corresponding to the activation source is cleared and then an interrupt is requested to the CPU when the count reaches H'0000. The transfer count is 1 when CRB = H'0001, 65,535 when CRB = H'FFFF, and 65,536 when CRB = H'0000.

CRB is not available in normal and repeat modes and cannot be accessed directly by the CPU.

## 8.2.7 DTC Enable Registers A to H (DTCERA to DTCERH)

DTCER, which is comprised of eight registers, DTCERA to DTCERH, is a register that specifies DTC activation interrupt sources. The correspondence between interrupt sources and DTCE bits is shown in table 8.1. Use bit manipulation instructions such as BSET and BCLR to read or write a DTCE bit. If all interrupts are masked, multiple activation sources can be set at one time (only at the initial setting) by writing data after executing a dummy read on the relevant register.

Bit	15	14	13	12	11	10	9	8
Bit Name	DTCE15	DTCE14	DTCE13	DTCE12	DTCE11	DTCE10	DTCE9	DTCE8
Initial Value	0	0	0	0	0	0	0	0
R/W	R/W	R/W	R/W	R/W	R/W	R/W	R/W	R/W
Bit	7	6	5	4	3	2	1	0
Bit Name	DTCE7	DTCE6	DTCE5	DTCE4	DTCE3	DTCE2	DTCE1	DTCE0
Initial Value	0	0	0	0	0	0	0	0
R/W	R/W	R/W	R/W	R/W	R/W	R/W	R/W	R/W

Bit	Bit Name	Initial Value	R/W	Description
15	DTCE15	0	R/W	DTC Activation Enable 15 to 0
14	DTCE14	0	R/W	Setting this bit to 1 specifies a relevant interrupt source to a DTC activation source.
13	DTCE13	0	R/W	[Clearing conditions]
12	DTCE12	0	R/W	• When writing 0 to the bit to be cleared after reading 1
11	DTCE11	0	R/W	• When the DISEL bit is 1 and the data transfer has ended
10	DTCE10	0	R/W	• When the specified number of transfers have ended
9	DTCE9	0	R/W	These bits are not cleared when the DISEL bit is 0 and the specified number of transfers have not ended
8	DTCE8	0	R/W	
7	DTCE7	0	R/W	
6	DTCE6	0	R/W	
5	DTCE5	0	R/W	
4	DTCE4	0	R/W	
3	DTCE3	0	R/W	
2	DTCE2	0	R/W	
1	DTCE1	0	R/W	
0	DTCE0	0	R/W	

### 8.2.8 DTC Control Register (DTCCR)

DTCCR specifies transfer information read skip.

Bit	7	6	5	4	3	2	1	0
Bit Name				RRS	RCHNE			ERR
Initial Value	0	0	0	0	0	0	0	0
R/W	R/W	R/W	R/W	R/W	R/W	R	R	R/(W)*

Note: \* Only 0 can be written to clear the flag.

Bit	Bit Name	Initial Value	R/W	Description
7 to 5	—	All 0	R/W	Reserved These bits are always read as 0. The write value should always be 0.
4	RRS	0	R/W	DTC Transfer Information Read Skip Enable Controls the vector address read and transfer information read. A DTC vector number is always compared with the vector number for the previous activation. If the vector numbers match and this bit is set to 1, the DTC data transfer is started without reading a vector address and transfer information. If the previous DTC activation is a chain transfer, the vector address read and transfer information read are always performed. 0: Transfer read skip is not performed. 1: Transfer read skip is performed when the vector numbers match.
3	RCHNE	0	R/W	Chain Transfer Enable After DTC Repeat Transfer Enables/disables the chain transfer while transfer counter (CRAL) is 0 in repeat transfer mode. In repeat transfer mode, the CRAH value is written to CRAL when CRAL is 0. Accordingly, chain transfer may not occur when CRAL is 0. If this bit is set to 1, the chain transfer is enabled when CRAH is written to CRAL. 0: Disables the chain transfer after repeat transfer 1: Enables the chain transfer after repeat transfer

Bit	Bit Name	Initial Value	R/W	Description
2, 1	—	All 0	R	Reserved These are read-only bits and cannot be modified.
0	ERR	0	R/(W)*	Transfer Stop Flag Indicates that an address error or an NMI interrupt occurs. If an address error or an NMI interrupt occurs, the DTC stops. 0: No interrupt occurs 1: An interrupt occurs [Clearing condition] <ul style="list-style-type: none"> <li>When writing 0 after reading 1</li> </ul>

Note: \* Only 0 can be written to clear this flag.

### 8.2.9 DTC Vector Base Register (DTCVBR)

DTCVBR is a 32-bit register that specifies the base address for vector table address calculation. Bits 31 to 28 and bits 11 to 0 are fixed 0 and cannot be written to. The initial value of DTCVBR is H'00000000.

Bit	31	30	29	28	27	26	25	24	23	22	21	20	19	18	17	16
Bit Name																
Initial Value	0	0	0	0	0	0	0	0	0	0	0	0	0	0	0	0
R/W	R	R	R	R	R/W	R/W	R/W	R/W	R/W	R/W	R/W	R/W	R/W	R/W	R/W	R/W
Bit	15	14	13	12	11	10	9	8	7	6	5	4	3	2	1	0
Bit Name																
Initial Value	0	0	0	0	0	0	0	0	0	0	0	0	0	0	0	0
R/W	R/W	R/W	R/W	R/W	R	R	R	R	R	R	R	R	R	R	R	R

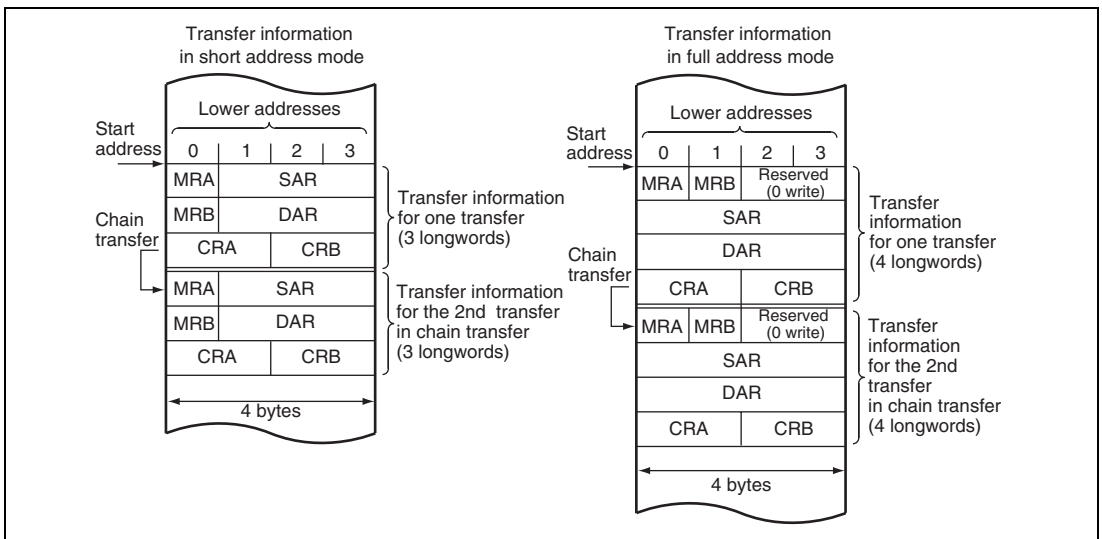
### 8.3 Activation Sources

The DTC is activated by an interrupt request. The interrupt source is selected by DTCER. A DTC activation source can be selected by setting the corresponding bit in DTCER; the CPU interrupt source can be selected by clearing the corresponding bit in DTCER. At the end of a data transfer (or the last consecutive transfer in the case of chain transfer), the activation source interrupt flag or corresponding DTCER bit is cleared.

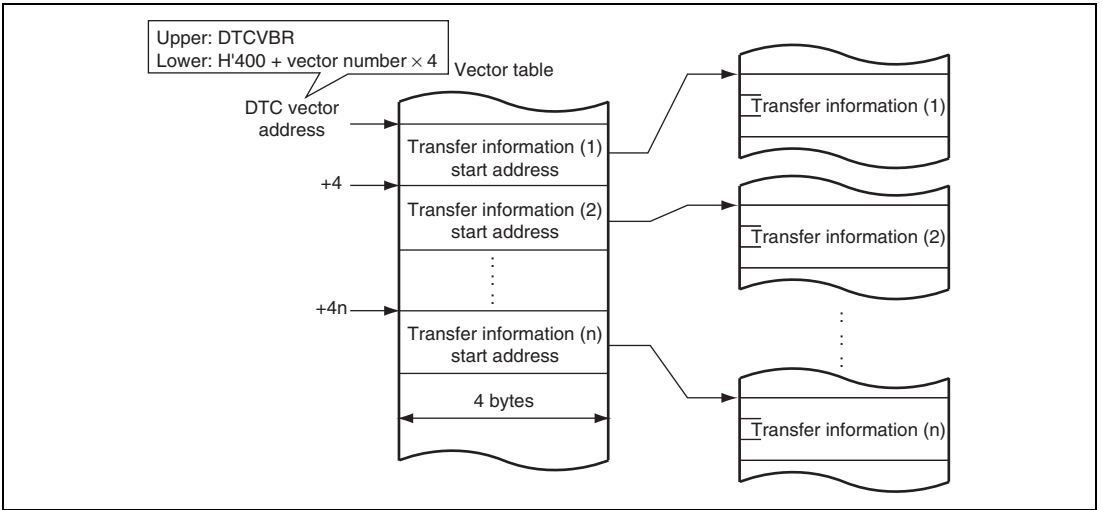
### 8.4 Location of Transfer Information and DTC Vector Table

Locate the transfer information in the data area. The start address of transfer information should be located at the address that is a multiple of four (4n). Otherwise, the lower two bits are ignored during access ([1:0] = B'00.) Transfer information can be located in either short address mode (three longwords) or full address mode (four longwords). The DTCMD bit in SYSCR specifies either short address mode (DTCMD = 1) or full address mode (DTCMD = 0). For details, see section 3.2.2, System Control Register (SYSCR). Transfer information located in the data area is shown in figure 8.2.

The DTC reads the start address of transfer information from the vector table according to the activation source, and then reads the transfer information from the start address. Figure 8.3 shows correspondences between the DTC vector address and transfer information.



**Figure 8.2 Transfer Information on Data Area**



**Figure 8.3 Correspondence between DTC Vector Address and Transfer Information**





Origin of Activation Source	Activation Source	Vector Number	DTC Vector Address Offset	DTCE*	Priority
TMR_0	CMIA0	116	H'5D0	DTCEC13	High
	CMIB0	117	H'5D4	DTCEC12	
TMR_1	CMIA1	119	H'5DC	DTCEC11	
	CMIB1	120	H'5E0	DTCEC10	
TMR_2	CMIA2	122	H'5E8	DTCEC9	
	CMIB2	123	H'5EC	DTCEC8	
TMR_3	CMIA3	125	H'5F4	DTCEC7	
	CMIB3	126	H'5F8	DTCEC6	
DMAC	DMTEND0	128	H'600	DTCEC5	
	DMTEND1	129	H'604	DTCEC4	
	DMTEND2	130	H'608	DTCEC3	
	DMTEND3	131	H'60C	DTCEC2	
DMAC	DMEEND0	136	H'620	DTCED13	
	DMEEND1	137	H'624	DTCED12	
	DMEEND2	138	H'628	DTCED11	
	DMEEND3	139	H'62C	DTCED10	
SCI_0	RX10	145	H'644	DTCED5	
	TX10	146	H'648	DTCED4	
SCI_1	RX11	149	H'654	DTCED3	
	TX11	150	H'658	DTCED2	
SCI_2	RX12	153	H'664	DTCED1	
	TX12	154	H'668	DTCED0	
SCI_3	RX13	157	H'674	DTCEE15	
	TX13	158	H'678	DTCEE14	
SCI_4	RX14	161	H'684	DTCEE13	
	TX14	162	H'688	DTCEE12	Low

Note: \* The DTCE bits with no corresponding interrupt are reserved, and the write value should always be 0. To leave software standby mode or all-module-clock-stop mode with an interrupt, write 0 to the corresponding DTCE bit.

## 8.5 Operation

The DTC stores transfer information in the data area. When activated, the DTC reads transfer information that is stored in the data area and transfers data on the basis of that transfer information. After the data transfer, it writes updated transfer information back to the data area. Since transfer information is in the data area, it is possible to transfer data over any required number of channels. There are three transfer modes: normal, repeat, and block.

The DTC specifies the source address and destination address in SAR and DAR, respectively. After a transfer, SAR and DAR are incremented, decremented, or fixed independently.

Table 8.2 shows the DTC transfer modes.

**Table 8.2 DTC Transfer Modes**

<b>Transfer Mode</b>	<b>Size of Data Transferred at One Transfer Request</b>	<b>Memory Address Increment or Decrement</b>	<b>Transfer Count</b>
Normal	1 byte/word/longword	Incremented/decremented by 1, 2, or 4, or fixed	1 to 65536
Repeat* <sup>1</sup>	1 byte/word/longword	Incremented/decremented by 1, 2, or 4, or fixed	1 to 256* <sup>3</sup>
Block* <sup>2</sup>	Block size specified by CRAH (1 to 256 bytes/words/longwords)	Incremented/decremented by 1, 2, or 4, or fixed	1 to 65536

Notes: 1. Either source or destination is specified to repeat area.  
 2. Either source or destination is specified to block area.  
 3. After transfer of the specified transfer count, initial state is recovered to continue the operation.

Setting the CHNE bit in MRB to 1 makes it possible to perform a number of transfers with a single activation (chain transfer). Setting the CHNS bit in MRB to 1 can also be made to have chain transfer performed only when the transfer counter value is 0.

Figure 8.4 shows a flowchart of DTC operation, and table 8.3 summarizes the chain transfer conditions (combinations for performing the second and third transfers are omitted).

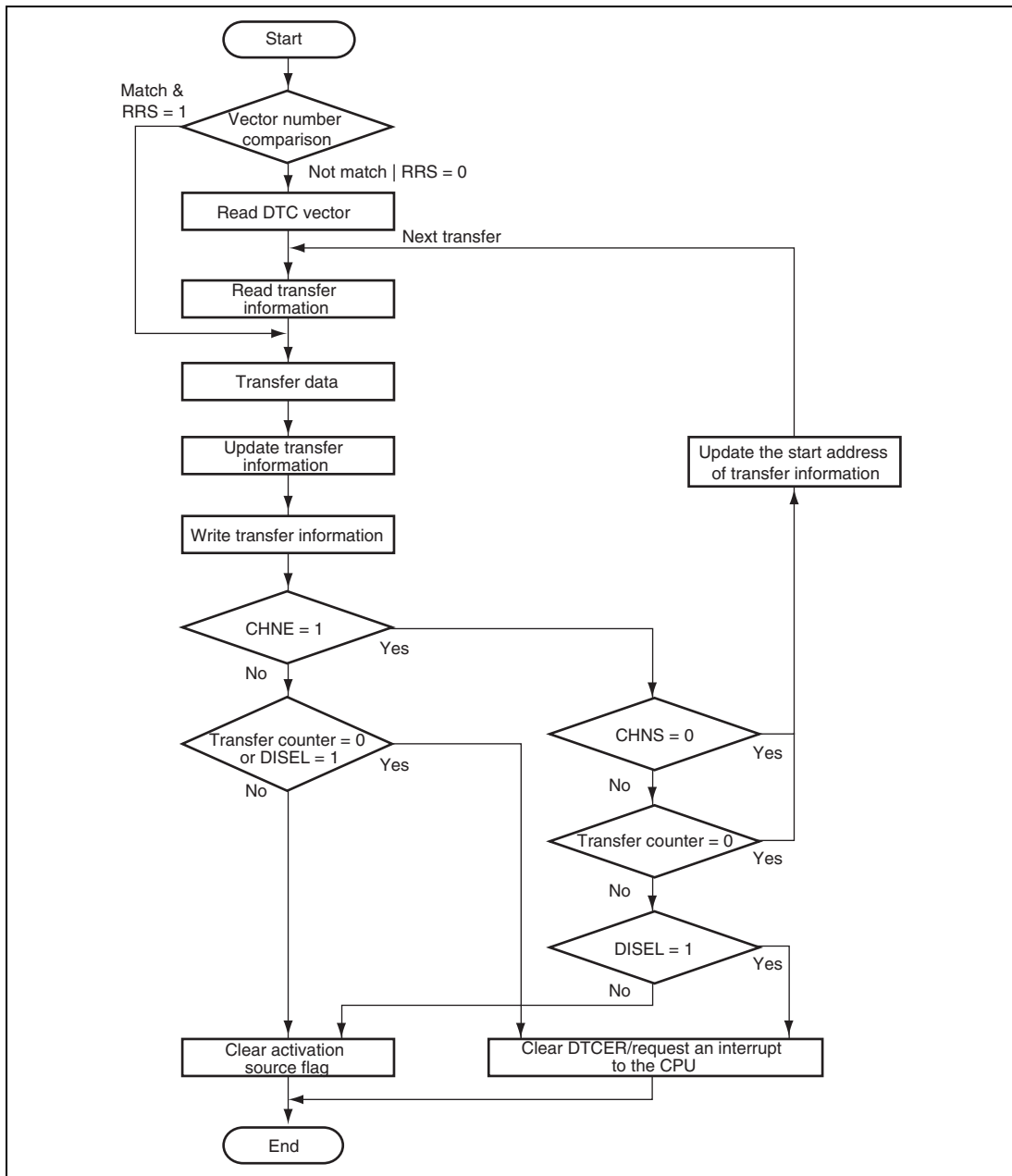


Figure 8.4 Flowchart of DTC Operation

**Table 8.3 Chain Transfer Conditions**

1st Transfer				2nd Transfer				DTC Transfer
CHNE	CHNS	DISEL	Transfer Counter* <sup>1</sup>	CHNE	CHNS	DISEL	Transfer Counter* <sup>1</sup>	
0	—	0	Not 0	—	—	—	—	Ends at 1st transfer
0	—	0	0* <sup>2</sup>	—	—	—	—	Ends at 1st transfer
0	—	1	—	—	—	—	—	Interrupt request to CPU
1	0	—	—	0	—	0	Not 0	Ends at 2nd transfer
				0	—	0	0* <sup>2</sup>	Ends at 2nd transfer
				0	—	1	—	Interrupt request to CPU
1	1	0	Not 0	—	—	—	—	Ends at 1st transfer
1	1	—	0* <sup>2</sup>	0	—	0	Not 0	Ends at 2nd transfer
				0	—	0	0* <sup>2</sup>	Ends at 2nd transfer
				0	—	1	—	Interrupt request to CPU
1	1	1	Not 0	—	—	—	—	Ends at 1st transfer
								Interrupt request to CPU

Notes: 1. CRA in normal mode transfer, CRAL in repeat transfer mode, or CRB in block transfer mode

2. When the contents of the CRAH is written to the CRAL in repeat transfer mode

### 8.5.1 Bus Cycle Division

When the transfer data size is word and the SAR and DAR values are not a multiple of 2, the bus cycle is divided and the transfer data is read from or written to in bytes. Similarly, when the transfer data size is longword and the SAR and DAR values are not a multiple of 4, the bus cycle is divided and the transfer data is read from or written to in words.

Table 8.4 shows the relationship among, SAR, DAR, transfer data size, bus cycle divisions, and access data size. Figure 8.5 shows the bus cycle division example.

**Table 8.4 Number of Bus Cycle Divisions and Access Size**

SAR and DAR Values	Specified Data Size		
	Byte (B)	Word (W)	Longword (LW)
Address 4n	1 (B)	1 (W)	1 (LW)
Address 2n + 1	1 (B)	2 (B-B)	3 (B-W-B)
Address 4n + 2	1 (B)	1 (W)	2 (W-W)

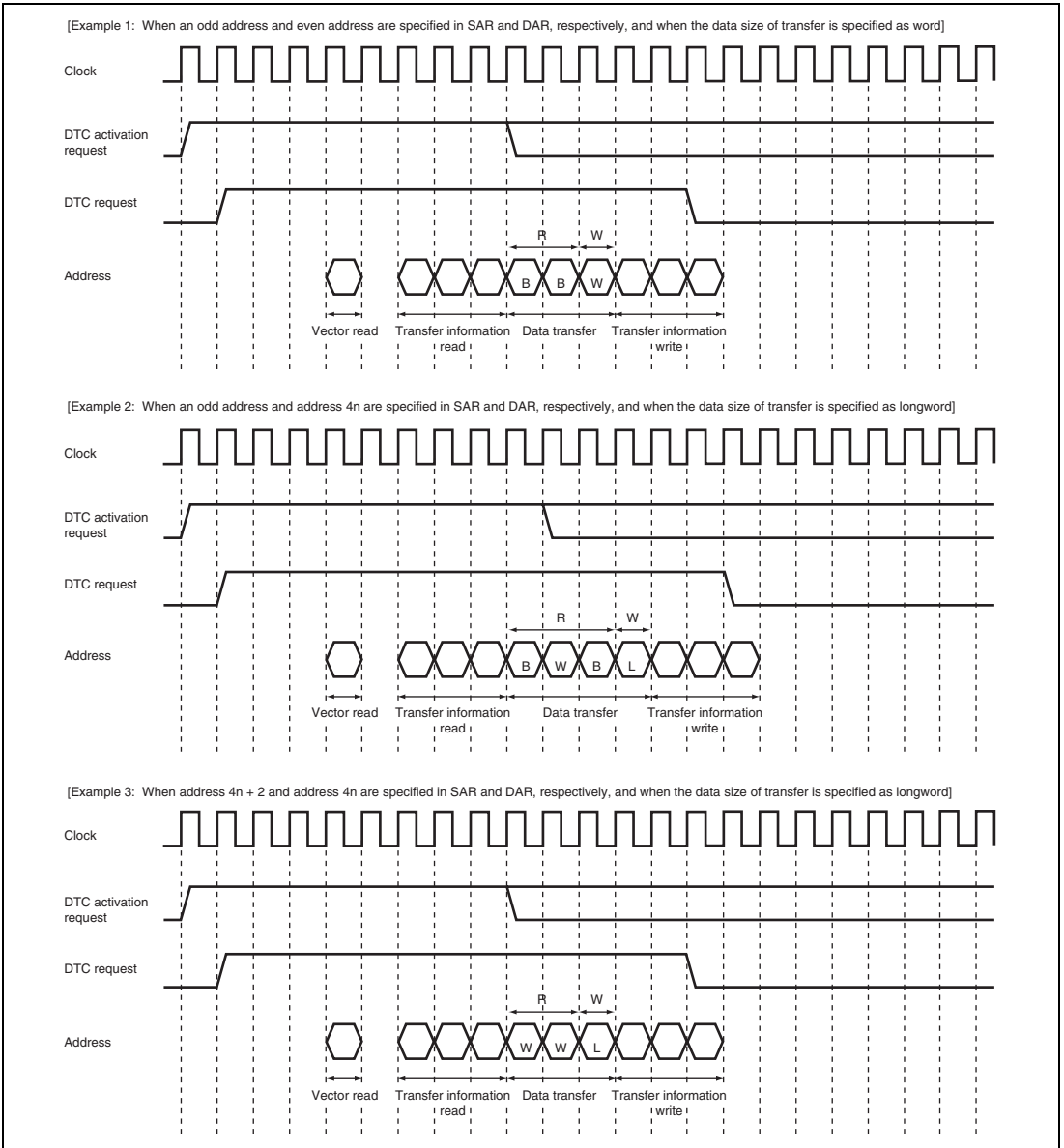
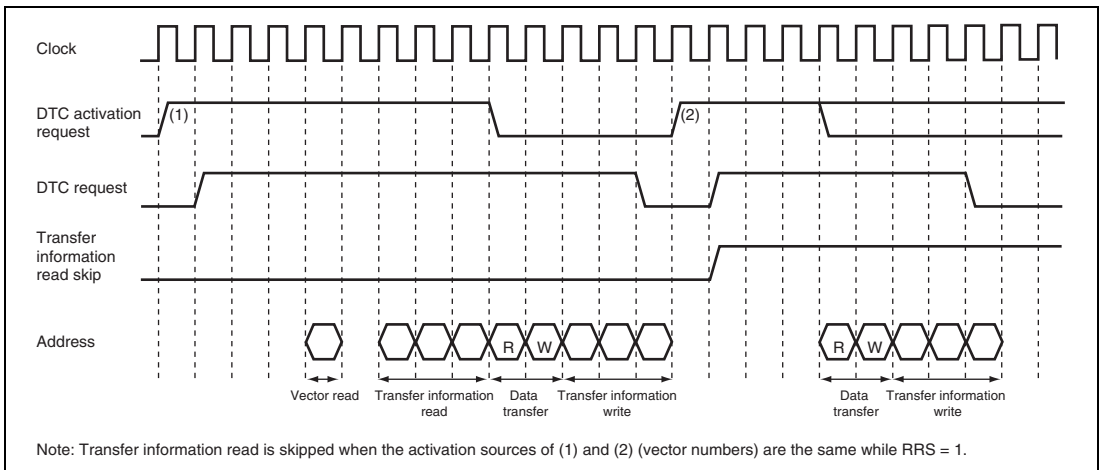


Figure 8.5 Bus Cycle Division Example

## 8.5.2 Transfer Information Read Skip Function

By setting the RRS bit of DTCCR, the vector address read and transfer information read can be skipped. The current DTC vector number is always compared with the vector number of previous activation. If the vector numbers match when  $RRS = 1$ , a DTC data transfer is performed without reading the vector address and transfer information. If the previous activation is a chain transfer, the vector address read and transfer information read are always performed. Figure 8.6 shows the transfer information read skip timing.

To modify the vector table and transfer information, temporarily clear the RRS bit to 0, modify the vector table and transfer information, and then set the RRS bit to 1 again. When the RRS bit is cleared to 0, the stored vector number is deleted, and the updated vector table and transfer information are read at the next activation.



**Figure 8.6 Transfer Information Read Skip Timing**

### 8.5.3 Transfer Information Writeback Skip Function

By specifying bit SM1 in MRA and bit DM1 in MRB to the fixed address mode, a part of transfer information will not be written back. This function is performed regardless of short or full address mode. Table 8.5 shows the transfer information writeback skip condition and writeback skipped registers. Note that the CRA and CRB are always written back regardless of the short or full address mode. In addition in full address mode, the writeback of the MRA and MRB are always skipped.

**Table 8.5 Transfer Information Writeback Skip Condition and Writeback Skipped Registers**

SM1	DM1	SAR	DAR
0	0	Skipped	Skipped
0	1	Skipped	Written back
1	0	Written back	Skipped
1	1	Written back	Written back

### 8.5.4 Normal Transfer Mode

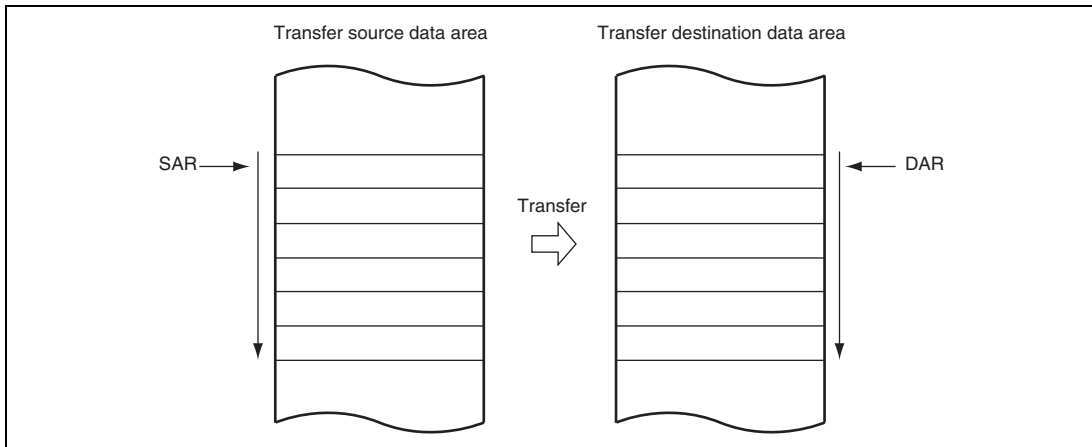
In normal transfer mode, one operation transfers one byte, one word, or one longword of data. From 1 to 65,536 transfers can be specified. The transfer source and destination addresses can be specified as incremented, decremented, or fixed. When the specified number of transfers ends, an interrupt can be requested to the CPU.

Table 8.6 lists the register function in normal transfer mode. Figure 8.7 shows the memory map in normal transfer mode.

**Table 8.6 Register Function in Normal Transfer Mode**

Register	Function	Written Back Value
SAR	Source address	Incremented/decremented/fixed*
DAR	Destination address	Incremented/decremented/fixed*
CRA	Transfer count A	CRA – 1
CRB	Transfer count B	Not updated

Note: \* Transfer information writeback is skipped.



**Figure 8.7 Memory Map in Normal Transfer Mode**

### 8.5.5 Repeat Transfer Mode

In repeat transfer mode, one operation transfers one byte, one word, or one longword of data. By the DTS bit in MRB, either the source or destination can be specified as a repeat area. From 1 to 256 transfers can be specified. When the specified number of transfers ends, the transfer counter and address register specified as the repeat area is restored to the initial state, and transfer is repeated. The other address register is then incremented, decremented, or left fixed. In repeat transfer mode, the transfer counter (CRAL) is updated to the value specified in CRAH when CRAL becomes H'00. Thus the transfer counter value does not reach H'00, and therefore a CPU interrupt cannot be requested when DISEL = 0.

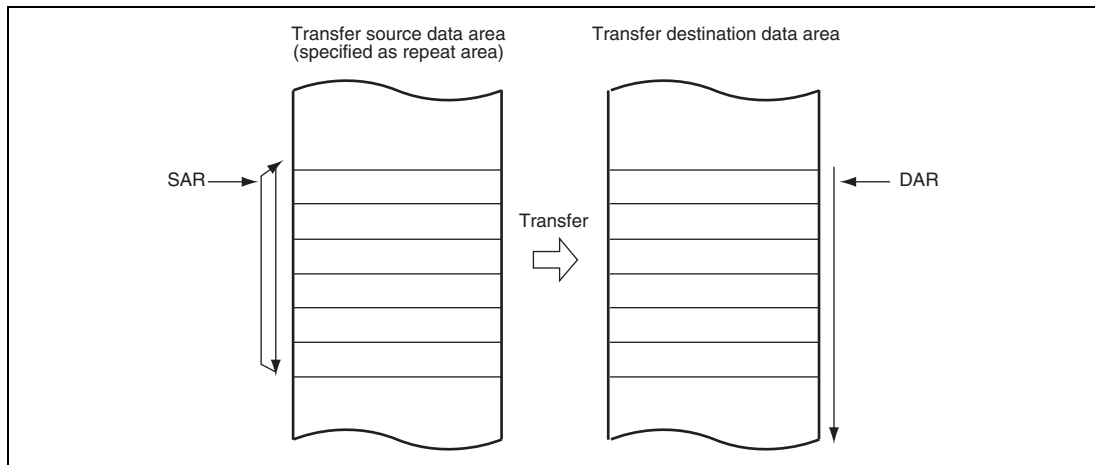
Table 8.7 lists the register function in repeat transfer mode. Figure 8.8 shows the memory map in repeat transfer mode.



**Table 8.7 Register Function in Repeat Transfer Mode**

Register	Function	Written Back Value	
		CRAL is not 1	CRAL is 1
SAR	Source address	Incremented/decremented/fixed*	DTS = 0: Incremented/ decremented/fixed*  DTS = 1: SAR initial value
DAR	Destination address	Incremented/decremented/fixed*	DTS = 0: DAR initial value  DTS = 1: Incremented/ decremented/fixed*
CRAH	Transfer count storage	CRAH	CRAH
CRAL	Transfer count A	CRAL - 1	CRAH
CRB	Transfer count B	Not updated	Not updated

Note: \* Transfer information writeback is skipped.



**Figure 8.8 Memory Map in Repeat Transfer Mode  
(When Transfer Source is Specified as Repeat Area)**

### 8.5.6 Block Transfer Mode

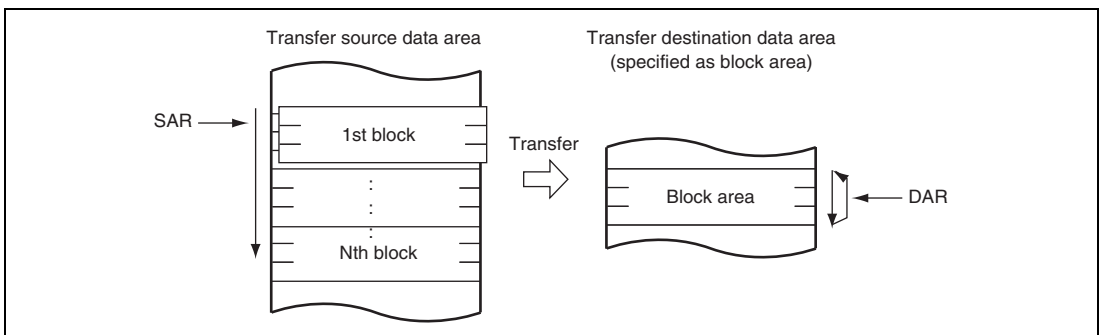
In block transfer mode, one operation transfers one block of data. Either the transfer source or the transfer destination is designated as a block area by the DTS bit in MRB. The block size is 1 to 256 bytes (1 to 256 words, or 1 to 256 longwords). When the transfer of one block ends, the block size counter (CRAL) and address register (SAR when DTS = 1 or DAR when DTS = 0) specified as the block area is restored to the initial state. The other address register is then incremented, decremented, or left fixed. From 1 to 65,536 transfers can be specified. When the specified number of transfers ends, an interrupt is requested to the CPU.

Table 8.8 lists the register function in block transfer mode. Figure 8.9 shows the memory map in block transfer mode.

**Table 8.8 Register Function in Block Transfer Mode**

Register	Function	Written Back Value
SAR	Source address	DTS = 0: Incremented/decremented/fixed* DTS = 1: SAR initial value
DAR	Destination address	DTS = 0: DAR initial value DTS = 1: Incremented/decremented/fixed*
CRAH	Block size storage	CRAH
CRAL	Block size counter	CRAH
CRB	Block transfer counter	CRB - 1

Note: \* Transfer information writeback is skipped.



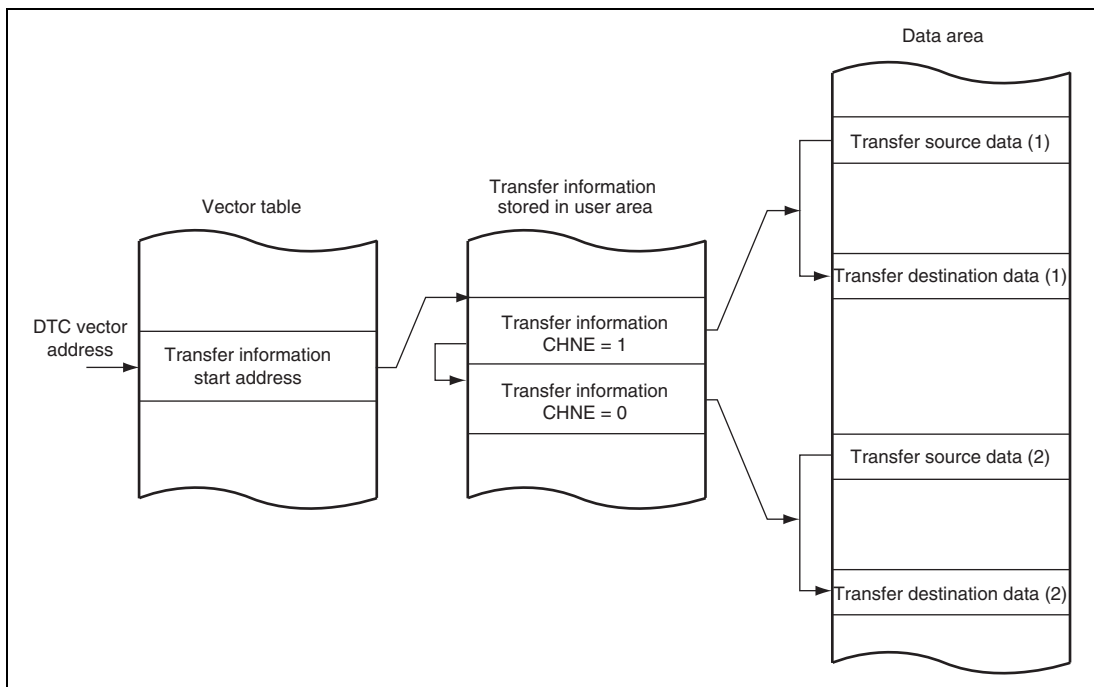
**Figure 8.9 Memory Map in Block Transfer Mode  
(When Transfer Destination is Specified as Block Area)**

### 8.5.7 Chain Transfer

Setting the CHNE bit in MRB to 1 enables a number of data transfers to be performed consecutively in response to a single transfer request. Setting the CHNE and CHNS bits in MRB set to 1 enables a chain transfer only when the transfer counter reaches 0. SAR, DAR, CRA, CRB, MRA, and MRB, which define data transfers, can be set independently. Figure 8.10 shows the chain transfer operation.

In the case of transfer with CHNE set to 1, an interrupt request to the CPU is not generated at the end of the specified number of transfers or by setting the DISEL bit to 1, and the interrupt source flag for the activation source and DTCER are not affected.

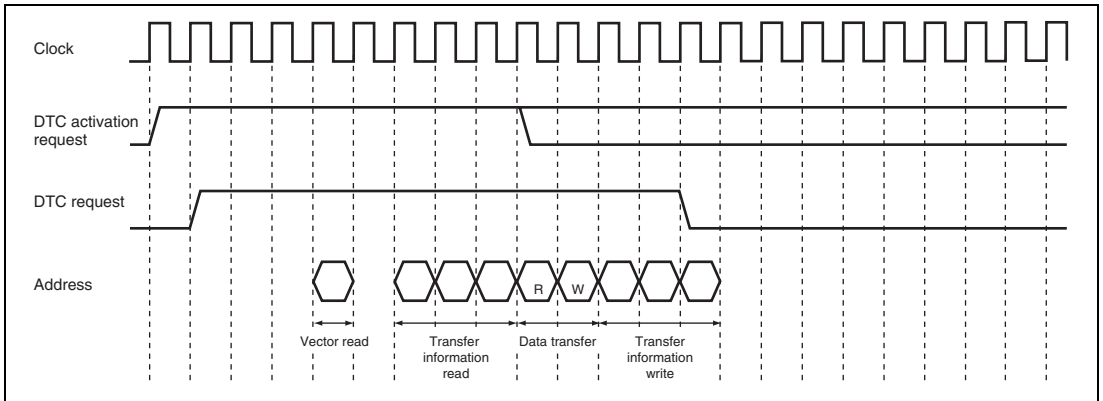
In repeat transfer mode, setting the RCHNE bit in DTCCR and the CHNE and CHNS bits in MRB to 1 enables a chain transfer after transfer with transfer counter = 1 has been completed.



**Figure 8.10 Operation of Chain Transfer**

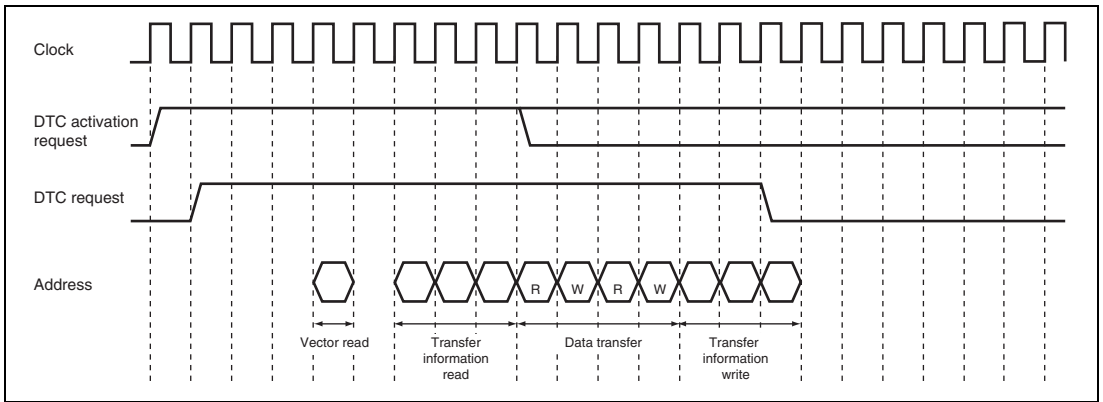
### 8.5.8 Operation Timing

Figures 8.11 to 8.14 show the DTC operation timings.



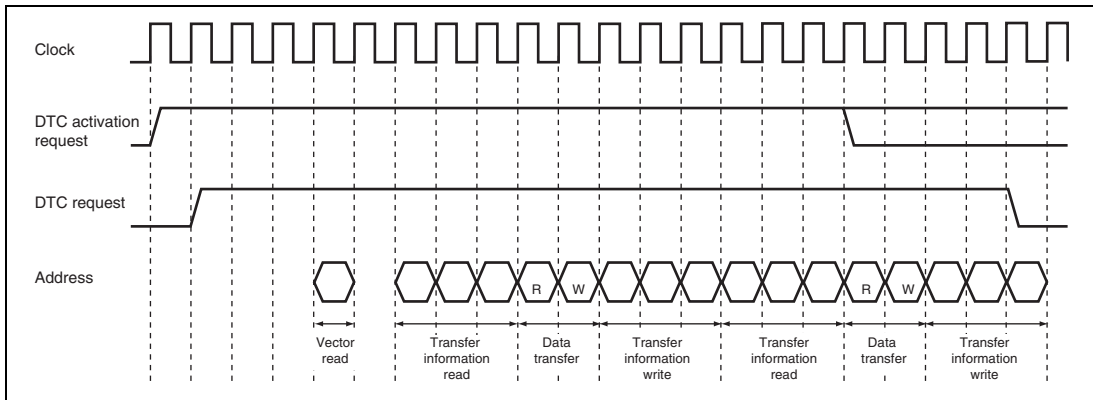
**Figure 8.11 DTC Operation Timing**

**(Example of Short Address Mode in Normal Transfer Mode or Repeat Transfer Mode)**

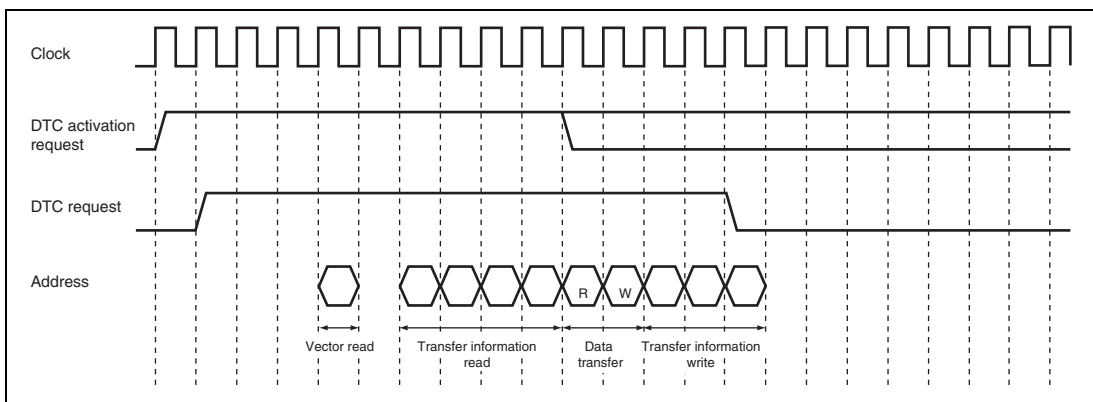


**Figure 8.12 DTC Operation Timing**

**(Example of Short Address Mode in Block Transfer Mode with Block Size of 2)**



**Figure 8.13 DTC Operation Timing (Example of Short Address Mode in Chain Transfer)**



**Figure 8.14 DTC Operation Timing (Example of Full Address Mode in Normal Transfer Mode or Repeat Transfer Mode)**

### 8.5.9 Number of DTC Execution Cycles

Table 8.9 shows the execution status for a single DTC data transfer, and table 8.10 shows the number of cycles required for each execution.

**Table 8.9 DTC Execution Status**

Mode	Vector Read		Transfer Information Read			Transfer Information Write			Data Read		Data Write			Internal Operation		
	I	0* <sup>1</sup>	4* <sup>2</sup>	3* <sup>3</sup>	0* <sup>1</sup>	3* <sup>2,3</sup>	2* <sup>4</sup>	1* <sup>5</sup>	3* <sup>6</sup>	2* <sup>7</sup>	1	3* <sup>6</sup>	2* <sup>7</sup>	1	1	0* <sup>1</sup>
Normal	1	0* <sup>1</sup>	4* <sup>2</sup>	3* <sup>3</sup>	0* <sup>1</sup>	3* <sup>2,3</sup>	2* <sup>4</sup>	1* <sup>5</sup>	3* <sup>6</sup>	2* <sup>7</sup>	1	3* <sup>6</sup>	2* <sup>7</sup>	1	1	0* <sup>1</sup>
Repeat	1	0* <sup>1</sup>	4* <sup>2</sup>	3* <sup>3</sup>	0* <sup>1</sup>	3* <sup>2,3</sup>	2* <sup>4</sup>	1* <sup>5</sup>	3* <sup>6</sup>	2* <sup>7</sup>	1	3* <sup>6</sup>	2* <sup>7</sup>	1	1	0* <sup>1</sup>
Block transfer	1	0* <sup>1</sup>	4* <sup>2</sup>	3* <sup>3</sup>	0* <sup>1</sup>	3* <sup>2,3</sup>	2* <sup>4</sup>	1* <sup>5</sup>	3* <sup>6</sup> * <sup>6</sup>	2* <sup>7</sup> * <sup>6</sup>	1* <sup>6</sup>	3* <sup>6</sup> * <sup>6</sup>	2* <sup>7</sup> * <sup>6</sup>	1* <sup>6</sup>	1	0* <sup>1</sup>

[Legend]

P: Block size (CRAH and CRAL value)

- Notes:
1. When transfer information read is skipped
  2. In full address mode operation
  3. In short address mode operation
  4. When the SAR or DAR is in fixed mode
  5. When the SAR and DAR are in fixed mode
  6. When a longword is transferred while an odd address is specified in the address register
  7. When a word is transferred while an odd address is specified in the address register or when a longword is transferred while address  $4n + 2$  is specified

**Table 8.10 Number of Cycles Required for Each Execution State**

Object to be Accessed	On-Chip		On-Chip I/O			External Devices				
	RAM	ROM	Registers							
Bus width	32	32	8	16	32	8		16		
Access cycles	1	1	2	2	2	2	3	2	3	
Execution status	Vector read $S_i$	1	1	—	—	—	8	12 + 4m	4	6 + 2m
	Transfer information read $S_j$	1	1	—	—	—	8	12 + 4m	4	6 + 2m
	Transfer information write $S_k$	1	1	—	—	—	8	12 + 4m	4	6 + 2m
	Byte data read $S_L$	1	1	2	2	2	2	3 + m	2	3 + m
	Word data read $S_L$	1	1	4	2	2	4	4 + 2m	2	3 + m
	Longword data read $S_L$	1	1	8	4	2	8	12 + 4m	4	6 + 2m
	Byte data write $S_M$	1	1	2	2	2	2	3 + m	2	3 + m
	Word data write $S_M$	1	1	4	2	2	4	4 + 2m	2	3 + m
	Longword data write $S_M$	1	1	8	4	2	8	12 + 4m	4	6 + 2m
Internal operation $S_N$							1			

[Legend]

m: Number of wait cycles 0 to 7 (For details, see section 6, Bus Controller (BSC).)

The number of execution cycles is calculated from the formula below. Note that  $\Sigma$  means the sum of all transfers activated by one activation event (the number in which the CHNE bit is set to 1, plus 1).

$$\text{Number of execution cycles} = I \cdot S_i + \Sigma (J \cdot S_j + K \cdot S_k + L \cdot S_L + M \cdot S_M) + N \cdot S_N$$

### 8.5.10 DTC Bus Release Timing

The DTC requests the bus mastership to the bus arbiter when an activation request occurs. The DTC releases the bus after a vector read, transfer information read, a single data transfer, or transfer information writeback. The DTC does not release the bus during transfer information read, single data transfer, or transfer information writeback.

### 8.5.11 DTC Priority Level Control to the CPU

The priority of the DTC activation sources over the CPU can be controlled by the CPU priority level specified by bits CPUP2 to CPUP0 in CPUPCR and the DTC priority level specified by bits DTCP2 to DTCP0. For details, see section 5, Interrupt Controller.

## 8.6 DTC Activation by Interrupt

The procedure for using the DTC with interrupt activation is shown in figure 8.15.

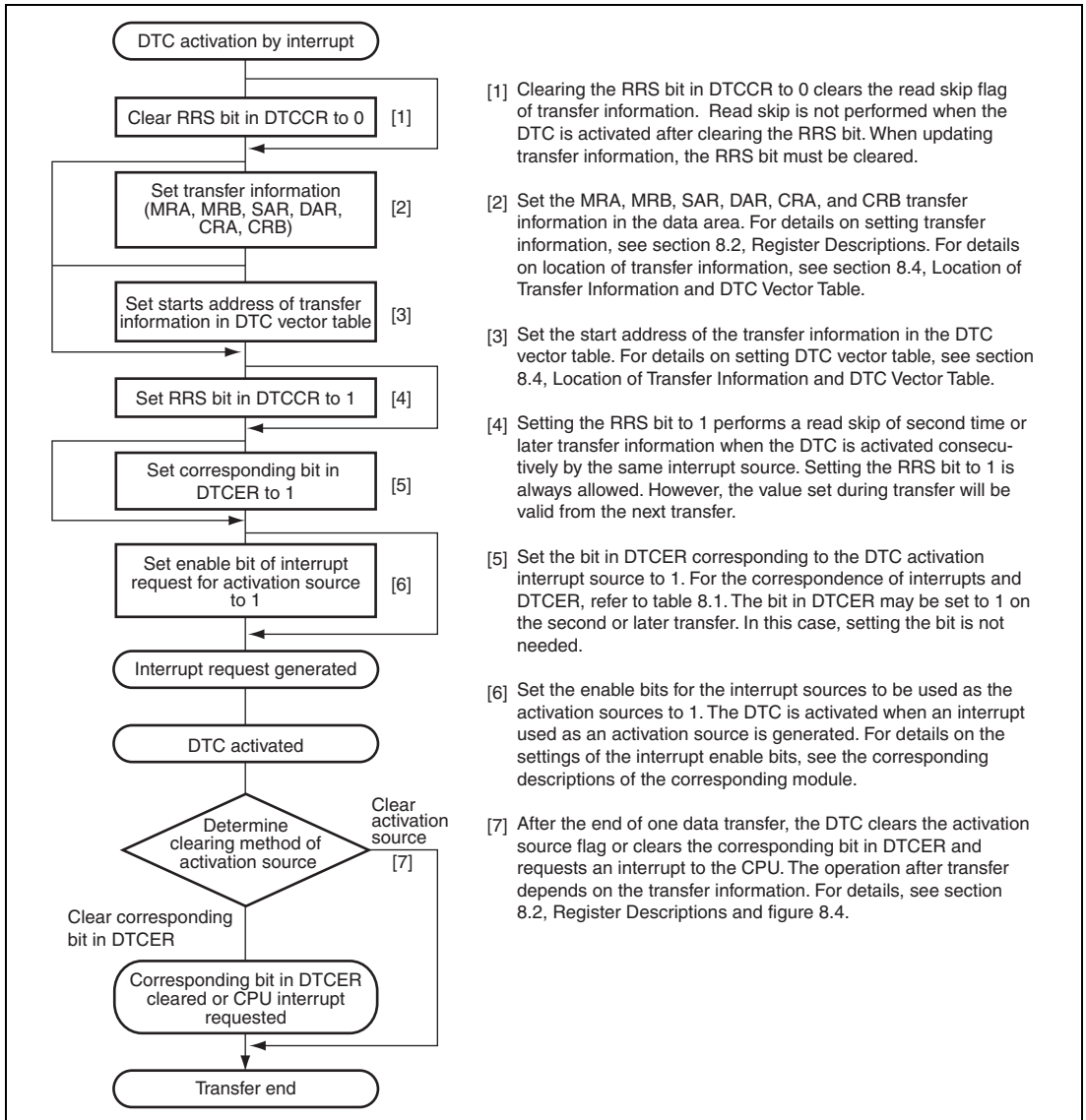


Figure 8.15 DTC with Interrupt Activation



## 8.7 Examples of Use of the DTC

### 8.7.1 Normal Transfer Mode

An example is shown in which the DTC is used to receive 128 bytes of data via the SCI.

1. Set MRA to fixed source address ( $SM1 = SM0 = 0$ ), incrementing destination address ( $DM1 = 1, DM0 = 0$ ), normal transfer mode ( $MD1 = MD0 = 0$ ), and byte size ( $Sz1 = Sz0 = 0$ ). The DTS bit can have any value. Set MRB for one data transfer by one interrupt ( $CHNE = 0, DISEL = 0$ ). Set the RDR address of the SCI in SAR, the start address of the RAM area where the data will be received in DAR, and 128 (H'0080) in CRA. CRB can be set to any value.
2. Set the start address of the transfer information for an RXI interrupt at the DTC vector address.
3. Set the corresponding bit in DTCER to 1.
4. Set the SCI to the appropriate receive mode. Set the RIE bit in SCR to 1 to enable the receive end (RXI) interrupt. Since the generation of a receive error during the SCI reception operation will disable subsequent reception, the CPU should be enabled to accept receive error interrupts.
5. Each time reception of one byte of data ends on the SCI, the RDRF flag in SSR is set to 1, an RXI interrupt is generated, and the DTC is activated. The receive data is transferred from RDR to RAM by the DTC. DAR is incremented and CRA is decremented. The RDRF flag is automatically cleared to 0.
6. When CRA becomes 0 after the 128 data transfers have ended, the RDRF flag is held at 1, the DTCE bit is cleared to 0, and an RXI interrupt request is sent to the CPU. Termination processing should be performed in the interrupt handling routine.

### 8.7.2 Chain Transfer

An example of DTC chain transfer is shown in which pulse output is performed using the PPG. Chain transfer can be used to perform pulse output data transfer and PPG output trigger cycle updating. Repeat mode transfer to the PPG's NDR is performed in the first half of the chain transfer, and normal mode transfer to the TPU's TGR in the second half. This is because clearing of the activation source and interrupt generation at the end of the specified number of transfers are restricted to the second half of the chain transfer (transfer when CHNE = 0).

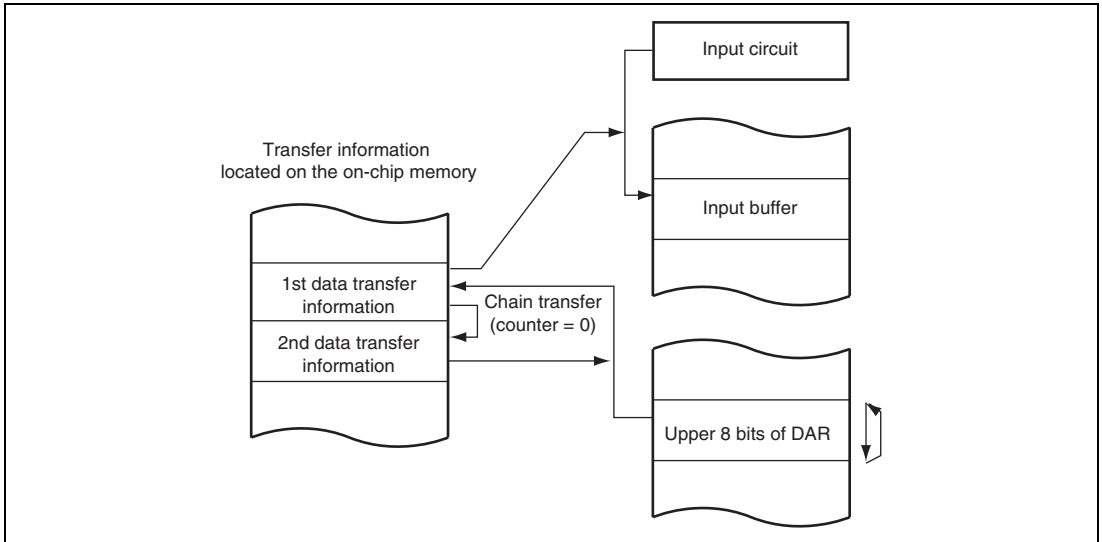
1. Perform settings for transfer to the PPG's NDR. Set MRA to source address incrementing (SM1 = 1, SM0 = 0), fixed destination address (DM1 = DM0 = 0), repeat mode (MD1 = 0, MD0 = 1), and word size (Sz1 = 0, Sz0 = 1). Set the source side as a repeat area (DTS = 1). Set MRB to chain transfer mode (CHNE = 1, CHNS = 0, DISEL = 0). Set the data table start address in SAR, the NDRH address in DAR, and the data table size in CRAH and CRAL. CRB can be set to any value.
2. Perform settings for transfer to the TPU's TGR. Set MRA to source address incrementing (SM1 = 1, SM0 = 0), fixed destination address (DM1 = DM0 = 0), normal mode (MD1 = MD0 = 0), and word size (Sz1 = 0, Sz0 = 1). Set the data table start address in SAR, the TGRA address in DAR, and the data table size in CRA. CRB can be set to any value.
3. Locate the TPU transfer information consecutively after the NDR transfer information.
4. Set the start address of the NDR transfer information to the DTC vector address.
5. Set the bit corresponding to the TGIA interrupt in DTCER to 1.
6. Set TGRA as an output compare register (output disabled) with TIOR, and enable the TGIA interrupt with TIER.
7. Set the initial output value in PODR, and the next output value in NDR. Set bits in DDR and NDER for which output is to be performed to 1. Using PCR, select the TPU compare match to be used as the output trigger.
8. Set the CST bit in TSTR to 1, and start the TCNT count operation.
9. Each time a TGRA compare match occurs, the next output value is transferred to NDR and the set value of the next output trigger period is transferred to TGRA. The activation source TGFA flag is cleared.
10. When the specified number of transfers are completed (the TPU transfer CRA value is 0), the TGFA flag is held at 1, the DTCE bit is cleared to 0, and a TGIA interrupt request is sent to the CPU. Termination processing should be performed in the interrupt handling routine.

### 8.7.3 Chain Transfer when Counter = 0

By executing a second data transfer and performing re-setting of the first data transfer only when the counter value is 0, it is possible to perform 256 or more repeat transfers.

An example is shown in which a 128-kbyte input buffer is configured. The input buffer is assumed to have been set to start at lower address H'0000. Figure 8.16 shows the chain transfer when the counter value is 0.

1. For the first transfer, set the normal transfer mode for input data. Set the fixed transfer source address, CRA = H'0000 (65,536 times), CHNE = 1, CHNS = 1, and DISEL = 0.
2. Prepare the upper 8-bit addresses of the start addresses for 65,536-transfer units for the first data transfer in a separate area (in ROM, etc.). For example, if the input buffer is configured at addresses H'200000 to H'21FFFF, prepare H'21 and H'20.
3. For the second transfer, set repeat transfer mode (with the source side as the repeat area) for re-setting the transfer destination address for the first data transfer. Use the upper eight bits of DAR in the first transfer information area as the transfer destination. Set CHNE = DISEL = 0. If the above input buffer is specified as H'200000 to H'21FFFF, set the transfer counter to 2.
4. Execute the first data transfer 65536 times by means of interrupts. When the transfer counter for the first data transfer reaches 0, the second data transfer is started. Set the upper eight bits of the transfer source address for the first data transfer to H'21. The lower 16 bits of the transfer destination address of the first data transfer and the transfer counter are H'0000.
5. Next, execute the first data transfer the 65536 times specified for the first data transfer by means of interrupts. When the transfer counter for the first data transfer reaches 0, the second data transfer is started. Set the upper eight bits of the transfer source address for the first data transfer to H'20. The lower 16 bits of the transfer destination address of the first data transfer and the transfer counter are H'0000.
6. Steps 4 and 5 are repeated endlessly. As repeat mode is specified for the second data transfer, no interrupt request is sent to the CPU.



**Figure 8.16 Chain Transfer when Counter = 0**

## 8.8 Interrupt Sources

An interrupt request is issued to the CPU when the DTC finishes the specified number of data transfers or a data transfer for which the DISEL bit was set to 1. In the case of interrupt activation, the interrupt set as the activation source is generated. These interrupts to the CPU are subject to CPU mask level and priority level control in the interrupt controller.

## 8.9 Usage Notes

### 8.9.1 Module Stop Mode Setting

Operation of the DTC can be disabled or enabled using the module stop control register. The initial setting is for operation of the DTC to be enabled. Register access is disabled by setting module stop mode. Module stop mode cannot be set while the DTC is activated. For details, see section 19, Power-Down Modes.

### 8.9.2 On-Chip RAM

Transfer information can be located in on-chip RAM. In this case, the RAME bit in SYSCR must not be cleared to 0.

### 8.9.3 DMAC Transfer End Interrupt

When the DTC is activated by a DMAC transfer end interrupt, the DTE bit of DMDR is not controlled by the DTC but its value is modified with the write data regardless of the transfer counter value and DISEL bit setting. Accordingly, even if the DTC transfer counter value becomes 0, no interrupt request may be sent to the CPU in some cases.

### 8.9.4 DTCE Bit Setting

For DTCE bit setting, use bit manipulation instructions such as BSET and BCLR. If all interrupts are disabled, multiple activation sources can be set at one time (only at the initial setting) by writing data after executing a dummy read on the relevant register.

### 8.9.5 Chain Transfer

When chain transfer is used, clearing of the activation source or DTCER is performed when the last of the chain of data transfers is executed. At this time, SCI and A/D converter interrupt/activation sources, are cleared when the DTC reads or writes to the relevant register.

Therefore, when the DTC is activated by an interrupt or activation source, if a read/write of the relevant register is not included in the last chained data transfer, the interrupt or activation source will be retained.

### **8.9.6 Transfer Information Start Address, Source Address, and Destination Address**

The transfer information start address to be specified in the vector table should be address  $4n$ . If an address other than address  $4n$  is specified, the lower 2 bits of the address are regarded as 0s.

The source and destination addresses specified in SAR and DAR, respectively, will be transferred in the divided bus cycles depending on the address and data size.

### **8.9.7 Transfer Information Modification**

When  $IBCCS = 1$  and the DMAC is used, clear the IBCCS bit to 0 and then set to 1 again before modifying the DTC transfer information in the CPU exception handling routine initiated by a DTC transfer end interrupt.

### **8.9.8 Endian**

The DTC supports the big-endian and little-endian format. However, use the same endian format for writing and reading the transfer information.

## Section 9 I/O Ports

Table 9.1 summarizes the port functions. The pins of each port also have other functions such as input/output pins of on-chip peripheral modules or external interrupt input pins. Each I/O port includes a data direction register (DDR) that controls input/output, a data register (DR) that stores output data, a port register (PORT) used to read the pin states, and an input buffer control register (ICR) that controls input buffer on/off. Port 5 does not have a DR or a DDR register.

Ports D to F, H, and I have internal input pull-up MOSs and a pull-up MOS control register (PCR) that controls the on/off state of the input pull-up MOSs.

Ports 2 and F include an open-drain control register (ODR) that controls on/off of the output buffer PMOSs.

All of the I/O ports can drive a single TTL load and capacitive loads up to 30 pF.

All of the I/O ports can drive Darlington transistors when functioning as output ports.

Ports 2 and 3 are Schmitt-trigger inputs. Schmitt-trigger inputs for other ports are enabled when used as the  $\overline{\text{IRQ}}$ , TPU, or TMR inputs.

**Table 9.1 Port Functions**

Port	Description	Bit	I/O	Function		Schmitt-Trigger Input* <sup>1</sup>	Input Pull-up MOS Function	Open-Drain Output Function
				Input	Output			
Port 1	General I/O port also functioning as interrupt inputs, SCI I/Os, DMAC I/Os, A/D converter inputs, and TPU inputs	7	P17	$\overline{\text{IRQ7-A}}$ / $\text{TCLKD-B}$	—	$\overline{\text{IRQ7-A}}$ , $\text{TCLKD-B}$	—	—
		6	P16/SCK3	$\overline{\text{IRQ6-A}}$ / $\text{TCLKC-B}$	$\overline{\text{DACK1-A}}$	$\overline{\text{IRQ6-A}}$ , $\text{TCLKC-B}$		
		5	P15	RxD3/ $\overline{\text{IRQ5-A}}$ / $\text{TCLKB-B}$	$\overline{\text{TEND1-A}}$	$\overline{\text{IRQ5-A}}$ , $\text{TCLKB-B}$		
		4	P14	$\overline{\text{DREQ1-A}}$ / $\overline{\text{IRQ4-A}}$ / $\text{TCLKA-B}$	TxD3	$\overline{\text{IRQ4-A}}$ , $\text{TCLKA-B}$		
		3	P13	$\overline{\text{ADTRG0}}$ / $\overline{\text{IRQ3-A}}$	—	$\overline{\text{IRQ3-A}}$		
		2	P12/SCK2	$\overline{\text{IRQ2-A}}$	$\overline{\text{DACK0-A}}$	$\overline{\text{IRQ2-A}}$		
		1	P11	RxD2/ $\overline{\text{IRQ1-A}}$	$\overline{\text{TEND0-A}}$	$\overline{\text{IRQ1-A}}$		
		0	P10	$\overline{\text{DREQ0-A}}$ / $\overline{\text{IRQ0-A}}$	TxD2	$\overline{\text{IRQ0-A}}$		



Port	Description	Bit	Function			Schmitt-Trigger Input *1	Input Pull-up MOS Function	Open-Drain Output Function
			I/O	Input	Output			
Port 2	General I/O port also functioning as interrupt inputs, PPG outputs, TPU I/Os, TMR I/Os, and SCI I/Os	7	P27/ TIOCB5	TIOCA5	PO7	All input functions	—	O
		6	P26/ TIOCA5	—	PO6/TMO1/ TxD1	All input functions		
		5	P25/ TIOCA4	TMCI1/ RxD1	PO5	P25, TIOCA4, TMCI1		
		4	P24/ TIOCB4/ SCK1	TIOCA4/ TMRI1	PO4	P24, TIOCB4, TIOCA4, TMRI1		
		3	P23/ TIOCD3	$\overline{\text{IRQ11-A}}$ / TIOCC3	PO3	All input functions		
		2	P22/ TIOCC3	$\overline{\text{IRQ10-A}}$	PO2/TMO0/ TxD0/	All input functions		
		1	P21/ TIOCA3	TMCI0/ RxD0/ $\overline{\text{IRQ9-A}}$	PO1	P21, $\overline{\text{IRQ9-A}}$ , TIOCA3, TMCI0		
		0	P20/ TIOCB3/ SCK0	TIOCA3/ TMRI0/ $\overline{\text{IRQ8-A}}$	PO0	P20, $\overline{\text{IRQ8-A}}$ , TIOCB3, TIOCA3, TMRI0		

Port	Description	Bit	Function			Schmitt-Trigger Input* <sup>1</sup>	Input Pull-up MOS Function	Open-Drain Output Function
			I/O	Input	Output			
Port 3	General I/O port also functioning as PPG outputs, DMAC I/Os, and TPU I/Os	7	P37/ TIOCB2	TIOCA2/ TCLKD-A	PO15	All input functions	—	—
		6	P36/ TIOCA2	—	PO14	All input functions	—	—
		5	P35/ TIOCB1	TIOCA1/ TCLKC-A	PO13/ DACK1-B	All input functions	—	—
		4	P34/ TIOCA1	—	PO12/ TEND1-B	All input functions	—	—
		3	P33/ TIOCD0	TIOCC0/ TCLKB-A/ DREQ1-B	PO11	P33/ TIOCD0/ TIOCC0/ TCKB-A	—	—
		2	P32/ TIOCC0	TCLKA-A	PO10/ DACK0-B	All input functions	—	—
		1	P31/ TIOCB0	TIOCA0	PO9/ TEND0-B	All input functions	—	—
		0	P30/ TIOCA0	DREQ0-B	PO8	P30/ TIOCA0	—	—
Port 5	General input port also functioning as A/D converter inputs and D/A converter outputs	7	—	P57/AN7 IRQ7-B	DA1	IRQ7-B	—	—
		6	—	P56/AN6 IRQ6-B	DA0	IRQ6-B	—	—
		5	—	P55/AN5 IRQ5-B	—	IRQ5-B	—	—
		4	—	P54/AN4 IRQ4-B	—	IRQ4-B	—	—
		3	—	P53/AN3 IRQ3-B	—	IRQ3-B	—	—
		2	—	P52/AN2 IRQ2-B	—	IRQ2-B	—	—
		1	—	P51/AN1 IRQ1-B	—	IRQ1-B	—	—
		0	—	P50/AN0 IRQ0-B	—	IRQ0-B	—	—

Port	Description	Bit	Function			Schmitt-Trigger Input*1	Input Pull-up MOS Function	Open-Drain Output Function
			I/O	Input	Output			
Port 6	General I/O port also functioning as TMR I/Os, SCI I/Os, DMAC I/Os, and interrupt inputs	7	—	—	—	—	—	—
		6	—	—	—	—	—	—
		5	P65	—	TMO3/ $\overline{\text{DACK3}}$	—	—	—
		4	P64	TMC13	$\overline{\text{TEND3}}$	TMC13	—	—
		3	P63	TMRI3/ $\overline{\text{DREQ3}}$ / $\overline{\text{IRQ11-B}}$	—	TMRI3/ $\overline{\text{IRQ11-B}}$	—	—
		2	P62/SCK4	$\overline{\text{IRQ10-B}}$	TMO2/ $\overline{\text{DACK2}}$	$\overline{\text{IRQ10-B}}$	—	—
		1	P61	TMC12/ RxD4/ $\overline{\text{IRQ9-B}}$	$\overline{\text{TEND2}}$	TMC12/ $\overline{\text{IRQ9-B}}$	—	—
		0	P60	TMRI2/ $\overline{\text{DREQ2}}$ / $\overline{\text{IRQ8-B}}$	TxD4	TMC12/ $\overline{\text{IRQ8-B}}$	—	—
Port A	General I/O port also functioning as system clock output and bus control I/Os	7	—	PA7	B $\phi$	—	—	—
		6	PA6	—	$\overline{\text{AS/AH}}$ / $\overline{\text{BS-B}}$	—	—	
		5	—	—	$\overline{\text{RD}}$	—	—	
		4	PA4	—	$\overline{\text{LHWR/LUB}}$	—	—	
		3	—	—	$\overline{\text{LLWR/LLB}}$	—	—	
		2	PA2	$\overline{\text{BREQ}}$ / WAIT	—	—	—	—
		1	PA1	—	$\overline{\text{BACK}}$ / (RD/ $\overline{\text{WR}}$ )	—	—	
		0	PA0	—	$\overline{\text{BREQO}}$ / $\overline{\text{BS-A}}$	—	—	

Port	Description	Bit	Function		Schmitt-Trigger Input* <sup>1</sup>	Input Pull-up MOS Function	Open-Drain Output Function	
			I/O	Input				Output
Port B	General I/O port also functioning as bus control outputs	7	—	—	—	—	—	
		6	—	—	—	—	—	
		5	—	—	—	—	—	
		4	—	—	—	—	—	
		3	PB3	—	$\overline{\text{CS3}}$ / $\overline{\text{CS7-A}}$	—	—	—
		2	PB2	—	$\overline{\text{CS2-A}}$ / $\overline{\text{CS6-A}}$	—	—	—
		1	PB1	—	$\overline{\text{CS1}}$ / $\overline{\text{CS2-B}}$ / $\overline{\text{CS5-A}}$ / $\overline{\text{CS6-B}}$ / $\overline{\text{CS7-B}}$	—	—	—
		0	PB0	—	$\overline{\text{CS0/CS4-A}}$ / $\overline{\text{CS5-B}}$	—	—	—
Port D	Address outputs	7	—	—	A7	—	O	—
		6	—	—	A6	—	—	—
		5	—	—	A5	—	—	—
		4	—	—	A4	—	—	—
		3	—	—	A3	—	—	—
		2	—	—	A2	—	—	—
		1	—	—	A1	—	—	—
		0	—	—	A0	—	—	—
Port E	Address outputs	7	—	—	A15	—	O	—
		6	—	—	A14	—	—	—
		5	—	—	A13	—	—	—
		4	—	—	A12	—	—	—
		3	—	—	A11	—	—	—
		2	—	—	A10	—	—	—
		1	—	—	A9	—	—	—
		0	—	—	A8	—	—	—

Port	Description	Bit	Function			Schmitt-Trigger Input*1	Input Pull-up MOS Function	Open-Drain Output Function
			I/O	Input	Output			
Port F	General I/O port also functioning as address outputs	7	PF7	—	A23/ $\overline{\text{CS4-C}}$ / $\overline{\text{CS5-C}}$ / $\overline{\text{CS6-C}}$ / $\overline{\text{CS7-C}}$	—	O*3	O
		6	PF6	—	A22/ $\overline{\text{CS6-D}}$			
		5	PF5	—	A21/ $\overline{\text{CS5-D}}$			
		4	—	—	A20			
		3	—	—	A19			
		2	—	—	A18			
		1	—	—	A17			
		0	—	—	A16			
Port H	General I/O port also functioning as bi-directional data bus	7	D7*2	—	—	—	O	—
		6	D6*2	—	—			
		5	D5*2	—	—			
		4	D4*2	—	—			
		3	D3*2	—	—			
		2	D2*2	—	—			
		1	D1*2	—	—			
		0	D0*2	—	—			
Port I	General I/O port also functioning as bi-directional data bus	7	PI7/D15*2	—	—	—	O	—
		6	PI6/D14*2	—	—			
		5	PI5/D13*2	—	—			
		4	PI4/D12*2	—	—			
		3	PI3/D11*2	—	—			
		2	PI2/D10*2	—	—			
		1	PI1/D9*2	—	—			
		0	PI0/D8*2	—	—			

- Notes: 1. Pins without Schmitt-trigger input buffer have CMOS input buffer.  
2. Addresses are also output when accessing to the address/data multiplexed I/O space.  
3. When enabling the  $\overline{\text{CS}}$  output, turn the input pull-up MOS function off before enabling it.

## 9.1 Register Descriptions

Table 9.2 lists each port registers.

**Table 9.2 Register Configuration in Each Port**

Port	Number of Pins	Registers					
		DDR	DR	PORT	ICR	PCR	ODR
Port 1	8	O	O	O	O	—	—
Port 2	8	O	O	O	O	—	O
Port 3	8	O	O	O	O	—	—
Port 5	8	—	—	O	O	—	—
Port 6* <sup>1</sup>	6	O	O	O	O	—	—
Port A	8	O	O	O	O	—	—
Port B* <sup>2</sup>	4	O	O	O	O	—	—
Port D	8	O	O	O	O	O	—
Port E	8	O	O	O	O	O	—
Port F	8	O	O	O	O	O	O
Port H	8	O	O	O	O	O	—
Port I	8	O	O	O	O	O	—

[Legend]

O: Register exists

—: No register exists

- Notes:
1. The lower six bits are valid and the upper two bits are reserved. The write value should always be the initial value.
  2. The lower four bits are valid and the upper four bits are reserved. The write value should always be the initial value.

### 9.1.1 Data Direction Register (PnDDR) (n = 1 to 3, 6, A, B, D to F, H, and I)

DDR is an 8-bit write-only register that specifies the port input or output for each bit. A read from the DDR is invalid and DDR is always read as an undefined value.

When the general I/O port function is selected, the corresponding pin functions as an output port by setting the corresponding DDR bit to 1; the corresponding pin functions as an input port by clearing the corresponding DDR bit to 0.

The initial DDR values are shown in table 9.3.

Bit	7	6	5	4	3	2	1	0
Bit Name	Pn7DDR	Pn6DDR	Pn5DDR	Pn4DDR	Pn3DDR	Pn2DDR	Pn1DDR	Pn0DDR
Initial Value	0	0	0	0	0	0	0	0
R/W	W	W	W	W	W	W	W	W

Note: The lower six bits are valid and the upper two bits are reserved for port 6 registers.  
The lower four bits are valid and the upper four bits are reserved for port B registers.

**Table 9.3 Startup Mode and Initial Value**

Port	Startup Mode
	External Extended Mode
Port A	H'80
Other ports	H'00

### 9.1.2 Data Register (PnDR) (n = 1 to 3, 6, A, B, D to F, H, and I)

DR is an 8-bit readable/writable register that stores the output data of the pins to be used as the general output port.

The initial value of DR is H'00.

Bit	7	6	5	4	3	2	1	0
Bit Name	Pn7DR	Pn6DR	Pn5DR	Pn4DR	Pn3DR	Pn2DR	Pn1DR	Pn0DR
Initial Value	0	0	0	0	0	0	0	0
R/W	R/W	R/W	R/W	R/W	R/W	R/W	R/W	R/W

Note: The lower six bits are valid and the upper two bits are reserved for port 6 registers.  
The lower four bits are valid and the upper four bits are reserved for port B registers.

### 9.1.3 Port Register (PORTn) (n = 1 to 3, 5, 6, A, B, D to F, H, and I)

PORT is an 8-bit read-only register that reflects the port pin status. A write to PORT is invalid.

When PORT is read, the DR bits that correspond to the respective DDR bits set to 1 are read and the status of each pin whose corresponding DDR bit is cleared to 0 is also read regardless of the ICR value.

The initial value of PORT is undefined and is determined based on the port pin status.

Bit	7	6	5	4	3	2	1	0
Bit Name	Pn7	Pn6	Pn5	Pn4	Pn3	Pn2	Pn1	Pn0
Initial Value	Undefined	Undefined	Undefined	Undefined	Undefined	Undefined	Undefined	Undefined
R/W	R	R	R	R	R	R	R	R

Note: The lower six bits are valid and the upper two bits are reserved for port 6 registers.  
The lower four bits are valid and the upper four bits are reserved for port B registers.

### 9.1.4 Input Buffer Control Register (PnICR) (n = 1 to 3, 5, 6, A, B, D to F, H, and I)

ICR is an 8-bit readable/writable register that controls the port input buffers.

For bits in ICR set to 1, the input buffers of the corresponding pins are valid. For bits in ICR cleared to 0, the input buffers of the corresponding pins are invalid and the input signals are fixed high.

When the pin functions as an input for the peripheral modules, the corresponding bits should be set to 1. The initial value should be written to a bit whose corresponding pin is not used as an input or is used as an analog input/output pin.

If the bits in ICR have been cleared to 0, the pin state is not reflected to the peripheral modules.

When PORT is read, the pin status is always read regardless of the ICR value.



If ICR is modified, an internal edge may occur depending on the pin status. Accordingly, ICR should be modified when the corresponding input pins are not used. For example, in  $\overline{\text{IRQ}}$  input, modify ICR while the corresponding interrupt is disabled, clear the IRQF flag in ISR of the interrupt controller to 0, and then enable the corresponding interrupt. If an edge occurs after the ICR setting, the edge should be cancelled.

The initial value of ICR is H'00.

Bit	7	6	5	4	3	2	1	0
Bit Name	Pn7ICR	Pn6ICR	Pn5ICR	Pn4ICR	Pn3ICR	Pn2ICR	Pn1ICR	Pn0ICR
Initial Value	0	0	0	0	0	0	0	0
R/W	R/W	R/W	R/W	R/W	R/W	R/W	R/W	R/W

Note: The lower six bits are valid and the upper two bits are reserved for port 6 registers.  
The lower four bits are valid and the upper four bits are reserved for port B registers.

### 9.1.5 Pull-Up MOS Control Register (PnPCR) (n = D to F, H, and I)

PCR is an 8-bit readable/writable register that controls on/off of the port input pull-up MOS.

If a bit in PCR is set to 1 while the pin is in input state, the input pull-up MOS corresponding to the bit in PCR is turned on. Table 9.4 shows the input pull-up MOS status.

The initial value of PCR is H'00.

Bit	7	6	5	4	3	2	1	0
Bit Name	Pn7PCR	Pn6PCR	Pn5PCR	Pn4PCR	Pn3PCR	Pn2PCR	Pn1PCR	Pn0PCR
Initial Value	0	0	0	0	0	0	0	0
R/W	R/W	R/W	R/W	R/W	R/W	R/W	R/W	R/W

**Table 9.4 Input Pull-Up MOS State**

Port	Pin State	Reset	Hardware Standby Mode	Software Standby Mode	Other Operation
Port D	Address output			OFF	
	Port output			OFF	
	Port input		OFF		ON/OFF
Port E	Address output			OFF	
	Port output			OFF	
	Port input		OFF		ON/OFF

Port	Pin State	Reset	Hardware Standby Mode	Software Standby Mode	Other Operation
Port F	Address output			OFF	
	$\overline{CS}$ output		OFF		ON/OFF*
	Port input		OFF		ON/OFF
Port H	Data input/output			OFF	
	Port output			OFF	
	Port input		OFF		ON/OFF
Port I	Data input/output			OFF	
	Port output			OFF	
	Port input		OFF		ON/OFF

[Legend]

OFF: The input pull-up MOS is always off.

ON/OFF: If PCR is set to 1, the input pull-up MOS is on; if PCR is cleared to 0, the input pull-up MOS is off.

Note: \* When enabling the  $\overline{CS}$  output, clear PCR to 0 before enabling it.

### 9.1.6 Open-Drain Control Register (PnODR) (n = 2 and F)

ODR is an 8-bit readable/writable register that selects the open-drain output function.

If a bit in ODR is set to 1, the pin corresponding to that bit in ODR functions as an NMOS open-drain output. If a bit in ODR is cleared to 0, the pin corresponding to that bit in ODR functions as a CMOS output.

The initial value of ODR is H'00.

Bit	7	6	5	4	3	2	1	0
Bit Name	Pn7ODR	Pn6ODR	Pn5ODR	Pn4ODR	Pn3ODR	Pn2ODR	Pn1ODR	Pn0ODR
Initial Value	0	0	0	0	0	0	0	0
R/W	R/W	R/W	R/W	R/W	R/W	R/W	R/W	R/W

## 9.2 Output Buffer Control

This section describes the output priority of each pin.

The name of each peripheral module pin is followed by "\_OE". This (for example: MIOCA4\_OE) indicates whether the output of the corresponding function is valid (1) or if another setting is specified (0). Table 9.5 lists each port output signal's valid setting. For details on the corresponding output signals, see the register description of each peripheral module. If the name of each peripheral module pin is followed by A or B, the pin function can be modified by the port function control register (PFCR). For details, see section 9.3, Port Function Controller.

### 9.2.1 Port 1

#### (1) P17/ $\overline{\text{IRQ7}}$ -A/TCLKD-B

The pin function is switched as shown below according to the P17DDR bit setting.

Module Name	Pin Function	Setting	
		I/O Port	P17DDR
I/O port	P17 output	1	
	P17 input (initial setting)	0	

#### (2) P16/SCK3/ $\overline{\text{DACK1}}$ -A/ $\overline{\text{IRQ6}}$ -A/TCLKC-B

The pin function is switched as shown below according to the combination of the DMAC and SCI register settings and P16DDR bit setting.

Module Name	Pin Function	Setting		
		DMAC	SCI	I/O Port
		$\overline{\text{DACK1A\_OE}}$	SCK3_OE	P16DDR
DMAC	$\overline{\text{DACK1}}$ -A output	1	—	—
SCI	SCK3 output	0	1	—
I/O port	P16 output	0	0	1
	P16 input (initial setting)	0	0	0

**(3) P15/RxD3/ $\overline{\text{TEND1-A}}$ / $\overline{\text{IRQ5-A}}$ /TCLKB-B**

The pin function is switched as shown below according to the combination of the DMAC register setting and P15DDR bit setting.

Module Name	Pin Function	Setting	
		DMAC	I/O Port
		$\overline{\text{TEND1A\_OE}}$	P15DDR
DMAC	$\overline{\text{TEND1-A}}$ output	1	—
I/O port	P15 output	0	1
	P15 input (initial setting)	0	0

**(4) P14/TxD3/ $\overline{\text{DREQ1-A}}$ / $\overline{\text{IRQ4-A}}$ /TCLKA-B**

The pin function is switched as shown below according to the combination of the SCI register setting and P14DDR bit setting.

Module Name	Pin Function	Setting	
		SCI	I/O Port
		TxD3_OE	P14DDR
SCI	TxD3 output	1	—
I/O port	P14 output	0	1
	P14 input (initial setting)	0	0

**(5) P13/ $\overline{\text{ADTRG0}}$ / $\overline{\text{IRQ3-A}}$** 

The pin function is switched as shown below according to the P13DDR bit setting.

Module Name	Pin Function	Setting	
		I/O Port	
		P13DDR	
I/O port	P13 output	1	
	P13 input (initial setting)	0	

**(6) P12/SCK2/ $\overline{\text{DACK0-A}}$ / $\overline{\text{IRQ2-A}}$** 

The pin function is switched as shown below according to the combination of the DMAC and SCI register settings and P12DDR bit setting.

Module Name	Pin Function	Setting		
		DMAC $\overline{\text{DACK0A\_OE}}$	SCI SCK2_OE	I/O Port P12DDR
DMAC	$\overline{\text{DACK0-A}}$ output	1	—	—
SCI	SCK2 output	0	1	—
I/O port	P12 output	0	0	1
	P12 input (initial setting)	0	0	0

**(7) P11/RxD2/ $\overline{\text{TEND0-A}}$ / $\overline{\text{IRQ1-A}}$** 

The pin function is switched as shown below according to the combination of the DMAC register setting and P11DDR bit setting.

Module Name	Pin Function	Setting	
		DMAC $\overline{\text{TEND0A\_OE}}$	I/O Port P11DDR
DMAC	$\overline{\text{TEND0-A}}$ output	1	—
I/O port	P11 output	0	1
	P11 input (initial setting)	0	0

**(8) P10/TxD2/DREQ0-A/IRQ0-A**

The pin function is switched as shown below according to the combination of the SCI register setting and P10DDR bit setting.

Module Name	Pin Function	Setting	
		SCI	I/O Port
		TxD2_OE	P10DDR
SCI	TxD2 output	1	—
I/O port	P10 output	0	1
	P10 input (initial setting)	0	0

**9.2.2 Port 2****(1) P27/PO7/TIOCA5/TIOCB5**

The pin function is switched as shown below according to the combination of the TPU and PPG register settings and P27DDR bit setting.

Module Name	Pin Function	Setting		
		TPU	PPG	I/O Port
		TIOCB5_OE	PO7_OE	P27DDR
TPU	TIOCB5 output	1	—	—
PPG	PO7 output	0	1	—
I/O port	P27 output	0	0	1
	P27 input (initial setting)	0	0	0

**(2) P26/PO6/TIOCA5/TMO1/TxD1**

The pin function is switched as shown below according to the combination of the TPU, TMR, SCI, and PPG register settings and P26DDR bit setting.

Module Name	Pin Function	Setting				
		TPU	TMR	SCI	PPG	I/O Port
		TIOCA5_OE	TMO1_OE	TxD1_OE	PO6_OE	P26DDR
TPU	TIOCA5 output	1	—	—	—	—
TMR	TMO1 output	0	1	—	—	—
SCI	TxD1 output	0	0	1	—	—
PPG	PO6 output	0	0	0	1	—
I/O port	P26 output	0	0	0	0	1
	P26 input (initial setting)	0	0	0	0	0

**(3) P25/PO5/TIOCA4/TMCI1/RxD1**

The pin function is switched as shown below according to the combination of the TPU and PPG register settings and P25DDR bit setting.

Module Name	Pin Function	Setting		
		TPU	PPG	I/O Port
		TIOCA4_OE	PO5_OE	P25DDR
TPU	TIOCA4 output	1	—	—
PPG	PO5 output	0	1	—
I/O port	P25 output	0	0	1
	P25 input (initial setting)	0	0	0

**(4) P24/PO4/TIOCA4/TIOCB4/TMRI1/SCK1**

The pin function is switched as shown below according to the combination of the TPU, SCI, and PPG register settings and P24DDR bit setting.

Module Name	Pin Function	Setting			
		TPU	SCI	PPG	I/O Port
		TIOCB4_OE	SCK1_OE	PO4_OE	P24DDR
TPU	TIOCB4 output	1	—	—	—
SCI	SCK1 output	0	1	—	—
PPG	PO4 output	0	0	1	—
I/O port	P24 output	0	0	0	1
	P24 input (initial setting)	0	0	0	0

**(5) P23/PO3/TIOCC3/TIOCD3/ $\overline{\text{IRQ11-A}}$** 

The pin function is switched as shown below according to the combination of the TPU and PPG register settings and P23DDR bit setting.

Module Name	Pin Function	Setting		
		TPU	PPG	I/O Port
		TIOCD3_OE	PO3_OE	P23DDR
TPU	TIOCD3 output	1	—	—
PPG	PO3 output	0	1	—
I/O port	P23 output	0	0	1
	P23 input (initial setting)	0	0	0



**(6) P22 /PO2/TIOCC3/TMO0/TxD0/ $\overline{\text{IRQ10}}$ -A**

The pin function is switched as shown below according to the combination of the TPU, TMR, SCI, and PPG register settings and P22DDR bit setting.

Module Name	Pin Function	Setting				
		TPU	TMR	SCI	PPG	I/O Port
		TIOCC3_OE	TMO0_OE	TxD0_OE	PO2_OE	P22DDR
TPU	TIOCC3 output	1	—	—	—	—
TMR	TMO0 output	0	1	—	—	—
SCI	TxD0 output	0	0	1	—	—
PPG	PO2 output	0	0	0	1	—
I/O port	P22 output	0	0	0	0	1
	P22 input (initial setting)	0	0	0	0	0

**(7) P21/PO1/TIOCA3/TMCI0/RxD0/ $\overline{\text{IRQ9}}$ -A**

The pin function is switched as shown below according to the combination of the TPU and PPG register settings and P21DDR bit setting.

Module Name	Pin Function	Setting		
		TPU	PPG	I/O Port
		TIOCA3_OE	PO1_OE	P21DDR
TPU	TIOCA3 output	1	—	—
PPG	PO1 output	0	1	—
I/O port	P21 output	0	0	1
	P21 input (initial setting)	0	0	0

**(8) P20/PO0/TIOCA3/TIOCB3/TMRI0/SCK0/IRQ8-A**

The pin function is switched as shown below according to the combination of the TPU, SCI, and PPG register settings and P20DDR bit setting.

Module Name	Pin Function	Setting			
		TPU	SCI	PPG	I/O Port
		TIOCB3_OE	SCK0_OE	PO0_OE	P20DDR
TPU	TIOCB3 output	1	—	—	—
SCI	SCK0 output	0	1	—	—
PPG	PO0 output	0	0	1	—
I/O port	P20 output	0	0	0	1
	P20 input (initial setting)	0	0	0	0

**9.2.3 Port 3****(1) P37/PO15/TIOCA2/TIOCB2/TCLKD-A**

The pin function is switched as shown below according to the combination of the TPU and PPG register settings and P37DDR bit setting.

Module Name	Pin Function	Setting		
		TPU	PPG	I/O Port
		TIOCB2_OE	PO15_OE	P37DDR
TPU	TIOCB2 output	1	—	—
PPG	PO15 output	0	1	—
I/O port	P37 output	0	0	1
	P37 input (initial setting)	0	0	0

**(2) P36/PO14/TIOCA2**

The pin function is switched as shown below according to the combination of the TPU and PPG register settings and P36DDR bit setting.

Module Name	Pin Function	Setting		
		TPU	PPG	I/O Port
		TIOCA2_OE	PO14_OE	P36DDR
TPU	TIOCA2 output	1	—	—
PPG	PO14 output	0	1	—
I/O port	P36 output	0	0	1
	P36 input (initial setting)	0	0	0

**(3) P35/PO13/TIOCA1/TIOCB1/TCLKC-A/ $\overline{\text{DACK1-B}}$** 

The pin function is switched as shown below according to the combination of the DMAC, TPU, and PPG register settings and P35DDR bit setting.

Module Name	Pin Function	Setting			
		DMAC	TPU	PPG	I/O Port
		$\overline{\text{DACK1B}}_{\text{OE}}$	TIOCB1_OE	PO13_OE	P35DDR
DMAC	$\overline{\text{DACK1-B}}$ output	1	—	—	—
TPU	TIOCB1 output	0	1	—	—
PPG	PO13 output	0	0	1	—
I/O port	P35 output	0	0	0	1
	P35 input (initial setting)	0	0	0	0

**(4) P34/PO12/TIOCA1/ $\overline{\text{TEND1-B}}$** 

The pin function is switched as shown below according to the combination of the DMAC, TPU, and PPG register settings and P34DDR bit setting.

Module Name	Pin Function	Setting			
		DMAC	TPU	PPG	I/O Port
		$\overline{\text{TEND1B\_OE}}$	TIOCA1_OE	PO12_OE	P34DDR
DMAC	$\overline{\text{TEND1-B}}$ output	1	—	—	—
TPU	TIOCA1 output	0	1	—	—
PPG	PO12 output	0	0	1	—
I/O port	P34 output	0	0	0	1
	P34 input (initial setting)	0	0	0	0

**(5) P33/PO11/TIOCC0/TIOCD0/TCLKB-A/ $\overline{\text{DREQ1-B}}$** 

The pin function is switched as shown below according to the combination of the TPU and PPG register settings and P33DDR bit setting.

Module Name	Pin Function	Setting		
		TPU	PPG	I/O Port
		TIOCD0_OE	PO11_OE	P33DDR
TPU	TIOCD0 output	1	—	—
PPG	PO11 output	0	1	—
I/O port	P33 output	0	0	1
	P33 input (initial setting)	0	0	0

**(6) P32/PO10/TIOCC0/TCLKA-A/ $\overline{\text{DACK0-B}}$** 

The pin function is switched as shown below according to the combination of the DMAC, TPU, and PPG register settings and P32DDR bit setting.

Module Name	Pin Function	Setting			
		DMAC	TPU	PPG	I/O Port
		$\overline{\text{DACK0B\_OE}}$	TIOCC0_OE	PO10_OE	P32DDR
DMAC	$\overline{\text{DACK0-B}}$ output	1	—	—	—
TPU	TIOCC0 output	0	1	—	—
PPG	PO10 output	0	0	1	—
I/O port	P32 output	0	0	0	1
	P32 input (initial setting)	0	0	0	0

**(7) P31/PO9/TIOCA0/TIOCB0/ $\overline{\text{TEND0-B}}$** 

The pin function is switched as shown below according to the combination of the DMAC, TPU, and PPG register settings and P31DDR bit setting.

Module Name	Pin Function	Setting			
		DMAC	TPU	PPG	I/O Port
		$\overline{\text{TEND0B\_OE}}$	TIOCB0_OE	PO9_OE	P31DDR
DMAC	$\overline{\text{TEND0-B}}$ output	1	—	—	—
TPU	TIOCB0 output	0	1	—	—
PPG	PO9 output	0	0	1	—
I/O port	P31 output	0	0	0	1
	P31 input (initial setting)	0	0	0	0

**(8) P30/PO8/ $\overline{\text{DREQ0-B}}$ /TIOCA0**

The pin function is switched as shown below according to the combination of the TPU and PPG register settings and P30DDR bit setting.

Module Name	Pin Function	Setting		
		TPU	PPG	I/O Port
		TIOCA0_OE	PO8_OE	P30DDR
TPU	TIOCA0 output	1	—	—
PPG	PO8 output	0	1	—
I/O port	P30 output	0	0	1
	P30 input (initial setting)	0	0	0

**9.2.4 Port 5****(1) P57/AN7/DA1/ $\overline{\text{IRQ7-B}}$ :**

Module Name	Pin Function
D/A converter	DA1 output

**(2) P56/AN6/DA0/ $\overline{\text{IRQ6-B}}$ :**

Module Name	Pin Function
D/A converter	DA0 output

## 9.2.5 Port 6

### (1) P65/TMO3/ $\overline{\text{DACK3}}$

The pin function is switched as shown below according to the combination of the DMAC and TMR register settings and P65DDR bit setting.

Module Name	Pin Function	Setting		
		DMAC	TMR	I/O Port
		$\overline{\text{DACK3}}_{\text{OE}}$	TMO3_OE	P65DDR
DMAC	$\overline{\text{DACK3}}$ output	1	—	—
TMR	TMO3 output	0	1	—
I/O port	P65 output	0	0	1
	P65 input (initial setting)	0	0	0

### (2) P64/TMCI3/ $\overline{\text{TEND3}}$

The pin function is switched as shown below according to the combination of the DMAC register setting and P64DDR bit setting.

Module Name	Pin Function	Setting	
		DMAC	I/O Port
		$\overline{\text{TEND3}}_{\text{OE}}$	P64DDR
DMAC	$\overline{\text{TEND3}}$ output	1	—
I/O port	P64 output	0	1
	P64 input (initial setting)	0	0

**(3) P63/TMRI3/DREQ3/IRQ11-B**

The pin function is switched as shown below according to the P63DDR bit setting.

Module Name	Pin Function	Setting	
		I/O Port	
		P63DDR	
I/O port	P63 output	1	
	P63 input (initial setting)	0	

**(4) P62/TMO2/SCK4/DACK2/IRQ10-B**

The pin function is switched as shown below according to the combination of the DMAC, TMR, and SCI register settings and P62DDR bit setting.

Module Name	Pin Function	Setting			
		DMAC	TMR	SCI	I/O Port
		DACK2_OE	TMO2_OE	SCK4_OE	P62DDR
DMAC	DACK2 output	1	—	—	—
TMR	TMO2 output	0	1	—	—
SCI	SCK4 output	0	0	1	—
I/O port	P62 output	0	0	0	1
	P62 input (initial setting)	0	0	0	0



**(5) P61/TMCI2/RxD4/TEND2/IRQ9-B**

The pin function is switched as shown below according to the combination of the DMAC register setting and P61DDR bit setting.

Module Name	Pin Function	Setting	
		DMAC	I/O Port
		TEND2_OE	P61DDR
DMAC	TEND2 output	1	—
I/O port	P61 output	0	1
	P61 input (initial setting)	0	0

**(6) P60/TMRI2/TxD4/DREQ2/IRQ8-B**

The pin function is switched as shown below according to the combination of the SCI register setting and P60DDR bit setting.

Module Name	Pin Function	Setting	
		SCI	I/O Port
		TxD4_OE	P60DDR
SCI	TxD4 output	1	—
I/O port	P60 output	0	1
	P60 input (initial setting)	0	0

## 9.2.6 Port A

### (1) PA7/B $\phi$

The pin function is switched as shown below according to the PA7DDR bit setting.

Module Name	Pin Function	Setting	
		I/O Port	
		PA7DDR	
I/O port	B $\phi$ output* (initial setting)	1	
	PA7 input	0	

Note: \* The type of  $\phi$  to be output switches according to the POSEL1 bit in SCKCR. For details, see section 18.1.1, System Clock Control Register (SCKCR).

### (2) PA6/ $\overline{AS}$ / $\overline{AH}$ / $\overline{BS}$ -B

The pin function is switched as shown below according to the combination of bus controller register, port function control register (PFCR), and the PA6DDR bit settings.

Module Name	Pin Function	Setting			
		Bus Controller			I/O Port
		$\overline{AH\_OE}$	$\overline{BS-B\_OE}$	$\overline{AS\_OE}$	
		PA6DDR			
Bus controller	$\overline{AH}$ output	1	—	—	—
	$\overline{BS}$ -B output	0	1	—	—
	$\overline{AS}$ output (initial setting)	0	0	1	—
I/O port	PA6 output	0	0	0	1
	PA6 input	0	0	0	0

**(3) PA5/ $\overline{RD}$** 

The pin function is always  $\overline{RD}$  output.

Module Name	Pin Function	Setting	
		MCU Operating Mode	I/O Port
		EXPE	PA5DDR
Bus controller	$\overline{RD}$ output (initial setting)	1	—

**(4) PA4/ $\overline{LHWR}$ / $\overline{LUB}$** 

The pin function is switched as shown below according to the combination of bus controller register, port function control register (PFCR), and the PA4DDR bit settings.

Module Name	Pin Function	Setting		
		Bus Controller		I/O Port
		$\overline{LUB\_OE}$ *	$\overline{LHWR\_OE}$ *	PA4DDR
Bus controller	$\overline{LUB}$ output	1	—	—
	$\overline{LHWR}$ output (initial setting)	—	1	—
I/O port	PA4 output	0	0	1
	PA4 input	0	0	0

Note: \* When the byte control SRAM space is accessed while the byte control SRAM space is specified or while LHWR $\overline{OE}$  =1, this pin functions as the  $\overline{LUB}$  output; otherwise, the  $\overline{LHWR}$  output.

**(5) PA3/ $\overline{LLWR}$ / $\overline{LLB}$** 

The pin function is switched as shown below according to the bus controller register setting.

Module Name	Pin Function	Setting		
		Bus Controller		I/O Port
		$\overline{LLB\_OE}$ *	$\overline{LLWR\_OE}$ *	PA3DDR
Bus controller	$\overline{LLB}$ output	1	—	—
	$\overline{LLWR}$ output (initial setting)	—	1	—

Note: \* If the byte control SRAM space is accessed, this pin functions as the  $\overline{LLB}$  output; otherwise, the  $\overline{LLWR}$ .

**(6) PA2/ $\overline{\text{BREQ}}$ / $\overline{\text{WAIT}}$** 

The pin function is switched as shown below according to the combination of the bus controller register setting and PA2DDR bit setting.

Module Name	Pin Function	Setting		
		Bus Controller		I/O Port
		BCR_BRLE	BCR_WAITE	PA2DDR
Bus controller	$\overline{\text{BREQ}}$ input	1	—	—
	$\overline{\text{WAIT}}$ input	0	1	—
I/O port	PA2 output	0	0	1
	PA2 input (initial setting)	0	0	0

**(7) PA1/ $\overline{\text{BACK}}$ / $\overline{\text{RD}}$ / $\overline{\text{WR}}$** 

The pin function is switched as shown below according to the combination of bus controller register, port function control register (PFCR), and the PA1DDR bit settings.

Module Name	Pin Function	Setting			
		Bus Controller		I/O Port	
		$\overline{\text{BACK}}_{\text{OE}}$	Byte control SRAM Selection	$\overline{\text{RD}}_{\text{OE}}$ $\overline{\text{WR}}_{\text{OE}}$	PA1DDR
Bus controller	$\overline{\text{BACK}}$ output	1	—	—	—
	$\overline{\text{RD}}_{\text{OE}}$ $\overline{\text{WR}}_{\text{OE}}$ output	0	1	—	—
		0	0	1	—
I/O port	PA1 output	0	0	0	1
	PA1 input (initial setting)	0	0	0	0

**(8) PA0/ $\overline{\text{BREQO}}$ / $\overline{\text{BS-A}}$** 

The pin function is switched as shown below according to the combination of bus controller register, port function control register (PFCR), and the PA0DDR bit settings.

Module Name	Pin Function	Setting		
		I/O Port	Bus Controller	I/O Port
		$\overline{\text{BS-A}}_{\text{OE}}$	$\overline{\text{BREQ}}_{\text{OE}}$	PA0DDR
Bus controller	$\overline{\text{BS-A}}$ output	1	—	—
	$\overline{\text{BREQO}}$ output	0	1	—
I/O port	PA0 output	0	0	1
	PA0 input (initial setting)	0	0	0

**9.2.7 Port B****(1) PB3/ $\overline{\text{CS3}}$ / $\overline{\text{CS7-A}}$** 

The pin function is switched as shown below according to the combination of port function control register (PFCR) and the PB3DDR bit settings.

Module Name	Pin Function	Setting		
		I/O Port		
		$\overline{\text{CS3}}_{\text{OE}}$	$\overline{\text{CS7A}}_{\text{OE}}$	PB3DDR
Bus controller	$\overline{\text{CS3}}$ output	1	—	—
	$\overline{\text{CS7-A}}$ output	—	1	—
I/O port	PB3 output	0	0	1
	PB3 input (initial setting)	0	0	0

**(2) PB2/ $\overline{\text{CS2-A}}$ / $\overline{\text{CS6-A}}$** 

The pin function is switched as shown below according to the combination of port function control register (PFCR) and the PB2DDR bit settings.

Module Name	Pin Function	Setting		
		I/O Port		
		$\overline{\text{CS2A\_OE}}$	$\overline{\text{CS6A\_OE}}$	PB2DDR
Bus controller	$\overline{\text{CS2-A}}$ output	1	—	—
	$\overline{\text{CS6-A}}$ output	—	1	—
I/O port	PB2 output	0	0	1
	PB2 input (initial setting)	0	0	0

**(3) PB1/ $\overline{\text{CS1}}$ / $\overline{\text{CS2-B}}$ / $\overline{\text{CS5-A}}$ / $\overline{\text{CS6-B}}$ / $\overline{\text{CS7-B}}$** 

The pin function is switched as shown below according to the combination of port function control register (PFCR) and the PB1DDR bit settings.

Module Name	Pin Function	Setting					PB1DDR
		I/O Port					
		$\overline{\text{CS1\_OE}}$	$\overline{\text{CS2B\_OE}}$	$\overline{\text{CS5A\_OE}}$	$\overline{\text{CS6B\_OE}}$	$\overline{\text{CS7B\_OE}}$	
Bus controller	$\overline{\text{CS1}}$ output	1	—	—	—	—	—
	$\overline{\text{CS2-B}}$ output	—	1	—	—	—	—
	$\overline{\text{CS5-A}}$ output	—	—	1	—	—	—
	$\overline{\text{CS6-B}}$ output	—	—	—	1	—	—
	$\overline{\text{CS7-B}}$ output	—	—	—	—	1	—
I/O port	PB1 output	0	0	0	0	0	1
	PB1 input (initial setting)	0	0	0	0	0	0

**(4) PB0/ $\overline{\text{CS0}}$ / $\overline{\text{CS4-A}}$ / $\overline{\text{CS5-B}}$** 

The pin function is switched as shown below according to the combination of port function control register (PFCR) and the PB0DDR bit settings.

Module Name	Pin Function	Setting			
		I/O Port			
		$\overline{\text{CS0\_OE}}$	$\overline{\text{CS4A\_OE}}$	$\overline{\text{CS5B\_OE}}$	PB0DDR
Bus controller	$\overline{\text{CS0}}$ output (initial setting)	1	—	—	—
	$\overline{\text{CS4-A}}$ output	—	1	—	—
	$\overline{\text{CS5-B}}$ output	—	—	1	—
I/O port	PB0 output	0	0	0	1
	PB0 input	0	0	0	0

**9.2.8 Port D****(1) PD7/A7, PD6/A6, PD5/A5, PD4/A4, PD3/A3, PD2/A2, PD1/A1, PD0/A0**

The pin function is always address output.

Module Name	Pin Function	Setting
		I/O Port
		PDnDDR
Bus controller	Address output	—

[Legend]

n = 0 to 7

### 9.2.9 Port E

#### (1) PE7/A15, PE6/A14, PE5/A13, PE4/A12, PE3/A11, PE2/A10, PE1/A9, PE0/A8

The pin function is always address output.

Module Name	Pin Function	Setting	
		I/O Port	
		PEnDDR	
Bus controller	Address output	—	

[Legend]

n = 0 to 7

### 9.2.10 Port F

#### (1) PF7/A23/ $\overline{CS4-C}$ / $\overline{CS5-C}$ / $\overline{CS6-C}$ / $\overline{CS7-C}$

The pin function is switched as shown below according to the combination of port function control register (PFCR) and the PF7DDR bit settings.

Module Name	Pin Function	Setting					
		I/O Port					
		A23_OE	$\overline{CS4-C}$ output	$\overline{CS5-C}$ output	$\overline{CS6-C}$ output	$\overline{CS7-C}$ output	PF7DDR
Bus controller	A23 output	1	—	—	—	—	—
	$\overline{CS4-C}$ output	0	1	—	—	—	—
	$\overline{CS5-C}$ output	0	—	1	—	—	—
	$\overline{CS6-C}$ output	0	—	—	1	—	—
	$\overline{CS7-C}$ output	0	—	—	—	1	—
I/O port	PF7 output	0	0	0	0	0	1
	PF7 input (initial setting)	0	0	0	0	0	0



**(2) PF6/A22/ $\overline{\text{CS6}}$ -D**

The pin function is switched as shown below according to the combination of port function control register (PFCR) and the PF6DDR bit settings.

Module Name	Pin Function	Setting		
		I/O Port		
		A22_OE	$\overline{\text{CS6}}$ _OE	PF6DDR
Bus controller	A22 output	1	—	—
	$\overline{\text{CS6}}$ -D output	0	1	—
I/O port	PF6 output	0	0	1
	PF6 input (initial setting)	0	0	0

**(3) PF5/A21/ $\overline{\text{CS5}}$ -D**

The pin function is switched as shown below according to the combination of port function control register (PFCR) and the PF5DDR bit settings.

Module Name	Pin Function	Setting		
		I/O Port		
		A21_OE	$\overline{\text{CS5}}$ _OE	PF5DDR
Bus controller	A21 output	1	—	—
	$\overline{\text{CS5}}$ -D output	0	1	—
I/O port	PF5 output	0	0	1
	PF5 input (initial setting)	0	0	0

**(4) PF4/A20**

The pin function is always address output.

Module Name	Pin Function	Setting
		I/O Port
		PF4DDR
Bus controller	A20 output	—

**(5) PF3/A19**

The pin function is always address output.

		Setting
		I/O Port
Module Name	Pin Function	PF3DDR
Bus controller	A19 output	—

**(6) PF2/A18**

The pin function is always address output.

		Setting
		I/O Port
Module Name	Pin Function	PF2DDR
Bus controller	A18 output	—

**(7) PF1/A17**

The pin function is always address output.

		Setting
		I/O Port
Module Name	Pin Function	PF1DDR
Bus controller	A17 output	—

**(8) PF0/A16**

The pin function is always address output.

		Setting
		I/O Port
Module Name	Pin Function	PF0DDR
Bus controller	A16 output	—

### 9.2.11 Port H

#### (1) PH7/D7, PH6/D6, PH5/D5, PH4/D4, PH3/D3, PH2/D2, PH1/D1, PH0/D0

The pin function is always data input/output.

Module Name	Pin Function	Setting
		I/O Port
		PHnDDR
Bus controller	Data I/O (initial setting)	—

### 9.2.12 Port I

#### (1) PI7/D15, PI6/D14, PI5/D13, PI4/D12, PI3/D11, PI2/D10, PI1/D9, PI0/D8

The pin function is switched as shown below according to the combination of operating mode, bus mode, and the PInDDR bit settings.

Module Name	Pin Function	Setting	
		Bus Controller	I/O Port
		16-Bit Bus Mode	PInDDR
Bus controller	Data I/O (mode 4 initial setting)	1	—
I/O port	PI <sub>n</sub> output	0	1
	PI <sub>n</sub> input (mode 5 initial setting)	0	0

[Legend]

n = 0 to 7

**Table 9.5 Available Output Signals and Settings in Each Port**

Port	Output Specification Signal Name	Output Signal Name	Signal Selection Register Settings	Peripheral Module Settings
P1	6	$\overline{\text{DACK1A\_OE}}$	$\overline{\text{DACK1}}$	PF <sub>CR7</sub> .DMAS1[A,B] = 00 DACR.AMS = 1, DMDR.DACKE = 1
		SCK3_OE	SCK3	When SCMR_3.SMIF = 1: SCR_3.TE = 1 or SCR_3.RE = 1 while SMR_3.GM = 0, SCR_3.CKE [1, 0] = 01 or while SMR_3.GM = 1  When SCMR_3.SMIF = 0: SCR_3.TE = 1 or SCR_3.RE = 1 while SMR_3.C/A = 0, SCR_3.CKE [1, 0] = 01 or while SMR_3.C/A = 1, SCR_3.CKE 1 = 0
	5	$\overline{\text{TEND1A\_OE}}$	$\overline{\text{TEND1}}$	PF <sub>CR7</sub> .DMAS1[A,B] = 00 DMDR.TENDE = 1
	4	TxD3_OE	TxD3	SCR.TE = 1
	2	$\overline{\text{DACK0A\_OE}}$	$\overline{\text{DACK0}}$	PF <sub>CR7</sub> .DMAS0[A,B] = 00 DACR.AMS = 1, DMDR.DACKE = 1
		SCK2_OE	SCK2	When SCMR.SMIF = 1: SCR.TE = 1 or SCR.RE = 1 while SMR.GM = 0, SCR.CKE [1, 0] = 01 or while SMR.GM = 1  When SCMR.SMIF = 0: SCR.TE = 1 or SCR.RE = 1 while SMR.C/A = 0, SCR.CKE [1, 0] = 01 or while SMR.C/A = 1, SCR.CKE 1 = 0
	1	$\overline{\text{TEND0A\_OE}}$	$\overline{\text{TEND0}}$	PF <sub>CR7</sub> .DMAS0[A,B] = 00 DMDR.TENDE = 1
	0	TxD2_OE	TxD2	SCR.TE = 1
P2	7	TIOCB5_OE	TIOCB5	TPU.TIOR5.IOB3 = 0, TPU.TIOR5.IOB[1,0] = 01/10/11
		PO7_OE	PO7	NDERL.NDER7 = 1
6		TIOCA5_OE	TIOCA5	TPU.TIOR5.IOA3 = 0, TPU.TIOR5.IOA[1,0] = 01/10/11
		TMO1_OE	TMO1	TCSR.OS3,2 = 01/10/11 or TCSR.OS[1,0] = 01/10/11
		TxD1_OE	TxD1	SCR.TE = 1
		PO6_OE	PO6	NDERL.NDER6 = 1

Port	Output Specification Signal Name	Output Signal Name	Signal Selection Register Settings	Peripheral Module Settings
P2	5	TIOCA4_OE	TIOCA4	TPU.TIOR4.IOA3 = 0, TPU.TIOR4.IOA[1,0] = 01/10/11
		PO5_OE	PO5	NDERL.NDER5 = 1
4		TIOCB4_OE	TIOCB4	TPU.TIOR4.IOB3 = 0, TPU.TIOR4.IOB[1,0] = 01/10/11
		SCK1_OE	SCK1	When SCMR.SMIF = 1: SCR.TE = 1 or SCR.RE = 1 while SMR.GM = 0, SCR.CKE [1, 0] = 01 or while SMR.GM = 1  When SCMR.SMIF = 0: SCR.TE = 1 or SCR.RE = 1 while SMR.C/A = 0, SCR.CKE [1, 0] = 01 or while SMR.C/A = 1, SCR.CKE 1 = 0
		PO4_OE	PO4	NDERL.NDER4 = 1
3		TIOCD3_OE	TIOCD3	TPU.TMDR.BFB = 0, TPU.TIORL3.IOD3 = 0, TPU.TIORL3.IOD[1,0] = 01/10/11
		PO3_OE	PO3	NDERL.NDER3 = 1
2		TIOCC3_OE	TIOCC3	TPU.TMDR.BFA = 0, TPU.TIORL3.IOC3 = 0, TPU.TIORL3.IOD[1,0] = 01/10/11
		TMO0_OE	TMO0	TCSR.OS[3,2] = 01/10/11 or TCSR.OS[1,0] = 01/10/11
		TxD0_OE	TxD0	SCR.TE = 1
		PO2_OE	PO2	NDERL.NDER2 = 1
1		TIOCA3_OE	TIOCA3	TPU.TIORH3.IOA3 = 0, TPU.TIORH3.IOA[1,0] = 01/10/11
		PO1_OE	PO1	NDERL.NDER1 = 1
0		TIOCB3_OE	TIOCB3	TPU.TIORH3.IOB3 = 0, TPU.TIORH3.IOB[1,0] = 01/10/11
		SCK0_OE	SCK0	When SCMR.SMIF = 1: SCR.TE = 1 or SCR.RE = 1 while SMR.GM = 0, SCR.CKE [1, 0] = 01 or while SMR.GM = 1  When SCMR.SMIF = 0: SCR.TE = 1 or SCR.RE = 1 while SMR.C/A = 0, SCR.CKE [1, 0] = 01 or while SMR.C/A = 1, SCR.CKE 1 = 0
		PO0_OE	PO0	NDERL.NDER0 = 1

Port	Output Specification Signal Name	Output Signal Name	Signal Selection Register Settings	Peripheral Module Settings
P3	7	TIOCB2_OE	TIOCB2	TPU.TIOR2.IOB3 = 0, TPU.TIOR2.IOB[1,0] = 01/10/11
		PO15_OE	PO15	NDERH.NDER15 = 1
	6	TIOCA2_OE	TIOCA2	TPU.TIOR2.IOA3 = 0, TPU.TIOR2.IOA[1,0] = 01/10/11
		PO14_OE	PO14	NDERH.NDER14 = 1
5		$\overline{\text{DACK1B}}_{\text{OE}}$	$\overline{\text{DACK1}}$	PFCR7.DMAS1[A,B] = 01 DACR.AMS = 1, DMDR.DACKE = 1
		TIOCB1_OE	TIOCB1	TPU.TIOR1.IOB3 = 0, TPU.TIOR1.IOB[1,0] = 01/10/11
		PO13_OE	PO13	NDERH.NDER13 = 1
4		$\overline{\text{TEND1B}}_{\text{OE}}$	$\overline{\text{TEND1}}$	PFCR7.DMAS1[A,B] = 01 DMDR.TENDE = 1
		TIOCA1_OE	TIOCA1	TPU.TIOR1.IOA3 = 0, TPU.TIOR1.IOA[1,0] = 01/10/11
		PO12_OE	PO12	NDERH.NDER12 = 1
3		TIOCD0_OE	TIOCD0	TPU.TMDR.BFB = 0, TPU.TIORL0.IOD3 = 0, TPU.TIORL0.IOD[1,0] = 01/10/11
		PO11_OE	PO11	NDERH.NDER11 = 1
2		$\overline{\text{DACK0B}}_{\text{OE}}$	$\overline{\text{DACK0}}$	PFCR7.DMAS0[A,B] = 01 DACR.AMS = 1, DMDR.DACKE = 1
		TIOCC0_OE	TIOCC0	TPU.TMDR.BFA = 0, TPU.TIORL0.IOC3 = 0, TPU.TIORL0.IOD[1,0] = 01/10/11
		PO10_OE	PO10	NDERH.NDER10 = 1
1		$\overline{\text{TEND0B}}_{\text{OE}}$	$\overline{\text{TEND0}}$	PFCR7.DMAS0[A,B] = 01 DMDR.TENDE = 1
		TIOCB0_OE	TIOCB0	TPU.TIORH0.IOB3 = 0, TPU.TIORH0.IOB[1,0] = 01/10/11
		PO9_OE	PO9	NDERH.NDER9 = 1
0		TIOCA0_OE	TIOCA0	TPU.TIORH0.IOA3 = 0, TPU.TIORH0.IOA[1,0] = 01/10/11
		PO8_OE	PO8	NDERH.NDER8 = 1

Port	Output Specification Signal Name	Output Signal Name	Signal Selection Register Settings	Peripheral Module Settings
P6	5	$\overline{\text{DACK3\_OE}}$	$\overline{\text{DACK3}}$	PFCR7.DMAS3[A,B] = 01 DACR.AMS = 1, DMDR.DACKE = 1
		TMO3_OE	TMO3	TCSR.OS[3,2] = 01/10/11 or TCSR.OS[1,0] = 01/10/11
	4	$\overline{\text{TEND3\_OE}}$	$\overline{\text{TEND3}}$	PFCR7.DMAS3[A,B] = 01 DMDR.TENDE = 1
2		$\overline{\text{DACK2\_OE}}$	$\overline{\text{DACK2}}$	PFCR7.DMAS2[A,B] = 01 DACR.AMS = 1, DMDR.DACKE = 1
		TMO2_OE	TMO2	TCSR.OS[3,2] = 01/10/11 or TCSR.OS[1,0] = 01/10/11
		SCK4_OE	SCK4	When SCMR.SMIF = 1: SCR.TE = 1 or SCR.RE = 1 while SMR.GM = 0, SCR.CKE [1, 0] = 01 or while SMR.GM = 1 When SCMR.SMIF = 0: SCR.TE = 1 or SCR.RE = 1 while SMR.C/A = 0, SCR.CKE [1, 0] = 01 or while SMR.C/A = 1, SCR.CKE 1 = 0
1	$\overline{\text{TEND2\_OE}}$	$\overline{\text{TEND2}}$	PFCR7.DMAS2[A,B] = 01 DMDR.TENDE = 1	
0	TxD4_OE	TxD4	SCR.TE = 1	
PA	7	$\overline{\text{B}\phi\text{\_OE}}$	$\overline{\text{B}\phi}$	PADDR.PA7DDR = 1, SCKCR.POSEL1 = 0
	6	$\overline{\text{AH\_OE}}$	$\overline{\text{AH}}$	MPXCR.MPXEn (n = 7 to 3) = 1
		$\overline{\text{BS-B\_OE}}$	$\overline{\text{BS}}$	PFCR2.BSS = 1 PFCR2.BSE = 1
		$\overline{\text{AS\_OE}}$	$\overline{\text{AS}}$	PFCR2.ASOE = 1
	5	$\overline{\text{RD\_OE}}$	$\overline{\text{RD}}$	
	4	$\overline{\text{LUB\_OE}}$	$\overline{\text{LUB}}$	PFCR6.LHWROE = 1 or SRAMCR.BCSELn = 1
		$\overline{\text{LHWR\_OE}}$	$\overline{\text{LHWR}}$	PFCR6.LHWROE = 1
	3	$\overline{\text{LLB\_OE}}$	$\overline{\text{LLB}}$	SRAMCR.BCSELn = 1
		$\overline{\text{LLWR\_OE}}$	$\overline{\text{LLWR}}$	SRAMCR.BCSELn = 0
	1	$\overline{\text{BACK\_OE}}$	$\overline{\text{BACK}}$	BCR1.BRLE = 1
$\overline{\text{(RD/WR)\_OE}}$		$\overline{\text{RD/WR}}$	PFCR2.REWRE = 1 or SRAMCR.BCSELn = 1	
0	$\overline{\text{BS-A\_OE}}$	$\overline{\text{BS}}$	PFCR2.BSS = 0 PFCR2.BSE = 1	
	$\overline{\text{BREQO\_OE}}$	$\overline{\text{BREQO}}$	BCR1.BRLE = 1, BCR1.BREQOE = 1	

Port	Output Specification Signal Name	Output Signal Name	Signal Selection Register Settings	Peripheral Module Settings	
PB	3	$\overline{CS3\_OE}$	$\overline{CS3}$	PFCR0.CS3E = 1	
		$\overline{CS7A\_OE}$	$\overline{CS7}$	PFCR1.CS7S[A,B] = 00 PFCR0.CS7E = 1	
	2	$\overline{CS2A\_OE}$	$\overline{CS2}$	PFCR2.CS2S = 0 PFCR0.CS2E = 1	
		$\overline{CS6A\_OE}$	$\overline{CS6}$	PFCR1.CS6S[A,B] = 00 PFCR0.CS6E = 1	
	1	$\overline{CS1\_OE}$	$\overline{CS1}$	PFCR0.CS1E = 1	
		$\overline{CS2B\_OE}$	$\overline{CS2}$	PFCR2.CS2S = 1 PFCR0.CS2E = 1	
		$\overline{CS5A\_OE}$	$\overline{CS5}$	PFCR1.CS5S[A,B] = 00 PFCR0.CS5E = 1	
		$\overline{CS6B\_OE}$	$\overline{CS6}$	PFCR1.CS6S[A,B] = 01 PFCR0.CS6E = 1	
		$\overline{CS7B\_OE}$	$\overline{CS7}$	PFCR1.CS7S[A,B] = 01 PFCR0.CS7E = 1	
	0	$\overline{CS0\_OE}$	$\overline{CS0}$	PFCR0.CS0E = 1	
		$\overline{CS4A\_OE}$	$\overline{CS4}$	PFCR1.CS4S[A,B] = 00 PFCR0.CS4E = 1	
		$\overline{CS5B\_OE}$	$\overline{CS5}$	PFCR1.CS5S[A,B] = 01 PFCR0.CS5E = 1	
	PD	7	A7_OE	A7	
		6	A6_OE	A6	
5		A5_OE	A5		
4		A4_OE	A4		
3		A3_OE	A3		
2		A2_OE	A2		
1		A1_OE	A1		
0		A0_OE	A0		
PE	7	A15_OE	A15		
	6	A14_OE	A14		
	5	A13_OE	A13		
	4	A12_OE	A12		
	3	A11_OE	A11		
	2	A10_OE	A10		
	1	A9_OE	A9		
	0	A8_OE	A8		



Port		Output	Output	Signal Selection	Peripheral Module Settings
		Specification	Signal		
		Signal Name	Name		
PF	7	A23_OE	A23		PFCR4.A23E = 1
		$\overline{\text{CS4C}}_{\text{OE}}$	$\overline{\text{CS4}}$		PFCR1.CS4S[A,B] = 10 PFCR0.CS4E = 1
		$\overline{\text{CS5C}}_{\text{OE}}$	$\overline{\text{CS5}}$		PFCR1.CS5S[A,B] = 10 PFCR0.CS5E = 1
		$\overline{\text{CS6C}}_{\text{OE}}$	$\overline{\text{CS6}}$		PFCR1.CS6S[A,B] = 10 PFCR0.CS6E = 1
		$\overline{\text{CS7C}}_{\text{OE}}$	$\overline{\text{CS7}}$		PFCR1.CS7S[A,B] = 10 PFCR0.CS7E = 1
	6	A22_OE	A22		PFCR4.A22E = 1
		$\overline{\text{CS6D}}_{\text{OE}}$	$\overline{\text{CS6}}$		PFCR1.CS6S[A,B] = 11 PFCR0.CS6E = 1
	5	A21_OE	A21		PFCR4.A21E = 1
		$\overline{\text{CS5D}}_{\text{OE}}$	$\overline{\text{CS5}}$		PFCR1.CS5S[A,B] = 11 PFCR0.CS5E = 1
	4	A20_OE	A20		
	3	A19_OE	A19		
	2	A18_OE	A18		
	1	A17_OE	A17		
0	A16_OE	A16			
PH	7	D7_E	D7		
	6	D6_E	D6		
	5	D5_E	D5		
	4	D4_E	D4		
	3	D3_E	D3		
	2	D2_E	D2		
	1	D1_E	D1		
	0	D0_E	D0		
PI	7	D15_E	D15		ABWCR.ABW[H,L]n = 01
	6	D14_E	D14		ABWCR.ABW[H,L]n = 01
	5	D13_E	D13		ABWCR.ABW[H,L]n = 01
	4	D12_E	D12		ABWCR.ABW[H,L]n = 01
	3	D11_E	D11		ABWCR.ABW[H,L]n = 01
	2	D10_E	D10		ABWCR.ABW[H,L]n = 01
	1	D9_E	D9		ABWCR.ABW[H,L]n = 01
	0	D8_E	D8		ABWCR.ABW[H,L]n = 01

## 9.3 Port Function Controller

The port function controller controls the I/O ports.

The port function controller incorporates the following registers.

- Port function control register 0 (PFCR0)
- Port function control register 1 (PFCR1)
- Port function control register 2 (PFCR2)
- Port function control register 4 (PFCR4)
- Port function control register 6 (PFCR6)
- Port function control register 7 (PFCR7)
- Port function control register 9 (PFCR9)
- Port function control register B (PFCRB)
- Port function control register C (PFCRC)

### 9.3.1 Port Function Control Register 0 (PFCR0)

PFCR0 enables/disables the  $\overline{CS}$  output.

Bit	7	6	5	4	3	2	1	0
Bit Name	CS7E	CS6E	CS5E	CS4E	CS3E	CS2E	CS1E	CS0E
Initial Value	0	0	0	0	0	0	0	1
R/W	R/W	R/W	R/W	R/W	R/W	R/W	R/W	R/W

Bit	Bit Name	Initial Value	R/W	Description
7	CS7E	0	R/W	CS7 to CS0 Enable
6	CS6E	0	R/W	These bits enable/disable the corresponding $\overline{CSn}$ output.
5	CS5E	0	R/W	
4	CS4E	0	R/W	0: Pin functions as I/O port
3	CS3E	0	R/W	1: Pin functions as $\overline{CSn}$ output pin (n = 7 to 0)
2	CS2E	0	R/W	
1	CS1E	0	R/W	
0	CS0E	1	R/W	

### 9.3.2 Port Function Control Register 1 (PFCR1)

PFCR1 selects the  $\overline{CS}$  output pins.

Bit	7	6	5	4	3	2	1	0
Bit Name	CS7SA	CS7SB	CS6SA	CS6SB	CS5SA	CS5SB	CS4SA	CS4SB
Initial Value	0	0	0	0	0	0	0	0
R/W	R/W	R/W	R/W	R/W	R/W	R/W	R/W	R/W

Bit	Bit Name	Initial Value	R/W	Description
7	CS7SA*	0	R/W	$\overline{CS7}$ Output Pin Select
6	CS7SB*	0	R/W	Selects the output pin for $\overline{CS7}$ when $\overline{CS7}$ output is enabled (CS7E = 1) 00: Specifies pin PB3 as $\overline{CS7}$ -A output 01: Specifies pin PB1 as $\overline{CS7}$ -B output 10: Specifies pin PF7 as $\overline{CS7}$ -C output 11: Setting prohibited
5	CS6SA*	0	R/W	$\overline{CS6}$ Output Pin Select
4	CS6SB*	0	R/W	Selects the output pin for $\overline{CS6}$ when $\overline{CS6}$ output is enabled (CS6E = 1) 00: Specifies pin PB2 as $\overline{CS6}$ -A output 01: Specifies pin PB1 as $\overline{CS6}$ -B output 10: Specifies pin PF7 as $\overline{CS6}$ -C output 11: Specifies pin PF6 as $\overline{CS6}$ -D output
3	CS5SA*	0	R/W	$\overline{CS5}$ Output Pin Select
2	CS5SB*	0	R/W	Selects the output pin for $\overline{CS5}$ when $\overline{CS5}$ output is enabled (CS5E = 1) 00: Specifies pin PB1 as $\overline{CS5}$ -A output 01: Specifies pin PB0 as $\overline{CS5}$ -B output 10: Specifies pin PF7 as $\overline{CS5}$ -C output 11: Specifies pin PF5 as $\overline{CS5}$ -D output

Bit	Bit Name	Initial Value	R/W	Description
1	CS4SA*	0	R/W	$\overline{\text{CS4}}$ Output Pin Select
0	CS4SB*	0	R/W	Selects the output pin for $\overline{\text{CS4}}$ when $\overline{\text{CS4}}$ output is enabled (CS4E = 1) 00: Specifies pin PB0 as $\overline{\text{CS4}}$ -A output 01: Setting prohibited 10: Specifies pin PF7 as $\overline{\text{CS4}}$ -C output 11: Setting prohibited

Note: \* If multiple  $\overline{\text{CS}}$  outputs are specified to a single pin according to the  $\overline{\text{CSn}}$  output pin select bits (n=4 to 7), multiple  $\overline{\text{CS}}$  signals are output from the pin. For details, see section 6.5.3, Chip Select Signals.

### 9.3.3 Port Function Control Register 2 (PFCR2)

PFCR1 selects the  $\overline{\text{CS}}$  output pin, enables/disables bus control I/O, and selects the bus control I/O pins.

Bit	7	6	5	4	3	2	1	0
Bit Name	—	CS2S	BSS	BSE	—	RDWRE	ASOE	—
Initial Value	0	0	0	0	0	0	1	0
R/W	R/W	R/W	R/W	R/W	R/W	R/W	R/W	R/W

Bit	Bit Name	Initial Value	R/W	Description
7	—	0	R/W	Reserved This bit is always read as 0. The write value should always be 0.
6	CS2S* <sup>1</sup>	0	R/W	$\overline{\text{CS2}}$ Output Pin Select Selects the output pin for $\overline{\text{CS2}}$ when $\overline{\text{CS2}}$ output is enabled (CS2E = 1) 0: Specifies pin PB2 as $\overline{\text{CS2}}$ -A output pin 1: Specifies pin PB1 as $\overline{\text{CS2}}$ -B output pin

Bit	Bit Name	Initial Value	R/W	Description
5	BSS	0	R/W	$\overline{BS}$ Output Pin Select Selects the $\overline{BS}$ output pin 0: Specifies pin PA0 as $\overline{BS}$ -A output pin 1: Specifies pin PA6 as $\overline{BS}$ -B output pin
4	BSE	0	R/W	$\overline{BS}$ Output Enable Enables/disables the $\overline{BS}$ output 0: Disables the $\overline{BS}$ output 1: Enables the $\overline{BS}$ output
3	—	0	R/W	Reserved This bit is always read as 0. The write value should always be 0.
2	RD $\overline{WR}$ * <sup>2</sup>	0	R/W	RD $\overline{WR}$ Output Enable Enables/disables the RD $\overline{WR}$ output 0: Disables the RD $\overline{WR}$ output 1: Enables the RD $\overline{WR}$ output
1	ASOE	1	R/W	$\overline{AS}$ Output Enable Enables/disables the $\overline{AS}$ output 0: Specifies pin PA6 as I/O port 1: Specifies pin PA6 as $\overline{AS}$ output pin
0	—	0	R/W	Reserved This bit is always read as 0. The write value should always be 0.

- Notes:
1. If multiple  $\overline{CS}$  outputs are specified to a single pin according to the  $\overline{CS2}$  output pin select bit, multiple  $\overline{CS}$  signals are output from the pin. For details, see section 6.5.3, Chip Select Signals.
  2. If an area is specified as a byte control SDRAM space, the pin functions as RD $\overline{WR}$  output.

### 9.3.4 Port Function Control Register 4 (PFCR4)

PFCR4 enables/disables the address output.

Bit	7	6	5	4	3	2	1	0
Bit Name	A23E	A22E	A21E	—	—	—	—	—
Initial Value	0	0	0	1	1	1	1	1
R/W	R/W	R/W	R/W	R/W	R/W	R/W	R/W	R/W

Bit	Bit Name	Initial Value	R/W	Description
7	A23E	0	R/W	Address A23 Enable Enables/disables the address output (A23) 0: Disables the A23 output 1: Enables the A23 output
6	A22E	0	R/W	Address A22 Enable Enables/disables the address output (A22) 0: Disables the A22 output 1: Enables the A22 output
5	A21E	0	R/W	Address A21 Enable Enables/disables the address output (A21) 0: Disables the A21 output 1: Enables the A21 output
4 to 0	—	All 1	R/W	Reserved These bits are always read as 1. The write value should always be 1.

### 9.3.5 Port Function Control Register 6 (PFCR6)

PFCR6 selects the TPU clock input pin.

Bit	7	6	5	4	3	2	1	0
Bit Name	—	LHWROE	—	—	TCLKS	—	—	—
Initial Value	1	1	1	0	0	0	0	0
R/W	R/W	R/W	R/W	R	R/W	R/W	R/W	R/W

Bit	Bit Name	Initial Value	R/W	Description
7	—	1	R/W	Reserved This bit is always read as 1. The write value should always be 1.
6	LHWROE	1	R/W	$\overline{\text{LHWR}}$ Output Enable Enables/disables $\overline{\text{LHWR}}$ output (valid in external extended mode). 0: Specifies pin PA4 as I/O port 1: Specifies pin PA4 as $\overline{\text{LHWR}}$ output pin
5	—	1	R/W	Reserved This bit is always read as 1. The write value should always be 1.
4	—	0	R	Reserved This is a read-only bit and cannot be modified.
3	TCLKS	0	R/W	TPU External Clock Input Pin Select Selects the TPU external clock input pins. 0: Specifies pins P32, P33, P35, and P37 as external clock inputs 1: Specifies pins P14 to P17 as external clock inputs
2 to 0	—	All 0	R/W	Reserved These bits are always read as 0. The write value should always be 0.

### 9.3.6 Port Function Control Register 7 (PFCR7)

PFCR7 selects the DMAC I/O pins ( $\overline{\text{DREQ}}$ ,  $\overline{\text{DACK}}$ , and  $\overline{\text{TEND}}$ ).

Bit	7	6	5	4	3	2	1	0
Bit Name	DMAS3A	DMAS3B	DMAS2A	DMAS2B	DMAS1A	DMAS1B	DMAS0A	DMAS0B
Initial Value	0	0	0	0	0	0	0	0
R/W	R/W	R/W	R/W	R/W	R/W	R/W	R/W	R/W

Bit	Bit Name	Initial Value	R/W	Description
7	DMAS3A	0	R/W	DMAC Control Pin Select
6	DMAS3B	0	R/W	Selects the I/O port to control DMAC_3. 00: Setting prohibited 01: Specifies pins P63 to P65 as DMAC control pins 10: Setting prohibited 11: Setting prohibited
5	DMAS2A	0	R/W	DMAC Control Pin Select
4	DMAS2B	0	R/W	Selects the I/O port to control DMAC_2. 00: Setting prohibited 01: Specifies pins P60 to P62 as DMAC control pins 10: Setting prohibited 11: Setting prohibited
3	DMAS1A	0	R/W	DMAC Control Pin Select
2	DMAS1B	0	R/W	Selects the I/O port to control DMAC_1. 00: Specifies pins P14 to P16 as DMAC control pins 01: Specifies pins P33 to P35 as DMAC control pins 10: Setting prohibited 11: Setting prohibited
1	DMAS0A	0	R/W	DMAC Control Pin Select
0	DMAS0B	0	R/W	Selects the I/O port to control DMAC_0. 00: Specifies pins P10 to P12 as DMAC control pins 01: Specifies pins P30 to P32 as DMAC control pins 10: Setting prohibited 11: Setting prohibited



### 9.3.7 Port Function Control Register 9 (PFCR9)

PFCR9 selects the multiple functions for the TPU I/O pins.

Bit	7	6	5	4	3	2	1	0
Bit Name	TPUMS5	TPUMS4	TPUMS3A	TPUMS3B	TPUMS2	TPUMS1	TPUMS0A	TPUMS0B
Initial Value	0	0	0	0	0	0	0	0
R/W	R/W	R/W	R/W	R/W	R/W	R/W	R/W	R/W

Bit	Bit Name	Initial Value	R/W	Description
7	TPUMS5	0	R/W	TPU I/O Pin Multiplex Function Select Selects TIOCA5 function 0: Specifies pin P26 as output compare output and input capture 1: Specifies P27 as input capture input and P26 as output compare
6	TPUMS4	0	R/W	TPU I/O Pin Multiplex Function Select Selects TIOCA4 function 0: Specifies P25 as output compare output and input capture 1: Specifies P24 as input capture input and P25 as output compare
5	TPUMS3A	0	R/W	TPU I/O Pin Multiplex Function Select Selects TIOCA3 function 0: Specifies P21 as output compare output and input capture 1: Specifies P20 as input capture input and P21 as output compare
4	TPUMS3B	0	R/W	TPU I/O Pin Multiplex Function Select Selects TIOCC3 function 0: Specifies P22 as output compare output and input capture 1: Specifies P23 as input capture input and P22 as output compare

Bit	Bit Name	Initial Value	R/W	Description
3	TPUMS2	0	R/W	<p>TPU I/O Pin Multiplex Function Select</p> <p>Selects TIOCA2 function</p> <p>0: Specifies P36 as output compare output and input capture</p> <p>1: Specifies P37 as input capture input and P36 as output compare</p>
2	TPUMS1	0	R/W	<p>TPU I/O Pin Multiplex Function Select</p> <p>Selects TIOCA1 function</p> <p>0: Specifies P34 as output compare output and input capture</p> <p>1: Specifies P35 as input capture input and P34 as output compare</p>
1	TPUMS0A	0	R/W	<p>TPU I/O Pin Multiplex Function Select</p> <p>Selects TIOCA0 function</p> <p>0: Specifies P30 as output compare output and input capture</p> <p>1: Specifies P31 as input capture input and P30 as output compare</p>
0	TPUMS0B	0	R/W	<p>TPU I/O Pin Multiplex Function Select</p> <p>Selects TIOCC0 function</p> <p>0: Specifies P32 as output compare output and input capture</p> <p>1: Specifies P33 as input capture input and P32 as output compare</p>

### 9.3.8 Port Function Control Register B (PFCRB)

PFCRB selects the input pins for  $\overline{\text{IRQ11}}$  to  $\overline{\text{IRQ8}}$ .

Bit	7	6	5	4	3	2	1	0
Bit Name	—	—	—	—	ITS11	ITS10	ITS9	ITS8
Initial Value	0	0	0	0	0	0	0	0
R/W	R/W	R/W	R/W	R/W	R/W	R/W	R/W	R/W

Bit	Bit Name	Initial Value	R/W	Description
7 to 4	—	All 0	R/W	Reserved These bits are always read as 0. The write value should always be 0.
3	ITS11	0	R/W	$\overline{\text{IRQ11}}$ Pin Select Selects an input pin for $\overline{\text{IRQ11}}$ . 0: Selects pin P23 as $\overline{\text{IRQ11}}$ -A input 1: Selects pin P63 as $\overline{\text{IRQ11}}$ -B input
2	ITS10	0	R/W	$\overline{\text{IRQ10}}$ Pin Select Selects an input pin for $\overline{\text{IRQ10}}$ . 0: Selects pin P22 as $\overline{\text{IRQ10}}$ -A input 1: Selects pin P62 as $\overline{\text{IRQ10}}$ -B input
1	ITS9	0	R/W	$\overline{\text{IRQ9}}$ Pin Select Selects an input pin for $\overline{\text{IRQ9}}$ . 0: Selects pin P21 as $\overline{\text{IRQ9}}$ -A input 1: Selects pin P61 as $\overline{\text{IRQ9}}$ -B input
0	ITS8	0	R/W	$\overline{\text{IRQ8}}$ Pin Select Selects an input pin for $\overline{\text{IRQ8}}$ . 0: Selects pin P20 as $\overline{\text{IRQ8}}$ -A input 1: Selects pin P60 as $\overline{\text{IRQ8}}$ -B input

### 9.3.9 Port Function Control Register C (PFCRC)

PFCRC selects input pins for  $\overline{\text{IRQ7}}$  to  $\overline{\text{IRQ0}}$ .

Bit	7	6	5	4	3	2	1	0
Bit Name	ITS7	ITS6	ITS5	ITS4	ITS3	ITS2	ITS1	ITS0
Initial Value	0	0	0	0	0	0	0	0
R/W	R/W	R/W	R/W	R/W	R/W	R/W	R/W	R/W

Bit	Bit Name	Initial Value	R/W	Description
7	ITS7	0	R/W	$\overline{\text{IRQ7}}$ Pin Select Selects an input pin for $\overline{\text{IRQ7}}$ . 0: Selects pin P17 as $\overline{\text{IRQ7}}$ -A input 1: Selects pin P57 as $\overline{\text{IRQ7}}$ -B output
6	ITS6	0	R/W	$\overline{\text{IRQ6}}$ Pin Select Selects an input pin for $\overline{\text{IRQ6}}$ . 0: Selects pin P16 as $\overline{\text{IRQ6}}$ -A input 1: Selects pin P56 as $\overline{\text{IRQ6}}$ -B output
5	ITS5	0	R/W	$\overline{\text{IRQ5}}$ Pin Select Selects an input pin for $\overline{\text{IRQ5}}$ . 0: Selects pin P15 as $\overline{\text{IRQ5}}$ -A input 1: Selects pin P55 as $\overline{\text{IRQ5}}$ -B output
4	ITS4	0	R/W	$\overline{\text{IRQ4}}$ Pin Select Selects an input pin for $\overline{\text{IRQ4}}$ . 0: Selects pin P14 as $\overline{\text{IRQ4}}$ -A input 1: Selects pin P54 as $\overline{\text{IRQ4}}$ -B output
3	ITS3	0	R/W	$\overline{\text{IRQ3}}$ Pin Select Selects an input pin for $\overline{\text{IRQ3}}$ . 0: Selects pin P13 as $\overline{\text{IRQ3}}$ -A input 1: Selects pin P53 as $\overline{\text{IRQ3}}$ -B output

---

Bit	Bit Name	Initial Value	R/W	Description
2	ITS2	0	R/W	$\overline{\text{IRQ2}}$ Pin Select Selects an input pin for $\overline{\text{IRQ2}}$ . 0: Selects pin P12 as $\overline{\text{IRQ2}}$ -A input 1: Selects pin P52 as $\overline{\text{IRQ2}}$ -B output
1	ITS1	0	R/W	$\overline{\text{IRQ1}}$ Pin Select Selects an input pin for $\overline{\text{IRQ1}}$ . 0: Selects pin P11 as $\overline{\text{IRQ1}}$ -A input 1: Selects pin P51 as $\overline{\text{IRQ1}}$ -B output
0	ITS0	0	R/W	$\overline{\text{IRQ0}}$ Pin Select Selects an input pin for $\overline{\text{IRQ0}}$ . 0: Selects pin P10 as $\overline{\text{IRQ0}}$ -A input 1: Selects pin P50 as $\overline{\text{IRQ0}}$ -B output

---

## 9.4 Usage Notes

### 9.4.1 Notes on Input Buffer Control Register (ICR) Setting

1. When changing the ICR setting, the LSI may malfunction due to an edge that is internally generated according to the pin states. To change the ICR setting, fix the pin high or disable the input function by setting the peripheral module allocated to the corresponding pin.
2. If an input is enabled by setting ICR while multiple input functions are assigned to the pin, the pin state is reflected in all the inputs. Care must be taken for each module settings for unused input functions.
3. When a pin is used as an output, data to be output from the pin will be latched as the pin state if the input by the ICR setting is enabled. To use the pin as an output, disable the input function for the pin by setting ICR.

### 9.4.2 Notes on Port Function Control Register (PFCR) Settings

1. The port function controller controls the I/O ports. To set the input/output to each pin, select the input/output destination and then enable input/output.
2. When changing the input pin, an edge may be generated if the previous pin level differs from the pin level after the change, causing an unintended malfunction. To change the input pin, follow the procedure below.
  - A. Disable the input function by the setting of the peripheral module corresponding to the pin to be changed.
  - B. Select the input pin by the setting of PFCR.
  - C. Enable the input function by the setting of the peripheral module corresponding to the pin to be changed.
3. If a pin function has both a selection bit that modifies the input/output destination and an enable bit that enables the pin function, first specify the input/output destination by the selection bit and then enable the pin function by the enable bit.

## Section 10 16-Bit Timer Pulse Unit (TPU)

This LSI has an on-chip 16-bit timer pulse unit (TPU) that comprises six 16-bit timer channels.

Table 10.1 lists the 16-bit timer unit functions and figure 10.1 is a block diagram.

### 10.1 Features

- Maximum 16-pulse input/output
- Selection of eight counter input clocks for each channel
- The following operations can be set for each channel:
  - Waveform output at compare match
  - Input capture function
  - Counter clear operation
  - Synchronous operations:
    - Multiple timer counters (TCNT) can be written to simultaneously
    - Simultaneous clearing by compare match and input capture possible
    - Simultaneous input/output for registers possible by counter synchronous operation
    - Maximum of 15-phase PWM output possible by combination with synchronous operation
- Buffer operation settable for channels 0 and 3
- Phase counting mode settable independently for each of channels 1, 2, 4, and 5
- Cascaded operation
- Fast access via internal 16-bit bus
- 26 interrupt sources
- Automatic transfer of register data
- Programmable pulse generator (PPG) output trigger can be generated
- Conversion start trigger for the A/D converter can be generated
- Module stop mode can be set

**Table 10.1 TPU Functions**

Item	Channel 0	Channel 1	Channel 2	Channel 3	Channel 4	Channel 5
Count clock	P $\phi$ /1	P $\phi$ /1	P $\phi$ /1	P $\phi$ /1	P $\phi$ /1	P $\phi$ /1
	P $\phi$ /4	P $\phi$ /4	P $\phi$ /4	P $\phi$ /4	P $\phi$ /4	P $\phi$ /4
	P $\phi$ /16	P $\phi$ /16	P $\phi$ /16	P $\phi$ /16	P $\phi$ /16	P $\phi$ /16
	P $\phi$ /64	P $\phi$ /64	P $\phi$ /64	P $\phi$ /64	P $\phi$ /64	P $\phi$ /64
	TCLKA	P $\phi$ /256	P $\phi$ /1024	P $\phi$ /256	P $\phi$ /1024	P $\phi$ /256
	TCLKB	TCLKA	TCLKA	P $\phi$ /1024	TCLKA	TCLKA
	TCLKC	TCLKB	TCLKB	P $\phi$ /4096	TCLKC	TCLKC
TCLKD	TCNT2	TCLKC	TCLKA	TCNT5	TCLKD	
General registers (TGR)	TGRA_0	TGRA_1	TGRA_2	TGRA_3	TGRA_4	TGRA_5
	TGRB_0	TGRB_1	TGRB_2	TGRB_3	TGRB_4	TGRB_5
General registers/ buffer registers	TGRC_0	—	—	TGRC_3	—	—
	TGRD_0			TGRD_3		
I/O pins	TIOCA0	TIOCA1	TIOCA2	TIOCA3	TIOCA4	TIOCA5
	TIOCB0	TIOCB1	TIOCB2	TIOCB3	TIOCB4	TIOCB5
	TIOCC0			TIOCC3		
	TIOCD0			TIOCD3		
Counter clear function	TGR compare match or input capture	TGR compare match or input capture	TGR compare match or input capture	TGR compare match or input capture	TGR compare match or input capture	TGR compare match or input capture
Compare match output	0 output	O	O	O	O	O
	1 output	O	O	O	O	O
	Toggle output	O	O	O	O	O
Input capture function	O	O	O	O	O	O
Synchronous operation	O	O	O	O	O	O
PWM mode	O	O	O	O	O	O
Phase counting mode	—	O	O	—	O	O
Buffer operation	O	—	—	O	—	—



Item	Channel 0	Channel 1	Channel 2	Channel 3	Channel 4	Channel 5
DTC activation	TGR compare match or input capture	TGR compare match or input capture	TGR compare match or input capture	TGR compare match or input capture	TGR compare match or input capture	TGR compare match or input capture
DMAC activation	TGRA_0 compare match or input capture	TGRA_1 compare match or input capture	TGRA_2 compare match or input capture	TGRA_3 compare match or input capture	TGRA_4 compare match or input capture	TGRA_5 compare match or input capture
A/D converter trigger	TGRA_0 compare match or input capture	TGRA_1 compare match or input capture	TGRA_2 compare match or input capture	TGRA_3 compare match or input capture	TGRA_4 compare match or input capture	TGRA_5 compare match or input capture
PPG trigger	TGRA_0/ TGRB_0 compare match or input capture	TGRA_1/ TGRB_1 compare match or input capture	TGRA_2/ TGRB_2 compare match or input capture	TGRA_3/ TGRB_3 compare match or input capture	—	—
Interrupt sources	5 sources  Compare match or input capture 0A  Compare match or input capture 0B  Compare match or input capture 0C  Compare match or input capture 0D  Overflow	4 sources  Compare match or input capture 1A  Compare match or input capture 1B  Overflow Underflow	4 sources  Compare match or input capture 2A  Compare match or input capture 2B  Overflow Underflow	5 sources  Compare match or input capture 3A  Compare match or input capture 3B  Compare match or input capture 3C  Compare match or input capture 3D  Overflow	4 sources  Compare match or input capture 4A  Compare match or input capture 4B  Overflow Underflow	4 sources  Compare match or input capture 5A  Compare match or input capture 5B  Overflow Underflow

## [Legend]

○ : Possible

— : Not possible

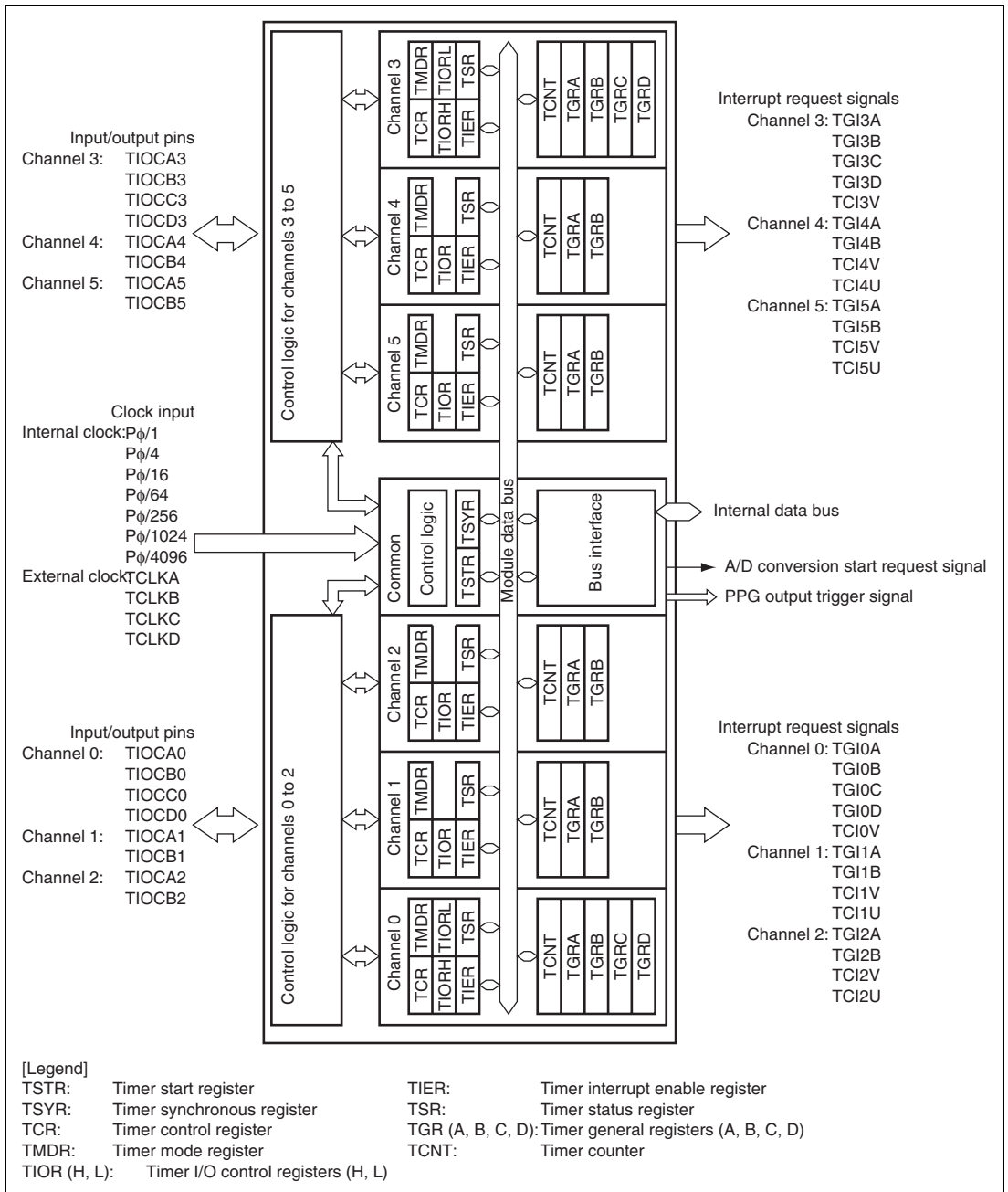


Figure 10.1 Block Diagram of TPU

## 10.2 Input/Output Pins

Table 10.2 shows TPU pin configurations.

**Table 10.2 Pin Configuration**

Channel	Symbol	I/O	Function
All	TCLKA	Input	External clock A input pin (Channel 1 and 5 phase counting mode A phase input)
	TCLKB	Input	External clock B input pin (Channel 1 and 5 phase counting mode B phase input)
	TCLKC	Input	External clock C input pin (Channel 2 and 4 phase counting mode A phase input)
	TCLKD	Input	External clock D input pin (Channel 2 and 4 phase counting mode B phase input)
0	TIOCA0	I/O	TGRA_0 input capture input/output compare output/PWM output pin
	TIOCB0	I/O	TGRB_0 input capture input/output compare output/PWM output pin
	TIOCC0	I/O	TGRC_0 input capture input/output compare output/PWM output pin
	TIOCD0	I/O	TGRD_0 input capture input/output compare output/PWM output pin
1	TIOCA1	I/O	TGRA_1 input capture input/output compare output/PWM output pin
	TIOCB1	I/O	TGRB_1 input capture input/output compare output/PWM output pin
2	TIOCA2	I/O	TGRA_2 input capture input/output compare output/PWM output pin
	TIOCB2	I/O	TGRB_2 input capture input/output compare output/PWM output pin
3	TIOCA3	I/O	TGRA_3 input capture input/output compare output/PWM output pin
	TIOCB3	I/O	TGRB_3 input capture input/output compare output/PWM output pin
	TIOCC3	I/O	TGRC_3 input capture input/output compare output/PWM output pin
	TIOCD3	I/O	TGRD_3 input capture input/output compare output/PWM output pin
4	TIOCA4	I/O	TGRA_4 input capture input/output compare output/PWM output pin
	TIOCB4	I/O	TGRB_4 input capture input/output compare output/PWM output pin
5	TIOCA5	I/O	TGRA_5 input capture input/output compare output/PWM output pin
	TIOCB5	I/O	TGRB_5 input capture input/output compare output/PWM output pin

## 10.3 Register Descriptions

The TPU has the following registers in each channel.

### Channel 0:

- Timer control register\_0 (TCR\_0)
- Timer mode register\_0 (TMDR\_0)
- Timer I/O control register H\_0 (TIORH\_0)
- Timer I/O control register L\_0 (TIORL\_0)
- Timer interrupt enable register\_0 (TIER\_0)
- Timer status register\_0 (TSR\_0)
- Timer counter\_0 (TCNT\_0)
- Timer general register A\_0 (TGRA\_0)
- Timer general register B\_0 (TGRB\_0)
- Timer general register C\_0 (TGRC\_0)
- Timer general register D\_0 (TGRD\_0)

### Channel 1:

- Timer control register\_1 (TCR\_1)
- Timer mode register\_1 (TMDR\_1)
- Timer I/O control register\_1 (TIOR\_1)
- Timer interrupt enable register\_1 (TIER\_1)
- Timer status register\_1 (TSR\_1)
- Timer counter\_1 (TCNT\_1)
- Timer general register A\_1 (TGRA\_1)
- Timer general register B\_1 (TGRB\_1)

**Channel 2:**

- Timer control register\_2 (TCR\_2)
- Timer mode register\_2 (TMDR\_2)
- Timer I/O control register\_2 (TIOR\_2)
- Timer interrupt enable register\_2 (TIER\_2)
- Timer status register\_2 (TSR\_2)
- Timer counter\_2 (TCNT\_2)
- Timer general register A\_2 (TGRA\_2)
- Timer general register B\_2 (TGRB\_2)

**Channel 3:**

- Timer control register\_3 (TCR\_3)
- Timer mode register\_3 (TMDR\_3)
- Timer I/O control register H\_3 (TIORH\_3)
- Timer I/O control register L\_3 (TIORL\_3)
- Timer interrupt enable register\_3 (TIER\_3)
- Timer status register\_3 (TSR\_3)
- Timer counter\_3 (TCNT\_3)
- Timer general register A\_3 (TGRA\_3)
- Timer general register B\_3 (TGRB\_3)
- Timer general register C\_3 (TGRC\_3)
- Timer general register D\_3 (TGRD\_3)

**Channel 4:**

- Timer control register\_4 (TCR\_4)
- Timer mode register\_4 (TMDR\_4)
- Timer I/O control register\_4 (TIOR\_4)
- Timer interrupt enable register\_4 (TIER\_4)
- Timer status register\_4 (TSR\_4)
- Timer counter\_4 (TCNT\_4)
- Timer general register A\_4 (TGRA\_4)
- Timer general register B\_4 (TGRB\_4)

### **Channel 5:**

- Timer control register\_5 (TCR\_5)
- Timer mode register\_5 (TMDR\_5)
- Timer I/O control register\_5 (TIOR\_5)
- Timer interrupt enable register\_5 (TIER\_5)
- Timer status register\_5 (TSR\_5)
- Timer counter\_5 (TCNT\_5)
- Timer general register A\_5 (TGRA\_5)
- Timer general register B\_5 (TGRB\_5)

### **Common Registers:**

- Timer start register (TSTR)
- Timer synchronous register (TSYR)

### 10.3.1 Timer Control Register (TCR)

TCR controls the TCNT operation for each channel. The TPU has a total of six TCR registers, one for each channel. TCR register settings should be made only while TCNT operation is stopped.

Bit	7	6	5	4	3	2	1	0
Bit Name	CCLR2	CCLR1	CCLR0	CKEG1	CKEG0	TPSC2	TPSC1	TPSC0
Initial Value	0	0	0	0	0	0	0	0
R/W	R/W	R/W	R/W	R/W	R/W	R/W	R/W	R/W

Bit	Bit Name	Initial Value	R/W	Description
7	CCLR2	0	R/W	Counter Clear 2 to 0
6	CCLR1	0	R/W	These bits select the TCNT counter clearing source. See tables 10.3 and 10.4 for details.
5	CCLR0	0	R/W	
4	CKEG1	0	R/W	Clock Edge 1 and 0
3	CKEG0	0	R/W	These bits select the input clock edge. For details, see table 10.5. When the input clock is counted using both edges, the input clock period is halved (e.g. $P\phi/4$ both edges = $P\phi/2$ rising edge). If phase counting mode is used on channels 1, 2, 4, and 5, this setting is ignored and the phase counting mode setting has priority. Internal clock edge selection is valid when the input clock is $P\phi/4$ or slower. This setting is ignored if the input clock is $P\phi/1$ , or when overflow/underflow of another channel is selected.
2	TPSC2	0	R/W	
1	TPSC1	0	R/W	These bits select the TCNT counter clock. The clock source can be selected independently for each channel. See tables 10.6 to 10.11 for details. To select the external clock as the clock source, the DDR bit and ICR bit for the corresponding pin should be set to 0 and 1, respectively. For details, see section 9, I/O Ports.
0	TPSC0	0	R/W	

**Table 10.3 CCLR2 to CCLR0 (Channels 0 and 3)**

Channel	Bit 7 CCLR2	Bit 6 CCLR1	Bit 5 CCLR0	Description
0, 3	0	0	0	TCNT clearing disabled
	0	0	1	TCNT cleared by TGRA compare match/input capture
	0	1	0	TCNT cleared by TGRB compare match/input capture
	0	1	1	TCNT cleared by counter clearing for another channel performing synchronous clearing/synchronous operation* <sup>1</sup>
	1	0	0	TCNT clearing disabled
	1	0	1	TCNT cleared by TGRC compare match/input capture* <sup>2</sup>
	1	1	0	TCNT cleared by TGRD compare match/input capture* <sup>2</sup>
	1	1	1	TCNT cleared by counter clearing for another channel performing synchronous clearing/synchronous operation* <sup>1</sup>

- Notes: 1. Synchronous operation is selected by setting the SYNC bit in TSYR to 1.  
 2. When TGRC or TGRD is used as a buffer register, TCNT is not cleared because the buffer register setting has priority, and compare match/input capture does not occur.

**Table 10.4 CCLR2 to CCLR0 (Channels 1, 2, 4, and 5)**

Channel	Bit 7 Reserved * <sup>2</sup>	Bit 6 CCLR1	Bit 5 CCLR0	Description
1, 2, 4, 5	0	0	0	TCNT clearing disabled
	0	0	1	TCNT cleared by TGRA compare match/input capture
	0	1	0	TCNT cleared by TGRB compare match/input capture
	0	1	1	TCNT cleared by counter clearing for another channel performing synchronous clearing/synchronous operation* <sup>1</sup>

- Notes: 1. Synchronous operation is selected by setting the SYNC bit in TSYR to 1.  
 2. Bit 7 is reserved in channels 1, 2, 4, and 5. It is always read as 0 and cannot be modified.



**Table 10.5 Input Clock Edge Selection**

Clock Edge Selection		Input Clock	
CKEG1	CKEG0	Internal Clock	External Clock
0	0	Counted at falling edge	Counted at rising edge
0	1	Counted at rising edge	Counted at falling edge
1	X	Counted at both edges	Counted at both edges

[Legend]

X: Don't care

**Table 10.6 TPSC2 to TPSC0 (Channel 0)**

Channel	Bit 2 TPSC2	Bit 1 TPSC1	Bit 0 TPSC0	Description
0	0	0	0	Internal clock: counts on P $\phi$ /1
	0	0	1	Internal clock: counts on P $\phi$ /4
	0	1	0	Internal clock: counts on P $\phi$ /16
	0	1	1	Internal clock: counts on P $\phi$ /64
	1	0	0	External clock: counts on TCLKA pin input
	1	0	1	External clock: counts on TCLKB pin input
	1	1	0	External clock: counts on TCLKC pin input
	1	1	1	External clock: counts on TCLKD pin input

**Table 10.7 TPSC2 to TPSC0 (Channel 1)**

Channel	Bit 2 TPSC2	Bit 1 TPSC1	Bit 0 TPSC0	Description
1	0	0	0	Internal clock: counts on P $\phi$ /1
	0	0	1	Internal clock: counts on P $\phi$ /4
	0	1	0	Internal clock: counts on P $\phi$ /16
	0	1	1	Internal clock: counts on P $\phi$ /64
	1	0	0	External clock: counts on TCLKA pin input
	1	0	1	External clock: counts on TCLKB pin input
	1	1	0	Internal clock: counts on P $\phi$ /256
	1	1	1	Counts on TCNT2 overflow/underflow

Note: This setting is ignored when channel 1 is in phase counting mode.

**Table 10.8 TPSC2 to TPSC0 (Channel 2)**

Channel	Bit 2 TPSC2	Bit 1 TPSC1	Bit 0 TPSC0	Description
2	0	0	0	Internal clock: counts on P $\phi$ /1
	0	0	1	Internal clock: counts on P $\phi$ /4
	0	1	0	Internal clock: counts on P $\phi$ /16
	0	1	1	Internal clock: counts on P $\phi$ /64
	1	0	0	External clock: counts on TCLKA pin input
	1	0	1	External clock: counts on TCLKB pin input
	1	1	0	External clock: counts on TCLKC pin input
	1	1	1	Internal clock: counts on P $\phi$ /1024

Note: This setting is ignored when channel 2 is in phase counting mode.

**Table 10.9 TPSC2 to TPSC0 (Channel 3)**

Channel	Bit 2 TPSC2	Bit 1 TPSC1	Bit 0 TPSC0	Description
3	0	0	0	Internal clock: counts on P $\phi$ /1
	0	0	1	Internal clock: counts on P $\phi$ /4
	0	1	0	Internal clock: counts on P $\phi$ /16
	0	1	1	Internal clock: counts on P $\phi$ /64
	1	0	0	External clock: counts on TCLKA pin input
	1	0	1	Internal clock: counts on P $\phi$ /1024
	1	1	0	Internal clock: counts on P $\phi$ /256
	1	1	1	Internal clock: counts on P $\phi$ /4096

**Table 10.10 TPSC2 to TPSC0 (Channel 4)**

Channel	Bit 2 TPSC2	Bit 1 TPSC1	Bit 0 TPSC0	Description
4	0	0	0	Internal clock: counts on P $\phi$ /1
	0	0	1	Internal clock: counts on P $\phi$ /4
	0	1	0	Internal clock: counts on P $\phi$ /16
	0	1	1	Internal clock: counts on P $\phi$ /64
	1	0	0	External clock: counts on TCLKA pin input
	1	0	1	External clock: counts on TCLKC pin input
	1	1	0	Internal clock: counts on P $\phi$ /1024
	1	1	1	Counts on TCNT5 overflow/underflow

Note: This setting is ignored when channel 4 is in phase counting mode.

**Table 10.11 TPSC2 to TPSC0 (Channel 5)**

Channel	Bit 2 TPSC2	Bit 1 TPSC1	Bit 0 TPSC0	Description
5	0	0	0	Internal clock: counts on P $\phi$ /1
	0	0	1	Internal clock: counts on P $\phi$ /4
	0	1	0	Internal clock: counts on P $\phi$ /16
	0	1	1	Internal clock: counts on P $\phi$ /64
	1	0	0	External clock: counts on TCLKA pin input
	1	0	1	External clock: counts on TCLKC pin input
	1	1	0	Internal clock: counts on P $\phi$ /256
	1	1	1	External clock: counts on TCLKD pin input

Note: This setting is ignored when channel 5 is in phase counting mode.

### 10.3.2 Timer Mode Register (TMDR)

TMDR sets the operating mode for each channel. The TPU has six TMDR registers, one for each channel. TMDR register settings should be made only while TCNT operation is stopped.

Bit	7	6	5	4	3	2	1	0
Bit Name	—	—	BFB	BFA	MD3	MD2	MD1	MD0
Initial Value	1	1	0	0	0	0	0	0
R/W	R	R	R/W	R/W	R/W	R/W	R/W	R/W

Bit	Bit Name	Initial Value	R/W	Description
7, 6	—	All 1	R	Reserved These are read-only bits and cannot be modified.
5	BFB	0	R/W	Buffer Operation B Specifies whether TGRB is to normally operate, or TGRB and TGRD are to be used together for buffer operation. When TGRD is used as a buffer register, TGRD input capture/output compare is not generated. In channels 1, 2, 4, and 5, which have no TGRD, bit 5 is reserved. It is always read as 0 and cannot be modified. 0: TGRB operates normally 1: TGRB and TGRD used together for buffer operation
4	BFA	0	R/W	Buffer Operation A Specifies whether TGRA is to normally operate, or TGRA and TGRC are to be used together for buffer operation. When TGRC is used as a buffer register, TGRC input capture/output compare is not generated. In channels 1, 2, 4, and 5, which have no TGRC, bit 4 is reserved. It is always read as 0 and cannot be modified. 0: TGRA operates normally 1: TGRA and TGRC used together for buffer operation
3	MD3	0	R/W	Modes 3 to 0
2	MD2	0	R/W	Set the timer operating mode.
1	MD1	0	R/W	MD3 is a reserved bit. The write value should always be 0. See table 10.12 for details.
0	MD0	0	R/W	

**Table 10.12 MD3 to MD0**

Bit 3 MD3* <sup>1</sup>	Bit 2 MD2* <sup>2</sup>	Bit 1 MD1	Bit 0 MD0	Description
0	0	0	0	Normal operation
0	0	0	1	Reserved
0	0	1	0	PWM mode 1
0	0	1	1	PWM mode 2
0	1	0	0	Phase counting mode 1
0	1	0	1	Phase counting mode 2
0	1	1	0	Phase counting mode 3
0	1	1	1	Phase counting mode 4
1	X	X	X	—

[Legend]

X: Don't care

- Notes: 1. MD3 is a reserved bit. The write value should always be 0.  
 2. Phase counting mode cannot be set for channels 0 and 3. In this case, 0 should always be written to MD2.

### 10.3.3 Timer I/O Control Register (TIOR)

TIOR controls TGR. The TPU has eight TIOR registers, two each for channels 0 and 3, and one each for channels 1, 2, 4, and 5. Care is required since TIOR is affected by the TMDR setting.

The initial output specified by TIOR is valid when the counter is stopped (the CST bit in TSTR is cleared to 0). Note also that, in PWM mode 2, the output at the point at which the counter is cleared to 0 is specified.

When TGRC or TGRD is designated for buffer operation, this setting is invalid and the register operates as a buffer register.

To designate the input capture pin in TIOR, the DDR bit and ICR bit for the corresponding pin should be set to 0 and 1, respectively. For details, see section 9, I/O Ports.

- TIORH\_0, TIOR\_1, TIOR\_2, TIORH\_3, TIOR\_4, TIOR\_5

Bit	7	6	5	4	3	2	1	0
Bit Name	IOB3	IOB2	IOB1	IOB0	IOA3	IOA2	IOA1	IOA0
Initial Value	0	0	0	0	0	0	0	0
R/W	R/W	R/W	R/W	R/W	R/W	R/W	R/W	R/W

- TIORL\_0, TORL\_3

Bit	7	6	5	4	3	2	1	0
Bit Name	IOD3	IOD2	IOD1	IOD0	IOC3	IOC2	IOC1	IOC0
Initial Value	0	0	0	0	0	0	0	0
R/W	R/W	R/W	R/W	R/W	R/W	R/W	R/W	R/W

- TIORH\_0, TIOR\_1, TIOR\_2, TIORH\_3, TIOR\_4, TIOR\_5

Bit	Bit Name	Initial Value	R/W	Description
7	IOB3	0	R/W	I/O Control B3 to B0
6	IOB2	0	R/W	Specify the function of TGRB.
5	IOB1	0	R/W	For details, see tables 10.13, 10.15, 10.16, 10.17, 10.19, and 10.20.
4	IOB0	0	R/W	
3	IOA3	0	R/W	I/O Control A3 to A0
2	IOA2	0	R/W	Specify the function of TGRA.
1	IOA1	0	R/W	For details, see tables 10.21, 10.23, 10.24, 10.25, 10.27, and 10.28.
0	IOA0	0	R/W	

- TIORL\_0, TIORL\_3:

Bit	Bit Name	Initial Value	R/W	Description
7	IOD3	0	R/W	I/O Control D3 to D0
6	IOD2	0	R/W	Specify the function of TGRD.
5	IOD1	0	R/W	For details, see tables 10.14 and 10.18.
4	IOD0	0	R/W	
3	IOC3	0	R/W	I/O Control C3 to C0
2	IOC2	0	R/W	Specify the function of TGRD.
1	IOC1	0	R/W	For details, see tables 10.22 and 10.26.
0	IOC0	0	R/W	

Table 10.13 TIORH\_0

				Description		
Bit 7 IOB3	Bit 6 IOB2	Bit 5 IOB1	Bit 4 IOB0	TGRB_0 Function	TIOCB0 Pin Function	
0	0	0	0	Output compare register	Output disabled	
0	0	0	1		Initial output is 0 output 0 output at compare match	
0	0	1	0		Initial output is 0 output 1 output at compare match	
0	0	1	1		Initial output is 0 output Toggle output at compare match	
0	1	0	0		Output disabled	
0	1	0	1		Initial output is 1 output 0 output at compare match	
0	1	1	0		Initial output is 1 output 1 output at compare match	
0	1	1	1		Initial output is 1 output Toggle output at compare match	
1	0	0	0		Input capture register	Capture input source is TIOCB0 pin Input capture at rising edge
1	0	0	1			Capture input source is TIOCB0 pin Input capture at falling edge
1	0	1	x	Capture input source is TIOCB0 pin Input capture at both edges		
1	1	x	x	Capture input source is channel 1/count clock Input capture at TCNT_1 count-up/count-down*		

[Legend]

X: Don't care

Note: \* When bits TPSC2 to TPSC0 in TCR\_1 are set to B'000 and P $\phi$ /1 is used as the TCNT\_1 count clock, this setting is invalid and input capture is not generated.

Table 10.14 TIORL\_0

				Description		
Bit 7 IOD3	Bit 6 IOD2	Bit 5 IOD1	Bit 4 IOD0	TGRD_0 Function	TIOCD0 Pin Function	
0	0	0	0	Output compare register* <sup>2</sup>	Output disabled	
0	0	0	1		Initial output is 0 output 0 output at compare match	
0	0	1	0		Initial output is 0 output 1 output at compare match	
0	0	1	1		Initial output is 0 output Toggle output at compare match	
0	1	0	0		Output disabled	
0	1	0	1		Initial output is 1 output 0 output at compare match	
0	1	1	0		Initial output is 1 output 1 output at compare match	
0	1	1	1		Initial output is 1 output Toggle output at compare match	
1	0	0	0		Input capture register* <sup>2</sup>	Capture input source is TIOCD0 pin Input capture at rising edge
1	0	0	1			Capture input source is TIOCD0 pin Input capture at falling edge
1	0	1	X	Capture input source is TIOCD0 pin Input capture at both edges		
1	1	X	X	Capture input source is channel 1/count clock Input capture at TCNT_1 count-up/count-down* <sup>1</sup>		

[Legend]

X: Don't care

- Notes: 1. When bits TPSC2 to TPSC0 in TCR\_1 are set to B'000 and P<sub>φ</sub>/1 is used as the TCNT\_1 count clock, this setting is invalid and input capture is not generated.
2. When the BFB bit in TMDR\_0 is set to 1 and TGRD\_0 is used as a buffer register, this setting is invalid and input capture/output compare is not generated.



Table 10.15 TIOR\_1

				Description		
Bit 7 IOB3	Bit 6 IOB2	Bit 5 IOB1	Bit 4 IOB0	TGRB_1 Function	TIOCB1 Pin Function	
0	0	0	0	Output compare register	Output disabled	
0	0	0	1		Initial output is 0 output 0 output at compare match	
0	0	1	0		Initial output is 0 output 1 output at compare match	
0	0	1	1		Initial output is 0 output Toggle output at compare match	
0	1	0	0		Output disabled	
0	1	0	1		Initial output is 1 output 0 output at compare match	
0	1	1	0		Initial output is 1 output 1 output at compare match	
0	1	1	1		Initial output is 1 output Toggle output at compare match	
1	0	0	0		Input capture register	Capture input source is TIOCB1 pin Input capture at rising edge
1	0	0	1			Capture input source is TIOCB1 pin Input capture at falling edge
1	0	1	X	Capture input source is TIOCB1 pin Input capture at both edges		
1	1	X	X	TGRC_0 compare match/input capture Input capture at generation of TGRC_0 compare match/input capture		

[Legend]

X: Don't care

**Table 10.16 TIOR\_2**

Bit 7 IOB3	Bit 6 IOB2	Bit 5 IOB1	Bit 4 IOB0	Description		
				TGRB_2 Function	TIOCB2 Pin Function	
0	0	0	0	Output compare register	Output disabled	
0	0	0	1		Initial output is 0 output 0 output at compare match	
0	0	1	0		Initial output is 0 output 1 output at compare match	
0	0	1	1		Initial output is 0 output Toggle output at compare match	
0	1	0	0		Output disabled	
0	1	0	1		Initial output is 1 output 0 output at compare match	
0	1	1	0		Initial output is 1 output 1 output at compare match	
0	1	1	1		Initial output is 1 output Toggle output at compare match	
1	X	0	0		Input capture register	Capture input source is TIOCB2 pin Input capture at rising edge
1	X	0	1			Capture input source is TIOCB2 pin Input capture at falling edge
1	X	1	X	Capture input source is TIOCB2 pin Input capture at both edges		

[Legend]

X: Don't care

Table 10.17 TIORH\_3

				Description		
Bit 7 IOB3	Bit 6 IOB2	Bit 5 IOB1	Bit 4 IOB0	TGRB_3 Function	TIOCB3 Pin Function	
0	0	0	0	Output compare register	Output disabled	
0	0	0	1		Initial output is 0 output 0 output at compare match	
0	0	1	0		Initial output is 0 output 1 output at compare match	
0	0	1	1		Initial output is 0 output Toggle output at compare match	
0	1	0	0		Output disabled	
0	1	0	1		Initial output is 1 output 0 output at compare match	
0	1	1	0		Initial output is 1 output 1 output at compare match	
0	1	1	1		Initial output is 1 output Toggle output at compare match	
1	0	0	0		Input capture register	Capture input source is TIOCB3 pin Input capture at rising edge
1	0	0	1			Capture input source is TIOCB3 pin Input capture at falling edge
1	0	1	x	Capture input source is TIOCB3 pin Input capture at both edges		
1	1	x	x	Capture input source is channel 4/count clock Input capture at TCNT_4 count-up/count-down*		

[Legend]

X: Don't care

Note: When bits TPSC2 to TPSC0 in TCR\_4 are set to B'000 and P $\phi$ /1 is used as the TCNT\_4 count clock, this setting is invalid and input capture is not generated.

Table 10.18 TIORL\_3

				Description		
Bit 7 IOD3	Bit 6 IOD2	Bit 5 IOD1	Bit 4 IOD0	TGRD_3 Function	TIOCD3 Pin Function	
0	0	0	0	Output compare register* <sup>2</sup>	Output disabled	
0	0	0	1		Initial output is 0 output 0 output at compare match	
0	0	1	0		Initial output is 0 output 1 output at compare match	
0	0	1	1		Initial output is 0 output Toggle output at compare match	
0	1	0	0		Output disabled	
0	1	0	1		Initial output is 1 output 0 output at compare match	
0	1	1	0		Initial output is 1 output 1 output at compare match	
0	1	1	1		Initial output is 1 output Toggle output at compare match	
1	0	0	0		Input capture register* <sup>2</sup>	Capture input source is TIOCD3 pin Input capture at rising edge
1	0	0	1			Capture input source is TIOCD3 pin Input capture at falling edge
1	0	1	x	Capture input source is TIOCD3 pin Input capture at both edges		
1	1	x	x	Capture input source is channel 4/count clock Input capture at TCNT_4 count-up/count-down* <sup>1</sup>		

[Legend]

X: Don't care

- Notes: 1. When bits TPSC2 to TPSC0 in TCR\_4 are set to B'000 and P<sub>φ</sub>/1 is used as the TCNT\_4 count clock, this setting is invalid and input capture is not generated.
2. When the BFB bit in TMDR\_3 is set to 1 and TGRD\_3 is used as a buffer register, this setting is invalid and input capture/output compare is not generated.

Table 10.19 TIOR\_4

				Description	
Bit 7 IOB3	Bit 6 IOB2	Bit 5 IOB1	Bit 4 IOB0	TGRB_4 Function	TIOCB4 Pin Function
0	0	0	0	Output compare register	Output disabled
0	0	0	1		Initial output is 0 output 0 output at compare match
0	0	1	0		Initial output is 0 output 1 output at compare match
0	0	1	1		Initial output is 0 output Toggle output at compare match
0	1	0	0		Output disabled
0	1	0	1		Initial output is 1 output 0 output at compare match
0	1	1	0		Initial output is 1 output 1 output at compare match
0	1	1	1		Initial output is 1 output Toggle output at compare match
1	0	0	0	Input capture register	Capture input source is TIOCB4 pin Input capture at rising edge
1	0	0	1		Capture input source is TIOCB4 pin Input capture at falling edge
1	0	1	X		Capture input source is TIOCB4 pin Input capture at both edges
1	1	X	X		Capture input source is TGRC_3 compare match/input capture Input capture at generation of TGRC_3 compare match/input capture

[Legend]

X: Don't care

**Table 10.20 TIOR\_5**

Bit 7 IOB3	Bit 6 IOB2	Bit 5 IOB1	Bit 4 IOB0	Description		
				TGRB_5 Function	TIOCB5 Pin Function	
0	0	0	0	Output compare register	Output disabled	
0	0	0	1		Initial output is 0 output 0 output at compare match	
0	0	1	0		Initial output is 0 output 1 output at compare match	
0	0	1	1		Initial output is 0 output Toggle output at compare match	
0	1	0	0		Output disabled	
0	1	0	1		Initial output is 1 output 0 output at compare match	
0	1	1	0		Initial output is 1 output 1 output at compare match	
0	1	1	1		Initial output is 1 output Toggle output at compare match	
1	X	0	0		Input capture register	Capture input source is TIOCB5 pin Input capture at rising edge
1	X	0	1			Capture input source is TIOCB5 pin Input capture at falling edge
1	X	1	X	Capture input source is TIOCB5 pin Input capture at both edges		

[Legend]

X: Don't care

Table 10.21 TIORH\_0

				Description		
Bit 3 IOA3	Bit 2 IOA2	Bit 1 IOA1	Bit 0 IOA0	TGRA_0 Function	TIOCA0 Pin Function	
0	0	0	0	Output compare register	Output disabled	
0	0	0	1		Initial output is 0 output 0 output at compare match	
0	0	1	0		Initial output is 0 output 1 output at compare match	
0	0	1	1		Initial output is 0 output Toggle output at compare match	
0	1	0	0		Output disabled	
0	1	0	1		Initial output is 1 output 0 output at compare match	
0	1	1	0		Initial output is 1 output 1 output at compare match	
0	1	1	1		Initial output is 1 output Toggle output at compare match	
1	0	0	0		Input capture register	Capture input source is TIOCA0 pin Input capture at rising edge
1	0	0	1			Capture input source is TIOCA0 pin Input capture at falling edge
1	0	1	X	Capture input source is TIOCA0 pin Input capture at both edges		
1	1	X	X	Capture input source is channel 1/count clock Input capture at TCNT_1 count-up/count-down		

[Legend]

X: Don't care

**Table 10.22 TIORL\_0**

Bit 3 IOC3	Bit 2 IOC2	Bit 1 IOC1	Bit 0 IOC0	TGRC_0 Function	Description	
					TIOCC0 Pin Function	
0	0	0	0	Output compare register*	Output disabled	
0	0	0	1		Initial output is 0 output 0 output at compare match	
0	0	1	0		Initial output is 0 output 1 output at compare match	
0	0	1	1		Initial output is 0 output Toggle output at compare match	
0	1	0	0		Output disabled	
0	1	0	1		Initial output is 1 output 0 output at compare match	
0	1	1	0		Initial output is 1 output 1 output at compare match	
0	1	1	1		Initial output is 1 output Toggle output at compare match	
1	0	0	0		Input capture register*	Capture input source is TIOCC0 pin Input capture at rising edge
1	0	0	1			Capture input source is TIOCC0 pin Input capture at falling edge
1	0	1	X			Capture input source is TIOCC0 pin Input capture at both edges
1	1	X	X			Capture input source is channel 1/count clock Input capture at TCNT_1 count-up/count-down

[Legend]

X: Don't care

Note: \* When the BFA bit in TMDR\_0 is set to 1 and TGRC\_0 is used as a buffer register, this setting is invalid and input capture/output compare is not generated.



Table 10.23 TIOR\_1

				Description	
Bit 3 IOA3	Bit 2 IOA2	Bit 1 IOA1	Bit 0 IOA0	TGRA_1 Function	TIOCA1 Pin Function
0	0	0	0	Output compare register	Output disabled
0	0	0	1		Initial output is 0 output 0 output at compare match
0	0	1	0		Initial output is 0 output 1 output at compare match
0	0	1	1		Initial output is 0 output Toggle output at compare match
0	1	0	0		Output disabled
0	1	0	1		Initial output is 1 output 0 output at compare match
0	1	1	0		Initial output is 1 output 1 output at compare match
0	1	1	1		Initial output is 1 output Toggle output at compare match
1	0	0	0	Input capture register	Capture input source is TIOCA1 pin Input capture at rising edge
1	0	0	1		Capture input source is TIOCA1 pin Input capture at falling edge
1	0	1	X		Capture input source is TIOCA1 pin Input capture at both edges
1	1	X	X		Capture input source is TGRA_0 compare match/input capture Input capture at generation of channel 0/TGRA_0 compare match/input capture

[Legend]

X: Don't care

Table 10.24 TIOR\_2

Bit 3 IOA3	Bit 2 IOA2	Bit 1 IOA1	Bit 0 IOA0	TGRA_2 Function	Description	
					TIOCA2 Pin Function	
0	0	0	0	Output compare register	Output disabled	
0	0	0	1		Initial output is 0 output 0 output at compare match	
0	0	1	0		Initial output is 0 output 1 output at compare match	
0	0	1	1		Initial output is 0 output Toggle output at compare match	
0	1	0	0		Output disabled	
0	1	0	1		Initial output is 1 output 0 output at compare match	
0	1	1	0		Initial output is 1 output 1 output at compare match	
0	1	1	1		Initial output is 1 output Toggle output at compare match	
1	X	0	0		Input capture register	Capture input source is TIOCA2 pin Input capture at rising edge
1	X	0	1			Capture input source is TIOCA2 pin Input capture at falling edge
1	X	1	X	Capture input source is TIOCA2 pin Input capture at both edges		

[Legend]

X: Don't care

Table 10.25 TIORH\_3

				Description		
Bit 3 IOA3	Bit 2 IOA2	Bit 1 IOA1	Bit 0 IOA0	TGRA_3 Function	TIOCA3 Pin Function	
0	0	0	0	Output compare register	Output disabled	
0	0	0	1		Initial output is 0 output 0 output at compare match	
0	0	1	0		Initial output is 0 output 1 output at compare match	
0	0	1	1		Initial output is 0 output Toggle output at compare match	
0	1	0	0		Output disabled	
0	1	0	1		Initial output is 1 output 0 output at compare match	
0	1	1	0		Initial output is 1 output 1 output at compare match	
0	1	1	1		Initial output is 1 output Toggle output at compare match	
1	0	0	0		Input capture register	Capture input source is TIOCA3 pin Input capture at rising edge
1	0	0	1			Capture input source is TIOCA3 pin Input capture at falling edge
1	0	1	X	Capture input source is TIOCA3 pin Input capture at both edges		
1	1	X	X	Capture input source is channel 4/count clock Input capture at TCNT_4 count-up/count-down		

[Legend]

X: Don't care

**Table 10.26 TIORL\_3**

Bit 3 IOC3	Bit 2 IOC2	Bit 1 IOC1	Bit 0 IOC0	Description		
				TGRC_3 Function	TIOCC3 Pin Function	
0	0	0	0	Output compare register*	Output disabled	
0	0	0	1		Initial output is 0 output 0 output at compare match	
0	0	1	0		Initial output is 0 output 1 output at compare match	
0	0	1	1		Initial output is 0 output Toggle output at compare match	
0	1	0	0		Output disabled	
0	1	0	1		Initial output is 1 output 0 output at compare match	
0	1	1	0		Initial output is 1 output 1 output at compare match	
0	1	1	1		Initial output is 1 output Toggle output at compare match	
1	0	0	0		Input capture register*	Capture input source is TIOCC3 pin Input capture at rising edge
1	0	0	1			Capture input source is TIOCC3 pin Input capture at falling edge
1	0	1	X			Capture input source is TIOCC3 pin Input capture at both edges
1	1	X	X			Capture input source is channel 4/count clock Input capture at TCNT_4 count-up/count-down

[Legend]

X: Don't care

Note: \* When the BFA bit in TMDR\_3 is set to 1 and TGRC\_3 is used as a buffer register, this setting is invalid and input capture/output compare is not generated.

Table 10.27 TIOR\_4

				Description	
Bit 3 IOA3	Bit 2 IOA2	Bit 1 IOA1	Bit 0 IOA0	TGRA_4 Function	TIOCA4 Pin Function
0	0	0	0	Output compare register	Output disabled
0	0	0	1		Initial output is 0 output 0 output at compare match
0	0	1	0		Initial output is 0 output 1 output at compare match
0	0	1	1		Initial output is 0 output Toggle output at compare match
0	1	0	0		Output disabled
0	1	0	1		Initial output is 1 output 0 output at compare match
0	1	1	0		Initial output is 1 output 1 output at compare match
0	1	1	1		Initial output is 1 output Toggle output at compare match
1	0	0	0	Input capture register	Capture input source is TIOCA4 pin Input capture at rising edge
1	0	0	1		Capture input source is TIOCA4 pin Input capture at falling edge
1	0	1	X		Capture input source is TIOCA4 pin Input capture at both edges
1	1	X	X		Capture input source is TGRA_3 compare match/input capture Input capture at generation of TGRA_3 compare match/input capture

[Legend]

X: Don't care

Table 10.28 TIOR\_5

				Description		
Bit 3 IOA3	Bit 2 IOA2	Bit 1 IOA1	Bit 0 IOA0	TGRA_5 Function	TIOCA5 Pin Function	
0	0	0	0	Output compare register	Output disabled	
0	0	0	1		Initial output is 0 output 0 output at compare match	
0	0	1	0		Initial output is 0 output 1 output at compare match	
0	0	1	1		Initial output is 0 output Toggle output at compare match	
0	1	0	0		Output disabled	
0	1	0	1		Initial output is 1 output 0 output at compare match	
0	1	1	0		Initial output is 1 output 1 output at compare match	
0	1	1	1		Initial output is 1 output Toggle output at compare match	
1	X	0	0		Input capture register	Input capture source is TIOCA5 pin Input capture at rising edge
1	X	0	1			Input capture source is TIOCA5 pin Input capture at falling edge
1	X	1	X	Input capture source is TIOCA5 pin Input capture at both edges		

[Legend]

X: Don't care

### 10.3.4 Timer Interrupt Enable Register (TIER)

TIER controls enabling or disabling of interrupt requests for each channel. The TPU has six TIER registers, one for each channel.

Bit	7	6	5	4	3	2	1	0
Bit Name	TTGE	—	TCIEU	TCIEV	TGIED	TCIEC	TGIEB	TGIEA
Initial Value	0	1	0	0	0	0	0	0
R/W	R/W	R	R/W	R/W	R/W	R/W	R/W	R/W

Bit	Bit Name	Initial value	R/W	Description
7	TTGE	0	R/W	<p>A/D Conversion Start Request Enable</p> <p>Enables/disables generation of A/D conversion start requests by TGRA input capture/compare match.</p> <p>0: A/D conversion start request generation disabled 1: A/D conversion start request generation enabled</p>
6	—	1	R	<p>Reserved</p> <p>This is a read-only bit and cannot be modified.</p>
5	TCIEU	0	R/W	<p>Underflow Interrupt Enable</p> <p>Enables/disables interrupt requests (TCIU) by the TCFU flag when the TCFU flag in TSR is set to 1 in channels 1, 2, 4, and 5.</p> <p>In channels 0 and 3, bit 5 is reserved. It is always read as 0 and cannot be modified.</p> <p>0: Interrupt requests (TCIU) by TCFU disabled 1: Interrupt requests (TCIU) by TCFU enabled</p>
4	TCIEV	0	R/W	<p>Overflow Interrupt Enable</p> <p>Enables/disables interrupt requests (TCIV) by the TCFV flag when the TCFV flag in TSR is set to 1.</p> <p>0: Interrupt requests (TCIV) by TCFV disabled 1: Interrupt requests (TCIV) by TCFV enabled</p>

Bit	Bit Name	Initial value	R/W	Description
3	TGIED	0	R/W	<p>TGR Interrupt Enable D</p> <p>Enables/disables interrupt requests (TGID) by the TGFD bit when the TGFD bit in TSR is set to 1 in channels 0 and 3.</p> <p>In channels 1, 2, 4, and 5, bit 3 is reserved. It is always read as 0 and cannot be modified.</p> <p>0: Interrupt requests (TGID) by TGFD bit disabled 1: Interrupt requests (TGID) by TGFD bit enabled</p>
2	TGIEC	0	R/W	<p>TGR Interrupt Enable C</p> <p>Enables/disables interrupt requests (TGIC) by the TGFC bit when the TGFC bit in TSR is set to 1 in channels 0 and 3.</p> <p>In channels 1, 2, 4, and 5, bit 2 is reserved. It is always read as 0 and cannot be modified.</p> <p>0: Interrupt requests (TGIC) by TGFC bit disabled 1: Interrupt requests (TGIC) by TGFC bit enabled</p>
1	TGIEB	0	R/W	<p>TGR Interrupt Enable B</p> <p>Enables/disables interrupt requests (TGIB) by the TGFB bit when the TGFB bit in TSR is set to 1.</p> <p>0: Interrupt requests (TGIB) by TGFB bit disabled 1: Interrupt requests (TGIB) by TGFB bit enabled</p>
0	TGIEA	0	R/W	<p>TGR Interrupt Enable A</p> <p>Enables/disables interrupt requests (TGIA) by the TGFA bit when the TGFA bit in TSR is set to 1.</p> <p>0: Interrupt requests (TGIA) by TGFA bit disabled 1: Interrupt requests (TGIA) by TGFA bit enabled</p>



### 10.3.5 Timer Status Register (TSR)

TSR indicates the status of each channel. The TPU has six TSR registers, one for each channel.

Bit	7	6	5	4	3	2	1	0
Bit Name	TCFD	—	TCFU	TCFV	TGFD	TGFC	TGFB	TGFA
Initial Value	1	1	0	0	0	0	0	0
R/W	R	R	R/(W)*	R/(W)*	R/(W)*	R/(W)*	R/(W)*	R/(W)*

Note: \* Only 0 can be written to bits 5 to 0, to clear flags.

Bit	Bit Name	Initial value	R/W	Description
7	TCFD	1	R	Count Direction Flag Status flag that shows the direction in which TCNT counts in channels 1, 2, 4, and 5. In channels 0 and 3, bit 7 is reserved. It is always read as 1 and cannot be modified. 0: TCNT counts down 1: TCNT counts up
6	—	1	R	Reserved This is a read-only bit and cannot be modified.
5	TCFU	0	R/(W)*	Underflow Flag Status flag that indicates that a TCNT underflow has occurred when channels 1, 2, 4, and 5 are set to phase counting mode. In channels 0 and 3, bit 5 is reserved. It is always read as 0 and cannot be modified. [Setting condition] When the TCNT value underflows (changes from H'0000 to H'FFFF) [Clearing condition] When a 0 is written to TCFU after reading TCFU = 1 (When the CPU is used to clear this flag by writing 0 while the corresponding interrupt is enabled, be sure to read the flag after writing 0 to it.)

Bit	Bit Name	Initial value	R/W	Description
4	TCFV	0	R/(W)*	<p>Overflow Flag</p> <p>Status flag that indicates that a TCNT overflow has occurred.</p> <p>[Setting condition]</p> <p>When the TCNT value overflows (changes from H'FFFF to H'0000)</p> <p>[Clearing condition]</p> <p>When a 0 is written to TCFV after reading TCFV = 1 (When the CPU is used to clear this flag by writing 0 while the corresponding interrupt is enabled, be sure to read the flag after writing 0 to it.)</p>
3	TGFD	0	R/(W)*	<p>Input Capture/Output Compare Flag D</p> <p>Status flag that indicates the occurrence of TGRD input capture or compare match in channels 0 and 3.</p> <p>In channels 1, 2, 4, and 5, bit 3 is reserved. It is always read as 0 and cannot be modified.</p> <p>[Setting conditions]</p> <ul style="list-style-type: none"> <li>• When TCNT = TGRD while TGRD is functioning as output compare register</li> <li>• When TCNT value is transferred to TGRD by input capture signal while TGRD is functioning as input capture register</li> </ul> <p>[Clearing conditions]</p> <ul style="list-style-type: none"> <li>• When DTC is activated by a TGID interrupt while the DISEL bit in MRB of DTC is 0</li> <li>• When 0 is written to TGFD after reading TGFD = 1 (When the CPU is used to clear this flag by writing 0 while the corresponding interrupt is enabled, be sure to read the flag after writing 0 to it.)</li> </ul>

Bit	Bit Name	Initial value	R/W	Description
2	TGFC	0	R/(W)*	<p>Input Capture/Output Compare Flag C</p> <p>Status flag that indicates the occurrence of TGRC input capture or compare match in channels 0 and 3.</p> <p>In channels 1, 2, 4, and 5, bit 2 is reserved. It is always read as 0 and cannot be modified.</p> <p>[Setting conditions]</p> <ul style="list-style-type: none"> <li>• When TCNT = TGRC while TGRC is functioning as output compare register</li> <li>• When TCNT value is transferred to TGRC by input capture signal while TGRC is functioning as input capture register</li> </ul> <p>[Clearing conditions]</p> <ul style="list-style-type: none"> <li>• When DTC is activated by a TGIC interrupt while the DISEL bit in MRB of DTC is 0</li> <li>• When 0 is written to TGFC after reading TGFC = 1 (When the CPU is used to clear this flag by writing 0 while the corresponding interrupt is enabled, be sure to read the flag after writing 0 to it.)</li> </ul>
1	TGFB	0	R/(W)*	<p>Input Capture/Output Compare Flag B</p> <p>Status flag that indicates the occurrence of TGRB input capture or compare match.</p> <p>[Setting conditions]</p> <ul style="list-style-type: none"> <li>• When TCNT = TGRB while TGRB is functioning as output compare register</li> <li>• When TCNT value is transferred to TGRB by input capture signal while TGRB is functioning as input capture register</li> </ul> <p>[Clearing conditions]</p> <ul style="list-style-type: none"> <li>• When DTC is activated by a TGIB interrupt while the DISEL bit in MRB of DTC is 0</li> <li>• When 0 is written to TGFB after reading TGFB = 1 (When the CPU is used to clear this flag by writing 0 while the corresponding interrupt is enabled, be sure to read the flag after writing 0 to it.)</li> </ul>

Bit	Bit Name	Initial value	R/W	Description
0	TGFA	0	R/(W)*	<p>Input Capture/Output Compare Flag A</p> <p>Status flag that indicates the occurrence of TGRA input capture or compare match.</p> <p>[Setting conditions]</p> <ul style="list-style-type: none"> <li>• When TCNT = TGRA while TGRA is functioning as output compare register</li> <li>• When TCNT value is transferred to TGRA by input capture signal while TGRA is functioning as input capture register</li> </ul> <p>[Clearing conditions]</p> <ul style="list-style-type: none"> <li>• When DTC is activated by a TGIA interrupt while the DISEL bit in MRB of DTC is 0</li> <li>• When DMAC is activated by a TGIA interrupt while the DTA bit in DMDR of DMAC is 1</li> <li>• When 0 is written to TGFA after reading TGFA = 1 (When the CPU is used to clear this flag by writing 0 while the corresponding interrupt is enabled, be sure to read the flag after writing 0 to it.)</li> </ul>

Note: \* Only 0 can be written to clear the flag.

### 10.3.6 Timer Counter (TCNT)

TCNT is a 16-bit readable/writable counter. The TPU has six TCNT counters, one for each channel.

TCNT is initialized to H'0000 by a reset or in hardware standby mode.

TCNT cannot be accessed in 8-bit units. TCNT must always be accessed in 16-bit units.

Bit	15	14	13	12	11	10	9	8
Bit Name								
Initial Value	0	0	0	0	0	0	0	0
R/W	R/W	R/W	R/W	R/W	R/W	R/W	R/W	R/W
Bit	7	6	5	4	3	2	1	0
Bit Name								
Initial Value	0	0	0	0	0	0	0	0
R/W	R/W	R/W	R/W	R/W	R/W	R/W	R/W	R/W

### 10.3.7 Timer General Register (TGR)

TGR is a 16-bit readable/writable register with a dual function as output compare and input capture registers. The TPU has 16 TGR registers, four each for channels 0 and 3 and two each for channels 1, 2, 4, and 5. TGRC and TGRD for channels 0 and 3 can also be designated for operation as buffer registers. The TGR registers cannot be accessed in 8-bit units; they must always be accessed in 16-bit units. TGR and buffer register combinations during buffer operations are TGRA–TGRC and TGRB–TGRD.

Bit	15	14	13	12	11	10	9	8
Bit Name								
Initial Value	1	1	1	1	1	1	1	1
R/W	R/W	R/W	R/W	R/W	R/W	R/W	R/W	R/W
Bit	7	6	5	4	3	2	1	0
Bit Name								
Initial Value	1	1	1	1	1	1	1	1
R/W	R/W	R/W	R/W	R/W	R/W	R/W	R/W	R/W

### 10.3.8 Timer Start Register (TSTR)

TSTR starts or stops operation for channels 0 to 5. When setting the operating mode in TMDR or setting the count clock in TCR, first stop the TCNT counter.

Bit	7	6	5	4	3	2	1	0
Bit Name	—	—	CST5	CST4	CST3	CST2	CST1	CST0
Initial Value	0	0	0	0	0	0	0	0
R/W	R/W	R/W	R/W	R/W	R/W	R/W	R/W	R/W

Bit	Bit Name	Initial value	R/W	Description
7, 6	—	All 0	R/W	Reserved These bits are always read as 0. The write value should always be 0.
5	CST5	0	R/W	Counter Start 5 to 0
4	CST4	0	R/W	These bits select operation or stoppage for TCNT.
3	CST3	0	R/W	If 0 is written to the CST bit during operation with the TIOC pin designated for output, the counter stops but the TIOC pin output compare output level is retained. If TIOR is written to when the CST bit is cleared to 0, the pin output level will be changed to the set initial output value.
2	CST2	0	R/W	
1	CST1	0	R/W	
0	CST0	0	R/W	

0: TCNT\_5 to TCNT\_0 count operation is stopped  
1: TCNT\_5 to TCNT\_0 performs count operation

### 10.3.9 Timer Synchronous Register (TSYR)

TSYR selects independent operation or synchronous operation for the TCNT counters of channels 0 to 5. A channel performs synchronous operation when the corresponding bit in TSYR is set to 1.

Bit	7	6	5	4	3	2	1	0
Bit Name	—	—	SYNC5	SYNC4	SYNC3	SYNC2	SYNC1	SYNC0
Initial Value	0	0	0	0	0	0	0	0
R/W	R/W	R/W	R/W	R/W	R/W	R/W	R/W	R/W

Bit	Bit Name	Initial value	R/W	Description
7, 6	—	All 0	R/W	Reserved These bits are always read as 0. The write value should always be 0.
5	SYNC5	0	R/W	Timer Synchronization 5 to 0
4	SYNC4	0	R/W	These bits select whether operation is independent of or synchronized with other channels.
3	SYNC3	0	R/W	
2	SYNC2	0	R/W	When synchronous operation is selected, synchronous presetting of multiple channels, and synchronous clearing through counter clearing on another channel are possible.
1	SYNC1	0	R/W	
0	SYNC0	0	R/W	To set synchronous operation, the SYNC bits for at least two channels must be set to 1. To set synchronous clearing, in addition to the SYNC bit, the TCNT clearing source must also be set by means of bits CCLR2 to CCLR0 in TCR. 0: TCNT_5 to TCNT_0 operate independently (TCNT presetting/clearing is unrelated to other channels) 1: TCNT_5 to TCNT_0 perform synchronous operation (TCNT synchronous presetting/synchronous clearing is possible)

## 10.4 Operation

### 10.4.1 Basic Functions

Each channel has a TCNT and TGR register. TCNT performs up-counting, and is also capable of free-running operation, periodic counting, and external event counting.

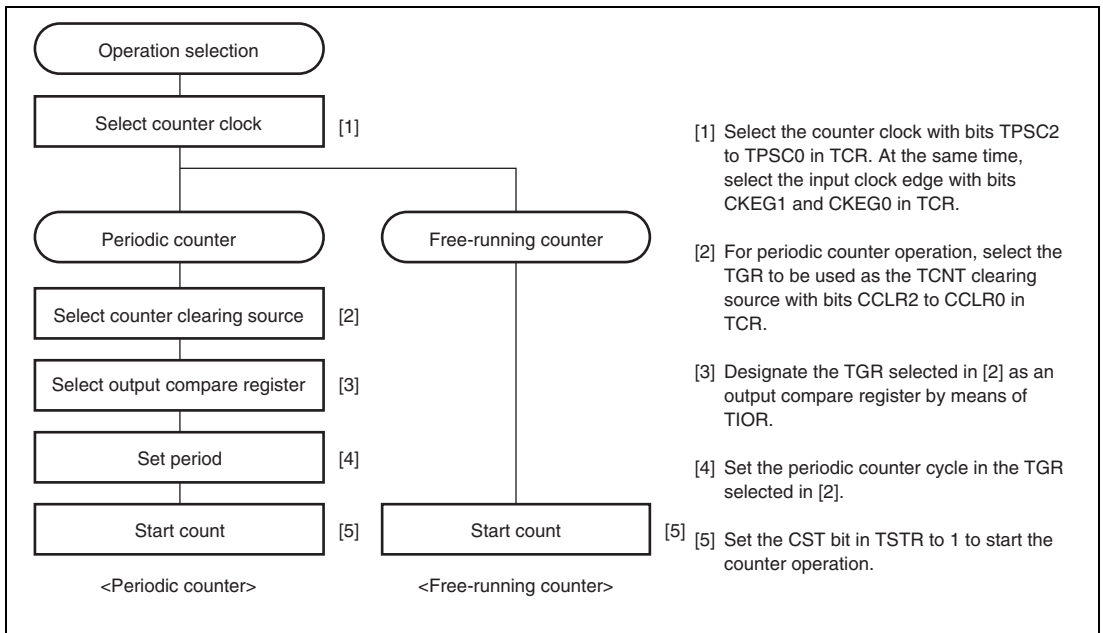
Each TGR can be used as an input capture register or output compare register.

#### (1) Counter Operation

When one of bits CST0 to CST5 is set to 1 in TSTR, the TCNT counter for the corresponding channel starts counting. TCNT can operate as a free-running counter, periodic counter, and so on.

##### (a) Example of count operation setting procedure

Figure 10.2 shows an example of the count operation setting procedure.



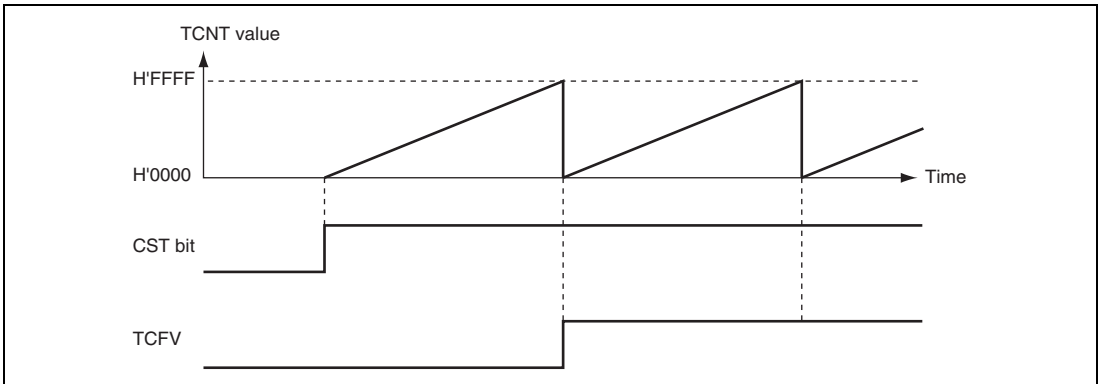
**Figure 10.2 Example of Counter Operation Setting Procedure**



**(b) Free-running count operation and periodic count operation**

Immediately after a reset, the TPU's TCNT counters are all designated as free-running counters. When the relevant bit in TSTR is set to 1 the corresponding TCNT counter starts up-count operation as a free-running counter. When TCNT overflows (changes from H'FFFF to H'0000), the TCFV bit in TSR is set to 1. If the value of the corresponding TCIEV bit in TIER is 1 at this point, the TPU requests an interrupt. After overflow, TCNT starts counting up again from H'0000.

Figure 10.3 illustrates free-running counter operation.

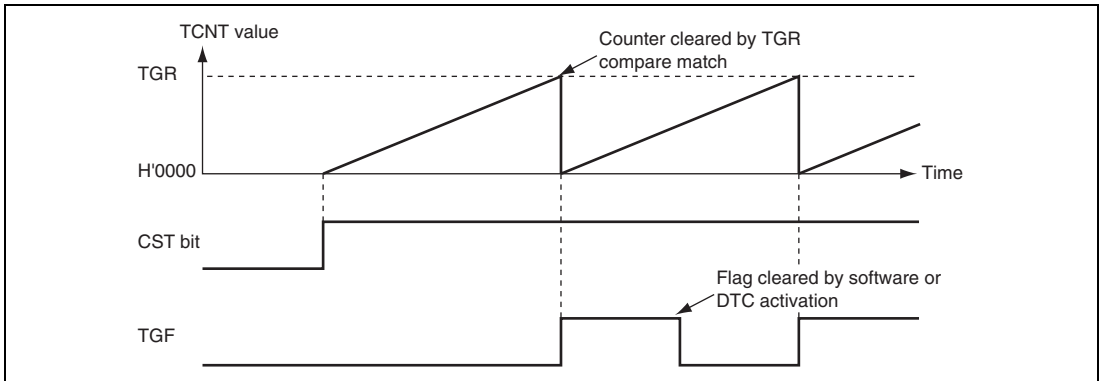


**Figure 10.3 Free-Running Counter Operation**

When compare match is selected as the TCNT clearing source, the TCNT counter for the relevant channel performs periodic count operation. The TGR register for setting the period is designated as an output compare register, and counter clearing by compare match is selected by means of bits CCLR2 to CCLR0 in TCR. After the settings have been made, TCNT starts count-up operation as a periodic counter when the corresponding bit in TSTR is set to 1. When the count value matches the value in TGR, the TGF bit in TSR is set to 1 and TCNT is cleared to H'0000.

If the value of the corresponding TGIE bit in TIER is 1 at this point, the TPU requests an interrupt. After a compare match, TCNT starts counting up again from H'0000.

Figure 10.4 illustrates periodic counter operation.



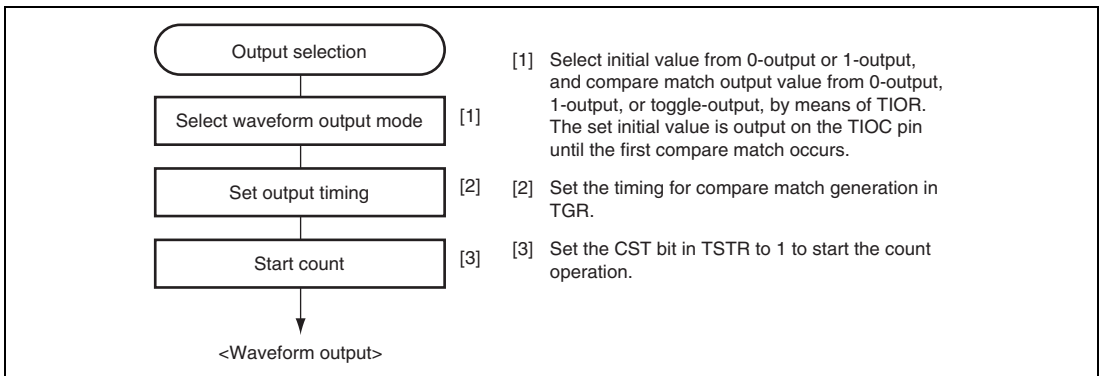
**Figure 10.4 Periodic Counter Operation**

## (2) Waveform Output by Compare Match

The TPU can perform 0, 1, or toggle output from the corresponding output pin using a compare match.

### (a) Example of setting procedure for waveform output by compare match

Figure 10.5 shows an example of the setting procedure for waveform output by a compare match.

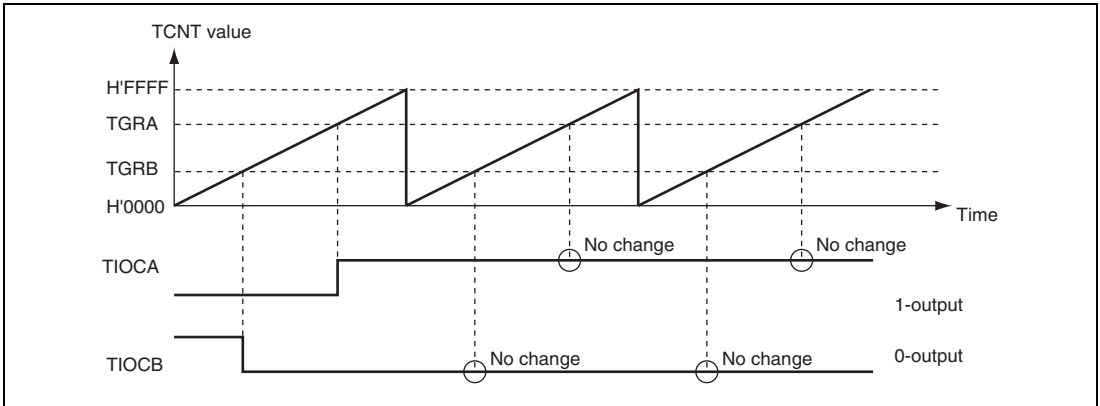


**Figure 10.5 Example of Setting Procedure for Waveform Output by Compare Match**

**(b) Examples of waveform output operation**

Figure 10.6 shows an example of 0-output and 1-output.

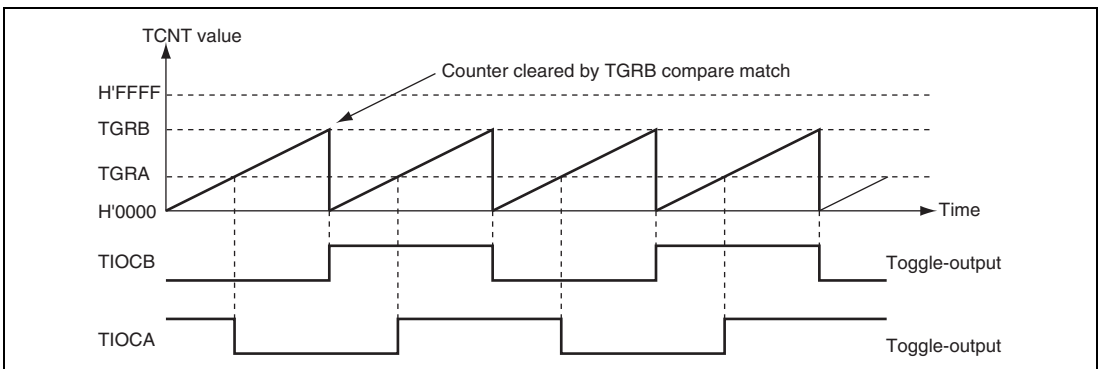
In this example, TCNT has been designated as a free-running counter, and settings have been made so that 1 is output by compare match A, and 0 is output by compare match B. When the set level and the pin level match, the pin level does not change.



**Figure 10.6 Example of 0-Output/1-Output Operation**

Figure 10.7 shows an example of toggle output.

In this example, TCNT has been designated as a periodic counter (with counter clearing performed by compare match B), and settings have been made so that output is toggled by both compare match A and compare match B.



**Figure 10.7 Example of Toggle Output Operation**

### (3) Input Capture Function

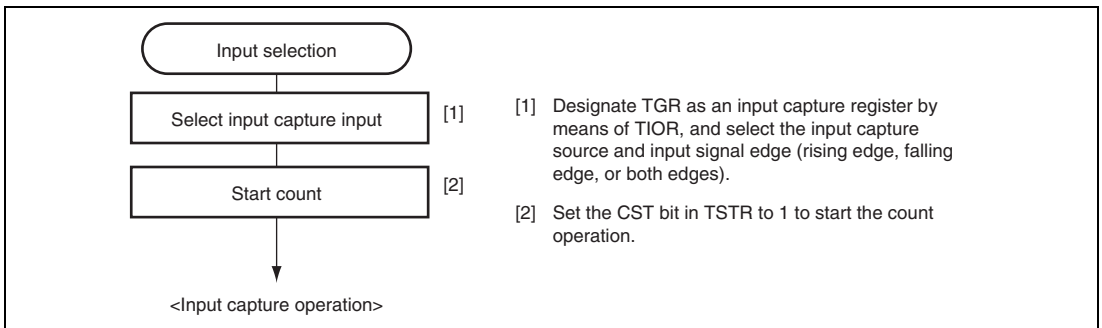
The TCNT value can be transferred to TGR on detection of the TIOC pin input edge.

Rising edge, falling edge, or both edges can be selected as the detection edge. For channels 0, 1, 3, and 4, it is also possible to specify another channel's counter input clock or compare match signal as the input capture source.

**Note:** When another channel's counter input clock is used as the input capture input for channels 0 and 3, P $\phi$ /1 should not be selected as the counter input clock used for input capture input. Input capture will not be generated if P $\phi$ /1 is selected.

#### (a) Example of setting procedure for input capture operation

Figure 10.8 shows an example of the setting procedure for input capture operation.

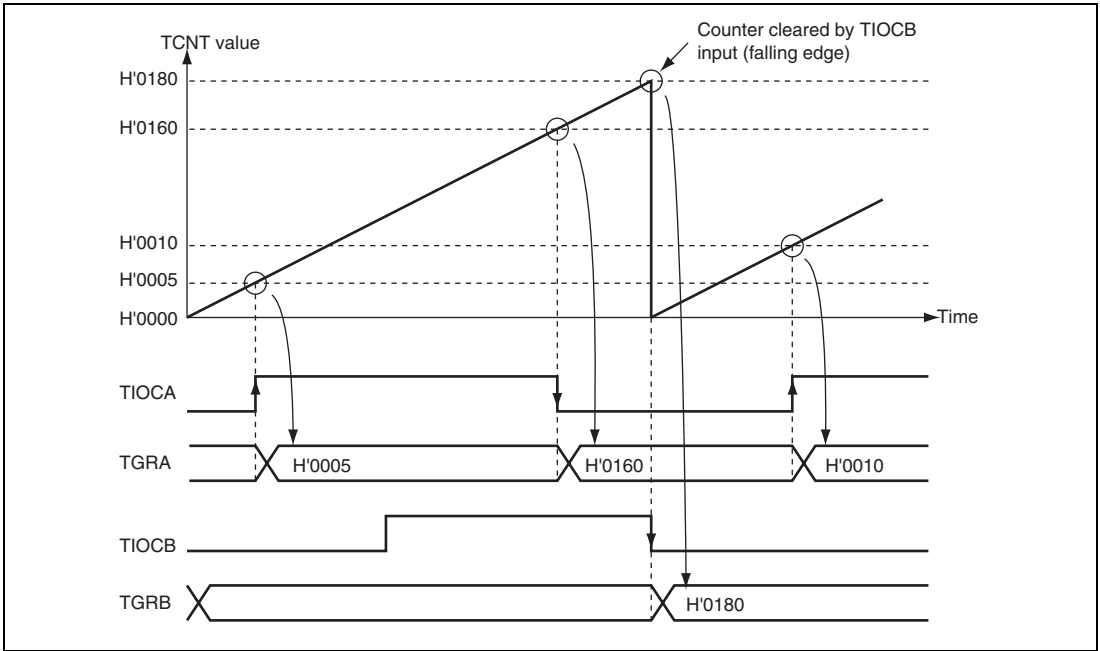


**Figure 10.8 Example of Setting Procedure for Input Capture Operation**

**(b) Example of input capture operation**

Figure 10.9 shows an example of input capture operation.

In this example, both rising and falling edges have been selected as the TIOCA pin input capture input edge, falling edge has been selected as the TIOCB pin input capture input edge, and counter clearing by TGRB input capture has been designated for TCNT.



**Figure 10.9 Example of Input Capture Operation**

## 10.4.2 Synchronous Operation

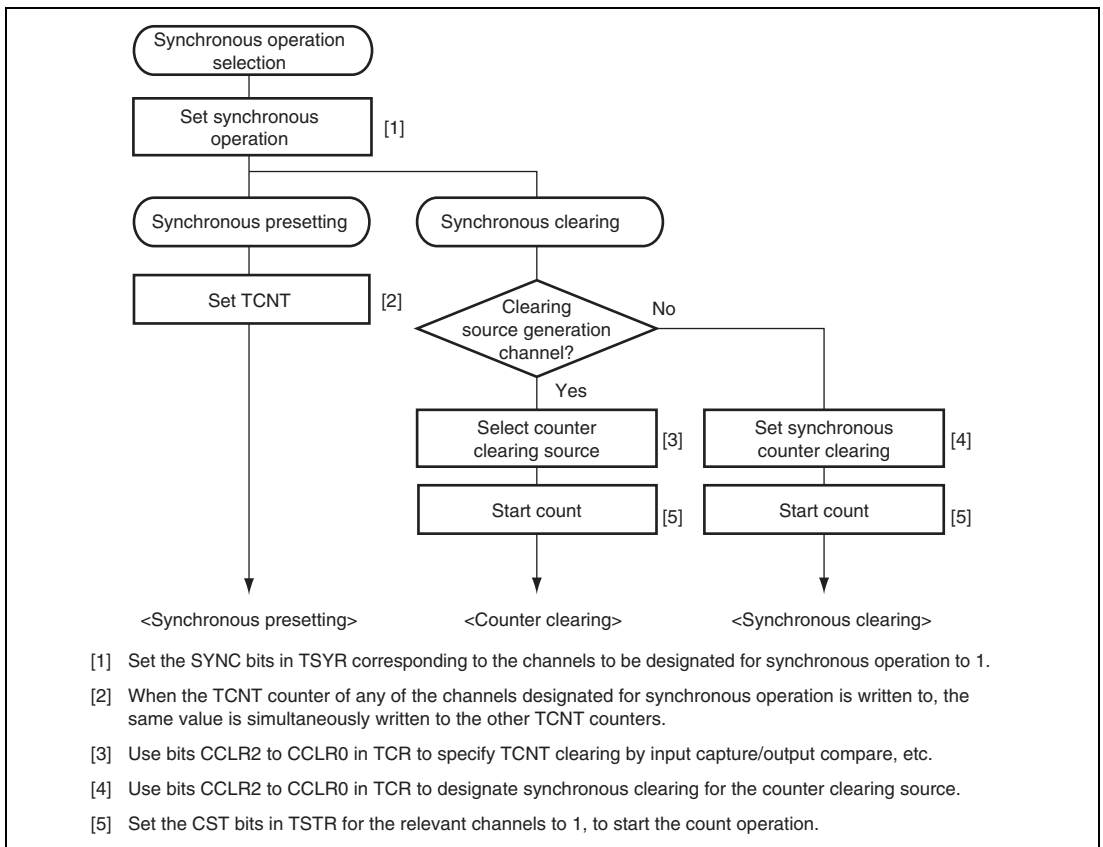
In synchronous operation, the values in multiple TCNT counters can be rewritten simultaneously (synchronous presetting). Also, multiple TCNT counters can be cleared simultaneously (synchronous clearing) by making the appropriate setting in TCR.

Synchronous operation enables TGR to be incremented with respect to a single time base.

Channels 0 to 5 can all be designated for synchronous operation.

### (1) Example of Synchronous Operation Setting Procedure

Figure 10.10 shows an example of the synchronous operation setting procedure.



**Figure 10.10 Example of Synchronous Operation Setting Procedure**

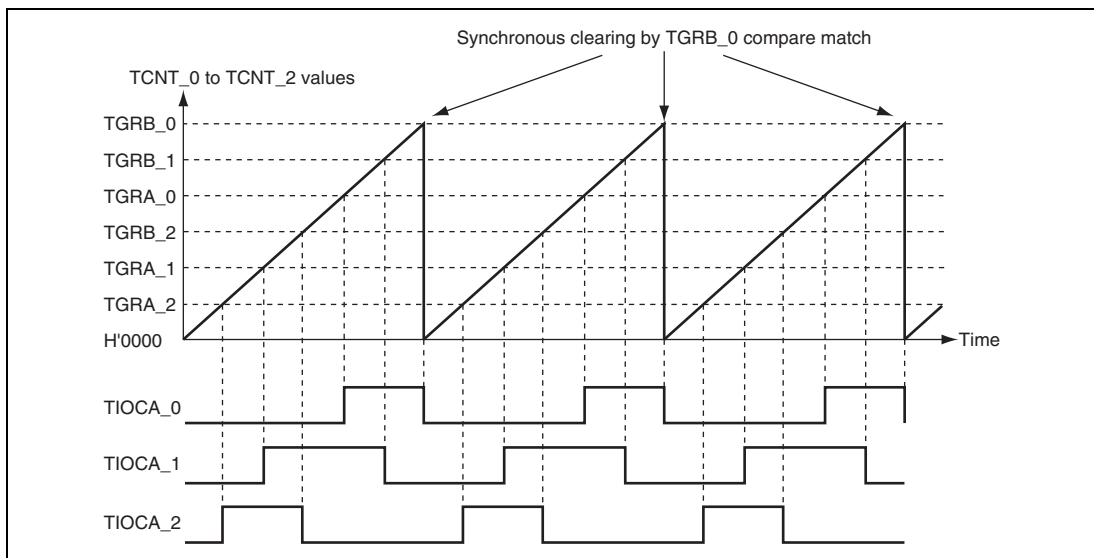
## (2) Example of Synchronous Operation

Figure 10.11 shows an example of synchronous operation.

In this example, synchronous operation and PWM mode 1 have been designated for channels 0 to 2, TGRB\_0 compare match has been set as the channel 0 counter clearing source, and synchronous clearing has been set for the channel 1 and 2 counter clearing source.

Three-phase PWM waveforms are output from pins TIOCA0, TIOCA1, and TIOCA2. At this time, synchronous presetting and synchronous clearing by TGRB\_0 compare match are performed for channel 0 to 2 TCNT counters, and the data set in TGRB\_0 is used as the PWM cycle.

For details on PWM modes, see section 10.4.5, PWM Modes.



**Figure 10.11 Example of Synchronous Operation**

### 10.4.3 Buffer Operation

Buffer operation, provided for channels 0 and 3, enables TGRC and TGRD to be used as buffer registers.

Buffer operation differs depending on whether TGR has been designated as an input capture register or a compare match register.

Table 10.29 shows the register combinations used in buffer operation.

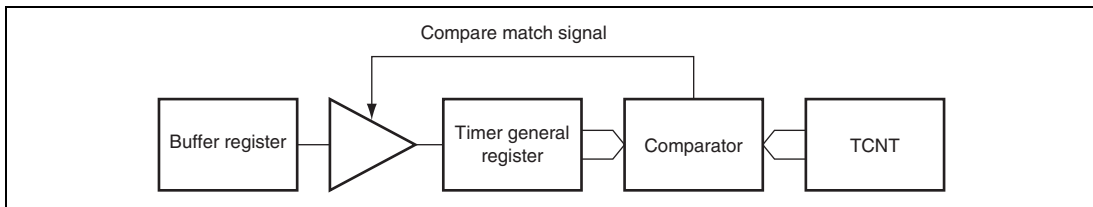
**Table 10.29 Register Combinations in Buffer Operation**

Channel	Timer General Register	Buffer Register
0	TGRA_0	TGRC_0
	TGRB_0	TGRD_0
3	TGRA_3	TGRC_3
	TGRB_3	TGRD_3

- When TGR is an output compare register

When a compare match occurs, the value in the buffer register for the corresponding channel is transferred to the timer general register.

This operation is illustrated in figure 10.12.



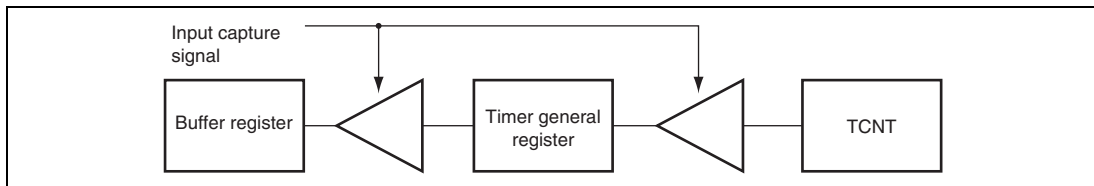
**Figure 10.12 Compare Match Buffer Operation**



- When TGR is an input capture register

When input capture occurs, the value in TCNT is transferred to TGR and the value previously held in TGR is transferred to the buffer register.

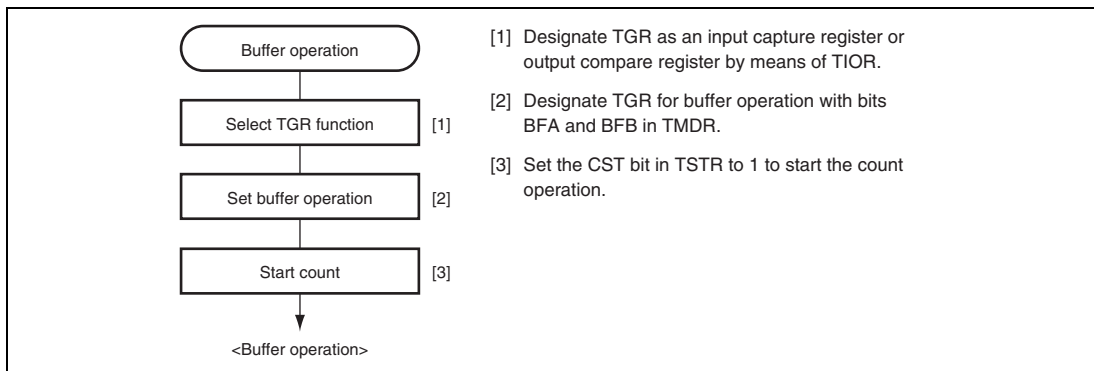
This operation is illustrated in figure 10.13.



**Figure 10.13 Input Capture Buffer Operation**

### (1) Example of Buffer Operation Setting Procedure

Figure 10.14 shows an example of the buffer operation setting procedure.



**Figure 10.14 Example of Buffer Operation Setting Procedure**

## (2) Examples of Buffer Operation

### (a) When TGR is an output compare register

Figure 10.15 shows an operation example in which PWM mode 1 has been designated for channel 0, and buffer operation has been designated for TGRA and TGRC. The settings used in this example are TCNT clearing by compare match B, 1 output at compare match A, and 0 output at compare match B.

As buffer operation has been set, when compare match A occurs, the output changes and the value in buffer register TGRA is simultaneously transferred to timer general register TGRA. This operation is repeated each time compare match A occurs.

For details on PWM modes, see section 10.4.5, PWM Modes.

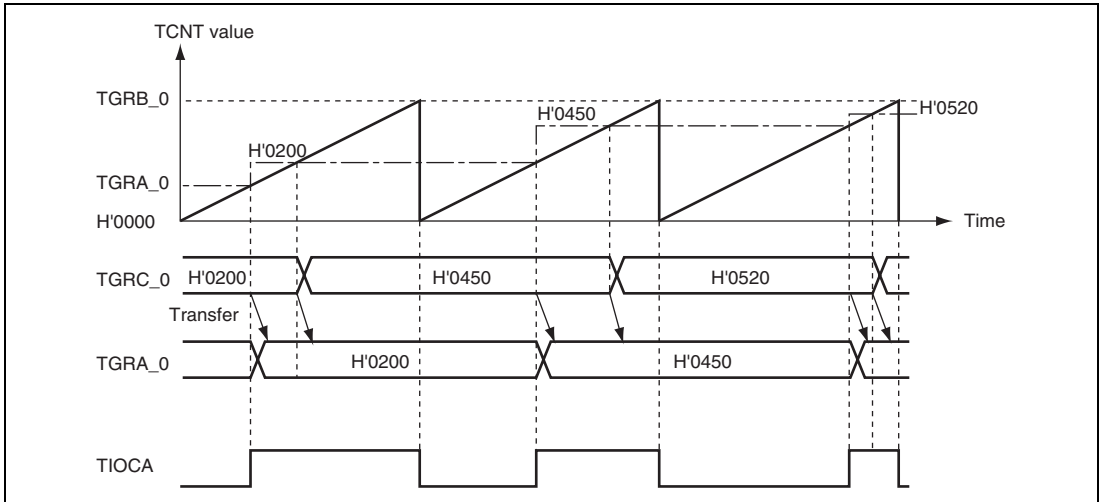


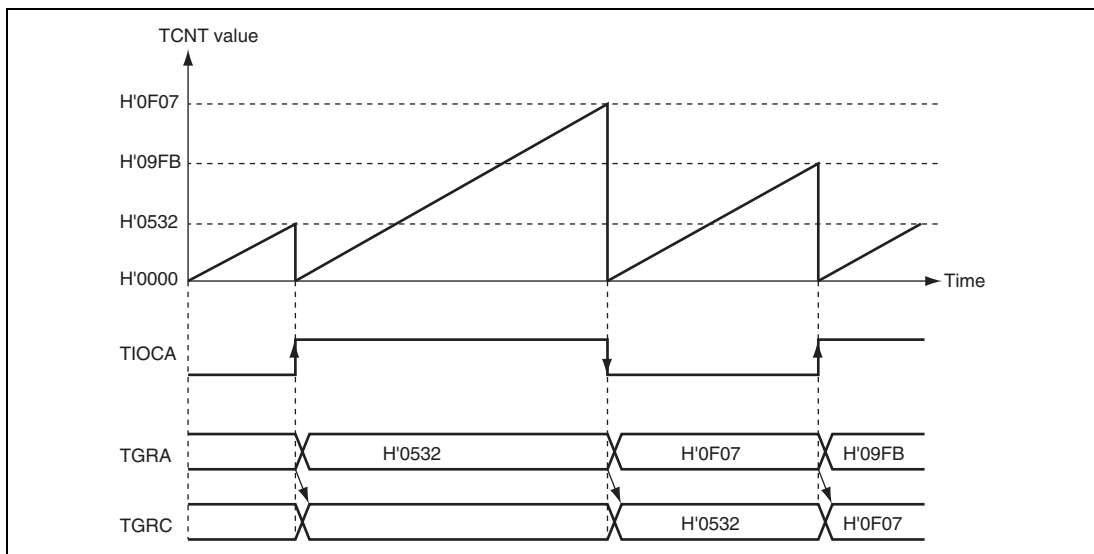
Figure 10.15 Example of Buffer Operation (1)

**(b) When TGR is an input capture register**

Figure 10.16 shows an operation example in which TGRA has been designated as an input capture register, and buffer operation has been designated for TGRA and TGRC.

Counter clearing by TGRA input capture has been set for TCNT, and both rising and falling edges have been selected as the TIOCA pin input capture input edge.

As buffer operation has been set, when the TCNT value is stored in TGRA upon occurrence of input capture A, the value previously stored in TGRA is simultaneously transferred to TGRC.



**Figure 10.16 Example of Buffer Operation (2)**

### 10.4.4 Cascaded Operation

In cascaded operation, two 16-bit counters for different channels are used together as a 32-bit counter.

This function works by counting the channel 1 (channel 4) counter clock at overflow/underflow of TCNT\_2 (TCNT\_5) as set in bits TPSC2 to TPSC0 in TCR.

Underflow occurs only when the lower 16-bit TCNT is in phase-counting mode.

Table 10.30 shows the register combinations used in cascaded operation.

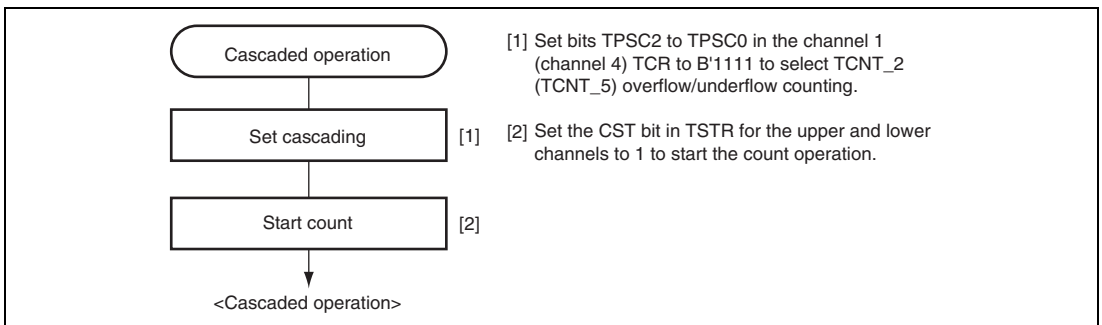
Note: When phase counting mode is set for channel 1 or 4, the counter clock setting is invalid and the counter operates independently in phase counting mode.

**Table 10.30 Cascaded Combinations**

Combination	Upper 16 Bits	Lower 16 Bits
Channels 1 and 2	TCNT_1	TCNT_2
Channels 4 and 5	TCNT_4	TCNT_5

#### (1) Example of Cascaded Operation Setting Procedure

Figure 10.17 shows an example of the setting procedure for cascaded operation.

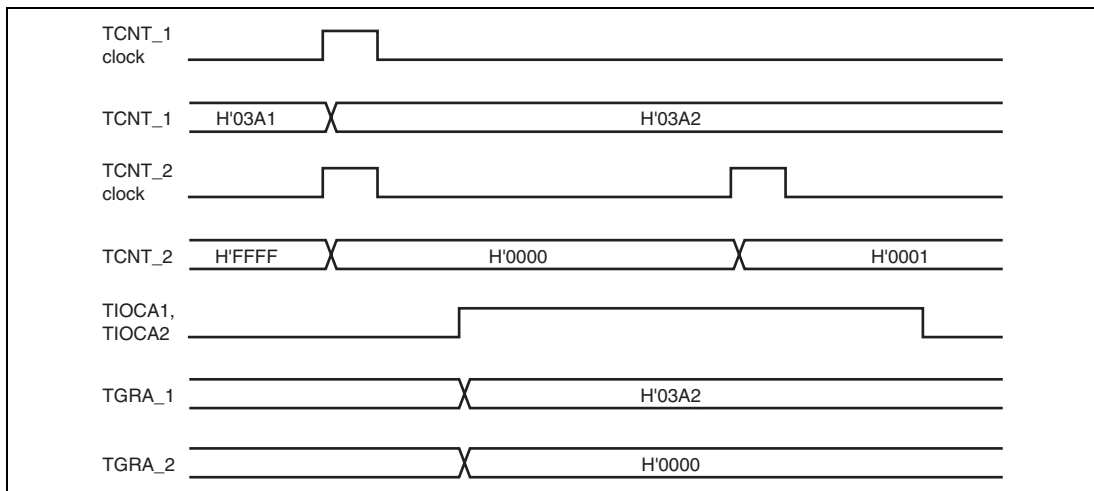


**Figure 10.17 Example of Cascaded Operation Setting Procedure**

## (2) Examples of Cascaded Operation

Figure 10.18 illustrates the operation when counting upon TCNT\_2 overflow/underflow has been set for TCNT\_1, TGRA\_1 and TGRA\_2 have been designated as input capture registers, and the TIOC pin rising edge has been selected.

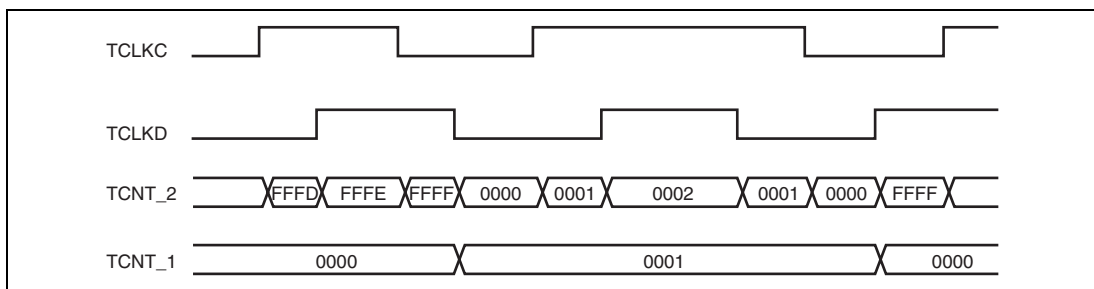
When a rising edge is input to the TIOCA1 and TIOCA2 pins simultaneously, the upper 16 bits of the 32-bit data are transferred to TGRA\_1, and the lower 16 bits to TGRA\_2.



**Figure 10.18 Example of Cascaded Operation (1)**

Figure 10.19 illustrates the operation when counting upon TCNT\_2 overflow/underflow has been set for TCNT\_1, and phase counting mode has been designated for channel 2.

TCNT\_1 is incremented by TCNT\_2 overflow and decremented by TCNT\_2 underflow.



**Figure 10.19 Example of Cascaded Operation (2)**

### 10.4.5 PWM Modes

In PWM mode, PWM waveforms are output from the output pins. 0-, 1-, or toggle-output can be selected as the output level in response to compare match of each TGR.

Settings of TGR registers can output a PWM waveform in the range of 0% to 100% duty cycle.

Designating TGR compare match as the counter clearing source enables the cycle to be set in that register. All channels can be designated for PWM mode independently. Synchronous operation is also possible.

There are two PWM modes, as described below.

#### (a) PWM mode 1

PWM output is generated from the TIOCA and TIOCC pins by pairing TGRA with TGRB and TGRC with TGRD. The outputs specified by bits IOA3 to IOA0 and IOC3 to IOC0 in TIOR are output from the TIOCA and TIOCC pins at compare matches A and C, respectively. The outputs specified by bits IOB3 to IOB0 and IOD3 to IOD0 in TIOR are output at compare matches B and D, respectively. The initial output value is the value set in TGRA or TGRC. If the set values of paired TGRs are identical, the output value does not change when a compare match occurs.

In PWM mode 1, a maximum 8-phase PWM output is possible.

#### (b) PWM mode 2

PWM output is generated using one TGR as the cycle register and the others as duty cycle registers. The output specified in TIOR is performed by means of compare matches. Upon counter clearing by a cycle register compare match, the output value of each pin is the initial value set in TIOR. If the set values of the cycle and duty cycle registers are identical, the output value does not change when a compare match occurs.

In PWM mode 2, a maximum 15-phase PWM output is possible by combined use with synchronous operation.

The correspondence between PWM output pins and registers is shown in table 10.31.

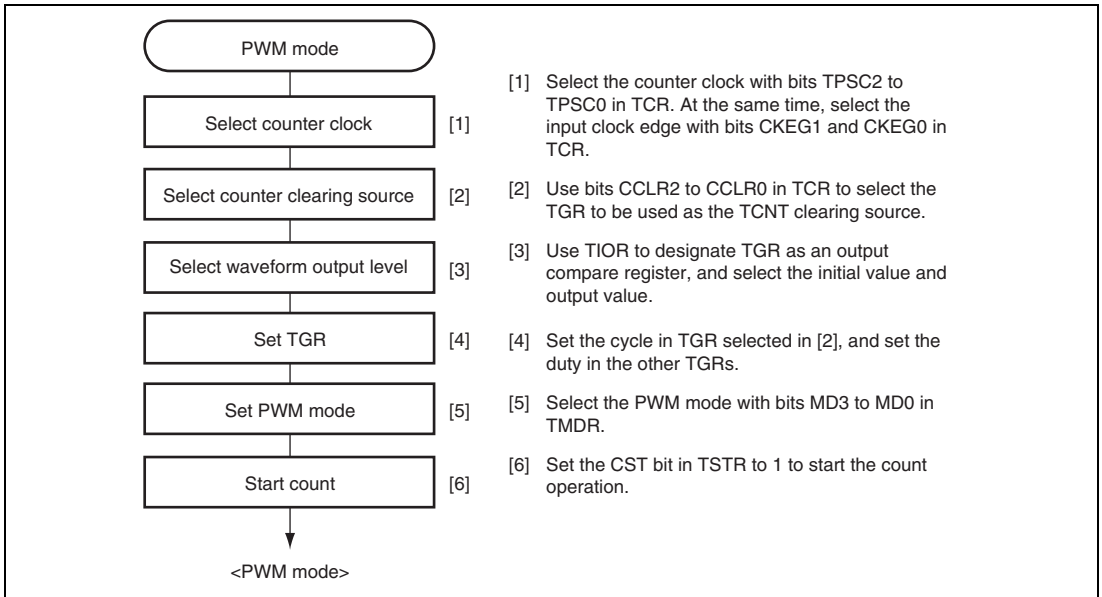
**Table 10.31 PWM Output Registers and Output Pins**

Channel	Registers	Output Pins	
		PWM Mode 1	PWM Mode 2
0	TGRA_0	TIOCA0	TIOCA0
	TGRB_0		TIOCB0
	TGRC_0	TIOCC0	TIOCC0
	TGRD_0		TIOCD0
1	TGRA_1	TIOCA1	TIOCA1
	TGRB_1		TIOCB1
2	TGRA_2	TIOCA2	TIOCA2
	TGRB_2		TIOCB2
3	TGRA_3	TIOCA3	TIOCA3
	TGRB_3		TIOCB3
	TGRC_3	TIOCC3	TIOCC3
	TGRD_3		TIOCD3
4	TGRA_4	TIOCA4	TIOCA4
	TGRB_4		TIOCB4
5	TGRA_5	TIOCA5	TIOCA5
	TGRB_5		TIOCB5

Note: In PWM mode 2, PWM output is not possible for the TGR register in which the cycle is set.

**(1) Example of PWM Mode Setting Procedure**

Figure 10.20 shows an example of the PWM mode setting procedure.



**Figure 10.20 Example of PWM Mode Setting Procedure**

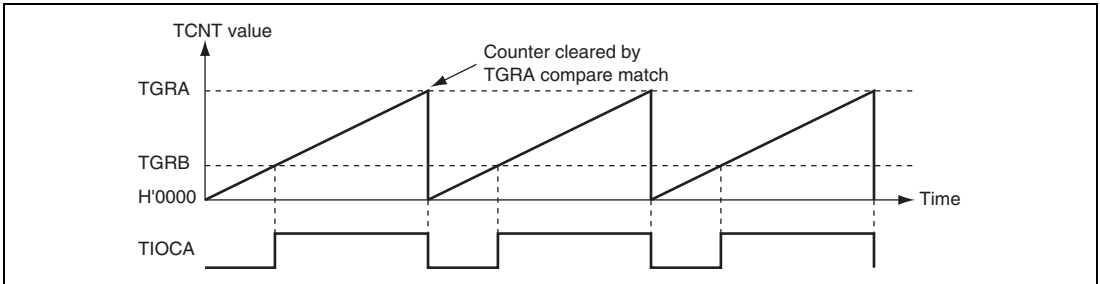


## (2) Examples of PWM Mode Operation

Figure 10.21 shows an example of PWM mode 1 operation.

In this example, TGRA compare match is set as the TCNT clearing source, 0 is set for the TGRA initial output value and output value, and 1 is set as the TGRB output value.

In this case, the value set in TGRA is used as the cycle, and the value set in TGRB register as the duty cycle.

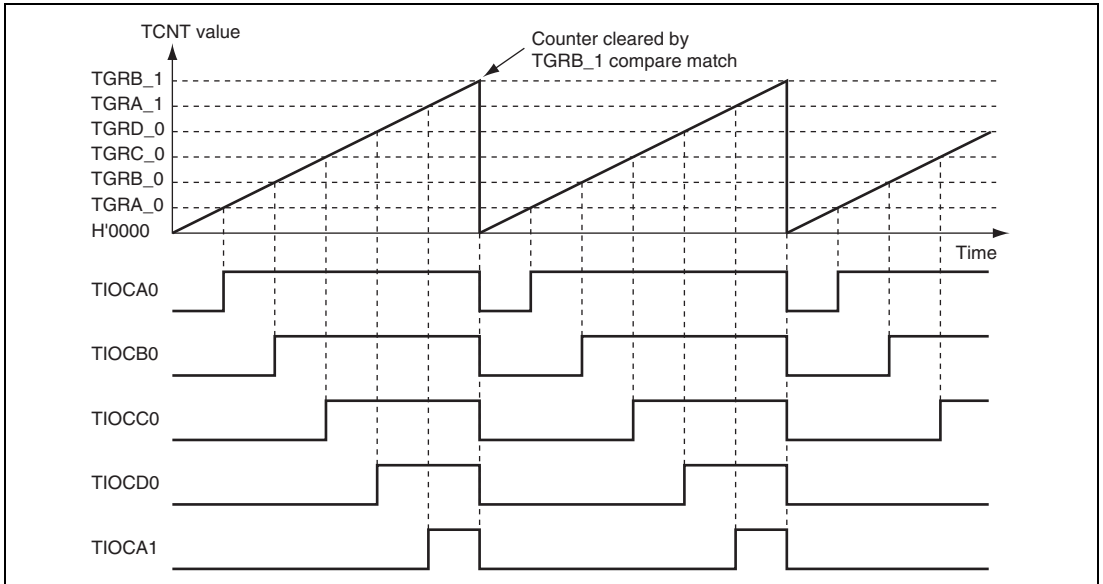


**Figure 10.21 Example of PWM Mode Operation (1)**

Figure 10.22 shows an example of PWM mode 2 operation.

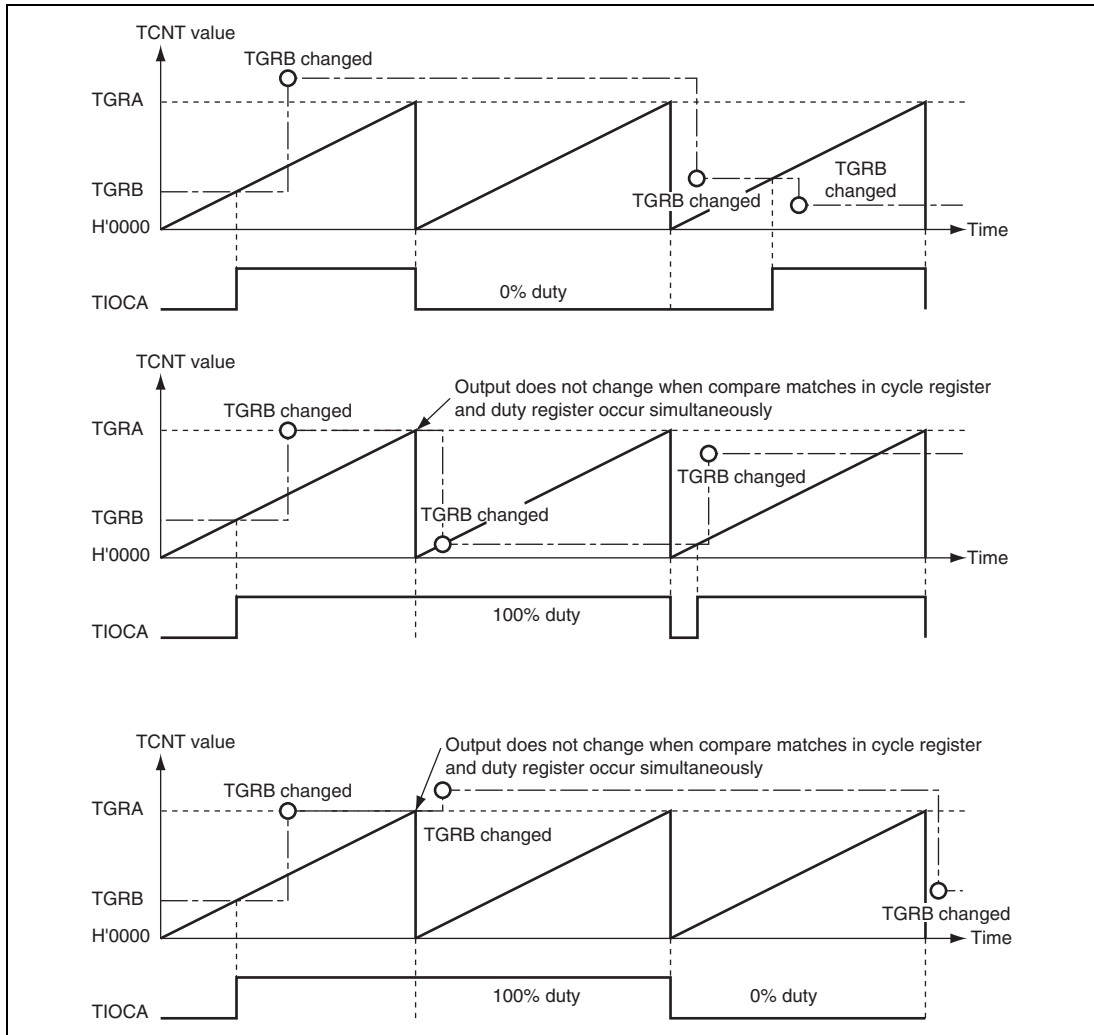
In this example, synchronous operation is designated for channels 0 and 1, TGRB\_1 compare match is set as the TCNT clearing source, and 0 is set for the initial output value and 1 for the output value of the other TGR registers (TGRA\_0 to TGRD\_0, TGRA\_1), to output a 5-phase PWM waveform.

In this case, the value set in TGRB\_1 is used as the cycle, and the values set in the other TGRs as the duty cycle.



**Figure 10.22 Example of PWM Mode Operation (2)**

Figure 10.23 shows examples of PWM waveform output with 0% duty cycle and 100% duty cycle in PWM mode.



**Figure 10.23 Example of PWM Mode Operation (3)**

### 10.4.6 Phase Counting Mode

In phase counting mode, the phase difference between two external clock inputs is detected and TCNT is incremented/decremented accordingly. This mode can be set for channels 1, 2, 4, and 5.

When phase counting mode is set, an external clock is selected as the counter input clock and TCNT operates as an up/down-counter regardless of the setting of bits TPSC2 to TPSC0 and bits CKEG1 and CKEG0 in TCR. However, the functions of bits CCLR1 and CCLR0 in TCR, and of TIOR, TIER, and TGR are valid, and input capture/compare match and interrupt functions can be used.

This can be used for two-phase encoder pulse input.

When overflow occurs while TCNT is counting up, the TCFV flag in TSR is set; when underflow occurs while TCNT is counting down, the TCFU flag is set.

The TCFD bit in TSR is the count direction flag. Reading the TCFD flag provides an indication of whether TCNT is counting up or down.

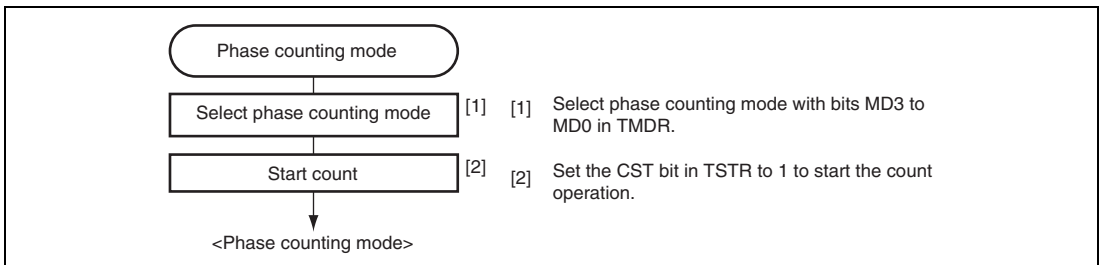
Table 10.32 shows the correspondence between external clock pins and channels.

**Table 10.32 Clock Input Pins in Phase Counting Mode**

Channels	External Clock Pins	
	A-Phase	B-Phase
When channel 1 or 5 is set to phase counting mode	TCLKA	TCLKB
When channel 2 or 4 is set to phase counting mode	TCLKC	TCLKD

#### (1) Example of Phase Counting Mode Setting Procedure

Figure 10.24 shows an example of the phase counting mode setting procedure.



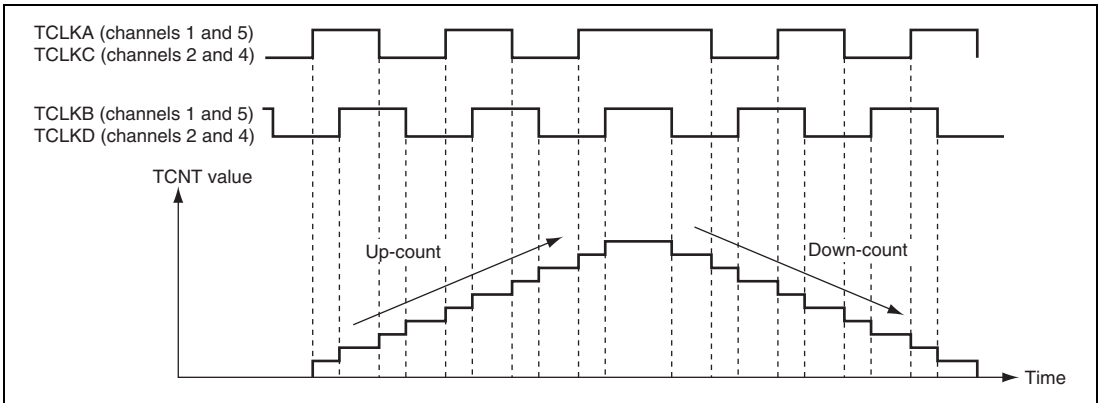
**Figure 10.24 Example of Phase Counting Mode Setting Procedure**

## (2) Examples of Phase Counting Mode Operation

In phase counting mode, TCNT counts up or down according to the phase difference between two external clocks. There are four modes, according to the count conditions.

### (a) Phase counting mode 1

Figure 10.25 shows an example of phase counting mode 1 operation, and table 10.33 summarizes the TCNT up/down-count conditions.



**Figure 10.25 Example of Phase Counting Mode 1 Operation**

**Table 10.33 Up/Down-Count Conditions in Phase Counting Mode 1**

TCLKA (Channels 1 and 5) TCLKC (Channels 2 and 4)	TCLKB (Channels 1 and 5) TCLKD (Channels 2 and 4)	Operation
High level		Up-count
Low level		
	Low level	
	High level	
High level		Down-count
Low level		
	High level	
	Low level	

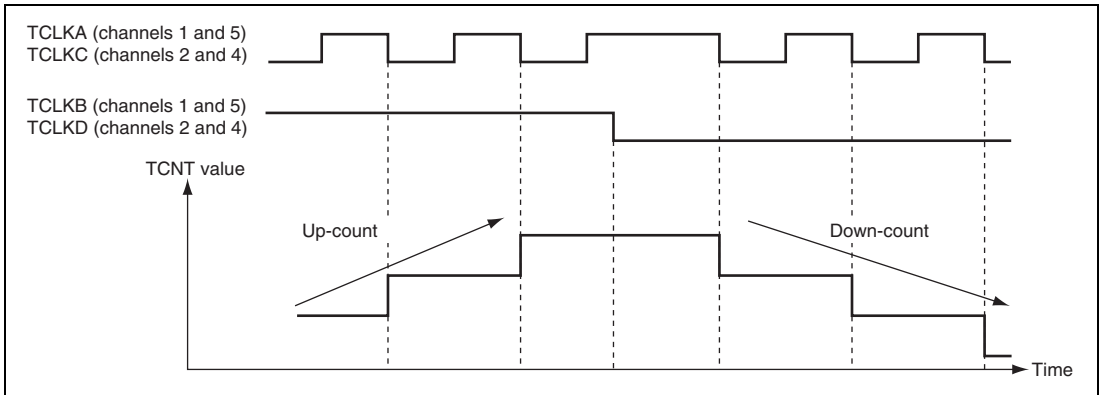
[Legend]

: Rising edge

: Falling edge

**(b) Phase counting mode 2**

Figure 10.26 shows an example of phase counting mode 2 operation, and table 10.34 summarizes the TCNT up/down-count conditions.



**Figure 10.26 Example of Phase Counting Mode 2 Operation**

**Table 10.34 Up/Down-Count Conditions in Phase Counting Mode 2**

TCLKA (Channels 1 and 5) TCLKC (Channels 2 and 4)	TCLKB (Channels 1 and 5) TCLKD (Channels 2 and 4)	Operation
High level		Don't care
Low level		Don't care
	Low level	Don't care
	High level	Up-count
High level		Don't care
Low level		Don't care
	High level	Don't care
	Low level	Down-count

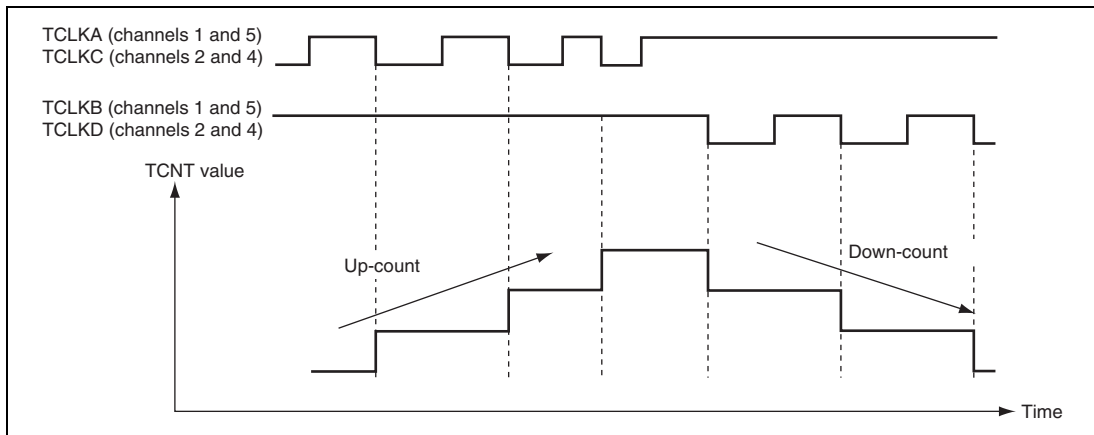
[Legend]

: Rising edge

: Falling edge

**(c) Phase counting mode 3**

Figure 10.27 shows an example of phase counting mode 3 operation, and table 10.35 summarizes the TCNT up/down-count conditions.



**Figure 10.27 Example of Phase Counting Mode 3 Operation**

**Table 10.35 Up/Down-Count Conditions in Phase Counting Mode 3**

TCLKA (Channels 1 and 5) TCLKC (Channels 2 and 4)	TCLKB (Channels 1 and 5) TCLKD (Channels 2 and 4)	Operation
High level		Don't care
Low level		Don't care
	Low level	Don't care
	High level	Up-count
High level		Down-count
Low level		Don't care
	High level	Don't care
	Low level	Don't care

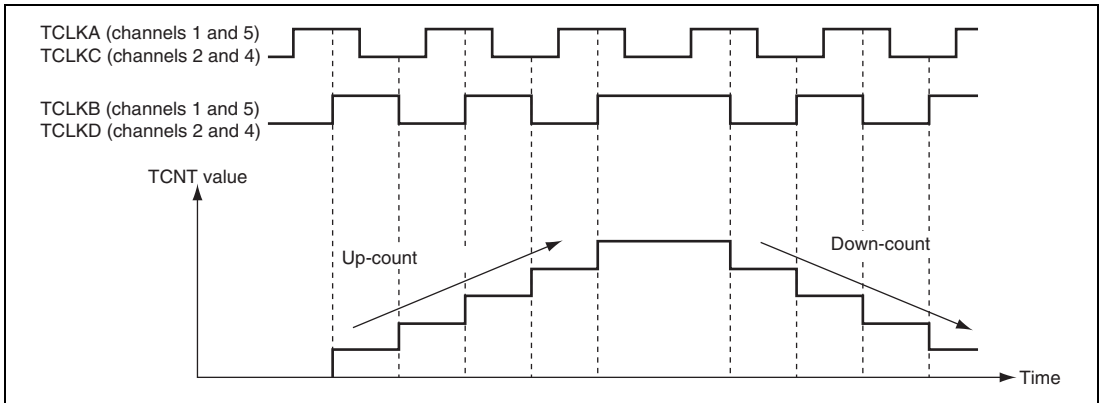
[Legend]

: Rising edge

: Falling edge

**(d) Phase counting mode 4**

Figure 10.28 shows an example of phase counting mode 4 operation, and table 10.36 summarizes the TCNT up/down-count conditions.



**Figure 10.28 Example of Phase Counting Mode 4 Operation**

**Table 10.36 Up/Down-Count Conditions in Phase Counting Mode 4**

TCLKA (Channels 1 and 5) TCLKC (Channels 2 and 4)	TCLKB (Channels 1 and 5) TCLKD (Channels 2 and 4)	Operation
High level		Up-count
Low level		Up-count
	Low level	Don't care
	High level	Don't care
High level		Down-count
Low level		Down-count
	High level	Don't care
	Low level	Don't care

[Legend]

: Rising edge  
: Falling edge



### (3) Phase Counting Mode Application Example

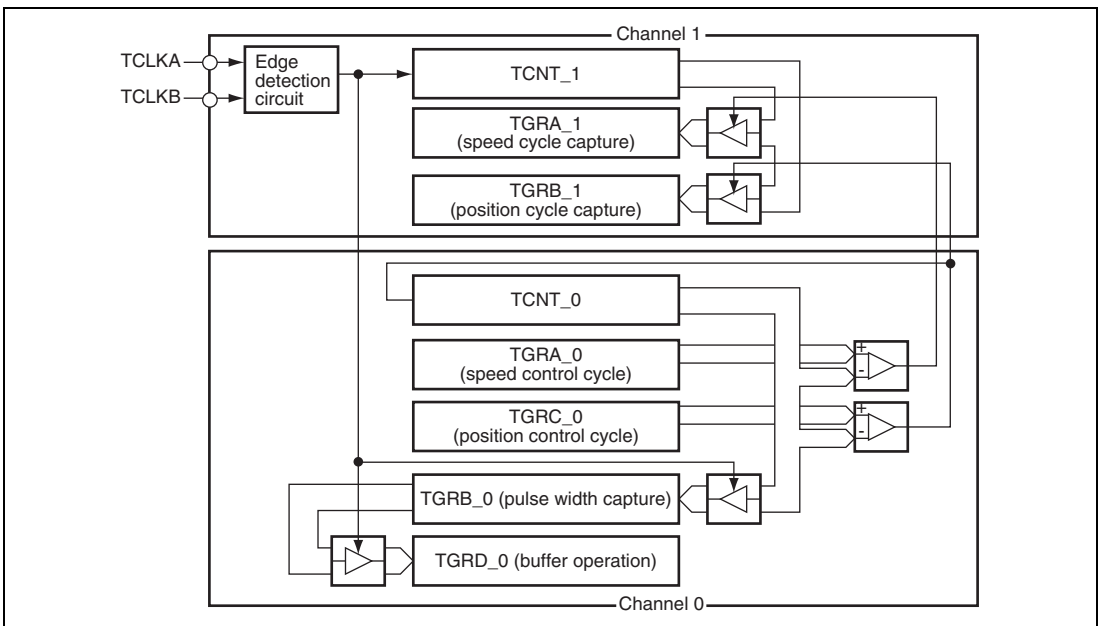
Figure 10.29 shows an example in which phase counting mode is designated for channel 1, and channel 1 is coupled with channel 0 to input servo motor 2-phase encoder pulses in order to detect the position or speed.

Channel 1 is set to phase counting mode 1, and the encoder pulse A-phase and B-phase are input to TCLKA and TCLKB.

Channel 0 operates with TCNT counter clearing by TGRC\_0 compare match; TGRA\_0 and TGRC\_0 are used for the compare match function and are set with the speed control cycle and position control cycle. TGRB\_0 is used for input capture, with TGRB\_0 and TGRD\_0 operating in buffer mode. The channel 1 counter input clock is designated as the TGRB\_0 input capture source, and the pulse width of 2-phase encoder 4-multiplication pulses is detected.

TGRA\_1 and TGRB\_1 for channel 1 are designated for input capture, channel 0 TGRA\_0 and TGRC\_0 compare matches are selected as the input capture source, and the up/down-counter values for the control cycles are stored.

This procedure enables accurate position/speed detection to be achieved.



**Figure 10.29 Phase Counting Mode Application Example**

## 10.5 Interrupt Sources

There are three kinds of TPU interrupt sources: TGR input capture/compare match, TCNT overflow, and TCNT underflow. Each interrupt source has its own status flag and enable/disable bit, allowing generation of interrupt request signals to be enabled or disabled individually.

When an interrupt request is generated, the corresponding status flag in TSR is set to 1. If the corresponding enable/disable bit in TIER is set to 1 at this time, an interrupt is requested. The interrupt request is cleared by clearing the status flag to 0.

Relative channel priority levels can be changed by the interrupt controller, but the priority within a channel is fixed. For details, see section 5, Interrupt Controller.

Table 10.37 lists the TPU interrupt sources.

**Table 10.37 TPU Interrupts**

Channel	Name	Interrupt Source	Interrupt Flag	DTC Activation	DMAC Activation
0	TGI0A	TGRA_0 input capture/compare match	TGFA_0	Possible	Possible
	TGI0B	TGRB_0 input capture/compare match	TGFB_0	Possible	Not possible
	TGI0C	TGRC_0 input capture/compare match	TGFC_0	Possible	Not possible
	TGI0D	TGRD_0 input capture/compare match	TGFD_0	Possible	Not possible
	TCI0V	TCNT_0 overflow	TCFV_0	Not possible	Not possible
1	TGI1A	TGRA_1 input capture/compare match	TGFA_1	Possible	Possible
	TGI1B	TGRB_1 input capture/compare match	TGFB_1	Possible	Not possible
	TCI1V	TCNT_1 overflow	TCFV_1	Not possible	Not possible
	TCI1U	TCNT_1 underflow	TCFU_1	Not possible	Not possible

Channel	Name	Interrupt Source	Interrupt Flag	DTC Activation	DMAC Activation
2	TGI2A	TGRA_2 input capture/ compare match	TGFA_2	Possible	Possible
	TGI2B	TGRB_2 input capture/ compare match	TGFB_2	Possible	Not possible
	TCI2V	TCNT_2 overflow	TCFV_2	Not possible	Not possible
	TCI2U	TCNT_2 underflow	TCFU_2	Not possible	Not possible
3	TGI3A	TGRA_3 input capture/ compare match	TGFA_3	Possible	Possible
	TGI3B	TGRB_3 input capture/ compare match	TGFB_3	Possible	Not possible
	TGI3C	TGRC_3 input capture/ compare match	TGFC_3	Possible	Not possible
	TGI3D	TGRD_3 input capture/ compare match	TGFD_3	Possible	Not possible
	TCI3V	TCNT_3 overflow	TCFV_3	Not possible	Not possible
4	TGI4A	TGRA_4 input capture/ compare match	TGFA_4	Possible	Possible
	TGI4B	TGRB_4 input capture/ compare match	TGFB_4	Possible	Not possible
	TCI4V	TCNT_4 overflow	TCFV_4	Not possible	Not possible
	TCI4U	TCNT_4 underflow	TCFU_4	Not possible	Not possible
5	TGI5A	TGRA_5 input capture/ compare match	TGFA_5	Possible	Possible
	TGI5B	TGRB_5 input capture/ compare match	TGFB_5	Possible	Not possible
	TCI5V	TCNT_5 overflow	TCFV_5	Not possible	Not possible
	TCI5U	TCNT_5 underflow	TCFU_5	Not possible	Not possible

Note: This table shows the initial state immediately after a reset. The relative channel priority levels can be changed by the interrupt controller.

### (1) Input Capture/Compare Match Interrupt

An interrupt is requested if the TGIE bit in TIER is set to 1 when the TGF flag in TSR is set to 1 by the occurrence of a TGR input capture/compare match on a channel. The interrupt request is cleared by clearing the TGF flag to 0. The TPU has 16 input capture/compare match interrupts, four each for channels 0 and 3, and two each for channels 1, 2, 4, and 5.

### (2) Overflow Interrupt

An interrupt is requested if the TCIEV bit in TIER is set to 1 when the TCFV flag in TSR is set to 1 by the occurrence of a TCNT overflow on a channel. The interrupt request is cleared by clearing the TCFV flag to 0. The TPU has six overflow interrupts, one for each channel.

### (3) Underflow Interrupt

An interrupt is requested if the TCIEU bit in TIER is set to 1 when the TCFU flag in TSR is set to 1 by the occurrence of a TCNT underflow on a channel. The interrupt request is cleared by clearing the TCFU flag to 0. The TPU has four underflow interrupts, one each for channels 1, 2, 4, and 5.

## 10.6 DTC Activation

The DTC can be activated by the TGR input capture/compare match interrupt for a channel. For details, see section 8, Data Transfer Controller (DTC).

A total of 16 TPU input capture/compare match interrupts can be used as DTC activation sources, four each for channels 0 and 3, and two each for channels 1, 2, 4, and 5.

## 10.7 DMAC Activation

The DMAC can be activated by the TGRA input capture/compare match interrupt for a channel. For details, see section 7, DMA Controller (DMAC).

In TPU, one in each channel, totally six TGRA input capture/compare match interrupts can be used as DMAC activation sources.

## 10.8 A/D Converter Activation

The TGRA input capture/compare match for each channel can activate the A/D converter.

If the TTGE bit in TIER is set to 1 when the TGFA flag in TSR is set to 1 by the occurrence of a TGRA input capture/compare match on a particular channel, a request to start A/D conversion is sent to the A/D converter. If the TPU conversion start trigger has been selected on the A/D converter side at this time, A/D conversion is started.

In the TPU, a total of six TGRA input capture/compare match interrupts can be used as A/D converter conversion start sources, one for each channel.

## 10.9 Operation Timing

### 10.9.1 Input/Output Timing

#### (1) TCNT Count Timing

Figure 10.30 shows TCNT count timing in internal clock operation, and figure 10.31 shows TCNT count timing in external clock operation.

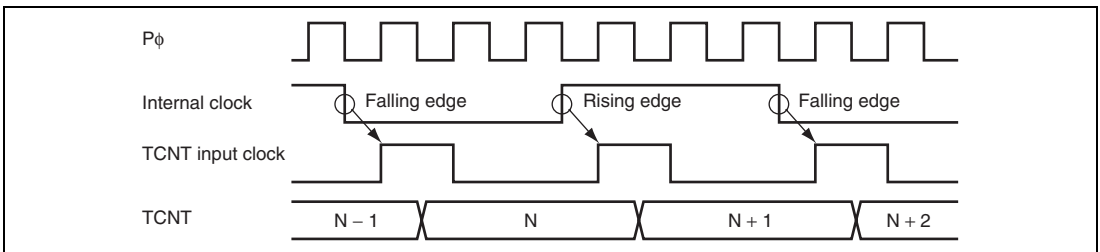


Figure 10.30 Count Timing in Internal Clock Operation

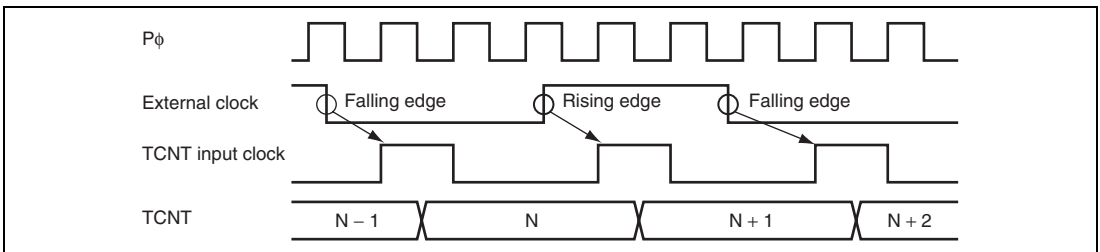
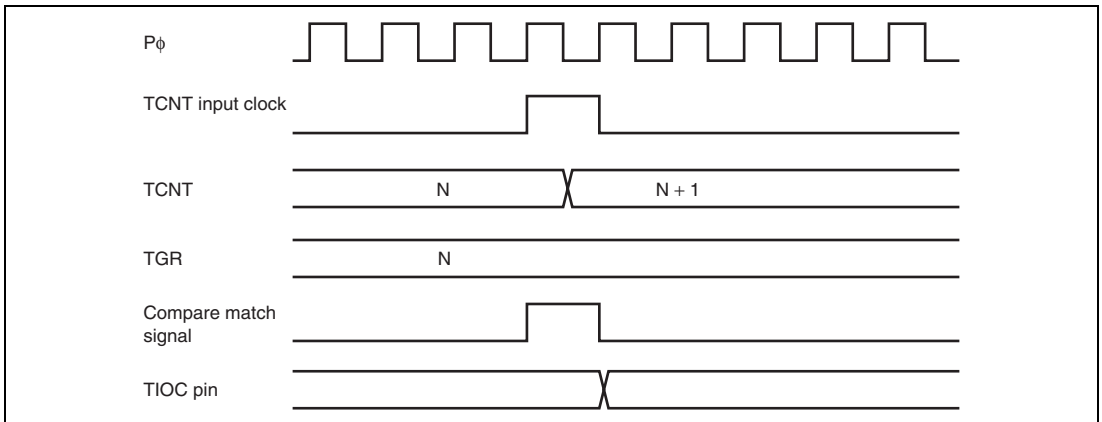


Figure 10.31 Count Timing in External Clock Operation

## (2) Output Compare Output Timing

A compare match signal is generated in the final state in which TCNT and TGR match (the point at which the count value matched by TCNT is updated). When a compare match signal is generated, the output value set in TIOR is output at the output compare output pin (TIOC pin). After a match between TCNT and TGR, the compare match signal is not generated until the TCNT input clock is generated.

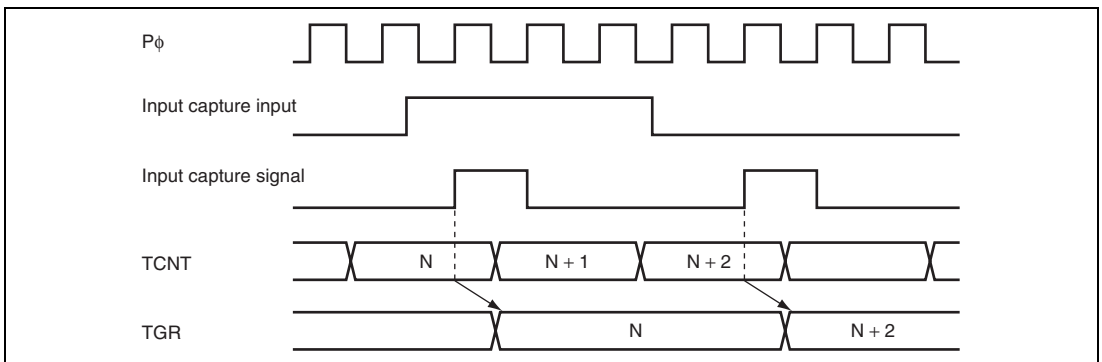
Figure 10.32 shows output compare output timing.



**Figure 10.32 Output Compare Output Timing**

## (3) Input Capture Signal Timing

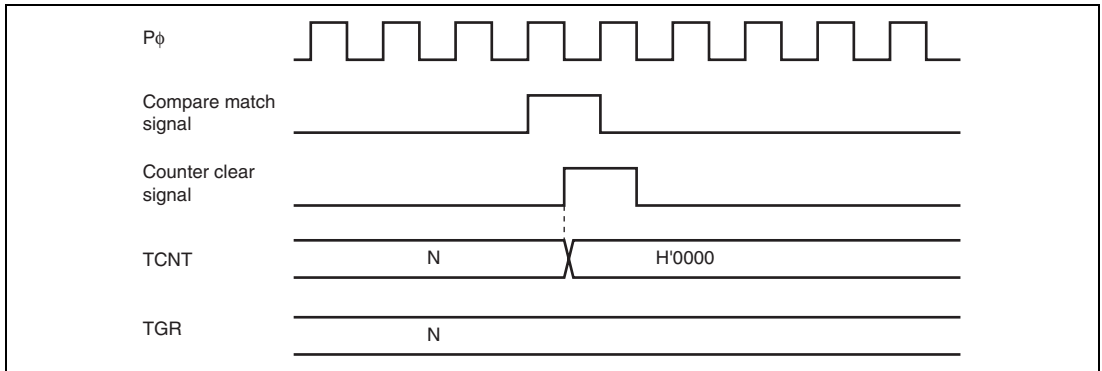
Figure 10.33 shows input capture signal timing.



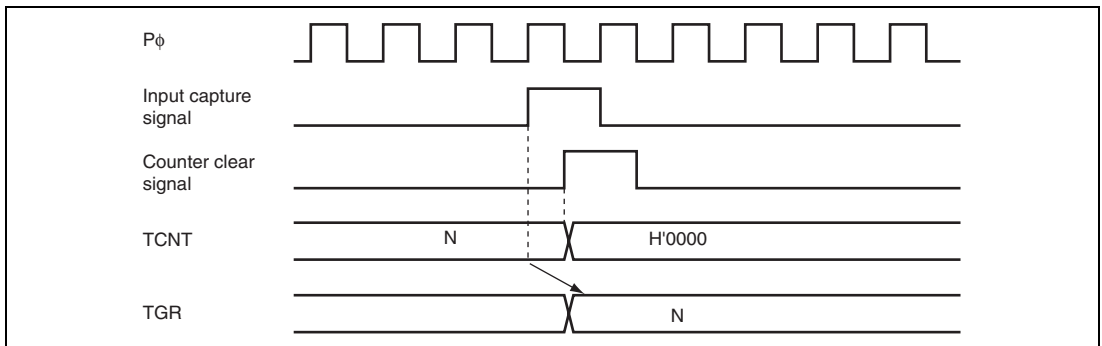
**Figure 10.33 Input Capture Input Signal Timing**

#### (4) Timing for Counter Clearing by Compare Match/Input Capture

Figure 10.34 shows the timing when counter clearing by compare match occurrence is specified, and figure 10.35 shows the timing when counter clearing by input capture occurrence is specified.



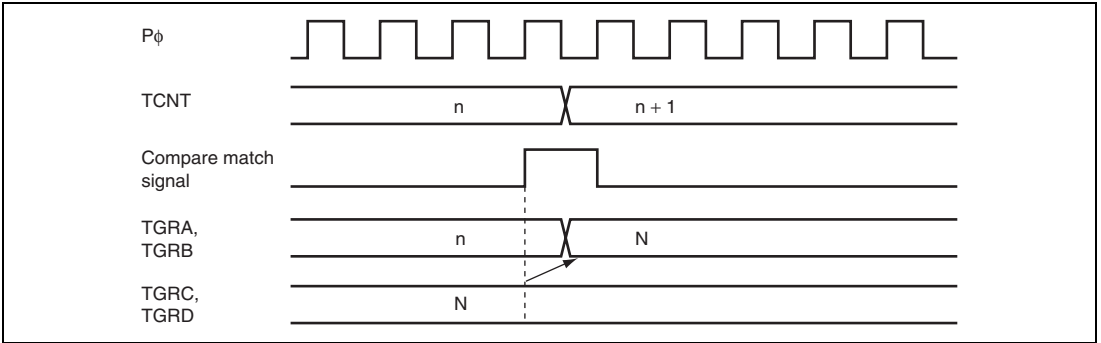
**Figure 10.34 Counter Clear Timing (Compare Match)**



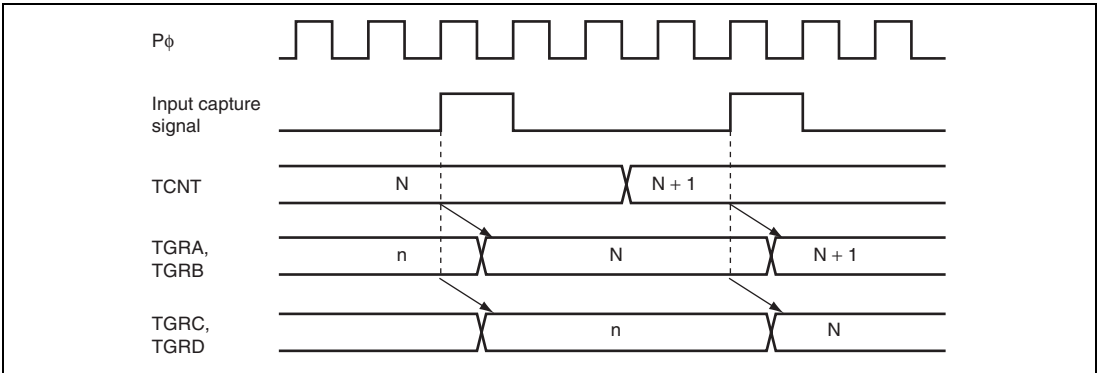
**Figure 10.35 Counter Clear Timing (Input Capture)**

**(5) Buffer Operation Timing**

Figures 10.36 and 10.37 show the timings in buffer operation.



**Figure 10.36 Buffer Operation Timing (Compare Match)**



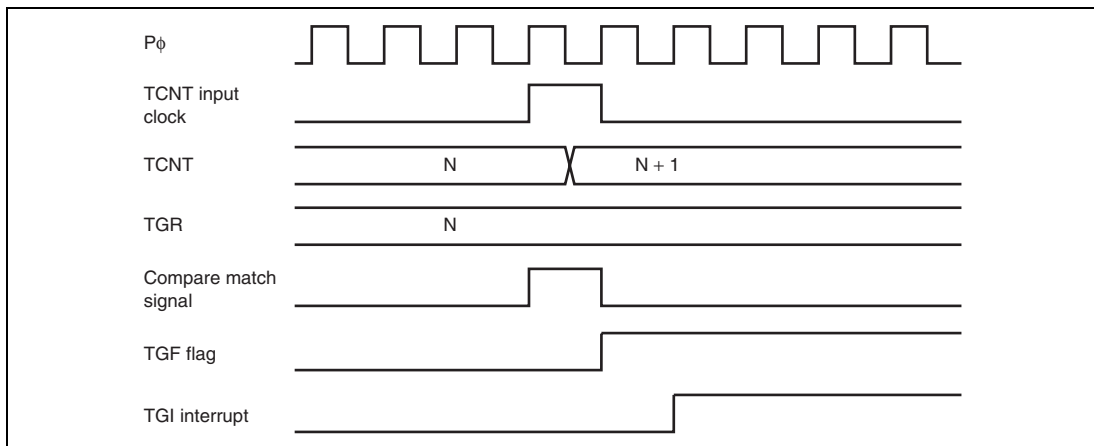
**Figure 10.37 Buffer Operation Timing (Input Capture)**



## 10.9.2 Interrupt Signal Timing

### (1) TGF Flag Setting Timing in Case of Compare Match

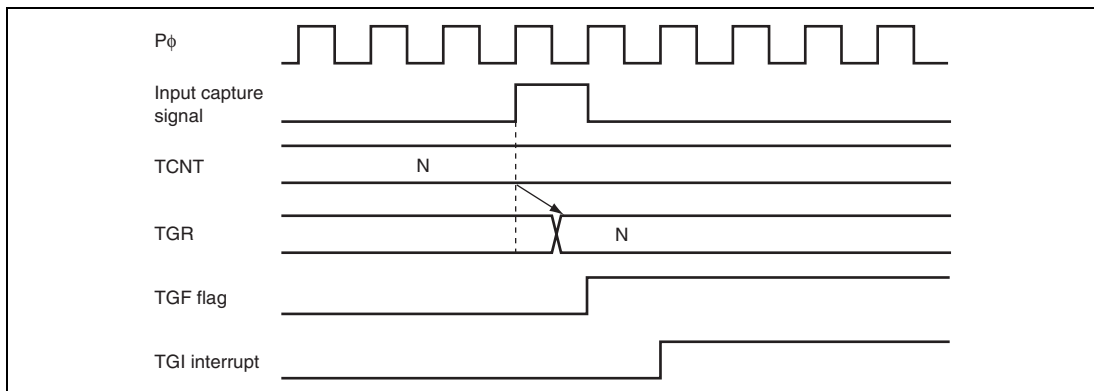
Figure 10.38 shows the timing for setting of the TGF flag in TSR by compare match occurrence, and the TGI interrupt request signal timing.



**Figure 10.38 TGI Interrupt Timing (Compare Match)**

### (2) TGF Flag Setting Timing in Case of Input Capture

Figure 10.39 shows the timing for setting of the TGF flag in TSR by input capture occurrence, and the TGI interrupt request signal timing.

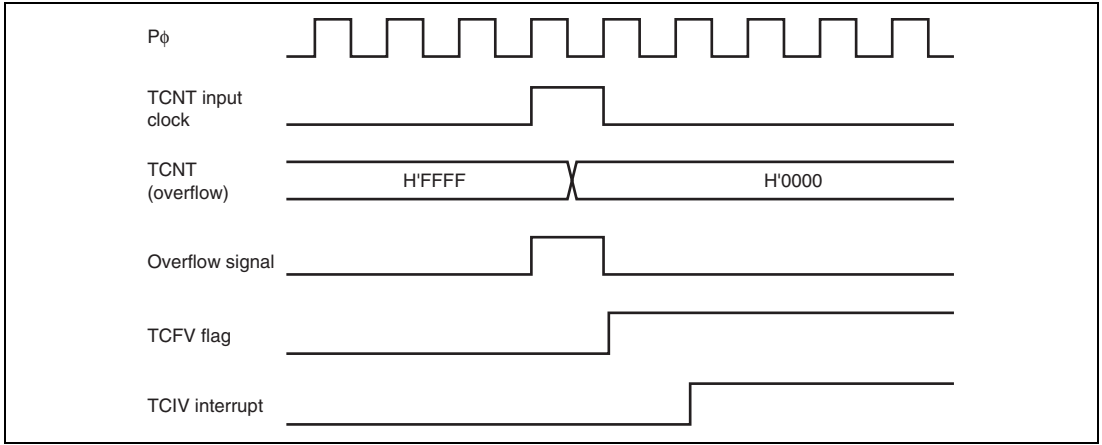


**Figure 10.39 TGI Interrupt Timing (Input Capture)**

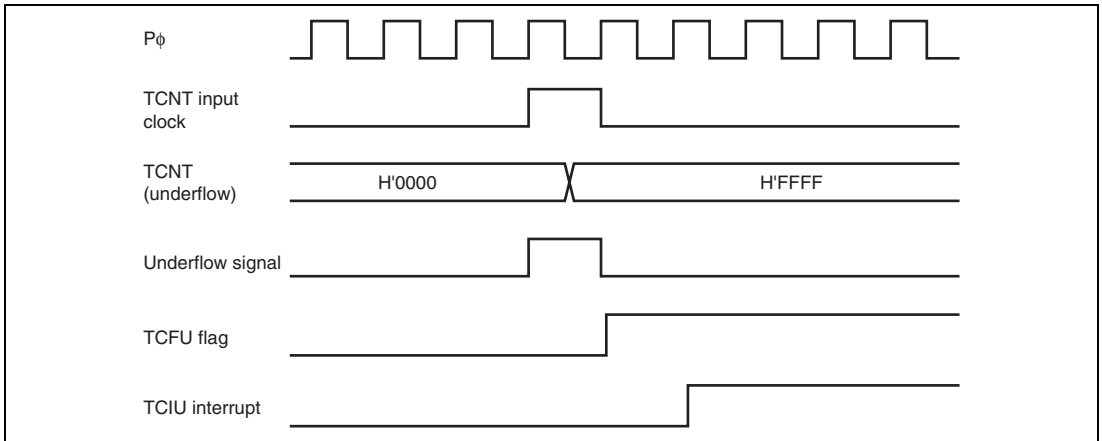
### (3) TCFV Flag/TCFU Flag Setting Timing

Figure 10.40 shows the timing for setting of the TCFV flag in TSR by overflow occurrence, and the TCIV interrupt request signal timing.

Figure 10.41 shows the timing for setting of the TCFU flag in TSR by underflow occurrence, and the TCIU interrupt request signal timing.



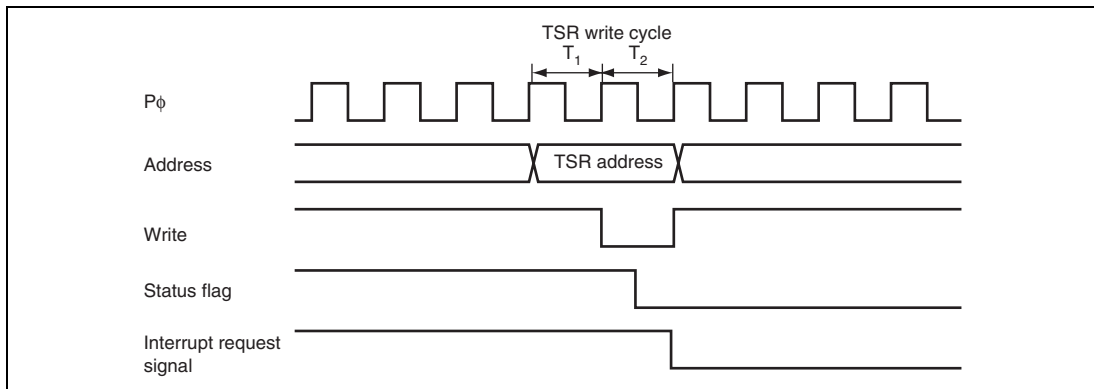
**Figure 10.40 TCIV Interrupt Setting Timing**



**Figure 10.41 TCIU Interrupt Setting Timing**

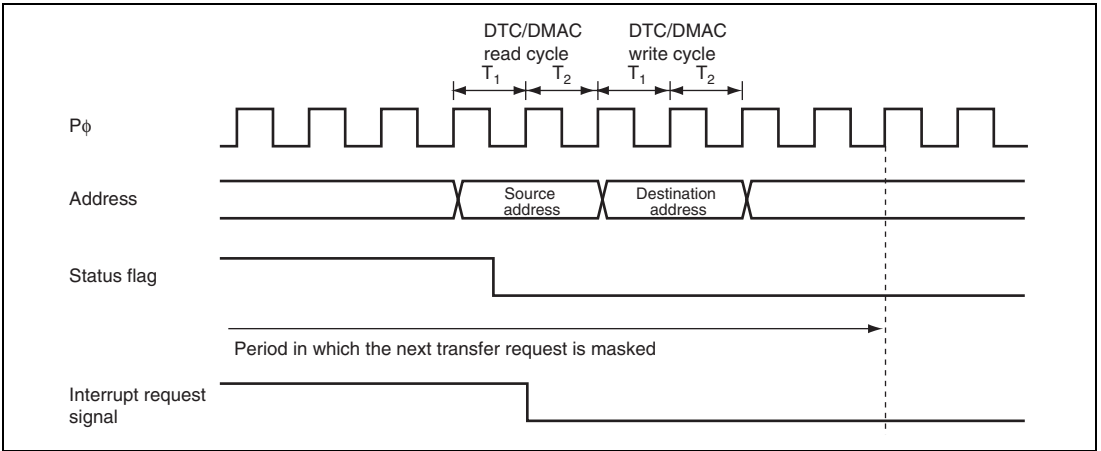
#### (4) Status Flag Clearing Timing

After a status flag is read as 1 by the CPU, it is cleared by writing 0 to it. When the DTC or DMAC is activated, the flag is cleared automatically. Figure 10.42 shows the timing for status flag clearing by the CPU, and figures 10.43 and 10.44 show the timing for status flag clearing by the DTC or DMAC.

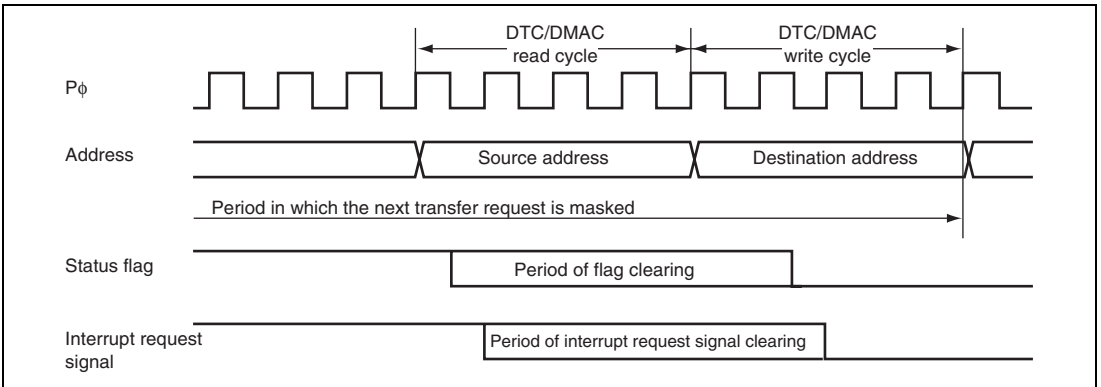


**Figure 10.42 Timing for Status Flag Clearing by CPU**

The status flag and interrupt request signal are cleared in synchronization with  $P\phi$  after the DTC or DMAC transfer has started, as shown in figure 10.43. If conflict occurs for clearing the status flag and interrupt request signal due to activation of multiple DTC or DMAC transfers, it will take up to five clock cycles ( $P\phi$ ) for clearing them, as shown in figure 10.44. The next transfer request is masked for a longer period of either a period until the current transfer ends or a period for five clock cycles ( $P\phi$ ) from the beginning of the transfer. Note that in the DTC transfer, the status flag may be cleared during outputting the destination address.



**Figure 10.43 Timing for Status Flag Clearing by DTC or DMAC Activation (1)**



**Figure 10.44 Timing for Status Flag Clearing by DTC or DMAC Activation (2)**

## 10.10 Usage Notes

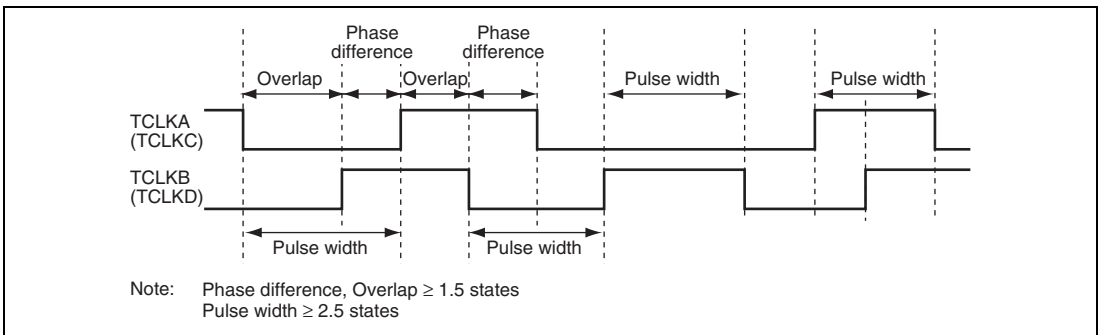
### 10.10.1 Module Stop Mode Setting

Operation of the TPU can be disabled or enabled using the module stop control register. The initial setting is for operation of the TPU to be halted. Register access is enabled by clearing module stop mode. For details, see section 19, Power-Down Modes.

### 10.10.2 Input Clock Restrictions

The input clock pulse width must be at least 1.5 states in the case of single-edge detection, and at least 2.5 states in the case of both-edge detection. The TPU will not operate properly with a narrower pulse width.

In phase counting mode, the phase difference and overlap between the two input clocks must be at least 1.5 states, and the pulse width must be at least 2.5 states. Figure 10.45 shows the input clock conditions in phase counting mode.



**Figure 10.45 Phase Difference, Overlap, and Pulse Width in Phase Counting Mode**

### 10.10.3 Caution on Cycle Setting

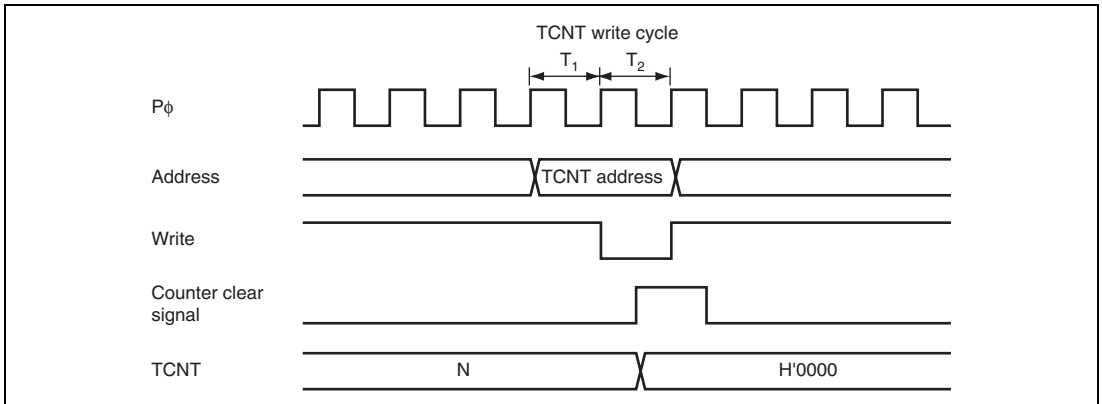
When counter clearing by compare match is set, TCNT is cleared in the final state in which it matches the TGR value (the point at which the count value matched by TCNT is updated). Consequently, the actual counter frequency is given by the following formula:

$$f = \frac{P\phi}{(N + 1)}$$

- f: Counter frequency
- P $\phi$ : Operating frequency
- N: TGR set value

### 10.10.4 Conflict between TCNT Write and Clear Operations

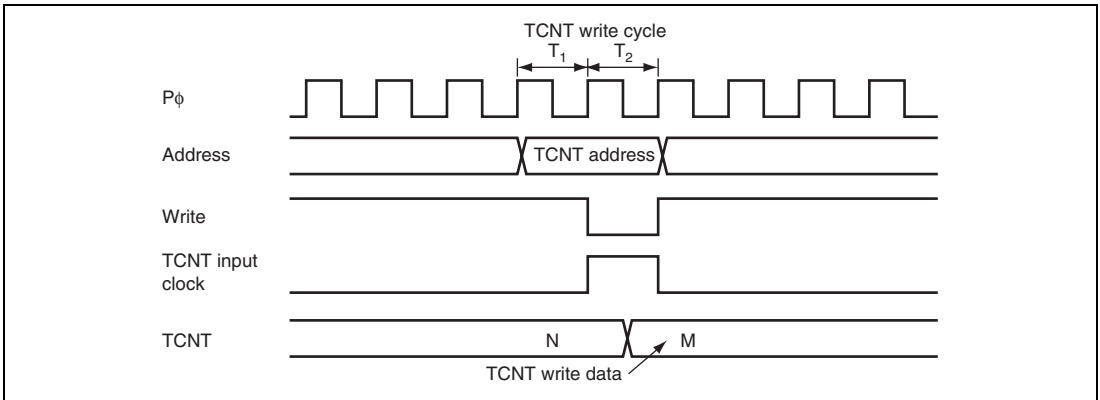
If the counter clearing signal is generated in the T2 state of a TCNT write cycle, TCNT clearing takes precedence and the TCNT write is not performed. Figure 10.46 shows the timing in this case.



**Figure 10.46 Conflict between TCNT Write and Clear Operations**

### 10.10.5 Conflict between TCNT Write and Increment Operations

If incrementing occurs in the T2 state of a TCNT write cycle, the TCNT write takes precedence and TCNT is not incremented. Figure 10.47 shows the timing in this case.

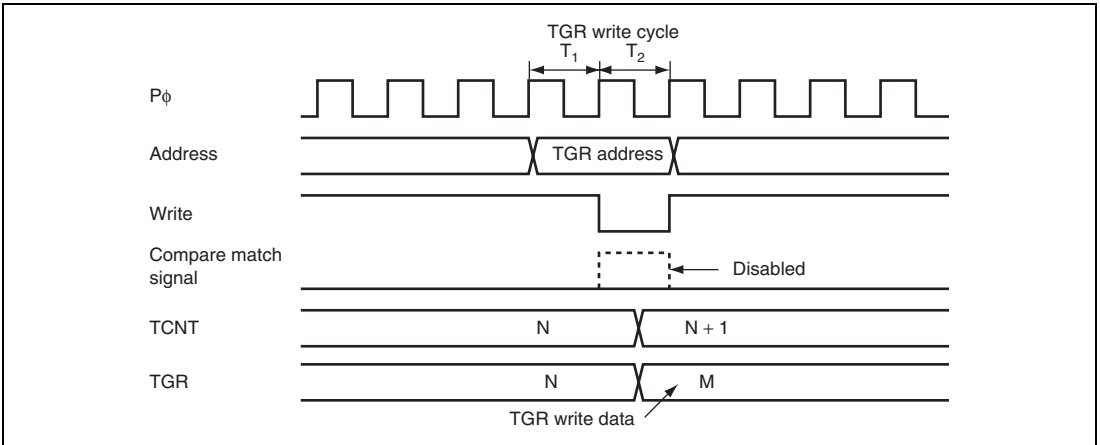


**Figure 10.47 Conflict between TCNT Write and Increment Operations**

### 10.10.6 Conflict between TGR Write and Compare Match

If a compare match occurs in the T2 state of a TGR write cycle, the TGR write takes precedence and the compare match signal is disabled. A compare match also does not occur when the same value as before is written.

Figure 10.48 shows the timing in this case.

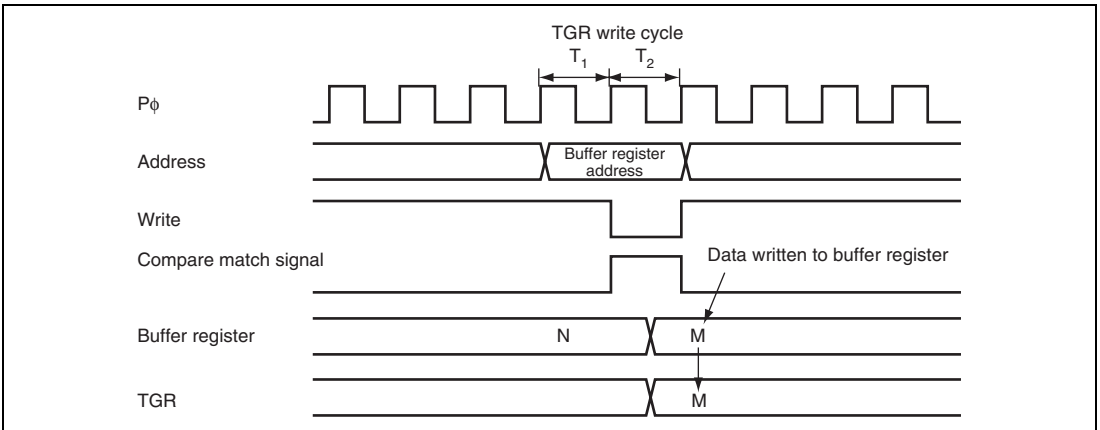


**Figure 10.48 Conflict between TGR Write and Compare Match**

### 10.10.7 Conflict between Buffer Register Write and Compare Match

If a compare match occurs in the  $T_2$  state of a TGR write cycle, the data transferred to TGR by the buffer operation will be the write data.

Figure 10.49 shows the timing in this case.



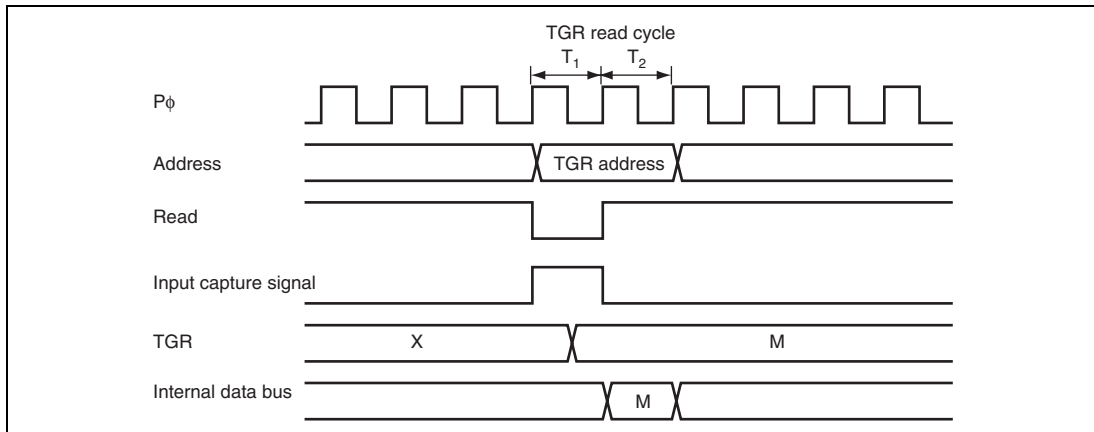
**Figure 10.49 Conflict between Buffer Register Write and Compare Match**



### 10.10.8 Conflict between TGR Read and Input Capture

If the input capture signal is generated in the T1 state of a TGR read cycle, the data that is read will be the data after input capture transfer.

Figure 10.50 shows the timing in this case.

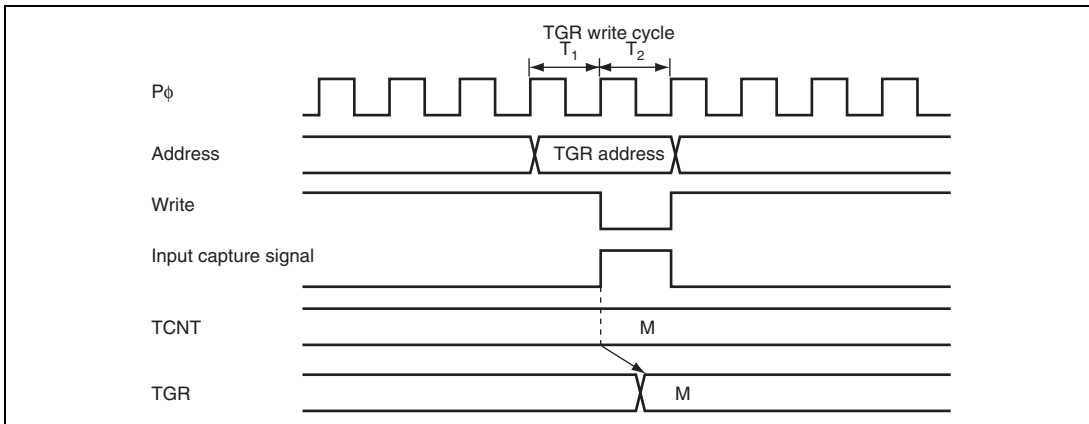


**Figure 10.50 Conflict between TGR Read and Input Capture**

### 10.10.9 Conflict between TGR Write and Input Capture

If the input capture signal is generated in the T2 state of a TGR write cycle, the input capture operation takes precedence and the write to TGR is not performed.

Figure 10.51 shows the timing in this case.

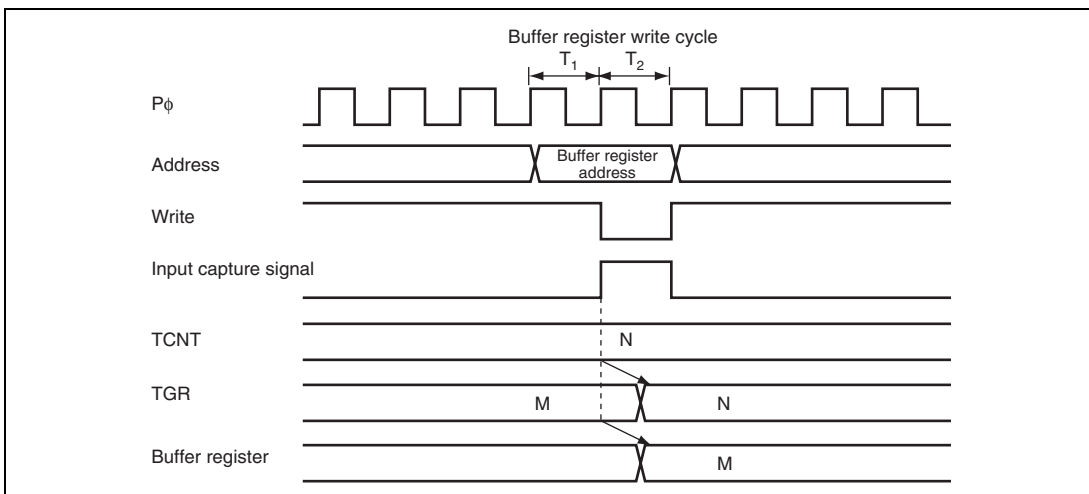


**Figure 10.51 Conflict between TGR Write and Input Capture**

### 10.10.10 Conflict between Buffer Register Write and Input Capture

If the input capture signal is generated in the T2 state of a buffer register write cycle, the buffer operation takes precedence and the write to the buffer register is not performed.

Figure 10.52 shows the timing in this case.

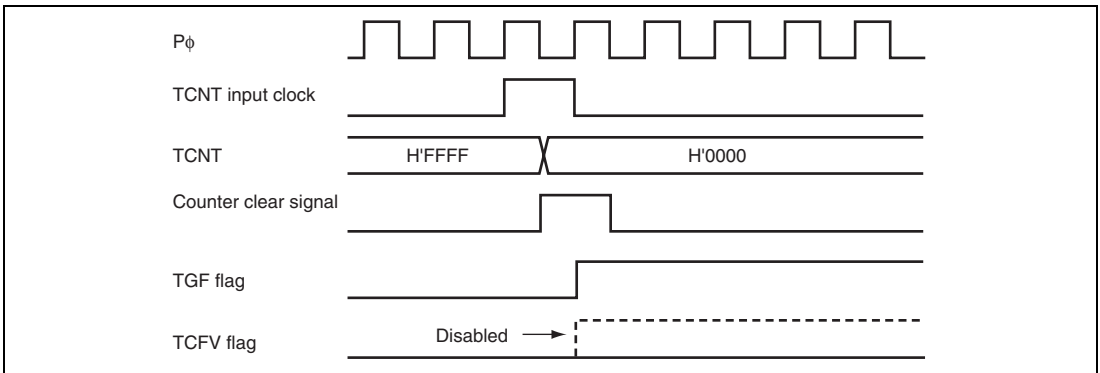


**Figure 10.52 Conflict between Buffer Register Write and Input Capture**

### 10.10.11 Conflict between Overflow/Underflow and Counter Clearing

If overflow/underflow and counter clearing occur simultaneously, the TCFV/TCFU flag in TSR is not set and TCNT clearing takes precedence.

Figure 10.53 shows the operation timing when a TGR compare match is specified as the clearing source, and H'FFFF is set in TGR.

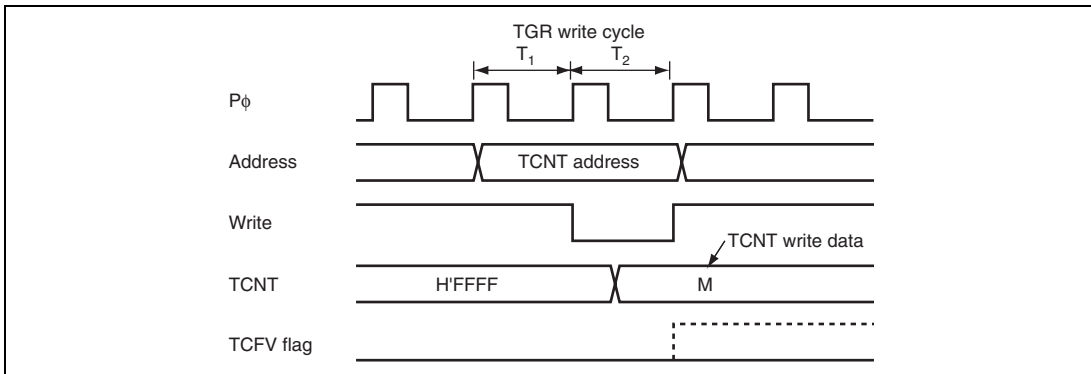


**Figure 10.53 Conflict between Overflow and Counter Clearing**

### 10.10.12 Conflict between TCNT Write and Overflow/Underflow

If an overflow/underflow occurs due to increment/decrement in the T2 state of a TCNT write cycle, the TCNT write takes precedence and the TCFV/TCFU flag in TSR is not set.

Figure 10.54 shows the operation timing when there is conflict between TCNT write and overflow.



**Figure 10.54 Conflict between TCNT Write and Overflow**

### 10.10.13 Multiplexing of I/O Pins

In this LSI, the TCLKA input pin is multiplexed with the TIOCC0 I/O pin, the TCLKB input pin with the TIOCD0 I/O pin, the TCLKC input pin with the TIOCB1 I/O pin, and the TCLKD input pin with the TIOCB2 I/O pin. When an external clock is input, compare match output should not be performed from a multiplexed pin.

### 10.10.14 Interrupts and Module Stop Mode

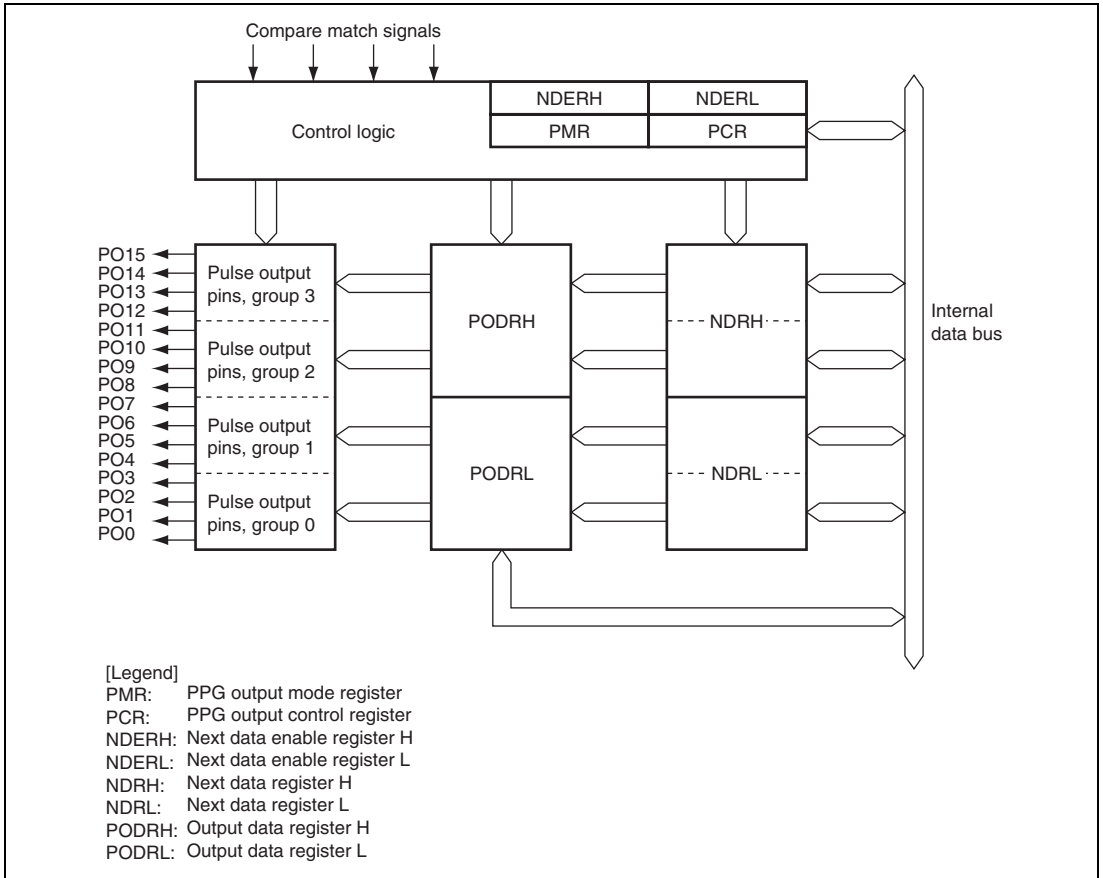
If module stop mode is entered when an interrupt has been requested, it will not be possible to clear the CPU interrupt source or the DMAC or DTC activation source. Interrupts should therefore be disabled before entering module stop mode.

## Section 11 Programmable Pulse Generator (PPG)

The programmable pulse generator (PPG) provides pulse outputs by using the 16-bit timer pulse unit (TPU) as a time base. The PPG pulse outputs are divided into 4-bit groups (groups 3 to 0) that can operate both simultaneously and independently. Figure 11.1 shows a block diagram of the PPG.

### 11.1 Features

- 16-bit output data
- Four output groups
- Selectable output trigger signals
- Non-overlapping mode
- Can operate together with the data transfer controller (DTC) and DMA controller (DMAC)
- Inverted output can be set
- Module stop mode can be set



**Figure 11.1 Block Diagram of PPG**

## 11.2 Input/Output Pins

Table 11.1 shows the PPG pin configuration.

**Table 11.1 Pin Configuration**

Pin Name	I/O	Function
PO15	Output	Group 3 pulse output
PO14	Output	
PO13	Output	
PO12	Output	
PO11	Output	Group 2 pulse output
PO10	Output	
PO9	Output	
PO8	Output	
PO7	Output	Group 1 pulse output
PO6	Output	
PO5	Output	
PO4	Output	
PO3	Output	Group 0 pulse output
PO2	Output	
PO1	Output	
PO0	Output	

## 11.3 Register Descriptions

The PPG has the following registers.

- Next data enable register H (NDERH)
- Next data enable register L (NDERL)
- Output data register H (PODRH)
- Output data register L (PODRL)
- Next data register H (NDRH)
- Next data register L (NDRL)
- PPG output control register (PCR)
- PPG output mode register (PMR)

### 11.3.1 Next Data Enable Registers H, L (NDERH, NDERL)

NDERH and NDERL enable/disable pulse output on a bit-by-bit basis.

- NDERH

Bit	7	6	5	4	3	2	1	0
Bit Name	NDER15	NDER14	NDER13	NDER12	NDER11	NDER10	NDER9	NDER8
Initial Value	0	0	0	0	0	0	0	0
R/W	R/W	R/W	R/W	R/W	R/W	R/W	R/W	R/W

- NDERL

Bit	7	6	5	4	3	2	1	0
Bit Name	NDER7	NDER6	NDER5	NDER4	NDER3	NDER2	NDER1	NDER0
Initial Value	0	0	0	0	0	0	0	0
R/W	R/W	R/W	R/W	R/W	R/W	R/W	R/W	R/W



- NDERH

Bit	Bit Name	Initial Value	R/W	Description
7	NDER15	0	R/W	Next Data Enable 15 to 8
6	NDER14	0	R/W	When a bit is set to 1, the value in the corresponding NDRH bit is transferred to the PODRH bit by the selected output trigger. Values are not transferred from NDRH to PODRH for cleared bits.
5	NDER13	0	R/W	
4	NDER12	0	R/W	
3	NDER11	0	R/W	
2	NDER10	0	R/W	
1	NDER9	0	R/W	
0	NDER8	0	R/W	

- NDERL

Bit	Bit Name	Initial Value	R/W	Description
7	NDER7	0	R/W	Next Data Enable 7 to 0
6	NDER6	0	R/W	When a bit is set to 1, the value in the corresponding NDRL bit is transferred to the PODRL bit by the selected output trigger. Values are not transferred from NDRL to PODRL for cleared bits.
5	NDER5	0	R/W	
4	NDER4	0	R/W	
3	NDER3	0	R/W	
2	NDER2	0	R/W	
1	NDER1	0	R/W	
0	NDER0	0	R/W	

### 11.3.2 Output Data Registers H, L (PODRH, PODRL)

PODRH and PODRL store output data for use in pulse output. A bit that has been set for pulse output by NDER is read-only and cannot be modified.

- PODRH

Bit	7	6	5	4	3	2	1	0
Bit Name	POD15	POD14	POD13	POD12	POD11	POD10	POD9	POD8
Initial Value	0	0	0	0	0	0	0	0
R/W	R/W	R/W	R/W	R/W	R/W	R/W	R/W	R/W

- PODRL

Bit	7	6	5	4	3	2	1	0
Bit Name	POD7	POD6	POD5	POD4	POD3	POD2	POD2	POD0
Initial Value	0	0	0	0	0	0	0	0
R/W	R/W	R/W	R/W	R/W	R/W	R/W	R/W	R/W

- PODRH

Bit	Bit Name	Initial Value	R/W	Description
7	POD15	0	R/W	Output Data Register 15 to 8
6	POD14	0	R/W	For bits which have been set to pulse output by NDERH, the output trigger transfers NDRH values to this register during PPG operation. While NDERH is set to 1, the CPU cannot write to this register. While NDERH is cleared, the initial output value of the pulse can be set.
5	POD13	0	R/W	
4	POD12	0	R/W	
3	POD11	0	R/W	
2	POD10	0	R/W	
1	POD9	0	R/W	
0	POD8	0	R/W	

- PODRL

Bit	Bit Name	Initial Value	R/W	Description
7	POD7	0	R/W	Output Data Register 7 to 0
6	POD6	0	R/W	For bits which have been set to pulse output by NDERL, the output trigger transfers NDRL values to this register during PPG operation. While NDERL is set to 1, the CPU cannot write to this register. While NDERL is cleared, the initial output value of the pulse can be set.
5	POD5	0	R/W	
4	POD4	0	R/W	
3	POD3	0	R/W	
2	POD2	0	R/W	
1	POD1	0	R/W	
0	POD0	0	R/W	

### 11.3.3 Next Data Registers H, L (NDRH, NDRL)

NDRH and NDRL store the next data for pulse output. The NDR addresses differ depending on whether pulse output groups have the same output trigger or different output triggers.

- NDRH

Bit	7	6	5	4	3	2	1	0
Bit Name	NDR15	NDR14	NDR13	NDR12	NDR11	NDR10	NDR9	NDR8
Initial Value	0	0	0	0	0	0	0	0
R/W	R/W	R/W	R/W	R/W	R/W	R/W	R/W	R/W

- NDRL

Bit	7	6	5	4	3	2	1	0
Bit Name	NDR7	NDR6	NDR5	NDR4	NDR3	NDR2	NDR1	NDR0
Initial Value	0	0	0	0	0	0	0	0
R/W	R/W	R/W	R/W	R/W	R/W	R/W	R/W	R/W

- NDRH

If pulse output groups 2 and 3 have the same output trigger, all eight bits are mapped to the same address and can be accessed at one time, as shown below.

Bit	Bit Name	Initial Value	R/W	Description
7	NDR15	0	R/W	Next Data Register 15 to 8
6	NDR14	0	R/W	The register contents are transferred to the corresponding PODRH bits by the output trigger specified with PCR.
5	NDR13	0	R/W	
4	NDR12	0	R/W	
3	NDR11	0	R/W	
2	NDR10	0	R/W	
1	NDR9	0	R/W	
0	NDR8	0	R/W	

If pulse output groups 2 and 3 have different output triggers, the upper four bits and lower four bits are mapped to different addresses as shown below.

Bit	Bit Name	Initial Value	R/W	Description
7	NDR15	0	R/W	Next Data Register 15 to 12
6	NDR14	0	R/W	The register contents are transferred to the corresponding PODRH bits by the output trigger specified with PCR.
5	NDR13	0	R/W	
4	NDR12	0	R/W	
3 to 0	—	All 1	—	

Bit	Bit Name	Initial Value	R/W	Description
7 to 4	—	All 1	—	Reserved These bits are always read as 1 and cannot be modified.
3	NDR11	0	R/W	Next Data Register 11 to 8
2	NDR10	0	R/W	The register contents are transferred to the corresponding PODRH bits by the output trigger specified with PCR.
1	NDR9	0	R/W	
0	NDR8	0	R/W	

- NDRL

If pulse output groups 0 and 1 have the same output trigger, all eight bits are mapped to the same address and can be accessed at one time, as shown below.

Bit	Bit Name	Initial Value	R/W	Description
7	NDR7	0	R/W	Next Data Register 7 to 0
6	NDR6	0	R/W	The register contents are transferred to the corresponding PODRL bits by the output trigger specified with PCR.
5	NDR5	0	R/W	
4	NDR4	0	R/W	
3	NDR3	0	R/W	
2	NDR2	0	R/W	
1	NDR1	0	R/W	
0	NDR0	0	R/W	

If pulse output groups 0 and 1 have different output triggers, the upper four bits and lower four bits are mapped to different addresses as shown below.

Bit	Bit Name	Initial Value	R/W	Description
7	NDR7	0	R/W	Next Data Register 7 to 4
6	NDR6	0	R/W	The register contents are transferred to the corresponding PODRL bits by the output trigger specified with PCR.
5	NDR5	0	R/W	
4	NDR4	0	R/W	
3 to 0	—	All 1	—	

Bit	Bit Name	Initial Value	R/W	Description
7 to 4	—	All 1	—	Reserved These bits are always read as 1 and cannot be modified.
3	NDR3	0	R/W	Next Data Register 3 to 0
2	NDR2	0	R/W	The register contents are transferred to the corresponding PODRL bits by the output trigger specified with PCR.
1	NDR1	0	R/W	
0	NDR0	0	R/W	

### 11.3.4 PPG Output Control Register (PCR)

PCR selects output trigger signals on a group-by-group basis. For details on output trigger selection, refer to section 11.3.5, PPG Output Mode Register (PMR).

Bit	7	6	5	4	3	2	1	0
Bit Name	G3CMS1	G3CMS0	G2CMS1	G2CMS0	G1CMS1	G1CMS0	G0CMS1	G0CMS0
Initial Value	1	1	1	1	1	1	1	1
R/W	R/W	R/W	R/W	R/W	R/W	R/W	R/W	R/W

Bit	Bit Name	Initial Value	R/W	Description
7	G3CMS1	1	R/W	Group 3 Compare Match Select 1 and 0
6	G3CMS0	1	R/W	These bits select output trigger of pulse output group 3. 00: Compare match in TPU channel 0 01: Compare match in TPU channel 1 10: Compare match in TPU channel 2 11: Compare match in TPU channel 3
5	G2CMS1	1	R/W	Group 2 Compare Match Select 1 and 0
4	G2CMS0	1	R/W	These bits select output trigger of pulse output group 2. 00: Compare match in TPU channel 0 01: Compare match in TPU channel 1 10: Compare match in TPU channel 2 11: Compare match in TPU channel 3
3	G1CMS1	1	R/W	Group 1 Compare Match Select 1 and 0
2	G1CMS0	1	R/W	These bits select output trigger of pulse output group 1. 00: Compare match in TPU channel 0 01: Compare match in TPU channel 1 10: Compare match in TPU channel 2 11: Compare match in TPU channel 3
1	G0CMS1	1	R/W	Group 0 Compare Match Select 1 and 0
0	G0CMS0	1	R/W	These bits select output trigger of pulse output group 0. 00: Compare match in TPU channel 0 01: Compare match in TPU channel 1 10: Compare match in TPU channel 2 11: Compare match in TPU channel 3

### 11.3.5 PPG Output Mode Register (PMR)

PMR selects the pulse output mode of the PPG for each group. If inverted output is selected, a low-level pulse is output when PODRH is 1 and a high-level pulse is output when PODRH is 0. If non-overlapping operation is selected, PPG updates its output values at compare match A or B of the TPU that becomes the output trigger. For details, refer to section 11.4.4, Non-Overlapping Pulse Output.

Bit	7	6	5	4	3	2	1	0
Bit Name	G3INV	G2INV	G1INV	G0INV	G3NOV	G2NOV	G1NOV	G0NOV
Initial Value	1	1	1	1	0	0	0	0
R/W	R/W	R/W	R/W	R/W	R/W	R/W	R/W	R/W

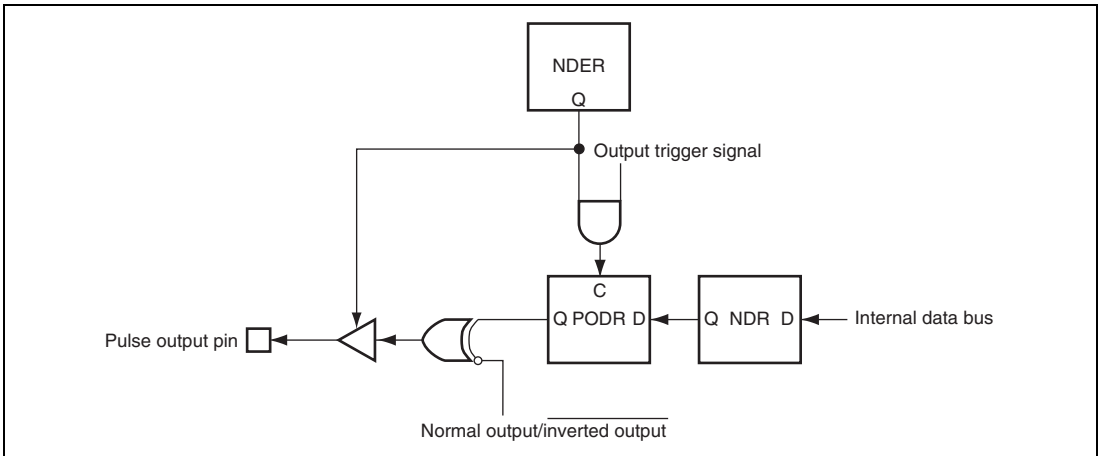
Bit	Bit Name	Initial Value	R/W	Description
7	G3INV	1	R/W	Group 3 Inversion Selects direct output or inverted output for pulse output group 3. 0: Inverted output 1: Direct output
6	G2INV	1	R/W	Group 2 Inversion Selects direct output or inverted output for pulse output group 2. 0: Inverted output 1: Direct output
5	G1INV	1	R/W	Group 1 Inversion Selects direct output or inverted output for pulse output group 1. 0: Inverted output 1: Direct output
4	G0INV	1	R/W	Group 0 Inversion Selects direct output or inverted output for pulse output group 0. 0: Inverted output 1: Direct output

Bit	Bit Name	Initial Value	R/W	Description
3	G3NOV	0	R/W	<p>Group 3 Non-Overlap</p> <p>Selects normal or non-overlapping operation for pulse output group 3.</p> <p>0: Normal operation (output values updated at compare match A in the selected TPU channel)</p> <p>1: Non-overlapping operation (output values updated at compare match A or B in the selected TPU channel)</p>
2	G2NOV	0	R/W	<p>Group 2 Non-Overlap</p> <p>Selects normal or non-overlapping operation for pulse output group 2.</p> <p>0: Normal operation (output values updated at compare match A in the selected TPU channel)</p> <p>1: Non-overlapping operation (output values updated at compare match A or B in the selected TPU channel)</p>
1	G1NOV	0	R/W	<p>Group 1 Non-Overlap</p> <p>Selects normal or non-overlapping operation for pulse output group 1.</p> <p>0: Normal operation (output values updated at compare match A in the selected TPU channel)</p> <p>1: Non-overlapping operation (output values updated at compare match A or B in the selected TPU channel)</p>
0	G0NOV	0	R/W	<p>Group 0 Non-Overlap</p> <p>Selects normal or non-overlapping operation for pulse output group 0.</p> <p>0: Normal operation (output values updated at compare match A in the selected TPU channel)</p> <p>1: Non-overlapping operation (output values updated at compare match A or B in the selected TPU channel)</p>



## 11.4 Operation

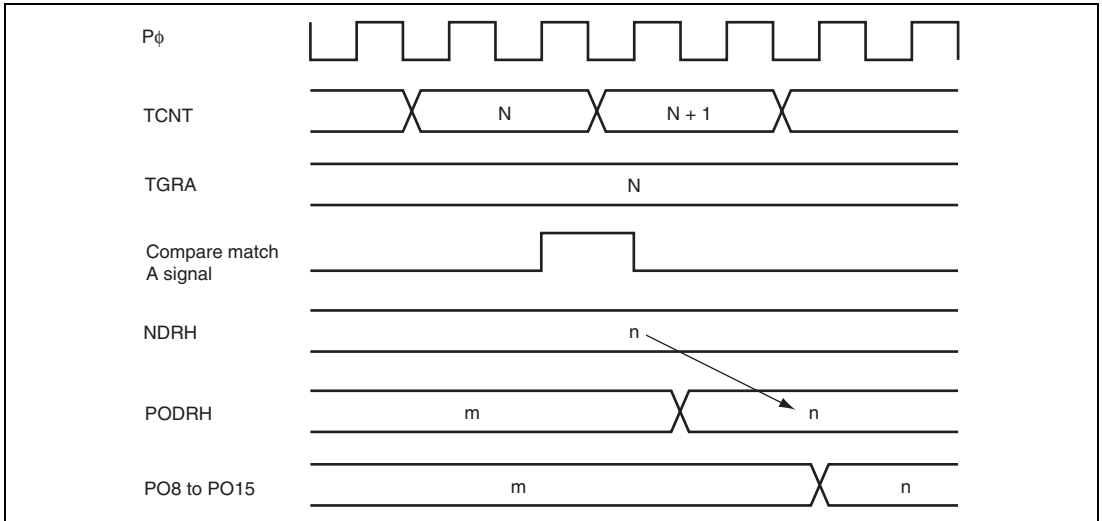
Figure 11.2 shows a schematic diagram of the PPG. PPG pulse output is enabled when the corresponding bits in NDER are set to 1. An initial output value is determined by its corresponding PODR initial setting. When the compare match event specified by PCR occurs, the corresponding NDR bit contents are transferred to PODR to update the output values. Sequential output of data of up to 16 bits is possible by writing new output data to NDR before the next compare match.



**Figure 11.2 Schematic Diagram of PPG**

### 11.4.1 Output Timing

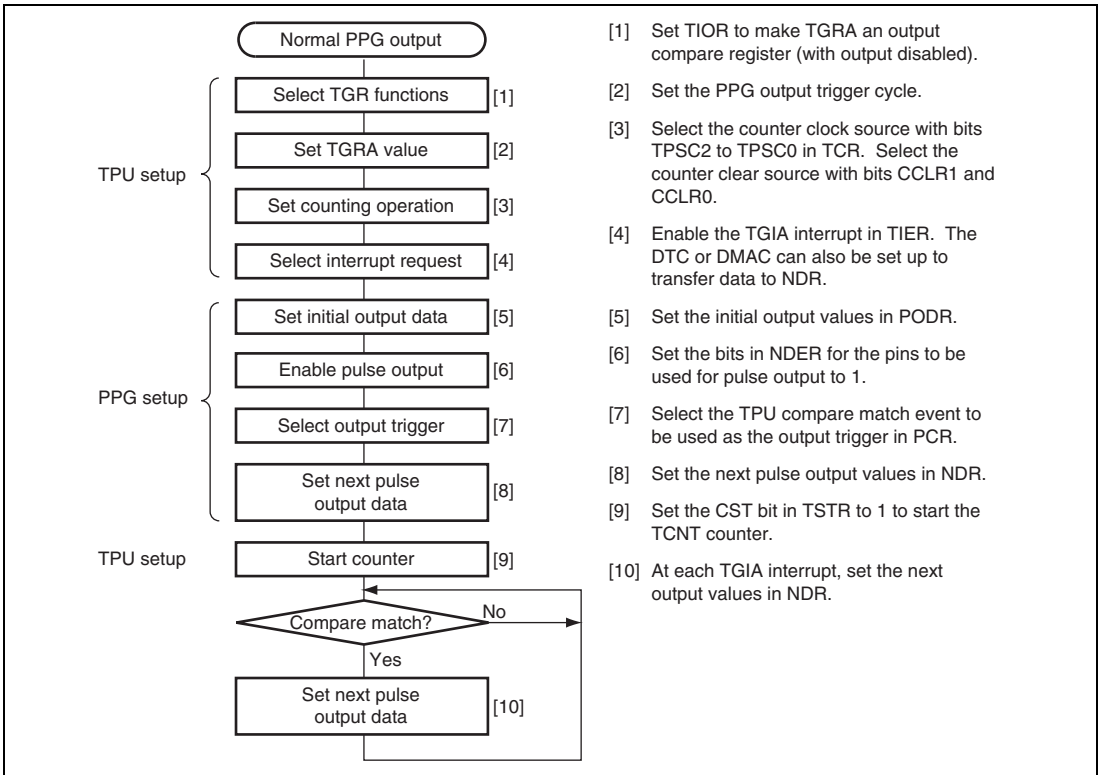
If pulse output is enabled, the NDR contents are transferred to PODR and output when the specified compare match event occurs. Figure 11.3 shows the timing of these operations for the case of normal output in groups 2 and 3, triggered by compare match A.



**Figure 11.3 Timing of Transfer and Output of NDR Contents (Example)**

## 11.4.2 Sample Setup Procedure for Normal Pulse Output

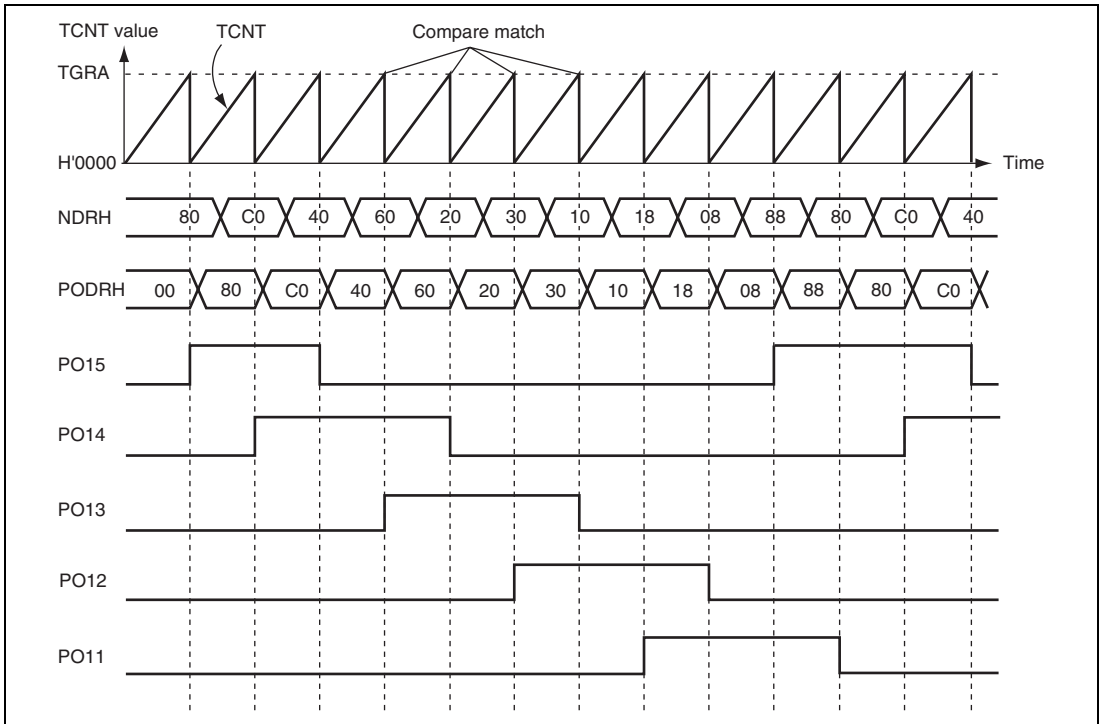
Figure 11.4 shows a sample procedure for setting up normal pulse output.



**Figure 11.4 Setup Procedure for Normal Pulse Output (Example)**

### 11.4.3 Example of Normal Pulse Output (Example of 5-Phase Pulse Output)

Figure 11.5 shows an example in which pulse output is used for cyclic 5-phase pulse output.



**Figure 11.5 Normal Pulse Output Example (5-Phase Pulse Output)**

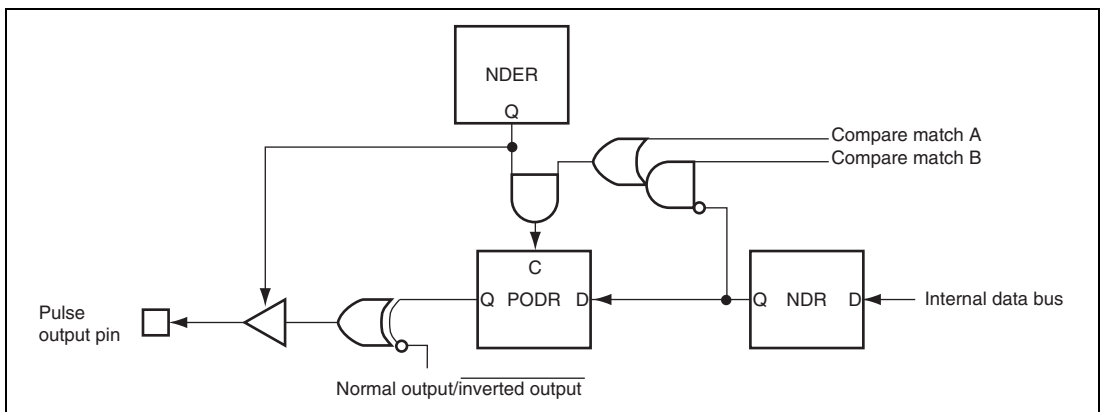
1. Set up TGRA in TPU which is used as the output trigger to be an output compare register. Set a cycle in TGRA so the counter will be cleared by compare match A. Set the TGIEA bit in TIER to 1 to enable the compare match/input capture A (TGIA) interrupt.
2. Write H'F8 to NDERH, and set bits G3CMS1, G3CMS0, G2CMS1, and G2CMS0 in PCR to select compare match in the TPU channel set up in the previous step to be the output trigger. Write output data H'80 in NDRH.
3. The timer counter in the TPU channel starts. When compare match A occurs, the NDRH contents are transferred to PODRH and output. The TGIA interrupt handling routine writes the next output data (H'C0) in NDRH.
4. 5-phase pulse output (one or two phases active at a time) can be obtained subsequently by writing H'40, H'60, H'20, H'30, H'10, H'18, H'08, H'88... at successive TGIA interrupts.
5. If the DTC or DMAC is set for activation by the TGIA interrupt, pulse output can be obtained without imposing a load on the CPU.

#### 11.4.4 Non-Overlapping Pulse Output

During non-overlapping operation, transfer from NDR to PODR is performed as follows:

- At compare match A, the NDR bits are always transferred to PODR.
- At compare match B, the NDR bits are transferred only if their value is 0. The NDR bits are not transferred if their value is 1.

Figure 11.6 illustrates the non-overlapping pulse output operation.



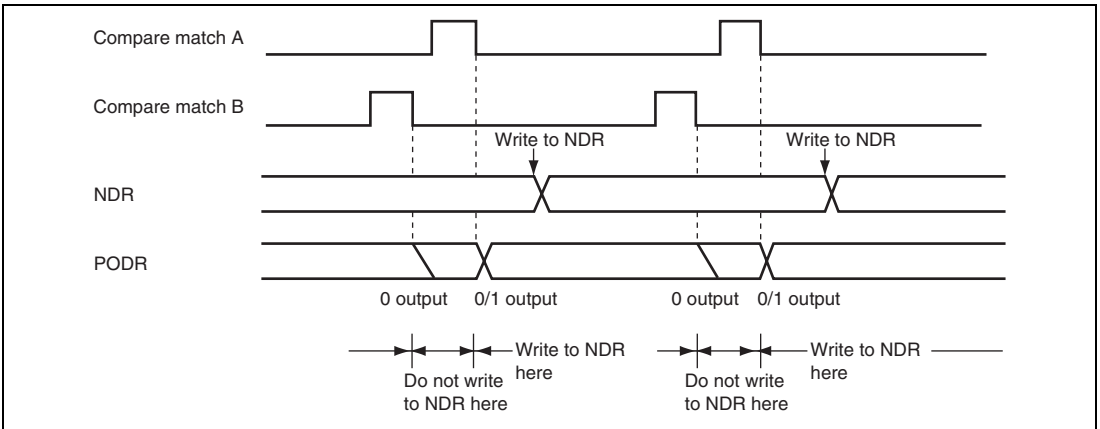
**Figure 11.6 Non-Overlapping Pulse Output**

Therefore, 0 data can be transferred ahead of 1 data by making compare match B occur before compare match A.

The NDR contents should not be altered during the interval from compare match B to compare match A (the non-overlapping margin).

This can be accomplished by having the TGIA interrupt handling routine write the next data in NDR, or by having the TGIA interrupt activate the DTC or DMAC. Note, however, that the next data must be written before the next compare match B occurs.

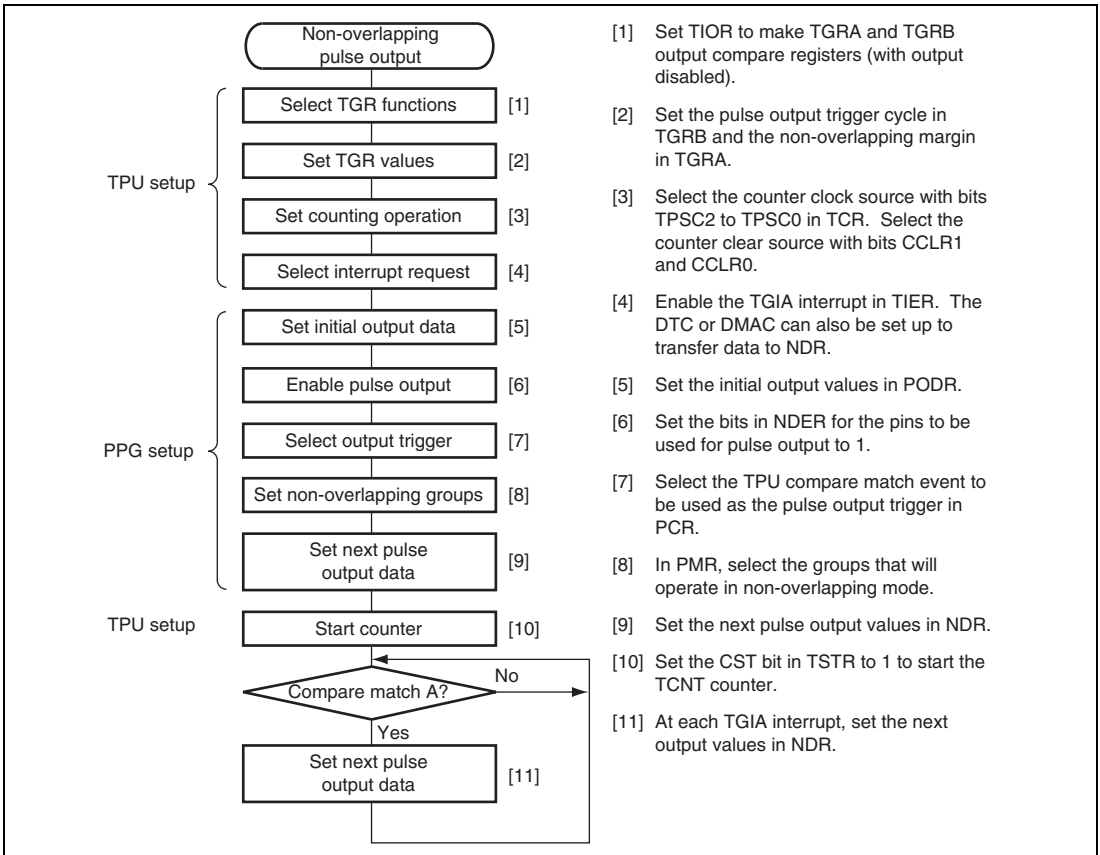
Figure 11.7 shows the timing of this operation.



**Figure 11.7 Non-Overlapping Operation and NDR Write Timing**

### 11.4.5 Sample Setup Procedure for Non-Overlapping Pulse Output

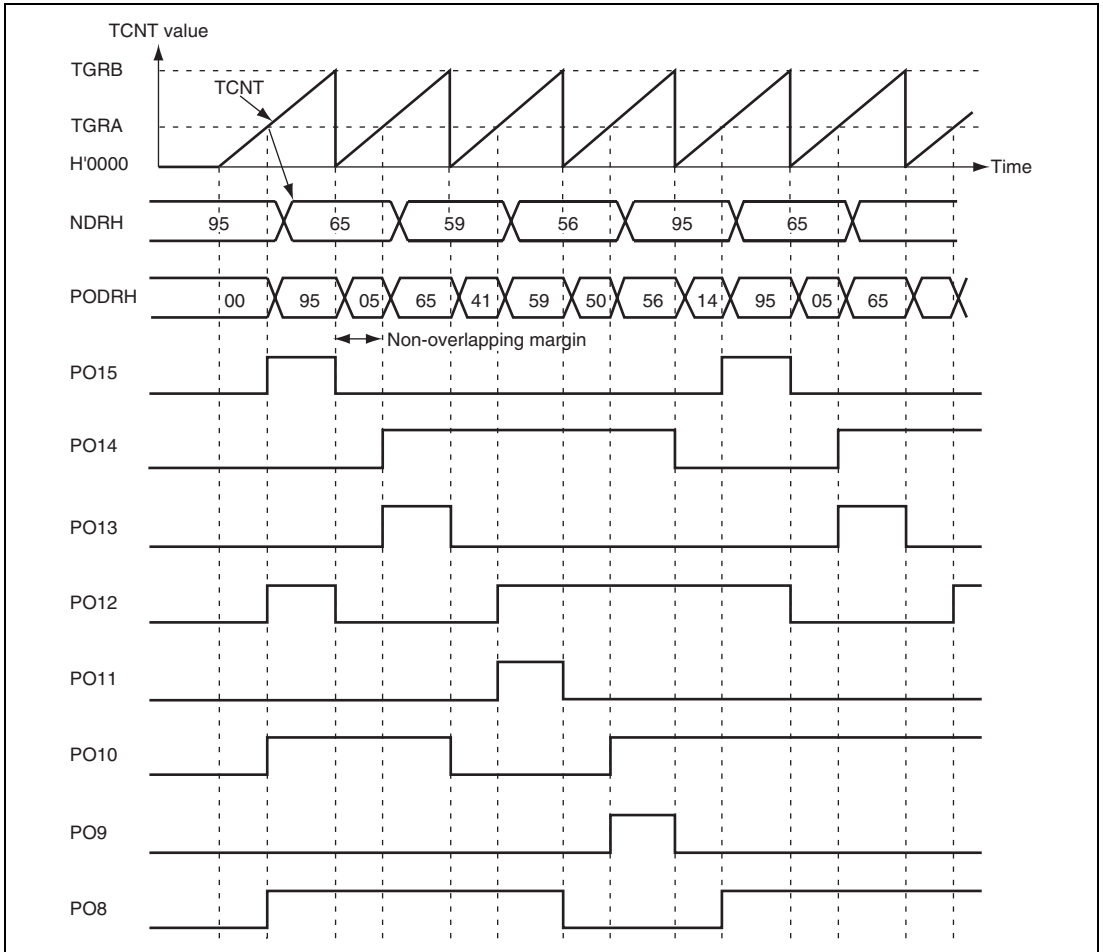
Figure 11.8 shows a sample procedure for setting up non-overlapping pulse output.



**Figure 11.8 Setup Procedure for Non-Overlapping Pulse Output (Example)**

### 11.4.6 Example of Non-Overlapping Pulse Output (Example of 4-Phase Complementary Non-Overlapping Pulse Output)

Figure 11.9 shows an example in which pulse output is used for 4-phase complementary non-overlapping pulse output.



**Figure 11.9 Non-Overlapping Pulse Output Example (4-Phase Complementary)**

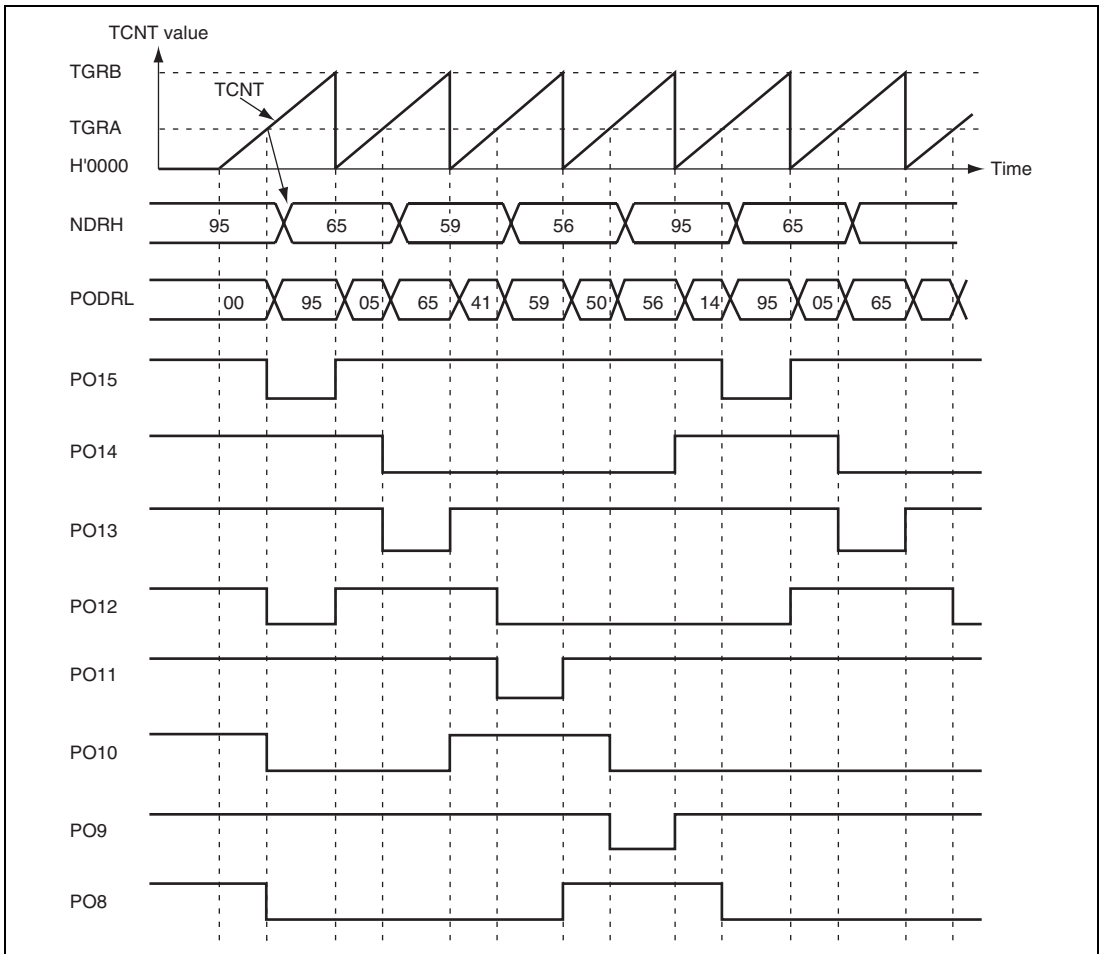


1. Set up the TPU channel to be used as the output trigger channel so that TGRA and TGRB are output compare registers. Set the cycle in TGRB and the non-overlapping margin in TGRA, and set the counter to be cleared by compare match B. Set the TGIEA bit in TIER to 1 to enable the TGIA interrupt.
2. Write H'FF to NDERH, and set bits G3CMS1, G3CMS0, G2CMS1, and G2CMS0 in PCR to select compare match in the TPU channel set up in the previous step to be the output trigger. Set bits G3NOV and G2NOV in PMR to 1 to select non-overlapping pulse output. Write output data H'95 to NDRH.
3. The timer counter in the TPU channel starts. When a compare match with TGRB occurs, outputs change from 1 to 0. When a compare match with TGRA occurs, outputs change from 0 to 1 (the change from 0 to 1 is delayed by the value set in TGRA). The TGIA interrupt handling routine writes the next output data (H'65) to NDRH.
4. 4-phase complementary non-overlapping pulse output can be obtained subsequently by writing H'59, H'56, H'95... at successive TGIA interrupts. If the DTC or DMAC is set for activation by a TGIA interrupt, pulse can be output without imposing a load on the CPU.

### 11.4.7 Inverted Pulse Output

If the G3INV, G2INV, G1INV, and G0INV bits in PMR are cleared to 0, values that are the inverse of the PODR contents can be output.

Figure 11.10 shows the outputs when the G3INV and G2INV bits are cleared to 0, in addition to the settings of figure 11.9.

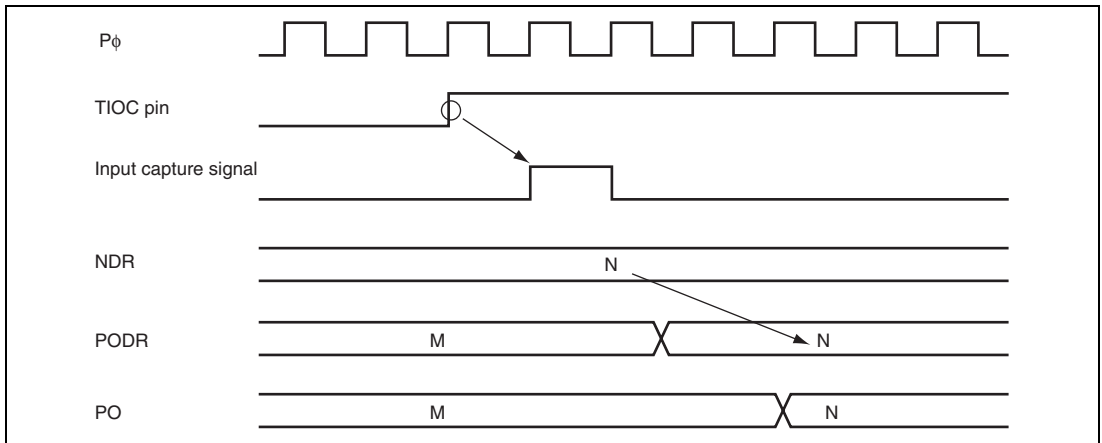


**Figure 11.10 Inverted Pulse Output (Example)**

### 11.4.8 Pulse Output Triggered by Input Capture

Pulse output can be triggered by TPU input capture as well as by compare match. If TGRA functions as an input capture register in the TPU channel selected by PCR, pulse output will be triggered by the input capture signal.

Figure 11.11 shows the timing of this output.



**Figure 11.11 Pulse Output Triggered by Input Capture (Example)**

## 11.5 Usage Notes

### 11.5.1 Module Stop Mode Setting

PPG operation can be disabled or enabled using the module stop control register. The initial value is for PPG operation to be halted. Register access is enabled by clearing module stop mode. For details, refer to section 19, Power-Down Modes.

### 11.5.2 Operation of Pulse Output Pins

Pins PO0 to PO15 are also used for other peripheral functions such as the TPU. When output by another peripheral function is enabled, the corresponding pins cannot be used for pulse output. Note, however, that data transfer from NDR bits to PODR bits takes place, regardless of the usage of the pins.

Pin functions should be changed only under conditions in which the output trigger event will not occur.

## Section 12 8-Bit Timers (TMR)

This LSI has two units (unit 0 and unit 1) of an on-chip 8-bit timer module that comprise two 8-bit counter channels, totaling four channels. The 8-bit timer module can be used to count external events and also be used as a multifunction timer in a variety of applications, such as generation of counter reset, interrupt requests, and pulse output with a desired duty cycle using a compare-match signal with two registers.

Figures 12.1 and 12.2 show block diagrams of the 8-bit timer module (unit 0 and unit 1).

This section describes unit 0 (channels 0 and 1), which has the same functions as the other unit.

### 12.1 Features

- Selection of seven clock sources

The counters can be driven by one of six internal clock signals ( $P\phi/2$ ,  $P\phi/18$ ,  $P\phi/32$ ,  $P\phi/164$ ,  $P\phi/1024$ , or  $P\phi/8192$ ) or an external clock input.

- Selection of three ways to clear the counters

The counters can be cleared on compare match A or B, or by an external reset signal.

- Timer output control by a combination of two compare match signals

The timer output signal in each channel is controlled by a combination of two independent compare match signals, enabling the timer to output pulses with a desired duty cycle or PWM output.

- Cascading of two channels (TMR\_0 and TMR\_1)

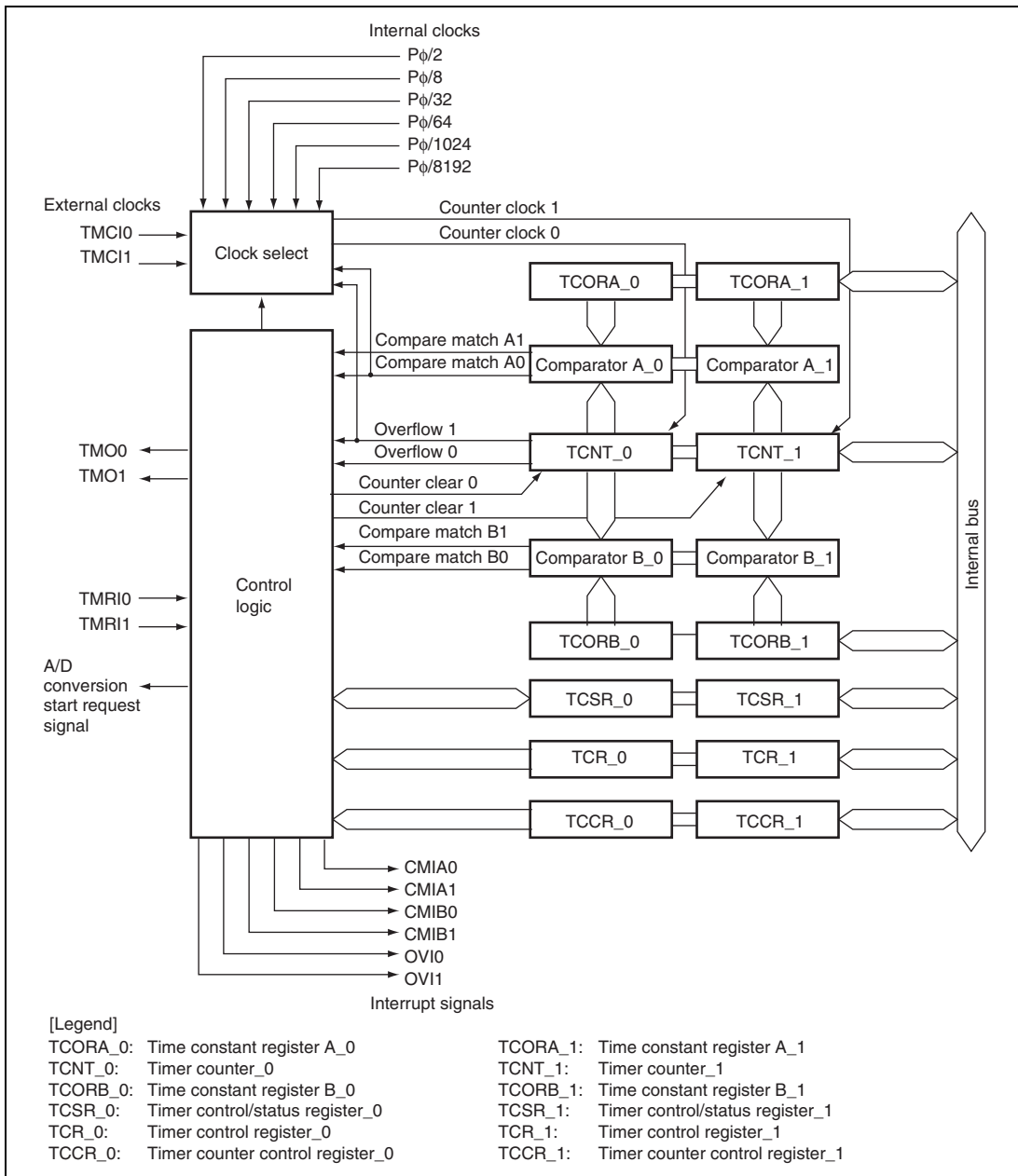
Operation as a 16-bit timer is possible, using TMR\_0 for the upper 8 bits and TMR\_1 for the lower 8 bits (16-bit count mode).

TMR\_1 can be used to count TMR\_0 compare matches (compare match count mode).

- Three interrupt sources

Compare match A, compare match B, and overflow interrupts can be requested independently.

- Generation of trigger to start A/D converter conversion



**Figure 12.1 Block Diagram of 8-Bit Timer Module (Unit 0)**

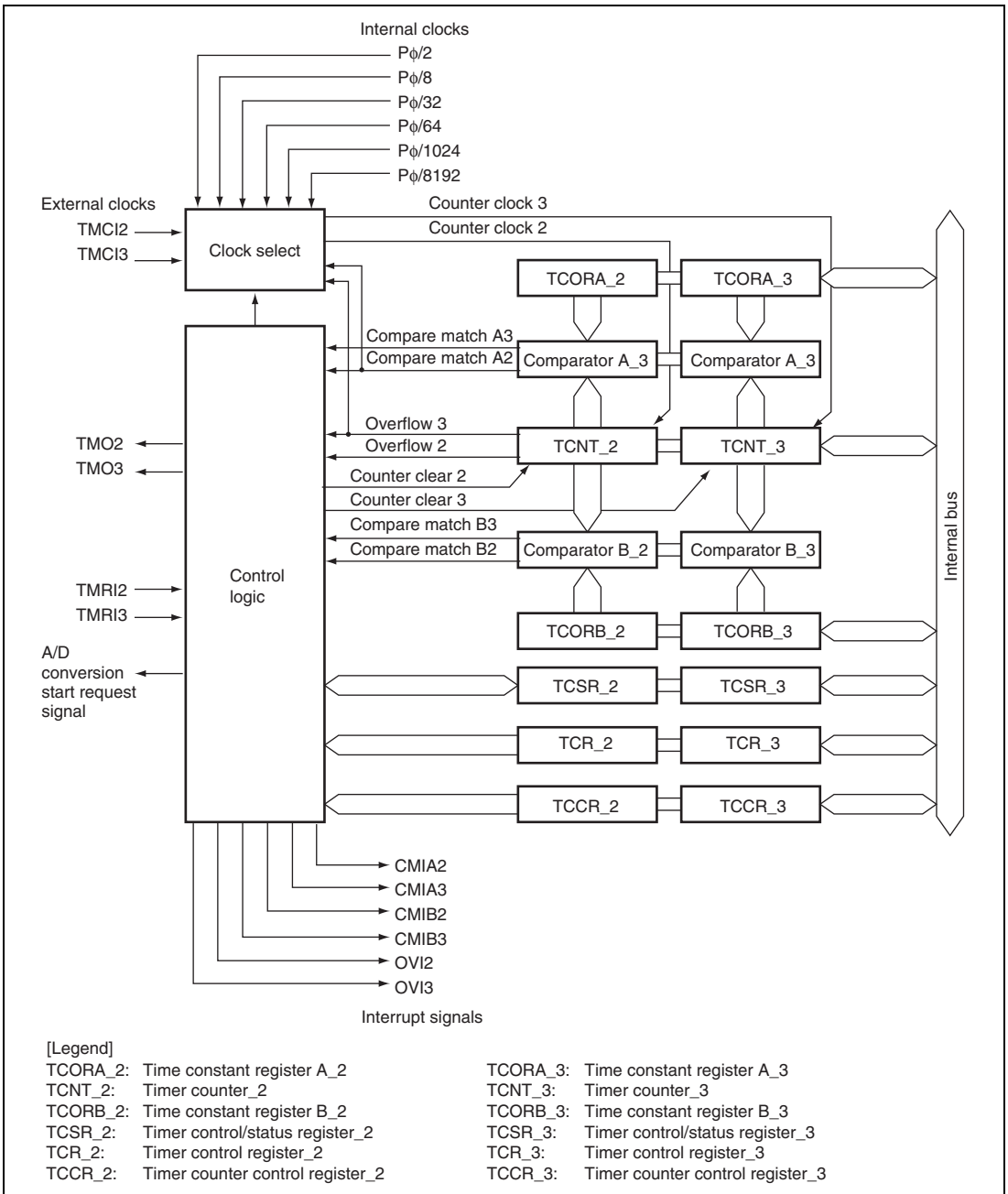


Figure 12.2 Block Diagram of 8-Bit Timer Module (Unit 1)

## 12.2 Input/Output Pins

Table 12.1 shows the pin configuration of the TMR.

**Table 12.1 Pin Configuration**

Unit	Channel	Name	Symbol	I/O	Function
0	0	Timer output pin	TMO0	Output	Outputs compare match
		Timer clock input pin	TMC10	Input	Inputs external clock for counter
		Timer reset input pin	TMRI0	Input	Inputs external reset to counter
	1	Timer output pin	TMO1	Output	Outputs compare match
		Timer clock input pin	TMC11	Input	Inputs external clock for counter
		Timer reset input pin	TMRI1	Input	Inputs external reset to counter
1	2	Timer output pin	TMO2	Output	Outputs compare match
		Timer clock input pin	TMC12	Input	Inputs external clock for counter
		Timer reset input pin	TMRI2	Input	Inputs external reset to counter
	3	Timer output pin	TMO3	Output	Outputs compare match
		Timer clock input pin	TMC13	Input	Inputs external clock for counter
		Timer reset input pin	TMRI3	Input	Inputs external reset to counter



## 12.3 Register Descriptions

The TMR has the following registers.

### Unit 0:

- Channel 0
  - Timer counter\_0 (TCNT\_0)
  - Time constant register A\_0 (TCORA\_0)
  - Time constant register B\_0 (TCORB\_0)
  - Timer control register\_0 (TCR\_0)
  - Timer counter control register\_0 (TCCR\_0)
  - Timer control/status register\_0 (TCSR\_0)
- Channel 1
  - Timer counter\_1 (TCNT\_1)
  - Time constant register A\_1 (TCORA\_1)
  - Time constant register B\_1 (TCORB\_1)
  - Timer control register\_1 (TCR\_1)
  - Timer counter control register\_1 (TCCR\_1)
  - Timer control/status register\_1 (TCSR\_1)

### Unit 1:

- Channel 2
  - Timer counter\_2 (TCNT\_2)
  - Time constant register A\_2 (TCORA\_2)
  - Time constant register B\_2 (TCORB\_2)
  - Timer control register\_2 (TCR\_2)
  - Timer counter control register\_2 (TCCR\_2)
  - Timer control/status register\_2 (TCSR\_2)
- Channel 3
  - Timer counter\_3 (TCNT\_3)
  - Time constant register A\_3 (TCORA\_3)
  - Time constant register B\_3 (TCORB\_3)
  - Timer control register\_3 (TCR\_3)
  - Timer counter control register\_3 (TCCR\_3)
  - Timer control/status register\_3 (TCSR\_3)

### 12.3.1 Timer Counter (TCNT)

TCNT is an 8-bit readable/writable up-counter. TCNT\_0 and TCNT\_1 comprise a single 16-bit register so they can be accessed together by a word transfer instruction. Bits CKS2 to CKS0 in TCR and bits ICKS1 and ICKS0 in TCCR are used to select a clock. TCNT can be cleared by an external reset input signal, compare match A signal, or compare match B signal. Which signal is to be used for clearing is selected by bits CCLR1 and CCLR0 in TCR. When TCNT overflows from H'FF to H'00, bit OVF in TCSR is set to 1. TCNT is initialized to H'00.

	TCNT_0								TCNT_1							
Bit	7	6	5	4	3	2	1	0	7	6	5	4	3	2	1	0
Bit Name																
Initial Value	0	0	0	0	0	0	0	0	0	0	0	0	0	0	0	0
R/W	R/W	R/W	R/W	R/W	R/W	R/W	R/W	R/W	R/W	R/W	R/W	R/W	R/W	R/W	R/W	R/W

### 12.3.2 Time Constant Register A (TCORA)

TCORA is an 8-bit readable/writable register. TCORA\_0 and TCORA\_1 comprise a single 16-bit register so they can be accessed together by a word transfer instruction. The value in TCORA is continually compared with the value in TCNT. When a match is detected, the corresponding CMFA flag in TCSR is set to 1. Note however that comparison is disabled during the T2 state of a TCORA write cycle. The timer output from the TMO pin can be freely controlled by this compare match signal (compare match A) and the settings of bits OS1 and OS0 in TCSR. TCORA is initialized to H'FF.

	TCORA_0								TCORA_1							
Bit	7	6	5	4	3	2	1	0	7	6	5	4	3	2	1	0
Bit Name																
Initial Value	1	1	1	1	1	1	1	1	1	1	1	1	1	1	1	1
R/W	R/W	R/W	R/W	R/W	R/W	R/W	R/W	R/W	R/W	R/W	R/W	R/W	R/W	R/W	R/W	R/W

### 12.3.3 Time Constant Register B (TCORB)

TCORB is an 8-bit readable/writable register. TCORB\_0 and TCORB\_1 comprise a single 16-bit register so they can be accessed together by a word transfer instruction. TCORB is continually compared with the value in TCNT. When a match is detected, the corresponding CMFB flag in TCSR is set to 1. Note however that comparison is disabled during the T2 state of a TCORB write cycle. The timer output from the TMO pin can be freely controlled by this compare match signal (compare match B) and the settings of bits OS3 and OS2 in TCSR. TCORB is initialized to H'FF.

Bit	TCORB_0								TCORB_1							
	7	6	5	4	3	2	1	0	7	6	5	4	3	2	1	0
Bit Name																
Initial Value	1	1	1	1	1	1	1	1	1	1	1	1	1	1	1	1
R/W	R/W	R/W	R/W	R/W	R/W	R/W	R/W	R/W	R/W	R/W	R/W	R/W	R/W	R/W	R/W	R/W

### 12.3.4 Timer Control Register (TCR)

TCR selects the TCNT clock source and the condition for clearing TCNT, and enables/disables interrupt requests.

Bit	7	6	5	4	3	2	1	0
Bit Name	CMIEB	CMIEA	OVIE	CCLR1	CCLR0	CKS2	CKS1	CKS0
Initial Value	0	0	0	0	0	0	0	0
R/W	R/W	R/W	R/W	R/W	R/W	R/W	R/W	R/W

Bit	Bit Name	Initial Value	R/W	Description
7	CMIEB	0	R/W	Compare Match Interrupt Enable B Selects whether CMFB interrupt requests (CMIB) are enabled or disabled when the CMFB flag in TCSR is set to 1. 0: CMFB interrupt requests (CMIB) are disabled 1: CMFB interrupt requests (CMIB) are enabled

Bit	Bit Name	Initial Value	R/W	Description
6	CMIEA	0	R/W	Compare Match Interrupt Enable A Selects whether CMFA interrupt requests (CMIA) are enabled or disabled when the CMFA flag in TCSR is set to 1. 0: CMFA interrupt requests (CMIA) are disabled 1: CMFA interrupt requests (CMIA) are enabled
5	OVIE	0	R/W	Timer Overflow Interrupt Enable Selects whether OVF interrupt requests (OVI) are enabled or disabled when the OVF flag in TCSR is set to 1. 0: OVF interrupt requests (OVI) are disabled 1: OVF interrupt requests (OVI) are enabled
4	CCLR1	0	R/W	Counter Clear 1 and 0*
3	CCLR0	0	R/W	These bits select the method by which TCNT is cleared. 00: Clearing is disabled 01: Cleared by compare match A 10: Cleared by compare match B 11: Cleared at rising edge (TMRIS in TCCR is cleared to 0) of the external reset input or when the external reset input is high (TMRIS in TCCR is set to 1)
2	CKS2	0	R/W	Clock Select 2 to 0*
1	CKS1	0	R/W	These bits select the clock input to TCNT and count condition. See table 12.2.
0	CKS0	0	R/W	

Note: \* To use an external reset or external clock, the DDR and ICR bits in the corresponding pin should be set to 0 and 1, respectively. For details, see section 9, I/O Ports.

### 12.3.5 Timer Counter Control Register (TCCR)

TCCR selects the TCNT internal clock source and controls external reset input.

Bit	7	6	5	4	3	2	1	0
Bit Name	—	—	—	—	TMRIS	—	ICKS1	ICKS0
Initial Value	0	0	0	0	0	0	0	0
R/W	R/W	R/W	R/W	R/W	R/W	R/W	R/W	R/W

Bit	Bit Name	Initial Value	R/W	Description
7 to 4	—	0	R/W	Reserved These bits are always read as 0. The write value should always be 0.
3	TMRIS	0	R/W	Timer Reset Input Select Selects an external reset input when the CCLR1 and CCLR0 bits in TCR are B'11. 0: Cleared at rising edge of the external reset 1: Cleared when the external reset is high
2	—	0	R/W	Reserved This bit is always read as 0. The write value should always be 0
1	ICKS1	0	R/W	Internal Clock Select 1 and 0
0	ICKS0	0	R/W	These bits in combination with bits CKS2 to CKS0 in TCR select the internal clock. See table 12.2.

**Table 12.2 Clock Input to TCNT and Count Condition**

Channel	TCR			TCCR		Description
	Bit 2 CKS2	Bit 1 CKS1	Bit 0 CKS0	Bit 1 ICKS1	Bit 0 ICKS0	
TMR_0	0	0	0	—	—	Clock input prohibited.
	0	0	1	0	0	Uses internal clock. Counts at rising edge of $P\phi/8$ .
				0	1	Uses internal clock. Counts at rising edge of $P\phi/2$ .
				1	0	Uses internal clock. Counts at falling edge of $P\phi/8$ .
				1	1	Uses internal clock. Counts at falling edge of $P\phi/2$ .
	0	1	0	0	0	Uses internal clock. Counts at rising edge of $P\phi/64$ .
				0	1	Uses internal clock. Counts at rising edge of $P\phi/32$ .
				1	0	Uses internal clock. Counts at falling edge of $P\phi/64$ .
				1	1	Uses internal clock. Counts at falling edge of $P\phi/32$ .
	0	1	1	0	0	Uses internal clock. Counts at rising edge of $P\phi/8192$ .
				0	1	Uses internal clock. Counts at rising edge of $P\phi/1024$ .
				1	0	Uses internal clock. Counts at falling edge of $P\phi/8192$ .
				1	1	Uses internal clock. Counts at falling edge of $P\phi/1024$ .
1	0	0	—	—	Counts at TCNT_1 overflow signal <sup>*1</sup> .	
TMR_1	0	0	0	—	—	Clock input prohibited.
	0	0	1	0	0	Uses internal clock. Counts at rising edge of $P\phi/8$ .
				0	1	Uses internal clock. Counts at rising edge of $P\phi/2$ .
				1	0	Uses internal clock. Counts at falling edge of $P\phi/8$ .
				1	1	Uses internal clock. Counts at falling edge of $P\phi/2$ .
	0	1	0	0	0	Uses internal clock. Counts at rising edge of $P\phi/64$ .
				0	1	Uses internal clock. Counts at rising edge of $P\phi/32$ .
				1	0	Uses internal clock. Counts at falling edge of $P\phi/64$ .
				1	1	Uses internal clock. Counts at falling edge of $P\phi/32$ .
	0	1	1	0	0	Uses internal clock. Counts at rising edge of $P\phi/8192$ .
				0	1	Uses internal clock. Counts at rising edge of $P\phi/1024$ .
				1	0	Uses internal clock. Counts at falling edge of $P\phi/8192$ .
				1	1	Uses internal clock. Counts at falling edge of $P\phi/1024$ .
1	0	0	—	—	Counts at TCNT_0 compare match A <sup>*1</sup> .	

Channel	TCR		TCCR		Description	
	Bit 2 CKS2	Bit 1 CKS1	Bit 0 CKS0	Bit 1 ICKS1		Bit 0 ICKS0
All	1	0	1	—	—	Uses external clock. Counts at rising edge* <sup>2</sup> .
	1	1	0	—	—	Uses external clock. Counts at falling edge* <sup>2</sup> .
	1	1	1	—	—	Uses external clock. Counts at both rising and falling edges* <sup>2</sup> .

- Notes:
1. If the clock input of TMR\_0 is the TCNT\_1 overflow signal and that of TMR\_1 is the TCNT\_0 compare match signal, no incrementing clock is generated. Do not use this setting.
  2. To use the external clock, the DDR and ICR bits in the corresponding pin should be set to 0 and 1, respectively. For details, see section 9, I/O Ports.

### 12.3.6 Timer Control/Status Register (TCSR)

TCSR displays status flags, and controls compare match output.

#### • TCSR\_0

Bit	7	6	5	4	3	2	1	0
Bit Name	CMFB	CMFA	OVF	ADTE	OS3	OS2	OS1	OS0
Initial Value	0	0	0	0	0	0	0	0
R/W	R/(W)*	R/(W)*	R/(W)*	R/W	R/W	R/W	R/W	R/W

#### • TCSR\_1

Bit	7	6	5	4	3	2	1	0
Bit Name	CMFB	CMFA	OVF	—	OS3	OS2	OS1	OS0
Initial Value	0	0	0	1	0	0	0	0
R/W	R/(W)*	R/(W)*	R/(W)*	R	R/W	R/W	R/W	R/W

Note: \* Only 0 can be written to this bit, to clear the flag.

- TCSR\_0

Bit	Bit Name	Initial Value	R/W	Description
7	CMFB	0	R/(W)* <sup>1</sup>	<p>Compare Match Flag B</p> <p>[Setting condition]</p> <ul style="list-style-type: none"> <li>When TCNT matches TCORB</li> </ul> <p>[Clearing conditions]</p> <ul style="list-style-type: none"> <li>When writing 0 after reading CMFB = 1 (When the CPU is used to clear this flag by writing 0 while the corresponding interrupt is enabled, be sure to read the flag after writing 0 to it.)</li> <li>When the DTC is activated by a CMIB interrupt while the DISEL bit in MRB of the DTC is 0</li> </ul>
6	CMFA	0	R/(W)* <sup>1</sup>	<p>Compare Match Flag A</p> <p>[Setting condition]</p> <ul style="list-style-type: none"> <li>When TCNT matches TCORA</li> </ul> <p>[Clearing conditions]</p> <ul style="list-style-type: none"> <li>When writing 0 after reading CMFA = 1 (When the CPU is used to clear this flag by writing 0 while the corresponding interrupt is enabled, be sure to read the flag after writing 0 to it.)</li> <li>When the DTC is activated by a CMIA interrupt while the DISEL bit in MRB in the DTC is 0</li> </ul>
5	OVF	0	R/(W)* <sup>1</sup>	<p>Timer Overflow Flag</p> <p>[Setting condition]</p> <p>When TCNT overflows from H'FF to H'00</p> <p>[Clearing condition]</p> <p>When writing 0 after reading OVF = 1 (When the CPU is used to clear this flag by writing 0 while the corresponding interrupt is enabled, be sure to read the flag after writing 0 to it.)</p>



Bit	Bit Name	Initial Value	R/W	Description
4	ADTE	0	R/W	A/D Trigger Enable Selects enabling or disabling of A/D converter start requests by compare match A. 0: A/D converter start requests by compare match A are disabled 1: A/D converter start requests by compare match A are enabled
3	OS3	0	R/W	Output Select 3 and 2 <sup>*2</sup>
2	OS2	0	R/W	These bits select a method of TMO pin output when compare match B of TCORB and TCNT occurs. 00: No change when compare match B occurs 01: 0 is output when compare match B occurs 10: 1 is output when compare match B occurs 11: Output is inverted when compare match B occurs (toggle output)
1	OS1	0	R/W	Output Select 1 and 0 <sup>*2</sup>
0	OS0	0	R/W	These bits select a method of TMO pin output when compare match A of TCORA and TCNT occurs. 00: No change when compare match A occurs 01: 0 is output when compare match A occurs 10: 1 is output when compare match A occurs 11: Output is inverted when compare match A occurs (toggle output)

- Notes: 1. Only 0 can be written to bits 7 to 5, to clear these flags.  
2. Timer output is disabled when bits OS3 to OS0 are all 0. Timer output is 0 until the first compare match occurs after resetting.

## • TCSR\_1

Bit	Bit Name	Initial Value	R/W	Description
7	CMFB	0	R/(W)* <sup>1</sup>	<p>Compare Match Flag B</p> <p>[Setting condition]</p> <ul style="list-style-type: none"> <li>When TCNT matches TCORB</li> </ul> <p>[Clearing conditions]</p> <ul style="list-style-type: none"> <li>When writing 0 after reading CMFB = 1 (When the CPU is used to clear this flag by writing 0 while the corresponding interrupt is enabled, be sure to read the flag after writing 0 to it.)</li> <li>When the DTC is activated by a CMIB interrupt while the DISEL bit in MRB of the DTC is 0</li> </ul>
6	CMFA	0	R/(W)* <sup>1</sup>	<p>Compare Match Flag A</p> <p>[Setting condition]</p> <ul style="list-style-type: none"> <li>When TCNT matches TCORA</li> </ul> <p>[Clearing conditions]</p> <ul style="list-style-type: none"> <li>When writing 0 after reading CMFA = 1 (When the CPU is used to clear this flag by writing 0 while the corresponding interrupt is enabled, be sure to read the flag after writing 0 to it.)</li> <li>When the DTC is activated by a CMIA interrupt while the DISEL bit in MRB of the DTC is 0</li> </ul>
5	OVF	0	R/(W)* <sup>1</sup>	<p>Timer Overflow Flag</p> <p>[Setting condition]</p> <p>When TCNT overflows from H'FF to H'00</p> <p>[Clearing condition]</p> <p>Cleared by reading OVF when OVF = 1, then writing 0 to OVF</p> <p>(When the CPU is used to clear this flag by writing 0 while the corresponding interrupt is enabled, be sure to read the flag after writing 0 to it.)</p>

Bit	Bit Name	Initial Value	R/W	Description
4	—	1	R	Reserved This is a read-only bit and cannot be modified.
3	OS3	0	R/W	Output Select 3 and 2* <sup>2</sup>
2	OS2	0	R/W	These bits select a method of TMO pin output when compare match B of TCORB and TCNT occurs. 00: No change when compare match B occurs 01: 0 is output when compare match B occurs 10: 1 is output when compare match B occurs 11: Output is inverted when compare match B occurs (toggle output)
1	OS1	0	R/W	Output Select 1 and 0* <sup>2</sup>
0	OS0	0	R/W	These bits select a method of TMO pin output when compare match A of TCORA and TCNT occurs. 00: No change when compare match A occurs 01: 0 is output when compare match A occurs 10: 1 is output when compare match A occurs 11: Output is inverted when compare match A occurs (toggle output)

- Notes:
1. Only 0 can be written to bits 7 to 5, to clear these flags.
  2. Timer output is disabled when bits OS3 to OS0 are all 0. Timer output is 0 until the first compare match occurs after resetting.

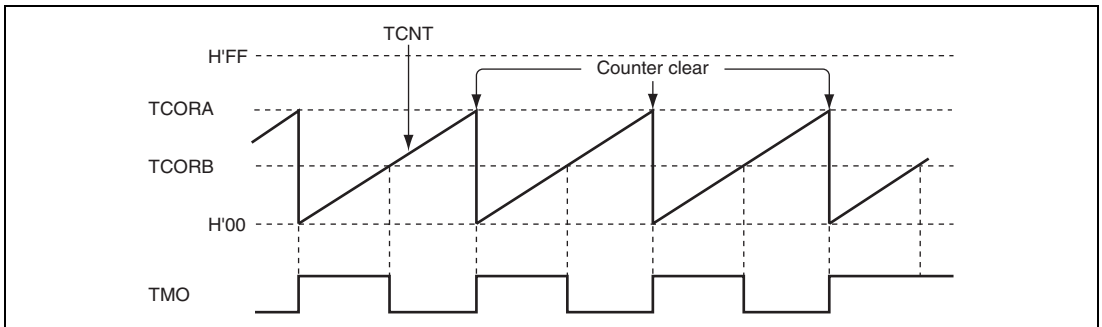
## 12.4 Operation

### 12.4.1 Pulse Output

Figure 12.3 shows an example of the 8-bit timer being used to generate a pulse output with a desired duty cycle. The control bits are set as follows:

1. In TCR, clear bit CCLR1 to 0 and set bit CCLR0 to 1 so that TCNT is cleared at a TCORA compare match.
2. In TCSR, set bits OS3 to OS0 to B'0110, causing the output to change to 1 at a TCORA compare match and to 0 at a TCORB compare match.

With these settings, the 8-bit timer provides pulses output at a cycle determined by TCORA with a pulse width determined by TCORB. No software intervention is required. The output level of the 8-bit timer holds 0 until the first compare match occurs after a reset.



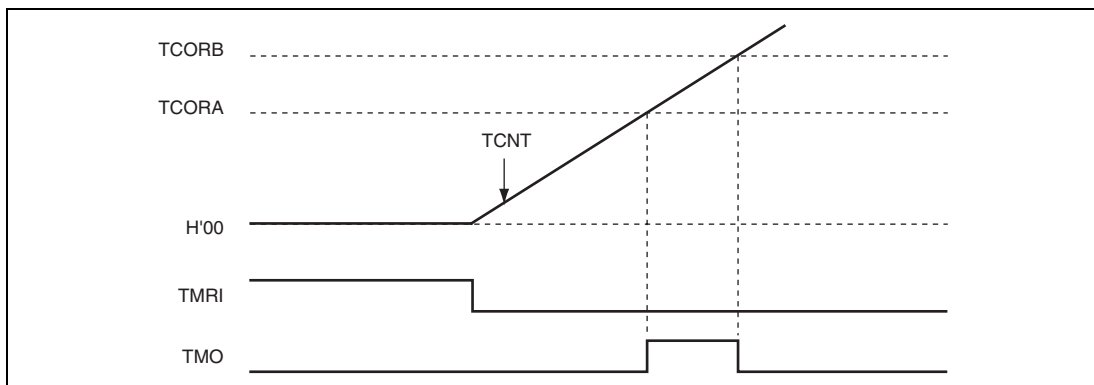
**Figure 12.3 Example of Pulse Output**

## 12.4.2 Reset Input

Figure 12.4 shows an example of the 8-bit timer being used to generate a pulse which is output after a desired delay time from a TMRI input. The control bits are set as follows:

1. Set both bits CCLR1 and CCLR0 in TCR to 1 and set the TMRIS bit in TCCR to 1 so that TCNT is cleared at the high level input of the TMRI signal.
2. In TCSR, set bits OS3 to OS0 to B'0110, causing the output to change to 1 at a TCORA compare match and to 0 at a TCORB compare match.

With these settings, the 8-bit timer provides pulses output at a desired delay time from a TMRI input determined by TCORA and with a pulse width determined by TCORB and TCORA.

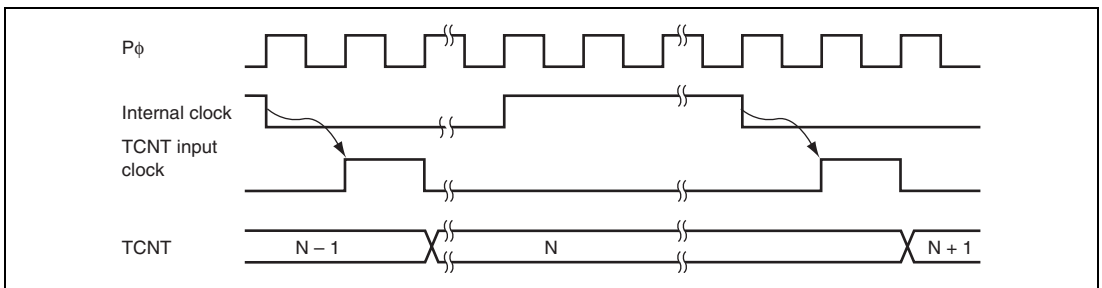


**Figure 12.4 Example of Reset Input**

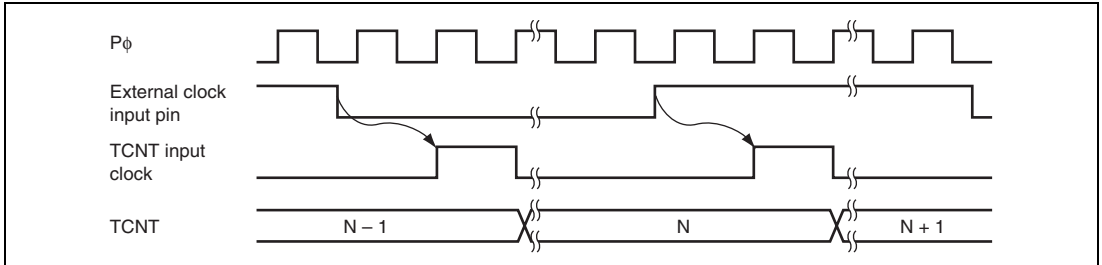
## 12.5 Operation Timing

### 12.5.1 TCNT Count Timing

Figure 12.5 shows the TCNT count timing for internal clock input. Figure 12.6 shows the TCNT count timing for external clock input. Note that the external clock pulse width must be at least 1.5 states for incrementation at a single edge, and at least 2.5 states for incrementation at both edges. The counter will not increment correctly if the pulse width is less than these values.



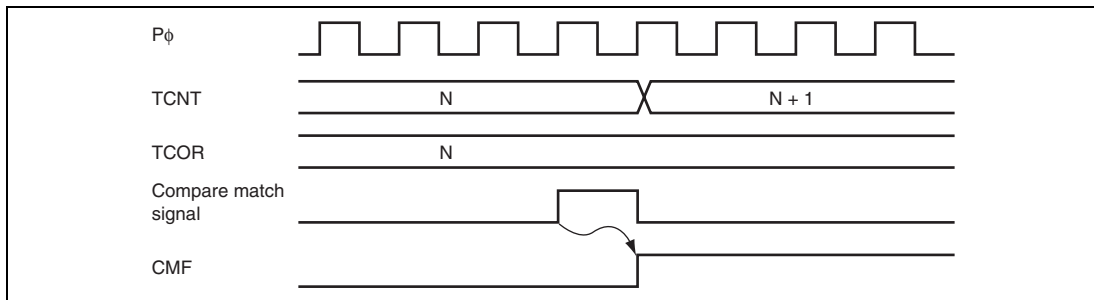
**Figure 12.5** Count Timing for Internal Clock Input at Falling Edge



**Figure 12.6** Count Timing for External Clock Input at Falling and Rising Edges

### 12.5.2 Timing of CMFA and CMFB Setting at Compare Match

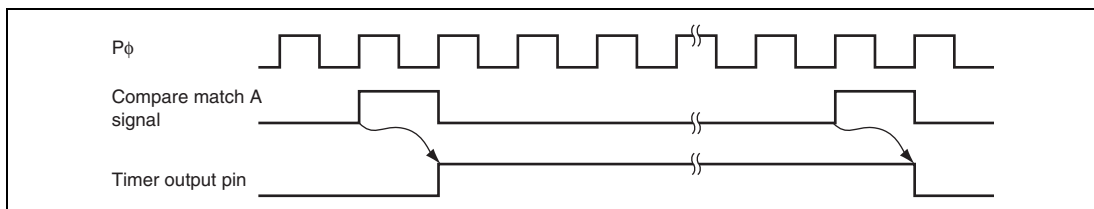
The CMFA and CMFB flags in TCSR are set to 1 by a compare match signal generated when the TCOR and TCNT values match. The compare match signal is generated at the last state in which the match is true, just before the timer counter is updated. Therefore, when the TCOR and TCNT values match, the compare match signal is not generated until the next TCNT clock input. Figure 12.7 shows this timing.



**Figure 12.7 Timing of CMF Setting at Compare Match**

### 12.5.3 Timing of Timer Output at Compare Match

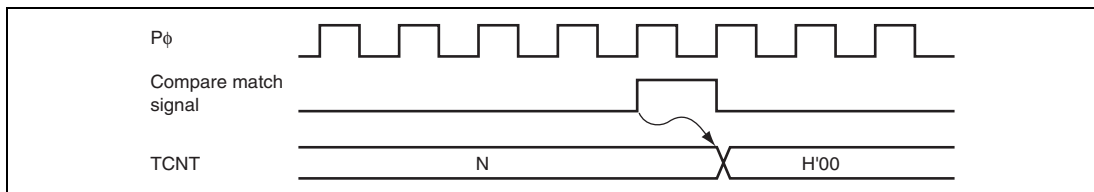
When a compare match signal is generated, the timer output changes as specified by bits OS3 to OS0 in TCSR. Figure 12.8 shows the timing when the timer output is toggled by the compare match A signal.



**Figure 12.8 Timing of Toggled Timer Output at Compare Match A**

### 12.5.4 Timing of Counter Clear by Compare Match

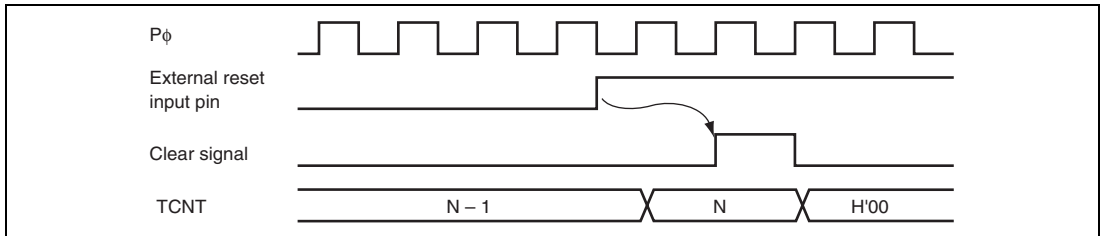
TCNT is cleared when compare match A or B occurs, depending on the settings of bits CCLR1 and CCLR0 in TCR. Figure 12.9 shows the timing of this operation.



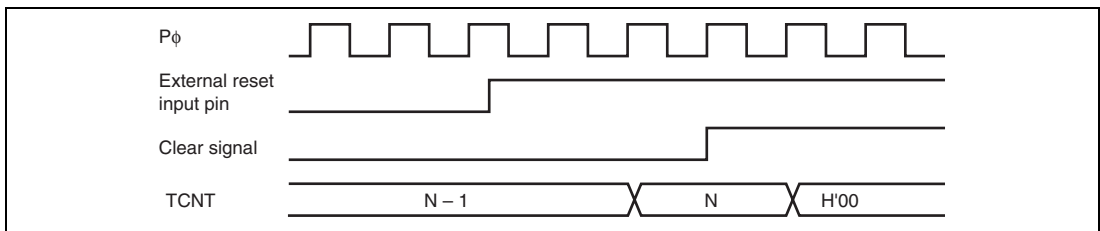
**Figure 12.9 Timing of Counter Clear by Compare Match**

### 12.5.5 Timing of TCNT External Reset

TCNT is cleared at the rising edge or high level of an external reset input, depending on the settings of bits CCLR1 and CCLR0 in TCR. The clear pulse width must be at least 2 states. Figures 12.10 and 12.11 show the timing of this operation.



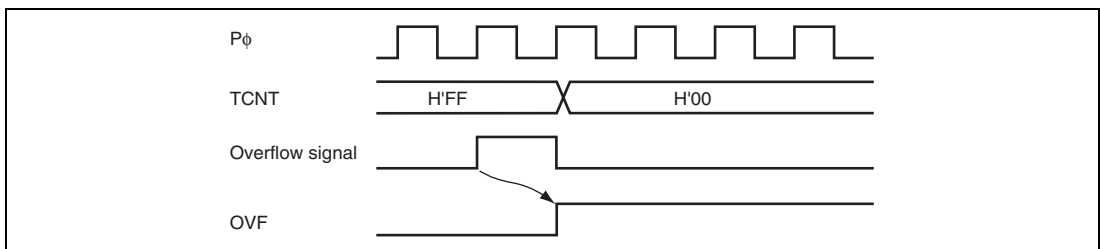
**Figure 12.10 Timing of Clearance by External Reset (Rising Edge)**



**Figure 12.11 Timing of Clearance by External Reset (High Level)**

### 12.5.6 Timing of Overflow Flag (OVF) Setting

The OVF bit in TCSR is set to 1 when TCNT overflows (changes from H'FF to H'00). Figure 12.12 shows the timing of this operation.



**Figure 12.12 Timing of OVF Setting**



## 12.6 Operation with Cascaded Connection

If bits CKS2 to CKS0 in either TCR\_0 or TCR\_1 are set to B'100, the 8-bit timers of the two channels are cascaded. With this configuration, a single 16-bit timer could be used (16-bit counter mode) or compare matches of the 8-bit channel 0 could be counted by the timer of channel 1 (compare match count mode).

### 12.6.1 16-Bit Counter Mode

When bits CKS2 to CKS0 in TCR\_0 are set to B'100, the timer functions as a single 16-bit timer with channel 0 occupying the upper 8 bits and channel 1 occupying the lower 8 bits.

#### (1) Setting of Compare Match Flags:

- The CMF flag in TCSR\_0 is set to 1 when a 16-bit compare match event occurs.
- The CMF flag in TCSR\_1 is set to 1 when a lower 8-bit compare match event occurs.

#### (2) Counter Clear Specification

- If the CCLR1 and CCLR0 bits in TCR\_0 have been set for counter clear at compare match, the 16-bit counter (TCNT\_0 and TCNT\_1 together) is cleared when a 16-bit compare match event occurs. The 16-bit counter (TCNT0 and TCNT1 together) is cleared even if counter clear by the TMRI0 pin has been set.
- The settings of the CCLR1 and CCLR0 bits in TCR\_1 are ignored. The lower 8 bits cannot be cleared independently.

#### (3) Pin Output

- Control of output from the TMO0 pin by bits OS3 to OS0 in TCSR\_0 is in accordance with the 16-bit compare match conditions.
- Control of output from the TMO1 pin by bits OS3 to OS0 in TCSR\_1 is in accordance with the lower 8-bit compare match conditions.

### 12.6.2 Compare Match Count Mode

When bits CKS2 to CKS0 in TCR\_1 are set to B'100, TCNT\_1 counts compare match A for channel 0. Channels 0 and 1 are controlled independently. Conditions such as setting of the CMF flag, generation of interrupts, output from the TMO pin, and counter clear are in accordance with the settings for each channel.

## 12.7 Interrupt Sources

### 12.7.1 Interrupt Sources and DTC Activation

There are three interrupt sources for the 8-bit timer (TMR\_0 or TMR\_1): CMIA, CMIB, and OVI. Their interrupt sources and priorities are shown in table 12.3. Each interrupt source is enabled or disabled by the corresponding interrupt enable bit in TCR or TCSR, and independent interrupt requests are sent for each to the interrupt controller. It is also possible to activate the DTC by means of CMIA and CMIB interrupts.

**Table 12.3 8-Bit Timer (TMR\_0 or TMR\_1) Interrupt Sources**

Name	Interrupt Source	Interrupt Flag	DTC Activation	Priority
CMIA0	TCORA_0 compare match	CMFA	Possible (VNUM = 2'b00)	High
CMIB0	TCORB_0 compare match	CMFB	Possible (VNUM = 2'b01)	↑
OVI0	TCNT_0 overflow	OVF	Not possible	Low
CMIA1	TCORA_1 compare match	CMFA	Possible (VNUM = 2'b10)	High
CMIB1	TCORB_1 compare match	CMFB	Possible (VNUM = 2'b11)	↑
OVI1	TCNT_1 overflow	OVF	Not possible	Low

Note: VNUM is an internal signal.

### 12.7.2 A/D Converter Activation

The A/D converter can be activated only by TMR\_0 compare match A.

If the ADTE bit in TCSR\_0 is set to 1 when the CMFA flag in TCSR\_0 is set to 1 by the occurrence of TMR\_0 compare match A, a request to start A/D conversion is sent to the A/D converter. If the 8-bit timer conversion start trigger has been selected on the A/D converter side at this time, A/D conversion is started.

## 12.8 Usage Notes

### 12.8.1 Notes on Setting Cycle

If the compare match is selected for counter clear, TCNT is cleared at the last state in the cycle in which the values of TCNT and TCOR match. TCNT updates the counter value at this last state. Therefore, the counter frequency is obtained by the following formula.

$$f = P\phi / (N + 1)$$

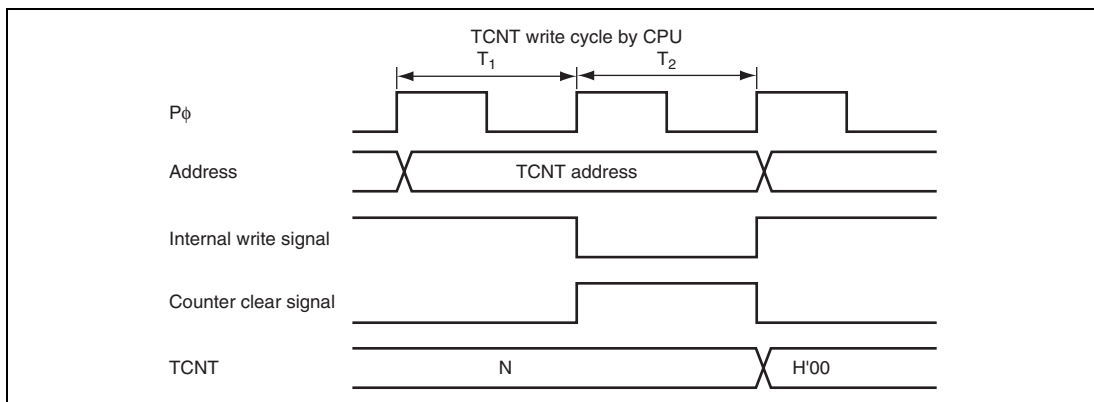
f: Counter frequency

P $\phi$ : Operating frequency

N: TCOR value

### 12.8.2 Conflict between TCNT Write and Clear

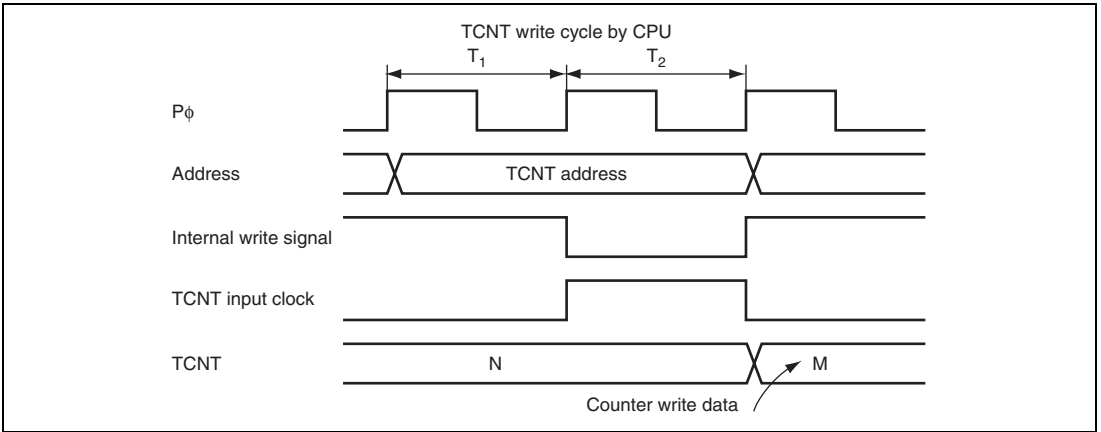
If a counter clear signal is generated during the T<sub>2</sub> state of a TCNT write cycle, the clear takes priority and the write is not performed as shown in figure 12.13.



**Figure 12.13 Conflict between TCNT Write and Clear**

### 12.8.3 Conflict between TCNT Write and Increment

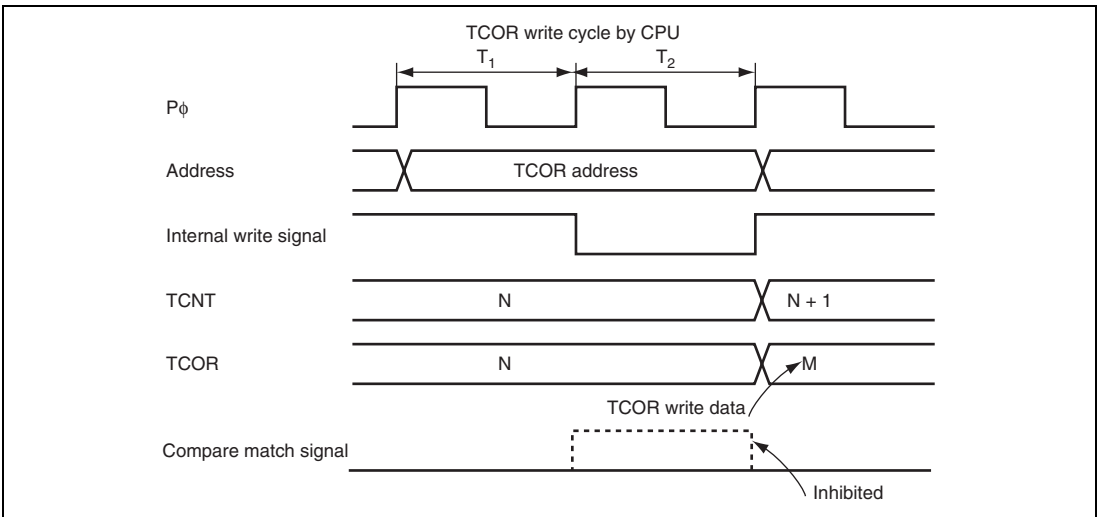
If a TCNT input clock pulse is generated during the T<sub>2</sub> state of a TCNT write cycle, the write takes priority and the counter is not incremented as shown in figure 12.14.



**Figure 12.14 Conflict between TCNT Write and Increment**

### 12.8.4 Conflict between TCOR Write and Compare Match

If a compare match event occurs during the T<sub>2</sub> state of a TCOR write cycle, the TCOR write takes priority and the compare match signal is inhibited as shown in figure 12.15.



**Figure 12.15 Conflict between TCOR Write and Compare Match**

### 12.8.5 Conflict between Compare Matches A and B

If compare match events A and B occur at the same time, the 8-bit timer operates in accordance with the priorities for the output statuses set for compare match A and compare match B, as shown in table 12.4.

**Table 12.4 Timer Output Priorities**

Output Setting	Priority
Toggle output	High
1-output	↑
0-output	
No change	Low

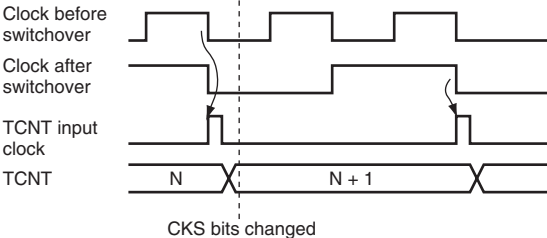
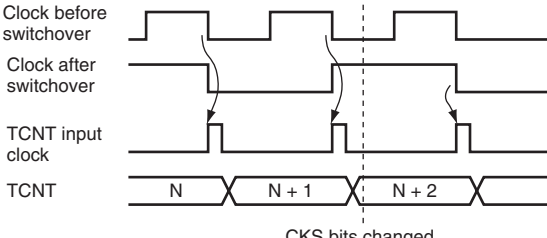
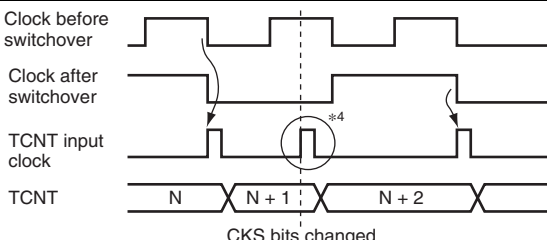
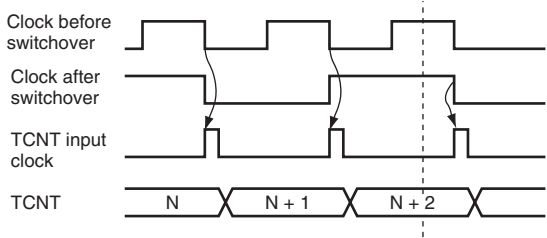
### 12.8.6 Switching of Internal Clocks and TCNT Operation

TCNT may be incremented erroneously depending on when the internal clock is switched. Table 12.5 shows the relationship between the timing at which the internal clock is switched (by writing to bits CKS1 and CKS0) and the TCNT operation.

When the TCNT clock is generated from an internal clock, the rising or falling edge of the internal clock pulse are always monitored. Table 12.5 assumes that the falling edge is selected. If the signal levels of the clocks before and after switching change from high to low as shown in item 3, the change is considered as the falling edge. Therefore, a TCNT clock pulse is generated and TCNT is incremented. This is similar to when the rising edge is selected.

The erroneous incrementation of TCNT can also happen when switching between rising and falling edges of the internal clock, and when switching between internal and external clocks.

**Table 12.5 Switching of Internal Clock and TCNT Operation**

No.	Timing to Change CKS1 and CKS0 Bits	TCNT Clock Operation
1	Switching from low to low* <sup>1</sup>	 <p data-bbox="691 443 840 464">CKS bits changed</p>
2	Switching from low to high* <sup>2</sup>	 <p data-bbox="811 708 960 729">CKS bits changed</p>
3	Switching from high to low* <sup>3</sup>	 <p data-bbox="751 963 900 984">CKS bits changed</p>
4	Switching from high to high	 <p data-bbox="871 1235 1020 1256">CKS bits changed</p>

- Notes:
1. Includes switching from low to stop, and from stop to low.
  2. Includes switching from stop to high.
  3. Includes switching from high to stop.
  4. Generated because the change of the signal levels is considered as a falling edge; TCNT is incremented.

### **12.8.7 Mode Setting with Cascaded Connection**

If 16-bit counter mode and compare match count mode are specified at the same time, input clocks for TCNT\_0 and TCNT\_1 are not generated, and the counter stops. Do not specify 16-bit counter mode and compare match count mode simultaneously.

### **12.8.8 Module Stop Mode Setting**

Operation of the TMR can be disabled or enabled using the module stop control register. The initial setting is for operation of the TMR to be halted. Register access is enabled by clearing module stop mode. For details, see section 19, Power-Down Modes.

### **12.8.9 Interrupts in Module Stop Mode**

If module stop mode is entered when an interrupt has been requested, it will not be possible to clear the CPU interrupt source or the DTC activation source. Interrupts should therefore be disabled before entering module stop mode.





## Section 13 Watchdog Timer (WDT)

The watchdog timer (WDT) is an 8-bit timer that outputs an overflow signal ( $\overline{\text{WDTOVF}}$ ) if a system crash prevents the CPU from writing to the timer counter, thus allowing it to overflow. At the same time, the WDT can also generate an internal reset signal.

When this watchdog function is not needed, the WDT can be used as an interval timer. In interval timer operation, an interval timer interrupt is generated each time the counter overflows.

Figure 13.1 shows a block diagram of the WDT.

### 13.1 Features

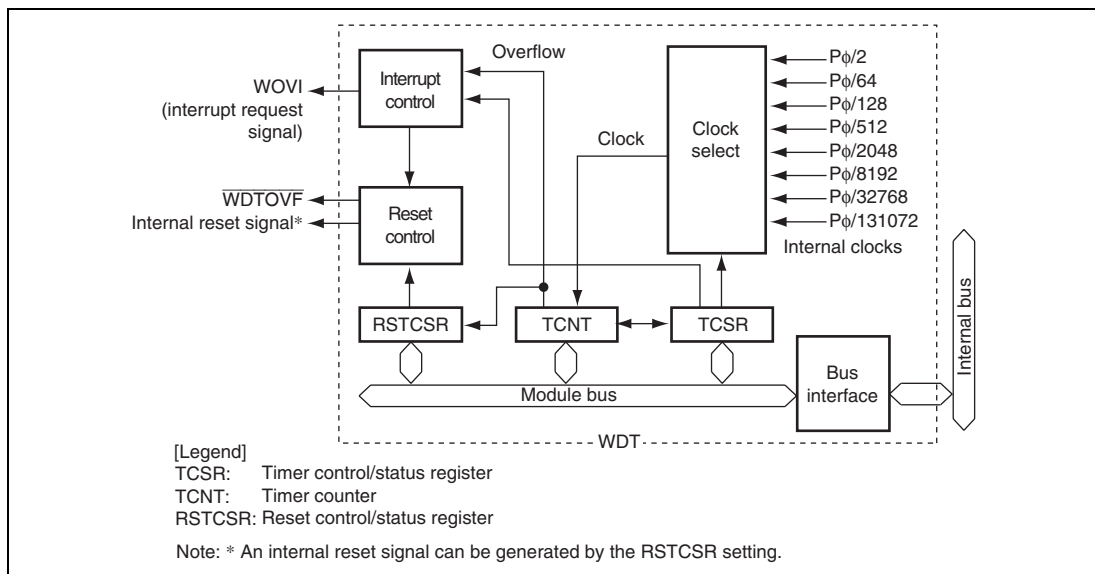
- Selectable from eight counter input clocks
- Switchable between watchdog timer mode and interval timer mode

— In watchdog timer mode

If the counter overflows, the WDT outputs  $\overline{\text{WDTOVF}}$ . It is possible to select whether or not the entire LSI is reset at the same time.

— In interval timer mode

If the counter overflows, the WDT generates an interval timer interrupt (WOVI).



**Figure 13.1 Block Diagram of WDT**

## 13.2 Input/Output Pin

Table 13.1 shows the WDT pin configuration.

**Table 13.1 Pin Configuration**

Name	Symbol	I/O	Function
Watchdog timer overflow	$\overline{\text{WDTOVF}}$	Output	Outputs a counter overflow signal in watchdog timer mode

## 13.3 Register Descriptions

The WDT has the following three registers. To prevent accidental overwriting, TCSR, TCNT, and RSTCSR have to be written to in a method different from normal registers. For details, see section 13.6.1, Notes on Register Access.

- Timer counter (TCNT)
- Timer control/status register (TCSR)
- Reset control/status register (RSTCSR)

### 13.3.1 Timer Counter (TCNT)

TCNT is an 8-bit readable/writable up-counter. TCNT is initialized to H'00 when the TME bit in TCSR is cleared to 0.

Bit	7	6	5	4	3	2	1	0
Bit Name								
Initial Value	0	0	0	0	0	0	0	0
R/W	R/W	R/W	R/W	R/W	R/W	R/W	R/W	R/W

### 13.3.2 Timer Control/Status Register (TCSR)

TCSR selects the clock source to be input to TCNT, and the timer mode.

Bit	7	6	5	4	3	2	1	0
Bit Name	OVF	WT/ $\overline{\text{IT}}$	TME	—	—	CKS2	CKS1	CKS0
Initial Value	0	0	0	1	1	0	0	0
R/W	R/(W)*	R/W	R/W	R	R	R/W	R/W	R/W

Note: \* Only 0 can be written to this bit, to clear the flag.

Bit	Bit Name	Initial Value	R/W	Description
7	OVF	0	R/(W)*	<p>Overflow Flag</p> <p>Indicates that TCNT has overflowed in interval timer mode. Only 0 can be written to this bit, to clear the flag.</p> <p>[Setting condition]</p> <p>When TCNT overflows in interval timer mode (changes from H'FF to H'00)</p> <p>When internal reset request generation is selected in watchdog timer mode, OVF is cleared automatically by the internal reset.</p> <p>[Clearing condition]</p> <p>Cleared by reading TCSR when OVF = 1, then writing 0 to OVF</p> <p>(When the CPU is used to clear this flag by writing 0 while the corresponding interrupt is enabled, be sure to read the flag after writing 0 to it.)</p>
6	WT/ $\overline{\text{IT}}$	0	R/W	<p>Timer Mode Select</p> <p>Selects whether the WDT is used as a watchdog timer or interval timer.</p> <p>0: Interval timer mode</p> <p>When TCNT overflows, an interval timer interrupt (WOVI) is requested.</p> <p>1: Watchdog timer mode</p> <p>When TCNT overflows, the <math>\overline{\text{WDTOVF}}</math> signal is output.</p>

Bit	Bit Name	Initial Value	R/W	Description
5	TME	0	R/W	Timer Enable When this bit is set to 1, TCNT starts counting. When this bit is cleared, TCNT stops counting and is initialized to H'00.
4, 3	—	All 1	R	Reserved These are read-only bits and cannot be modified.
2	CKS2	0	R/W	Clock Select 2 to 0
1	CKS1	0	R/W	Select the clock source to be input to TCNT. The overflow cycle for $P\phi = 20$ MHz is indicated in parentheses.
0	CKS0	0	R/W	000: Clock $P\phi/2$ (cycle: 25.6 $\mu$ s) 001: Clock $P\phi/64$ (cycle: 819.2 $\mu$ s) 010: Clock $P\phi/128$ (cycle: 1.6 ms) 011: Clock $P\phi/512$ (cycle: 6.6 ms) 100: Clock $P\phi/2048$ (cycle: 26.2 ms) 101: Clock $P\phi/8192$ (cycle: 104.9 ms) 110: Clock $P\phi/32768$ (cycle: 419.4 ms) 111: Clock $P\phi/131072$ (cycle: 1.68 s)

Note: \* Only 0 can be written to this bit, to clear the flag.

### 13.3.3 Reset Control/Status Register (RSTCSR)

RSTCSR controls the generation of the internal reset signal when TCNT overflows, and selects the type of internal reset signal. RSTCSR is initialized to H'1F by a reset signal from the  $\overline{RES}$  pin, but not by the WDT internal reset signal caused by WDT overflows.

Bit	7	6	5	4	3	2	1	0
Bit Name	WOVF	RSTE	—	—	—	—	—	—
Initial Value	0	0	0	1	1	1	1	1
R/W	R/(W)*	R/W	R/W	R	R	R	R	R

Note: \* Only 0 can be written to this bit, to clear the flag.

Bit	Bit Name	Initial Value	R/W	Description
7	WOVF	0	R/(W)*	<p>Watchdog Timer Overflow Flag</p> <p>This bit is set when TCNT overflows in watchdog timer mode. This bit cannot be set in interval timer mode, and only 0 can be written.</p> <p>[Setting condition]</p> <p>When TCNT overflows (changed from H'FF to H'00) in watchdog timer mode</p> <p>[Clearing condition]</p> <p>Reading RSTCSR when WOVF = 1, and then writing 0 to WOVF</p> <p>(When the CPU is used to clear this flag by writing 0 while the corresponding interrupt is enabled, be sure to read the flag after writing 0 to it.)</p>
6	RSTE	0	R/W	<p>Reset Enable</p> <p>Specifies whether or not this LSI is internally reset if TCNT overflows during watchdog timer operation.</p> <p>0: LSI is not reset even if TCNT overflows (Though this LSI is not reset, TCNT and TCSR in WDT are reset)</p> <p>1: LSI is reset if TCNT overflows</p>
5	—	0	R/W	<p>Reserved</p> <p>Although this bit is readable/writable, reading from or writing to this bit does not affect operation.</p>
4 to 0	—	All 1	R	<p>Reserved</p> <p>These are read-only bits and cannot be modified.</p>

Note: \* Only 0 can be written to this bit, to clear the flag.

## 13.4 Operation

### 13.4.1 Watchdog Timer Mode

To use the WDT in watchdog timer mode, set both the  $\overline{WT/IT}$  and TME bits in TCSR to 1.

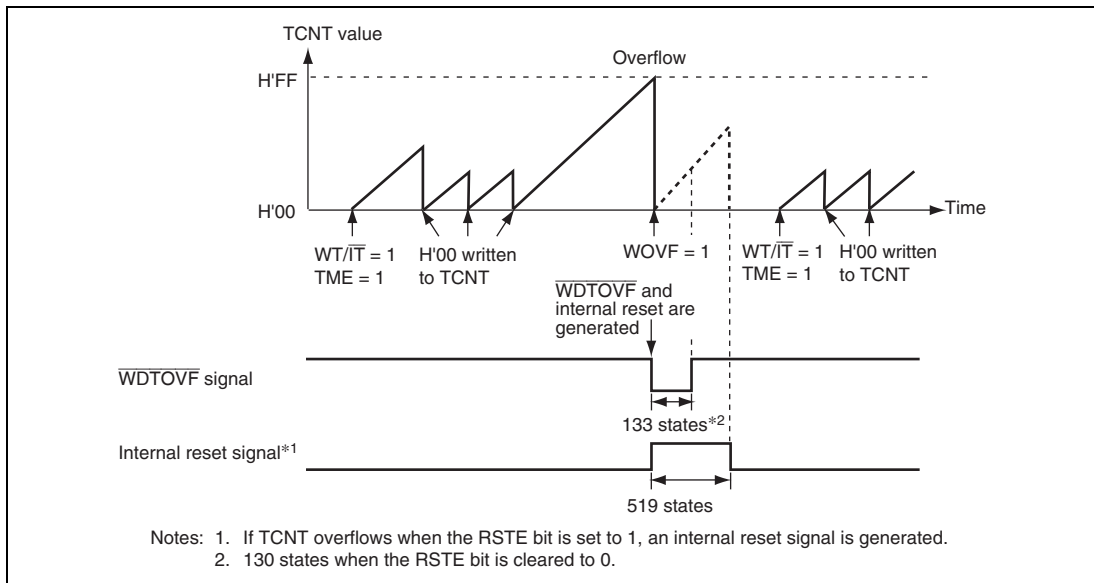
During watchdog timer operation, if TCNT overflows without being rewritten because of a system crash or other error, the  $\overline{WDTOVF}$  signal is output. This ensures that TCNT does not overflow while the system is operating normally. Software must prevent TCNT overflows by rewriting the TCNT value (normally H'00 is written) before overflow occurs. This  $\overline{WDTOVF}$  signal can be used to reset the LSI internally in watchdog timer mode.

If TCNT overflows when the RSTE bit in RSTCSR is set to 1, a signal that resets this LSI internally is generated at the same time as the  $\overline{WDTOVF}$  signal. If a reset caused by a signal input to the  $\overline{RES}$  pin occurs at the same time as a reset caused by a WDT overflow, the  $\overline{RES}$  pin reset has priority and the WOVF bit in RSTCSR is cleared to 0.

The  $\overline{WDTOVF}$  signal is output for 133 states with  $P\phi$  when RSTE = 1 in RSTCSR, and for 130 states with  $P\phi$  when RSTE = 0 in RSTCSR. The internal reset signal is output for 519 states with  $P\phi$ .

When the RSTE bit = 1, an internal reset signal is generated. As this signal resets the system clock control register (SCKCR), the magnification power of  $P\phi$  to the input clock becomes the initial value. When the RSTE bit = 0, no internal reset signal is generated. Therefore, the setting of SCKCR is retained and the magnification power of  $P\phi$  to the input clock does not change.

When TCNT overflows in watchdog timer mode, the WOVF bit in RSTCSR is set to 1. If TCNT overflows when the RSTE bit in RSTCSR is set to 1, an internal reset signal is generated for the entire LSI.



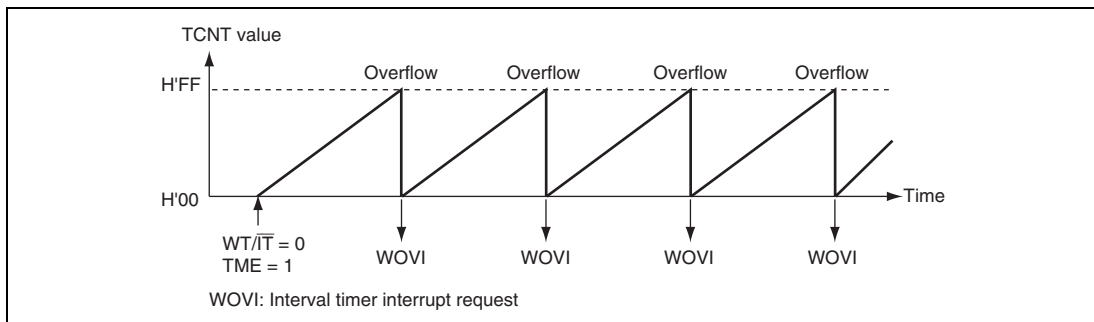
**Figure 13.2 Operation in Watchdog Timer Mode**

### 13.4.2 Interval Timer Mode

To use the WDT as an interval timer, set the  $\overline{\text{WT/IT}}$  bit to 0 and the TME bit to 1 in TCSR.

When the WDT is used as an interval timer, an interval timer interrupt (WOVI) is generated each time the TCNT overflows. Therefore, an interrupt can be generated at intervals.

When the TCNT overflows in interval timer mode, an interval timer interrupt (WOVI) is requested at the same time the OVF bit in the TCSR is set to 1.



**Figure 13.3 Operation in Interval Timer Mode**

## 13.5 Interrupt Source

During interval timer mode operation, an overflow generates an interval timer interrupt (WOVI). The interval timer interrupt is requested whenever the OVF flag is set to 1 in TCSR. The OVF flag must be cleared to 0 in the interrupt handling routine.

**Table 13.2 WDT Interrupt Source**

Name	Interrupt Source	Interrupt Flag	DTC Activation
WOVI	TCNT overflow	OVF	Impossible

## 13.6 Usage Notes

### 13.6.1 Notes on Register Access

The watchdog timer's TCNT, TCSR, and RSTCSR registers differ from other registers in being more difficult to write to. The procedures for writing to and reading these registers are given below.

#### (1) Writing to TCNT, TCSR, and RSTCSR

TCNT and TCSR must be written to by a word transfer instruction. They cannot be written to by a byte transfer instruction.

For writing, TCNT and TCSR are assigned to the same address. Accordingly, perform data transfer as shown in figure 13.4. The transfer instruction writes the lower byte data to TCNT or TCSR.

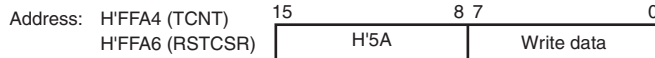
To write to RSTCSR, execute a word transfer instruction for address H'FFA6. A byte transfer instruction cannot be used to write to RSTCSR.

The method of writing 0 to the WOVI bit in RSTCSR differs from that of writing to the RSTE bit in RSTCSR. Perform data transfer as shown in figure 13.4.

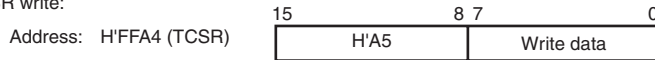
At data transfer, the transfer instruction clears the WOVI bit to 0, but has no effect on the RSTE bit. To write to the RSTE bit, perform data transfer as shown in figure 13.4. In this case, the transfer instruction writes the value in bit 6 of the lower byte to the RSTE bit, but has no effect on the WOVI bit.



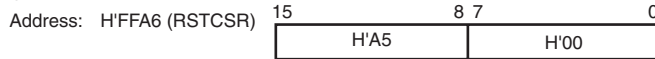
TCNT write or writing to the RSTE bit in RSTCSR:



TCSR write:



Writing 0 to the WOVF bit in RSTCSR:



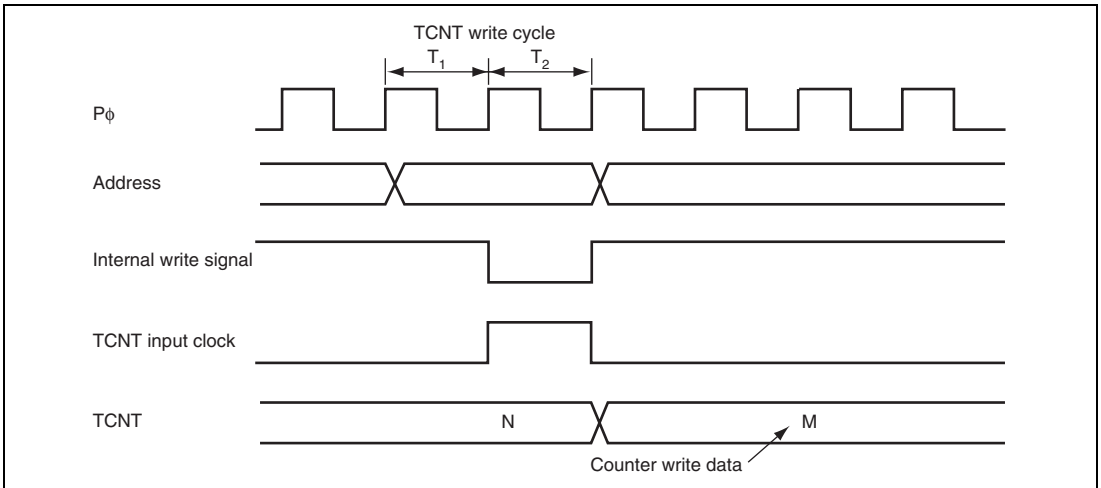
**Figure 13.4 Writing to TCNT, TCSR, and RSTCSR**

## (2) Reading from TCNT, TCSR, and RSTCSR

These registers can be read from in the same way as other registers. For reading, TCSR is assigned to address H'FFA4, TCNT to address H'FFA5, and RSTCSR to address H'FFA7.

### 13.6.2 Conflict between Timer Counter (TCNT) Write and Increment

If a TCNT clock pulse is generated during the T2 state of a TCNT write cycle, the write takes priority and the timer counter is not incremented. Figure 13.5 shows this operation.



**Figure 13.5 Conflict between TCNT Write and Increment**

### 13.6.3 Changing Values of Bits CKS2 to CKS0

If bits CKS2 to CKS0 in TCSR are written to while the WDT is operating, errors could occur in the incrementation. The watchdog timer must be stopped (by clearing the TME bit to 0) before the values of bits CKS2 to CKS0 are changed.

### 13.6.4 Switching between Watchdog Timer Mode and Interval Timer Mode

If the timer mode is switched from watchdog timer mode to interval timer mode while the WDT is operating, errors could occur in the incrementation. The watchdog timer must be stopped (by clearing the TME bit to 0) before switching the timer mode.

### 13.6.5 Internal Reset in Watchdog Timer Mode

This LSI is not reset internally if TCNT overflows while the RSTE bit is cleared to 0 during watchdog timer mode operation, but TCNT and TCSR of the WDT are reset.

TCNT, TCSR, and RSTCR cannot be written to while the  $\overline{\text{WDTOVF}}$  signal is low. Also note that a read of the WOVF flag is not recognized during this period. To clear the WOVF flag, therefore, read TCSR after the  $\overline{\text{WDTOVF}}$  signal goes high, and then write 0 to the WOVF flag.

### 13.6.6 System Reset by $\overline{\text{WDTOVF}}$ Signal

If the  $\overline{\text{WDTOVF}}$  signal is input to the  $\overline{\text{RES}}$  pin, this LSI will not be initialized correctly. Make sure that the  $\overline{\text{WDTOVF}}$  signal is not input logically to the  $\overline{\text{RES}}$  pin. To reset the entire system by means of the  $\overline{\text{WDTOVF}}$  signal, use a circuit like that shown in figure 13.6.

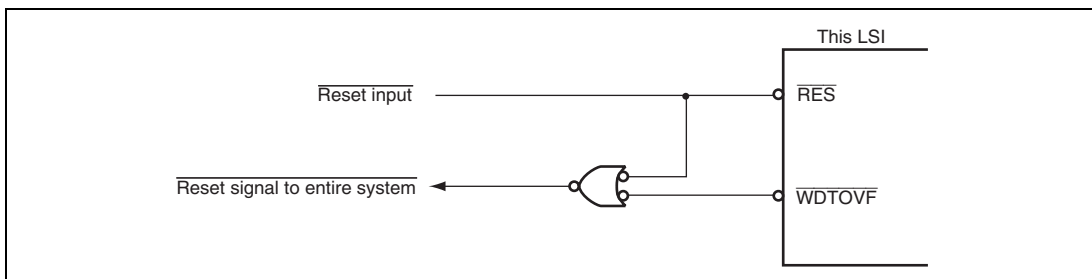


Figure 13.6 Circuit for System Reset by  $\overline{\text{WDTOVF}}$  Signal (Example)

### 13.6.7 Transition to Watchdog Timer Mode or Software Standby Mode

When the WDT operates in watchdog timer mode, a transition to software standby mode is not made even when the SLEEP instruction is executed when the SSBY bit in SBYCR is set to 1. Instead, a transition to sleep mode is made.

To transit to software standby mode, the SLEEP instruction must be executed after halting the WDT (clearing the TME bit to 0).

When the WDT operates in interval timer mode, a transition to software standby mode is made through execution of the SLEEP instruction when the SSBY bit in SBYCR is set to 1.



## Section 14 Serial Communication Interface (SCI)

This LSI has five independent serial communication interface (SCI) channels. The SCI can handle both asynchronous and clocked synchronous serial communication. Asynchronous serial data communication can be carried out with standard asynchronous communication chips such as a Universal Asynchronous Receiver/Transmitter (UART) or Asynchronous Communication Interface Adapter (ACIA). A function is also provided for serial communication between processors (multiprocessor communication function). The SCI also supports the smart card (IC card) interface supporting ISO/IEC 7816-3 (Identification Card) as an extended asynchronous communication mode. Figure 14.1 shows a block diagram of the SCI.

### 14.1 Features

- Choice of asynchronous or clocked synchronous serial communication mode
- Full-duplex communication capability

The transmitter and receiver are mutually independent, enabling transmission and reception to be executed simultaneously. Double-buffering is used in both the transmitter and the receiver, enabling continuous transmission and continuous reception of serial data.

- On-chip baud rate generator allows any bit rate to be selected

The external clock can be selected as a transfer clock source (except for the smart card interface).

- Choice of LSB-first or MSB-first transfer (except in the case of asynchronous mode 7-bit data)
- Four interrupt sources

The interrupt sources are transmit-end, transmit-data-empty, receive-data-full, and receive error. The transmit-data-empty and receive-data-full interrupt sources can activate the DTC or DMAC.

- Module stop mode can be set

#### Asynchronous Mode:

- Data length: 7 or 8 bits
- Stop bit length: 1 or 2 bits
- Parity: Even, odd, or none
- Receive error detection: Parity, overrun, and framing errors
- Break detection: Break can be detected by reading the RxD pin level directly in case of a framing error

- Average transfer rate generator (SCI\_2 only)  
10.667-MHz operation: 460.606 kbps or 115.152 kbps can be selected  
16-MHz operation: 720 kbps, 460.784 kbps, or 115.196 kbps can be selected  
32-MHz operation: 720 kbps

### Clocked Synchronous Mode:

- Data length: 8 bits
- Receive error detection: Overrun errors

### Smart Card Interface:

- An error signal can be automatically transmitted on detection of a parity error during reception
- Data can be automatically re-transmitted on receiving an error signal during transmission
- Both direct convention and inverse convention are supported

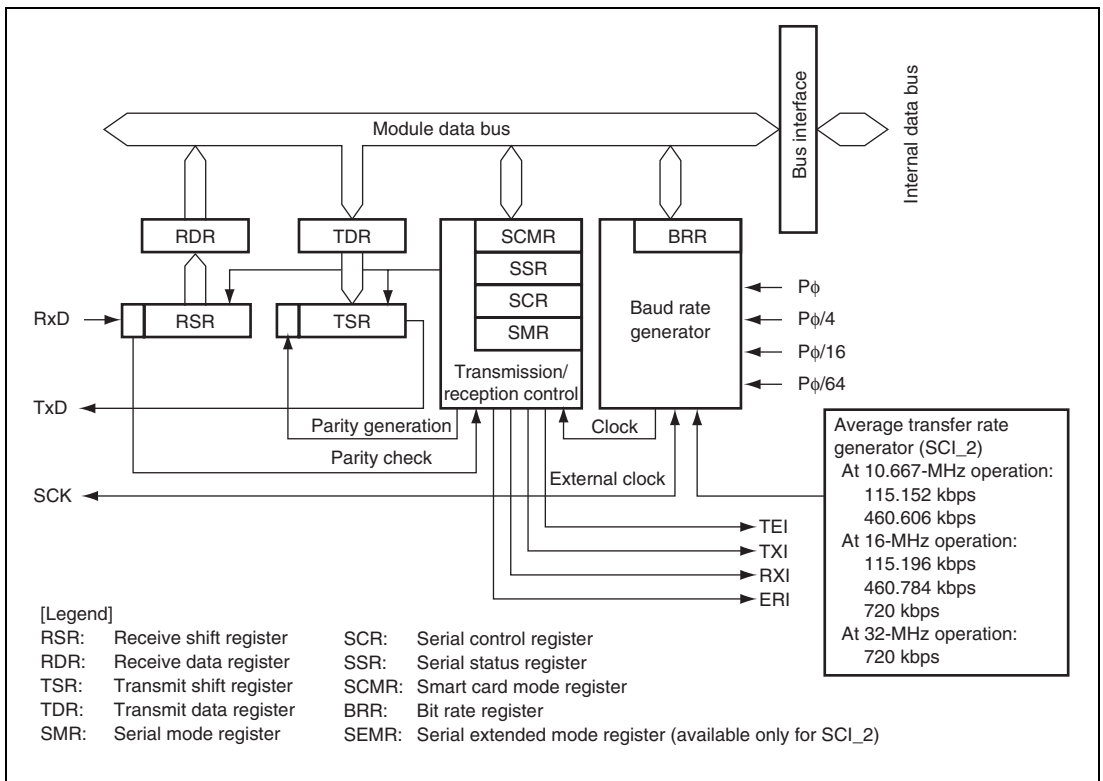


Figure 14.1 Block Diagram of SCI

## 14.2 Input/Output Pins

Table 14.1 lists the pin configuration of the SCI.

**Table 14.1 Pin Configuration**

Channel	Pin Name*	I/O	Function
0	SCK0	I/O	Channel 0 clock input/output
	RxD0	Input	Channel 0 receive data input
	TxD0	Output	Channel 0 transmit data output
1	SCK1	I/O	Channel 1 clock input/output
	RxD1	Input	Channel 1 receive data input
	TxD1	Output	Channel 1 transmit data output
2	SCK2	I/O	Channel 2 clock input/output
	RxD2	Input	Channel 2 receive data input
	TxD2	Output	Channel 2 transmit data output
3	SCK3	I/O	Channel 3 clock input/output
	RxD3	Input	Channel 3 receive data input
	TxD3	Output	Channel 3 transmit data output
4	SCK4	I/O	Channel 4 clock input/output
	RxD4	Input	Channel 4 receive data input
	TxD4	Output	Channel 4 transmit data output

Note: \* Pin names SCK, RxD, and TxD are used in the text for all channels, omitting the channel designation.

## 14.3 Register Descriptions

The SCI has the following registers. Some bits in the serial mode register (SMR), serial status register (SSR), and serial control register (SCR) have different functions in different modes—normal serial communication interface mode and smart card interface mode; therefore, the bits are described separately for each mode in the corresponding register sections.

### Channel 0:

- Receive shift register\_0 (RSR\_0)
- Transmit shift register\_0 (TSR\_0)
- Receive data register\_0 (RDR\_0)
- Transmit data register\_0 (TDR\_0)
- Serial mode register\_0 (SMR\_0)
- Serial control register\_0 (SCR\_0)
- Serial status register\_0 (SSR\_0)
- Smart card mode register\_0 (SCMR\_0)
- Bit rate register\_0 (BRR\_0)

### Channel 1:

- Receive shift register\_1 (RSR\_1)
- Transmit shift register\_1 (TSR\_1)
- Receive data register\_1 (RDR\_1)
- Transmit data register\_1 (TDR\_1)
- Serial mode register\_1 (SMR\_1)
- Serial control register\_1 (SCR\_1)
- Serial status register\_1 (SSR\_1)
- Smart card mode register\_1 (SCMR\_1)
- Bit rate register\_1 (BRR\_1)



**Channel 2:**

- Receive shift register\_2 (RSR\_2)
- Transmit shift register\_2 (TSR\_2)
- Receive data register\_2 (RDR\_2)
- Transmit data register\_2 (TDR\_2)
- Serial mode register\_2 (SMR\_2)
- Serial control register\_2 (SCR\_2)
- Serial status register\_2 (SSR\_2)
- Smart card mode register\_2 (SCMR\_2)
- Bit rate register\_2 (BRR\_2)
- Serial extended mode register\_2 (SEMR\_2) (SCI\_2 only)

**Channel 3:**

- Receive shift register\_3 (RSR\_3)
- Transmit shift register\_3 (TSR\_3)
- Receive data register\_3 (RDR\_3)
- Transmit data register\_3 (TDR\_3)
- Serial mode register\_3 (SMR\_3)
- Serial control register\_3 (SCR\_3)
- Serial status register\_3 (SSR\_3)
- Smart card mode register\_3 (SCMR\_3)
- Bit rate register\_3 (BRR\_3)

**Channel 4:**

- Receive shift register\_4 (RSR\_4)
- Transmit shift register\_4 (TSR\_4)
- Receive data register\_4 (RDR\_4)
- Transmit data register\_4 (TDR\_4)
- Serial mode register\_4 (SMR\_4)
- Serial control register\_4 (SCR\_4)
- Serial status register\_4 (SSR\_4)
- Smart card mode register\_4 (SCMR\_4)
- Bit rate register\_4 (BRR\_4)

### 14.3.1 Receive Shift Register (RSR)

RSR is a shift register which is used to receive serial data input from the RxD pin and converts it into parallel data. When one frame of data has been received, it is transferred to RDR automatically. RSR cannot be directly accessed by the CPU.

### 14.3.2 Receive Data Register (RDR)

RDR is an 8-bit register that stores receive data. When the SCI has received one frame of serial data, it transfers the received serial data from RSR to RDR where it is stored. This allows RSR to receive the next data. Since RSR and RDR function as a double buffer in this way, continuous receive operations can be performed. After confirming that the RDRF bit in SSR is set to 1, read RDR only once. RDR cannot be written to by the CPU.

Bit	7	6	5	4	3	2	1	0
Bit Name								
Initial Value	0	0	0	0	0	0	0	0
R/W	R	R	R	R	R	R	R	R

### 14.3.3 Transmit Data Register (TDR)

TDR is an 8-bit register that stores transmit data. When the SCI detects that TSR is empty, it transfers the transmit data written in TDR to TSR and starts transmission. The double-buffered structures of TDR and TSR enables continuous serial transmission. If the next transmit data has already been written to TDR when one frame of data is transmitted, the SCI transfers the written data to TSR to continue transmission. Although TDR can be read from or written to by the CPU at all times, to achieve reliable serial transmission, write transmit data to TDR for only once after confirming that the TDRE bit in SSR is set to 1.

Bit	7	6	5	4	3	2	1	0
Bit Name								
Initial Value	1	1	1	1	1	1	1	1
R/W	R/W	R/W	R/W	R/W	R/W	R/W	R/W	R/W

### 14.3.4 Transmit Shift Register (TSR)

TSR is a shift register that transmits serial data. To perform serial data transmission, the SCI first automatically transfers transmit data from TDR to TSR, and then sends the data to the TxD pin. TSR cannot be directly accessed by the CPU.

### 14.3.5 Serial Mode Register (SMR)

SMR is used to set the SCT's serial transfer format and select the baud rate generator clock source. Some bits in SMR have different functions in normal mode and smart card interface mode.

- When SMIF in SCMR = 0

Bit	7	6	5	4	3	2	1	0
Bit Name	C/ $\bar{A}$	CHR	PE	O/ $\bar{E}$	STOP	MP	CKS1	CKS0
Initial Value	0	0	0	0	0	0	0	0
R/W	R/W	R/W	R/W	R/W	R/W	R/W	R/W	R/W

- When SMIF in SCMR = 1

Bit	7	6	5	4	3	2	1	0
Bit Name	GM	BLK	PE	O/ $\bar{E}$	BCP1	BCP0	CKS1	CKS0
Initial Value	0	0	0	0	0	0	0	0
R/W	R/W	R/W	R/W	R/W	R/W	R/W	R/W	R/W

#### Bit Functions in Normal Serial Communication Interface Mode (When SMIF in SCMR = 0):

Bit	Bit Name	Initial Value	R/W	Description
7	C/ $\bar{A}$	0	R/W	Communication Mode 0: Asynchronous mode 1: Clocked synchronous mode
6	CHR	0	R/W	Character Length (valid only in asynchronous mode) 0: Selects 8 bits as the data length. 1: Selects 7 bits as the data length. LSB-first is fixed and the MSB (bit 7) in TDR is not transmitted in transmission.  In clocked synchronous mode, a fixed data length of 8 bits is used.

Bit	Bit Name	Initial Value	R/W	Description
5	PE	0	R/W	Parity Enable (valid only in asynchronous mode) When this bit is set to 1, the parity bit is added to transmit data before transmission, and the parity bit is checked in reception. For a multiprocessor format, parity bit addition and checking are not performed regardless of the PE bit setting.
4	O/ $\bar{E}$	0	R/W	Parity Mode (valid only when the PE bit is 1 in asynchronous mode) 0: Selects even parity. 1: Selects odd parity.
3	STOP	0	R/W	Stop Bit Length (valid only in asynchronous mode) Selects the stop bit length in transmission. 0: 1 stop bit 1: 2 stop bits In reception, only the first stop bit is checked. If the second stop bit is 0, it is treated as the start bit of the next transmit frame.
2	MP	0	R/W	Multiprocessor Mode (valid only in asynchronous mode) When this bit is set to 1, the multiprocessor function is enabled. The PE bit and O/ $\bar{E}$ bit settings are invalid in multiprocessor mode.
1	CKS1	0	R/W	Clock Select 1, 0
0	CKS0	0	R/W	These bits select the clock source for the baud rate generator. 00: P $\phi$ clock (n = 0) 01: P $\phi$ /4 clock (n = 1) 10: P $\phi$ /16 clock (n = 2) 11: P $\phi$ /64 clock (n = 3) For the relation between the settings of these bits and the baud rate, see section 14.3.9, Bit Rate Register (BRR). n is the decimal display of the value of n in BRR (see section 14.3.9, Bit Rate Register (BRR)).

**Bit Functions in Smart Card Interface Mode (When SMIF in SCMR = 1):**

Bit	Bit Name	Initial Value	R/W	Description
7	GM	0	R/W	GSM Mode Setting this bit to 1 allows GSM mode operation. In GSM mode, the TEND set timing is put forward to 11.0 etu from the start and the clock output control function is appended. For details, see sections 14.7.6, Data Transmission (Except in Block Transfer Mode) and 14.7.8, Clock Output Control.
6	BLK	0	R/W	Setting this bit to 1 allows block transfer mode operation. For details, see section 14.7.3, Block Transfer Mode.
5	PE	0	R/W	Parity Enable (valid only in asynchronous mode) When this bit is set to 1, the parity bit is added to transmit data before transmission, and the parity bit is checked in reception. Set this bit to 1 in smart card interface mode.
4	O/ $\bar{E}$	0	R/W	Parity Mode (valid only when the PE bit is 1 in asynchronous mode) 0: Selects even parity 1: Selects odd parity For details on the usage of this bit in smart card interface mode, see section 14.7.2, Data Format (Except in Block Transfer Mode).
3	BCP1	0	R/W	Basic Clock Pulse 1,0
2	BCP0	0	R/W	These bits select the number of basic clock cycles in a 1-bit data transfer time in smart card interface mode. 00: 32 clock cycles (S = 32) 01: 64 clock cycles (S = 64) 10: 372 clock cycles (S = 372) 11: 256 clock cycles (S = 256) For details, see section 14.7.4, Receive Data Sampling Timing and Reception Margin. S is described in section 14.3.9, Bit Rate Register (BRR).

Bit	Bit Name	Initial Value	R/W	Description
1	CKS1	0	R/W	Clock Select 1,0
0	CKS0	0	R/W	These bits select the clock source for the baud rate generator. 00: P $\phi$ clock (n = 0) 01: P $\phi$ /4 clock (n = 1) 10: P $\phi$ /16 clock (n = 2) 11: P $\phi$ /64 clock (n = 3) For the relation between the settings of these bits and the baud rate, see section 14.3.9, Bit Rate Register (BRR). n is the decimal display of the value of n in BRR (see section 14.3.9, Bit Rate Register (BRR)).

Note: etu (Elementary Time Unit): 1-bit transfer time

### 14.3.6 Serial Control Register (SCR)

SCR is a register that enables/disables the following SCI transfer operations and interrupt requests, and selects the transfer clock source. For details on interrupt requests, see section 14.8, Interrupt Sources. Some bits in SCR have different functions in normal mode and smart card interface mode.

- When SMIF in SCMR = 0

Bit	7	6	5	4	3	2	1	0
Bit Name	TIE	RIE	TE	RE	MPIE	TEIE	CKE1	CKE0
Initial Value	0	0	0	0	0	0	0	0
R/W	R/W	R/W	R/W	R/W	R/W	R/W	R/W	R/W

- When SMIF in SCMR = 1

Bit	7	6	5	4	3	2	1	0
Bit Name	TIE	RIE	TE	RE	MPIE	TEIE	CKE1	CKE0
Initial Value	0	0	0	0	0	0	0	0
R/W	R/W	R/W	R/W	R/W	R/W	R/W	R/W	R/W

**Bit Functions in Normal Serial Communication Interface Mode (When SMIF in SCMR = 0):**

Bit	Bit Name	Initial Value	R/W	Description
7	TIE	0	R/W	<p>Transmit Interrupt Enable</p> <p>When this bit is set to 1, a TXI interrupt request is enabled.</p> <p>A TXI interrupt request can be cancelled by reading 1 from the TDRE flag and then clearing the flag to 0, or by clearing the TIE bit to 0.</p>
6	RIE	0	R/W	<p>Receive Interrupt Enable</p> <p>When this bit is set to 1, RXI and ERI interrupt requests are enabled.</p> <p>RXI and ERI interrupt requests can be cancelled by reading 1 from the RDRF, FER, PER, or ORER flag and then clearing the flag to 0, or by clearing the RIE bit to 0.</p>
5	TE	0	R/W	<p>Transmit Enable</p> <p>When this bit is set to 1, transmission is enabled. Under this condition, serial transmission is started by writing transmit data to TDR, and clearing the TDRE flag in SSR to 0. Note that SMR should be set prior to setting the TE bit to 1 in order to designate the transmission format.</p> <p>If transmission is halted by clearing this bit to 0, the TDRE flag in SSR is fixed 1.</p>
4	RE	0	R/W	<p>Receive Enable</p> <p>When this bit is set to 1, reception is enabled. Under this condition, serial reception is started by detecting the start bit in asynchronous mode or the synchronous clock input in clocked synchronous mode. Note that SMR should be set prior to setting the RE bit to 1 in order to designate the reception format.</p> <p>Even if reception is halted by clearing this bit to 0, the RDRF, FER, PER, and ORER flags are not affected and the previous value is retained.</p>

Bit	Bit Name	Initial Value	R/W	Description
3	MPIE	0	R/W	<p>Multiprocessor Interrupt Enable (valid only when the MP bit in SMR is 1 in asynchronous mode)</p> <p>When this bit is set to 1, receive data in which the multiprocessor bit is 0 is skipped, and setting of the RDRF, FER, and ORER status flags in SSR is disabled. On receiving data in which the multiprocessor bit is 1, this bit is automatically cleared and normal reception is resumed. For details, see section 14.5, Multiprocessor Communication Function.</p> <p>When receive data including MPB = 0 in SSR is being received, transfer of the received data from RSR to RDR, detection of reception errors, and the settings of RDRF, FER, and ORER flags in SSR are not performed. When receive data including MPB = 1 is received, the MPB bit in SSR is set to 1, the MPIE bit is automatically cleared to 0, and RXI and ERI interrupt requests (in the case where the TIE and RIE bits in SCR are set to 1) and setting of the FER and ORER flags are enabled.</p>
2	TEIE	0	R/W	<p>Transmit End Interrupt Enable</p> <p>When this bit is set to 1, a TEI interrupt request is enabled. A TEI interrupt request can be cancelled by reading 1 from the TDRE flag and then clearing the flag to 0 in order to clear the TEND flag to 0, or by clearing the TEIE bit to 0.</p>



Bit	Bit Name	Initial Value	R/W	Description
1	CKE1	0	R/W	Clock Enable 1, 0
0	CKE0	0	R/W	<p>These bits select the clock source and SCK pin function.</p> <ul style="list-style-type: none"> <li>Asynchronous mode</li> </ul> <p>00: On-chip baud rate generator (SCK pin functions as I/O port.)</p> <p>01: On-chip baud rate generator (Outputs a clock with the same frequency as the bit rate from the SCK pin.)</p> <p>1X: External clock (Inputs a clock with a frequency 16 times the bit rate from the SCK pin.)</p> <ul style="list-style-type: none"> <li>Clocked synchronous mode</li> </ul> <p>0X: Internal clock (SCK pin functions as clock output.)</p> <p>1X: External clock (SCK pin functions as clock input.)</p>

Note: X: Don't care

#### Bit Functions in Smart Card Interface Mode (When SMIF in SCMR = 1):

Bit	Bit Name	Initial Value	R/W	Description
7	TIE	0	R/W	<p>Transmit Interrupt Enable</p> <p>When this bit is set to 1, a TXI interrupt request is enabled.</p> <p>A TXI interrupt request can be cancelled by reading 1 from the TDRE flag and then clearing the flag to 0, or by clearing the TIE bit to 0.</p>

Bit	Bit Name	Initial Value	R/W	Description
6	RIE	0	R/W	<p>Receive Interrupt Enable</p> <p>When this bit is set to 1, RXI and ERI interrupt requests are enabled.</p> <p>RXI and ERI interrupt requests can be cancelled by reading 1 from the RDRF, FER, PER, or ORER flag and then clearing the flag to 0, or by clearing the RIE bit to 0.</p>
5	TE	0	R/W	<p>Transmit Enable</p> <p>When this bit is set to 1, transmission is enabled. Under this condition, serial transmission is started by writing transmit data to TDR, and clearing the TDRE flag in SSR to 0. Note that SMR should be set prior to setting the TE bit to 1 in order to designate the transmission format.</p> <p>If transmission is halted by clearing this bit to 0, the TDRE flag in SSR is fixed 1.</p>
4	RE	0	R/W	<p>Receive Enable</p> <p>When this bit is set to 1, reception is enabled. Under this condition, serial reception is started by detecting the start bit in asynchronous mode or the synchronous clock input in clocked synchronous mode. Note that SMR should be set prior to setting the RE bit to 1 in order to designate the reception format.</p> <p>Even if reception is halted by clearing this bit to 0, the RDRF, FER, PER, and ORER flags are not affected and the previous value is retained.</p>
3	MPIE	0	R/W	<p>Multiprocessor Interrupt Enable (valid only when the MP bit in SMR is 1 in asynchronous mode)</p> <p>Write 0 to this bit in smart card interface mode.</p>
2	TEIE	0	R/W	<p>Transmit End Interrupt Enable</p> <p>Write 0 to this bit in smart card interface mode.</p>

Bit	Bit Name	Initial Value	R/W	Description
1	CKE1	0	R/W	Clock Enable 1, 0
0	CKE0	0	R/W	<p>These bits control the clock output from the SCK pin. In GSM mode, clock output can be dynamically switched. For details, see section 14.7.8, Clock Output Control.</p> <ul style="list-style-type: none"> <li>When GM in SMR = 0           <ul style="list-style-type: none"> <li>00: Output disabled (SCK pin functions as I/O port.)</li> <li>01: Clock output</li> <li>1X: Reserved</li> </ul> </li> <li>When GM in SMR = 1           <ul style="list-style-type: none"> <li>00: Output fixed low</li> <li>01: Clock output</li> <li>10: Output fixed high</li> <li>11: Clock output</li> </ul> </li> </ul>

### 14.3.7 Serial Status Register (SSR)

SSR is a register containing status flags of the SCI and multiprocessor bits for transfer. TDRE, RDRF, ORER, PER, and FER can only be cleared. Some bits in SSR have different functions in normal mode and smart card interface mode.

- When SMIF in SCMR = 0

Bit	7	6	5	4	3	2	1	0
Bit Name	TDRE	RDRF	ORER	FRE	PER	TEND	MPB	MPBT
Initial Value	1	0	0	0	0	1	0	0
R/W	R/(W)*	R/(W)*	R/(W)*	R/(W)*	R/(W)*	R	R	R/W

Note: \* Only 0 can be written, to clear the flag.

- When SMIF in SCMR = 1

Bit	7	6	5	4	3	2	1	0
Bit Name	TDRE	RDRF	ORER	ERS	PER	TEND	MPB	MPBT
Initial Value	1	0	0	0	0	1	0	0
R/W	R/(W)*	R/(W)*	R/(W)*	R/(W)*	R/(W)*	R	R	R/W

Note: \* Only 0 can be written, to clear the flag.

**Bit Functions in Normal Serial Communication Interface Mode (When SMIF in SCMR = 0):**

Bit	Bit Name	Initial Value	R/W	Description
7	TDRE	1	R/(W)*	<p>Transmit Data Register Empty</p> <p>Indicates whether TDR contains transmit data.</p> <p>[Setting conditions]</p> <ul style="list-style-type: none"> <li>• When the TE bit in SCR is 0</li> <li>• When data is transferred from TDR to TSR</li> </ul> <p>[Clearing conditions]</p> <ul style="list-style-type: none"> <li>• When 0 is written to TDRE after reading TDRE = 1 (When the CPU is used to clear this flag by writing 0 while the corresponding interrupt is enabled, be sure to read the flag after writing 0 to it.)</li> <li>• When a TXI interrupt request is issued allowing DMAC or DTC to write data to TDR</li> </ul>
6	RDRF	0	R/(W)*	<p>Receive Data Register Full</p> <p>Indicates whether receive data is stored in RDR.</p> <p>[Setting condition]</p> <ul style="list-style-type: none"> <li>• When serial reception ends normally and receive data is transferred from RSR to RDR</li> </ul> <p>[Clearing conditions]</p> <ul style="list-style-type: none"> <li>• When 0 is written to RDRF after reading RDRF = 1 (When the CPU is used to clear this flag by writing 0 while the corresponding interrupt is enabled, be sure to read the flag after writing 0 to it.)</li> <li>• When an RXI interrupt request is issued allowing DMAC or DTC to read data from RDR</li> </ul> <p>The RDRF flag is not affected and retains its previous value when the RE bit in SCR is cleared to 0.</p> <p>Note that when the next serial reception is completed while the RDRF flag is being set to 1, an overrun error occurs and the received data is lost.</p>

Bit	Bit Name	Initial Value	R/W	Description
5	ORER	0	R/(W)*	<p>Overrun Error</p> <p>Indicates that an overrun error has occurred during reception and the reception ends abnormally.</p> <p>[Setting condition]</p> <ul style="list-style-type: none"> <li>When the next serial reception is completed while RDRF = 1</li> </ul> <p>In RDR, receive data prior to an overrun error occurrence is retained, but data received after the overrun error occurrence is lost. When the ORER flag is set to 1, subsequent serial reception cannot be performed. Note that, in clocked synchronous mode, serial transmission also cannot continue.</p> <p>[Clearing condition]</p> <ul style="list-style-type: none"> <li>When 0 is written to ORER after reading ORER = 1</li> </ul> <p>Even when the RE bit in SCR is cleared, the ORER flag is not affected and retains its previous value.</p> <p>(When the CPU is used to clear this flag by writing 0 while the corresponding interrupt is enabled, be sure to read the flag after writing 0 to it.)</p>
4	FER	0	R/(W)*	<p>Framing Error</p> <p>Indicates that a framing error has occurred during reception in asynchronous mode and the reception ends abnormally.</p> <p>[Setting condition]</p> <ul style="list-style-type: none"> <li>When the stop bit is 0</li> </ul> <p>In 2-stop-bit mode, only the first stop bit is checked whether it is 1 but the second stop bit is not checked. Note that receive data when the framing error occurs is transferred to RDR, however, the RDRF flag is not set. In addition, when the FER flag is being set to 1, the subsequent serial reception cannot be performed. In clocked synchronous mode, serial transmission also cannot continue.</p> <p>[Clearing condition]</p> <ul style="list-style-type: none"> <li>When 0 is written to FER after reading FER = 1</li> </ul> <p>Even when the RE bit in SCR is cleared, the FER flag is not affected and retains its previous value.</p> <p>(When the CPU is used to clear this flag by writing 0 while the corresponding interrupt is enabled, be sure to read the flag after writing 0 to it.)</p>

Bit	Bit Name	Initial Value	R/W	Description
3	PER	0	R/(W)*	<p>Parity Error</p> <p>Indicates that a parity error has occurred during reception in asynchronous mode and the reception ends abnormally.</p> <p>[Setting condition]</p> <ul style="list-style-type: none"> <li>When a parity error is detected during reception Receive data when the parity error occurs is transferred to RDR, however, the RDRF flag is not set. Note that when the PER flag is being set to 1, the subsequent serial reception cannot be performed. In clocked synchronous mode, serial transmission also cannot continue.</li> </ul> <p>[Clearing condition]</p> <ul style="list-style-type: none"> <li>When 0 is written to PER after reading PER = 1 Even when the RE bit in SCR is cleared, the PER bit is not affected and retains its previous value. (When the CPU is used to clear this flag by writing 0 while the corresponding interrupt is enabled, be sure to read the flag after writing 0 to it.)</li> </ul>
2	TEND	1	R	<p>Transmit End</p> <p>[Setting conditions]</p> <ul style="list-style-type: none"> <li>When the TE bit in SCR is 0</li> <li>When TDRE = 1 at transmission of the last bit of a transmit character</li> </ul> <p>[Clearing conditions]</p> <ul style="list-style-type: none"> <li>When 0 is written to TDRE after reading TDRE = 1</li> <li>When a TXI interrupt request is issued allowing DMAC or DTC to write data to TDR</li> </ul>
1	MPB	0	R	<p>Multiprocessor Bit</p> <p>Stores the multiprocessor bit value in the receive frame. When the RE bit in SCR is cleared to 0 its previous state is retained.</p>
0	MPBT	0	R/W	<p>Multiprocessor Bit Transfer</p> <p>Sets the multiprocessor bit value to be added to the transmit frame.</p>

Note: \* Only 0 can be written, to clear the flag.

**Bit Functions in Smart Card Interface Mode (When SMIF in SCMR = 1):**

Bit	Bit Name	Initial Value	R/W	Description
7	TDRE	1	R/(W)*	<p>Transmit Data Register Empty</p> <p>Indicates whether TDR contains transmit data.</p> <p>[Setting conditions]</p> <ul style="list-style-type: none"> <li>• When the TE bit in SCR is 0</li> <li>• When data is transferred from TDR to TSR</li> </ul> <p>[Clearing conditions]</p> <ul style="list-style-type: none"> <li>• When 0 is written to TDRE after reading TDRE = 1 (When the CPU is used to clear this flag by writing 0 while the corresponding interrupt is enabled, be sure to read the flag after writing 0 to it.)</li> <li>• When a TXI interrupt request is issued allowing DMAC or DTC to write data to TDR</li> </ul>
6	RDRF	0	R/(W)*	<p>Receive Data Register Full</p> <p>Indicates whether receive data is stored in RDR.</p> <p>[Setting condition]</p> <ul style="list-style-type: none"> <li>• When serial reception ends normally and receive data is transferred from RSR to RDR</li> </ul> <p>[Clearing conditions]</p> <ul style="list-style-type: none"> <li>• When 0 is written to RDRF after reading RDRF = 1 (When the CPU is used to clear this flag by writing 0 while the corresponding interrupt is enabled, be sure to read the flag after writing 0 to it.)</li> <li>• When an RXI interrupt request is issued allowing DMAC or DTC to read data from RDR</li> </ul> <p>The RDRF flag is not affected and retains its previous value even when the RE bit in SCR is cleared to 0.</p> <p>Note that when the next reception is completed while the RDRF flag is being set to 1, an overrun error occurs and the received data is lost.</p>

Bit	Bit Name	Initial Value	R/W	Description
5	ORER	0	R/(W)*	<p>Overrun Error</p> <p>Indicates that an overrun error has occurred during reception and the reception ends abnormally.</p> <p>[Setting condition]</p> <ul style="list-style-type: none"> <li>When the next serial reception is completed while RDRF = 1</li> </ul> <p>In RDR, the receive data prior to an overrun error occurrence is retained, but data received following the overrun error occurrence is lost. When the ORER flag is set to 1, subsequent serial reception cannot be performed. Note that, in clocked synchronous mode, serial transmission also cannot continue.</p> <p>[Clearing condition]</p> <ul style="list-style-type: none"> <li>When 0 is written to ORER after reading ORER = 1</li> </ul> <p>Even when the RE bit in SCR is cleared, the ORER flag is not affected and retains its previous value.</p> <p>(When the CPU is used to clear this flag by writing 0 while the corresponding interrupt is enabled, be sure to read the flag after writing 0 to it.)</p>
4	ERS	0	R/(W)*	<p>Error Signal Status</p> <p>[Setting condition]</p> <ul style="list-style-type: none"> <li>When a low error signal is sampled</li> </ul> <p>[Clearing condition]</p> <ul style="list-style-type: none"> <li>When 0 is written to ERS after reading ERS = 1</li> </ul>



---

Bit	Bit Name	Initial Value	R/W	Description
3	PER	0	R/(W)*	<p>Parity Error</p> <p>Indicates that a parity error has occurred during reception in asynchronous mode and the reception ends abnormally.</p> <p>[Setting condition]</p> <ul style="list-style-type: none"><li>When a parity error is detected during reception Receive data when the parity error occurs is transferred to RDR, however, the RDRF flag is not set. Note that when the PER flag is being set to 1, the subsequent serial reception cannot be performed. In clocked synchronous mode, serial transmission also cannot continue.</li></ul> <p>[Clearing condition]</p> <ul style="list-style-type: none"><li>When 0 is written to PER after reading PER = 1 Even when the RE bit in SCR is cleared, the PER flag is not affected and retains its previous value. (When the CPU is used to clear this flag by writing 0 while the corresponding interrupt is enabled, be sure to read the flag after writing 0 to it.)</li></ul>

---

Bit	Bit Name	Initial Value	R/W	Description
2	TEND	1	R	<p>Transmit End</p> <p>This bit is set to 1 when no error signal is sent from the receiving side and the next transmit data is ready to be transferred to TDR.</p> <p>[Setting conditions]</p> <ul style="list-style-type: none"> <li>• When both the TE and ERS bits in SCR are 0</li> <li>• When ERS = 0 and TDRE = 1 after a specified time passed after completion of 1-byte data transfer. The set timing depends on the register setting as follows: <ul style="list-style-type: none"> <li>When GM = 0 and BLK = 0, 2.5 etu after transmission start</li> <li>When GM = 0 and BLK = 1, 1.5 etu after transmission start</li> <li>When GM = 1 and BLK = 0, 1.0 etu after transmission start</li> <li>When GM = 1 and BLK = 1, 1.0 etu after transmission start</li> </ul> </li> </ul> <p>[Clearing conditions]</p> <ul style="list-style-type: none"> <li>• When 0 is written to TDRE after reading TDRE = 1</li> <li>• When a TXI interrupt request is issued allowing DMAC or DTC to write the next data to TDR</li> </ul>
1	MPB	0	R	<p>Multiprocessor Bit</p> <p>Not used in smart card interface mode.</p>
0	MPBT	0	R/W	<p>Multiprocessor Bit Transfer</p> <p>Write 0 to this bit in smart card interface mode.</p>

Note: \* Only 0 can be written, to clear the flag.

### 14.3.8 Smart Card Mode Register (SCMR)

SCMR selects smart card interface mode and its format.

Bit	7	6	5	4	3	2	1	0
Bit Name	—	—	—	—	SDIR	SINV	—	SMIF
Initial Value	1	1	1	1	0	0	1	0
R/W	R	R	R	R	R/W	R/W	R	R/W

Bit	Bit Name	Initial Value	R/W	Description
7 to 4	—	All 1	R	Reserved These are read-only bits and cannot be modified.
3	SDIR	0	R/W	Smart Card Data Transfer Direction Selects the serial/parallel conversion format. 0: Transfer with LSB-first 1: Transfer with MSB-first This bit is valid only when the 8-bit data format is used for transmission/reception; when the 7-bit data format is used, data is always transmitted/received with LSB-first.
2	SINV	0	R/W	Smart Card Data Invert Inverts the transmit/receive data logic level. This bit does not affect the logic level of the parity bit. To invert the parity bit, invert the $O/\bar{E}$ bit in SMR. 0: TDR contents are transmitted as they are. Receive data is stored as it is in RDR. 1: TDR contents are inverted before being transmitted. Receive data is stored in inverted form in RDR.
1	—	1	R	Reserved This is a read-only bit and cannot be modified.
0	SMIF	0	R/W	Smart Card Interface Mode Select When this bit is set to 1, smart card interface mode is selected. 0: Normal asynchronous or clocked synchronous mode 1: Smart card interface mode

### 14.3.9 Bit Rate Register (BRR)

BRR is an 8-bit register that adjusts the bit rate. As the SCI performs baud rate generator control independently for each channel, different bit rates can be set for each channel. Table 14.2 shows the relationships between the N setting in BRR and bit rate B for normal asynchronous mode and clocked synchronous mode, and smart card interface mode. The initial value of BRR is H'FF, and it can be read from or written to by the CPU at all times.

**Table 14.2 Relationships between N Setting in BRR and Bit Rate B**

Mode	Bit Rate	Error
Asynchronous mode	$N = \frac{P\phi \times 10^6}{64 \times 2^{2n-1} \times B} - 1$	$\text{Error (\%)} = \left\{ \frac{P\phi \times 10^6}{B \times 64 \times 2^{2n-1} \times (N+1)} - 1 \right\} \times 100$
Clocked synchronous mode	$N = \frac{P\phi \times 10^6}{8 \times 2^{2n-1} \times B} - 1$	
Smart card interface mode	$N = \frac{P\phi \times 10^6}{S \times 2^{2n+1} \times B} - 1$	$\text{Error (\%)} = \left\{ \frac{P\phi \times 10^6}{B \times S \times 2^{2n+1} \times (N+1)} - 1 \right\} \times 100$

[Legend]

B: Bit rate (bit/s)

N: BRR setting for baud rate generator ( $0 \leq N \leq 255$ )

Pφ: Operating frequency (MHz)

n and S: Determined by the SMR settings shown in the following table.

SMR Setting			SMR Setting		
CKS1	CKS0	n	BCP1	BCP0	S
0	0	0	0	0	32
0	1	1	0	1	64
1	0	2	1	0	372
1	1	3	1	1	256

Table 14.3 shows sample N settings in BRR in normal asynchronous mode. Table 14.4 shows the maximum bit rate settable for each operating frequency. Tables 14.6 and 14.8 show sample N settings in BRR in clocked synchronous mode and smart card interface mode, respectively. In smart card interface mode, the number of basic clock cycles S in a 1-bit data transfer time can be selected. For details, see section 14.7.4, Receive Data Sampling Timing and Reception Margin. Tables 14.5 and 14.7 show the maximum bit rates with external clock input.

**Table 14.3 Examples of BRR Settings for Various Bit Rates (Asynchronous Mode) (1)**

Bit Rate (bit/s)	Operating Frequency P $\phi$ (MHz)											
	8			9.8304			10			12		
	n	N	Error (%)	n	N	Error (%)	n	N	Error (%)	n	N	Error (%)
110	2	141	0.03	2	174	-0.26	2	177	-0.25	2	212	0.03
150	2	103	0.16	2	127	0.00	2	129	0.16	2	155	0.16
300	1	207	0.16	1	255	0.00	2	64	0.16	2	77	0.16
600	1	103	0.16	1	127	0.00	1	129	0.16	1	155	0.16
1200	0	207	0.16	0	255	0.00	1	64	0.16	1	77	0.16
2400	0	103	0.16	0	127	0.00	0	129	0.16	0	155	0.16
4800	0	51	0.16	0	63	0.00	0	64	0.16	0	77	0.16
9600	0	25	0.16	0	31	0.00	0	32	-1.36	0	38	0.16
19200	0	12	0.16	0	15	0.00	0	15	1.73	0	19	-2.34
31250	0	7	0.00	0	9	-1.70	0	9	0.00	0	11	0.00
38400	—	—	—	0	7	0.00	0	7	1.73	0	9	-2.34

Bit Rate (bit/s)	Operating Frequency P $\phi$ (MHz)											
	12.288			14			14.7456			16		
	n	N	Error (%)	n	N	Error (%)	n	N	Error (%)	n	N	Error (%)
110	2	217	0.08	2	248	-0.17	3	64	0.70	3	70	0.03
150	2	159	0.00	2	181	0.16	2	191	0.00	2	207	0.16
300	2	79	0.00	2	90	0.16	2	95	0.00	2	103	0.16
600	1	159	0.00	1	181	0.16	1	191	0.00	1	207	0.16
1200	1	79	0.00	1	90	0.16	1	95	0.00	1	103	0.16
2400	0	159	0.00	0	181	0.16	0	191	0.00	0	207	0.16
4800	0	79	0.00	0	90	0.16	0	95	0.00	0	103	0.16
9600	0	39	0.00	0	45	-0.93	0	47	0.00	0	51	0.16
19200	0	19	0.00	0	22	-0.93	0	23	0.00	0	25	0.16
31250	0	11	2.40	0	13	0.00	0	14	-1.70	0	15	0.00
38400	0	9	0.00	—	—	—	0	11	0.00	0	12	0.16

**Table 14.3 Examples of BRR Settings for Various Bit Rates (Asynchronous Mode) (2)**

Operating Frequency P $\phi$ (MHz)												
Operating Frequency P $\phi$ (MHz)												
Operating Frequency P $\phi$ (MHz)												
Operating Frequency P $\phi$ (MHz)												
Bit Rate (bit/s)	17.2032			18			19.6608			20		
	n	N	Error (%)	n	N	Error (%)	n	N	Error (%)	n	N	Error (%)
110	3	75	0.48	3	79	-0.12	3	86	0.31	3	88	-0.25
150	2	223	0.00	2	233	0.16	2	255	0.00	3	64	0.16
300	2	111	0.00	2	116	0.16	2	127	0.00	2	129	0.16
600	1	223	0.00	1	233	0.16	1	255	0.00	2	64	0.16
1200	1	111	0.00	1	116	0.16	1	127	0.00	1	129	0.16
2400	0	223	0.00	0	233	0.16	0	255	0.00	1	64	0.16
4800	0	111	0.00	0	116	0.16	0	127	0.00	0	129	0.16
9600	0	55	0.00	0	58	-0.69	0	63	0.00	0	64	0.16
19200	0	27	0.00	0	28	1.02	0	31	0.00	0	32	-1.36
31250	0	16	1.20	0	17	0.00	0	19	-1.70	0	19	0.00
38400	0	13	0.00	0	14	-2.34	0	15	0.00	0	15	1.73

Operating Frequency P $\phi$ (MHz)												
Operating Frequency P $\phi$ (MHz)												
Operating Frequency P $\phi$ (MHz)												
Operating Frequency P $\phi$ (MHz)												
Bit Rate (bit/s)	25			30			33			35		
	n	N	Error (%)	n	N	Error (%)	n	N	Error (%)	n	N	Error (%)
110	3	110	-0.02	3	132	0.13	3	145	0.33	3	154	0.23
150	3	80	-0.47	3	97	-0.35	3	106	0.39	3	113	-0.06
300	2	162	0.15	2	194	0.16	2	214	-0.07	2	227	0.00
600	2	80	-0.47	2	97	-0.35	2	106	0.39	2	113	0.00
1200	1	162	0.15	1	194	0.16	1	214	-0.07	1	227	0.00
2400	1	80	-0.47	1	97	-0.35	1	106	0.39	1	113	0.00
4800	0	162	0.15	0	194	0.16	0	214	-0.07	0	227	0.00
9600	0	80	-0.47	0	97	-0.35	0	106	0.39	0	113	0.00
19200	0	40	-0.76	0	48	-0.35	0	53	-0.54	0	56	0.00
31250	0	24	0.00	0	29	0	0	32	0	0	34	0.00
38400	0	19	1.73	0	23	1.73	0	26	-0.54	0	28	-1.78

**Table 14.4 Maximum Bit Rate for Each Operating Frequency (Asynchronous Mode)**

<b>P<math>\phi</math> (MHz)</b>	<b>Maximum Bit Rate (bit/s)</b>	<b>n</b>	<b>N</b>
8	250000	0	0
9.8304	307200	0	0
10	312500	0	0
12	375000	0	0
12.288	384000	0	0
14	437500	0	0
14.7456	460800	0	0
16	500000	0	0

**Table 14.5 Maximum Bit Rate with External Clock Input (Asynchronous Mode)**

<b>P<math>\phi</math> (MHz)</b>	<b>External Input Clock (MHz)</b>	<b>Maximum Bit Rate (bit/s)</b>
8	2.0000	125000
9.8304	2.4576	153600
10	2.5000	156250
12	3.0000	187500
12.288	3.0720	192000
14	3.5000	218750
14.7456	3.6864	230400
16	4.0000	250000

**Table 14.6 BRR Settings for Various Bit Rates (Clocked Synchronous Mode)**

Bit Rate (bit/s)	Operating Frequency P $\phi$ (MHz)							
	8		10		16		20	
	n	N	n	N	n	N	n	N
110								
250	3	124	—	—	3	249		
500	2	249	—	—	3	124	—	—
1k	2	124	—	—	2	249	—	—
2.5k	1	199	1	249	2	99	2	124
5k	1	99	1	124	1	199	1	249
10k	0	199	0	249	1	99	1	124
25k	0	79	0	99	0	159	0	199
50k	0	39	0	49	0	79	0	99
100k	0	19	0	24	0	39	0	49
250k	0	7	0	9	0	15	0	19
500k	0	3	0	4	0	7	0	9
1M	0	1			0	3	0	4
2.5M			0	0*			0	1
5M							0	0*



Bit Rate (bit/s)	Operating Frequency P $\phi$ (MHz)							
	25		30		33		35	
	n	N	n	N	n	N	n	N
110								
250								
500			3	233				
1k	3	97	3	116	3	128	3	136
2.5k	2	155	2	187	2	205	2	218
5k	2	77	2	93	2	102	2	108
10k	1	155	1	187	1	205	1	218
25k	0	249	1	74	1	82	1	87
50k	0	124	0	149	0	164	0	174
100k	0	62	0	74	0	82	0	87
250k	0	24	0	29	0	32	0	34
500k	—	—	0	14	—	—	—	—
1M	—	—	—	—	—	—	—	—
2.5M	—	—	0	2	—	—	—	—
5M	—	—	—	—	—	—	—	—

[Legend]

Space: Setting prohibited.

—: Can be set, but there will be error.

\*: Continuous transmission or reception is not possible.

**Table 14.7 Maximum Bit Rate with External Clock Input (Clocked Synchronous Mode)**

P $\phi$ (MHz)	External Input Clock (MHz)	Maximum Bit Rate (bit/s)	P $\phi$ (MHz)	External Input Clock (MHz)	Maximum Bit Rate (bit/s)
8	1.3333	1333333.3	20	3.3333	3333333.3
10	1.6667	1666666.7	25	4.1667	4166666.7
12	2.0000	2000000.0	30	5.0000	5000000.0
14	2.3333	2333333.3	33	5.5000	5500000.0
16	2.6667	2666666.7	35	5.8336	5833625.0
18	3.0000	3000000.0			

**Table 14.8 BRR Settings for Various Bit Rates**  
(Smart Card Interface Mode, n = 0, S = 372)

Bit Rate (bit/s)	Operating Frequency P $\phi$ (MHz)											
	7.1424			10.00			10.7136			13.00		
	n	N	Error (%)	n	N	Error (%)	n	N	Error (%)	n	N	Error (%)
9600	0	0	0.00	0	1	30	0	1	25	0	1	8.99

Bit Rate (bit/s)	Operating Frequency P $\phi$ (MHz)											
	14.2848			16.00			18.00			20.00		
	n	N	Error (%)	n	N	Error (%)	n	N	Error (%)	n	N	Error (%)
9600	0	1	0.00	0	1	12.01	0	2	15.99	0	2	6.60

Bit Rate (bit/s)	Operating Frequency P $\phi$ (MHz)											
	25.00			30.00			33.00			35.00		
	n	N	Error (%)	n	N	Error (%)	n	N	Error (%)	n	N	Error (%)
9600	0	3	12.49	0	3	5.01	0	4	7.59	0	4	1.99

**Table 14.9 Maximum Bit Rate for Each Operating Frequency**  
(Smart Card Interface Mode, S = 372)

P $\phi$ (MHz)	Maximum Bit Rate (bit/s)	n	N	P $\phi$ (MHz)	Maximum Bit Rate (bit/s)	n	N
7.1424	9600	0	0	18.00	24194	0	0
10.00	13441	0	0	20.00	26882	0	0
10.7136	14400	0	0	25.00	33602	0	0
13.00	17473	0	0	30.00	40323	0	0
14.2848	19200	0	0	33.00	44355	0	0
16.00	21505	0	0	35.00	47043	0	0

### 14.3.10 Serial Extended Mode Register (SEMR)

SEMR selects the clock source in asynchronous mode. The basic clock is automatically specified when the average transfer rate operation is selected.

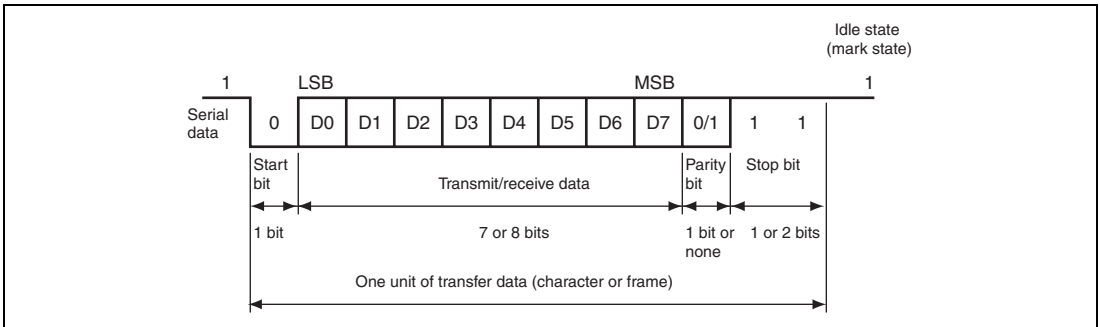
Bit	7	6	5	4	3	2	1	0
Bit Name	—	—	—	—	ABCS	ACS2	ACS1	ACS0
Initial Value	0	0	0	0	0	0	0	0
R/W	R/W	R	R	R	R/W	R/W	R/W	R/W

Bit	Bit Name	Initial Value	R/W	Description
7	—	0	R/W	Reserved This bit is always read as 0. The write value should always be 0.
6 to 4	—	All 0	R	Reserved These are read-only bits and cannot be modified.
3	ABCS	0	R/W	Asynchronous Mode Basic Clock Select (valid only in asynchronous mode) Selects the basic clock for a 1-bit period. 0: The basic clock has a frequency 16 times the transfer rate 1: The basic clock has a frequency 8 times the transfer rate

Bit	Bit Name	Initial Value	R/W	Description
2	ACS2	0	R/W	Asynchronous Mode Clock Source Select (valid when CKE1 = 1 in asynchronous mode)
1	ACS1	0	R/W	
0	ACS0	0	R/W	These bits select the clock source for the average transfer rate function. When the average transfer rate function is enabled, the basic clock is automatically specified regardless of the ABCS bit value. 000: External clock input 001: 115.152 kbps of average transfer rate specific to $P\phi = 10.667$ MHz is selected (operated using the basic clock with a frequency 16 times the transfer rate) 010: 460.606 kbps of average transfer rate specific to $P\phi = 10.667$ MHz is selected (operated using the basic clock with a frequency 8 times the transfer rate) 011: 720 kbps of average transfer rate specific to $P\phi = 32$ MHz is selected (operated using the basic clock with a frequency 16 times the transfer rate) 100: Setting prohibited 101: 115.196 kbps of average transfer rate specific to $P\phi = 16$ MHz is selected (operated using the basic clock with a frequency 16 times the transfer rate) 110: 460.784 kbps of average transfer rate specific to $P\phi = 16$ MHz is selected (operated using the basic clock with a frequency 16 times the transfer rate) 111: 720 kbps of average transfer rate specific to $P\phi = 16$ MHz is selected (operated using the basic clock with a frequency 8 times the transfer rate) The average transfer rate only supports operating frequencies of 10.667 MHz, 16 MHz, and 32 MHz.

## 14.4 Operation in Asynchronous Mode

Figure 14.2 shows the general format for asynchronous serial communication. One frame consists of a start bit (low level), followed by transmit/receive data, a parity bit, and finally stop bits (high level). In asynchronous serial communication, the communication line is usually held in the mark state (high level). The SCI monitors the communication line, and when it goes to the space state (low level), recognizes a start bit and starts serial communication. Inside the SCI, the transmitter and receiver are independent units, enabling full-duplex communication. Both the transmitter and the receiver also have a double-buffered structure, so that data can be read or written during transmission or reception, enabling continuous data transmission and reception.



**Figure 14.2 Data Format in Asynchronous Communication  
(Example with 8-Bit Data, Parity, Two Stop Bits)**

### 14.4.1 Data Transfer Format

Table 14.10 shows the data transfer formats that can be used in asynchronous mode. Any of 12 transfer formats can be selected according to the SMR setting. For details on the multiprocessor bit, see section 14.5, Multiprocessor Communication Function.

**Table 14.10 Serial Transfer Formats (Asynchronous Mode)**

SMR Settings				Serial Transmit/Receive Format and Frame Length													
CHR	PE	MP	STOP	1	2	3	4	5	6	7	8	9	10	11	12		
0	0	0	0	S	8-bit data								STOP				
0	0	0	1	S	8-bit data								STOP	STOP			
0	1	0	0	S	8-bit data								P	STOP			
0	1	0	1	S	8-bit data								P	STOP	STOP		
1	0	0	0	S	7-bit data							STOP					
1	0	0	1	S	7-bit data							STOP	STOP				
1	1	0	0	S	7-bit data							P	STOP				
1	1	0	1	S	7-bit data							P	STOP	STOP			
0	—	1	0	S	8-bit data								MPB	STOP			
0	—	1	1	S	8-bit data								MPB	STOP	STOP		
1	—	1	0	S	7-bit data							MPB	STOP				
1	—	1	1	S	7-bit data							MPB	STOP	STOP			

[Legend]

S: Start bit

STOP: Stop bit

P: Parity bit

MPB: Multiprocessor bit

### 14.4.2 Receive Data Sampling Timing and Reception Margin in Asynchronous Mode

In asynchronous mode, the SCI operates on a basic clock with a frequency of 16 times the bit rate. In reception, the SCI samples the falling edge of the start bit using the basic clock, and performs internal synchronization. Since receive data is sampled at the rising edge of the 8th pulse of the basic clock, data is latched at the middle of each bit, as shown in figure 14.3. Thus the reception margin in asynchronous mode is determined by formula (1) below.

$$M = \left| \left( 0.5 - \frac{1}{2N} \right) - (L - 0.5) F - \frac{|D - 0.5|}{N} (1 + F) \right| \times 100 \quad [\%] \quad \dots \quad \text{Formula (1)}$$

M: Reception margin

N: Ratio of bit rate to clock ( $N = 16$ )

D: Duty cycle of clock ( $D = 0.5$  to  $1.0$ )

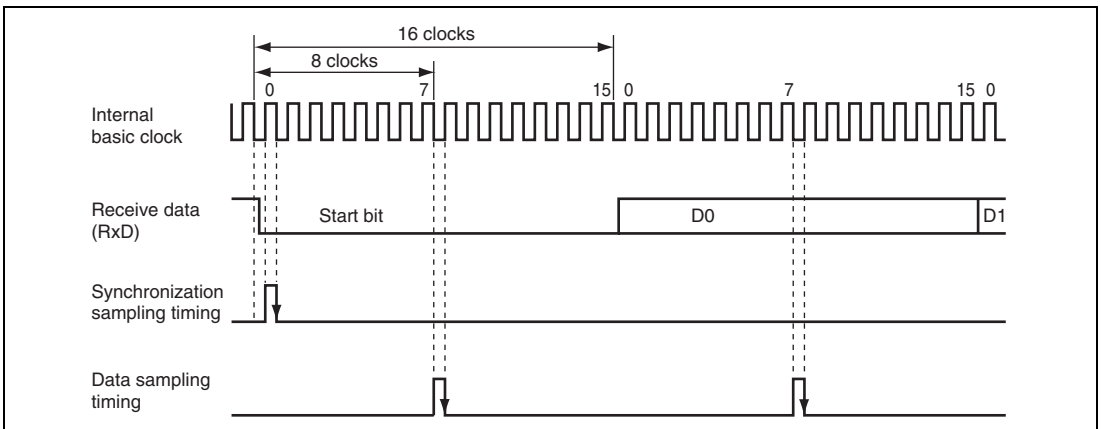
L: Frame length ( $L = 9$  to  $12$ )

F: Absolute value of clock frequency deviation

Assuming values of  $F = 0$  and  $D = 0.5$  in formula (1), the reception margin is determined by the formula below.

$$M = \left( 0.5 - \frac{1}{2 \times 16} \right) \times 100 [\%] = 46.875\%$$

However, this is only the computed value, and a margin of 20% to 30% should be allowed in system design.

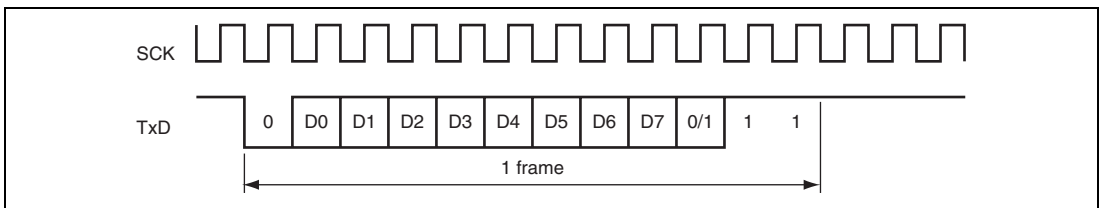


**Figure 14.3 Receive Data Sampling Timing in Asynchronous Mode**

### 14.4.3 Clock

Either an internal clock generated by the on-chip baud rate generator or an external clock input to the SCK pin can be selected as the SCI's transfer clock, according to the setting of the  $C/\bar{A}$  bit in SMR and the CKE1 and CKE0 bits in SCR. When an external clock is input to the SCK pin, the clock frequency should be 16 times the bit rate used.

When the SCI is operated on an internal clock, the clock can be output from the SCK pin. The frequency of the clock output in this case is equal to the bit rate, and the phase is such that the rising edge of the clock is in the middle of the transmit data, as shown in figure 14.4.

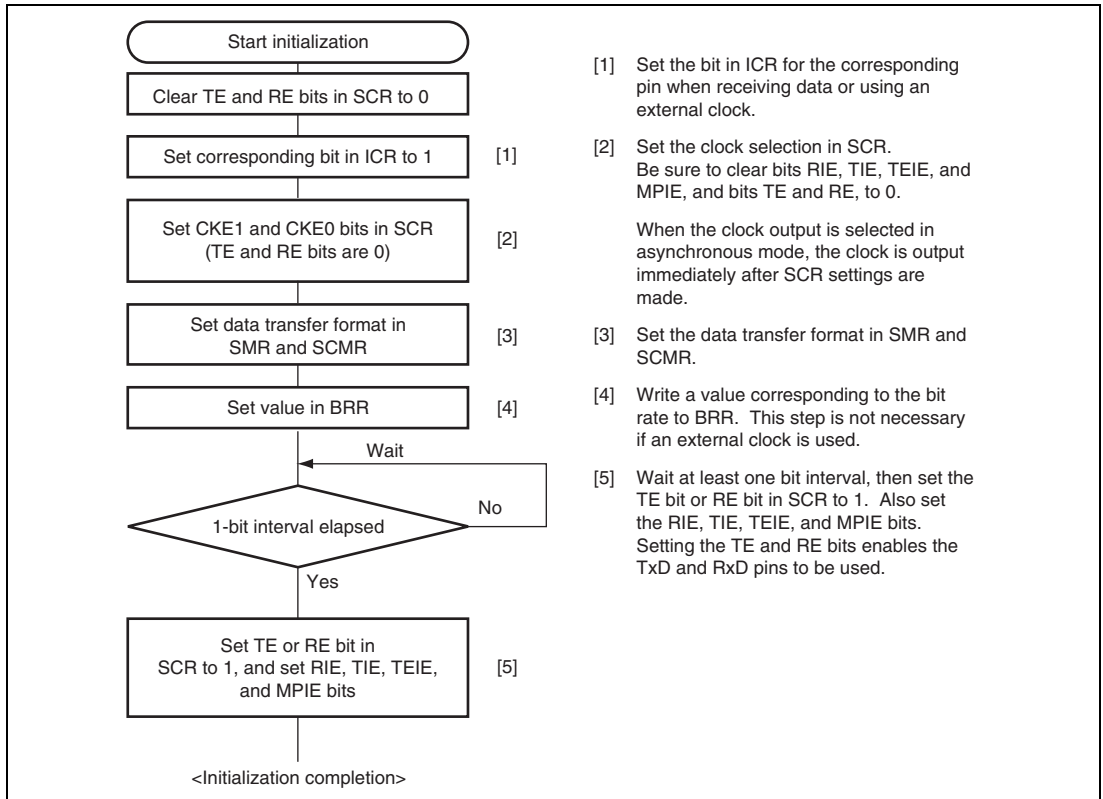


**Figure 14.4 Phase Relation between Output Clock and Transmit Data (Asynchronous Mode)**



### 14.4.4 SCI Initialization (Asynchronous Mode)

Before transmitting and receiving data, first clear the TE and RE bits in SCR to 0, then initialize the SCI as described in a sample flowchart in figure 14.5. When the operating mode, transfer format, etc., is changed, the TE and RE bits must be cleared to 0 before making the change. When the TE bit is cleared to 0, the TDRE flag is set to 1. Note that clearing the RE bit to 0 does not initialize the RDRF, PER, FER, and ORER flags, or RDR. When the external clock is used in asynchronous mode, the clock must be supplied even during initialization.



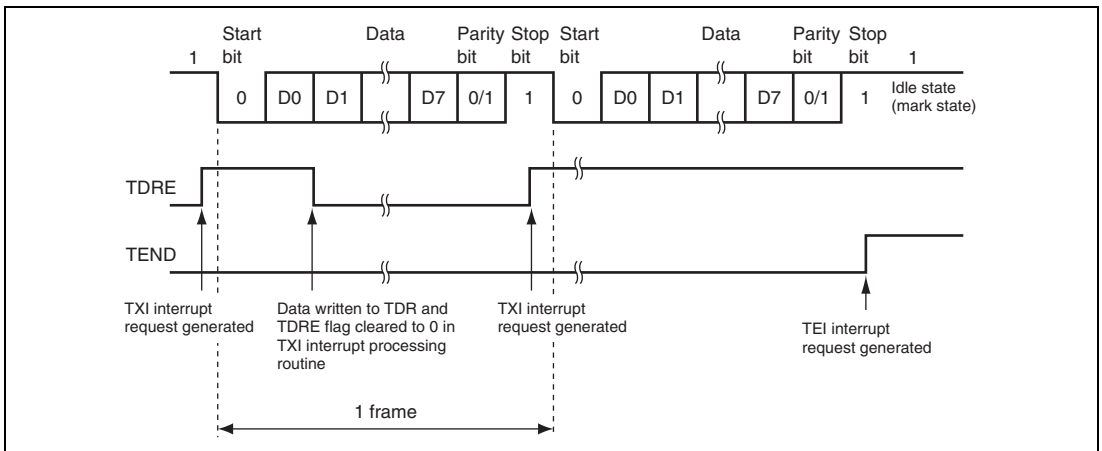
**Figure 14.5 Sample SCI Initialization Flowchart**

### 14.4.5 Serial Data Transmission (Asynchronous Mode)

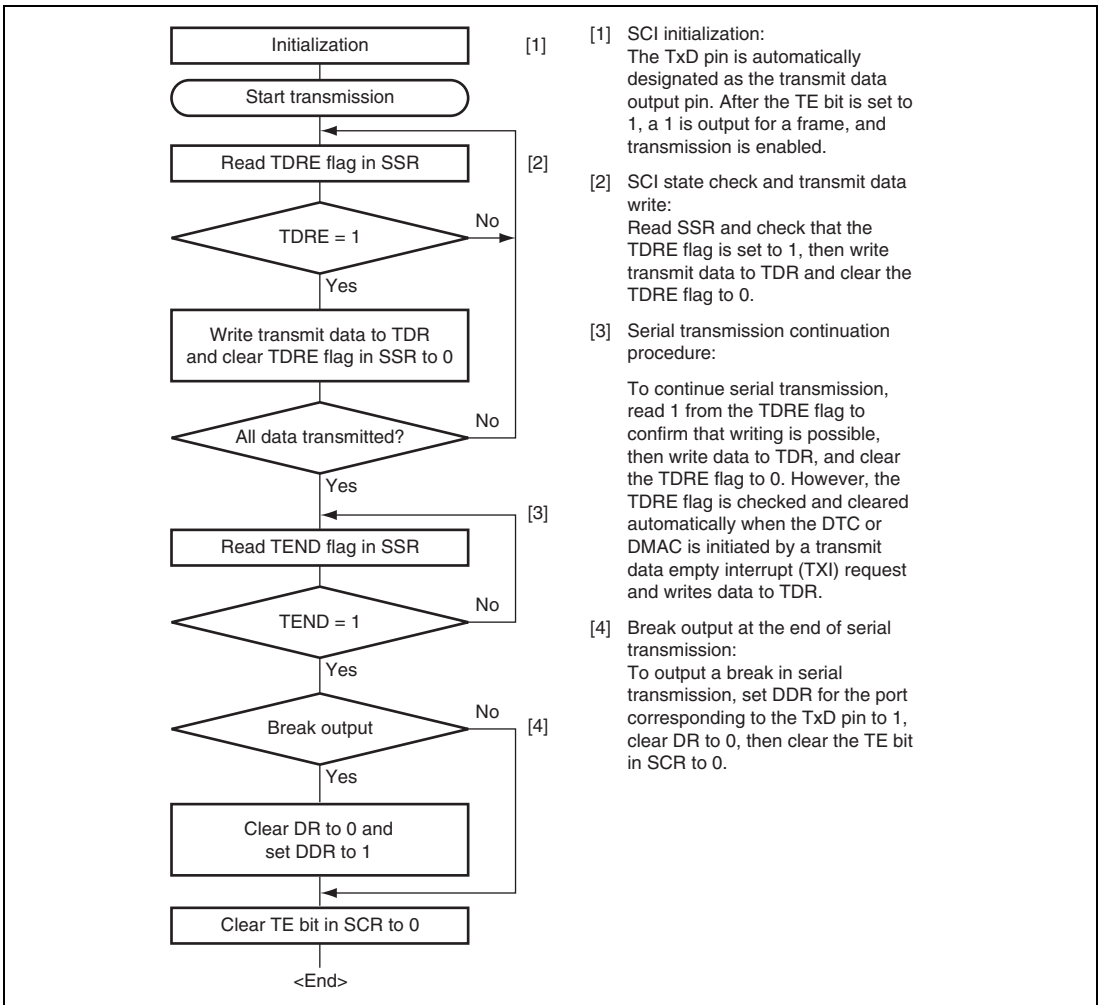
Figure 14.6 shows an example of the operation for transmission in asynchronous mode. In transmission, the SCI operates as described below.

1. The SCI monitors the TDRE flag in SSR, and if it is cleared to 0, recognizes that data has been written to TDR, and transfers the data from TDR to TSR.
2. After transferring data from TDR to TSR, the SCI sets the TDRE flag to 1 and starts transmission. If the TXIE bit in SCR is set to 1 at this time, a TXI interrupt request is generated. Because the TXI interrupt processing routine writes the next transmit data to TDR before transmission of the current transmit data has finished, continuous transmission can be enabled.
3. Data is sent from the TxD pin in the following order: start bit, transmit data, parity bit or multiprocessor bit (may be omitted depending on the format), and stop bit.
4. The SCI checks the TDRE flag at the timing for sending the stop bit.
5. If the TDRE flag is 0, the next transmit data is transferred from TDR to TSR, the stop bit is sent, and then serial transmission of the next frame is started.
6. If the TDRE flag is 1, the TEND flag in SSR is set to 1, the stop bit is sent, and then the mark state is entered in which 1 is output. If the TEIE bit in SCR is set to 1 at this time, a TEI interrupt request is generated.

Figure 14.7 shows a sample flowchart for transmission in asynchronous mode.



**Figure 14.6 Example of Operation for Transmission in Asynchronous Mode  
(Example with 8-Bit Data, Parity, One Stop Bit)**

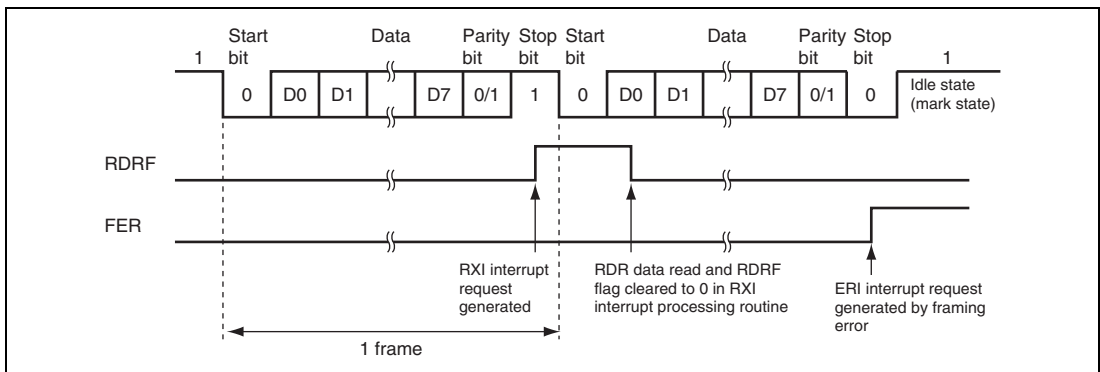


**Figure 14.7 Sample Serial Transmission Flowchart**

### 14.4.6 Serial Data Reception (Asynchronous Mode)

Figure 14.8 shows an example of the operation for reception in asynchronous mode. In serial reception, the SCI operates as described below.

1. The SCI monitors the communication line, and if a start bit is detected, performs internal synchronization, stores receive data in RSR, and checks the parity bit and stop bit.
2. If an overrun error (when reception of the next data is completed while the RDRF flag in SSR is still set to 1) occurs, the ORER bit in SSR is set to 1. If the RIE bit in SCR is set to 1 at this time, an ERI interrupt request is generated. Receive data is not transferred to RDR. The RDRF flag remains to be set to 1.
3. If a parity error is detected, the PER bit in SSR is set to 1 and receive data is transferred to RDR. If the RIE bit in SCR is set to 1 at this time, an ERI interrupt request is generated.
4. If a framing error (when the stop bit is 0) is detected, the FER bit in SSR is set to 1 and receive data is transferred to RDR. If the RIE bit in SCR is set to 1 at this time, an ERI interrupt request is generated.
5. If reception finishes successfully, the RDRF bit in SSR is set to 1, and receive data is transferred to RDR. If the RIE bit in SCR is set to 1 at this time, an RXI interrupt request is generated. Because the RXI interrupt processing routine reads the receive data transferred to RDR before reception of the next receive data has finished, continuous reception can be enabled.



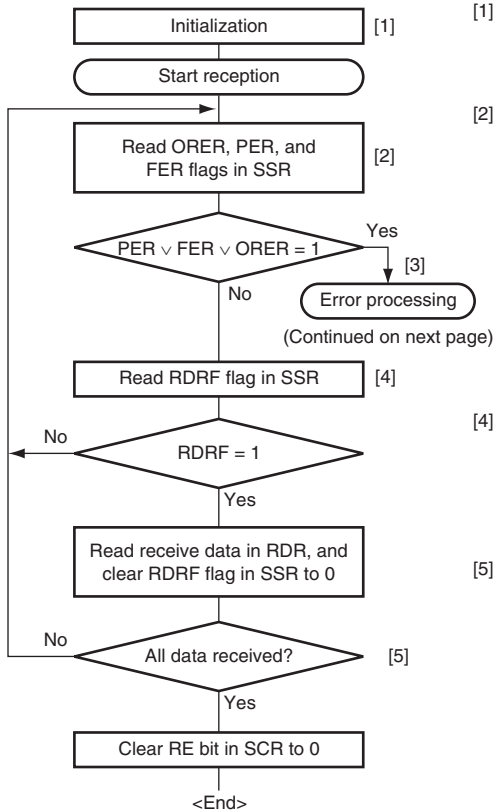
**Figure 14.8 Example of SCI Operation for Reception**  
(Example with 8-Bit Data, Parity, One Stop Bit)

Table 14.11 shows the states of the SSR status flags and receive data handling when a receive error is detected. If a receive error is detected, the RDRF flag retains its state before receiving data. Reception cannot be resumed while a receive error flag is set to 1. Accordingly, clear the ORER, FER, PER, and RDRF bits to 0 before resuming reception. Figure 14.9 shows a sample flowchart for serial data reception.

**Table 14.11 SSR Status Flags and Receive Data Handling**

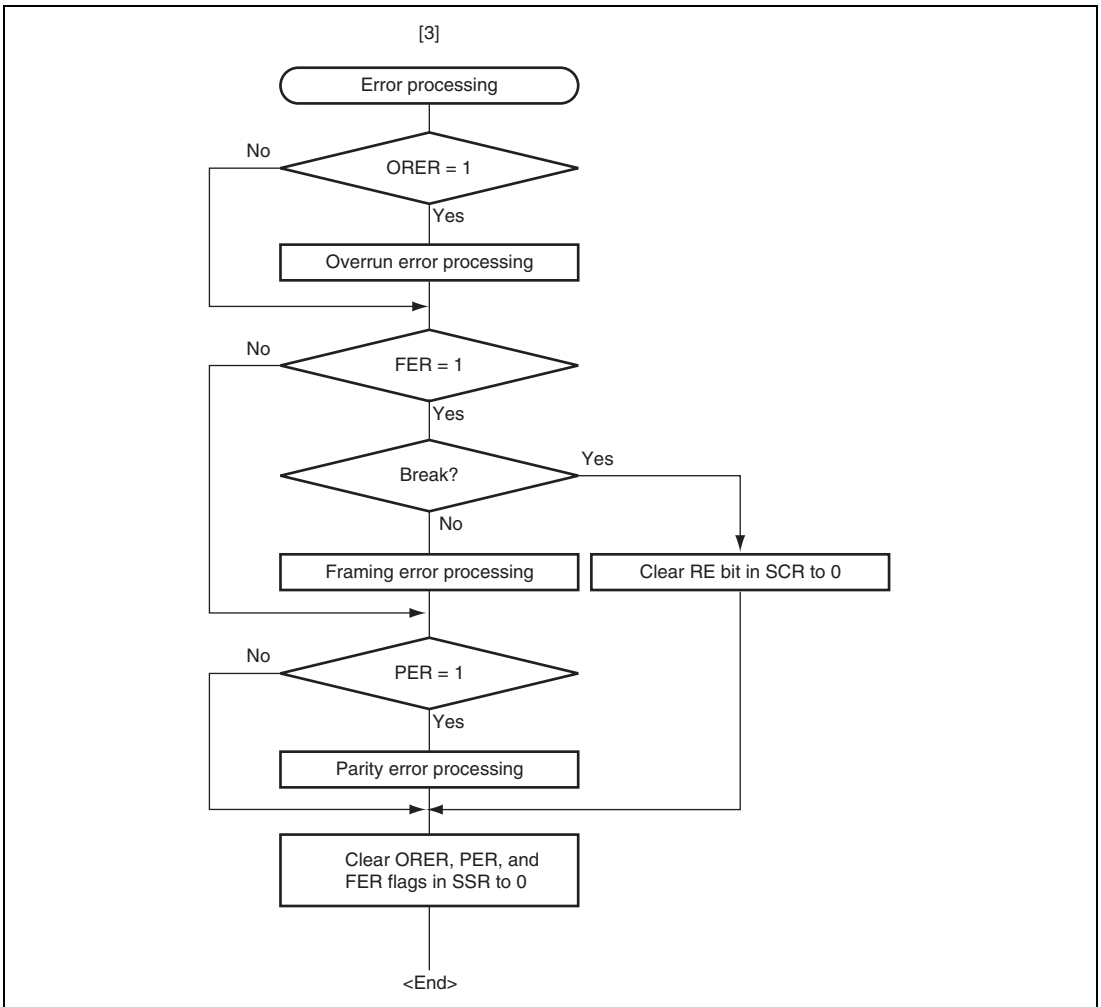
SSR Status Flag				Receive Data	Receive Error Type
RDRF*	ORER	FER	PER		
1	1	0	0	Lost	Overrun error
0	0	1	0	Transferred to RDR	Framing error
0	0	0	1	Transferred to RDR	Parity error
1	1	1	0	Lost	Overrun error + framing error
1	1	0	1	Lost	Overrun error + parity error
0	0	1	1	Transferred to RDR	Framing error + parity error
1	1	1	1	Lost	Overrun error + framing error + parity error

Note: \* The RDRF flag retains the state it had before data reception.



- [1] SCI initialization:  
The RxD pin is automatically designated as the receive data input pin.
- [2] [3] Receive error processing and break detection:  
If a receive error occurs, read the ORER, PER, and FER flags in SSR to identify the error. After performing the appropriate error processing, ensure that the ORER, PER, and FER flags are all cleared to 0. Reception cannot be resumed if any of these flags are set to 1. In the case of a framing error, a break can be detected by reading the value of the input port corresponding to the RxD pin.
- [4] SCI state check and receive data read:  
Read SSR and check that RDRF = 1, then read the receive data in RDR and clear the RDRF flag to 0. Transition of the RDRF flag from 0 to 1 can also be identified by an RXI interrupt.
- [5] Serial reception continuation procedure:  
To continue serial reception, before the stop bit for the current frame is received, read the RDRF flag and RDR, and clear the RDRF flag to 0. However, the RDRF flag is cleared automatically when the DTC or DMAC is initiated by an RXI interrupt and reads data from RDR.

**Figure 14.9 Sample Serial Reception Flowchart (1)**



**Figure 14.9 Sample Serial Reception Flowchart (2)**

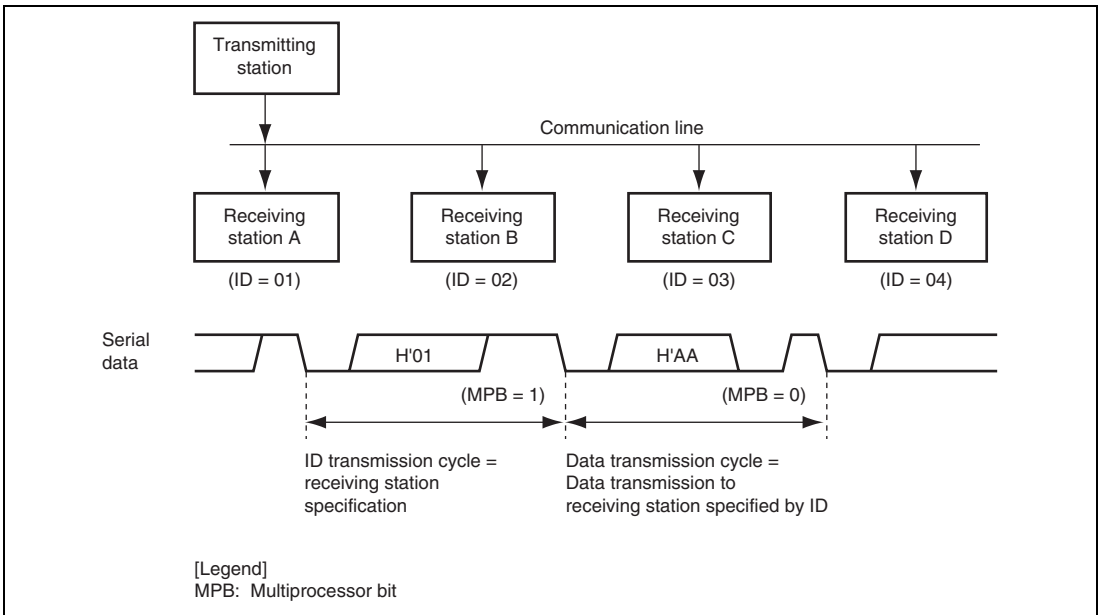
## 14.5 Multiprocessor Communication Function

Use of the multiprocessor communication function enables data transfer to be performed among a number of processors sharing communication lines by means of asynchronous serial communication using the multiprocessor format, in which a multiprocessor bit is added to the transfer data. When multiprocessor communication is carried out, each receiving station is addressed by a unique ID code. The serial communication cycle consists of two component cycles: an ID transmission cycle which specifies the receiving station, and a data transmission cycle for the specified receiving station. The multiprocessor bit is used to differentiate between the ID transmission cycle and the data transmission cycle. If the multiprocessor bit is 1, the cycle is an ID transmission cycle, and if the multiprocessor bit is 0, the cycle is a data transmission cycle. Figure 14.10 shows an example of inter-processor communication using the multiprocessor format. The transmitting station first sends data which includes the ID code of the receiving station and a multiprocessor bit set to 1. It then transmits transmit data added with a multiprocessor bit cleared to 0. The receiving station skips data until data with a 1 multiprocessor bit is sent. When data with a 1 multiprocessor bit is received, the receiving station compares that data with its own ID. The station whose ID matches then receives the data sent next. Stations whose ID does not match continue to skip data until data with a 1 multiprocessor bit is again received.

The SCI uses the MPIE bit in SCR to implement this function. When the MPIE bit is set to 1, transfer of receive data from RSR to RDR, error flag detection, and setting the SSR status flags, RDRF, FER, and ORER in SSR to 1 are prohibited until data with a 1 multiprocessor bit is received. On reception of a receive character with a 1 multiprocessor bit, the MPB bit in SSR is set to 1 and the MPIE bit is automatically cleared, thus normal reception is resumed. If the RIE bit in SCR is set to 1 at this time, an RXI interrupt is generated.

When the multiprocessor format is selected, the parity bit setting is invalid. All other bit settings are the same as those in normal asynchronous mode. The clock used for multiprocessor communication is the same as that in normal asynchronous mode.

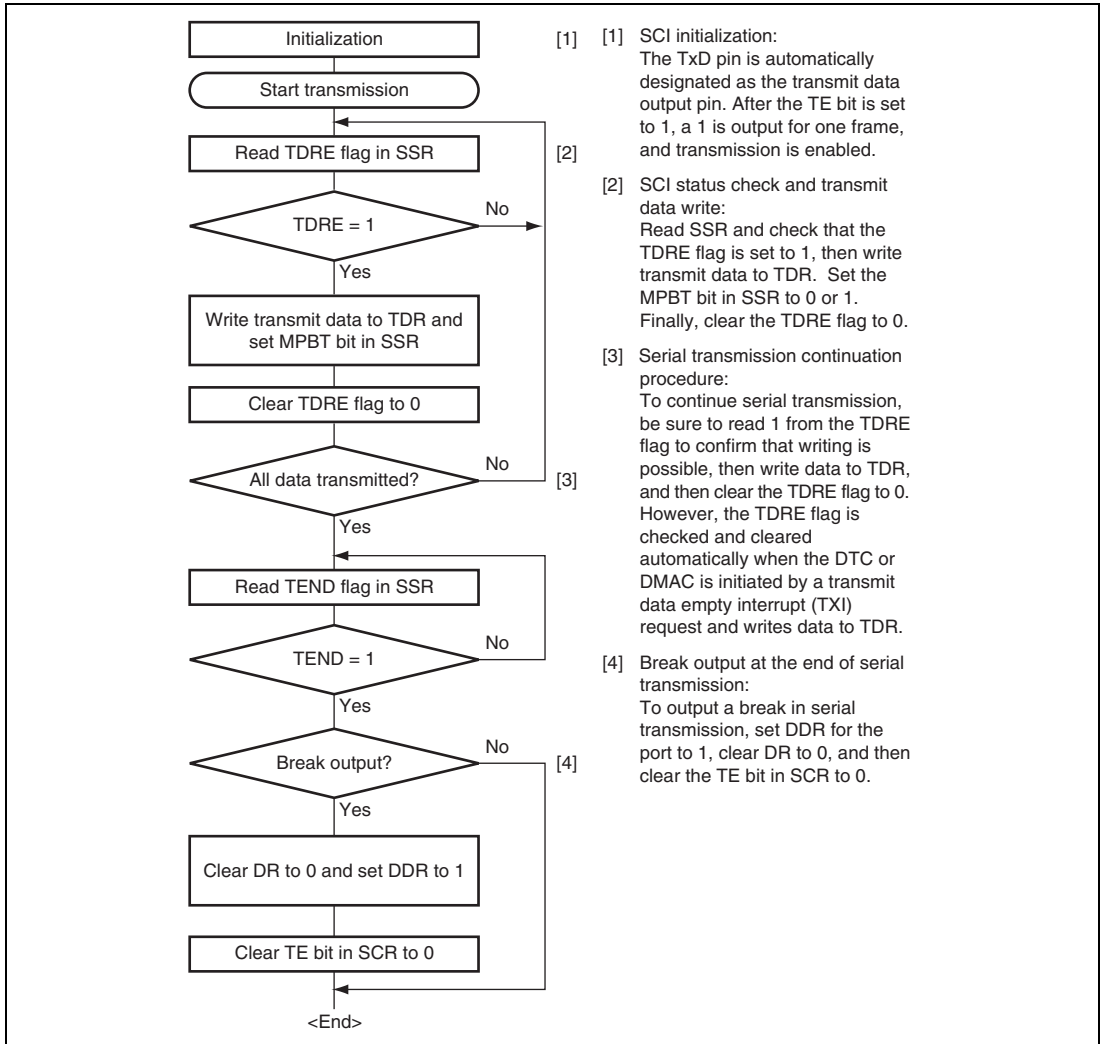




**Figure 14.10 Example of Communication Using Multiprocessor Format  
(Transmission of Data H'AA to Receiving Station A)**

### 14.5.1 Multiprocessor Serial Data Transmission

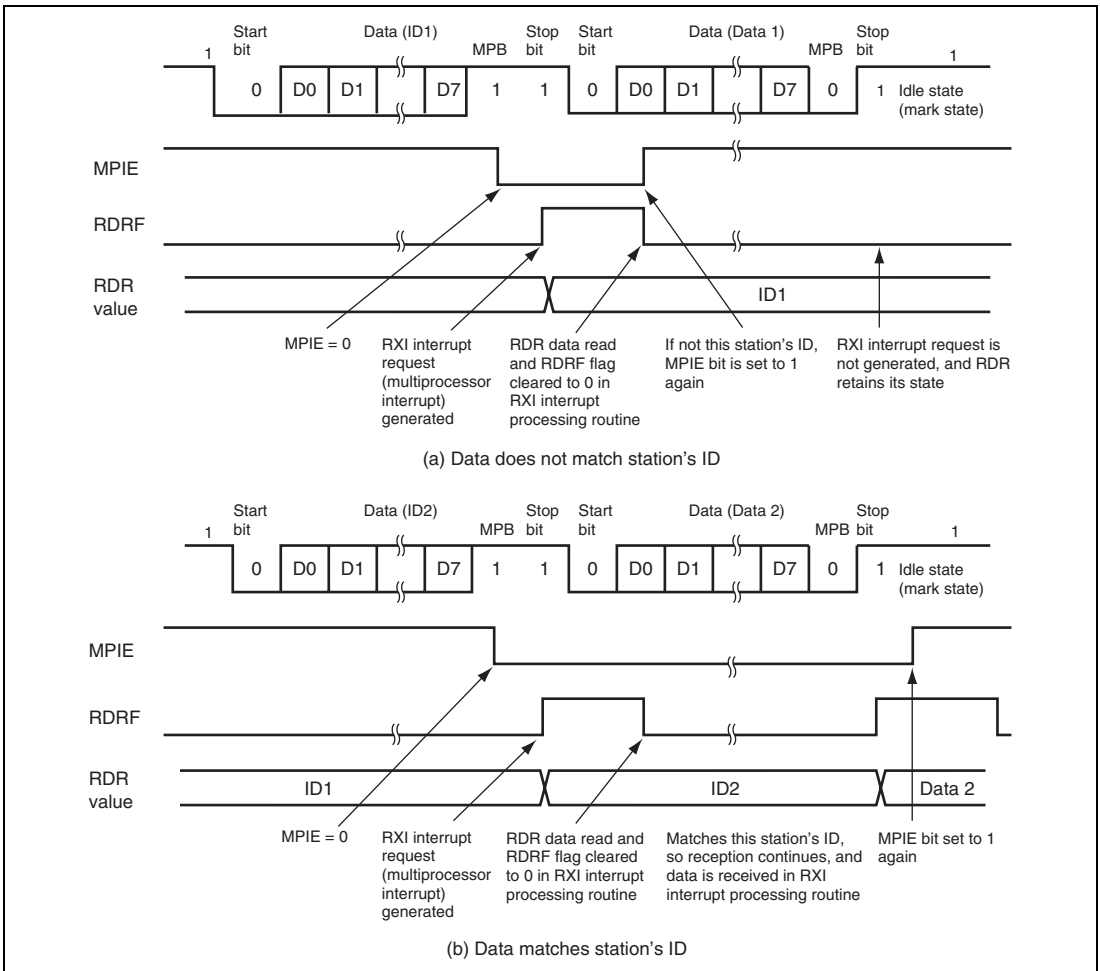
Figure 14.11 shows a sample flowchart for multiprocessor serial data transmission. For an ID transmission cycle, set the MPBT bit in SSR to 1 before transmission. For a data transmission cycle, clear the MPBT bit in SSR to 0 before transmission. All other SCI operations are the same as those in asynchronous mode.



**Figure 14.11 Sample Multiprocessor Serial Transmission Flowchart**

## 14.5.2 Multiprocessor Serial Data Reception

Figure 14.13 shows a sample flowchart for multiprocessor serial data reception. If the MPIE bit in SCR is set to 1, data is skipped until data with a 1 multiprocessor bit is sent. On receiving data with a 1 multiprocessor bit, the receive data is transferred to RDR. An RXI interrupt request is generated at this time. All other SCI operations are the same as in asynchronous mode. Figure 14.12 shows an example of SCI operation for multiprocessor format reception.



**Figure 14.12 Example of SCI Operation for Reception  
(Example with 8-Bit Data, Multiprocessor Bit, One Stop Bit)**

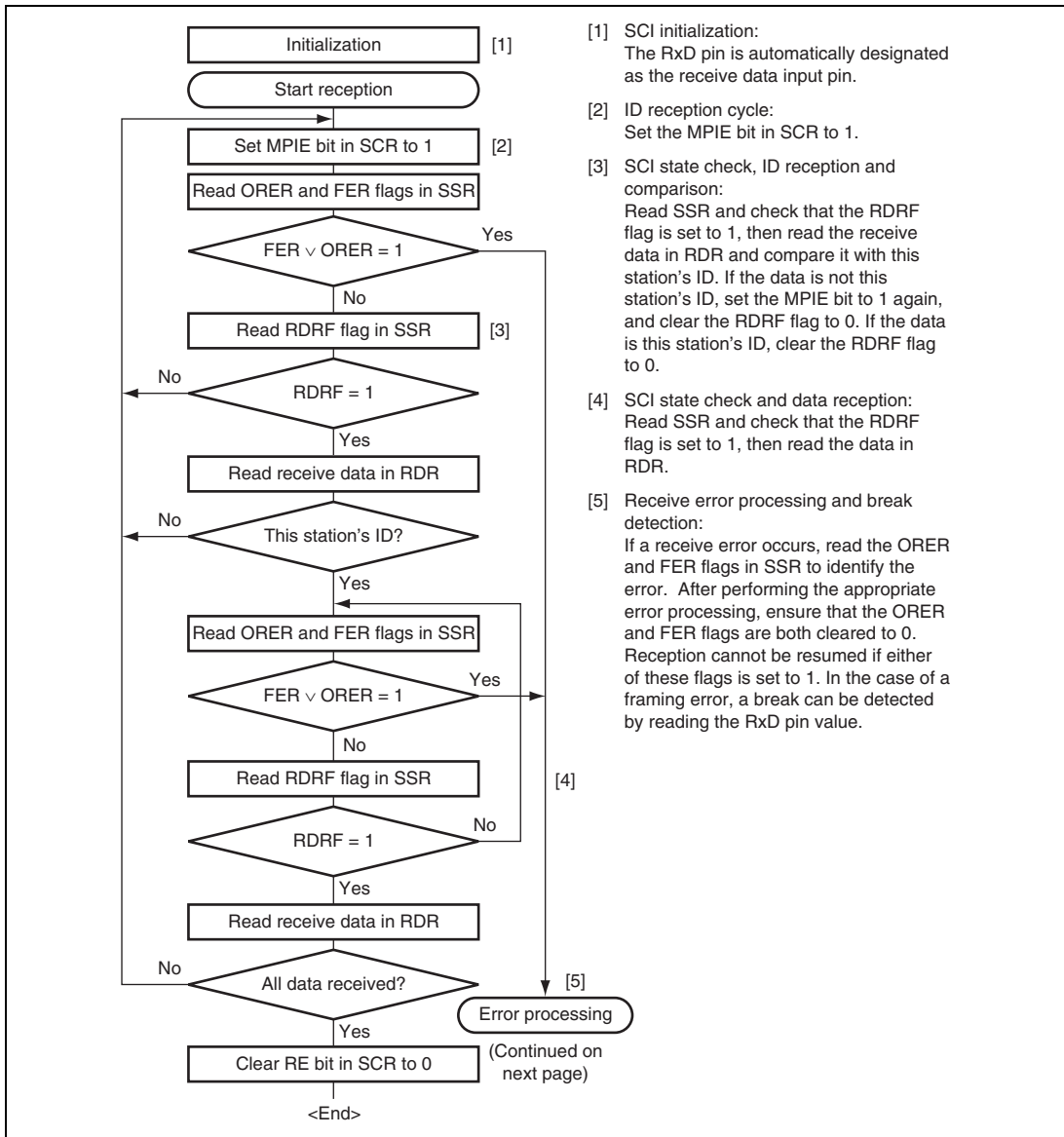
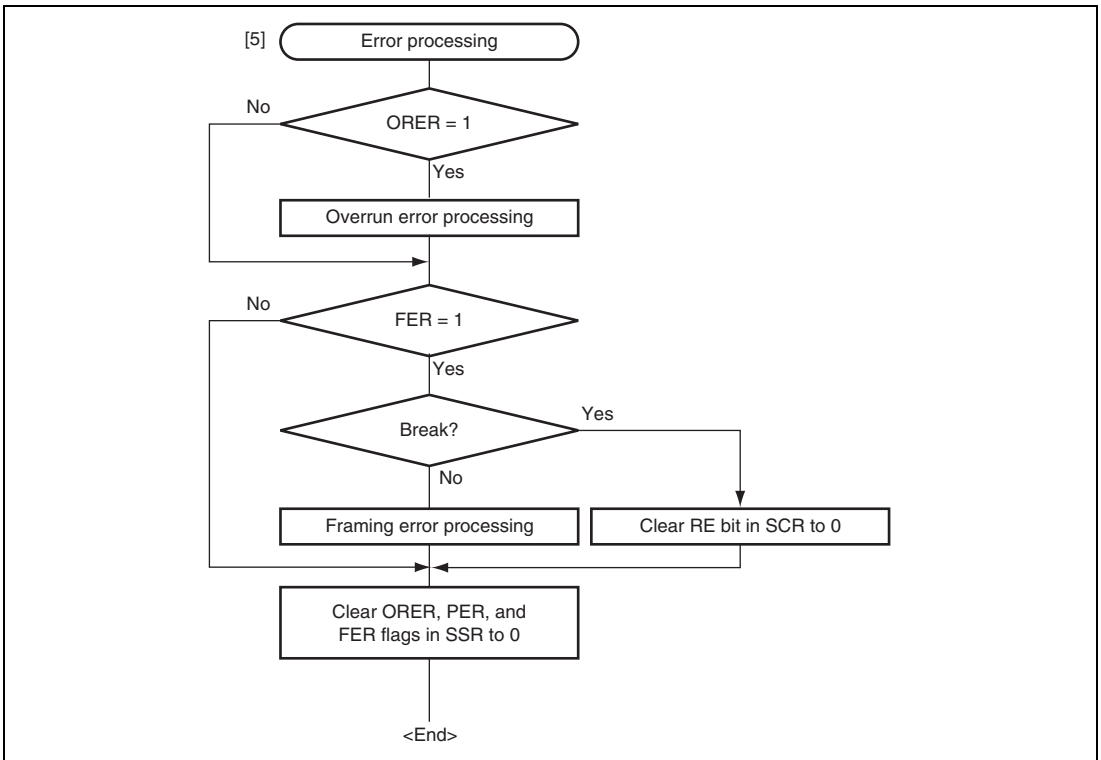


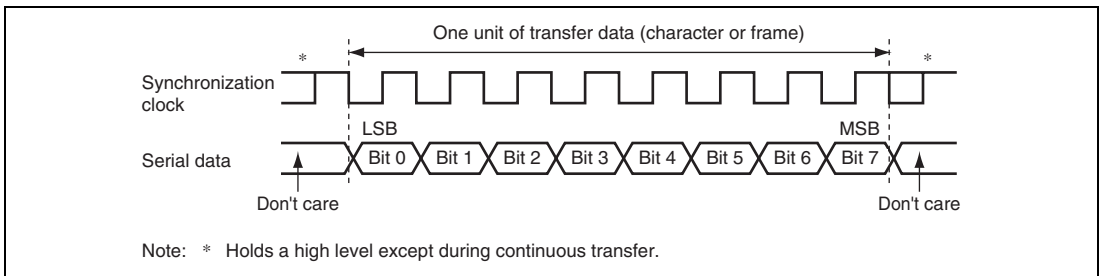
Figure 14.13 Sample Multiprocessor Serial Reception Flowchart (1)



**Figure 14.13 Sample Multiprocessor Serial Reception Flowchart (2)**

## 14.6 Operation in Clocked Synchronous Mode

Figure 14.14 shows the general format for clocked synchronous communication. In clocked synchronous mode, data is transmitted or received in synchronization with clock pulses. One character in transfer data consists of 8-bit data. In data transmission, the SCI outputs data from one falling edge of the synchronization clock to the next. In data reception, the SCI receives data in synchronization with the rising edge of the synchronization clock. After 8-bit data is output, the transmission line holds the MSB output state. In clocked synchronous mode, no parity bit or multiprocessor bit is added. Inside the SCI, the transmitter and receiver are independent units, enabling full-duplex communication by use of a common clock. Both the transmitter and the receiver also have a double-buffered structure, so that the next transmit data can be written during transmission or the previous receive data can be read during reception, enabling continuous data transfer.



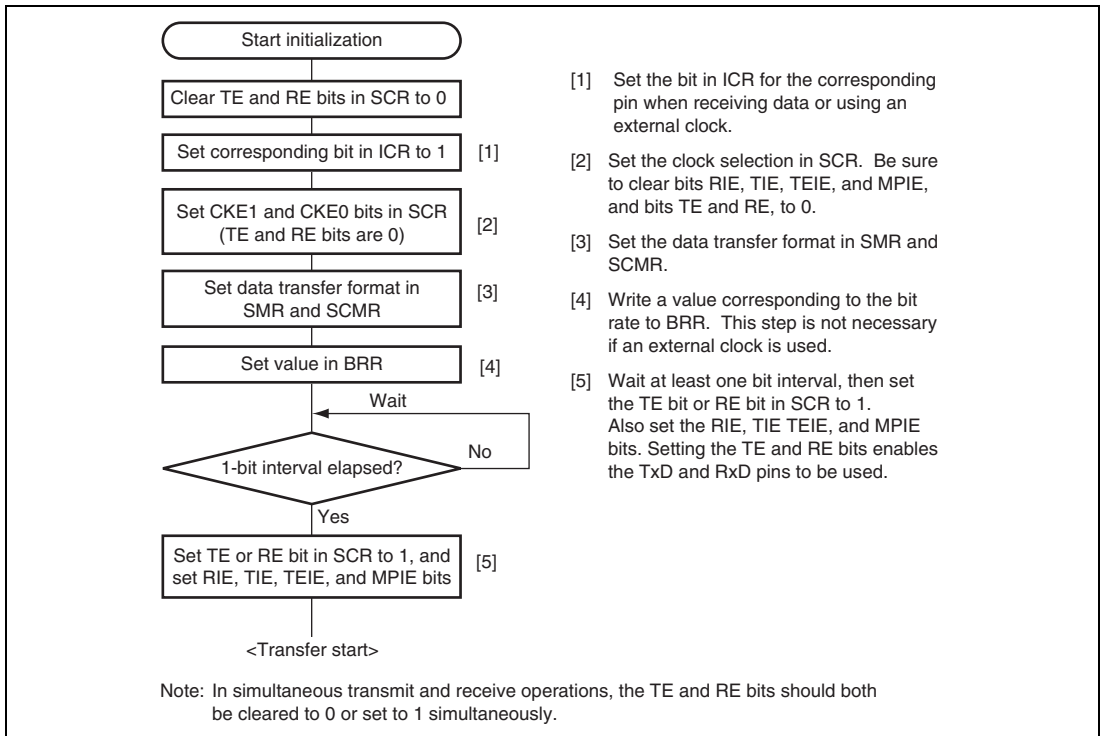
**Figure 14.14 Data Format in Clocked Synchronous Communication (LSB-First)**

### 14.6.1 Clock

Either an internal clock generated by the on-chip baud rate generator or an external synchronization clock input at the SCK pin can be selected, according to the setting of the CKE1 and CKE0 bits in SCR. When the SCI is operated on an internal clock, the synchronization clock is output from the SCK pin. Eight synchronization clock pulses are output in the transfer of one character, and when no transfer is performed the clock is fixed high. Note that in the case of reception only, the synchronization clock is output until an overrun error occurs or until the RE bit is cleared to 0.

## 14.6.2 SCI Initialization (Clocked Synchronous Mode)

Before transmitting and receiving data, first clear the TE and RE bits in SCR to 0, then initialize the SCI as described in a sample flowchart in figure 14.15. When the operating mode, transfer format, etc., is changed, the TE and RE bits must be cleared to 0 before making the change. When the TE bit is cleared to 0, the TDRE flag is set to 1. However, clearing the RE bit to 0 does not initialize the RDRF, PER, FER, and ORER flags, or RDR.



**Figure 14.15 Sample SCI Initialization Flowchart**

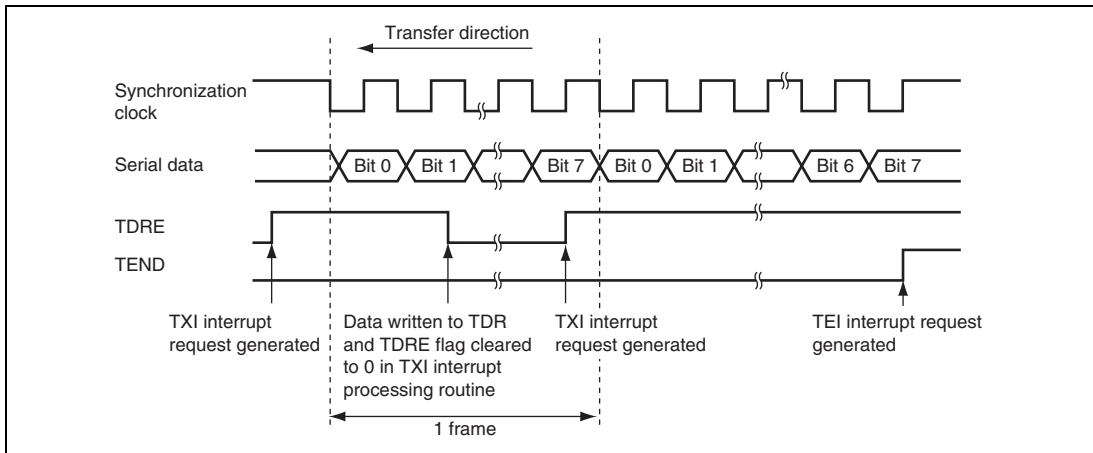
### 14.6.3 Serial Data Transmission (Clocked Synchronous Mode)

Figure 14.16 shows an example of the operation for transmission in clocked synchronous mode. In transmission, the SCI operates as described below.

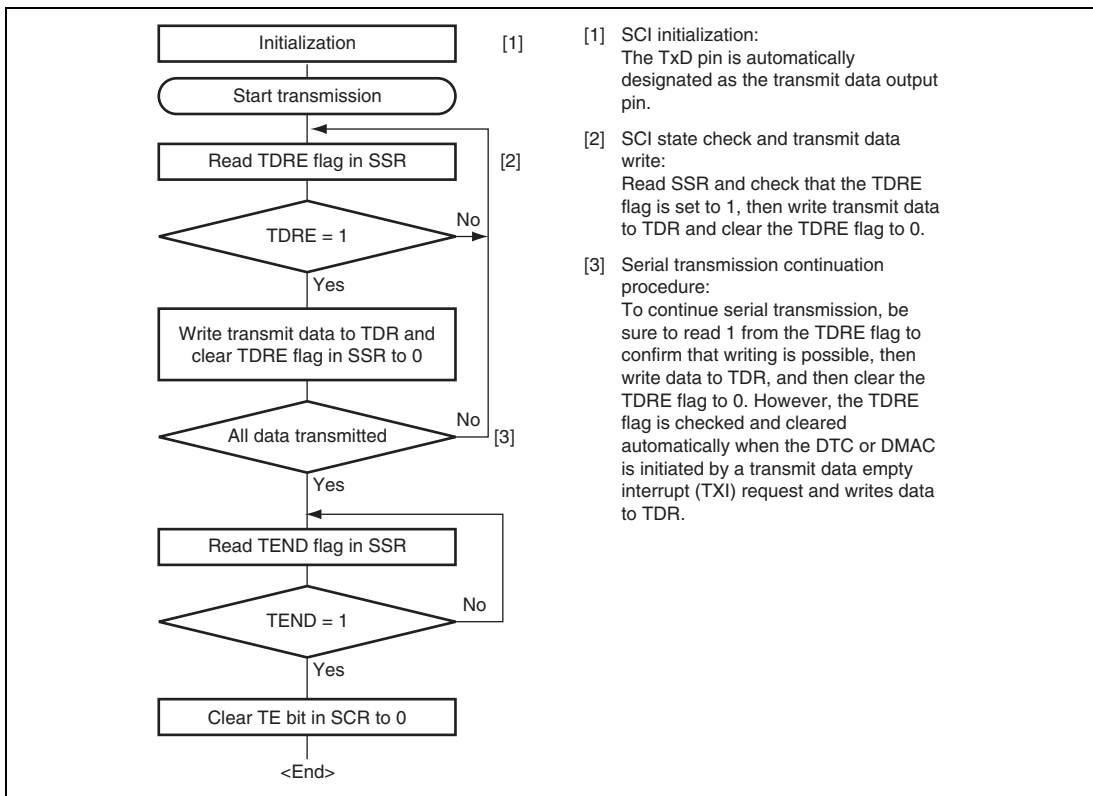
1. The SCI monitors the TDRE flag in SSR, and if it is 0, recognizes that data has been written to TDR, and transfers the data from TDR to TSR.
2. After transferring data from TDR to TSR, the SCI sets the TDRE flag to 1 and starts transmission. If the TIE bit in SCR is set to 1 at this time, a TXI interrupt request is generated. Because the TXI interrupt processing routine writes the next transmit data to TDR before transmission of the current transmit data has finished, continuous transmission can be enabled.
3. 8-bit data is sent from the TxD pin synchronized with the output clock when clock output mode has been specified and synchronized with the input clock when use of an external clock has been specified.
4. The SCI checks the TDRE flag at the timing for sending the last bit.
5. If the TDRE flag is cleared to 0, the next transmit data is transferred from TDR to TSR, and serial transmission of the next frame is started.
6. If the TDRE flag is set to 1, the TEND flag in SSR is set to 1, and the TxD pin retains the output state of the last bit. If the TEIE bit in SCR is set to 1 at this time, a TEI interrupt request is generated. The SCK pin is fixed high.

Figure 14.17 shows a sample flowchart for serial data transmission. Even if the TDRE flag is cleared to 0, transmission will not start while a receive error flag (ORER, FER, or PER) is set to 1. Make sure to clear the receive error flags to 0 before starting transmission. Note that clearing the RE bit to 0 does not clear the receive error flags.





**Figure 14.16 Example of Operation for Transmission in Clocked Synchronous Mode**



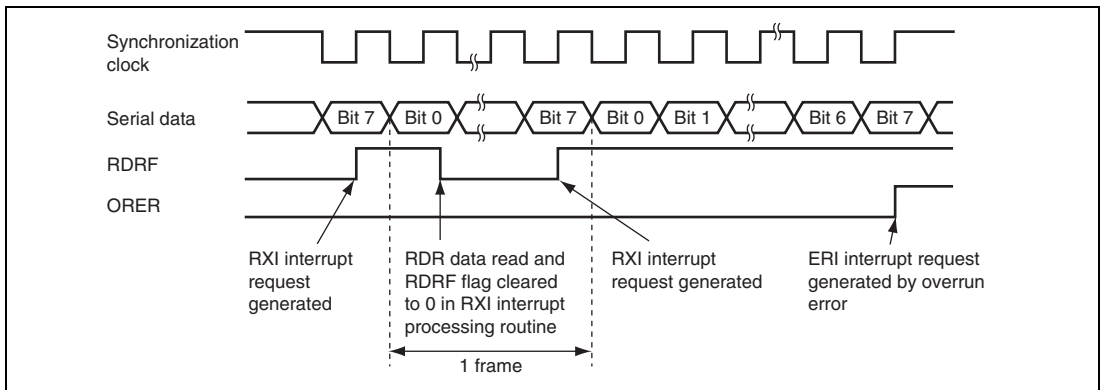
- [1] SCI initialization:  
The TxD pin is automatically designated as the transmit data output pin.
- [2] SCI state check and transmit data write:  
Read SSR and check that the TDRE flag is set to 1, then write transmit data to TDR and clear the TDRE flag to 0.
- [3] Serial transmission continuation procedure:  
To continue serial transmission, be sure to read 1 from the TDRE flag to confirm that writing is possible, then write data to TDR, and then clear the TDRE flag to 0. However, the TDRE flag is checked and cleared automatically when the DTC or DMAC is initiated by a transmit data empty interrupt (TXI) request and writes data to TDR.

**Figure 14.17 Sample Serial Transmission Flowchart**

### 14.6.4 Serial Data Reception (Clocked Synchronous Mode)

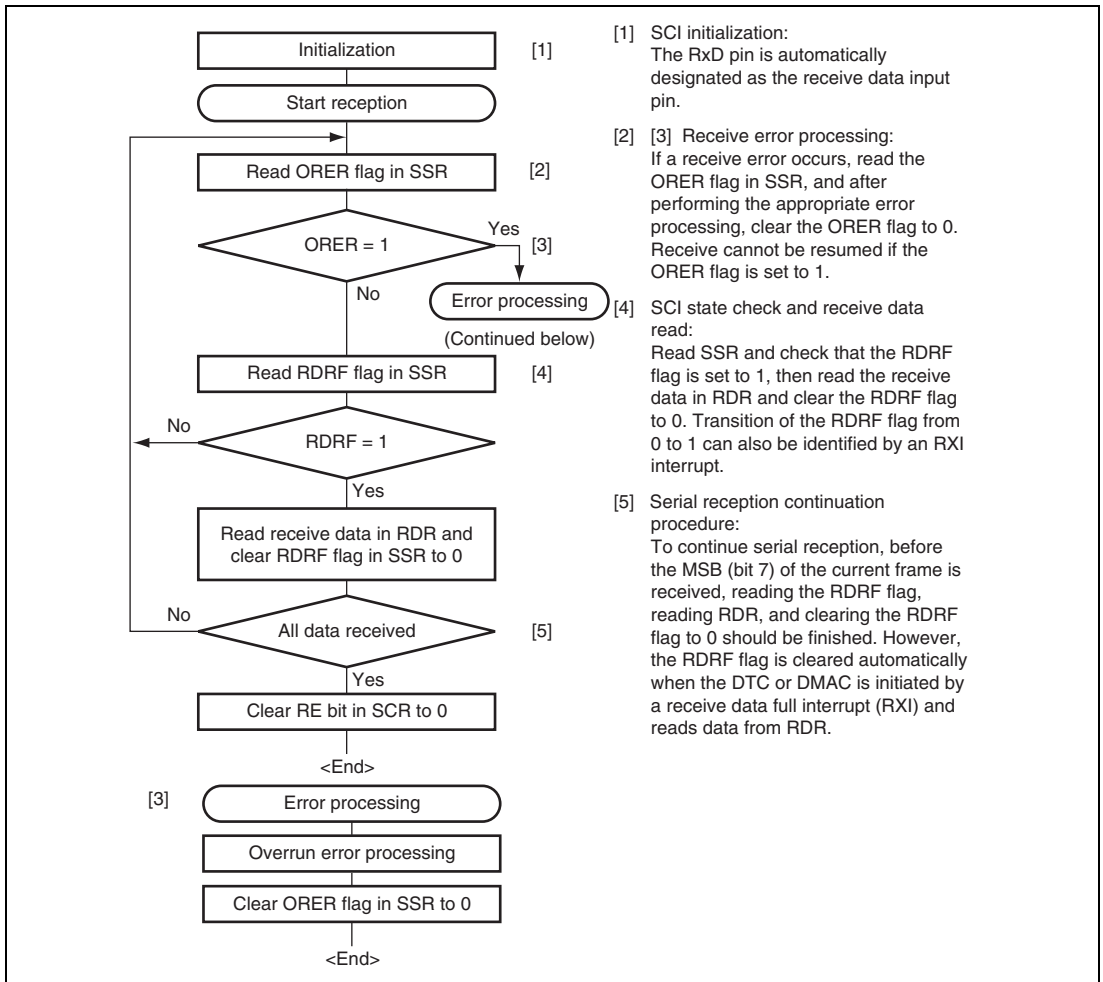
Figure 14.18 shows an example of SCI operation for reception in clocked synchronous mode. In serial reception, the SCI operates as described below.

1. The SCI performs internal initialization in synchronization with a synchronization clock input or output, starts receiving data, and stores the receive data in RSR.
2. If an overrun error (when reception of the next data is completed while the RDRF flag in SSR is still set to 1) occurs, the ORER bit in SSR is set to 1. If the RIE bit in SCR is set to 1 at this time, an ERI interrupt request is generated. Receive data is not transferred to RDR. The RDRF flag remains to be set to 1.
3. If reception finishes successfully, the RDRF bit in SSR is set to 1, and receive data is transferred to RDR. If the RIE bit in SCR is set to 1 at this time, an RXI interrupt request is generated. Because the RXI interrupt processing routine reads the receive data transferred to RDR before reception of the next receive data has finished, continuous reception can be enabled.



**Figure 14.18 Example of Operation for Reception in Clocked Synchronous Mode**

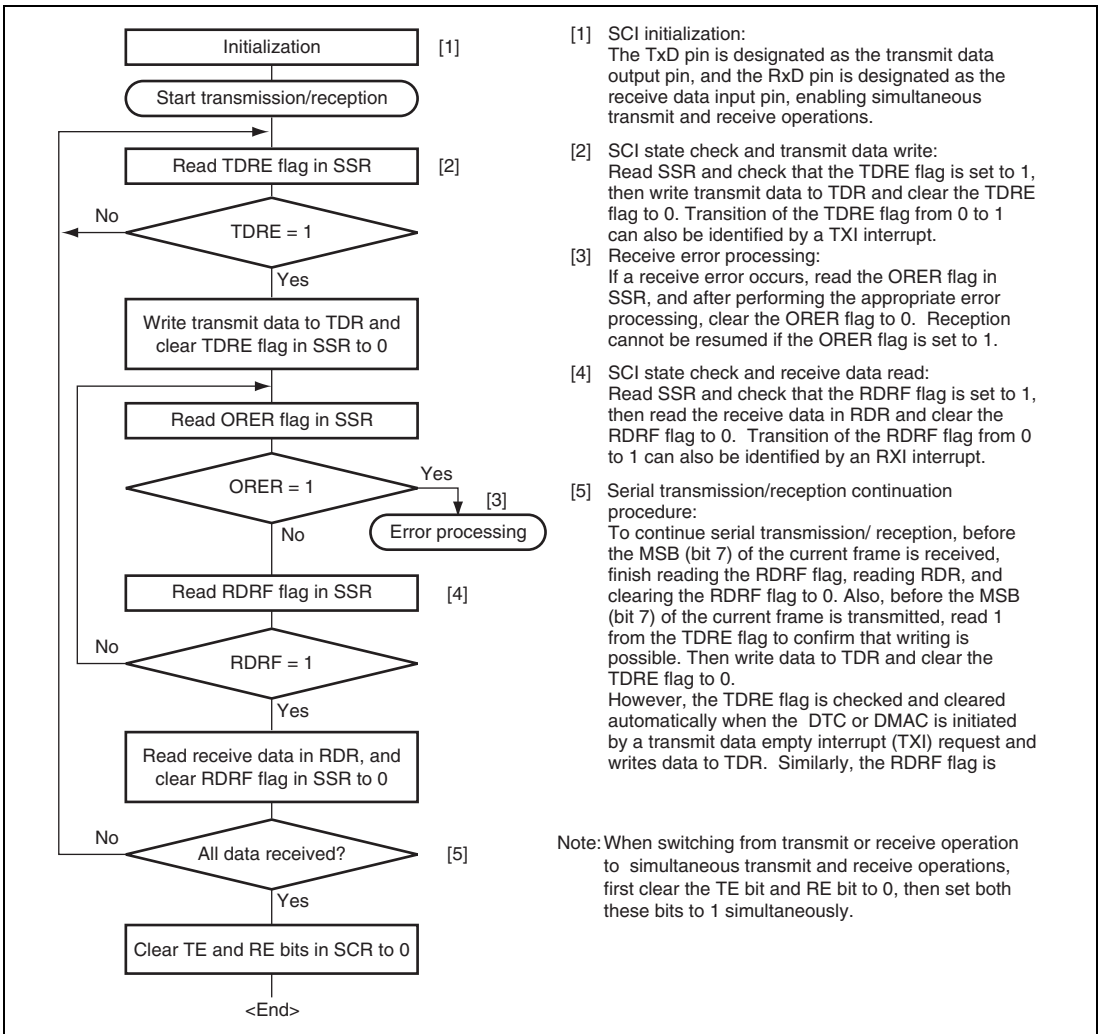
Transfer cannot be resumed while a receive error flag is set to 1. Accordingly, clear the ORER, FER, PER, and RDRF bits to 0 before resuming reception. Figure 14.19 shows a sample flowchart for serial data reception.



**Figure 14.19 Sample Serial Reception Flowchart**

### **14.6.5 Simultaneous Serial Data Transmission and Reception (Clocked Synchronous Mode)**

Figure 14.20 shows a sample flowchart for simultaneous serial transmit and receive operations. After initializing the SCI, the following procedure should be used for simultaneous serial data transmit and receive operations. To switch from transmit mode to simultaneous transmit and receive mode, after checking that the SCI has finished transmission and the TDRE and TEND flags are set to 1, clear the TE bit to 0. Then simultaneously set both the TE and RE bits to 1 with a single instruction. To switch from receive mode to simultaneous transmit and receive mode, after checking that the SCI has finished reception, clear the RE bit to 0. Then after checking that the RDRF bit and receive error flags (ORER, FER, and PER) are cleared to 0, simultaneously set both the TE and RE bits to 1 with a single instruction.



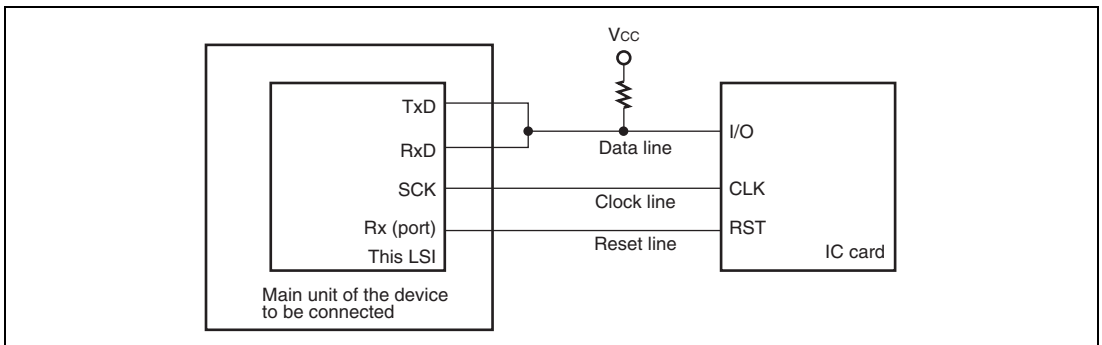
**Figure 14.20 Sample Flowchart of Simultaneous Serial Transmission and Reception**

## 14.7 Operation in Smart Card Interface Mode

The SCI supports the IC card (smart card) interface, supporting the ISO/IEC 7816-3 (Identification Card) standard, as an extended serial communication interface function. Smart card interface mode can be selected using the appropriate register.

### 14.7.1 Sample Connection

Figure 14.21 shows a sample connection between the smart card and this LSI. As in the figure, since this LSI communicates with the IC card using a single transmission line, interconnect the TxD and RxD pins and pull up the data transmission line to  $V_{cc}$  using a resistor. Setting the RE and TE bits to 1 with the IC card not connected enables closed transmission/reception allowing self diagnosis. To supply the IC card with the clock pulses generated by the SCI, input the SCK pin output to the CLK pin of the IC card. A reset signal can be supplied via the output port of this LSI.

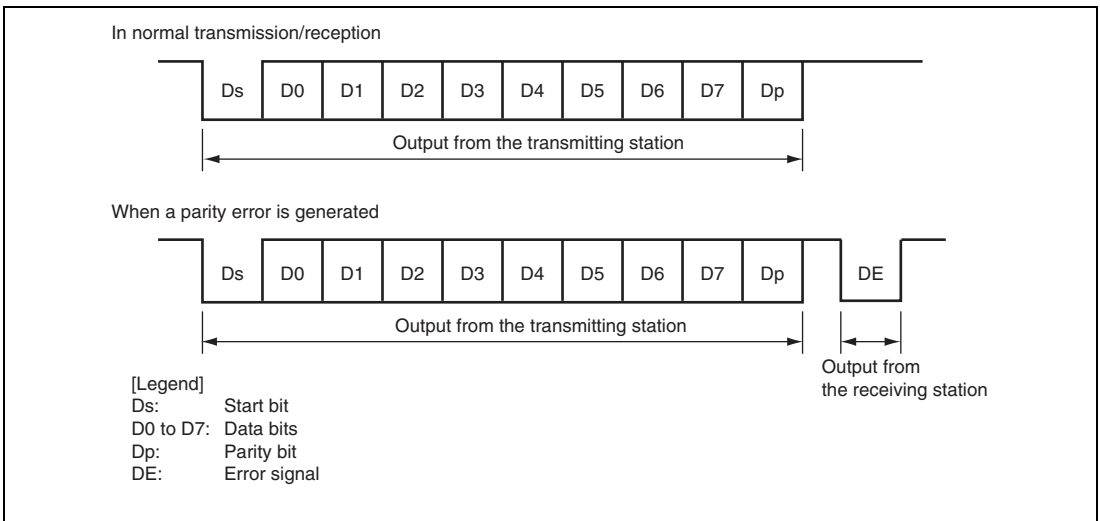


**Figure 14.21 Pin Connection for Smart Card Interface**

### 14.7.2 Data Format (Except in Block Transfer Mode)

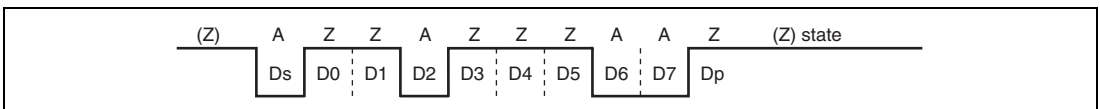
Figure 14.22 shows the data transfer formats in smart card interface mode.

- One frame contains 8-bit data and a parity bit in asynchronous mode.
- During transmission, at least 2 etu (elementary time unit: time required for transferring one bit) is secured as a guard time after the end of the parity bit before the start of the next frame.
- If a parity error is detected during reception, a low error signal is output for 1 etu after 10.5 etu has passed from the start bit.
- If an error signal is sampled during transmission, the same data is automatically re-transmitted after at least 2 etu.



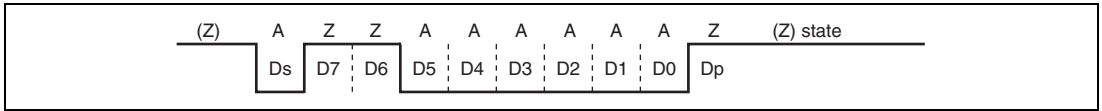
**Figure 14.22 Data Formats in Normal Smart Card Interface Mode**

For communication with the IC cards of the direct convention and inverse convention types, follow the procedure below.



**Figure 14.23 Direct Convention (SDIR = SINV =  $O/\bar{E} = 0$ )**

For the direct convention type, logic levels 1 and 0 correspond to states Z and A, respectively, and data is transferred with LSB-first as the start character, as shown in figure 14.23. Therefore, data in the start character in the figure is H'3B. When using the direct convention type, write 0 to both the SDIR and SINV bits in SCMR. Write 0 to the  $O\bar{E}$  bit in SMR in order to use even parity, which is prescribed by the smart card standard.



**Figure 14.24 Inverse Convention (SDIR = SINV =  $O\bar{E}$  = 1)**

For the inverse convention type, logic levels 1 and 0 correspond to states A and Z, respectively and data is transferred with MSB-first as the start character, as shown in figure 14.24. Therefore, data in the start character in the figure is H'3F. When using the inverse convention type, write 1 to both the SDIR and SINV bits in SCMR. The parity bit is logic level 0 to produce even parity, which is prescribed by the smart card standard, and corresponds to state Z. Since the SNIV bit of this LSI only inverts data bits D7 to D0, write 1 to the  $O\bar{E}$  bit in SMR to invert the parity bit in both transmission and reception.

### 14.7.3 Block Transfer Mode

Block transfer mode is different from normal smart card interface mode in the following respects.

- Even if a parity error is detected during reception, no error signal is output. Since the PER bit in SSR is set by error detection, clear the PER bit before receiving the parity bit of the next frame.
- During transmission, at least 1 etu is secured as a guard time after the end of the parity bit before the start of the next frame.
- Since the same data is not re-transmitted during transmission, the TEND flag is set 11.5 etu after transmission start.
- Although the ERS flag in block transfer mode displays the error signal status as in normal smart card interface mode, the flag is always read as 0 because no error signal is transferred.



### 14.7.4 Receive Data Sampling Timing and Reception Margin

Only the internal clock generated by the on-chip baud rate generator can be used as a transfer clock in smart card interface mode. In this mode, the SCI can operate on a basic clock with a frequency of 32, 64, 372, or 256 times the bit rate according to the BCP1 and BCP0 bit settings (the frequency is always 16 times the bit rate in normal asynchronous mode). At reception, the falling edge of the start bit is sampled using the basic clock in order to perform internal synchronization. Receive data is sampled on the 16th, 32nd, 186th and 128th rising edges of the basic clock so that it can be latched at the middle of each bit as shown in figure 14.25. The reception margin here is determined by the following formula.

$$M = \left| \left( 0.5 - \frac{1}{2N} \right) - (L - 0.5) F - \frac{|D - 0.5|}{N} (1 + F) \right| \times 100\%$$

M: Reception margin (%)

N: Ratio of bit rate to clock (N = 32, 64, 372, 256)

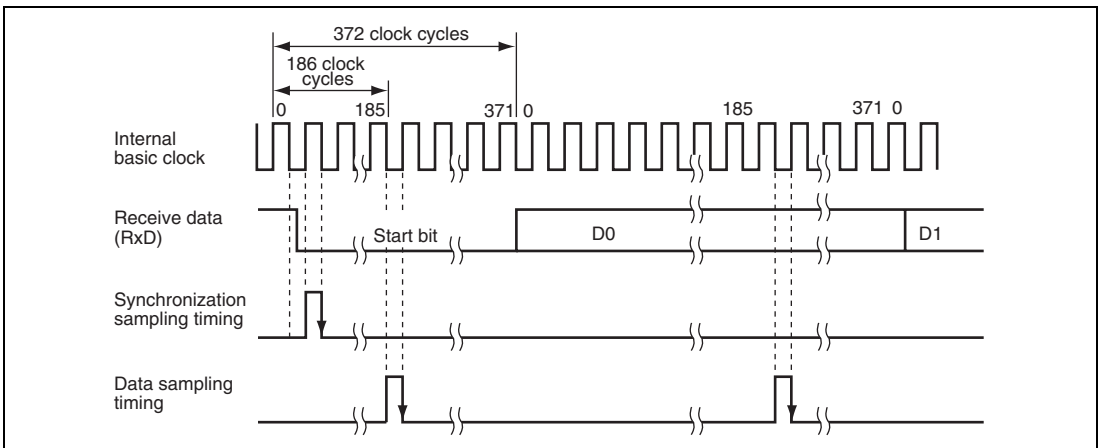
D: Duty cycle of clock (D = 0 to 1.0)

L: Frame length (L = 10)

F: Absolute value of clock frequency deviation

Assuming values of F = 0, D = 0.5, and N = 372 in the above formula, the reception margin is determined by the formula below.

$$M = \left( 0.5 - \frac{1}{2 \times 372} \right) \times 100\% = 49.866\%$$



**Figure 14.25 Receive Data Sampling Timing in Smart Card Interface Mode  
(When Clock Frequency is 372 Times the Bit Rate)**

### 14.7.5 Initialization

Before transmitting and receiving data, initialize the SCI using the following procedure. Initialization is also necessary before switching from transmission to reception and vice versa.

1. Clear the TE and RE bits in SCR to 0.
2. Set the ICR bit of the corresponding pin to 1.
3. Clear the error flags ERS, PER, and ORER in SSR to 0.
4. Set the GM, BLK,  $O/\bar{E}$ , BCP1, BCP0, CKS1, and CKS0 bits in SMR appropriately. Also set the PE bit to 1.
5. Set the SMIF, SDIR, and SINV bits in SCMR appropriately. When the DDR corresponding to the TxD pin is cleared to 0, the TxD and RxD pins are changed from port pins to SCI pins, placing the pins into high impedance state.
6. Set the value corresponding to the bit rate in BRR.
7. Set the CKE1 and CKE0 bits in SCR appropriately. Clear the TIE, RIE, TE, RE, MPIE, and TEIE bits to 0 simultaneously.

When the CKE0 bit is set to 1, the SCK pin is allowed to output clock pulses.

8. Set the TIE, RIE, TE, and RE bits in SCR appropriately after waiting for at least a 1-bit interval. Setting the TE and RE bits to 1 simultaneously is prohibited except for self diagnosis.

To switch from reception to transmission, first verify that reception has completed, then initialize the SCI. At the end of initialization, RE and TE should be set to 0 and 1, respectively. Reception completion can be verified by reading the RDRF, PER, or ORER flag. To switch from transmission to reception, first verify that transmission has completed, then initialize the SCI. At the end of initialization, TE and RE should be set to 0 and 1, respectively. Transmission completion can be verified by reading the TEND flag.

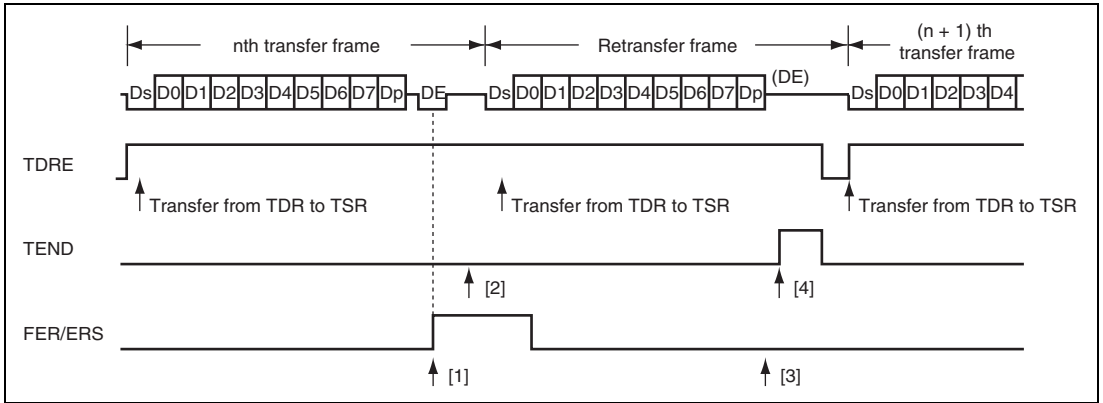
### 14.7.6 Data Transmission (Except in Block Transfer Mode)

Data transmission in smart card interface mode (except in block transfer mode) is different from that in normal serial communication interface mode in that an error signal is sampled and data can be re-transmitted. Figure 14.26 shows the data re-transfer operation during transmission.

1. If an error signal from the receiving end is sampled after one frame of data has been transmitted, the ERS bit in SSR is set to 1. Here, an ERI interrupt request is generated if the RIE bit in SCR is set to 1. Clear the ERS bit to 0 before the next parity bit is sampled.
2. For the frame in which an error signal is received, the TEND bit in SSR is not set to 1. Data is re-transferred from TDR to TSR allowing automatic data retransmission.
3. If no error signal is returned from the receiving end, the ERS bit in SSR is not set to 1.
4. In this case, one frame of data is determined to have been transmitted including re-transfer, and the TEND bit in SSR is set to 1. Here, a TXI interrupt request is generated if the TIE bit in SCR is set to 1. Writing transmit data to TDR starts transmission of the next data.

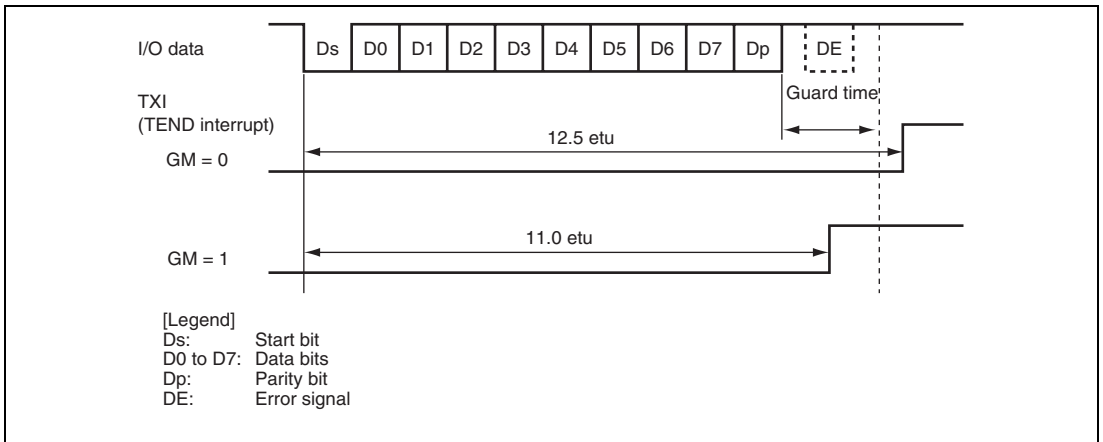
Figure 14.28 shows a sample flowchart for transmission. All the processing steps are automatically performed using a TXI interrupt request to activate the DTC or DMAC. In transmission, the TEND and TDRE flags in SSR are simultaneously set to 1, thus generating a TXI interrupt request if the TIE bit in SCR has been set to 1. This activates the DTC or DMAC by a TXI request thus allowing transfer of transmit data if the TXI interrupt request is specified as a source of DTC or DMAC activation beforehand. The TDRE and TEND flags are automatically cleared to 0 at data transfer by the DTC or DMAC. If an error occurs, the SCI automatically re-transmits the same data. During re-transmission, TEND remains as 0, thus not activating the DTC or DMAC. Therefore, the SCI and DTC or DMAC automatically transmit the specified number of bytes, including re-transmission in the case of error occurrence. However, the ERS flag is not automatically cleared; the ERS flag must be cleared by previously setting the RIE bit to 1 to enable an ERI interrupt request to be generated at error occurrence.

When transmitting/receiving data using the DTC or DMAC, be sure to set and enable the DTC or DMAC prior to making SCI settings. For DTC or DMAC settings, see section 7, DMA Controller (DMAC) and section 8, Data Transfer Controller (DTC).

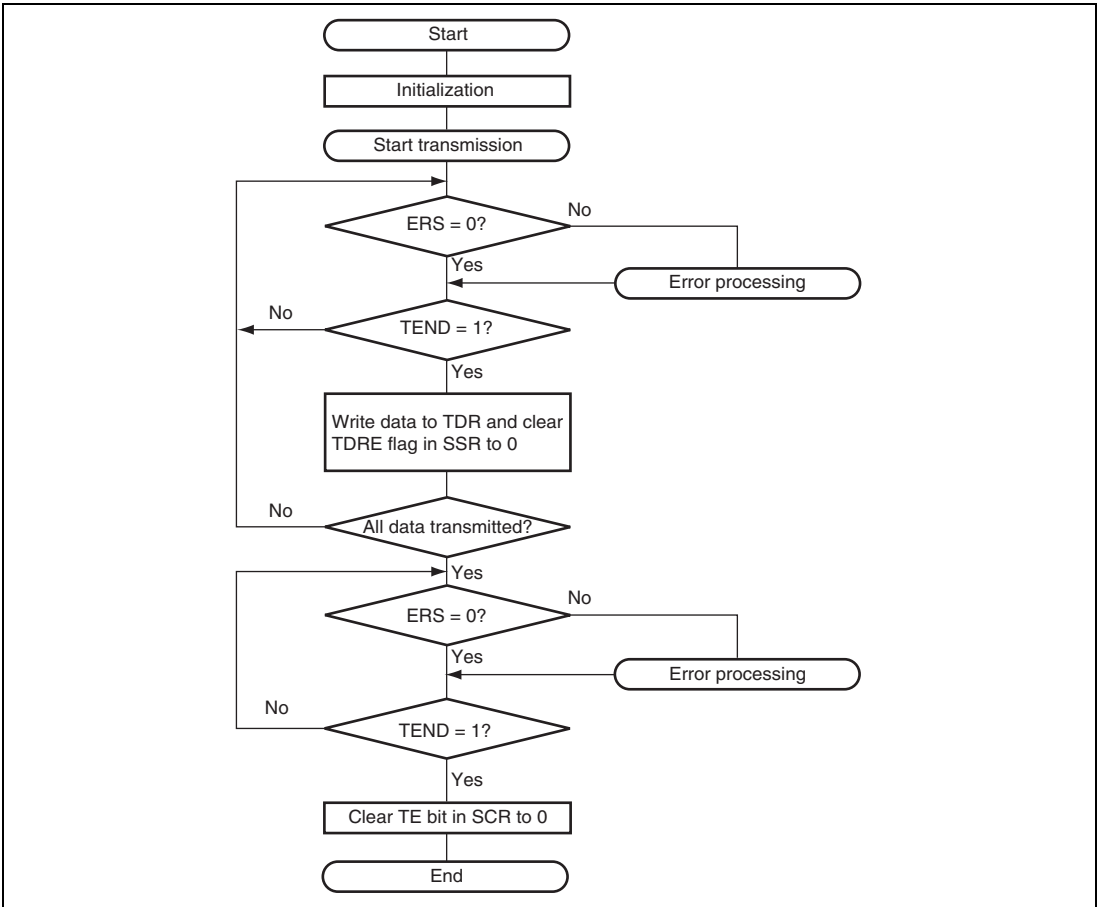


**Figure 14.26 Data Re-Transfer Operation in SCI Transmission Mode**

Note that the TEND flag is set in different timings depending on the GM bit setting in SMR. Figure 14.27 shows the TEND flag set timing.



**Figure 14.27 TEND Flag Set Timing during Transmission**



**Figure 14.28 Sample Transmission Flowchart**

### 14.7.7 Serial Data Reception (Except in Block Transfer Mode)

Data reception in smart card interface mode is similar to that in normal serial communication interface mode. Figure 14.29 shows the data re-transfer operation during reception.

1. If a parity error is detected in receive data, the PER bit in SSR is set to 1. Here, an ERI interrupt request is generated if the RIE bit in SCR is set to 1. Clear the PER bit to 0 before the next parity bit is sampled.
2. For the frame in which a parity error is detected, the RDRF bit in SSR is not set to 1.
3. If no parity error is detected, the PER bit in SSR is not set to 1.
4. In this case, data is determined to have been received successfully, and the RDRF bit in SSR is set to 1. Here, an RXI interrupt request is generated if the RIE bit in SCR is set to 1.

Figure 14.30 shows a sample flowchart for reception. All the processing steps are automatically performed using an RXI interrupt request to activate the DTC or DMAC. In reception, setting the RIE bit to 1 allows an RXI interrupt request to be generated when the RDRF flag is set to 1. This activates the DTC or DMAC by an RXI request thus allowing transfer of receive data if the RXI interrupt request is specified as a source of DTC or DMAC activation beforehand. The RDRF flag is automatically cleared to 0 at data transfer by the DTC or DMAC. If an error occurs during reception, i.e., either the ORER or PER flag is set to 1, a transmit/receive error interrupt (ERI) request is generated and the error flag must be cleared. If an error occurs, the DTC or DMAC is not activated and receive data is skipped, therefore, the number of bytes of receive data specified in the DTC or DMAC is transferred. Even if a parity error occurs and the PER bit is set to 1 in reception, receive data is transferred to RDR, thus allowing the data to be read.

Note: For operations in block transfer mode, see section 14.4, Operation in Asynchronous Mode.

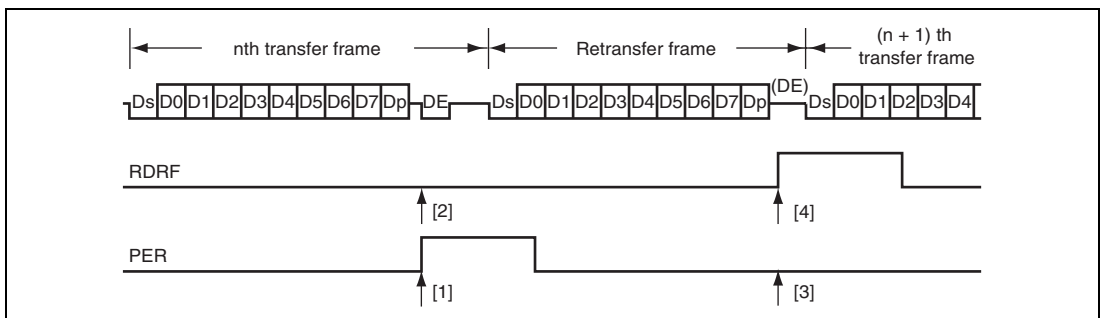
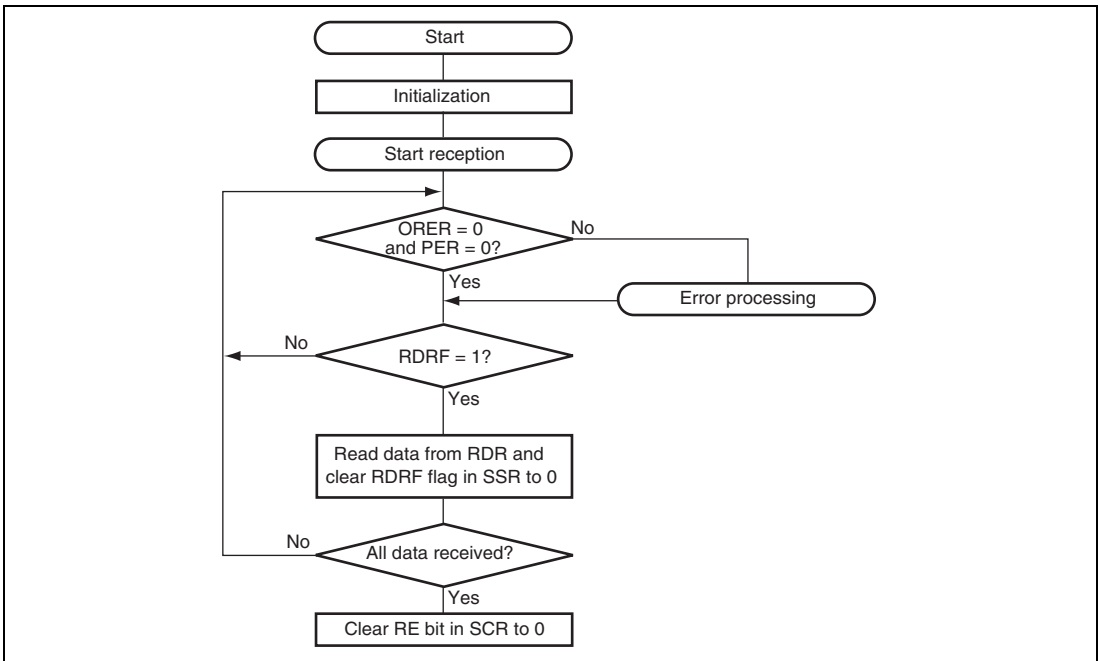


Figure 14.29 Data Re-Transfer Operation in SCI Reception Mode

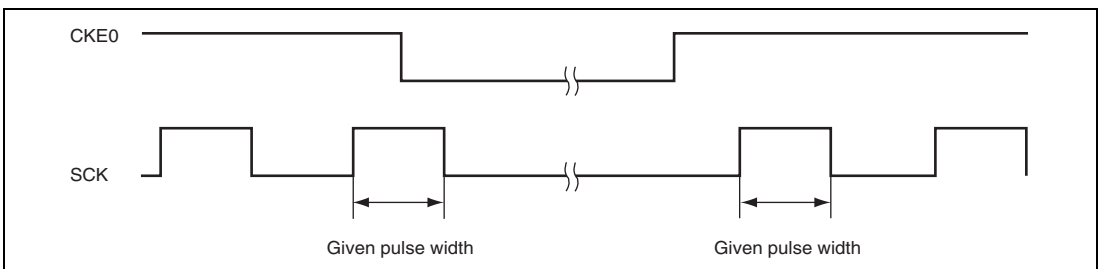


**Figure 14.30 Sample Reception Flowchart**

### 14.7.8 Clock Output Control

Clock output can be fixed using the CKE1 and CKE0 bits in SCR when the GM bit in SMR is set to 1. Specifically, the minimum width of a clock pulse can be specified.

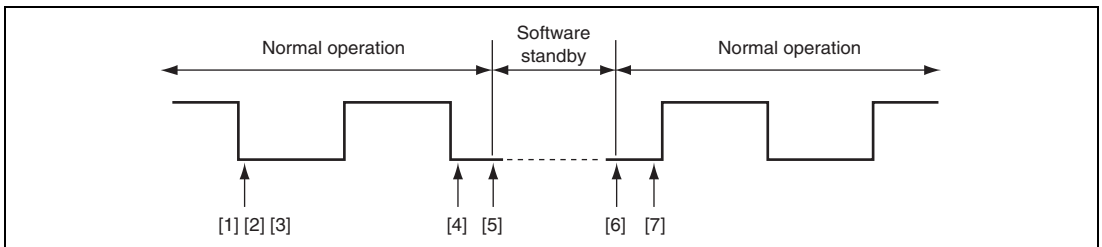
Figure 14.31 shows an example of clock output fixing timing when the CKE0 bit is controlled with GM = 1 and CKE1 = 0.



**Figure 14.31 Clock Output Fixing Timing**

At power-on and transitions to/from software standby mode, use the following procedure to secure the appropriate clock duty cycle.

- At power-on
  - To secure the appropriate clock duty cycle simultaneously with power-on, use the following procedure.
    1. Initially, port input is enabled in the high-impedance state. To fix the potential level, use a pull-up or pull-down resistor.
    2. Fix the SCK pin to the specified output using the CKE1 bit in SCR.
    3. Set SMR and SCMR to enable smart card interface mode.
      - Set the CKE0 bit in SCR to 1 to start clock output.
- At mode switching
  - At transition from smart card interface mode to software standby mode
    1. Set the data register (DR) and data direction register (DDR) corresponding to the SCK pin to the values for the output fixed state in software standby mode.
    2. Write 0 to the TE and RE bits in SCR to stop transmission/reception. Simultaneously, set the CKE1 bit to the value for the output fixed state in software standby mode.
    3. Write 0 to the CKE0 bit in SCR to stop the clock.
    4. Wait for one cycle of the serial clock. In the mean time, the clock output is fixed to the specified level with the duty cycle retained.
    5. Make the transition to software standby mode.
  - At transition from smart card interface mode to software standby mode
    1. Clear software standby mode.
    2. Write 1 to the CKE0 bit in SCR to start clock output. A clock signal with the appropriate duty cycle is then generated.



**Figure 14.32 Clock Stop and Restart Procedure**



## 14.8 Interrupt Sources

### 14.8.1 Interrupts in Normal Serial Communication Interface Mode

Table 14.12 shows the interrupt sources in normal serial communication interface mode. A different interrupt vector is assigned to each interrupt source, and individual interrupt sources can be enabled or disabled using the enable bits in SCR.

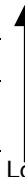
When the TDRE flag in SSR is set to 1, a TXI interrupt request is generated. When the TEND flag in SSR is set to 1, a TEI interrupt request is generated. A TXI interrupt request can activate the DTC or DMAC to allow data transfer. The TDRE flag is automatically cleared to 0 at data transfer by the DTC or DMAC.

When the RDRF flag in SSR is set to 1, an RXI interrupt request is generated. When the ORER, PER, or FER flag in SSR is set to 1, an ERI interrupt request is generated. An RXI interrupt can activate the DTC or DMAC to allow data transfer. The RDRF flag is automatically cleared to 0 at data transfer by the DTC or DMAC.

A TEI interrupt is requested when the TEND flag is set to 1 while the TEIE bit is set to 1. If a TEI interrupt and a TXI interrupt are requested simultaneously, the TXI interrupt has priority for acceptance. However, note that if the TDRE and TEND flags are cleared to 0 simultaneously by the TXI interrupt processing routine, the SCI cannot branch to the TEI interrupt processing routine later.

**Table 14.12 SCI Interrupt Sources**

Name	Interrupt Source	Interrupt Flag	DMAC Activation	DTC Activation	Priority
ERI	Receive error	ORER, FER, or PER	Not possible	Not possible	High
RXI	Receive data full	RDRF	Possible	Possible	
TXI	Transmit data empty	TDRE	Possible	Possible	
TEI	Transmit end	TEND	Not possible	Not possible	Low



## 14.8.2 Interrupts in Smart Card Interface Mode

Table 14.13 shows the interrupt sources in smart card interface mode. A transmit end (TEI) interrupt request cannot be used in this mode.

**Table 14.13 SCI Interrupt Sources**

Name	Interrupt Source	Interrupt Flag	DMAC Activation	DTC Activation	Priority
ERI	Receive error or error signal detection	ORER, PER, or ERS	Not possible	Not possible	High
RXI	Receive data full	RDRF	Possible	Possible	↑ Low
TXI	Transmit data empty	TDRE	Possible	Possible	

Data transmission/reception using the DTC or DMAC is also possible in smart card interface mode, similar to in the normal SCI mode. In transmission, the TEND and TDRE flags in SSR are simultaneously set to 1, thus generating a TXI interrupt. This activates the DTC or DMAC by a TXI request thus allowing transfer of transmit data if the TXI request is specified as a source of DTC or DMAC activation beforehand. The TDRE and TEND flags are automatically cleared to 0 at data transfer by the DTC or DMAC. If an error occurs, the SCI automatically re-transmits the same data. During re-transmission, the TEND flag remains as 0, thus not activating the DTC or DMAC. Therefore, the SCI and DTC or DMAC automatically transmit the specified number of bytes, including re-transmission in the case of error occurrence. However, the ERS flag in SSR, which is set at error occurrence, is not automatically cleared; the ERS flag must be cleared by previously setting the RIE bit in SCR to 1 to enable an ERI interrupt request to be generated at error occurrence.

When transmitting/receiving data using the DTC or DMAC, be sure to set and enable the DTC or DMAC prior to making SCI settings. For DTC or DMAC settings, see section 7, DMA Controller (DMAC) and section 8, Data Transfer Controller (DTC).

In reception, an RXI interrupt request is generated when the RDRF flag in SSR is set to 1. This activates the DTC or DMAC by an RXI request thus allowing transfer of receive data if the RXI request is specified as a source of DTC or DMAC activation beforehand. The RDRF flag is automatically cleared to 0 at data transfer by the DTC or DMAC. If an error occurs, the RDRF flag is not set but the error flag is set. Therefore, the DTC or DMAC is not activated and an ERI interrupt request is issued to the CPU instead; the error flag must be cleared.

## 14.9 Usage Notes

### 14.9.1 Module Stop Mode Setting

Operation of the SCI can be disabled or enabled using the module stop control register. The initial setting is for operation of the SCI to be halted. Register access is enabled by clearing module stop mode. For details, see section 19, Power-Down Modes.

### 14.9.2 Break Detection and Processing

When framing error detection is performed, a break can be detected by reading the RxD pin value directly. In a break, the input from the RxD pin becomes all 0s, and so the FER flag is set, and the PER flag may also be set. Note that, since the SCI continues the receive operation even after receiving a break, even if the FER flag is cleared to 0, it will be set to 1 again.

### 14.9.3 Mark State and Break Detection

When the TE bit is 0, the TxD pin is used as an I/O port whose direction (input or output) and level are determined by DR and DDR. This can be used to set the TxD pin to mark state (high level) or send a break during serial data transmission. To maintain the communication line in mark state (the state of 1) until TE is set to 1, set both DDR and DR to 1. Since the TE bit is cleared to 0 at this point, the TxD pin becomes an I/O port, and 1 is output from the TxD pin. To send a break during serial transmission, first set DDR to 1 and DR to 0, and then clear the TE bit to 0. When the TE bit is cleared to 0, the transmitter is initialized regardless of the current transmission state, the TxD pin becomes an I/O port, and 0 is output from the TxD pin.

### 14.9.4 Receive Error Flags and Transmit Operations (Clocked Synchronous Mode Only)

Transmission cannot be started when a receive error flag (ORER, FER, or RER) is set to 1, even if the TDRE flag is cleared to 0. Be sure to clear the receive error flags to 0 before starting transmission. Note also that the receive error flags cannot be cleared to 0 even if the RE bit is cleared to 0.

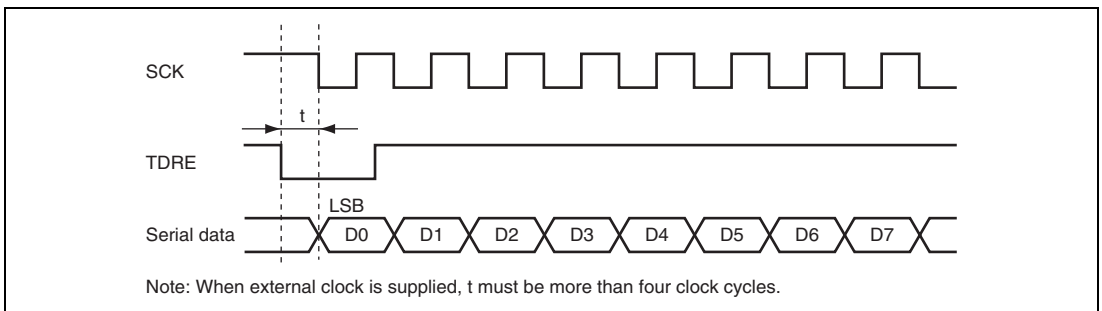
### 14.9.5 Relation between Writing to TDR and TDRE Flag

The TDRE flag in SSR is a status flag which indicates that transmit data has been transferred from TDR to TSR. When the SCI transfers data from TDR to TSR, the TDRE flag is set to 1.

Data can be written to TDR irrespective of the TDRE flag status. However, if new data is written to TDR when the TDRE flag is 0, that is, when the previous data has not been transferred to TSR yet, the previous data in TDR is lost. Be sure to write transmit data to TDR after verifying that the TDRE flag is set to 1.

### 14.9.6 Restrictions on Using DTC or DMAC

- When the external clock source is used as a synchronization clock, update TDR by the DTC or DMAC and wait for at least five  $P\phi$  clock cycles before allowing the transmit clock to be input. If the transmit clock is input within four clock cycles after TDR modification, the SCI may malfunction (figure 14.33).
- When using the DTC or DMAC to read RDR, be sure to set the receive end interrupt (RXI) as the DTC or DMAC activation source.



**Figure 14.33 Sample Transmission using DTC in Clocked Synchronous Mode**

## 14.9.7 SCI Operations during Mode Transitions

### (1) Transmission

Before making the transition to module stop mode or software standby mode, stop the transmit operations ( $TE = TIE = TEIE = 0$ ). TSR, TDR, and SSR are reset. The states of the output pins during module stop mode or software standby mode depend on the port settings, and the pins output a high-level signal after mode cancellation. If the transition is made during data transmission, the data being transmitted will be undefined.

To transmit data in the same transmission mode after mode cancellation, set the TE bit to 1, read SSR, write to TDR, clear TDRE in this order, and then start transmission. To transmit data in a different transmission mode, initialize the SCI first.

Figure 14.34 shows a sample flowchart for mode transition during transmission. Figures 14.35 and 14.36 show the port pin states during mode transition.

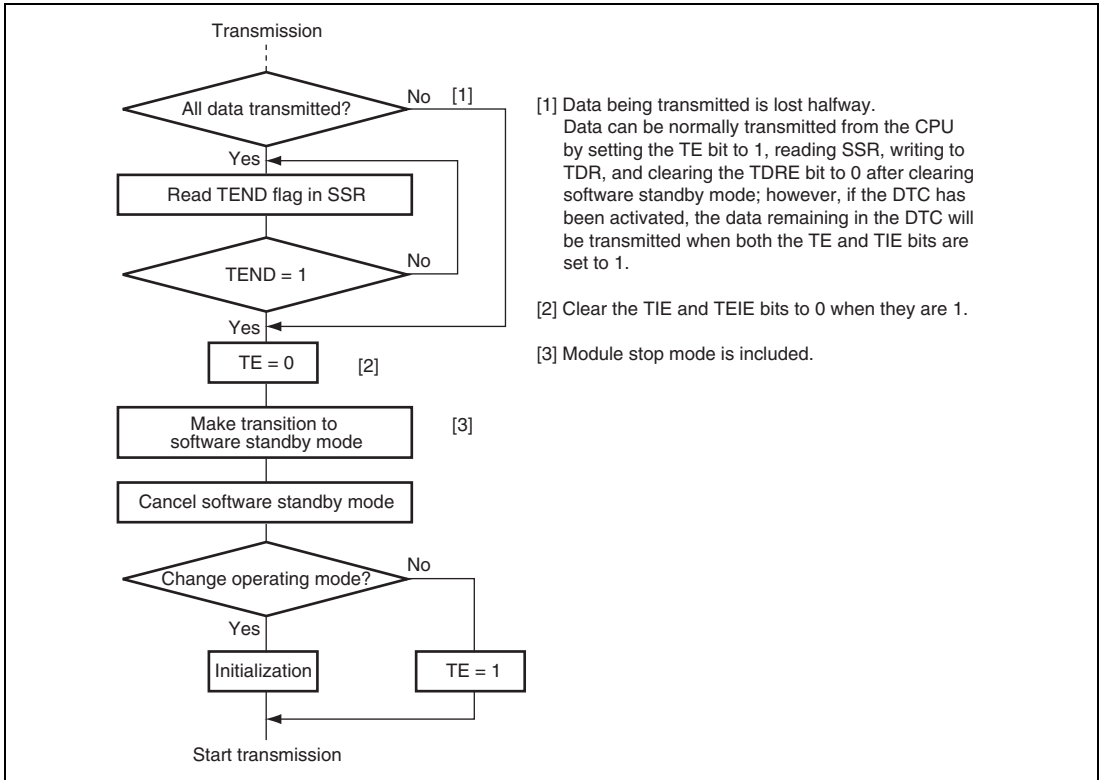
Before making the transition from the transmission mode using DTC transfer to module stop mode or software standby mode, stop all transmit operations ( $TE = TIE = TEIE = 0$ ). Setting the TE and TIE bits to 1 after mode cancellation sets the TXI flag to start transmission using the DTC.

### (2) Reception

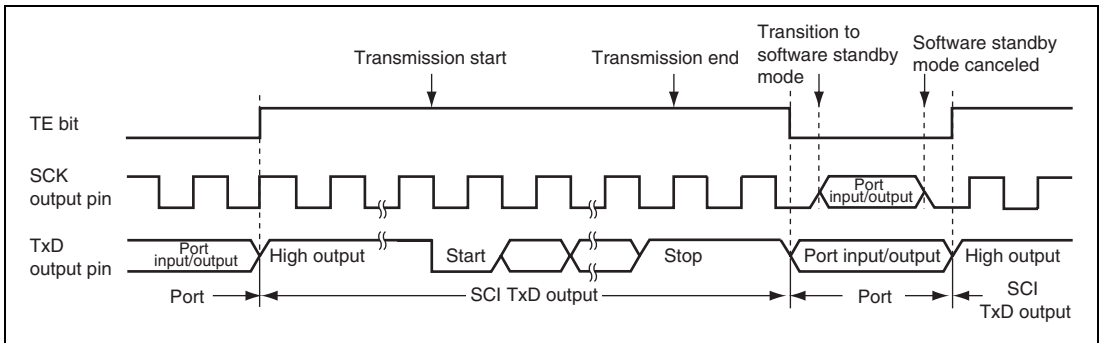
Before making the transition to module stop mode or software standby mode, stop the receive operations ( $RE = 0$ ). RSR, RDR, and SSR are reset. If transition is made during data reception, the data being received will be invalid.

To receive data in the same reception mode after mode cancellation, set the RE bit to 1, and then start reception. To receive data in a different reception mode, initialize the SCI first.

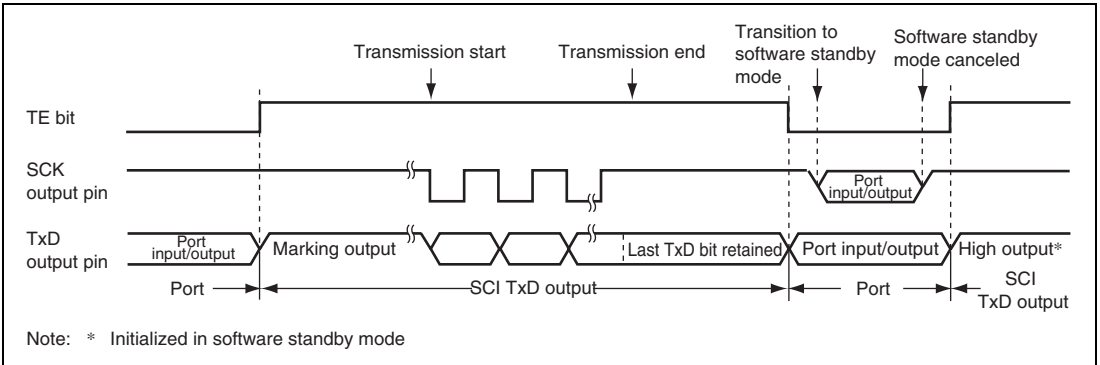
Figure 14.37 shows a sample flowchart for mode transition during reception.



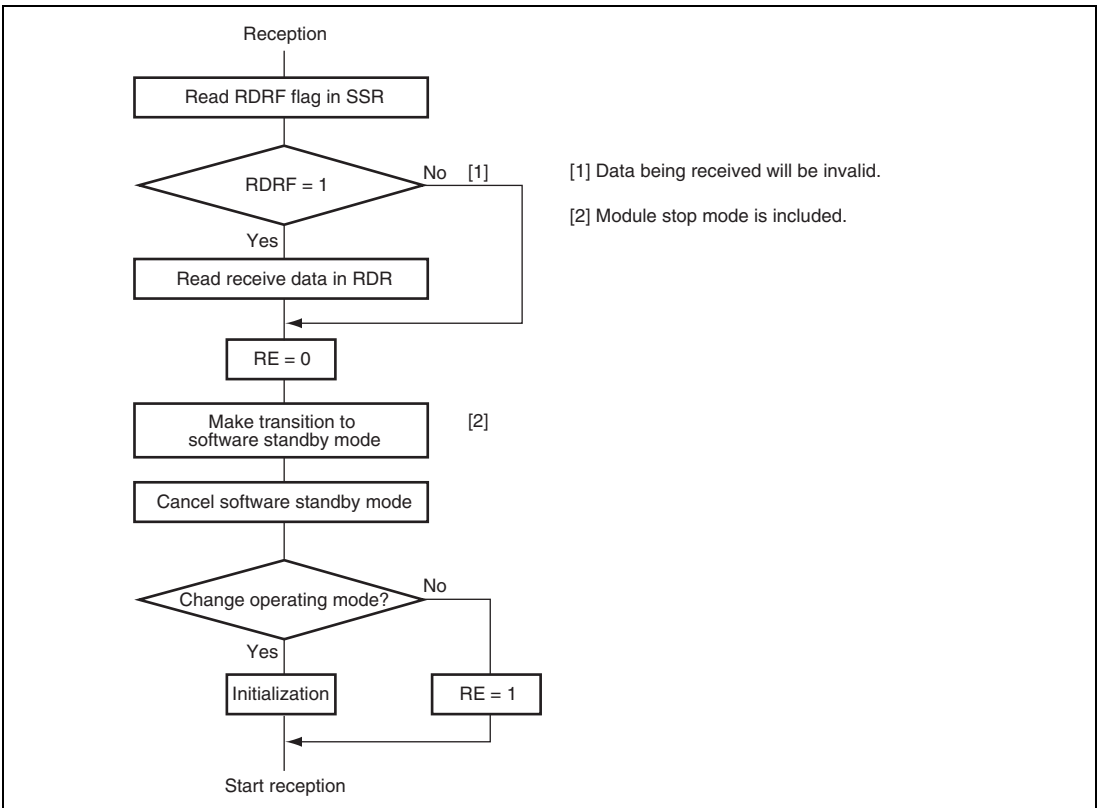
**Figure 14.34 Sample Flowchart for Mode Transition during Transmission**



**Figure 14.35 Port Pin States during Mode Transition (Internal Clock, Asynchronous Transmission)**



**Figure 14.36 Port Pin States during Mode Transition (Internal Clock, Clocked Synchronous Transmission)**



**Figure 14.37 Sample Flowchart for Mode Transition during Reception**





## Section 15 A/D Converter

This LSI includes a successive approximation type 10-bit A/D converter that allows up to eight analog input channels to be selected.

Figure 15.1 shows a block diagram of the A/D converter.

### 15.1 Features

- 10-bit resolution
- Eight input channels
- Conversion time: 7.4  $\mu$ s per channel (at 35-MHz operation)
- Two kinds of operating modes
  - Single mode: Single-channel A/D conversion
  - Scan mode: Continuous A/D conversion on 1 to 4 channels, or 1 to 8 channels
- Eight data registers

A/D conversion results are held in a 16-bit data register for each channel
- Sample and hold function
- Three types of conversion start

Conversion can be started by software, a conversion start trigger by the 16-bit timer pulse unit (TPU) or 8-bit timer (TMR), or an external trigger signal.
- Interrupt source

A/D conversion end interrupt (ADI) request can be generated.
- Module stop mode can be set

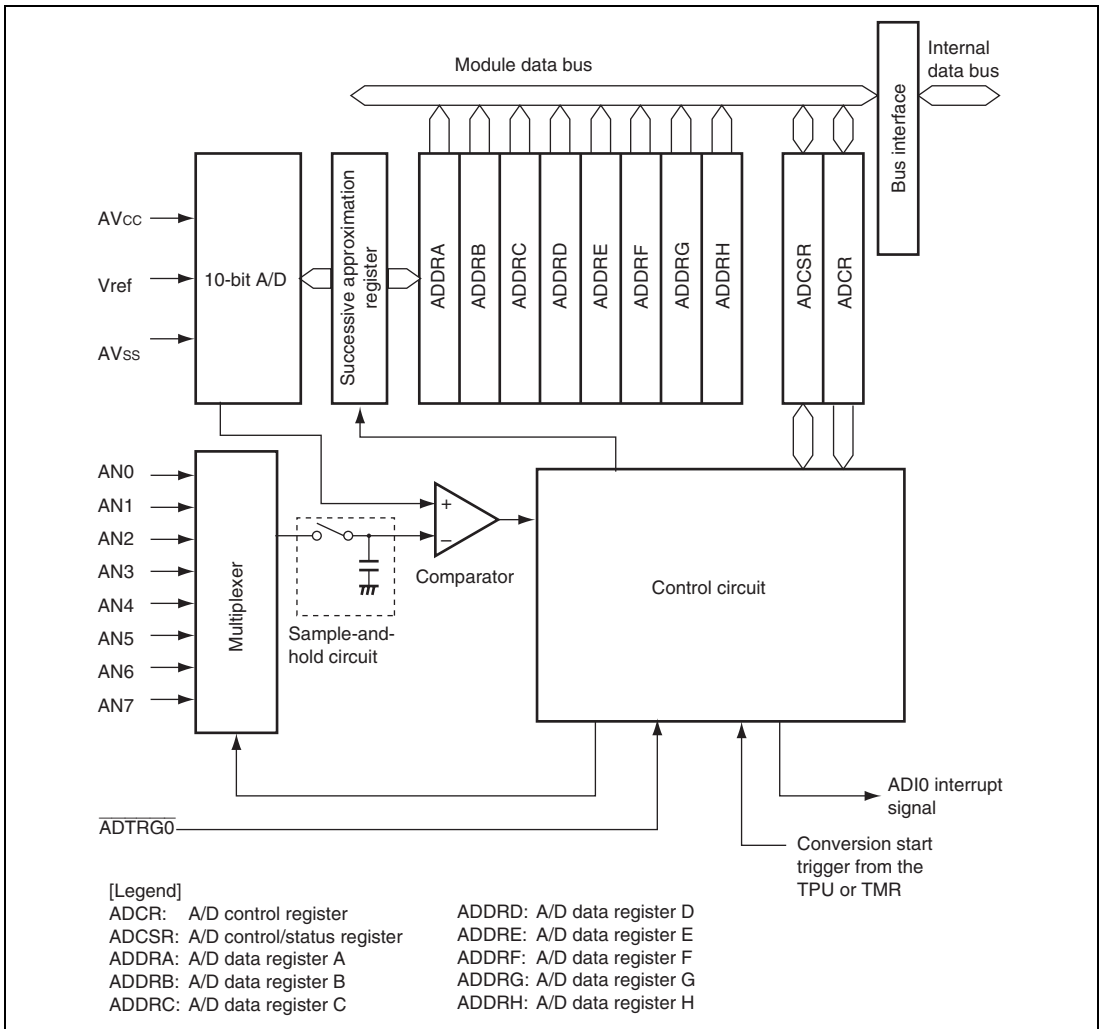


Figure 15.1 Block Diagram of A/D Converter

## 15.2 Input/Output Pins

Table 15.1 shows the pin configuration of the A/D converter.

**Table 15.1 Pin Configuration**

Pin Name	Symbol	I/O	Function
Analog input pin 0	AN0	Input	Analog inputs
Analog input pin 1	AN1	Input	
Analog input pin 2	AN2	Input	
Analog input pin 3	AN3	Input	
Analog input pin 4	AN4	Input	
Analog input pin 5	AN5	Input	
Analog input pin 6	AN6	Input	
Analog input pin 7	AN7	Input	
A/D external trigger input pin	ADTRG0	Input	External trigger input for starting A/D conversion
Analog power supply pin	AV <sub>CC</sub>	Input	Analog block power supply
Analog ground pin	AV <sub>SS</sub>	Input	Analog block ground
Reference voltage pin	Vref	Input	A/D conversion reference voltage

## 15.3 Register Descriptions

The A/D converter has the following registers.

- A/D data register A (ADDRA)
- A/D data register B (ADDRB)
- A/D data register C (ADDRC)
- A/D data register D (ADDRD)
- A/D data register E (ADDRE)
- A/D data register F (ADDRF)
- A/D data register G (ADDRG)
- A/D data register H (ADDRH)
- A/D control/status register (ADCSR)
- A/D control register (ADCR)

### 15.3.1 A/D Data Registers A to H (ADDRA to ADDRH)

There are eight 16-bit read-only ADDR registers, ADDRA to ADDRH, used to store the results of A/D conversion. The ADDR registers, which store a conversion result for each channel, are shown in table 15.2.

The converted 10-bit data is stored in bits 15 to 6. The lower 6-bit data is always read as 0.

The data bus between the CPU and the A/D converter has a 16-bit width. The data can be read directly from the CPU. ADDR must not be accessed in 8-bit units and must be accessed in 16-bit units.

Bit	15	14	13	12	11	10	9	8	7	6	5	4	3	2	1	0
Bit Name																
Initial Value	0	0	0	0	0	0	0	0	0	0	0	0	0	0	0	0
R/W	R	R	R	R	R	R	R	R	R	R	R	R	R	R	R	R

**Table 15.2 Analog Input Channels and Corresponding ADDR Registers**

Analog Input Channel	A/D Data Register Which Stores Conversion Result
AN0	ADDRA
AN1	ADDRB
AN2	ADDRC
AN3	ADDRD
AN4	ADDRE
AN5	ADDRF
AN6	ADDRG
AN7	ADDRH

### 15.3.2 A/D Control/Status Register (ADCSR)

ADCSR controls A/D conversion operations.

Bit	7	6	5	4	3	2	1	0
Bit Name	ADF	ADIE	ADST		CH3	CH2	CH1	CH0
Initial Value	0	0	0	0	0	0	0	0
R/W	R/(W)*	R/W	R/W	R	R/W	R/W	R/W	R/W

Note: \* Only 0 can be written to this bit, to clear the flag.

Bit	Bit Name	Initial Value	R/W	Description
7	ADF	0	R/(W)*	<p>A/D End Flag</p> <p>A status flag that indicates the end of A/D conversion.</p> <p>[Setting conditions]</p> <ul style="list-style-type: none"> <li>When A/D conversion ends in single mode</li> <li>When A/D conversion ends on all specified channels in scan mode</li> </ul> <p>[Clearing conditions]</p> <ul style="list-style-type: none"> <li>When 0 is written after reading ADF = 1 (When the CPU is used to clear this flag by writing 0 while the corresponding interrupt is enabled, be sure to read the flag after writing 0 to it.)</li> <li>When the DTC or DMAC is activated by an ADI interrupt and ADDR is read</li> </ul>
6	ADIE	0	R/W	<p>A/D Interrupt Enable</p> <p>When this bit is set to 1, ADI interrupts by ADF are enabled.</p>
5	ADST	0	R/W	<p>A/D Start</p> <p>Clearing this bit to 0 stops A/D conversion, and the A/D converter enters wait state.</p> <p>Setting this bit to 1 starts A/D conversion. In single mode, this bit is cleared to 0 automatically when A/D conversion on the specified channel ends. In scan mode, A/D conversion continues sequentially on the specified channels until this bit is cleared to 0 by software, a reset, or hardware standby mode.</p>

Bit	Bit Name	Initial Value	R/W	Description
4	—	0	R	Reserved This is a read-only bit and cannot be modified.
3	CH3	0	R/W	Channel Select 3 to 0
2	CH2	0	R/W	Selects analog input together with bits SCANE and SCANS in ADCR.
1	CH1	0	R/W	<ul style="list-style-type: none"> <li>• When SCANE = 0 and SCANS = X               <ul style="list-style-type: none"> <li>0000: AN0</li> <li>0001: AN1</li> <li>0010: AN2</li> <li>0011: AN3</li> <li>0100: AN4</li> <li>0101: AN5</li> <li>0110: AN6</li> <li>0111: AN7</li> <li>1XXX: Setting prohibited</li> </ul> </li> <li>• When SCANE = 1 and SCANS = 0               <ul style="list-style-type: none"> <li>0000: AN0</li> <li>0001: AN0 and AN1</li> <li>0010: AN0 to AN2</li> <li>0011: AN0 to AN3</li> <li>0100: AN4</li> <li>0101: AN4 and AN5</li> <li>0110: AN4 to AN6</li> <li>0111: AN4 to AN7</li> <li>1XXX: Setting prohibited</li> </ul> </li> <li>• When SCANE = 1 and SCANS = 1               <ul style="list-style-type: none"> <li>0000: AN0</li> <li>0001: AN0 and AN1</li> <li>0010: AN0 to AN2</li> <li>0011: AN0 to AN3</li> <li>0100: AN0 to AN4</li> <li>0101: AN0 to AN5</li> <li>0110: AN0 to AN6</li> <li>0111: AN0 to AN7</li> <li>1XXX: Setting prohibited</li> </ul> </li> </ul>
0	CH0	0	R/W	

## [Legend]

X: Don't care

Note: \* Only 0 can be written to this bit, to clear the flag.

### 15.3.3 A/D Control Register (ADCR)

ADCR enables A/D conversion to be started by an external trigger input.

Bit	7	6	5	4	3	2	1	0
Bit Name	TRGS1	TRGS0	SCANE	SCANS	CKS1	CKS0		
Initial Value	0	0	0	0	0	0	0	0
R/W	R/W	R/W	R/W	R/W	R/W	R/W	R	R

Bit	Bit Name	Initial Value	R/W	Description
7	TRGS1	0	R/W	Timer Trigger Select 1 and 0
6	TRGS0	0	R/W	These bits select enabling or disabling of the start of A/D conversion by a trigger signal. 00: A/D conversion start by external trigger is disabled 01: A/D conversion start by external trigger from TPU is enabled 10: A/D conversion start by external trigger from TMR is enabled 11: A/D conversion start by the $\overline{\text{ADTRG0}}$ pin is enabled*
5	SCANE	0	R/W	Scan Mode
4	SCANS	0	R/W	These bits select the A/D conversion operating mode. 0X: Single mode 10: Scan mode. A/D conversion is performed continuously for channels 1 to 4. 11: Scan mode. A/D conversion is performed continuously for channels 1 to 8.
3	CKS1	0	R/W	Clock Select 1 and 0
2	CKS0	0	R/W	These bits set the A/D conversion time. Set bits CKS1 and CKS0 only while A/D conversion is stopped (ADST = 0). 00: A/D conversion time = 530 states (max) 01: A/D conversion time = 266 states (max) 10: A/D conversion time = 134 states (max) 11: A/D conversion time = 68 states (max)

Bit	Bit Name	Initial Value	R/W	Description
1, 0	—	All 0	R	Reserved

These are read-only bits and cannot be modified.

[Legend]

X: Don't care

Note: \* To set A/D conversion to start by the  $\overline{\text{ADTRG0}}$  pin, the DDR bit and ICR bit for the corresponding pin should be set to 0 and 1, respectively. For details, see section 9, I/O Ports.

## 15.4 Operation

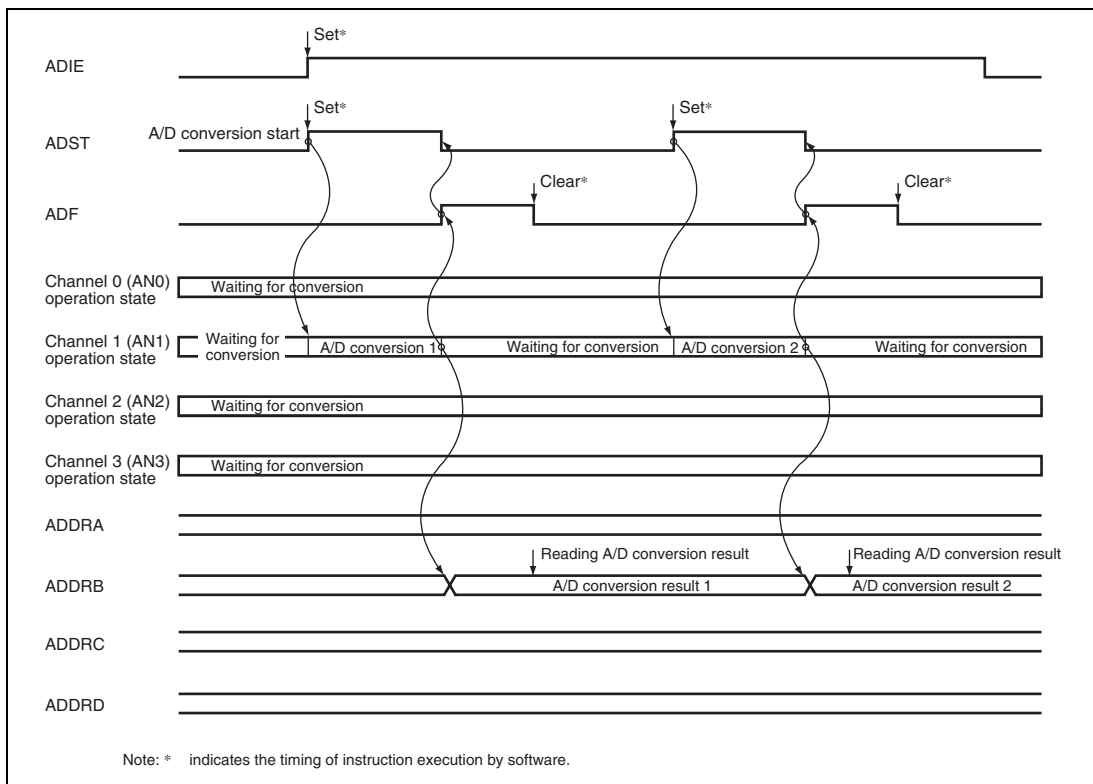
The A/D converter operates by successive approximation with 10-bit resolution. It has two operating modes: single mode and scan mode. When changing the operating mode or analog input channel, to prevent incorrect operation, first clear the ADST bit in ADCSR to 0 to halt A/D conversion. The ADST bit can be set to 1 at the same time as the operating mode or analog input channel is changed.

### 15.4.1 Single Mode

In single mode, A/D conversion is to be performed only once on the analog input of the specified single channel.

1. A/D conversion for the selected channel is started when the ADST bit in ADCSR is set to 1 by software or an external trigger input.
2. When A/D conversion is completed, the A/D conversion result is transferred to the corresponding A/D data register of the channel.
3. When A/D conversion is completed, the ADF bit in ADCSR is set to 1. If the ADIE bit is set to 1 at this time, an ADI interrupt request is generated.
4. The ADST bit remains set to 1 during A/D conversion, and is automatically cleared to 0 when A/D conversion ends. The A/D converter enters wait state. If the ADST bit is cleared to 0 during A/D conversion, A/D conversion stops and the A/D converter enters wait state.





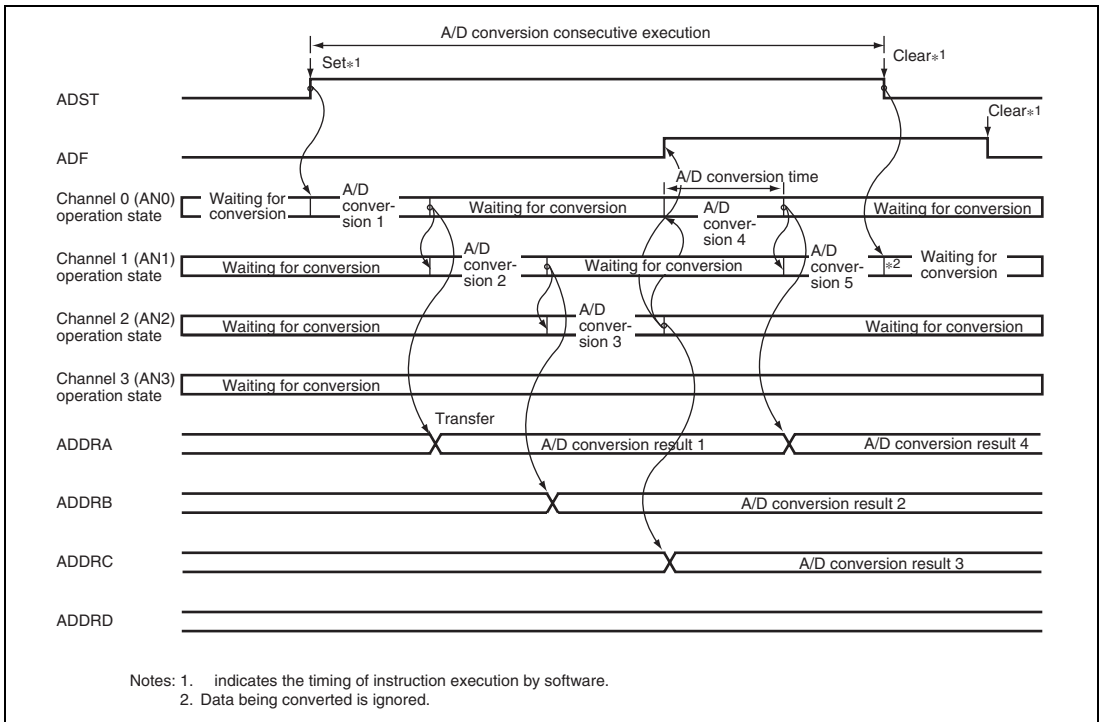
**Figure 15.2 Example of A/D Converter Operation (Single Mode, Channel 1 Selected)**

### 15.4.2 Scan Mode

In scan mode, A/D conversion is to be performed sequentially on the analog inputs of the specified channels up to four or eight channels.

1. When the ADST bit in ADCSR is set to 1 by software, TPU, TMR, or an external trigger input, A/D conversion starts on the first channel in the group. Consecutive A/D conversion on a maximum of four channels (SCANE and SCANS = B'10) or on a maximum of eight channels (SCANE and SCANS = B'11) can be selected. When consecutive A/D conversion is performed on four channels, A/D conversion starts on AN4 when CH3 and CH2 = B'01. When consecutive A/D conversion is performed on eight channels, A/D conversion starts on AN0 when CH3 = B'0.
2. When A/D conversion for each channel is completed, the A/D conversion result is sequentially transferred to the corresponding ADDR of each channel.

3. When A/D conversion of all selected channels is completed, the ADF bit in ADCSR is set to 1. If the ADIE bit is set to 1 at this time, an ADI interrupt request is generated. A/D conversion of the first channel in the group starts again.
4. The ADST bit is not cleared automatically, and steps [2] to [3] are repeated as long as the ADST bit remains set to 1. When the ADST bit is cleared to 0, A/D conversion stops and the A/D converter enters wait state. If the ADST bit is later set to 1, A/D conversion starts again from the first channel in the group.



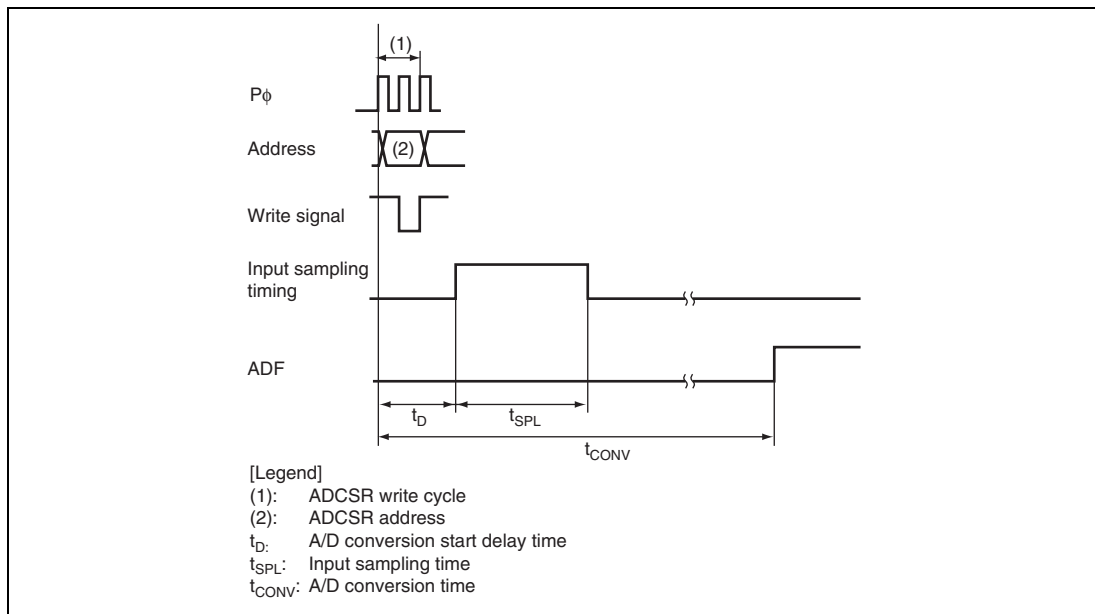
**Figure 15.3 Example of A/D Conversion  
(Scan Mode, Three Channels (AN0 to AN2) Selected)**

### 15.4.3 Input Sampling and A/D Conversion Time

The A/D converter has a built-in sample-and-hold circuit. The A/D converter samples the analog input when the A/D conversion start delay time ( $t_D$ ) passes after the ADST bit in ADCSR is set to 1, then starts A/D conversion. Figure 15.4 shows the A/D conversion timing. Table 15.3 indicates the A/D conversion time.

As indicated in figure 15.4, the A/D conversion time ( $t_{CONV}$ ) includes  $t_D$  and the input sampling time ( $t_{SPL}$ ). The length of  $t_D$  varies depending on the timing of the write access to ADCSR. The total conversion time therefore varies within the ranges indicated in table 15.3.

In scan mode, the values given in table 15.3 apply to the first conversion time. The values given in table 15.4 apply to the second and subsequent conversions. In either case, bits CKS1 and CKS0 in ADCR should be set so that the conversion time is within the ranges indicated by the A/D conversion characteristics.



**Figure 15.4 A/D Conversion Timing**

**Table 15.3 A/D Conversion Characteristics (Single Mode)**

Item	Symbol	CKS1 = 0						CKS1 = 1					
		CKS0 = 0			CKS0 = 1			CKS0 = 0			CKS0 = 1		
		Min.	Typ.	Max.	Min.	Typ.	Max.	Min.	Typ.	Max.	Min.	Typ.	Max.
A/D conversion start delay time	$t_d$	18	—	33	10	—	17	6	—	9	4	—	5
Input sampling time	$t_{SPL}$	—	127	—	—	63	—	—	31	—	—	15	—
A/D conversion time	$t_{CONV}$	515	—	530	259	—	266	131	—	134	67	—	68

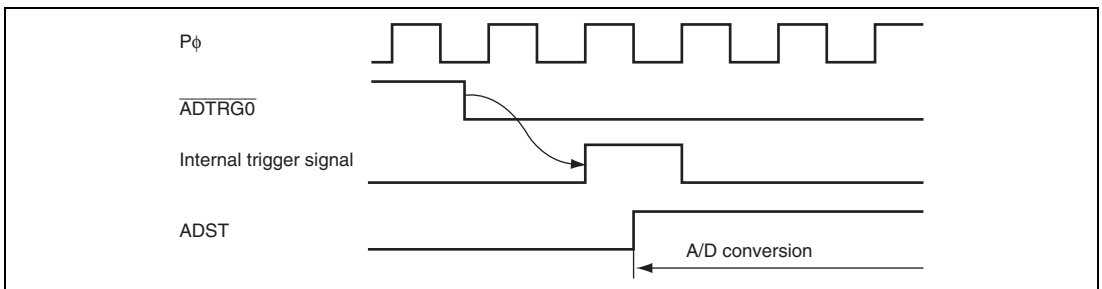
Note: Values in the table are the number of states.

**Table 15.4 A/D Conversion Characteristics (Scan Mode)**

CKS1	CKS0	Conversion Time (Number of States)
0	0	512 (Fixed)
	1	256 (Fixed)
1	0	128 (Fixed)
	1	64 (Fixed)

#### 15.4.4 External Trigger Input Timing

A/D conversion can be externally triggered. When the TRGS1 and TRGS0 bits are set to B'11 in ADCR, an external trigger is input from the  $\overline{ADTRG0}$  pin. A/D conversion starts when the ADST bit in ADCSR is set to 1 on the falling edge of the  $\overline{ADTRG0}$  pin. Other operations, in both single and scan modes, are the same as when the ADST bit has been set to 1 by software. Figure 15.5 shows the timing.

**Figure 15.5 External Trigger Input Timing**

## 15.5 Interrupt Source

The A/D converter generates an A/D conversion end interrupt (ADI) at the end of A/D conversion. Setting the ADIE bit to 1 when the ADF bit in ADCSR is set to 1 after A/D conversion is completed enables ADI interrupt requests. The data transfer controller (DTC) or DMA controller (DMAC) can be activated by an ADI interrupt. Having the converted data read by the DTC or DMAC in response to an ADI interrupt enables continuous conversion to be achieved without imposing a load on software.

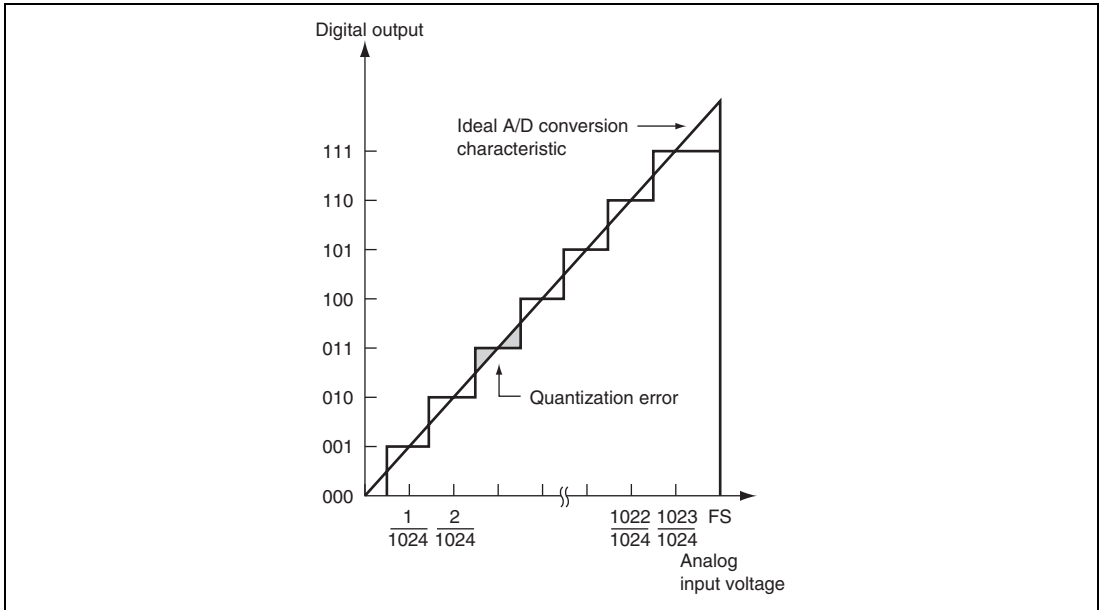
**Table 15.5 A/D Converter Interrupt Source**

Name	Interrupt Source	Interrupt Flag	DTC Activation	DMAC Activation
ADI	A/D conversion end	ADF	Possible	Possible

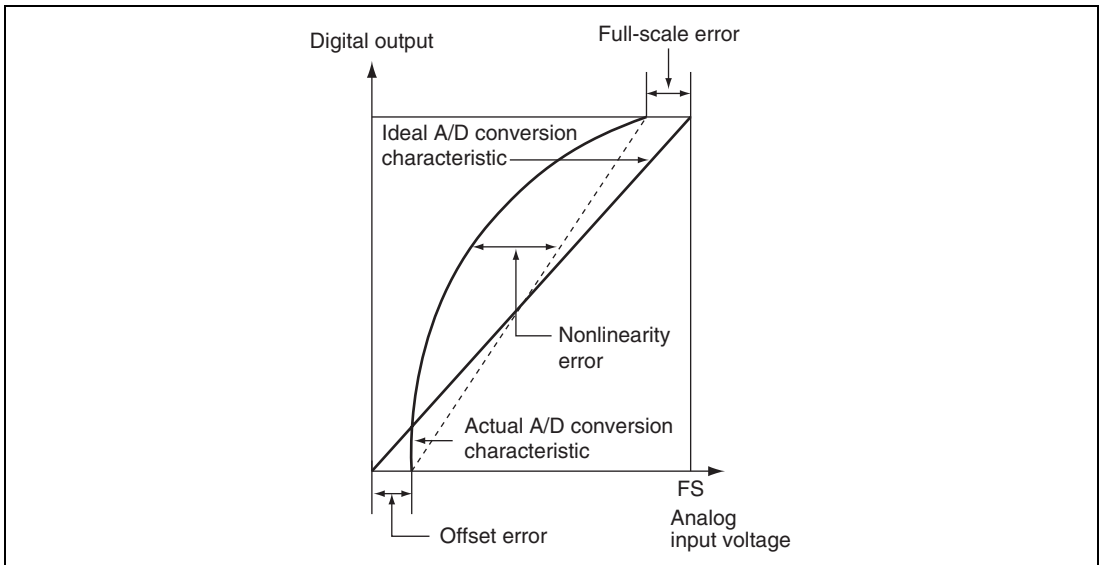
## 15.6 A/D Conversion Accuracy Definitions

This LSI's A/D conversion accuracy definitions are given below.

- Resolution  
The number of A/D converter digital output codes.
- Quantization error  
The deviation inherent in the A/D converter, given by 1/2 LSB (see figure 15.6).
- Offset error  
The deviation of the analog input voltage value from the ideal A/D conversion characteristic when the digital output changes from the minimum voltage value B'000000000 (H'000) to B'000000001 (H'001) (see figure 15.7).
- Full-scale error  
The deviation of the analog input voltage value from the ideal A/D conversion characteristic when the digital output changes from B'111111110 (H'3FE) to B'111111111 (H'3FF) (see figure 15.7).
- Nonlinearity error  
The error with respect to the ideal A/D conversion characteristic between the zero voltage and the full-scale voltage. Does not include the offset error, full-scale error, or quantization error (see figure 15.7).
- Absolute accuracy  
The deviation between the digital value and the analog input value. Includes the offset error, full-scale error, quantization error, and nonlinearity error.



**Figure 15.6 A/D Conversion Accuracy Definitions**



**Figure 15.7 A/D Conversion Accuracy Definitions**

## 15.7 Usage Notes

### 15.7.1 Module Stop Mode Setting

Operation of the A/D converter can be disabled or enabled using the module stop control register. The initial setting is for operation of the A/D converter to be halted. Register access is enabled by clearing module stop mode. For details, see section 19, Power-Down Modes.

### 15.7.2 Permissible Signal Source Impedance

This LSI's analog input is designed so that the conversion accuracy is guaranteed for an input signal for which the signal source impedance is  $10\text{ k}\Omega$  or less. This specification is provided to enable the A/D converter's sample-and-hold circuit input capacitance to be charged within the sampling time; if the sensor output impedance exceeds  $10\text{ k}\Omega$ , charging may be insufficient and it may not be possible to guarantee the A/D conversion accuracy. However, if a large capacitance is provided externally for conversion in single mode, the input load will essentially comprise only the internal input resistance of  $10\text{ k}\Omega$ , and the signal source impedance is ignored. However, since a low-pass filter effect is obtained in this case, it may not be possible to follow an analog signal with a large differential coefficient (e.g.,  $5\text{ mV}/\mu\text{s}$  or greater) (see figure 15.8). When converting a high-speed analog signal or conversion in scan mode, a low-impedance buffer should be inserted.

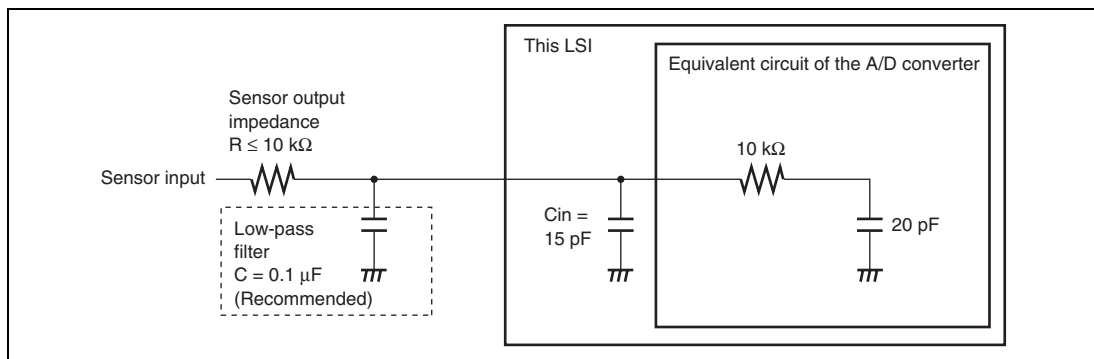


Figure 15.8 Example of Analog Input Circuit

### 15.7.3 Influences on Absolute Accuracy

Adding capacitance results in coupling with GND, and therefore noise in GND may adversely affect absolute accuracy. Be sure to make the connection to an electrically stable GND such as AVss.

Care is also required to insure that filter circuits do not communicate with digital signals on the mounting board, acting as antennas.

### 15.7.4 Setting Range of Analog Power Supply and Other Pins

If the conditions shown below are not met, the reliability of the LSI may be adversely affected.

- Analog input voltage range

The voltage applied to analog input pin ANn during A/D conversion should be in the range  $AV_{SS} \leq V_{AN} \leq V_{ref}$ .

- Relation between AVcc, AVss and Vcc, Vss

As the relationship between AVcc, AVss and Vcc, Vss, set  $AV_{cc} = V_{cc} \pm 0.3 \text{ V}$  and  $AV_{ss} = V_{ss}$ . If the A/D converter is not used, set  $AV_{cc} = V_{cc}$  and  $AV_{ss} = V_{ss}$ .

- Vref setting range

The reference voltage at the Vref pin should be set in the range  $V_{ref} \leq AV_{cc}$ .

### 15.7.5 Notes on Board Design

In board design, digital circuitry and analog circuitry should be as mutually isolated as possible, and layout in which digital circuit signal lines and analog circuit signal lines cross or are in close proximity should be avoided as far as possible. Failure to do so may result in incorrect operation of the analog circuitry due to inductance, adversely affecting A/D conversion values.

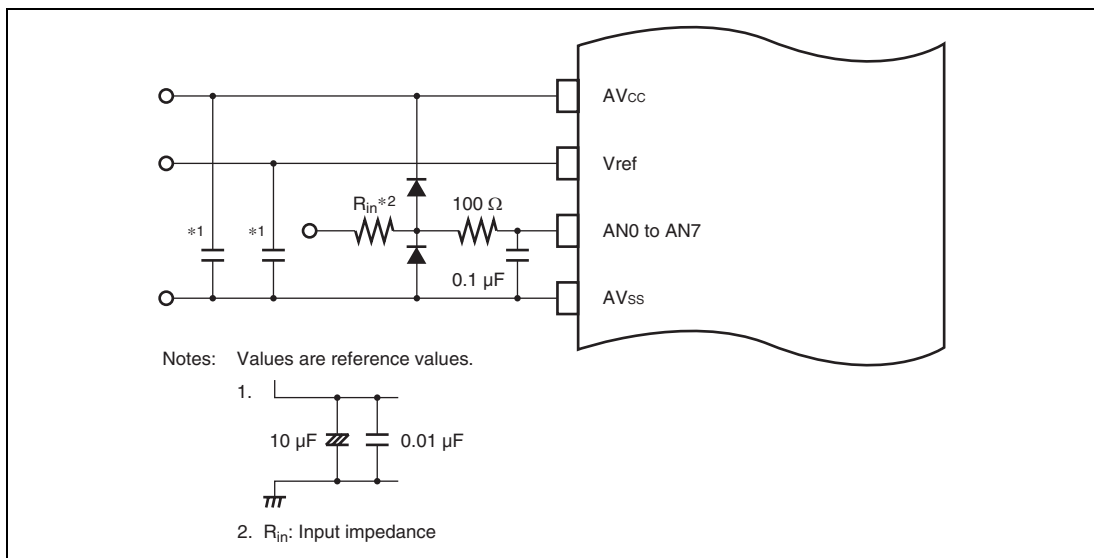
Digital circuitry must be isolated from the analog input pins (AN0 to AN7), analog reference power supply (Vref), and analog power supply (AVcc) by the analog ground (AVss). Also, the analog ground (AVss) should be connected at one point to a stable ground (Vss) on the board.



### 15.7.6 Notes on Noise Countermeasures

A protection circuit connected to prevent damage due to an abnormal voltage such as an excessive surge at the analog input pins (AN0 to AN7) should be connected between AVcc and AVss as shown in figure 15.9. Also, the bypass capacitors connected to AVcc and the filter capacitor connected to the AN0 to AN7 pins must be connected to AVss.

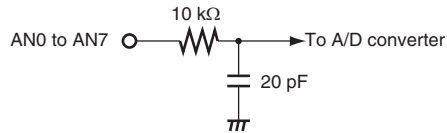
If a filter capacitor is connected, the input currents at the AN0 to AN7 pins are averaged, and so an error may arise. Also, when A/D conversion is performed frequently, as in scan mode, if the current charged and discharged by the capacitance of the sample-and-hold circuit in the A/D converter exceeds the current input via the input impedance ( $R_{in}$ ), an error will arise in the analog input pin voltage. Careful consideration is therefore required when deciding the circuit constants.



**Figure 15.9 Example of Analog Input Protection Circuit**

**Table 15.6 Analog Pin Specifications**

Item	Min	Max	Unit
Analog input capacitance	—	20	pF
Permissible signal source impedance	—	10	kΩ



Note: Values are reference values.

**Figure 15.10 Analog Input Pin Equivalent Circuit**

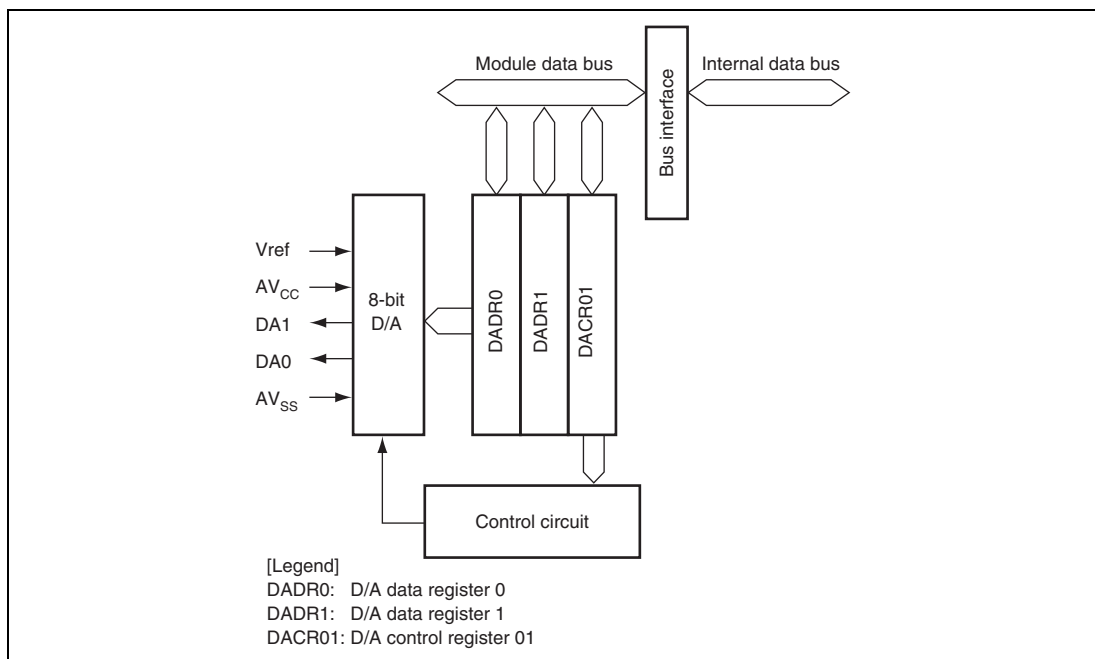
### 15.7.7 A/D Input Hold Function in Software Standby Mode

When this LSI enters software standby mode with A/D conversion enabled, the analog inputs are retained, and the analog power supply current is equal to as during A/D conversion. If the analog power supply current needs to be reduced in software standby mode, clear the ADST, TRGS1, and TRGS0 bits all to 0 to disable A/D conversion.

## Section 16 D/A Converter

### 16.1 Features

- 8-bit resolution
- Two output channels
- Maximum conversion time of 10  $\mu$ s (with 20 pF load)
- Output voltage of 0 V to  $V_{ref}$
- D/A output hold function in software standby mode
- Module stop mode can be set



**Figure 16.1 Block Diagram of D/A Converter**

## 16.2 Input/Output Pins

Table 16.1 shows the pin configuration of the D/A converter.

**Table 16.1 Pin Configuration**

Pin Name	Symbol	I/O	Function
Analog power supply pin	AV <sub>cc</sub>	Input	Analog block power supply
Analog ground pin	AV <sub>ss</sub>	Input	Analog block ground
Reference voltage pin	V <sub>ref</sub>	Input	D/A conversion reference voltage
Analog output pin 0	DA0	Output	Channel 0 analog output
Analog output pin 1	DA1	Output	Channel 1 analog output

## 16.3 Register Descriptions

The D/A converter has the following registers.

- D/A data register 0 (DADR0)
- D/A data register 1 (DADR1)
- D/A control register 01 (DACR01)

### 16.3.1 D/A Data Registers 0 and 1 (DADR0 and DADR1)

DADR is an 8-bit readable/writable register that stores data to which D/A conversion is to be performed. Whenever analog output is enabled, the values in DADR are converted and output to the analog output pins.

Bit	7	6	5	4	3	2	1	0
Bit Name								
Initial Value	0	0	0	0	0	0	0	0
R/W	R/W	R/W	R/W	R/W	R/W	R/W	R/W	R/W

### 16.3.2 D/A Control Register 01 (DACR01)

DACR01 controls the operation of the D/A converter.

Bit	7	6	5	4	3	2	1	0
Bit Name	DAOE1	DAOE0	DAE					
Initial Value	0	0	0	1	1	1	1	1
R/W	R/W	R/W	R/W	R	R	R	R	R

Bit	Bit Name	Initial Value	R/W	Description
7	DAOE1	0	R/W	<p>D/A Output Enable 1</p> <p>Controls D/A conversion and analog output.</p> <p>0: Analog output of channel 1 (DA1) is disabled</p> <p>1: D/A conversion of channel 1 is enabled. Analog output of channel 1 (DA1) is enabled.</p>
6	DAOE0	0	R/W	<p>D/A Output Enable 0</p> <p>Controls D/A conversion and analog output.</p> <p>0: Analog output of channel 0 (DA0) is disabled</p> <p>1: D/A conversion of channel 0 is enabled. Analog output of channel 0 (DA0) is enabled.</p>
5	DAE	0	R/W	<p>D/A Enable</p> <p>Used together with the DAOE0 and DAOE1 bits to control D/A conversion. When this bit is cleared to 0, D/A conversion is controlled independently for channels 0 and 1. When this bit is set to 1, D/A conversion for channels 0 and 1 is controlled together.</p> <p>Output of conversion results is always controlled by the DAOE0 and DAOE1 bits. For details, see table 16.2, Control of D/A Conversion.</p>
4 to 0	—	All 1	R	<p>Reserved</p> <p>These are read-only bits and cannot be modified.</p>

**Table 16.2 Control of D/A Conversion**

Bit 5 DAE	Bit 7 DAOE1	Bit 6 DAOE0	Description
0	0	0	D/A conversion is disabled.
		1	D/A conversion of channel 0 is enabled and D/A conversion of channel 1 is disabled. Analog output of channel 0 (DA0) is enabled and analog output of channel 1 (DA1) is disabled.
	1	0	D/A conversion of channel 0 is disabled and D/A conversion of channel 1 is enabled. Analog output of channel 0 (DA0) is disabled and analog output of channel 1 (DA1) is enabled.
		1	D/A conversion of channels 0 and 1 is enabled. Analog output of channels 0 and 1 (DA0 and DA1) is enabled.
		0	D/A conversion of channels 0 and 1 is enabled. Analog output of channels 0 and 1 (DA0 and DA1) is disabled.
	1	0	1
1			D/A conversion of channels 0 and 1 is enabled. Analog output of channels 0 and 1 (DA0 and DA1) is enabled.
1		0	D/A conversion of channels 0 and 1 is enabled. Analog output of channel 0 (DA0) is disabled and analog output of channel 1 (DA1) is enabled.
		1	D/A conversion of channels 0 and 1 is enabled. Analog output of channels 0 and 1 (DA0 and DA1) is enabled.

## 16.4 Operation

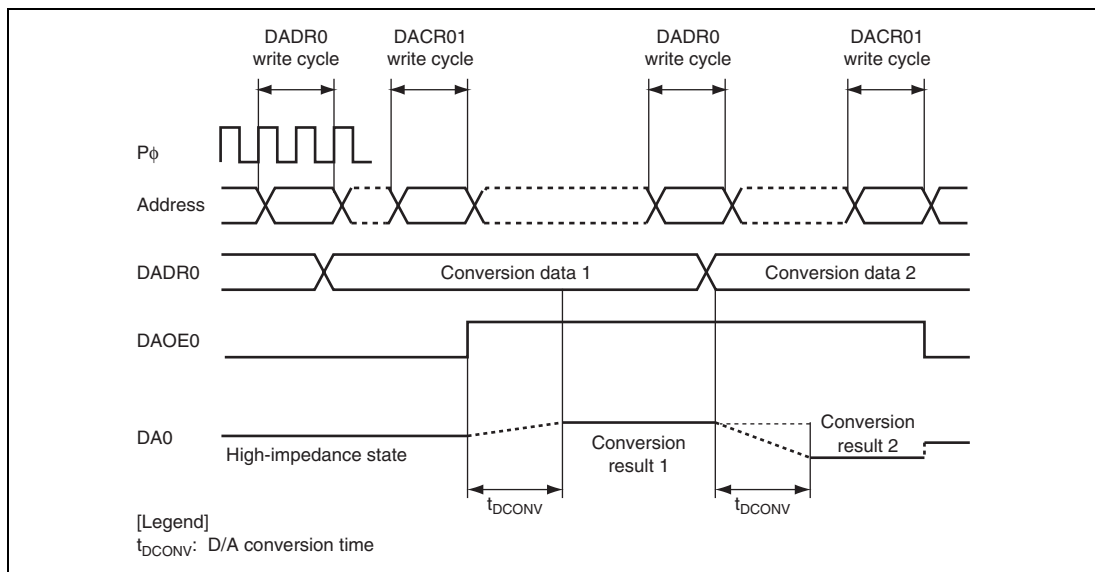
The D/A converter includes D/A conversion circuits for two channels, each of which can operate independently. When the DAOE bit in DACR01 is set to 1, D/A conversion is enabled and the conversion result is output.

An operation example of D/A conversion on channel 0 is shown below. Figure 16.2 shows the timing of this operation.

1. Write the conversion data to DADR0.
2. Set the DAOE0 bit in DACR01 to 1 to start D/A conversion. The conversion result is output from the analog output pin DA0 after the conversion time  $t_{\text{DCONV}}$  has elapsed. The conversion result continues to be output until DADR0 is written to again or the DAOE0 bit is cleared to 0. The output value is expressed by the following formula:

$$\text{Contents of DADR}/256 \times V_{\text{ref}}$$

3. If DADR0 is written to again, the conversion is immediately started. The conversion result is output after the conversion time  $t_{\text{DCONV}}$  has elapsed.
4. If the DAOE0 bit is cleared to 0, analog output is disabled.



**Figure 16.2 Example of D/A Converter Operation**

## 16.5 Usage Notes

### 16.5.1 Module Stop Mode Setting

Operation of the D/A converter can be disabled or enabled using the module stop control register. The initial setting is for operation of the D/A converter to be halted. Register access is enabled by clearing module stop mode. For details, see section 19, Power-Down Modes.

### 16.5.2 D/A Output Hold Function in Software Standby Mode

When this LSI enters software standby mode with D/A conversion enabled, the D/A outputs are retained, and the analog power supply current is equal to as during D/A conversion. If the analog power supply current needs to be reduced in software standby mode, clear the ADST, TRGS1, and TRGS0 bits all to 0 to disable D/A conversion.



## Section 17 RAM

This LSI has a 40-kbyte on-chip high-speed static RAM. The RAM is connected to the CPU by a 32-bit data bus, enabling one-state access by the CPU to all byte data, word data, and longword data.

The on-chip RAM can be enabled or disabled by means of the RAME bit in the system control register (SYSCR). For details on SYSCR, refer to section 3.2.2, System Control Register (SYSCR).

<b>Product Classification</b>		<b>RAM Size</b>	<b>RAM Addresses</b>
ROMless	H8SX/1651C	40 kbytes	H'FF2000 to H'FFBFFF



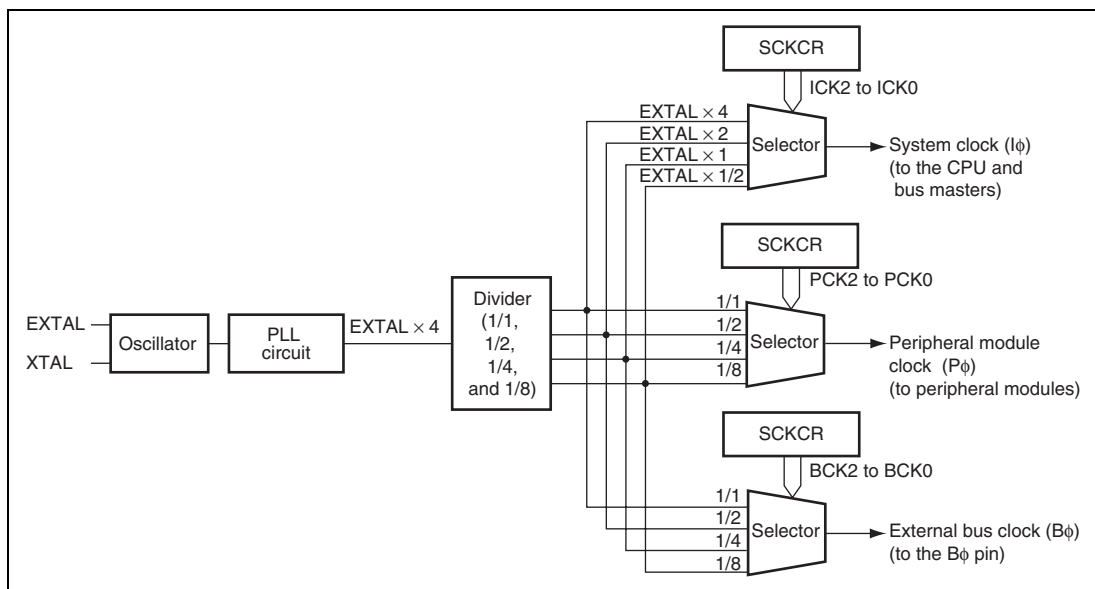
## Section 18 Clock Pulse Generator

This LSI has an on-chip clock pulse generator (CPG) that generates the system clock ( $I\phi$ ), peripheral module clock ( $P\phi$ ), and external bus clock ( $B\phi$ ).

The clock pulse generator consists of an oscillator, PLL (Phase Locked Loop) circuit, divider, and selector circuit. Figure 18.1 shows a block diagram of the clock pulse generator.

Clock frequencies can be changed by the PLL circuit and divider in the CPG. Changing the system clock control register (SCKCR) setting by software can change the clock frequencies.

This LSI supports three types of clocks: a system clock provided to the CPU and bus masters, a peripheral module clock provided to the peripheral modules, and an external bus clock provided to the external bus. These clocks can be specified independently. Note, however, that the frequencies of the peripheral clock and external bus clock are lower than that of the system clock.



**Figure 18.1 Block Diagram of Clock Pulse Generator**

## 18.1 Register Description

The clock pulse generator has the following register.

- System clock control register (SCKCR)

### 18.1.1 System Clock Control Register (SCKCR)

SCKCR controls B $\phi$  clock output and frequencies of the system, peripheral module, and external bus clocks, also selects the B $\phi$  clock to be output.

Bit	15	14	13	12	11	10	9	8
Bit Name	PSTOP1	—	POSEL1	—	—	ICK2	ICK1	ICK0
Initial Value	0	0	0	0	0	0	1	0
R/W	R/W	R/W	R/W	R/W	R/W	R/W	R/W	R/W
Bit	7	6	5	4	3	2	1	0
Bit Name	—	PCK2	PCK1	PCK0	—	BCK2	BCK1	BCK0
Initial Value	0	0	1	0	0	0	1	0
R/W	R/W	R/W	R/W	R/W	R/W	R/W	R/W	R/W

Bit	Bit Name	Initial Value	R/W	Description
15	PSTOP1	0	R/W	B $\phi$ Output Select Controls the $\phi$ output on PA7. <ul style="list-style-type: none"> <li>• Normal operation</li> </ul> 0: B $\phi$ output 1: Fixed high
14	—	0	R/W	Reserved This bit is always read as 0. The write value should always be 0.
13	POSEL1	0	R/W	$\phi$ Output Select 1 Controls the $\phi$ output on PA7. 0: External bus clock (B $\phi$ ) 1: Setting prohibited

Bit	Bit Name	Initial Value	R/W	Description	
12, 11	—	All 0	R/W	Reserved These bits are always read as 0. The write value should always be 0.	
10	ICK2	0	R/W	System Clock ( $I\phi$ ) Select	
9	ICK1	1	R/W	These bits select the frequency of the system clock provided to the CPU, DTC, and DMAC. The ratio to the input clock is as follows: 000: $\times 4$ 001: $\times 2$ 010: $\times 1$ 011: $\times 1/2$ 1XX: Setting prohibited The frequencies of the peripheral module clock and external bus clock change to the same frequency as the system clock if the frequency of the system clock is lower than that of the two clocks.	
8	ICK0	0	R/W		
7	—	0	R/W		Reserved This bit is always read as 0. The write value should always be 0.
6	PCK2	0	R/W		Peripheral Module Clock ( $P\phi$ ) Select
5	PCK1	1	R/W		These bits select the frequency of the peripheral module clock. The ratio to the input clock is as follows: 000: $\times 4$ 001: $\times 2$ 010: $\times 1$ 011: $\times 1/2$ 1XX: Setting prohibited The frequency of the peripheral module clock should be lower than that of the system clock. Though these bits can be set so as to make the frequency of the peripheral module clock higher than that of the system clock, the clocks will have the same frequency in reality.
4	PCK0	0	R/W		
3	—	0	R/W	Reserved This bit is always read as 0. The write value should always be 0.	

Bit	Bit Name	Initial Value	R/W	Description
2	BCK2	0	R/W	External Bus Clock (B $\phi$ ) Select
1	BCK1	1	R/W	These bits select the frequency of the external bus clock. The ratio to the input clock is as follows: 000: $\times 4$ 001: $\times 2$ 010: $\times 1$ 011: $\times 1/2$ 1XX: Setting prohibited  The frequency of the external bus clock should be lower than that of the system clock. Though these bits can be set so as to make the frequency of the external bus clock higher than that of the system clock, the clocks will have the same frequency in reality.
0	BCK0	0	R/W	

---

**[Legend]**

X: Don't care

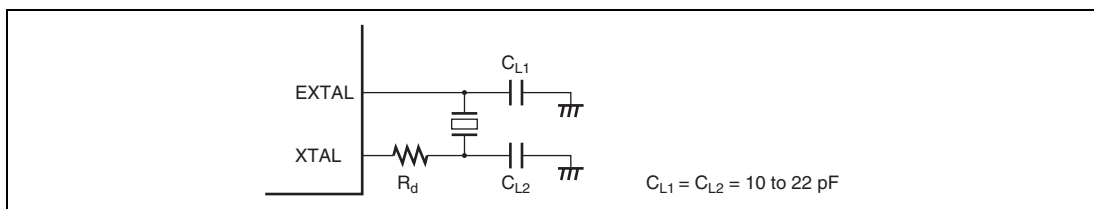
## 18.2 Oscillator

Clock pulses can be supplied by connecting a crystal resonator, or by input of an external clock.

### 18.2.1 Connecting Crystal Resonator

A crystal resonator can be connected as shown in the example in figure 18.2. Select the damping resistance  $R_d$  according to table 18.1. An AT-cut parallel-resonance type should be used.

When the clock is provided by connecting a crystal resonator, a crystal resonator having a frequency of 8 to 18 MHz should be connected.

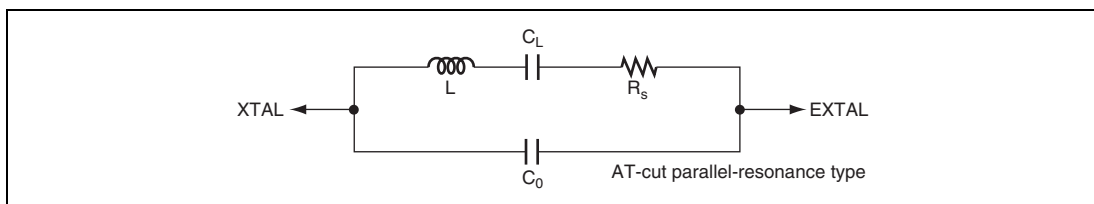


**Figure 18.2 Connection of Crystal Resonator (Example)**

**Table 18.1 Damping Resistance Value**

Frequency (MHz)	8	12	18
$R_d$ ( $\Omega$ )	200	0	0

Figure 18.3 shows an equivalent circuit of the crystal resonator. Use a crystal resonator that has the characteristics shown in table 18.2.



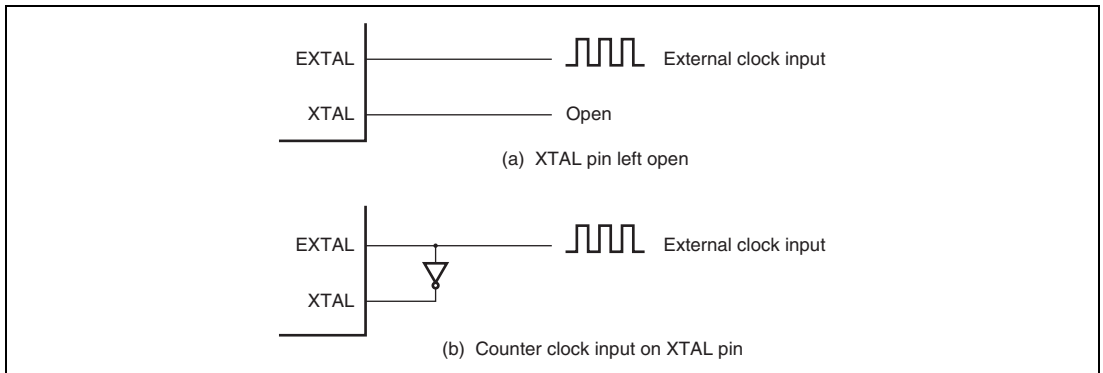
**Figure 18.3 Crystal Resonator Equivalent Circuit**

**Table 18.2 Crystal Resonator Characteristics**

Frequency (MHz)	8	12	18
$R_s$ Max. ( $\Omega$ )	80	60	40
$C_0$ Max. (pF)	7		

### 18.2.2 External Clock Input

An external clock signal can be input as shown in the examples in figure 18.4. If the XTAL pin is left open, make sure that parasitic capacitance is no more than 10 pF. When the counter clock is input to the XTAL pin, make sure that the external clock is held high in standby mode.

**Figure 18.4 External Clock Input (Examples)**

For the input conditions of the external clock, refer to tables 21.4 and 21.14 in section 21, Electrical Characteristics. The input external clock should be from 8 to 18 MHz.

## 18.3 PLL Circuit

The PLL circuit has the function of multiplying the frequency of the clock from the oscillator by a factor of 4. The frequency multiplication factor is fixed. The phase difference is controlled so that the timing of the rising edge of the internal clock is the same as that of the EXTAL pin signal.

## 18.4 Frequency Divider

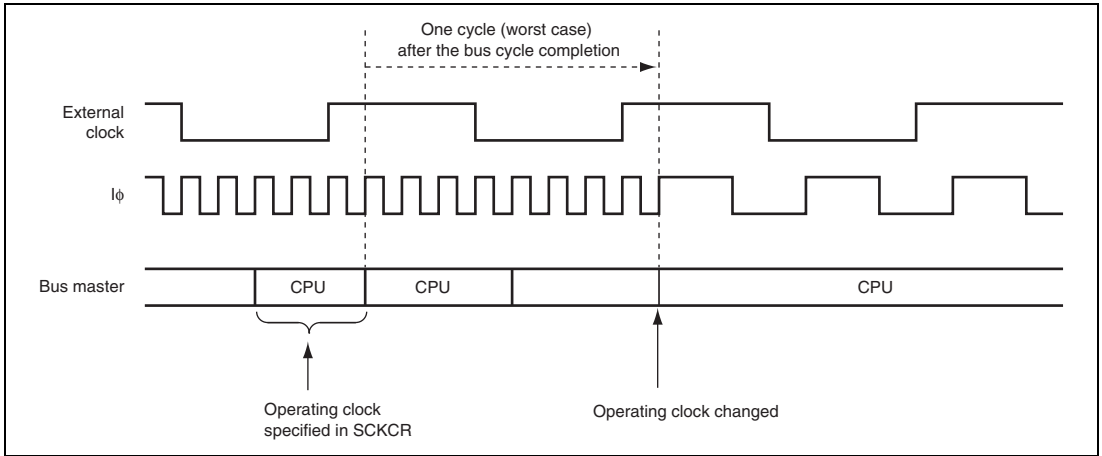
The frequency divider divides the PLL clock to generate a 1/2, 1/4, or 1/8 clock. After bits ICK2 to ICK0, PCK 2 to PCK0, and BCK2 to BCK0 are modified, this LSI operates at the modified frequency.



## 18.5 Usage Notes

### 18.5.1 Notes on Clock Pulse Generator

1. The following points should be noted since the frequency of  $\phi$  ( $I\phi$ : system clock,  $P\phi$ : peripheral module clock,  $B\phi$ : external bus clock) supplied to each module changes according to the setting of SCKCR.  
Select a clock division ratio that is within the operation guaranteed range of clock cycle time  $t_{\text{cyc}}$  shown in the AC timing of electrical characteristics.  
The setting should be within the operation guaranteed range of  $8 \text{ MHz} \leq I\phi \leq 50 \text{ MHz}$ ,  $8 \text{ MHz} \leq P\phi \leq 35 \text{ MHz}$ , and  $8 \text{ MHz} \leq B\phi \leq 50 \text{ MHz}$ .
2. All the on-chip peripheral modules (except for the DTC) operate on the  $P\phi$ . Therefore, note that the time processing of modules such as a timer and SCI differs before and after changing the clock division ratio.  
In addition, wait time for clearing software standby mode differs by changing the clock division ratio. For details, see section 19.5.3, Setting Oscillation Settling Time after Clearing Software Standby Mode.
3. The relationship among the system clock, peripheral module clock, and external bus clock is  $I\phi \geq P\phi$  and  $I\phi \geq B\phi$ . In addition, the system clock setting has the highest priority. Accordingly,  $P\phi$  or  $B\phi$  may have the frequency set by bits ICK2 to ICK0 regardless of the settings of bits PCK2 to PCK0 or BCK2 to BCK0.
4. Figure 18.5 shows the clock modification timing. After a value is written to SCKCR, this LSI waits for the current bus cycle to complete. After the current bus cycle completes, each clock frequency will be modified within one cycle (worst case) of the external input clock.



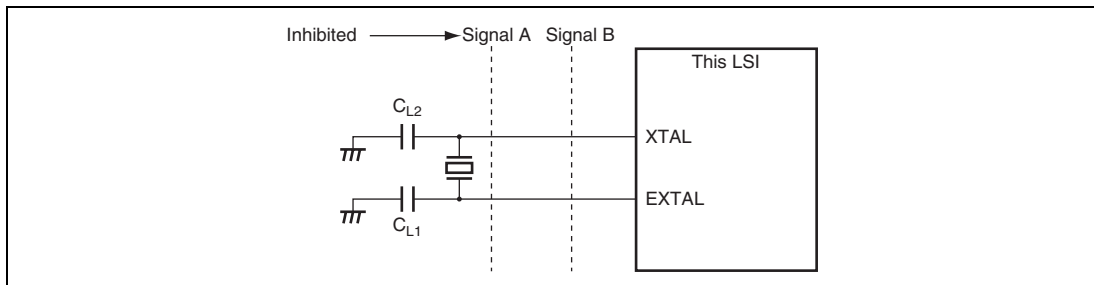
**Figure 18.5 Clock Modification Timing**

### 18.5.2 Notes on Resonator

Since various characteristics related to the resonator are closely linked to the user's board design, thorough evaluation is necessary on the user's part, using the resonator connection examples shown in this section as a reference. As the parameters for the resonator will depend on the floating capacitance of the resonator and the mounting circuit, the parameters should be determined in consultation with the resonator manufacturer. The design must ensure that a voltage exceeding the maximum rating is not applied to the resonator pin.

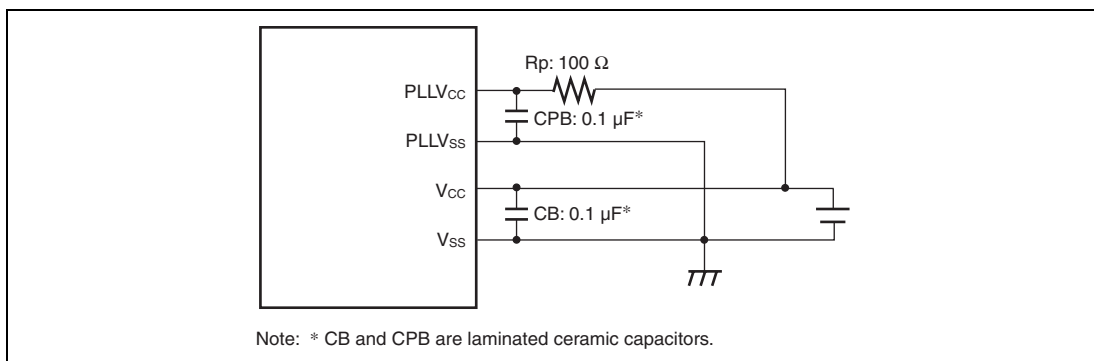
### 18.5.3 Notes on Board Design

When using the crystal resonator, place the crystal resonator and its load capacitors as close as possible to the XTAL and EXTAL pins. Other signal lines should be routed away from the oscillation circuit as shown in figure 18.6 to prevent induction from interfering with correct oscillation.



**Figure 18.6 Note on Board Design for Oscillation Circuit**

Figure 18.7 shows the external circuitry recommended for the PLL circuit. Separate PLLVcc and PLLVss from the other Vcc and Vss lines at the board power supply source, and be sure to insert bypass capacitors CPB and CB close to the pins.



**Figure 18.7 Recommended External Circuitry for PLL Circuit**



## Section 19 Power-Down Modes

This LSI has power consumption reduction functions, such as multi-clock function, module stop function, and transition function to power-down mode.

### 19.1 Features

- Multi-clock function  
The frequency division ratio is settable independently for the system clock, peripheral module clock, and external bus clock.
- Module stop function  
The functions for each peripheral module can be stopped to make a transition to a power-down mode.
- Transition function to power-down mode  
Transition to a power-down mode is possible to stop the CPU, peripheral modules, and oscillator.
- Four power-down modes  
Sleep mode  
All-module-clock-stop mode  
Software standby mode  
Hardware standby mode

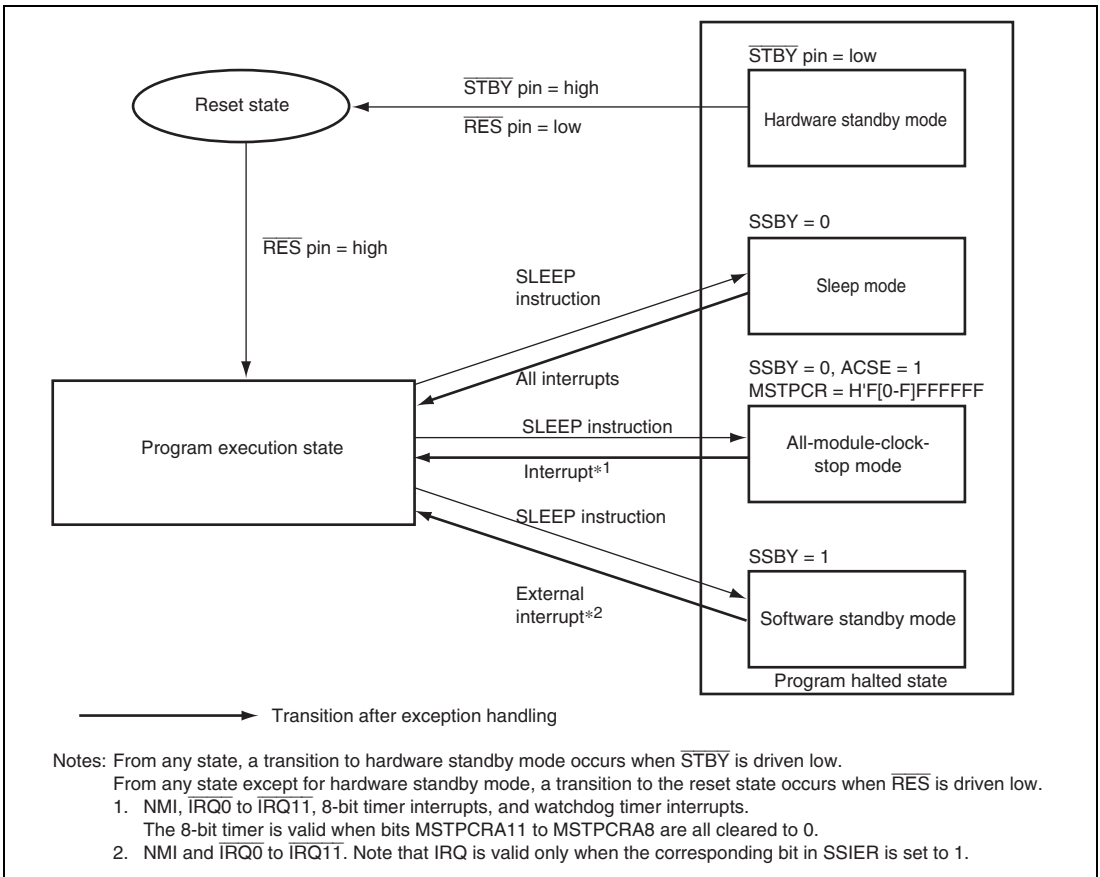
Table 19.1 shows conditions for making a transition to a power-down mode, states of the CPU and peripheral modules, and clearing method for each mode. After the reset state, since this LSI operates in normal program execution state, the modules other than the DTC or DMAC are stopped.

**Table 19.1 Operating States**

<b>Operating State</b>	<b>Sleep Mode</b>	<b>All-Module-Clock-Stop Mode</b>	<b>Software Standby Mode</b>	<b>Hardware Standby Mode</b>
Transition condition	Control register + instruction	Control register + instruction	Control register + instruction	Pin input
Cancellation method	Interrupt	Interrupt* <sup>2</sup>	External interrupt	
Oscillator	Functioning	Functioning	Halted	Halted
CPU	Halted (retained)	Halted (retained)	Halted (retained)	Halted
Watchdog timer	Functioning	Functioning	Halted (retained)	Halted
8-bit timer	Functioning	Functioning* <sup>4</sup>	Halted (retained)	Halted
Other peripheral modules	Functioning	Halted* <sup>1</sup>	Halted* <sup>1</sup>	Halted* <sup>3</sup>
I/O port	Functioning	Retained	Retained	Hi-Z

Notes: "Halted (retained)" in the table means that the internal register values are retained and internal operations are suspended.

1. SCI enters the reset state, and other peripheral modules retain their states.
2. External interrupt and some internal interrupts (8-bit timer and watchdog timer)
3. All peripheral modules enter the reset state.
4. "Functioning" or "Halted" is selectable through the setting of bits MSTPA11 to MSTPA8 in MSTPCRA. However, pin output is disabled even when "Functioning" is selected.



**Figure 19.1 Mode Transitions**

## 19.2 Register Descriptions

The registers related to the power-down modes are shown below. For details on the system clock control register (SCKCR), see section 18.1.1, System Clock Control Register (SCKCR).

- Standby control register (SBYCR)
- Module stop control register A (MSTPCRA)
- Module stop control register B (MSTPCRB)
- Module stop control register C (MSTPCRC)

### 19.2.1 Standby Control Register (SBYCR)

SBYCR controls software standby mode.

Bit	15	14	13	12	11	10	9	8
Bit Name	SSBY	OPE		STS4	STS3	STS2	STS1	STS0
Initial Value	0	1	0	0	1	1	1	1
R/W	R/W	R/W	R/W	R/W	R/W	R/W	R/W	R/W
Bit	7	6	5	4	3	2	1	0
Bit Name	SLPIE							
Initial Value	0	0	0	0	0	0	0	0
R/W	R/W	R/W	R/W	R/W	R/W	R/W	R/W	R/W

Bit	Bit Name	Initial Value	R/W	Description
15	SSBY	0	R/W	<p>Software Standby</p> <p>Specifies the transition mode after executing the SLEEP instruction.</p> <p>0: Shifts to sleep mode after the SLEEP instruction is executed</p> <p>1: Shifts to software standby mode after the SLEEP instruction is executed</p> <p>This bit does not change when clearing the software standby mode by using external interrupts and shifting to normal operation. For clearing, write 0 to this bit. When the WDT is used as the watchdog timer, the setting of this bit is disabled. In this case, a transition is always made to sleep mode or all-module-clock-stop mode after the SLEEP instruction is executed. When the SLPIE bit is set to 1, this bit should be cleared to 0.</p>
14	OPE	1	R/W	<p>Output Port Enable</p> <p>Specifies whether the output of the address bus and bus control signals (<math>\overline{CS0}</math> to <math>\overline{CS7}</math>, <math>\overline{AS}</math>, <math>\overline{RD}</math>, <math>\overline{HWR}</math>, and <math>\overline{LWR}</math>) is retained or set to the high-impedance state in software standby mode.</p> <p>0: In software standby mode, address bus and bus control signals are high-impedance</p> <p>1: In software standby mode, address bus and bus control signals retain output state</p>



Bit	Bit Name	Initial Value	R/W	Description
13	—	0	R/W	Reserved This bit is always read as 0. The write value should always be 0.
12	STS4	0	R/W	Standby Timer Select 4 to 0
11	STS3	1	R/W	These bits select the time the MCU waits for the clock to settle when software standby mode is cleared by an external interrupt. With a crystal resonator, refer to table 19.2 and make a selection according to the operating frequency so that the standby time is at least equal to the oscillation settling time. With an external clock, a PLL circuit settling time is necessary. Refer to table 19.2 to set the standby time.  While oscillation is being settled, the timer is counted on the P $\phi$ clock frequency. Careful consideration is required in multi-clock mode.  00000: Reserved 00001: Reserved 00010: Reserved 00011: Reserved 00100: Reserved 00101: Standby time = 64 states 00110: Standby time = 512 states 00111: Standby time = 1024 states 01000: Standby time = 2048 states 01001: Standby time = 4096 states 01010: Standby time = 16384 states 01011: Standby time = 32768 states 01100: Standby time = 65536 states 01101: Standby time = 131072 states 01110: Standby time = 262144 states 01111: Standby time = 524288 states 1XXXX: Reserved
10	STS2	1	R/W	
9	STS1	1	R/W	
8	STS0	1	R/W	

Bit	Bit Name	Initial Value	R/W	Description
7	SLPIE	0	R/W	<p>Sleep Instruction Exception Handling Enable</p> <p>Selects whether the execution of a SLEEP instruction causes sleep instruction exception handling, with the transition to power-down mode inhibited, or causes a transition to power-down mode.</p> <p>0: The execution of a SLEEP instruction does not initiate sleep instruction exception handling and causes a transition to power-down mode.</p> <p>1: The execution of a SLEEP instruction initiates sleep instruction exception handling and does not cause a transition to power-down mode. After execution of the sleep instruction exception handling, this bit remains set to 1. Clear the bit by writing 0 to this bit.</p>
6 to 0	—	All 0	R/W	<p>Reserved</p> <p>These bits are always read as 0. The write value should always be 0.</p>

Note: X: Don't care

## 19.2.2 Module Stop Control Registers A, B (MSTPCRA, MSTPCRB)

MSTPCRA and MSTPCRB control module stop mode. Setting a bit to 1 makes the corresponding module enter module stop mode, while clearing the bit to 0 clears module stop mode.

### • MSTPCRA

Bit	15	14	13	12	11	10	9	8
Bit Name	ACSE	MSTPA14	MSTPA13	MSTPA12	MSTPA11	MSTPA10	MSTPA9	MSTPA8
Initial Value	0	0	0	0	1	1	1	1
R/W	R/W	R/W	R/W	R/W	R/W	R/W	R/W	R/W

Bit	7	6	5	4	3	2	1	0
Bit Name	MSTPA7	MSTPA6	MSTPA5	MSTPA4	MSTPA3	MSTPA2	MSTPA1	MSTPA0
Initial Value	1	1	1	1	1	1	1	1
R/W	R/W	R/W	R/W	R/W	R/W	R/W	R/W	R/W

- **MSTPCRB**

Bit	15	14	13	12	11	10	9	8
Bit Name	MSTPB15	MSTPB14	MSTPB13	MSTPB12	MSTPB11	MSTPB10	MSTPB9	MSTPB8
Initial Value	1	1	1	1	1	1	1	1
R/W	R/W	R/W	R/W	R/W	R/W	R/W	R/W	R/W
Bit	7	6	5	4	3	2	1	0
Bit Name	MSTPB7	MSTPB6	MSTPB5	MSTPB4	MSTPB3	MSTPB2	MSTPB1	MSTPB0
Initial Value	1	1	1	1	1	1	1	1
R/W	R/W	R/W	R/W	R/W	R/W	R/W	R/W	R/W

- **MSTPCRA**

Bit	Bit Name	Initial Value	R/W	Module
15	ACSE	0	R/W	All-Module-Clock-Stop Mode Enable Enables/disables all-module-clock-stop mode for reducing current consumption by stopping the bus controller and I/O ports operations when the CPU executes the SLEEP instruction after module stop mode has been set for all the on-chip peripheral modules controlled by MSTPCR. 0: All-module-clock-stop mode disabled 1: All-module-clock-stop mode enabled
14	MSTPA14	0	R/W	Reserved This bit is always read as 0. The write value should always be 0.
13	MSTPA13	0	R/W	DMA controller (DMAC)
12	MSTPA12	0	R/W	Data transfer controller (DTC)
11	MSTPA11	1	R/W	Reserved
10	MSTPA10	1	R/W	These bits are always read as 1. The write value should always be 1.
9	MSTPA9	1	R/W	8-bit timer (TMR_3 and TMR_2)
8	MSTPA8	1	R/W	8-bit timer (TMR_1 and TMR_0)
7	MSTPA7	1	R/W	Reserved
6	MSTPA6	1	R/W	These bits are always read as 1. The write value should always be 1.

Bit	Bit Name	Initial Value	R/W	Module
5	MSTPA5	1	R/W	D/A converter (channels 1 and 0)
4	MSTPA4	1	R/W	Reserved This bit is always read as 1. The write value should always be 1.
3	MSTPA3	1	R/W	A/D converter (unit 0)
2	MSTPA2	1	R/W	Reserved
1	MSTPA1	1	R/W	These bits are always read as 1. The write value should always be 1.
0	MSTPA0	1	R/W	16-bit timer pulse unit (TPU channels 5 to 0)

- MSTPCRB

Bit	Bit Name	Initial Value	R/W	Module
15	MSTPB15	1	R/W	Programmable pulse generator (PPG)
14	MSTPB14	1	R/W	Reserved
13	MSTPB13	1	R/W	These bits are always read as 1. The write value should always be 1.
12	MSTPB12	1	R/W	Serial communication interface_4 (SCI_4)
11	MSTPB11	1	R/W	Serial communication interface_3 (SCI_3)
10	MSTPB10	1	R/W	Serial communication interface_2 (SCI_2)
9	MSTPB9	1	R/W	Serial communication interface_1 (SCI_1)
8	MSTPB8	1	R/W	Serial communication interface_0 (SCI_0)
7	MSTPB7	1	R/W	Reserved
6	MSTPB6	1	R/W	These bits are always read as 1. The write value should always be 1.
5	MSTPB5	1	R/W	
4	MSTPB4	1	R/W	
3	MSTPB3	1	R/W	
2	MSTPB2	1	R/W	
1	MSTPB1	1	R/W	
0	MSTPB0	1	R/W	

### 19.2.3 Module Stop Control Register C (MSTPCRC)

When bits MSTPC4 to MSTPC0 are set to 1, the corresponding on-chip RAM stops. Do not set the corresponding MSTPC4 to MSTPC0 bits to 1 while accessing on-chip RAM.

Bit	15	14	13	12	11	10	9	8
Bit Name	MSTPC15	MSTPC14	MSTPC13	MSTPC12	MSTPC11	MSTPC10	MSTPC9	MSTPC8
Initial Value	1	1	1	1	1	1	1	1
R/W	R/W	R/W	R/W	R/W	R/W	R/W	R/W	R/W

Bit	7	6	5	4	3	2	1	0
Bit Name	MSTPC7	MSTPC6	MSTPC5	MSTPC4	MSTPC3	MSTPC2	MSTPC1	MSTPC0
Initial Value	0	0	0	0	0	0	0	0
R/W	R/W	R/W	R/W	R/W	R/W	R/W	R/W	R/W

Bit	Bit Name	Initial Value	R/W	Module
15	MSTPC15	1	R/W	Reserved
14	MSTPC14	1	R/W	These bits are always read as 1. The write value should always be 1.
13	MSTPC13	1	R/W	
12	MSTPC12	1	R/W	
11	MSTPC11	1	R/W	
10	MSTPC10	1	R/W	
9	MSTPC9	1	R/W	
8	MSTPC8	1	R/W	
7	MSTPC7	0	R/W	Reserved
6	MSTPC6	0	R/W	These bits are always read as 0. The write value should always be 0.
5	MSTPC5	0	R/W	
4	MSTPC4	0	R/W	
3	MSTPC3	0	R/W	On-chip RAM_3 (H'FFF4000 to H'FFF5FFF)
2	MSTPC2	0	R/W	On-chip RAM_2 (H'FFF6000 to H'FFF7FFF)
1	MSTPC1	0	R/W	On-chip RAM_1 (H'FFF8000 to H'FFF9FFF)
0	MSTPC0	0	R/W	On-chip RAM_0 (H'FFFA000 to H'FFFBFFF)

### 19.3 Multi-Clock Function

When bits ICK2 to ICK0, PCK2 to PCK0, and BCK2 to BCK0 in SCKCR are set, a transition is made to multi-clock mode at the end of the bus cycle. In multi-clock mode, the CPU and bus masters operate on the operating clock specified by bits ICK2 to ICK0. The peripheral modules operate on the operating clock specified by bits PCK2 to PCK0. The external bus operates on the operating clock specified by bits BCK2 to BCK0.

Even if the frequencies specified by bits PCK2 to PCK0 and BCK2 to BCK0 are higher than the frequency specified by bits ICK2 to ICK0, the specified values are not reflected in the peripheral module and external bus clocks. The peripheral module and external bus clocks are restricted to the operating clock specified by bits ICK2 to ICK0.

Multi-clock mode is cleared by clearing all of bits ICK2 to ICK0, PCK2 to PCK0, and BCK2 to BCK0 to 0. A transition is made to normal mode at the end of the bus cycle, and multi-clock mode is cleared.

If a SLEEP instruction is executed while the SSBY bit in SBYCR is cleared to 0, this LSI enters sleep mode. When sleep mode is cleared by an interrupt, multi-clock mode is restored.

If a SLEEP instruction is executed while the SSBY bit in SBYCR is set to 1, this LSI enters software standby mode. When software standby mode is cleared by an external interrupt, multi-clock mode is restored.

When the  $\overline{\text{RES}}$  pin is driven low, the reset state is entered and multi-clock mode is cleared. The same applies to a reset caused by watchdog timer overflow.

When the  $\overline{\text{STBY}}$  pin is driven low, a transition is made to hardware standby mode.

## 19.4 Sleep Mode

### 19.4.1 Transition to Sleep Mode

When the SLEEP instruction is executed when the SSBY bit in SBYCR is 0, the CPU enters sleep mode. In sleep mode, CPU operation stops but the contents of the CPU's internal registers are retained. Other peripheral functions do not stop.

### 19.4.2 Clearing Sleep Mode

Sleep mode is exited by any interrupt, signals on the  $\overline{\text{RES}}$  or  $\overline{\text{STBY}}$  pin, and a reset caused by a watchdog timer overflow.

1. Clearing by interrupt

When an interrupt occurs, sleep mode is exited and interrupt exception processing starts. Sleep mode is not exited if the interrupt is disabled, or interrupts other than NMI are masked by the CPU.

2. Clearing by  $\overline{\text{RES}}$  pin

Setting the  $\overline{\text{RES}}$  pin level low selects the reset state. After the stipulated reset input duration, driving the  $\overline{\text{RES}}$  pin high makes the CPU start the reset exception processing.

3. Clearing by  $\overline{\text{STBY}}$  pin

When the  $\overline{\text{STBY}}$  pin level is driven low, a transition is made to hardware standby mode.

4. Clearing by reset caused by watchdog timer overflow

Sleep mode is exited by an internal reset caused by a watchdog timer overflow.

## 19.5 Software Standby Mode

### 19.5.1 Transition to Software Standby Mode

If a SLEEP instruction is executed when the SSBY bit in SBYCR is set to 1, software standby mode is entered. In this mode, the CPU, on-chip peripheral functions, and oscillator all stop. However, the contents of the CPU's internal registers, on-chip RAM data, and the states of on-chip peripheral functions other than the SCI, and the states of the I/O ports, are retained. Whether the address bus and bus control signals are placed in the high-impedance state or retain the output state can be specified by the OPE bit in SBYCR. In this mode the oscillator stops, allowing power consumption to be significantly reduced.

If the WDT is used as a watchdog timer, it is impossible to make a transition to software standby mode. The WDT should be stopped before the SLEEP instruction execution.

### 19.5.2 Clearing Software Standby Mode

Software standby mode is cleared by an external interrupt (NMI pin, or pins  $\overline{\text{IRQ0}}$  to  $\overline{\text{IRQ11}}$ \*), or by means of the  $\overline{\text{RES}}$  pin or  $\overline{\text{STBY}}$  pin.

#### 1. Clearing by interrupt

When an NMI or IRQ0 to IRQ11\* interrupt request signal is input, clock oscillation starts, and after the elapse of the time set in bits STS4 to STS0 in SBYCR, stable clocks are supplied to the entire LSI, software standby mode is cleared, and interrupt exception handling is started.

When clearing software standby mode with an IRQ0 to IRQ11\* interrupt, set the corresponding enable bit to 1 and ensure that no interrupt with a higher priority than interrupts IRQ0 to IRQ11\* is generated. Software standby mode cannot be cleared if the interrupt has been masked on the CPU side or has been designated as a DTC activation source.

Note: \* By setting the SSIn bit in SSIER to 1,  $\overline{\text{IRQ0}}$  to  $\overline{\text{IRQ11}}$  can be used as a software standby mode clearing source.

#### 2. Clearing by $\overline{\text{RES}}$ pin

When the  $\overline{\text{RES}}$  pin is driven low, clock oscillation is started. At the same time as clock oscillation starts, clocks are supplied to the entire LSI. Note that the  $\overline{\text{RES}}$  pin must be held low until clock oscillation settles. When the  $\overline{\text{RES}}$  pin goes high, the CPU begins reset exception handling.

#### 3. Clearing by $\overline{\text{STBY}}$ pin

When the  $\overline{\text{STBY}}$  pin is driven low, a transition is made to hardware standby mode.



### 19.5.3 Setting Oscillation Settling Time after Clearing Software Standby Mode

Bits STS4 to STS0 in SBYCR should be set as described below.

1. Using a crystal resonator

Set bits STS4 to STS0 so that the standby time is at least equal to the oscillation settling time.


Table 19.2 shows the standby times for operating frequencies and settings of bits STS4 to STS0.


2. Using an external clock

A PLL circuit settling time is necessary. Refer to table 19.2 to set the standby time.

**Table 19.2 Oscillation Settling Time Settings**

STS4	STS3	STS2	STS1	STS0	Standby Time	P $\phi$ * [MHz]			Unit						
						35	25	20							
0	0	0	0	0	Reserved	—	—	—	$\mu$ s						
					1	Reserved	—	—		—					
					1	0	Reserved	—		—	—				
						1	Reserved	—		—	—				
					1	0	0	0		Reserved	—	—	—		
										1	64	1.8	2.6	3.2	
										1	0	512	14.6	20.5	25.6
											1	1024	29.3	41.0	51.2
											1	2048	58.5	81.9	102.4
										1	0	0	0	Reserved	—
					1	4096	0.12	0.16						0.20	
					1	0	16384	0.47						0.66	0.82
1	32768	0.94	1.31	1.64											
1	0	0	0	65536	1.87	2.62	3.28								
				1	131072	3.74	5.24	6.55							
				1	0	262144	7.49	10.49	13.11						
					1	524288	14.98	20.97	26.21						
1	0	0	0	0	Reserved	—	—	—							


 : Recommended time setting when using a crystal resonator.

 : Recommended time setting when using an external clock.

Note: \* P $\phi$  is the output from the peripheral module frequency divider.

STS4	STS3	STS2	STS1	STS0	Standby Time	P $\phi$ * [MHz]			Unit		
						13	10	8			
0	0	0	0	0	Reserved	—	—	—	$\mu$ s		
					1	Reserved	—	—		—	
0	0	0	1	0	Reserved	—	—	—			
				1	Reserved	—	—	—			
			1	0	Reserved	—	—	—			
				1	64	4.9	6.4	8.0			
1	0	0	1	0	512	39.4	51.2	64.0			
				1	1024	78.8	102.4	128.0			
			2048	157.5	204.8	256.0					
1	0	0	1	0	4096	0.32	0.41	0.51	ms		
				1	16384	1.26	1.64	2.05			
			1	0	1	0	32765	2.52	3.28	4.10	
						1	65536	5.04	6.55	8.19	
					1	131072	10.08	13.11	16.38		
1	0	0	1	0	262144	20.16	26.21	32.77			
				1	524288	40.33	52.43	65.54			
1	0	0	0	0	Reserved	—	—	—			

 : Recommended time setting when using a crystal resonator.

 : Recommended time setting when using an external clock.

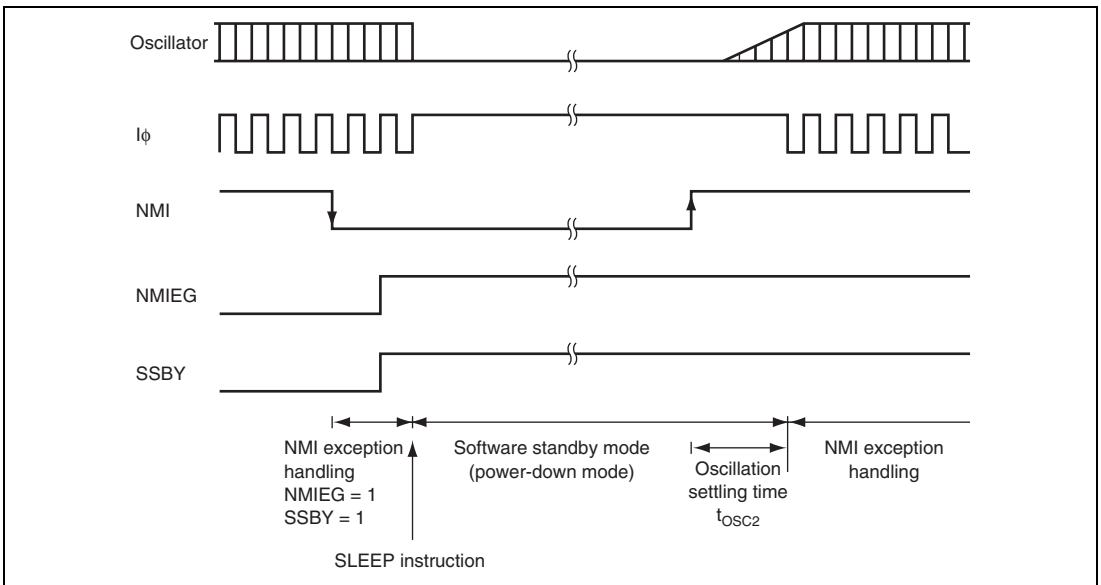
Note: \*  $\phi$  is the output from the peripheral module frequency divider.

### 19.5.4 Software Standby Mode Application Example

Figure 19.2 shows an example in which a transition is made to software standby mode at the falling edge on the NMI pin, and software standby mode is cleared at the rising edge on the NMI pin.

In this example, an NMI interrupt is accepted with the NMIEG bit in INTCR cleared to 0 (falling edge specification), then the NMIEG bit is set to 1 (rising edge specification), the SSBY bit is set to 1, and a SLEEP instruction is executed, causing a transition to software standby mode.

Software standby mode is then cleared at the rising edge on the NMI pin.



**Figure 19.2 Software Standby Mode Application Example**

## 19.6 Hardware Standby Mode

### 19.6.1 Transition to Hardware Standby Mode

When the  $\overline{\text{STBY}}$  pin is driven low, a transition is made to hardware standby mode from any mode.

In hardware standby mode, all functions enter the reset state and stop operation, resulting in a significant reduction in power consumption. As long as the prescribed voltage is supplied, on-chip RAM data is retained. I/O ports are set to the high-impedance state.

In order to retain on-chip RAM data, the RAME bit in SYSCR should be cleared to 0 before driving the  $\overline{\text{STBY}}$  pin low. Do not change the state of the mode pins (MD2 to MD0) while this LSI is in hardware standby mode.

### 19.6.2 Clearing Hardware Standby Mode

Hardware standby mode is cleared by means of the  $\overline{\text{STBY}}$  pin and the  $\overline{\text{RES}}$  pin. When the  $\overline{\text{STBY}}$  pin is driven high while the  $\overline{\text{RES}}$  pin is low, the reset state is entered and clock oscillation is started. Ensure that the  $\overline{\text{RES}}$  pin is held low until clock oscillation settles (for details on the oscillation settling time, refer to table 19.2). When the  $\overline{\text{RES}}$  pin is subsequently driven high, a transition is made to the program execution state via the reset exception handling state.

### 19.6.3 Hardware Standby Mode Timing

Figure 19.3 shows an example of hardware standby mode timing.

When the  $\overline{\text{STBY}}$  pin is driven low after the  $\overline{\text{RES}}$  pin has been driven low, a transition is made to hardware standby mode. Hardware standby mode is cleared by driving the  $\overline{\text{STBY}}$  pin high, waiting for the oscillation settling time, then changing the  $\overline{\text{RES}}$  pin from low to high.

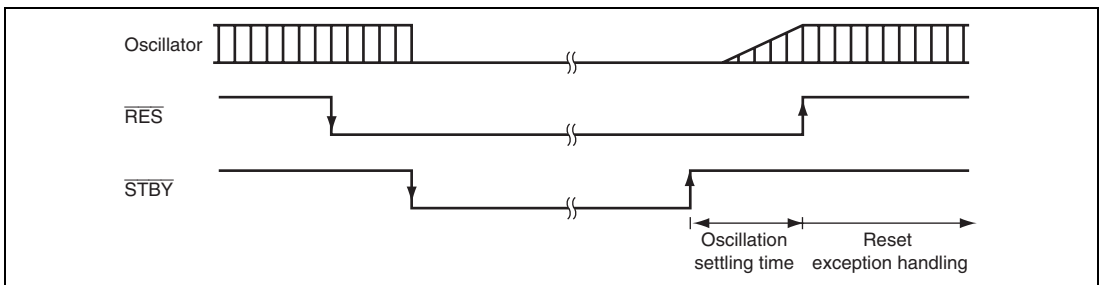


Figure 19.3 Hardware Standby Mode Timing

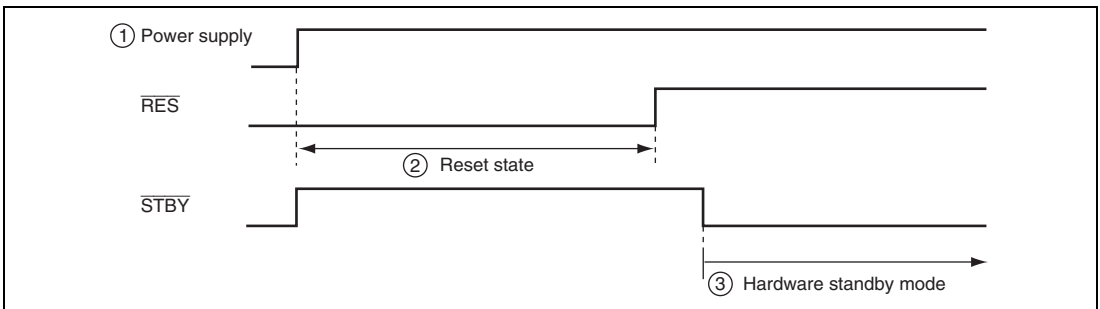
### 19.6.4 Timing Sequence at Power-On

Figure 19.4 shows the timing sequence at power-on.

At power-on, the  $\overline{\text{RES}}$  pin must be driven low with the  $\overline{\text{STBY}}$  pin driven high for a given time in order to clear the reset state.

To enter hardware standby mode immediately after power-on, drive the  $\overline{\text{STBY}}$  pin low after exiting the reset state.

For details on clearing hardware standby mode, see section 19.6.3, Hardware Standby Mode Timing.



**Figure 19.4 Timing Sequence at Power-On**

## 19.7 Module Stop Mode

### 19.7.1 Module Stop Mode

Module stop mode can be set for individual on-chip peripheral modules.

When the corresponding MSTP bit in MSTPCRA, MSTPCRB, or MSTPCRC is set to 1, module operation stops at the end of the bus cycle and a transition is made to module stop mode. The CPU continues operating independently.

When the corresponding MSTP bit is cleared to 0, module stop mode is cleared and the module starts operating at the end of the bus cycle. In module stop mode, the internal states of modules other than the SCI are retained.

After the reset state is cleared, all modules other than the DTC, DMAC, or on-chip RAM are in module stop mode.

The registers of the module for which module stop mode is selected cannot be read from or written to.

### 19.7.2 All-Module-Clock-Stop Mode

When the ACSE bit is set to 1 and all modules controlled by MSTPCR are stopped (MSTPCRA, MSTPCRB = H'FFFFFFF), or all modules except for the 8-bit timer are stopped (MSTPCRA, MSTPCRB = H'F[0 to F]FFFFFF), executing a SLEEP instruction with the SSBY bit in SBYCR cleared to 0 will cause all modules (except for the 8-bit timer\* and watchdog timer), the bus controller, and the I/O ports to stop operating, and to make a transition to all-module-clock-stop mode at the end of the bus cycle.

All-module-clock-stop mode is cleared by an external interrupt (NMI or  $\overline{\text{IRQ0}}$  to  $\overline{\text{IRQ11}}$  pins),  $\overline{\text{RES}}$  pin input, or an internal interrupt (8-bit timer\* or watchdog timer), and the CPU returns to the normal program execution state via the exception handling state. All-module-clock-stop mode is not cleared if interrupts are disabled, if interrupts other than NMI are masked on the CPU side, or if the relevant interrupt is designated as a DTC activation source.

When the  $\overline{\text{STBY}}$  pin is driven low, a transition is made to hardware standby mode.

Note: \* Operation or halting of the 8-bit timer can be selected by bits MSTPA11 to MSTPA8 in MSTPCRA.

## 19.8 Sleep Instruction Exception Handling

Sleep instruction exception handling is exception handling that is initiated by the execution of a SLEEP instruction. Sleep instruction exception handling is always accepted while the program is in execution.

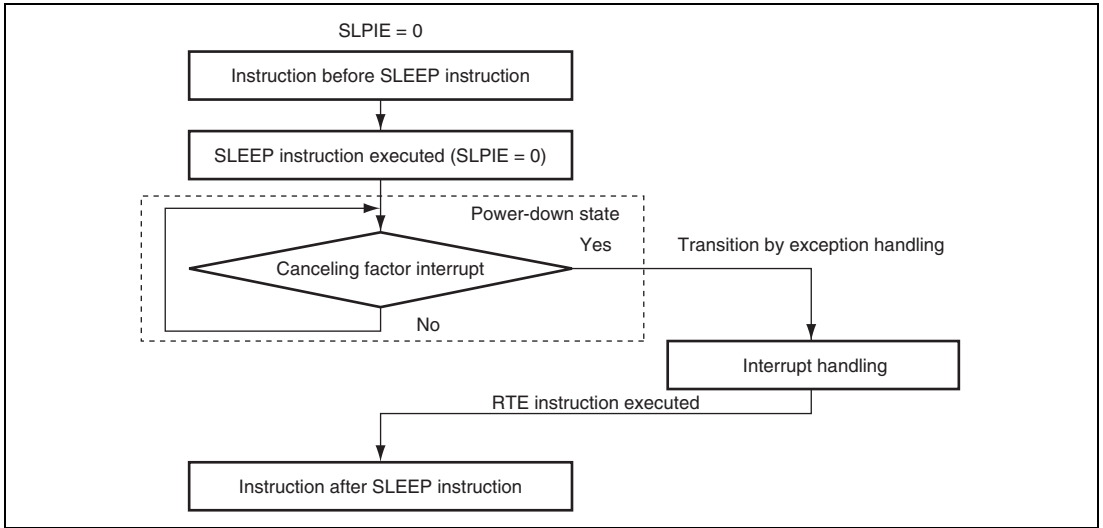
When the SLPIE bit is set to 0, the execution of a SLEEP instruction does not initiate sleep instruction exception handling. Instead, the CPU enters the power-down state. After this, generation of an exception handling request that cancels the power-down state causes the power-down state to be canceled, after which the CPU starts to handle the exception. When the SLPIE bit is set to 1, sleep instruction exception handling starts after the execution of a SLEEP instruction. Transitions to the power-down state are inhibited when sleep instruction exception handling is initiated, and the CPU immediately starts sleep instruction exception handling.

When a SLEEP instruction is executed while the SLPIE bit is cleared to 0, a transition is made to the power-down state. The power-down state is canceled by a canceling factor interrupt (see figure 19.5).

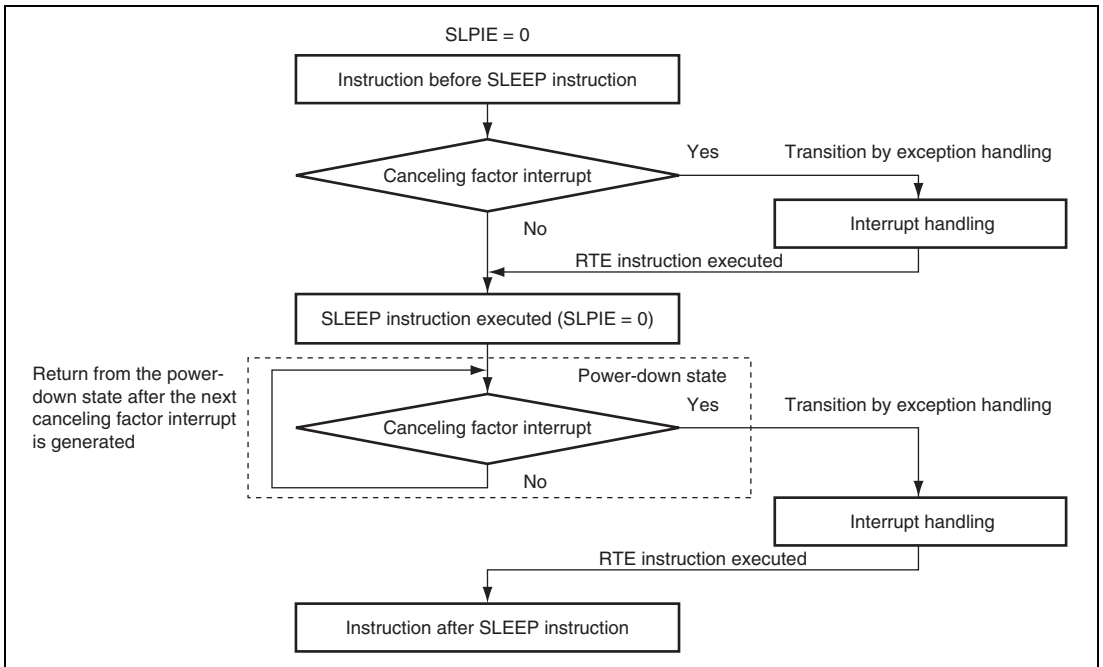
When a canceling factor interrupt is generated immediately before the execution of a SLEEP instruction, exception handling for the interrupt starts. When execution returns from the exception service routine, the SLEEP instruction is executed to enter the power-down state. In this case, the power-down state is not canceled until the next canceling factor interrupt is generated (see figure 19.6).

When the SLPIE bit is set to 1 in the service routine for a canceling factor interrupt so that the execution of a SLEEP instruction will produce sleep instruction exception handling, the operation of the system is as shown in figure 19.7. Even if a canceling factor interrupt is generated immediately before the SLEEP instruction is executed, sleep instruction exception handling is initiated by execution of the SLEEP instruction. Therefore, the CPU executes the instruction that follows the SLEEP instruction after sleep instruction exception and exception service routine without shifting to the power-down state.

When the SLPIE bit is set to 1 to start sleep exception handling, clear the SSBY bit in SBYCR to 0.

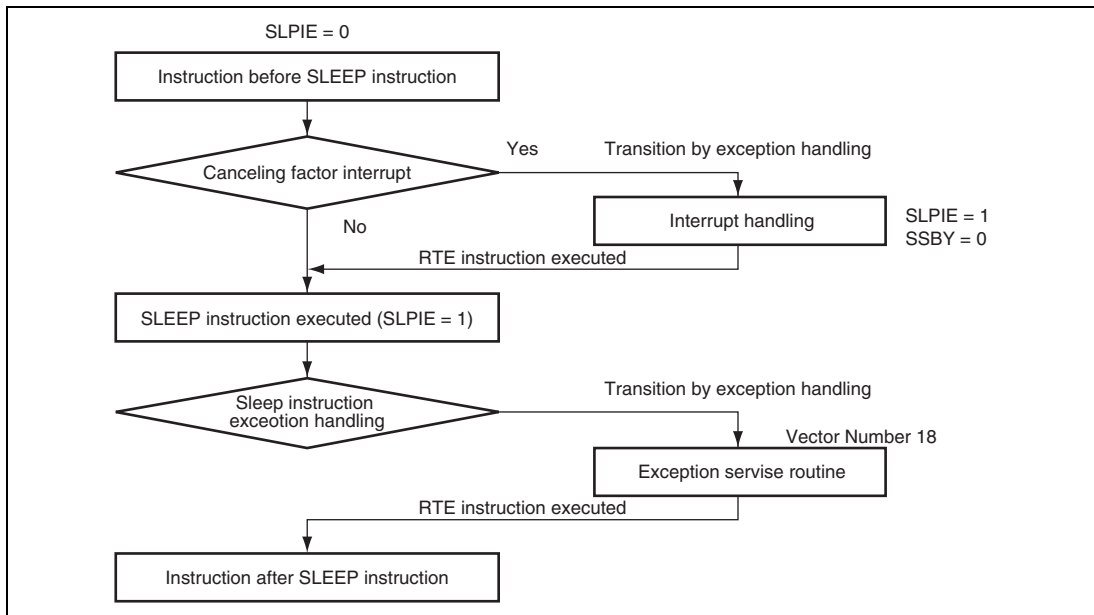


**Figure 19.5 When Canceling Factor Interrupt is Generated after SLEEP Instruction Execution**



**Figure 19.6 When Canceling Factor Interrupt is Generated before SLEEP Instruction Execution (Sleep Instruction Exception Handling Not Initiated)**





**Figure 19.7 When Canceling Factor Interrupt is Generated before SLEEP Instruction Execution (Sleep Instruction Exception Handling Initiated)**

## 19.9 B $\phi$ Clock Output Control

Output of the B $\phi$  clock can be controlled by bits PSTOP1 and POSEL1 in SCKCR, and DDR for the corresponding PA7 pin.

Clearing both bits PSTOP1 and POSEL1 to 0 enables the B $\phi$  clock output on the PA7 pin. When bit PSTOP1 is set to 1, the B $\phi$  clock output stops at the end of the bus cycle, and the B $\phi$  clock output goes high. When DDR for the PA7 pin is cleared to 0, the B $\phi$  clock output is disabled and the pin becomes an input port.

Table 19.3 shows the states of the B $\phi$  pin in each processing state.

**Table 19.3 B $\phi$  Pin (PA7) State in Each Processing State**

Register Setting Value			Normal Operating State	Sleep Mode	All- Module- Clock- Stop Mode	Software Standby Mode		Hardware Standby Mode
DDR	PSTOP1	POSEL1				OPE = 0	OPE = 1	
0	X	X	Hi-Z	Hi-Z	Hi-Z	Hi-Z	Hi-Z	Hi-Z
1	0	0	B $\phi$ output	B $\phi$ output	B $\phi$ output	High	High	Hi-Z
1	0	1	Setting prohibited	Setting prohibited	Setting prohibited	Setting prohibited	Setting prohibited	Setting prohibited
1	1	X	High	High	High	High	High	Hi-Z

## **19.10 Usage Notes**

### **19.10.1 I/O Port Status**

In software standby mode, the I/O port states are retained. Therefore, there is no reduction in current consumption for the output current when a high-level signal is output.

### **19.10.2 Current Consumption during Oscillation Settling Standby Period**

Current consumption increases during the oscillation settling standby period.

### **19.10.3 Module Stop Mode of DMAC or DTC**

Depending on the operating state of the DMAC and DTC, bits MSTPA13 and MSTPA12 may not be set to 1, respectively. The module stop mode setting for the DMAC or DTC should be carried out only when the DMAC or DTC is not activated.

For details, refer to section 7, DMA Controller (DMAC), and section 8, Data Transfer Controller (DTC).

### **19.10.4 On-Chip Peripheral Module Interrupts**

Relevant interrupt operations cannot be performed in module stop mode. Consequently, if module stop mode is entered when an interrupt has been requested, it will not be possible to clear the CPU interrupt source or the DMAC or DTC activation source. Interrupts should therefore be disabled before entering module stop mode.

### **19.10.5 Writing to MSTPCRA, MSTPCRB, and MSTPCRC**

MSTPCRA, MSTPCRB, and MSTPCRC should only be written to by the CPU.



## Section 20 List of Registers

The register list gives information on the on-chip I/O register addresses, how the register bits are configured, and the register states in each operating mode. The information is given as shown below.

1. Register addresses (address order)
  - Registers are listed from the lower allocation addresses.
  - Registers are classified according to functional modules.
  - The number of Access Cycles indicates the number of states based on the specified reference clock. For details, refer to section 6.5.4, External Bus Interface.
  - Among the internal I/O register area, addresses not listed in the list of registers are undefined or reserved addresses. Undefined and reserved addresses cannot be accessed. Do not access these addresses; otherwise, the operation when accessing these bits and subsequent operations cannot be guaranteed.
2. Register bits
  - Bit configurations of the registers are listed in the same order as the register addresses.
  - Reserved bits are indicated by — in the bit name column.
  - Space in the bit name field indicates that the entire register is allocated to either the counter or data.
  - For the registers of 16 or 32 bits, the MSB is listed first.  
Byte configuration description order is subject to big endian.
3. Register states in each operating mode
  - Register states are listed in the same order as the register addresses.
  - For the initialized state of each bit, refer to the register description in the corresponding section.
  - The register states shown here are for the basic operating modes. If there is a specific reset for an on-chip peripheral module, refer to the section on that on-chip peripheral module.

## 20.1 Register Addresses (Address Order)

Register Name	Abbreviation	Number of Bits	Address	Module	Data Width	Access Cycles (Read/Write)
Port 1 data direction register	P1DDR	8	H'FFB80	I/O port	8	2P $\psi$ /2P $\phi$
Port 2 data direction register	P2DDR	8	H'FFB81	I/O port	8	2P $\psi$ /2P $\phi$
Port 3 data direction register	P3DDR	8	H'FFB82	I/O port	8	2P $\psi$ /2P $\phi$
Port 6 data direction register	P6DDR	8	H'FFB85	I/O port	8	2P $\psi$ /2P $\phi$
Port A data direction register	PADDR	8	H'FFB89	I/O port	8	2P $\psi$ /2P $\phi$
Port B data direction register	PBDDR	8	H'FFB8A	I/O port	8	2P $\psi$ /2P $\phi$
Port D data direction register	PDDDR	8	H'FFB8C	I/O port	8	2P $\psi$ /2P $\phi$
Port E data direction register	PEDDR	8	H'FFB8D	I/O port	8	2P $\psi$ /2P $\phi$
Port F data direction register	PFDDR	8	H'FFB8E	I/O port	8	2P $\psi$ /2P $\phi$
Port 1 input buffer control register	P1ICR	8	H'FFB90	I/O port	8	2P $\psi$ /2P $\phi$
Port 2 input buffer control register	P2ICR	8	H'FFB91	I/O port	8	2P $\psi$ /2P $\phi$
Port 3 input buffer control register	P3ICR	8	H'FFB92	I/O port	8	2P $\psi$ /2P $\phi$
Port 5 input buffer control register	P5ICR	8	H'FFB94	I/O port	8	2P $\psi$ /2P $\phi$
Port 6 input buffer control register	P6ICR	8	H'FFB95	I/O port	8	2P $\psi$ /2P $\phi$
Port A input buffer control register	PAICR	8	H'FFB99	I/O port	8	2P $\psi$ /2P $\phi$
Port B input buffer control register	PBICR	8	H'FFB9A	I/O port	8	2P $\psi$ /2P $\phi$
Port D input buffer control register	PDICR	8	H'FFB9C	I/O port	8	2P $\psi$ /2P $\phi$
Port E input buffer control register	PEICR	8	H'FFB9D	I/O port	8	2P $\psi$ /2P $\phi$
Port F input buffer control register	PFICR	8	H'FFB9E	I/O port	8	2P $\psi$ /2P $\phi$
Port H register	PORTH	8	H'FFBA0	I/O port	8	2P $\psi$ /2P $\phi$
Port I register	PORTI	8	H'FFBA1	I/O port	8	2P $\psi$ /2P $\phi$
Port H data register	PHDR	8	H'FFBA4	I/O port	8	2P $\psi$ /2P $\phi$
Port I data register	PIDR	8	H'FFBA5	I/O port	8	2P $\psi$ /2P $\phi$
Port H data direction register	PHDDR	8	H'FFBA8	I/O port	8	2P $\psi$ /2P $\phi$
Port I data direction register	PIDDR	8	H'FFBA9	I/O port	8	2P $\psi$ /2P $\phi$

Register Name	Abbreviation	Number of Bits	Address	Module	Data Width	Access Cycles (Read/Write)
Port H input buffer control register	PHICR	8	H'FFBAC	I/O port	8	2P $\phi$ /2P $\phi$
Port I input buffer control register	PIICR	8	H'FFBAD	I/O port	8	2P $\phi$ /2P $\phi$
Port D pull-up MOS control register	PDPCR	8	H'FFBB4	I/O port	8	2P $\phi$ /2P $\phi$
Port E pull-up MOS control register	PEPCR	8	H'FFBB5	I/O port	8	2P $\phi$ /2P $\phi$
Port F pull-up MOS control register	PFPCR	8	H'FFBB6	I/O port	8	2P $\phi$ /2P $\phi$
Port H pull-up MOS control register	PHPCR	8	H'FFBB8	I/O port	8	2P $\phi$ /2P $\phi$
Port I pull-up MOS control register	PIPCR	8	H'FFBB9	I/O port	8	2P $\phi$ /2P $\phi$
Port 2 open drain control register	P2ODR	8	H'FFBBC	I/O port	8	2P $\phi$ /2P $\phi$
Port F open drain control register	PFODR	8	H'FFBBD	I/O port	8	2P $\phi$ /2P $\phi$
Port function control register 0	PFCR0	8	H'FFBC0	I/O port	8	2P $\phi$ /3P $\phi$
Port function control register 1	PFCR1	8	H'FFBC1	I/O port	8	2P $\phi$ /3P $\phi$
Port function control register 2	PFCR2	8	H'FFBC2	I/O port	8	2P $\phi$ /3P $\phi$
Port function control register 4	PFCR4	8	H'FFBC4	I/O port	8	2P $\phi$ /3P $\phi$
Port function control register 6	PFCR6	8	H'FFBC6	I/O port	8	2P $\phi$ /3P $\phi$
Port function control register 7	PFCR7	8	H'FFBC7	I/O port	8	2P $\phi$ /3P $\phi$
Port function control register 9	PFCR9	8	H'FFBC9	I/O port	8	2P $\phi$ /3P $\phi$
Port function control register B	PFCRB	8	H'FFBCB	I/O port	8	2P $\phi$ /3P $\phi$
Port function control register C	PFCRC	8	H'FFBCC	I/O port	8	2P $\phi$ /3P $\phi$
Software standby release IRQ enable register	SSIER	16	H'FFBCE	INTC	8	2P $\phi$ /3P $\phi$
DMA source address register_0	DSAR_0	32	H'FFC00	DMAC_0	16	2I $\phi$ /2I $\phi$
DMA destination address register_0	DDAR_0	32	H'FFC04	DMAC_0	16	2I $\phi$ /2I $\phi$
DMA offset register_0	DOFR_0	32	H'FFC08	DMAC_0	16	2I $\phi$ /2I $\phi$
DMA transfer count register_0	DTCR_0	32	H'FFC0C	DMAC_0	16	2I $\phi$ /2I $\phi$
DMA block size register_0	DBSR_0	32	H'FFC10	DMAC_0	16	2I $\phi$ /2I $\phi$
DMA mode control register_0	DMDR_0	32	H'FFC14	DMAC_0	16	2I $\phi$ /2I $\phi$
DMA address control register_0	DACR_0	32	H'FFC18	DMAC_0	16	2I $\phi$ /2I $\phi$

Register Name	Abbreviation	Number of		Module	Data Width	Access Cycles (Read/Write)
		Bits	Address			
DMA source address register_1	DSAR_1	32	H'FFC20	DMAC_1	16	2 $\phi$ /2 $\phi$
DMA destination address register_1	DDAR_1	32	H'FFC24	DMAC_1	16	2 $\phi$ /2 $\phi$
DMA offset register_1	DOFR_1	32	H'FFC28	DMAC_1	16	2 $\phi$ /2 $\phi$
DMA transfer count register_1	DTCR_1	32	H'FFC2C	DMAC_1	16	2 $\phi$ /2 $\phi$
DMA block size register_1	DBSR_1	32	H'FFC30	DMAC_1	16	2 $\phi$ /2 $\phi$
DMA mode control register_1	DMDR_1	32	H'FFC34	DMAC_1	16	2 $\phi$ /2 $\phi$
DMA address control register_1	DACR_1	32	H'FFC38	DMAC_1	16	2 $\phi$ /2 $\phi$
DMA source address register_2	DSAR_2	32	H'FFC40	DMAC_2	16	2 $\phi$ /2 $\phi$
DMA destination address register_2	DDAR_2	32	H'FFC44	DMAC_2	16	2 $\phi$ /2 $\phi$
DMA offset register_2	DOFR_2	32	H'FFC48	DMAC_2	16	2 $\phi$ /2 $\phi$
DMA transfer count register_2	DTCR_2	32	H'FFC4C	DMAC_2	16	2 $\phi$ /2 $\phi$
DMA block size register_2	DBSR_2	32	H'FFC50	DMAC_2	16	2 $\phi$ /2 $\phi$
DMA mode control register_2	DMDR_2	32	H'FFC54	DMAC_2	16	2 $\phi$ /2 $\phi$
DMA address control register_2	DACR_2	32	H'FFC58	DMAC_2	16	2 $\phi$ /2 $\phi$
DMA source address register_3	DSAR_3	32	H'FFC60	DMAC_3	16	2 $\phi$ /2 $\phi$
DMA destination address register_3	DDAR_3	32	H'FFC64	DMAC_3	16	2 $\phi$ /2 $\phi$
DMA offset register_3	DOFR_3	32	H'FFC68	DMAC_3	16	2 $\phi$ /2 $\phi$
DMA transfer count register_3	DTCR_3	32	H'FFC6C	DMAC_3	16	2 $\phi$ /2 $\phi$
DMA block size register_3	DBSR_3	32	H'FFC70	DMAC_3	16	2 $\phi$ /2 $\phi$
DMA mode control register_3	DMDR_3	32	H'FFC74	DMAC_3	16	2 $\phi$ /2 $\phi$
DMA address control register_3	DACR_3	32	H'FFC78	DMAC_3	16	2 $\phi$ /2 $\phi$
DMA module request select register_0	DMRSR_0	8	H'FFD20	DMAC_0	16	2 $\phi$ /2 $\phi$
DMA module request select register_1	DMRSR_1	8	H'FFD21	DMAC_1	16	2 $\phi$ /2 $\phi$
DMA module request select register_2	DMRSR_2	8	H'FFD22	DMAC_2	16	2 $\phi$ /2 $\phi$
DMA module request select register_3	DMRSR_3	8	H'FFD23	DMAC_3	16	2 $\phi$ /2 $\phi$



Register Name	Abbreviation	Number of Bits	Address	Module	Data Width	Access Cycles (Read/Write)
Interrupt priority register A	IPRA	16	H'FFD40	INTC	16	21φ/31φ
Interrupt priority register B	IPRB	16	H'FFD42	INTC	16	21φ/31φ
Interrupt priority register C	IPRC	16	H'FFD44	INTC	16	21φ/31φ
Interrupt priority register E	IPRE	16	H'FFD48	INTC	16	21φ/31φ
Interrupt priority register F	IPRF	16	H'FFD4A	INTC	16	21φ/31φ
Interrupt priority register G	IPRG	16	H'FFD4C	INTC	16	21φ/31φ
Interrupt priority register H	IPRH	16	H'FFD4E	INTC	16	21φ/31φ
Interrupt priority register I	IPRI	16	H'FFD50	INTC	16	21φ/31φ
Interrupt priority register K	IPRK	16	H'FFD54	INTC	16	21φ/31φ
Interrupt priority register L	IPRL	16	H'FFD56	INTC	16	21φ/31φ
IRQ sense control register H	ISCRH	16	H'FFD68	INTC	16	21φ/31φ
IRQ sense control register L	ISCLR	16	H'FFD6A	INTC	16	21φ/31φ
DTC vector base register	DTCVBR	32	H'FFD80	BSC	16	21φ/31φ
Bus width control register	ABWCR	16	H'FFD84	BSC	16	21φ/31φ
Access state control register	ASTCR	16	H'FFD86	BSC	16	21φ/31φ
Wait control register A	WTCRA	16	H'FFD88	BSC	16	21φ/31φ
Wait control register B	WTCRB	16	H'FFD8A	BSC	16	21φ/31φ
Read strobe timing control register	RDNCR	16	H'FFD8C	BSC	16	21φ/31φ
CS assert period control register	CSACR	16	H'FFD8E	BSC	16	21φ/31φ
Idle control register	IDLCR	16	H'FFD90	BSC	16	21φ/31φ
Bus control register 1	BCR1	16	H'FFD92	BSC	16	21φ/31φ
Bus control register 2	BCR2	8	H'FFD94	BSC	16	21φ/31φ
Endian control register	ENDIANCR	8	H'FFD95	BSC	16	21φ/31φ
SRAM mode control register	SRAMCR	16	H'FFD98	BSC	16	21φ/31φ
Burst ROM interface control register	BROMCR	16	H'FFD9A	BSC	16	21φ/31φ
Address/data multiplexed I/O control register	MPXCR	16	H'FFD9C	BSC	16	21φ/31φ

Register Name	Abbreviation	Number of Bits	Address	Module	Data Width	Access
						Cycles (Read/Write)
Mode control register	MDCR	16	H'FFDC0	SYSTEM	16	2 $\phi$ /3 $\phi$
System control register	SYSCR	16	H'FFDC2	SYSTEM	16	2 $\phi$ /3 $\phi$
System clock control register	SCKCR	16	H'FFDC4	SYSTEM	16	2 $\phi$ /3 $\phi$
Standby control register	SBYCR	16	H'FFDC6	SYSTEM	16	2 $\phi$ /3 $\phi$
Module stop control register A	MSTPCRA	16	H'FFDC8	SYSTEM	16	2 $\phi$ /3 $\phi$
Module stop control register B	MSTPCRB	16	H'FFDCA	SYSTEM	16	2 $\phi$ /3 $\phi$
Module stop control register C	MSTPCRC	16	H'FFDCC	SYSTEM	16	2 $\phi$ /3 $\phi$
Serial extended mode register_2	SEMR_2	8	H'FFE84	SCL_2	8	2P $\phi$ /2P $\phi$
Serial mode register_3	SMR_3	8	H'FFE88	SCL_3	8	2P $\phi$ /2P $\phi$
Bit rate register_3	BRR_3	8	H'FFE89	SCL_3	8	2P $\phi$ /2P $\phi$
Serial control register_3	SCR_3	8	H'FFE8A	SCL_3	8	2P $\phi$ /2P $\phi$
Transmit data register_3	TDR_3	8	H'FFE8B	SCL_3	8	2P $\phi$ /2P $\phi$
Serial status register_3	SSR_3	8	H'FFE8C	SCL_3	8	2P $\phi$ /2P $\phi$
Receive data register_3	RDR_3	8	H'FFE8D	SCL_3	8	2P $\phi$ /2P $\phi$
Smart card mode register_3	SCMR_3	8	H'FFE8E	SCL_3	8	2P $\phi$ /2P $\phi$
Serial mode register_4	SMR_4	8	H'FFE90	SCL_4	8	2P $\phi$ /2P $\phi$
Bit rate register_4	BRR_4	8	H'FFE91	SCL_4	8	2P $\phi$ /2P $\phi$
Serial control register_4	SCR_4	8	H'FFE92	SCL_4	8	2P $\phi$ /2P $\phi$
Transmit data register_4	TDR_4	8	H'FFE93	SCL_4	8	2P $\phi$ /2P $\phi$
Serial status register_4	SSR_4	8	H'FFE94	SCL_4	8	2P $\phi$ /2P $\phi$
Receive data register_4	RDR_4	8	H'FFE95	SCL_4	8	2P $\phi$ /2P $\phi$
Smart card mode register_4	SCMR_4	8	H'FFE96	SCL_4	8	2P $\phi$ /2P $\phi$
Timer control register_2	TCR_2	8	H'FFEC0	TMR_2	16	2P $\phi$ /2P $\phi$
Timer control register_3	TCR_3	8	H'FFEC1	TMR_3	16	2P $\phi$ /2P $\phi$
Timer control/status register_2	TCSR_2	8	H'FFEC2	TMR_2	16	2P $\phi$ /2P $\phi$
Timer control/status register_3	TCSR_3	8	H'FFEC3	TMR_3	16	2P $\phi$ /2P $\phi$

Register Name	Abbreviation	Number of Bits	Address	Module	Data Width	Access Cycles (Read/Write)
Time constant register A_2	TCORA_2	8	H'FFEC4	TMR_2	16	2P $\phi$ /2P $\phi$
Time constant register A_3	TCORA_3	8	H'FFEC5	TMR_3	16	2P $\phi$ /2P $\phi$
Time constant register B_2	TCORB_2	8	H'FFEC6	TMR_2	16	2P $\phi$ /2P $\phi$
Time constant register B_3	TCORB_3	8	H'FFEC7	TMR_3	16	2P $\phi$ /2P $\phi$
Timer counter_2	TCNT_2	8	H'FFEC8	TMR_2	16	2P $\phi$ /2P $\phi$
Timer counter_3	TCNT_3	8	H'FFEC9	TMR_3	16	2P $\phi$ /2P $\phi$
Timer counter control register_2	TCCR_2	8	H'FFECA	TMR_2	16	2P $\phi$ /2P $\phi$
Timer counter control register_3	TCCR_3	8	H'FFECB	TMR_3	16	2P $\phi$ /2P $\phi$
Timer control register_4	TCR_4	8	H'FFEE0	TPU_4	16	2P $\phi$ /2P $\phi$
Timer mode register_4	TMDR_4	8	H'FFEE1	TPU_4	16	2P $\phi$ /2P $\phi$
Timer I/O control register_4	TIOR_4	8	H'FFEE2	TPU_4	16	2P $\phi$ /2P $\phi$
Timer interrupt enable register_4	TIER_4	8	H'FFEE4	TPU_4	16	2P $\phi$ /2P $\phi$
Timer status register_4	TSR_4	8	H'FFEE5	TPU_4	16	2P $\phi$ /2P $\phi$
Timer counter_4	TCNT_4	16	H'FFEE6	TPU_4	16	2P $\phi$ /2P $\phi$
Timer general register A_4	TGRA_4	16	H'FFEE8	TPU_4	16	2P $\phi$ /2P $\phi$
Timer general register B_4	TGRB_4	16	H'FFEEA	TPU_4	16	2P $\phi$ /2P $\phi$
Timer control register_5	TCR_5	8	H'FFEF0	TPU_5	16	2P $\phi$ /2P $\phi$
Timer mode register_5	TMDR_5	8	H'FFEF1	TPU_5	16	2P $\phi$ /2P $\phi$
Timer I/O control register_5	TIOR_5	8	H'FFEF2	TPU_5	16	2P $\phi$ /2P $\phi$
Timer interrupt enable register_5	TIER_5	8	H'FFEF4	TPU_5	16	2P $\phi$ /2P $\phi$
Timer status register_5	TSR_5	8	H'FFEF5	TPU_5	16	2P $\phi$ /2P $\phi$
Timer counter_5	TCNT_5	16	H'FFEF6	TPU_5	16	2P $\phi$ /2P $\phi$
Timer general register A_5	TGRA_5	16	H'FFEF8	TPU_5	16	2P $\phi$ /2P $\phi$
Timer general register B_5	TGRB_5	16	H'FFEFA	TPU_5	16	2P $\phi$ /2P $\phi$
DTC enable register A	DTCERA	16	H'FFF20	INTC	16	2I $\phi$ /3I $\phi$
DTC enable register B	DTCERB	16	H'FFF22	INTC	16	2I $\phi$ /3I $\phi$
DTC enable register C	DTCERC	16	H'FFF24	INTC	16	2I $\phi$ /3I $\phi$
DTC enable register D	DTCERD	16	H'FFF26	INTC	16	2I $\phi$ /3I $\phi$

Register Name	Abbreviation	Number of		Module	Data Width	Access Cycles (Read/Write)
		Bits	Address			
DTC enable register E	DTCERE	16	H'FFF28	INTC	16	2 $\phi$ /3 $\phi$
DTC enable register F	DTCERF	16	H'FFF2A	INTC	16	2 $\phi$ /3 $\phi$
DTC enable register G	DTCERG	16	H'FFF2C	INTC	16	2 $\phi$ /3 $\phi$
DTC enable register H	DTCERH	16	H'FFF2E	INTC	16	2 $\phi$ /3 $\phi$
DTC control register	DTCCR	8	H'FFF30	INTC	16	2 $\phi$ /3 $\phi$
Interrupt control register	INTCR	8	H'FFF32	INTC	16	2 $\phi$ /3 $\phi$
CPU priority control register	CPUPCR	8	H'FFF33	INTC	16	2 $\phi$ /3 $\phi$
IRQ enable register	IER	16	H'FFF34	INTC	16	2 $\phi$ /3 $\phi$
IRQ status register	ISR	16	H'FFF36	INTC	16	2 $\phi$ /3 $\phi$
Port 1 register	PORT1	8	H'FFF40	I/O port	8	2P $\phi$ /—
Port 2 register	PORT2	8	H'FFF41	I/O port	8	2P $\phi$ /—
Port 3 register	PORT3	8	H'FFF42	I/O port	8	2P $\phi$ /—
Port 5 register	PORT5	8	H'FFF44	I/O port	8	2P $\phi$ /—
Port 6 register	PORT6	8	H'FFF45	I/O port	8	2P $\phi$ /—
Port A register	PORTA	8	H'FFF49	I/O port	8	2P $\phi$ /—
Port B register	PORTB	8	H'FFF4A	I/O port	8	2P $\phi$ /—
Port D register	PORTD	8	H'FFF4C	I/O port	8	2P $\phi$ /—
Port E register	PORTE	8	H'FFF4D	I/O port	8	2P $\phi$ /—
Port F register	PORTF	8	H'FFF4E	I/O port	8	2P $\phi$ /—
Port 1 data register	P1DR	8	H'FFF50	I/O port	8	2P $\phi$ /2P $\phi$
Port 2 data register	P2DR	8	H'FFF51	I/O port	8	2P $\phi$ /2P $\phi$
Port 3 data register	P3DR	8	H'FFF52	I/O port	8	2P $\phi$ /2P $\phi$
Port 6 data register	P6DR	8	H'FFF55	I/O port	8	2P $\phi$ /2P $\phi$
Port A data register	PADR	8	H'FFF59	I/O port	8	2P $\phi$ /2P $\phi$
Port B data register	PBDR	8	H'FFF5A	I/O port	8	2P $\phi$ /2P $\phi$
Port D data register	PDDR	8	H'FFF5C	I/O port	8	2P $\phi$ /2P $\phi$
Port E data register	PEDR	8	H'FFF5D	I/O port	8	2P $\phi$ /2P $\phi$
Port F data register	PFDR	8	H'FFF5E	I/O port	8	2P $\phi$ /2P $\phi$

Register Name	Abbreviation	Number of Bits	Address	Module	Data Width	Access Cycles (Read/Write)
Serial mode register_2	SMR_2	8	H'FFF60	SCI_2	8	2P $\phi$ /2P $\phi$
Bit rate register_2	BRR_2	8	H'FFF61	SCI_2	8	2P $\phi$ /2P $\phi$
Serial control register_2	SCR_2	8	H'FFF62	SCI_2	8	2P $\phi$ /2P $\phi$
Transmit data register_2	TDR_2	8	H'FFF63	SCI_2	8	2P $\phi$ /2P $\phi$
Serial status register_2	SSR_2	8	H'FFF64	SCI_2	8	2P $\phi$ /2P $\phi$
Receive data register_2	RDR_2	8	H'FFF65	SCI_2	8	2P $\phi$ /2P $\phi$
Smart card mode register_2	SCMR_2	8	H'FFF66	SCI_2	8	2P $\phi$ /2P $\phi$
D/A data register 0	DADR0	8	H'FFF68	D/A	8	2P $\phi$ /2P $\phi$
D/A data register 1	DADR1	8	H'FFF69	D/A	8	2P $\phi$ /2P $\phi$
D/A control register 01	DACR01	8	H'FFF6A	D/A	8	2P $\phi$ /2P $\phi$
PPG output control register	PCR	8	H'FFF76	PPG	8	2P $\phi$ /2P $\phi$
PPG output mode register	PMR	8	H'FFF77	PPG	8	2P $\phi$ /2P $\phi$
Next data enable register H	NDERH	8	H'FFF78	PPG	8	2P $\phi$ /2P $\phi$
Next data enable register L	NDERL	8	H'FFF79	PPG	8	2P $\phi$ /2P $\phi$
Output data register H	PODRH	8	H'FFF7A	PPG	8	2P $\phi$ /2P $\phi$
Output data register L	PODRL	8	H'FFF7B	PPG	8	2P $\phi$ /2P $\phi$
Next data register H*	NDRH	8	H'FFF7C	PPG	8	2P $\phi$ /2P $\phi$
Next data register L*	NDRL	8	H'FFF7D	PPG	8	2P $\phi$ /2P $\phi$
Next data register H*	NDRH	8	H'FFF7E	PPG	8	2P $\phi$ /2P $\phi$
Next data register L*	NDRL	8	H'FFF7F	PPG	8	2P $\phi$ /2P $\phi$
Serial mode register_0	SMR_0	8	H'FFF80	SCI_0	8	2P $\phi$ /2P $\phi$
Bit rate register_0	BRR_0	8	H'FFF81	SCI_0	8	2P $\phi$ /2P $\phi$
Serial control register_0	SCR_0	8	H'FFF82	SCI_0	8	2P $\phi$ /2P $\phi$
Transmit data register_0	TDR_0	8	H'FFF83	SCI_0	8	2P $\phi$ /2P $\phi$
Serial status register_0	SSR_0	8	H'FFF84	SCI_0	8	2P $\phi$ /2P $\phi$
Receive data register_0	RDR_0	8	H'FFF85	SCI_0	8	2P $\phi$ /2P $\phi$
Smart card mode register_0	SCMR_0	8	H'FFF86	SCI_0	8	2P $\phi$ /2P $\phi$

Register Name	Abbreviation	Number of Bits	Address	Module	Data Width	Access Cycles (Read/Write)
Serial mode register_1	SMR_1	8	H'FFF88	SCL_1	8	2P $\psi$ /2P $\phi$
Bit rate register_1	BRR_1	8	H'FFF89	SCL_1	8	2P $\psi$ /2P $\phi$
Serial control register_1	SCR_1	8	H'FFF8A	SCL_1	8	2P $\psi$ /2P $\phi$
Transmit data register_1	TDR_1	8	H'FFF8B	SCL_1	8	2P $\psi$ /2P $\phi$
Serial status register_1	SSR_1	8	H'FFF8C	SCL_1	8	2P $\psi$ /2P $\phi$
Receive data register_1	RDR_1	8	H'FFF8D	SCL_1	8	2P $\psi$ /2P $\phi$
Smart card mode register_1	SCMR_1	8	H'FFF8E	SCL_1	8	2P $\psi$ /2P $\phi$
A/D data register A	ADDRA	16	H'FFF90	A/D	16	2P $\psi$ /2P $\phi$
A/D data register B	ADDRB	16	H'FFF92	A/D	16	2P $\psi$ /2P $\phi$
A/D data register C	ADDRC	16	H'FFF94	A/D	16	2P $\psi$ /2P $\phi$
A/D data register D	ADDRD	16	H'FFF96	A/D	16	2P $\psi$ /2P $\phi$
A/D data register E	ADDRE	16	H'FFF98	A/D	16	2P $\psi$ /2P $\phi$
A/D data register F	ADDRF	16	H'FFF9A	A/D	16	2P $\psi$ /2P $\phi$
A/D data register G	ADDRG	16	H'FFF9C	A/D	16	2P $\psi$ /2P $\phi$
A/D data register H	ADDRH	16	H'FFF9E	A/D	16	2P $\psi$ /2P $\phi$
A/D control/status register	ADCSR	8	H'FFFA0	A/D	16	2P $\psi$ /2P $\phi$
A/D control register	ADCR	8	H'FFFA1	A/D	16	2P $\psi$ /2P $\phi$
Timer control/status register	TCSR	8	H'FFFA4	WDT		2P $\psi$ /3P $\phi$
Timer counter	TCNT	8	H'FFFA5	WDT		2P $\psi$ /3P $\phi$
Reset control/status register	RSTCSR	8	H'FFFA7	WDT		2P $\psi$ /3P $\phi$
Timer control register_0	TCR_0	8	H'FFFB0	TMR_0	16	2P $\psi$ /2P $\phi$
Timer control register_1	TCR_1	8	H'FFFB1	TMR_1	16	2P $\psi$ /2P $\phi$
Timer control/status register_0	TCSR_0	8	H'FFFB2	TMR_0	16	2P $\psi$ /2P $\phi$
Timer control/status register_1	TCSR_1	8	H'FFFB3	TMR_1	16	2P $\psi$ /2P $\phi$
Time constant register A_0	TCORA_0	8	H'FFFB4	TMR_0	16	2P $\psi$ /2P $\phi$
Time constant register A_1	TCORA_1	8	H'FFFB5	TMR_1	16	2P $\psi$ /2P $\phi$
Time constant register B_0	TCORB_0	8	H'FFFB6	TMR_0	16	2P $\psi$ /2P $\phi$
Time constant register B_1	TCORB_1	8	H'FFFB7	TMR_1	16	2P $\psi$ /2P $\phi$

Register Name	Abbreviation	Number of Bits	Address	Module	Data Width	Access Cycles (Read/Write)
Timer counter_0	TCNT_0	8	H'FFFB8	TMR_0	16	2P $\phi$ /2P $\phi$
Timer counter_1	TCNT_1	8	H'FFFB9	TMR_1	16	2P $\phi$ /2P $\phi$
Timer counter control register_0	TCCR_0	8	H'FFFBBA	TMR_0	16	2P $\phi$ /2P $\phi$
Timer counter control register_1	TCCR_1	8	H'FFFBBA	TMR_1	16	2P $\phi$ /2P $\phi$
Timer start register	TSTR	8	H'FFFBBC	TPU	16	2P $\phi$ /2P $\phi$
Timer synchronous register	TSYR	8	H'FFFBBD	TPU	16	2P $\phi$ /2P $\phi$
Timer control register_0	TCR_0	8	H'FFFC0	TPU_0	16	2P $\phi$ /2P $\phi$
Timer mode register_0	TMDR_0	8	H'FFFC1	TPU_0	16	2P $\phi$ /2P $\phi$
Timer I/O control register H_0	TIORH_0	8	H'FFFC2	TPU_0	16	2P $\phi$ /2P $\phi$
Timer I/O control register L_0	TIORL_0	8	H'FFFC3	TPU_0	16	2P $\phi$ /2P $\phi$
Timer interrupt enable register_0	TIER_0	8	H'FFFC4	TPU_0	16	2P $\phi$ /2P $\phi$
Timer status register_0	TSR_0	8	H'FFFC5	TPU_0	16	2P $\phi$ /2P $\phi$
Timer counter_0	TCNT_0	16	H'FFFC6	TPU_0	16	2P $\phi$ /2P $\phi$
Timer general register A_0	TGRA_0	16	H'FFFC8	TPU_0	16	2P $\phi$ /2P $\phi$
Timer general register B_0	TGRB_0	16	H'FFFC9	TPU_0	16	2P $\phi$ /2P $\phi$
Timer general register C_0	TGRC_0	16	H'FFFC9	TPU_0	16	2P $\phi$ /2P $\phi$
Timer general register D_0	TGRD_0	16	H'FFFC9	TPU_0	16	2P $\phi$ /2P $\phi$
Timer control register_1	TCR_1	8	H'FFFD0	TPU_1	16	2P $\phi$ /2P $\phi$
Timer mode register_1	TMDR_1	8	H'FFFD1	TPU_1	16	2P $\phi$ /2P $\phi$
Timer I/O control register_1	TIOR_1	8	H'FFFD2	TPU_1	16	2P $\phi$ /2P $\phi$
Timer interrupt enable register_1	TIER_1	8	H'FFFD4	TPU_1	16	2P $\phi$ /2P $\phi$
Timer status register_1	TSR_1	8	H'FFFD5	TPU_1	16	2P $\phi$ /2P $\phi$
Timer counter_1	TCNT_1	16	H'FFFD6	TPU_1	16	2P $\phi$ /2P $\phi$
Timer general register A_1	TGRA_1	16	H'FFFD8	TPU_1	16	2P $\phi$ /2P $\phi$
Timer general register B_1	TGRB_1	16	H'FFFDA	TPU_1	16	2P $\phi$ /2P $\phi$

Register Name	Abbreviation	Number of		Module	Data Width	Access Cycles (Read/Write)
		Bits	Address			
Timer control register_2	TCR_2	8	H'FFFE0	TPU_2	16	2P $\phi$ /2P $\phi$
Timer mode register_2	TMDR_2	8	H'FFFE1	TPU_2	16	2P $\phi$ /2P $\phi$
Timer I/O control register_2	TIOR_2	8	H'FFFE2	TPU_2	16	2P $\phi$ /2P $\phi$
Timer interrupt enable register_2	TIER_2	8	H'FFFE4	TPU_2	16	2P $\phi$ /2P $\phi$
Timer status register_2	TSR_2	8	H'FFFE5	TPU_2	16	2P $\phi$ /2P $\phi$
Timer counter_2	TCNT_2	16	H'FFFE6	TPU_2	16	2P $\phi$ /2P $\phi$
Timer general register A_2	TGRA_2	16	H'FFFE8	TPU_2	16	2P $\phi$ /2P $\phi$
Timer general register B_2	TGRB_2	16	H'FFFEA	TPU_2	16	2P $\phi$ /2P $\phi$
Timer control register_3	TCR_3	8	H'FFFF0	TPU_3	16	2P $\phi$ /2P $\phi$
Timer mode register_3	TMDR_3	8	H'FFFF1	TPU_3	16	2P $\phi$ /2P $\phi$
Timer I/O control register H_3	TIORH_3	8	H'FFFF2	TPU_3	16	2P $\phi$ /2P $\phi$
Timer I/O control register L_3	TIORL_3	8	H'FFFF3	TPU_3	16	2P $\phi$ /2P $\phi$
Timer interrupt enable register_3	TIER_3	8	H'FFFF4	TPU_3	16	2P $\phi$ /2P $\phi$
Timer status register_3	TSR_3	8	H'FFFF5	TPU_3	16	2P $\phi$ /2P $\phi$
Timer counter_3	TCNT_3	16	H'FFFF6	TPU_3	16	2P $\phi$ /2P $\phi$
Timer general register A_3	TGRA_3	16	H'FFFF8	TPU_3	16	2P $\phi$ /2P $\phi$
Timer general register B_3	TGRB_3	16	H'FFFFA	TPU_3	16	2P $\phi$ /2P $\phi$
Timer general register C_3	TGRC_3	16	H'FFFFC	TPU_3	16	2P $\phi$ /2P $\phi$
Timer general register D_3	TGRD_3	16	H'FFFFE	TPU_3	16	2P $\phi$ /2P $\phi$

Note: \* When the same output trigger is specified for pulse output groups 2 and 3 by the PCR setting, the NDRH address is H'FFF7C. When different output triggers are specified, the NDRH addresses for pulse output groups 2 and 3 are H'FFF7E and H'FFF7C, respectively. Similarly, When the same output trigger is specified for pulse output groups 0 and 1 by the PCR setting, the NDRL address is H'FFF7D. When different output triggers are specified, the NDRL addresses for pulse output groups 0 and 1 are H'FFF7F and H'FFF7D, respectively.



## 20.2 Register Bits

Register addresses and bit names of the on-chip peripheral modules are described below.

Each line covers eight bits, and 16-bit and 32-bit registers are shown as 2 or 4 lines, respectively.

Register Abbreviation	Bit 31/23/15/7	Bit 30/22/14/6	Bit 29/21/13/5	Bit 28/20/12/4	Bit 27/19/11/3	Bit 26/18/10/2	Bit 25/17/9/1	Bit 24/16/8/0	Module
P1DDR	P17DDR	P16DDR	P15DDR	P14DDR	P13DDR	P12DDR	P11DDR	P10DDR	I/O port
P2DDR	P27DDR	P26DDR	P25DDR	P24DDR	P23DDR	P22DDR	P21DDR	P20DDR	
P3DDR	P37DDR	P36DDR	P35DDR	P34DDR	P33DDR	P32DDR	P31DDR	P30DDR	
P6DDR	—	—	P65DDR	P64DDR	P63DDR	P62DDR	P61DDR	P60DDR	
PADDR	PA7DDR	PA6DDR	PA5DDR	PA4DDR	PA3DDR	PA2DDR	PA1DDR	PA0DDR	
PBDDR	—	—	—	—	PB3DDR	PB2DDR	PB1DDR	PB0DDR	
PDDDR	PD7DDR	PD6DDR	PD5DDR	PD4DDR	PD3DDR	PD2DDR	PD1DDR	PD0DDR	
PEDDR	PE7DDR	PE6DDR	PE5DDR	PE4DDR	PE3DDR	PE2DDR	PE1DDR	PE0DDR	
PFDDR	PF7DDR	PF6DDR	PF5DDR	PF4DDR	PF3DDR	PF2DDR	PF1DDR	PF0DDR	
P1ICR	P17ICR	P16ICR	P15ICR	P14ICR	P13ICR	P12ICR	P11ICR	P10ICR	
P2ICR	P27ICR	P26ICR	P25ICR	P24ICR	P23ICR	P22ICR	P21ICR	P20ICR	
P3ICR	P37ICR	P36ICR	P35ICR	P34ICR	P33ICR	P32ICR	P31ICR	P30ICR	
P5ICR	P57ICR	P56ICR	P55ICR	P54ICR	P53ICR	P52ICR	P51ICR	P50ICR	
P6ICR	—	—	P65ICR	P64ICR	P63ICR	P62ICR	P61ICR	P60ICR	
PAICR	PA7ICR	PA6ICR	PA5ICR	PA4ICR	PA3ICR	PA2ICR	PA1ICR	PA0ICR	
PBICR	—	—	—	—	PB3ICR	PB2ICR	PB1ICR	PB0ICR	
PDICR	PD7ICR	PD6ICR	PD5ICR	PD4ICR	PD3ICR	PD2ICR	PD1ICR	PD0ICR	
PEICR	PE7ICR	PE6ICR	PE5ICR	PE4ICR	PE3ICR	PE2ICR	PE1ICR	PE0ICR	
PFICR	PF7ICR	PF6ICR	PF5ICR	PF4ICR	PF3ICR	PF2ICR	PF1ICR	PF0ICR	

## Section 20 List of Registers

Register Abbreviation	Bit 31/23/15/7	Bit 30/22/14/6	Bit 29/21/13/5	Bit 28/20/12/4	Bit 27/19/11/3	Bit 26/18/10/2	Bit 25/17/9/1	Bit 24/16/8/0	Module
PORRH	PH7	PH6	PH5	PH4	PH3	PH2	PH1	PH0	I/O port
PORTI	PI7	PI6	PI5	PI4	PI3	PI2	PI1	PI0	
PHDR	PH7DR	PH6DR	PH5DR	PH4DR	PH3DR	PH2DR	PH1DR	PH0DR	
PIDR	PI7DR	PI6DR	PI5DR	PI4DR	PI3DR	PI2DR	PI1DR	PI0DR	
PHDDR	PH7DDR	PH6DDR	PH5DDR	PH4DDR	PH3DDR	PH2DDR	PH1DDR	PH0DDR	
PIDDR	PI7DDR	PI6DDR	PI5DDR	PI4DDR	PI3DDR	PI2DDR	PI1DDR	PI0DDR	
PHICR	PH7ICR	PH6ICR	PH5ICR	PH4ICR	PH3ICR	PH2ICR	PH1ICR	PH0ICR	
PIICR	PI7ICR	PI6ICR	PI5ICR	PI4ICR	PI3ICR	PI2ICR	PI1ICR	PI0ICR	
PDPCR	PD7PCR	PD6PCR	PD5PCR	PD4PCR	PD3PCR	PD2PCR	PD1PCR	PD0PCR	
PEPCR	PE7PCR	PE6PCR	PE5PCR	PE4PCR	PE3PCR	PE2PCR	PE1PCR	PE0PCR	
PFPCR	PF7PCR	PF6PCR	PF5PCR	PF4PCR	PF3PCR	PF2PCR	PF1PCR	PF0PCR	
PHPCR	PH7PCR	PH6PCR	PH5PCR	PH4PCR	PH3PCR	PH2PCR	PH1PCR	PH0PCR	
PIPCR	PI7PCR	PI6PCR	PI5PCR	PI4PCR	PI3PCR	PI2PCR	PI1PCR	PI0PCR	
P2ODR	P27ODR	P26ODR	P25ODR	P24ODR	P23ODR	P22ODR	P21ODR	P20ODR	
PFODR	PF7ODR	PF6ODR	PF5ODR	PF4ODR	PF3ODR	PF2ODR	PF1ODR	PF0ODR	
PFCR0	CS7E	CS6E	CS5E	CS4E	CS3E	CS2E	CS1E	CS0E	
PFCR1	CS7SA	CS7SB	CS6SA	CS6SB	CS5SA	CS5SB	CS4SA	CS4SB	
PFCR2	—	CS2S	BSS	BSE	—	RDWRE	ASOE	—	
PFCR4	A23E	A22E	A21E	—	—	—	—	—	
PFCR6	—	LHWROE	—	—	TCLKS	—	—	—	
PFCR7	DMAS3A	DMAS3B	DMAS2A	DMAS2B	DMAS1A	DMAS1B	DMAS0A	DMAS0B	
PFCR9	TPUMS5	TPUMS4	TPUMS3A	TPUMS3B	TPUMS2	TPUMS1	TPUMS0A	TPUMS0B	
PFCRB	—	—	—	—	ITS11	ITS10	ITS9	ITS8	
PFCRC	ITS7	ITS6	ITS5	ITS4	ITS3	ITS2	ITS1	ITS0	
SSIER	—	—	—	—	SSI11	SSI10	SSI9	SSI8	INTC
	SSI7	SSI6	SSI5	SSI4	SSI3	SSI2	SSI1	SSI0	

Register Abbreviation	Bit 31/23/15/7	Bit 30/22/14/6	Bit 29/21/13/5	Bit 28/20/12/4	Bit 27/19/11/3	Bit 26/18/10/2	Bit 25/17/9/1	Bit 24/16/8/0	Module
DSAR_0									DMAC_0
DDAR_0									
DOFR_0									
DTCR_0									
DBSR_0	BKSZH31	BKSZH30	BKSZH29	BKSZH28	BKSZH27	BKSZH26	BKSZH25	BKSZH24	
	BKSZH23	BKSZH22	BKSZH21	BKSZH20	BKSZH19	BKSZH18	BKSZH17	BKSZH16	
	BKSZ15	BKSZ14	BKSZ13	BKSZ12	BKSZ11	BKSZ10	BKSZ9	BKSZ8	
	BKSZ7	BKSZ6	BKSZ5	BKSZ4	BKSZ3	BKSZ2	BKSZ1	BKSZ0	
DMDR_0	DTE	DACKE	TENDE	—	DREQS	NRD	—	—	
	ACT	—	—	—	ERRF	—	ESIF	DTIF	
	DTSZ1	DTSZ0	MDS1	MDS0	TSEIE	—	ESIE	DTIE	
	DTF1	DTF0	DTA	—	—	DMAP2	DMAP1	DMAP0	
DACR_0	AMS	DIRS	—	—	—	RPTIE	ARS1	ARS0	
	—	—	SAT1	SAT0	—	—	DAT1	DAT0	
	SARIE	—	—	SARA4	SARA3	SARA2	SARA1	SARA0	
	DARIE	—	—	DARA4	DARA3	DARA2	DARA1	DARA0	

## Section 20 List of Registers

Register Abbreviation	Bit 31/23/15/7	Bit 30/22/14/6	Bit 29/21/13/5	Bit 28/20/12/4	Bit 27/19/11/3	Bit 26/18/10/2	Bit 25/17/9/1	Bit 24/16/8/0	Module
DSAR_1									DMAC_1
DDAR_1									
DOFR_1									
DTCR_1									
DBSR_1	BKSZH31	BKSZH30	BKSZH29	BKSZH28	BKSZH27	BKSZH26	BKSZH25	BKSZH24	
	BKSZH23	BKSZH22	BKSZH21	BKSZH20	BKSZH19	BKSZH18	BKSZH17	BKSZH16	
	BKSZ15	BKSZ14	BKSZ13	BKSZ12	BKSZ11	BKSZ10	BKSZ9	BKSZ8	
	BKSZ7	BKSZ6	BKSZ5	BKSZ4	BKSZ3	BKSZ2	BKSZ1	BKSZ0	
DMDR_1	DTE	DACKE	TENDE	—	DREQS	NRD	—	—	
	ACT	—	—	—	—	—	ESIF	DTIF	
	DTSZ1	DTSZ0	MDS1	MDS0	TSEIE	—	ESIE	DTIE	
	DTF1	DTF0	DTA	—	—	DMAP2	DMAP1	DMAP0	
DACR_1	AMS	DIRS	—	—	—	RPTIE	ARS1	ARS0	
	—	—	SAT1	SAT0	—	—	DAT1	DAT0	
	SARIE	—	—	SARA4	SARA3	SARA2	SARA1	SARA0	
	DARIE	—	—	DARA4	DARA3	DARA2	DARA1	DARA0	

Register Abbreviation	Bit 31/23/15/7	Bit 30/22/14/6	Bit 29/21/13/5	Bit 28/20/12/4	Bit 27/19/11/3	Bit 26/18/10/2	Bit 25/17/9/1	Bit 24/16/8/0	Module
DSAR_2									DMAC_2
DDAR_2									
DOFR_2									
DTCR_2									
DBSR_2	BKSZH31	BKSZH30	BKSZH29	BKSZH28	BKSZH27	BKSZH26	BKSZH25	BKSZH24	
	BKSZH23	BKSZH22	BKSZH21	BKSZH20	BKSZH19	BKSZH18	BKSZH17	BKSZH16	
	BKSZ15	BKSZ14	BKSZ13	BKSZ12	BKSZ11	BKSZ10	BKSZ9	BKSZ8	
	BKSZ7	BKSZ6	BKSZ5	BKSZ4	BKSZ3	BKSZ2	BKSZ1	BKSZ0	
DMDR_2	DTE	DACKE	TENDE	—	DREQS	NRD	—	—	
	ACT	—	—	—	—	—	ESIF	DTIF	
	DTSZ1	DTSZ0	MDS1	MDS0	TSEIE	—	ESIE	DTIE	
	DTF1	DTF0	DTA	—	—	DMAP2	DMAP1	DMAP0	
DACR_2	AMS	DIRS	—	—	—	RPTIE	ARS1	ARS0	
	—	—	SAT1	SAT0	—	—	DAT1	DAT0	
	SARIE	—	—	SARA4	SARA3	SARA2	SARA1	SARA0	
	DARIE	—	—	DARA4	DARA3	DARA2	DARA1	DARA0	

Section 20 List of Registers

Register Abbreviation	Bit 31/23/15/7	Bit 30/22/14/6	Bit 29/21/13/5	Bit 28/20/12/4	Bit 27/19/11/3	Bit 26/18/10/2	Bit 25/17/9/1	Bit 24/16/8/0	Module
DSAR_3									DMAC_3
DDAR_3									
DOFR_3									
DTCR_3									
DBSR_3	BKSZH31	BKSZH30	BKSZH29	BKSZH28	BKSZH27	BKSZH26	BKSZH25	BKSZH24	
	BKSZH23	BKSZH22	BKSZH21	BKSZH20	BKSZH19	BKSZH18	BKSZH17	BKSZH16	
	BKSZ15	BKSZ14	BKSZ13	BKSZ12	BKSZ11	BKSZ10	BKSZ9	BKSZ8	
	BKSZ7	BKSZ6	BKSZ5	BKSZ4	BKSZ3	BKSZ2	BKSZ1	BKSZ0	
DMDR_3	DTE	DACKE	TENDE	—	DREQS	NRD	—	—	
	ACT	—	—	—	—	—	ESIF	DTIF	
	DTSZ1	DTSZ0	MDS1	MDS0	TSEIE	—	ESIE	DTIE	
	DTF1	DTF0	DTA	—	—	DMAP2	DMAP1	DMAP0	
DACR_3	AMS	DIRS	—	—	—	RPTIE	ARS1	ARS0	
	—	—	SAT1	SAT0	—	—	DAT1	DAT0	
	SARIE	—	—	SARA4	SARA3	SARA2	SARA1	SARA0	
	DARIE	—	—	DARA4	DARA3	DARA2	DARA1	DARA0	

Register Abbreviation	Bit 31/23/15/7	Bit 30/22/14/6	Bit 29/21/13/5	Bit 28/20/12/4	Bit 27/19/11/3	Bit 26/18/10/2	Bit 25/17/9/1	Bit 24/16/8/0	Module
DMRSR_0									DMAC_0
DMRSR_1									DMAC_1
DMRSR_2									DMAC_2
DMRSR_3									DMAC_3
IPRA	—	IPRA14	IPRA13	IPRA12	—	IPRA10	IPRA9	IPRA8	INTC
	—	IPRA6	IPRA5	IPRA4	—	IPRA2	IPRA1	IPRA0	
IPRB	—	IPRB14	IPRB13	IPRB12	—	IPRB10	IPRB9	IPRB8	
	—	IPRB6	IPRB5	IPRB4	—	IPRB2	IPRB1	IPRB0	
IPRC	—	IPRC14	IPRC13	IPRC12	—	IPRC10	IPRC9	IPRC8	
	—	IPRC6	IPRC5	IPRC4	—	IPRC2	IPRC1	IPRC0	
IPRE	—	—	—	—	—	IPRE10	IPRE9	IPRE8	
	—	—	—	—	—	—	—	—	
IPRF	—	—	—	—	—	IPRF10	IPRF9	IPRF8	
	—	IPRF6	IPRF5	IPRF4	—	IPRF2	IPRF1	IPRF0	
IPRG	—	IPRG14	IPRG13	IPRG12	—	IPRG10	IPRG9	IPRG8	
	—	IPRG6	IPRG5	IPRG4	—	IPRG2	IPRG1	IPRG0	
IPRH	—	IPRH14	IPRH13	IPRH12	—	IPRH10	IPRH9	IPRH8	
	—	IPRH6	IPRH5	IPRH4	—	IPRH2	IPRH1	IPRH0	
IPRI	—	IPRI14	IPRI13	IPRI12	—	IPRI10	IPRI9	IPRI8	
	—	IPRI6	IPRI5	IPRI4	—	IPRI2	IPRI1	IPRI0	
IPRK	—	IPRK14	IPRK13	IPRK12	—	—	—	—	
	—	IPRK6	IPRK5	IPRK4	—	IPRK2	IPRK1	IPRK0	
IPRL	—	IPRL14	IPRL13	IPRL12	—	IPRL10	IPRL9	IPRL8	
	—	IPRL6	IPRL5	IPRL4	—	—	—	—	
ISCRH	—	—	—	—	—	—	—	—	
	IRQ11SR	IRQ11SF	IRQ10SR	IRQ10SF	IRQ9SR	IRQ9SF	IRQ8SR	IRQ8SF	
ISCRL	IRQ7SR	IRQ7SF	IRQ6SR	IRQ6SF	IRQ5SR	IRQ5SF	IRQ4SR	IRQ4SF	
	IRQ3SR	IRQ3SF	IRQ2SR	IRQ2SF	IRQ1SR	IRQ1SF	IRQ0SR	IRQ0SF	

Section 20 List of Registers

Register Abbreviation	Bit 31/23/15/7	Bit 30/22/14/6	Bit 29/21/13/5	Bit 28/20/12/4	Bit 27/19/11/3	Bit 26/18/10/2	Bit 25/17/9/1	Bit 24/16/8/0	Module
DTCVBR									BSC
ABWCR	ABWH7 ABWL7	ABWH6 ABWL6	ABWH5 ABWL5	ABWH4 ABWL4	ABWH3 ABWL3	ABWH2 ABWL2	ABWH1 ABWL1	ABWH0 ABWL0	
ASTCR	AST7 —	AST6 —	AST5 —	AST4 —	AST3 —	AST2 —	AST1 —	AST0 —	
WTCRA	— —	W72 W52	W71 W51	W70 W50	— —	W62 W42	W61 W41	W60 W40	
WTCRB	— —	W32 W12	W31 W11	W30 W10	— —	W22 W02	W21 W01	W20 W00	
RDNCR	RDN7 —	RDN6 —	RDN5 —	RDN4 —	RDN3 —	RDN2 —	RDN1 —	RDN0 —	
CSACR	CSXH7 CSXT7	CSXH6 CSXT6	CSXH5 CSXT5	CSXH4 CSXT4	CSXH3 CSXT3	CSXH2 CSXT2	CSXH1 CSXT1	CSXH0 CSXT0	
IDLCR	IDLS3 IDLSEL7	IDLS2 IDLSEL6	IDLS1 IDLSEL5	IDLS0 IDLSEL4	IDLCB1 IDLSEL3	IDLCB0 IDLSEL2	IDLCA1 IDLSEL1	IDLCA0 IDLSEL0	
BCR1	BRLE DKC	BREQOE —	— —	— —	— —	— —	WDBE —	WAITE —	
BCR2	—	—	—	IBCCS	—	—	—	PWDBE	
ENDIANCR	LE7	LE6	LE5	LE4	LE3	LE2	—	—	
SRAMCR	BCSEL7 —	BCSEL6 —	BCSEL5 —	BCSEL4 —	BCSEL3 —	BCSEL2 —	BCSEL1 —	BCSEL0 —	
BROMCR	BSRM0 BSRM1	BSTS02 BSTS12	BSTS01 BSTS11	BSTS00 BSTS10	— —	— —	BSWD01 BSWD11	BSWD00 BSWD10	
MPXCR	MPXE7 —	MPXE6 —	MPXE5 —	MPXE4 —	MPXE3 —	— —	— —	— ADDEX	
MDCR	— —	— —	— —	— —	— —	MDS2 —	MDS1 —	MDS0 —	SYSTEM



Register Abbreviation	Bit 31/23/15/7	Bit 30/22/14/6	Bit 29/21/13/5	Bit 28/20/12/4	Bit 27/19/11/3	Bit 26/18/10/2	Bit 25/17/9/1	Bit 24/16/8/0	Module
SYSCR	—	—	MACS	—	FETCHMD	—	EXPE	RAME	SYSTEM
	—	—	—	—	—	—	DTCMD	—	
SCKCR	PSTOP1	—	POSEL1	—	—	ICK2	ICK1	ICK0	
	—	PCK2	PCK1	PCK0	—	BCK2	BCK1	BCK0	
SBYCR	SSBY	OPE	—	STS4	STS3	STS2	STS1	STS0	
	SLPIE	—	—	—	—	—	—	—	
MSTPCRA	ACSE	MSTPA14	MSTPA13	MSTPA12	MSTPA11	MSTPA10	MSTPA9	MSTPA8	
	—	MSTPA7	MSTPA6	MSTPA5	MSTPA4	MSTPA3	MSTPA2	MSTPA1	
MSTPCRB	MSTPB15	MSTPB14	MSTPB13	MSTPB12	MSTPB11	MSTPB10	MSTPB9	MSTPB8	
	—	MSTPB7	MSTPB6	MSTPB5	MSTPB4	MSTPB3	MSTPB2	MSTPB1	
MSTPCRC	MSTPC15	MSTPC14	MSTPC13	MSTPC12	MSTPC11	MSTPC10	MSTPC9	MSTPC8	
	—	MSTPC7	MSTPC6	MSTPC5	MSTPC4	MSTPC3	MSTPC2	MSTPC1	
SEMR_2	—	—	—	—	ABCS	ACS2	ACS1	ACS0	SCI_2
SMR_3* <sup>1</sup>	C/ $\bar{A}$	CHR	PE	O/ $\bar{E}$	STOP	MP	CKS1	CKS0	SCI_3
	(GM)	(BLK)	(PE)	(O/ $\bar{E}$ )	(BCP0)	(BCP0)	—	—	
BRR_3	—	—	—	—	—	—	—	—	—
SCR_3* <sup>1</sup>	TIE	RIE	TE	RE	MPIE	TEIE	CKE1	CKE0	
TDR_3	—	—	—	—	—	—	—	—	—
SSR_3* <sup>1</sup>	TDRE	RDRF	ORER	FER (ERS)	PER	TEND	MPB	MPBT	
RDR_3	—	—	—	—	—	—	—	—	—
SCMR_3	—	—	—	—	SDIR	SINV	—	SMIF	
SMR_4* <sup>1</sup>	C/ $\bar{A}$	CHR	PE	O/ $\bar{E}$	STOP	MP	CKS1	CKS0	SCI_4
	(GM)	(BLK)	(PE)	(O/ $\bar{E}$ )	(BCP1)	(BCP0)	—	—	
BRR_4	—	—	—	—	—	—	—	—	—
SCR_4* <sup>1</sup>	TIE	RIE	TE	RE	MPIE	TEIE	CKE1	CKE0	
TDR_4	—	—	—	—	—	—	—	—	—
SSR_4* <sup>1</sup>	TDRE	RDRF	ORER	FER (ERS)	PER	TEND	MPB	MPBT	
RDR_4	—	—	—	—	—	—	—	—	—
SCMR_4	—	—	—	—	SDIR	SINV	—	SMIF	

Section 20 List of Registers

Register Abbreviation	Bit 31/23/15/7	Bit 30/22/14/6	Bit 29/21/13/5	Bit 28/20/12/4	Bit 27/19/11/3	Bit 26/18/10/2	Bit 25/17/9/1	Bit 24/16/8/0	Module
TCR_2	CMIEB	CMIEA	OVIE	CCLR1	CCLR0	CKS2	CKS1	CKS0	TMR_2
TCR_3	CMIEB	CMIEA	OVIE	CCLR1	CCLR0	CKS2	CKS1	CKS0	TMR_3
TCSR_2	CMFB	CMFA	OVF	ADTE	OS3	OS2	OS1	OS0	TMR_2
TCSR_3	CMFB	CMFA	OVF	—	OS3	OS2	OS1	OS0	TMR_3
TCORA_2									TMR_2
TCORA_3									TMR_3
TCORB_2									TMR_2
TCORB_3									TMR_3
TCNT_2									TMR_2
TCNT_3									TMR_3
TCCR_2	—	—	—	—	TMRIS	—	ICKS1	ICKS0	TMR_2
TCCR_3	—	—	—	—	TMRIS	—	ICKS1	ICKS0	TMR_3
TCR_4	—	CCLR1	CCLR0	CKEG1	CKEG0	TPSC2	TPSC1	TPSC0	TPU_4
TMDR_4	—	—	—	—	—	MD2	MD1	MD0	
TIOR_4	IOB3	IOB2	IOB1	IOB0	IOA3	IOA2	IOA1	IOA0	
TIER_4	TTGE	—	TCIEU	TCIEV	—	—	TGIEB	TGIEA	
TSR_4	TCFD	—	TCFU	TCFV	—	—	TGFB	TGFA	
TCNT_4									
TGRA_4									
TGRB_4									
TCR_5	—	CCLR1	CCLR0	CKEG1	CKEG0	TPSC2	TPSC1	TPSC0	TPU_5
TMDR_5	—	—	—	—	—	MD2	MD1	MD0	
TIOR_5	IOB3	IOB2	IOB1	IOB0	IOA3	IOA2	IOA1	IOA0	
TIER_5	TTGE	—	TCIEU	TCIEV	—	—	TGIEB	TGIEA	
TSR_5	TCFD	—	TCFU	TCFV	—	—	TGFB	TGFA	
TCNT_5									

Register Abbreviation	Bit 31/23/15/7	Bit 30/22/14/6	Bit 29/21/13/5	Bit 28/20/12/4	Bit 27/19/11/3	Bit 26/18/10/2	Bit 25/17/9/1	Bit 24/16/8/0	Module
TGRA_5									TPU_5
TGRB_5									
DTCERA	DTCE15	DTCE14	DTCE13	DTCE12	DTCE11	DTCE10	DTCE9	DTCE8	INTC
	DTCE7	DTCE6	DTCE5	DTCE4	DTCE3	DTCE2	DTCE1	DTCE0	
DTCERB	DTCE15	DTCE14	DTCE13	DTCE12	DTCE11	DTCE10	DTCE9	DTCE8	
	DTCE7	DTCE6	DTCE5	DTCE4	DTCE3	DTCE2	DTCE1	DTCE0	
DTCERC	DTCE15	DTCE14	DTCE13	DTCE12	DTCE11	DTCE10	DTCE9	DTCE8	
	DTCE7	DTCE6	DTCE5	DTCE4	DTCE3	DTCE2	DTCE1	DTCE0	
DTCERD	DTCE15	DTCE14	DTCE13	DTCE12	DTCE11	DTCE10	DTCE9	DTCE8	
	DTCE7	DTCE6	DTCE5	DTCE4	DTCE3	DTCE2	DTCE1	DTCE0	
DTCERE	DTCE15	DTCE14	DTCE13	DTCE12	DTCE11	DTCE10	DTCE9	DTCE8	
	DTCE7	DTCE6	DTCE5	DTCE4	DTCE3	DTCE2	DTCE1	DTCE0	
DTCERF	DTCE15	DTCE14	DTCE13	DTCE12	DTCE11	DTCE10	DTCE9	DTCE8	
	DTCE7	DTCE6	DTCE5	DTCE4	DTCE3	DTCE2	DTCE1	DTCE0	
DTCERG	DTCE15	DTCE14	DTCE13	DTCE12	DTCE11	DTCE10	DTCE9	DTCE8	
	DTCE7	DTCE6	DTCE5	DTCE4	DTCE3	DTCE2	DTCE1	DTCE0	
DTCERH	DTCE15	DTCE14	DTCE13	DTCE12	DTCE11	DTCE10	DTCE9	DTCE8	
	DTCE7	DTCE6	DTCE5	DTCE4	DTCE3	DTCE2	DTCE1	DTCE0	
DTCCR	—	—	—	RRS	RCHNE	—	—	ERR	
INTCR	—	—	INTM1	INTM0	NMIEG	—	—	—	
CPUPCR	CPUPCE	DTCP2	DTCP1	DTCP0	IPSETE	CPUP2	CPUP1	CPUP0	
IER	—	—	—	—	IRQ11E	IRQ10E	IRQ9E	IRQ8E	
	IRQ7E	IRQ6E	IRQ5E	IRQ4E	IRQ3E	IRQ2E	IRQ1E	IRQ0E	
ISR	—	—	—	—	IRQ11F	IRQ10F	IRQ9F	IRQ8F	
	IRQ7F	IRQ6F	IRQ5F	IRQ4F	IRQ3F	IRQ2F	IRQ1F	IRQ0F	

## Section 20 List of Registers

Register Abbreviation	Bit 31/23/15/7	Bit 30/22/14/6	Bit 29/21/13/5	Bit 28/20/12/4	Bit 27/19/11/3	Bit 26/18/10/2	Bit 25/17/9/1	Bit 24/16/8/0	Module
PORT1	P17	P16	P15	P14	P13	P12	P11	P10	I/O port
PORT2	P27	P26	P25	P24	P23	P22	P21	P20	
PORT3	P37	P36	P35	P34	P33	P32	P31	P30	
PORT5	P57	P56	P55	P54	P53	P52	P51	P50	
PORT6	—	—	P65	P64	P63	P62	P61	P60	
PORTA	PA7	PA6	PA5	PA4	PA3	PA2	PA1	PA0	
PORTB	—	—	—	—	PB3	PB2	PB1	PB0	
PORTD	PD7	PD6	PD5	PD4	PD3	PD2	PD1	PD0	
PORTE	PE7	PE6	PE5	PE4	PE3	PE2	PE1	PE0	
PORTF	PF7	PF6	PF5	PF4	PF3	PF2	PF1	PF0	
P1DR	P17DR	P16DR	P15DR	P14DR	P13DR	P12DR	P11DR	P10DR	
P2DR	P27DR	P26DR	P25DR	P24DR	P23DR	P22DR	P21DR	P20DR	
P3DR	P37DR	P36DR	P35DR	P34DR	P33DR	P32DR	P31DR	P30DR	
P6DR	—	—	P65DR	P64DR	P63DR	P62DR	P61DR	P60DR	
PADR	PA7DR	PA6DR	PA5DR	PA4DR	PA3DR	PA2DR	PA1DR	PA0DR	
PBDR	—	—	—	—	PB3DR	PB2DR	PB1DR	PB0DR	
PDDR	PD7DR	PD6DR	PD5DR	PD4DR	PD3DR	PD2DR	PD1DR	PD0DR	
PEDR	PE7DR	PE6DR	PE5DR	PE4DR	PE3DR	PE2DR	PE1DR	PE0DR	
PFDR	PF7DR	PF6DR	PF5DR	PF4DR	PF3DR	PF2DR	PF1DR	PF0DR	
SMR_2* <sup>1</sup>	C/Ā (GM)	CHR (BLK)	PE (PE)	O/Ē (O/Ē)	STOP (BCP1)	MP (BCP0)	CKS1	CKS0	SCI_2
BRR_2									
SCR_2* <sup>1</sup>	TIE	RIE	TE	RE	MPIE	TEIE	CKE1	CKE0	
TDR_2									
SSR_2* <sup>1</sup>	TDRE	RDRF	ORER	FER (ERS)	PER	TEND	MPB	MPBT	
RDR_2									
SCMR_2	—	—	—	—	SDIR	SINV	—	SMIF	

Register Abbreviation	Bit 31/23/15/7	Bit 30/22/14/6	Bit 29/21/13/5	Bit 28/20/12/4	Bit 27/19/11/3	Bit 26/18/10/2	Bit 25/17/9/1	Bit 24/16/8/0	Module
DADR0									D/A
DADR1									
DACR01	DAOE1	DAOE0	DAE	—	—	—	—	—	
PCR	G3CMS1	G3CMS0	G2CMS1	G2CMS0	G1CMS1	G1CMS0	G0CMS1	G0CMS0	PPG
PMR	G3INV	G2INV	G1INV	G0INV	G3NOV	G2NOV	G1NOV	G0NOV	
NDERH	NDER15	NDER14	NDER13	NDER12	NDER11	NDER10	NDER9	NDER8	
NDERL	NDER7	NDER6	NDER5	NDER4	NDER3	NDER2	NDER1	NDER0	
PODRH	POD15	POD14	POD13	POD12	POD11	POD10	POD9	POD8	
PODRL	POD7	POD6	POD5	POD4	POD3	POD2	POD1	POD0	
NDRH* <sup>2</sup>	NDR15	NDR14	NDR13	NDR12	NDR11	NDR10	NDR9	NDR8	
NDRL* <sup>2</sup>	NDR7	NDR6	NDR5	NDR4	NDR3	NDR2	NDR1	NDR0	
NDRH* <sup>2</sup>	—	—	—	—	NDR11	NDR10	NDR9	NDR8	
NDRL* <sup>2</sup>	—	—	—	—	NDR3	NDR2	NDR1	NDR0	
SMR_0* <sup>1</sup>	C/ $\bar{A}$ (GM)	CHR (BLK)	PE (PE)	O/ $\bar{E}$ (O/ $\bar{E}$ )	STOP (BCP1)	MP (BCP0)	CKS1	CKS0	SCI_0
BRR_0									
SCR_0* <sup>1</sup>	TIE	RIE	TE	RE	MPIE	TEIE	CKE1	CKE0	
TDR_0									
SSR_0* <sup>1</sup>	TDRE	RDRF	ORER	FER (ERS)	PER	TEND	MPB	MPBT	
RDR_0									
SCMR_0	—	—	—	—	SDIR	SINV	—	SMIF	
SMR_1* <sup>1</sup>	C/ $\bar{A}$ (GM)	CHR (BLK)	PE (PE)	O/ $\bar{E}$ (O/ $\bar{E}$ )	STOP (BCP1)	MP (BCP0)	CKS1	CKS0	SCI_1
BRR_1									
SCR_1* <sup>1</sup>	TIE	RIE	TE	RE	MPIE	TEIE	CKE1	CKE0	
TDR_1									
SSR_1* <sup>1</sup>	TDRE	RDRF	ORER	FER (ERS)	PER	TEND	MPB	MPBT	
RDR_1									
SCMR_1	—	—	—	—	SDIR	SINV	—	SMIF	

Section 20 List of Registers

Register Abbreviation	Bit 31/23/15/7	Bit 30/22/14/6	Bit 29/21/13/5	Bit 28/20/12/4	Bit 27/19/11/3	Bit 26/18/10/2	Bit 25/17/9/1	Bit 24/16/8/0	Module
ADDRA									A/D
ADDRB									
ADDRC									
ADDRD									
ADDRE									
ADDRF									
ADDRG									
ADDRH									
ADCSR	ADF	ADIE	ADST	—	CH3	CH2	CH1	CH0	
ADCR	TRGS1	TRGS0	SCANE	SCANS	CKS1	CKS0	—	—	
TCSR	OVF	WT/ $\bar{T}$	TME	—	—	CKS2	CKS1	CKS0	WDT
TCNT									
RSTCSR	WOVF	RSTE	—	—	—	—	—	—	
TCR_0	CMIEB	CMIEA	OVIE	CCLR1	CCLR0	CKS2	CKS1	CKS0	TMR_0
TCR_1	CMIEB	CMIEA	OVIE	CCLR1	CCLR0	CKS2	CKS1	CKS0	TMR_1
TCSR_0	CMFB	CMFA	OVF	ADTE	OS3	OS2	OS1	OS0	TMR_0
TCSR_1	CMFB	CMFA	OVF	—	OS3	OS2	OS1	OS0	TMR_1

Register Abbreviation	Bit 31/23/15/7	Bit 30/22/14/6	Bit 29/21/13/5	Bit 28/20/12/4	Bit 27/19/11/3	Bit 26/18/10/2	Bit 25/17/9/1	Bit 24/16/8/0	Module
TCORA_0									TMR_0
TCORA_1									TMR_1
TCORB_0									TMR_0
TCORB_1									TMR_1
TCNT_0									TMR_0
TCNT_1									TMR_1
TCCR_0	—	—	—	—	TMRIS	—	ICKS1	ICKS0	TMR_0
TCCR_1	—	—	—	—	TMRIS	—	ICKS1	ICKS0	TMR_1
TSTR	—	—	CST5	CST4	CST3	CST2	CST1	CST0	TPU
TSYR	—	—	SYNC5	SYNC4	SYNC3	SYNC2	SYNC1	SYNC0	
TCR_0	CCLR2	CCLR1	CCLR0	CKEG1	CKEG0	TPSC2	TPSC1	TPSC0	TPU_0
TMDR_0	—	—	BFB	BFA	—	MD2	MD1	MD0	
TIORH_0	IOB3	IOB2	IOB1	IOB0	IOA3	IOA2	IOA1	IOA0	
TIORL_0	IOD3	IOD2	IOD1	IOD0	IOC3	IOC2	IOC1	IOC0	
TIER_0	TTGE	—	TCIEU	TCIEV	TGIED	TGIEC	TGIEB	TGIEA	
TSR_0	TCFD	—	—	TCFV	TGFD	TGFC	TGFB	TGFA	
TCNT_0									
TGRA_0									
TGRB_0									
TGRC_0									
TGRD_0									

## Section 20 List of Registers

Register Abbreviation	Bit 31/23/15/7	Bit 30/22/14/6	Bit 29/21/13/5	Bit 28/20/12/4	Bit 27/19/11/3	Bit 26/18/10/2	Bit 25/17/9/1	Bit 24/16/8/0	Module
TCR_1	—	CCLR1	CCLR0	CKEG1	CKEG0	TPSC2	TPSC1	TPSC0	TPU_1
TMDR_1	—	—	—	—	MD3	MD2	MD1	MD0	
TIOR_1	IOB3	IOB2	IOB1	IOB0	IOA3	IOA2	IOA1	IOA0	
TIER_1	TTGE	—	TCIEU	TCIEV	—	—	TGIEB	TGIEA	
TSR_1	TCFD	—	TCFU	TCFV	TGFD	—	TGFB	TGFA	
TCNT_1	_____								
TGRA_1	_____								
TGRB_1	_____								
TCR_2	—	CCLR1	CCLR0	CKEG1	CKEG0	TPSC2	TPSC1	TPSC0	TPU_2
TMDR_2	—	—	—	—	—	MD2	MD1	MD0	
TIOR_2	IOB3	IOB2	IOB1	IOB0	IOA3	IOA2	IOA1	IOA0	
TIER_2	TTGE	—	TCIEU	TCIEV	—	—	TGIEB	TGIEA	
TSR_2	TCFD	—	TCFU	TCFV	—	—	TGFB	TGFA	
TCNT_2	_____								
TGRA_2	_____								
TGRB_2	_____								
TCR_3	CCLR2	CCLR1	CCLR0	CKEG1	CKEG0	TPSC2	TPSC1	TPSC0	TPU_3
TMDR_3	—	—	BFB	BFA	—	MD2	MD1	MD0	
TIORH_3	IOB3	IOB2	IOB1	IOB0	IOA3	IOA2	IOA1	IOA0	
TIORL_3	IOD3	IOD2	IOD1	IOD0	IOC3	IOC2	IOC1	IOC0	
TIER_3	TTGE	—	TCIEU	TCIEV	TGIED	TGIEC	TGIEB	TGIEA	
TSR_3	TCFD	—	—	TCFV	TGFD	TGFC	TGFB	TGFA	



Register Abbreviation	Bit 31/23/15/7	Bit 30/22/14/6	Bit 29/21/13/5	Bit 28/20/12/4	Bit 27/19/11/3	Bit 26/18/10/2	Bit 25/17/9/1	Bit 24/16/8/0	Module
TCNT_3									TPU_3
TGRA_3									
TGRB_3									
TGRC_3									
TGRD_3									

- Notes:
- Parts of the bit functions differ in normal mode and the smart card interface.
  - When the same output trigger is specified for pulse output groups 2 and 3 by the PCR setting, the NDRH address is H'FFF7C. When different output triggers are specified, the NDRH addresses for pulse output groups 2 and 3 are H'FFF7E and H'FFF7C, respectively. Similarly, When the same output trigger is specified for pulse output groups 0 and 1 by the PCR setting, the NDRL address is H'FFF7D. When different output triggers are specified, the NDRL addresses for pulse output groups 0 and 1 are H'FFF7F and H'FFF7D, respectively.

## 20.3 Register States in Each Operating Mode

Register Abbreviation	Reset	Sleep	Module Stop	All-Module- Clock-Stop	Software Standby	Hardware Standby	Module
P1DDR	Initialized	—	—	—	—	Initialized	I/O port
P2DDR	Initialized	—	—	—	—	Initialized	
P3DDR	Initialized	—	—	—	—	Initialized	
P6DDR	Initialized	—	—	—	—	Initialized	
PADDR	Initialized	—	—	—	—	Initialized	
PBDDR	Initialized	—	—	—	—	Initialized	
PDDDR	Initialized	—	—	—	—	Initialized	
PEDDR	Initialized	—	—	—	—	Initialized	
PFDDR	Initialized	—	—	—	—	Initialized	
P1ICR	Initialized	—	—	—	—	Initialized	
P2ICR	Initialized	—	—	—	—	Initialized	
P3ICR	Initialized	—	—	—	—	Initialized	
P5ICR	Initialized	—	—	—	—	Initialized	
P6ICR	Initialized	—	—	—	—	Initialized	
PAICR	Initialized	—	—	—	—	Initialized	
PBICR	Initialized	—	—	—	—	Initialized	
PDICR	Initialized	—	—	—	—	Initialized	
PEICR	Initialized	—	—	—	—	Initialized	
PFICR	Initialized	—	—	—	—	Initialized	
PORTH	—	—	—	—	—	—	
PORTI	—	—	—	—	—	—	
PHDR	Initialized	—	—	—	—	Initialized	
PIDR	Initialized	—	—	—	—	Initialized	
PHDDR	Initialized	—	—	—	—	Initialized	
PIDDR	Initialized	—	—	—	—	Initialized	

Register Abbreviation	Reset	Sleep	Module Stop	All-Module-Clock-Stop	Software Standby	Hardware Standby	Module
PHICR	Initialized	—	—	—	—	Initialized	I/O port
PIICR	Initialized	—	—	—	—	Initialized	
PDPCR	Initialized	—	—	—	—	Initialized	
PEPCR	Initialized	—	—	—	—	Initialized	
PFPCR	Initialized	—	—	—	—	Initialized	
PHPCR	Initialized	—	—	—	—	Initialized	
PIPCR	Initialized	—	—	—	—	Initialized	
P2ODR	Initialized	—	—	—	—	Initialized	
PFODR	Initialized	—	—	—	—	Initialized	
PFCR0	Initialized	—	—	—	—	Initialized	
PFCR1	Initialized	—	—	—	—	Initialized	
PFCR2	Initialized	—	—	—	—	Initialized	
PFCR4	Initialized	—	—	—	—	Initialized	
PFCR6	Initialized	—	—	—	—	Initialized	
PFCR7	Initialized	—	—	—	—	Initialized	
PFCR9	Initialized	—	—	—	—	Initialized	
PFCRB	Initialized	—	—	—	—	Initialized	
PFCRC	Initialized	—	—	—	—	Initialized	
SSIER	Initialized	—	—	—	—	Initialized	INTC
DSAR_0	Initialized	—	—	—	—	Initialized	DMAC_0
DDAR_0	Initialized	—	—	—	—	Initialized	
DOFR_0	Initialized	—	—	—	—	Initialized	
DTCR_0	Initialized	—	—	—	—	Initialized	
DBSR_0	Initialized	—	—	—	—	Initialized	
DMDR_0	Initialized	—	—	—	—	Initialized	
DACR_0	Initialized	—	—	—	—	Initialized	

Register Abbreviation	Reset	Sleep	Module Stop	All-Module-Clock-Stop	Software Standby	Hardware Standby	Module
DSAR_1	Initialized	—	—	—	—	Initialized	DMAC_1
DDAR_1	Initialized	—	—	—	—	Initialized	
DOFR_1	Initialized	—	—	—	—	Initialized	
DTCR_1	Initialized	—	—	—	—	Initialized	
DBSR_1	Initialized	—	—	—	—	Initialized	
DMDR_1	Initialized	—	—	—	—	Initialized	
DACR_1	Initialized	—	—	—	—	Initialized	
DSAR_2	Initialized	—	—	—	—	Initialized	DMAC_2
DDAR_2	Initialized	—	—	—	—	Initialized	
DOFR_2	Initialized	—	—	—	—	Initialized	
DTCR_2	Initialized	—	—	—	—	Initialized	
DBSR_2	Initialized	—	—	—	—	Initialized	
DMDR_2	Initialized	—	—	—	—	Initialized	
DACR_2	Initialized	—	—	—	—	Initialized	
DSAR_3	Initialized	—	—	—	—	Initialized	DMAC_3
DDAR_3	Initialized	—	—	—	—	Initialized	
DOFR_3	Initialized	—	—	—	—	Initialized	
DTCR_3	Initialized	—	—	—	—	Initialized	
DBSR_3	Initialized	—	—	—	—	Initialized	
DMDR_3	Initialized	—	—	—	—	Initialized	
DACR_3	Initialized	—	—	—	—	Initialized	
DMRSR_0	Initialized	—	—	—	—	Initialized	DMAC_0
DMRSR_1	Initialized	—	—	—	—	Initialized	DMAC_1
DMRSR_2	Initialized	—	—	—	—	Initialized	DMAC_2
DMRSR_3	Initialized	—	—	—	—	Initialized	DMAC_3

Register Abbreviation	Reset	Sleep	Module Stop	All-Module-Clock-Stop	Software Standby	Hardware Standby	Module	
IPRA	Initialized	—	—	—	—	Initialized	INTC	
IPRB	Initialized	—	—	—	—	Initialized		
IPRC	Initialized	—	—	—	—	Initialized		
IPRE	Initialized	—	—	—	—	Initialized		
IPRF	Initialized	—	—	—	—	Initialized		
IPRG	Initialized	—	—	—	—	Initialized		
IPRH	Initialized	—	—	—	—	Initialized		
IPRI	Initialized	—	—	—	—	Initialized		
IPRK	Initialized	—	—	—	—	Initialized		
IPRL	Initialized	—	—	—	—	Initialized		
ISCRH	Initialized	—	—	—	—	Initialized		
ISURL	Initialized	—	—	—	—	Initialized		
DTCVBR	Initialized	—	—	—	—	Initialized		BSC
ABWCR	Initialized	—	—	—	—	Initialized		
ASTCR	Initialized	—	—	—	—	Initialized		
WTCRA	Initialized	—	—	—	—	Initialized		
WTCRB	Initialized	—	—	—	—	Initialized		
RDNCR	Initialized	—	—	—	—	Initialized		
CSACR	Initialized	—	—	—	—	Initialized		
IDLCR	Initialized	—	—	—	—	Initialized		
BCR1	Initialized	—	—	—	—	Initialized		
BCR2	Initialized	—	—	—	—	Initialized		
ENDIANCR	Initialized	—	—	—	—	Initialized		
SRAMCR	Initialized	—	—	—	—	Initialized		
BROMCR	Initialized	—	—	—	—	Initialized		
MPXCR	Initialized	—	—	—	—	Initialized		

Register Abbreviation	Reset	Sleep	Module Stop	All-Module-Clock-Stop	Software Standby	Hardware Standby	Module
MDCR	Initialized	—	—	—	—	Initialized	SYSTEM
SYSCR	Initialized	—	—	—	—	Initialized	
SCKCR	Initialized	—	—	—	—	Initialized	
SBYCR	Initialized	—	—	—	—	Initialized	
MSTPCRA	Initialized	—	—	—	—	Initialized	
MSTPCRB	Initialized	—	—	—	—	Initialized	
MSTPCRC	Initialized	—	—	—	—	Initialized	
SEMR_2	Initialized	—	—	—	—	Initialized	SCI_2
SMR_3	Initialized	—	—	—	—	Initialized	SCI_3
BRR_3	Initialized	—	—	—	—	Initialized	
SCR_3	Initialized	—	—	—	—	Initialized	
TDR_3	Initialized	—	Initialized	Initialized	Initialized	Initialized	
SSR_3	Initialized	—	Initialized	Initialized	Initialized	Initialized	
RDR_3	Initialized	—	Initialized	Initialized	Initialized	Initialized	
SCMR_3	Initialized	—	—	—	—	Initialized	
SMR_4	Initialized	—	—	—	—	Initialized	SCI_4
BRR_4	Initialized	—	—	—	—	Initialized	
SCR_4	Initialized	—	—	—	—	Initialized	
TDR_4	Initialized	—	Initialized	Initialized	Initialized	Initialized	
SSR_4	Initialized	—	Initialized	Initialized	Initialized	Initialized	
RDR_4	Initialized	—	Initialized	Initialized	Initialized	Initialized	
SCMR_4	Initialized	—	—	—	—	Initialized	
TCR_2	Initialized	—	—	—	—	Initialized	TMR_2
TCR_3	Initialized	—	—	—	—	Initialized	TMR_3
TCSR_2	Initialized	—	—	—	—	Initialized	TMR_2
TCSR_3	Initialized	—	—	—	—	Initialized	TMR_3
TCORA_2	Initialized	—	—	—	—	Initialized	TMR_2
TCORA_3	Initialized	—	—	—	—	Initialized	TMR_3
TCORB_2	Initialized	—	—	—	—	Initialized	TMR_2
TCORB_3	Initialized	—	—	—	—	Initialized	TMR_3

Register Abbreviation	Reset	Sleep	Module Stop	All-Module-Clock-Stop	Software Standby	Hardware Standby	Module
TCNT_2	Initialized	—	—	—	—	Initialized	TMR_2
TCNT_3	Initialized	—	—	—	—	Initialized	TMR_3
TCCR_2	Initialized	—	—	—	—	Initialized	TMR_2
TCCR_3	Initialized	—	—	—	—	Initialized	TMR_3
TCR_4	Initialized	—	—	—	—	Initialized	TPU_4
TMDR_4	Initialized	—	—	—	—	Initialized	
TIOR_4	Initialized	—	—	—	—	Initialized	
TIER_4	Initialized	—	—	—	—	Initialized	
TSR_4	Initialized	—	—	—	—	Initialized	
TCNT_4	Initialized	—	—	—	—	Initialized	
TGRA_4	Initialized	—	—	—	—	Initialized	
TGRB_4	Initialized	—	—	—	—	Initialized	
TCR_5	Initialized	—	—	—	—	Initialized	TPU_5
TMDR_5	Initialized	—	—	—	—	Initialized	
TIOR_5	Initialized	—	—	—	—	Initialized	
TIER_5	Initialized	—	—	—	—	Initialized	
TSR_5	Initialized	—	—	—	—	Initialized	
TCNT_5	Initialized	—	—	—	—	Initialized	
TGRA_5	Initialized	—	—	—	—	Initialized	
TGRB_5	Initialized	—	—	—	—	Initialized	
DTCERA	Initialized	—	—	—	—	Initialized	INTC
DTCERB	Initialized	—	—	—	—	Initialized	
DTCERC	Initialized	—	—	—	—	Initialized	
DTCERD	Initialized	—	—	—	—	Initialized	
DTCERE	Initialized	—	—	—	—	Initialized	
DTCERF	Initialized	—	—	—	—	Initialized	
DTCERG	Initialized	—	—	—	—	Initialized	
DTCERH	Initialized	—	—	—	—	Initialized	
DTCCR	Initialized	—	—	—	—	Initialized	
INTCR	Initialized	—	—	—	—	Initialized	

Register Abbreviation	Reset	Sleep	Module Stop	All-Module- Clock-Stop	Software Standby	Hardware Standby	Module
CPUPCR	Initialized	—	—	—	—	Initialized	INTC
IER	Initialized	—	—	—	—	Initialized	
ISR	Initialized	—	—	—	—	Initialized	
PORT1	—	—	—	—	—	—	I/O port
PORT2	—	—	—	—	—	—	
PORT3	—	—	—	—	—	—	
PORT5	—	—	—	—	—	—	
PORT6	—	—	—	—	—	—	
PORTA	—	—	—	—	—	—	
PORTB	—	—	—	—	—	—	
PORTD	—	—	—	—	—	—	
PORTE	—	—	—	—	—	—	
PORTF	—	—	—	—	—	—	
P1DR	Initialized	—	—	—	—	Initialized	
P2DR	Initialized	—	—	—	—	Initialized	
P3DR	Initialized	—	—	—	—	Initialized	
P6DR	Initialized	—	—	—	—	Initialized	
PADR	Initialized	—	—	—	—	Initialized	
PBDR	Initialized	—	—	—	—	Initialized	
PDDR	Initialized	—	—	—	—	Initialized	
PEDR	Initialized	—	—	—	—	Initialized	
PFDR	Initialized	—	—	—	—	Initialized	
SMR_2	Initialized	—	—	—	—	Initialized	SCI_2
BRR_2	Initialized	—	—	—	—	Initialized	
SCR_2	Initialized	—	—	—	—	Initialized	
TDR_2	Initialized	—	Initialized	Initialized	Initialized	Initialized	
SSR_2	Initialized	—	Initialized	Initialized	Initialized	Initialized	
RDR_2	Initialized	—	Initialized	Initialized	Initialized	Initialized	
SCMR_2	Initialized	—	—	—	—	Initialized	



Register Abbreviation	Reset	Sleep	Module Stop	All-Module-Clock-Stop	Software Standby	Hardware Standby	Module	
DADR0	Initialized	—	—	—	—	Initialized	D/A	
DADR1	Initialized	—	—	—	—	Initialized		
DACR01	Initialized	—	—	—	—	Initialized		
PCR	Initialized	—	—	—	—	Initialized	PPG	
PMR	Initialized	—	—	—	—	Initialized		
NDERH	Initialized	—	—	—	—	Initialized		
NDERL	Initialized	—	—	—	—	Initialized		
PODRH	Initialized	—	—	—	—	Initialized		
PODRL	Initialized	—	—	—	—	Initialized		
NDRH	Initialized	—	—	—	—	Initialized		
NDRL	Initialized	—	—	—	—	Initialized		
SMR_0	Initialized	—	—	—	—	Initialized		SCI_0
BRR_0	Initialized	—	—	—	—	Initialized		
SCR_0	Initialized	—	—	—	—	Initialized		
TDR_0	Initialized	—	Initialized	Initialized	Initialized	Initialized		
SSR_0	Initialized	—	Initialized	Initialized	Initialized	Initialized		
RDR_0	Initialized	—	Initialized	Initialized	Initialized	Initialized		
SCMR_0	Initialized	—	—	—	—	Initialized	SCI_1	
SMR_1	Initialized	—	—	—	—	Initialized		
BRR_1	Initialized	—	—	—	—	Initialized		
SCR_1	Initialized	—	—	—	—	Initialized		
TDR_1	Initialized	—	Initialized	Initialized	Initialized	Initialized		
SSR_1	Initialized	—	Initialized	Initialized	Initialized	Initialized		
RDR_1	Initialized	—	Initialized	Initialized	Initialized	Initialized		
SCMR_1	Initialized	—	—	—	—	Initialized		

Register Abbreviation	Reset	Sleep	Module Stop	All-Module-Clock-Stop	Software Standby	Hardware Standby	Module	
ADDRA	Initialized	—	—	—	—	Initialized	A/D	
ADDRB	Initialized	—	—	—	—	Initialized		
ADDRC	Initialized	—	—	—	—	Initialized		
ADDRD	Initialized	—	—	—	—	Initialized		
ADDRE	Initialized	—	—	—	—	Initialized		
ADDRF	Initialized	—	—	—	—	Initialized		
ADDRG	Initialized	—	—	—	—	Initialized		
ADDRH	Initialized	—	—	—	—	Initialized		
ADCSR	Initialized	—	—	—	—	Initialized		
ADCR	Initialized	—	—	—	—	Initialized		
TCSR	Initialized	—	—	—	—	Initialized		WDT
TCNT	Initialized	—	—	—	—	Initialized		
RSTCSR	Initialized	—	—	—	—	Initialized		
TCR_0	Initialized	—	—	—	—	Initialized		TMR_0
TCR_1	Initialized	—	—	—	—	Initialized	TMR_1	
TCSR_0	Initialized	—	—	—	—	Initialized	TMR_0	
TCSR_1	Initialized	—	—	—	—	Initialized	TMR_1	
TCORA_0	Initialized	—	—	—	—	Initialized	TMR_0	
TCORA_1	Initialized	—	—	—	—	Initialized	TMR_1	
TCORB_0	Initialized	—	—	—	—	Initialized	TMR_0	
TCORB_1	Initialized	—	—	—	—	Initialized	TMR_1	
TCNT_0	Initialized	—	—	—	—	Initialized	TMR_0	
TCNT_1	Initialized	—	—	—	—	Initialized	TMR_1	
TCCR_0	Initialized	—	—	—	—	Initialized	TMR_0	
TCCR_1	Initialized	—	—	—	—	Initialized	TMR_1	
TSTR	Initialized	—	—	—	—	Initialized	TPU	
TSYR	Initialized	—	—	—	—	Initialized		

Register Abbreviation	Reset	Sleep	Module Stop	All-Module-Clock-Stop	Software Standby	Hardware Standby	Module	
TCR_0	Initialized	—	—	—	—	Initialized	TPU_0	
TMDR_0	Initialized	—	—	—	—	Initialized		
TIORH_0	Initialized	—	—	—	—	Initialized		
TIORL_0	Initialized	—	—	—	—	Initialized		
TIER_0	Initialized	—	—	—	—	Initialized		
TSR_0	Initialized	—	—	—	—	Initialized		
TCNT_0	Initialized	—	—	—	—	Initialized		
TGRA_0	Initialized	—	—	—	—	Initialized		
TGRB_0	Initialized	—	—	—	—	Initialized		
TGRC_0	Initialized	—	—	—	—	Initialized		
TGRD_0	Initialized	—	—	—	—	Initialized		
TCR_1	Initialized	—	—	—	—	Initialized		TPU_1
TMDR_1	Initialized	—	—	—	—	Initialized		
TIOR_1	Initialized	—	—	—	—	Initialized		
TIER_1	Initialized	—	—	—	—	Initialized		
TSR_1	Initialized	—	—	—	—	Initialized		
TCNT_1	Initialized	—	—	—	—	Initialized		
TGRA_1	Initialized	—	—	—	—	Initialized		
TGRB_1	Initialized	—	—	—	—	Initialized		
TCR_2	Initialized	—	—	—	—	Initialized	TPU_2	
TMDR_2	Initialized	—	—	—	—	Initialized		
TIOR_2	Initialized	—	—	—	—	Initialized		
TIER_2	Initialized	—	—	—	—	Initialized		
TSR_2	Initialized	—	—	—	—	Initialized		
TCNT_2	Initialized	—	—	—	—	Initialized		
TGRA_2	Initialized	—	—	—	—	Initialized		
TGRB_2	Initialized	—	—	—	—	Initialized		

Register Abbreviation	Reset	Sleep	Module Stop	All-Module- Clock-Stop	Software Standby	Hardware Standby	Module
TCR_3	Initialized	—	—	—	—	Initialized	TPU_3
TMDR_3	Initialized	—	—	—	—	Initialized	
TIORH_3	Initialized	—	—	—	—	Initialized	
TIORL_3	Initialized	—	—	—	—	Initialized	
TIER_3	Initialized	—	—	—	—	Initialized	
TSR_3	Initialized	—	—	—	—	Initialized	
TCNT_3	Initialized	—	—	—	—	Initialized	
TGRA_3	Initialized	—	—	—	—	Initialized	
TGRB_3	Initialized	—	—	—	—	Initialized	
TGRC_3	Initialized	—	—	—	—	Initialized	
TGRD_3	Initialized	—	—	—	—	Initialized	

## Section 21 Electrical Characteristics

### 21.1 Electrical Characteristics (at 35-MHz operation)

#### 21.1.1 Absolute Maximum Ratings

**Table 21.1 Absolute Maximum Ratings**

Item	Symbol	Value	Unit
Power supply voltage	$V_{CC}$	-0.3 to +4.6	V
Input voltage (except port 5)	$V_{in}$	-0.3 to $V_{CC} + 0.3$	V
Input voltage (port 5)	$V_{in}$	-0.3 to $AV_{CC} + 0.3$	V
Reference power supply voltage	$V_{ref}$	-0.3 to $AV_{CC} + 0.3$	V
Analog power supply voltage	$AV_{CC}$	-0.3 to +4.6	V
Analog input voltage	$V_{AN}$	-0.3 to $AV_{CC} + 0.3$	V
Operating temperature	$T_{opr}$	Regular specifications: -20 to +75 Wide-range specifications: -40 to +85	°C
Storage temperature	$T_{stg}$	-55 to +125	°C

Caution: Permanent damage to the LSI may result if absolute maximum ratings are exceeded.

## 21.1.2 DC Characteristics

Table 21.2 DC Characteristics (1)

Conditions:  $V_{CC} = 3.0\text{ V to }3.6\text{ V}$ ,  $AV_{CC} = 3.0\text{ V to }3.6\text{ V}$ ,  $V_{ref} = 3.0\text{ V to }AV_{CC}$ ,  
 $V_{SS} = AV_{SS} = 0\text{ V}^{*1}$ ,  
 $T_a = -20^{\circ}\text{C to }+75^{\circ}\text{C}$  (regular specifications),  
 $T_a = -40^{\circ}\text{C to }+85^{\circ}\text{C}$  (wide-range specifications)

	Item	Symbol	Min.	Typ.	Max.	Unit	Test Conditions
Schmitt trigger input voltage	$\overline{\text{IRQ}}$ input pin,	$VT^-$	$V_{CC} \times 0.2$	—	—	V	
	TPU input pin,	$VT^+$	—	—	$V_{CC} \times 0.7$	V	
	TMR input pin, port 2, port 3	$VT^+ - VT^-$	$V_{CC} \times 0.06$	—	—	V	
	Port 5*2	$VT^-$	$AV_{CC} \times 0.2$	—	—	V	
		$VT^+$	—	—	$AV_{CC} \times 0.7$	V	
		$VT^+ - VT^-$	$AV_{CC} \times 0.06$	—	—	V	
Input high voltage (except Schmitt trigger input pin)	MD, $\overline{\text{RES}}$ , $\overline{\text{STBY}}$ , EMLE, NMI	$V_{IH}$	$V_{CC} \times 0.9$	—	$V_{CC} + 0.3$	V	
	EXTAL		$V_{CC} \times 0.7$	—	$V_{CC} + 0.3$	V	
	Other input pins						
	Port 5		$AV_{CC} \times 0.7$	—	$AV_{CC} + 0.3$	V	
Input low voltage (except Schmitt trigger input pin)	MD, $\overline{\text{RES}}$ , $\overline{\text{STBY}}$ , EMLE	$V_{IL}$	-0.3	—	$V_{CC} \times 0.1$	V	
	EXTAL, NMI		-0.3	—	$V_{CC} \times 0.2$	V	
	Other pins		-0.3	—	$V_{CC} \times 0.2$	V	
Output high voltage	All output pins	$V_{OH}$	$V_{CC} - 0.5$	—	—	V	$I_{OH} = -200\ \mu\text{A}$
			$V_{CC} - 1.0$	—	—	V	$I_{OH} = -1\ \text{mA}$
Output low voltage	All output pins	$V_{OL}$	—	—	0.4	V	$I_{OL} = 1.6\ \text{mA}$
	Port 3		—	—	1.0	V	$I_{OL} = 10\ \text{mA}$
Input leakage current	$\overline{\text{RES}}$	$ I_{in} $	—	—	10.0	$\mu\text{A}$	$V_{in} = 0.5\text{ to }V_{CC} - 0.5\text{ V}$
	MD, $\overline{\text{STBY}}$ , EMLE, NMI		—	—	1.0	$\mu\text{A}$	
	Port 5		—	—	1.0	$\mu\text{A}$	$V_{in} = 0.5\text{ to }AV_{CC} - 0.5\text{ V}$

**Table 21.2 DC Characteristics (2)**

Conditions:  $V_{CC} = 3.0\text{ V to }3.6\text{ V}$ ,  $AV_{CC} = 3.0\text{ V to }3.6\text{ V}$ ,  $V_{ref} = 3.0\text{ V to }AV_{CC}$ ,  
 $V_{SS} = AV_{SS} = 0\text{ V}^{*1}$ ,  
 $T_a = -20^\circ\text{C to }+75^\circ\text{C}$  (regular specifications),  
 $T_a = -40^\circ\text{C to }+85^\circ\text{C}$  (wide-range specifications)

	Item	Symbol	Min.	Typ.	Max.	Unit	Test Conditions
Three-state leakage current (off state)	Ports 1 to 3, 6, A, B, D to F, H, I	$ I_{TSL} $	—	—	1.0	$\mu\text{A}$	$V_{in} = 0.5\text{ to }V_{CC} - 0.5\text{ V}$
Input pull-up MOS current	Ports D to F, H, I	$-I_p$	10	—	300	$\mu\text{A}$	$V_{CC} = 3.0\text{ to }3.6\text{ V}$ $V_{in} = 0\text{ V}$
Input capacitance	All input pins	$C_{in}$	—	—	15	$\text{pF}$	$V_{in} = 0\text{ V}$ $f = 1\text{ MHz}$ $T_a = 25^\circ\text{C}$
Current consumption <sup>*3</sup>	Normal operation	$I_{CC}^{*5}$	—	30 (3.3 V)	45	$\text{mA}$	$f = 35\text{ MHz}$
	Sleep mode		—	25 (3.3 V)	37		
	Standby mode <sup>*4</sup>		—	0.1	0.5		$T_a \leq 50^\circ\text{C}$
			—	—	3.0		$50^\circ\text{C} < T_a$
	All-module-clock-stop mode <sup>*6</sup>		—	15	25		
Analog power supply current	During A/D and D/A conversion	$AI_{CC}$	—	1.0 (3.0 V)	2.0	$\text{mA}$	
	Standby for A/D and D/A conversion		—	0.1	20	$\mu\text{A}$	
Reference power supply current	During A/D and D/A conversion	$AI_{CC}$	—	1.5 (3.0 V)	3.0	$\text{mA}$	
	Standby for A/D and D/A conversion		—	0.4	5.0	$\mu\text{A}$	
RAM standby voltage		$V_{RAM}$	2.5	—	—	$\text{V}$	
Vcc start voltage <sup>*7</sup>		$V_{CCSTART}$	—	—	0.8	$\text{V}$	
Vcc rising gradient <sup>*7</sup>		$SV_{CC}$	—	—	20	$\text{ms/V}$	

- Notes: 1. When the A/D and D/A converters are not used, the  $AV_{CC}$ ,  $V_{ref}$ , and  $AV_{SS}$  pins should not be open. Connect the  $AV_{CC}$  and  $V_{ref}$  pins to  $V_{CC}$ , and the  $AV_{SS}$  pin to  $V_{SS}$ .
2. The case where port 5 is used as  $\overline{IRQ0}$  to  $\overline{IRQ7}$ .
3. Current consumption values are for  $V_{IH\min} = V_{CC} - 0.5\text{ V}$  and  $V_{IL\max} = 0.5\text{ V}$  with all output pins unloaded and all input pull-up MOSs in the off state.

4. The values are for  $V_{RAM} \leq V_{CC} < 3.0 \text{ V}$ ,  $V_{IH \text{ min}} = V_{CC} \times 0.9$ , and  $V_{IL \text{ max}} = 0.3 \text{ V}$ .
5.  $I_{CC}$  depends on  $V_{CC}$  and  $f$  as follows:  
 $I_{CC \text{ max}} = 3.0 \text{ (mA)} + 0.34 \text{ (mA/(MHz} \times \text{V))} \times V_{CC} \times f$  (normal operation)  
 $I_{CC \text{ max}} = 3.0 \text{ (mA)} + 0.27 \text{ (mA/(MHz} \times \text{V))} \times V_{CC} \times f$  (sleep mode)
6. The values are for reference.
7. This can be applied when the  $\overline{\text{RES}}$  pin is held low at power-on.

**Table 21.3 Permissible Output Currents**

Conditions:  $V_{CC} = 3.0 \text{ V to } 3.6 \text{ V}$ ,  $AV_{CC} = 3.0 \text{ V to } 3.6 \text{ V}$ ,  $V_{ref} = 3.0 \text{ V to } AV_{CC}$ ,  
 $V_{SS} = AV_{SS} = 0 \text{ V}^*$ ,  
 $T_a = -20^\circ\text{C to } +75^\circ\text{C}$  (regular specifications),  
 $T_a = -40^\circ\text{C to } +85^\circ\text{C}$  (wide-range specifications)

Item	Symbol	Min.	Typ.	Max.	Unit
Permissible output low current (per pin) Output pins except port 3	$I_{OL}$	—	—	2.0	mA
Permissible output low current (per pin) Port 3	$I_{OL}$	—	—	10	mA
Permissible output low current (total) Total of all output pins	$\Sigma I_{OL}$	—	—	80	mA
Permissible output high current (per pin) All output pins	$-I_{OH}$	—	—	2.0	mA
Permissible output high current (total) Total of all output pins	$\Sigma -I_{OH}$	—	—	40	mA

Caution: To protect the LSI's reliability, do not exceed the output current values in table 21.3.

Note: \* When the A/D and D/A converters are not used, the  $AV_{CC}$ ,  $V_{ref}$ , and  $AV_{SS}$  pins should not be open. Connect the  $AV_{CC}$  and  $V_{ref}$  pins to  $V_{CC}$ , and the  $AV_{SS}$  pin to  $V_{SS}$ .



## 21.1.3 AC Characteristics

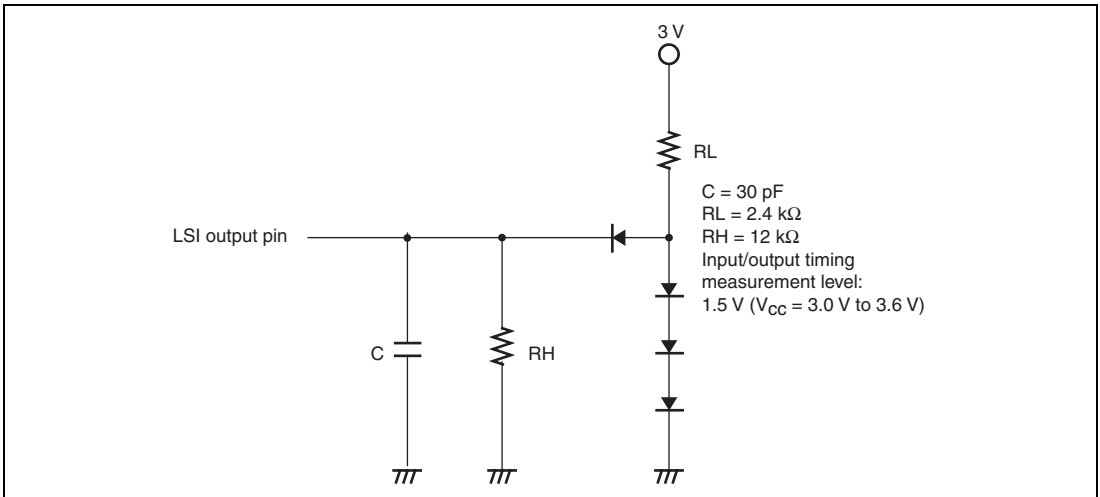


Figure 21.1 Output Load Circuit (1)

## (1) Clock Timing

Table 21.4 Clock Timing

Conditions:  $V_{CC} = 3.0 \text{ V to } 3.6 \text{ V}$ ,  $AV_{CC} = 3.0 \text{ V to } 3.6 \text{ V}$ ,  $V_{ref} = 3.0 \text{ V to } AV_{CC}$ ,  
 $V_{SS} = AV_{SS} = 0 \text{ V}$ ,  $I\phi = 8 \text{ MHz to } 35 \text{ MHz}$ ,  $B\phi = 8 \text{ MHz to } 35 \text{ MHz}$ ,  
 $P\phi = 8 \text{ MHz to } 35 \text{ MHz}$ ,  
 $T_a = -20^\circ\text{C to } +75^\circ\text{C}$  (regular specifications),  
 $T_a = -40^\circ\text{C to } +85^\circ\text{C}$  (wide-range specifications)

Item	Symbol	Min.	Max.	Unit.	Test Conditions
Clock cycle time	$t_{cyc}$	28.0	125	ns	Figure 21.2
Clock high pulse width	$t_{cH}$	5	—	ns	
Clock low pulse width	$t_{cL}$	5	—	ns	
Clock rising time	$t_{cr}$	—	5	ns	
Clock falling time	$t_{cf}$	—	5	ns	

Item	Symbol	Min.	Max.	Unit.	Test Conditions
Oscillation settling time after reset (crystal)	$t_{OSC1}$	10	—	ms	Figure 21.4
Oscillation settling time after leaving software standby mode (crystal)	$t_{OSC2}$	10	—	ms	Figure 21.3
External clock output delay settling time	$t_{DEXT}$	1	—	ms	Figure 21.4
External clock input low pulse width	$t_{EXL}$	27.7	—	ns	Figure 21.5
External clock input high pulse width	$t_{EXH}$	27.7	—	ns	
External clock rising time	$t_{EXr}$	—	5	ns	
External clock falling time	$t_{EXf}$	—	5	ns	

## (2) Control Signal Timing

**Table 21.5 Control Signal Timing**

Conditions:  $V_{CC} = 3.0\text{ V to }3.6\text{ V}$ ,  $AV_{CC} = 3.0\text{ V to }3.6\text{ V}$ ,  $V_{ref} = 3.0\text{ V to }AV_{CC}$ ,  
 $V_{SS} = AV_{SS} = 0\text{ V}$ ,  $I\phi = 8\text{ MHz to }35\text{ MHz}$ ,  
 $T_a = -20^\circ\text{C to }+75^\circ\text{C}$  (regular specifications),  
 $T_a = -40^\circ\text{C to }+85^\circ\text{C}$  (wide-range specifications)

Item	Symbol	Min.	Max.	Unit	Test Conditions
$\overline{\text{RES}}$ setup time	$t_{RESS}$	200	—	ns	Figure 21.6
$\overline{\text{RES}}$ pulse width	$t_{RESW}$	20	—	$t_{cyc}$	
NMI setup time	$t_{NMIS}$	150	—	ns	Figure 21.7
NMI hold time	$t_{NMIH}$	10	—	ns	
NMI pulse width (after leaving software standby mode)	$t_{NMIW}$	200	—	ns	
$\overline{\text{IRQ}}$ setup time	$t_{IRQS}$	150	—	ns	
$\overline{\text{IRQ}}$ hold time	$t_{IRQH}$	10	—	ns	
$\overline{\text{IRQ}}$ pulse width (after leaving software standby mode)	$t_{IROW}$	200	—	ns	

**(3) Bus Timing****Table 21.6 Bus Timing (1)**

Conditions:  $V_{CC} = 3.0\text{ V to }3.6\text{ V}$ ,  $AV_{CC} = 3.0\text{ V to }3.6\text{ V}$ ,  $V_{ref} = 3.0\text{ V to }AV_{CC}$ ,  
 $V_{SS} = AV_{SS} = 0\text{ V}$ ,  $B\phi = 8\text{ MHz to }35\text{ MHz}$ ,  
 $T_a = -20^\circ\text{C to }+75^\circ\text{C}$  (regular specifications),  
 $T_a = -40^\circ\text{C to }+85^\circ\text{C}$  (wide-range specifications)

Item	Symbol	Min.	Max.	Unit	Test Conditions
Address delay time	$t_{AD}$	—	15	ns	Figures 21.8 to 21.20
Address setup time 1	$t_{AS1}$	$0.5 \times t_{cyc} - 8$	—	ns	
Address setup time 2	$t_{AS2}$	$1.0 \times t_{cyc} - 8$	—	ns	
Address setup time 3	$t_{AS3}$	$1.5 \times t_{cyc} - 8$	—	ns	
Address setup time 4	$t_{AS4}$	$2.0 \times t_{cyc} - 8$	—	ns	
Address hold time 1	$t_{AH1}$	$0.5 \times t_{cyc} - 8$	—	ns	
Address hold time 2	$t_{AH2}$	$1.0 \times t_{cyc} - 8$	—	ns	
Address hold time 3	$t_{AH3}$	$1.5 \times t_{cyc} - 8$	—	ns	
$\overline{CS}$ delay time 1	$t_{CSD1}$	—	15	ns	
$\overline{AS}$ delay time	$t_{ASD}$	—	15	ns	
$\overline{RD}$ delay time 1	$t_{RSD1}$	—	15	ns	
$\overline{RD}$ delay time 2	$t_{RSD2}$	—	15	ns	
Read data setup time 1	$t_{RDS1}$	15	—	ns	
Read data setup time 2	$t_{RDS2}$	15	—	ns	
Read data hold time 1	$t_{RDH1}$	0	—	ns	
Read data hold time 2	$t_{RDH2}$	0	—	ns	
Read data access time 2	$t_{AC2}$	—	$1.5 \times t_{cyc} - 20$	ns	
Read data access time 4	$t_{AC4}$	—	$2.5 \times t_{cyc} - 20$	ns	
Read data access time 5	$t_{AC5}$	—	$1.0 \times t_{cyc} - 20$	ns	
Read data access time 6	$t_{AC6}$	—	$2.0 \times t_{cyc} - 20$	ns	

Item	Symbol	Min.	Max.	Unit	Test Conditions
Read data access time (from address) 1	$t_{AA1}$	—	$1.0 \times t_{cyc} - 20$	ns	Figures 21.8 to 21.20
Read data access time (from address) 2	$t_{AA2}$	—	$1.5 \times t_{cyc} - 20$	ns	
Read data access time (from address) 3	$t_{AA3}$	—	$2.0 \times t_{cyc} - 20$	ns	
Read data access time (from address) 4	$t_{AA4}$	—	$2.5 \times t_{cyc} - 20$	ns	
Read data access time (from address) 5	$t_{AA5}$	—	$3.0 \times t_{cyc} - 20$	ns	
$\overline{WR}$ delay time 1	$t_{WRD1}$	—	15	ns	
$\overline{WR}$ delay time 2	$t_{WRD2}$	—	15	ns	
$\overline{WR}$ pulse width 1	$t_{WSW1}$	$1.0 \times t_{cyc} - 13$	—	ns	
$\overline{WR}$ pulse width 2	$t_{WSW2}$	$1.5 \times t_{cyc} - 13$	—	ns	
Write data delay time	$t_{WDD}$	—	20	ns	
Write data setup time 1	$t_{WDS1}$	$0.5 \times t_{cyc} - 13$	—	ns	
Write data setup time 2	$t_{WDS2}$	$1.0 \times t_{cyc} - 13$	—	ns	
Write data setup time 3	$t_{WDS3}$	$1.5 \times t_{cyc} - 13$	—	ns	
Write data hold time 1	$t_{WDH1}$	$0.5 \times t_{cyc} - 8$	—	ns	
Write data hold time 3	$t_{WDH3}$	$1.5 \times t_{cyc} - 8$	—	ns	

**Table 21.6 Bus Timing (2)**

Conditions:  $V_{CC} = 3.0\text{ V to }3.6\text{ V}$ ,  $AV_{CC} = 3.0\text{ V to }3.6\text{ V}$ ,  $V_{ref} = 3.0\text{ V to }AV_{CC}$ ,  
 $V_{SS} = AV_{SS} = 0\text{ V}$ ,  $B\phi = 8\text{ MHz to }35\text{ MHz}$ ,  
 $T_a = -20^\circ\text{C to }+75^\circ\text{C}$  (regular specifications),  
 $T_a = -40^\circ\text{C to }+85^\circ\text{C}$  (wide-range specifications)

Item	Symbol	Min.	Max.	Unit	Test Conditions
Byte control delay time	$t_{UBD}$	—	15	ns	Figures 21.13, 21.14
Byte control pulse width 1	$t_{UBW1}$	—	$1.0 \times t_{cyc} - 15$	ns	Figure 21.13
Byte control pulse width 2	$t_{UBW2}$	—	$2.0 \times t_{cyc} - 15$	ns	Figure 21.14
Multiplexed address delay time 1	$t_{MAD1}$	—	15	ns	Figures 21.17, 21.18
Multiplexed address hold time	$t_{MAH}$	$1.0 \times t_{cyc} - 15$	—	ns	
Multiplexed address setup time 1	$t_{MAS1}$	$0.5 \times t_{cyc} - 15$	—	ns	
Multiplexed address setup time 2	$t_{MAS2}$	$1.5 \times t_{cyc} - 15$	—	ns	
Address hold delay time	$t_{AHD}$	—	15	ns	
Address hold pulse width 1	$t_{AHW1}$	$1.0 \times t_{cyc} - 15$	—	ns	
Address hold pulse width 2	$t_{AHW2}$	$2.0 \times t_{cyc} - 15$	—	ns	
$\overline{\text{WAIT}}$ setup time	$t_{WTS}$	15	—	ns	Figures 21.10, 21.18
$\overline{\text{WAIT}}$ hold time	$t_{WTH}$	5.0	—	ns	
$\overline{\text{BREQ}}$ setup time	$t_{BREQS}$	20	—	ns	Figure 21.19
$\overline{\text{BACK}}$ delay time	$t_{BACD}$	—	15	ns	
Bus floating time	$t_{BZD}$	—	30	ns	
$\overline{\text{BREQO}}$ delay time	$t_{BRQOD}$	—	15	ns	Figure 21.20
$\overline{\text{BS}}$ delay time	$t_{BSD}$	1.0	15	ns	Figures 21.8, 21.9, 21.11 to 21.14
$\overline{\text{RD}}/\overline{\text{WR}}$ delay time	$t_{RWD}$	—	15	ns	

**(4) DMAC Timing****Table 21.7 DMAC Timing**

Conditions:  $V_{CC} = 3.0\text{ V to }3.6\text{ V}$ ,  $AV_{CC} = 3.0\text{ V to }3.6\text{ V}$ ,  $V_{ref} = 3.0\text{ V to }AV_{CC}$ ,  
 $V_{SS} = AV_{SS} = 0\text{ V}$ ,  $B\phi = 8\text{ MHz to }35\text{ MHz}$ ,  
 $T_a = -20^\circ\text{C to }+75^\circ\text{C}$  (regular specifications),  
 $T_a = -40^\circ\text{C to }+85^\circ\text{C}$  (wide-range specifications)

Item	Symbol	Min.	Max.	Unit	Test Conditions
$\overline{DREQ}$ setup time	$t_{DROS}$	20	—	ns	Figure 21.21
$\overline{DREQ}$ hold time	$t_{DROH}$	5	—	ns	
$\overline{TEND}$ delay time	$t_{TED}$	—	15	ns	Figure 21.22
$\overline{DACK}$ delay time 1	$t_{DACD1}$	—	15	ns	Figures 21.23, 21.24
$\overline{DACK}$ delay time 2	$t_{DACD2}$	—	15	ns	

**(5) On-Chip Peripheral Modules****Table 21.8 Timing of On-Chip Peripheral Modules**

Conditions:  $V_{CC} = 3.0\text{ V to }3.6\text{ V}$ ,  $AV_{CC} = 3.0\text{ V to }3.6\text{ V}$ ,  $V_{ref} = 3.0\text{ V to }AV_{CC}$ ,  
 $V_{SS} = AV_{SS} = 0\text{ V}$ ,  $P\phi = 8\text{ MHz to }35\text{ MHz}$ ,  
 $T_a = -20^\circ\text{C to }+75^\circ\text{C}$  (regular specifications),  
 $T_a = -40^\circ\text{C to }+85^\circ\text{C}$  (wide-range specifications)

	Item	Symbol	Min.	Max.	Unit	Test Conditions	
I/O ports	Output data delay time	$t_{PWD}$	—	40	ns	Figure 21.25	
	Input data setup time	$t_{PRS}$	25	—	ns		
	Input data hold time	$t_{PRH}$	25	—	ns		
TPU	Timer output delay time	$t_{TOCD}$	—	40	ns	Figure 21.26	
	Timer input setup time	$t_{TICS}$	25	—	ns		
	Timer clock input setup time	$t_{TCKS}$	25	—	ns	Figure 21.27	
	Timer clock pulse width	Single-edge setting	$t_{TCKWH}$	1.5	—	$t_{cyc}$	
		Both-edge setting	$t_{TCKWL}$	2.5	—	$t_{cyc}$	

Item		Symbol	Min.	Max.	Unit	Test Conditions	
PPG	Pulse output delay time	$t_{POD}$	—	40	ns	Figure 21.28	
8-bit timer	Timer output delay time	$t_{TMOD}$	—	40	ns	Figure 21.29	
	Timer reset input setup time	$t_{TMRS}$	25	—	ns	Figure 21.30	
	Timer clock input setup time	$t_{TMCS}$	25	—	ns	Figure 21.31	
	Timer clock pulse width	Single-edge setting	$t_{TMCWH}$	1.5	—	$t_{cyc}$	
		Both-edge setting	$t_{TMCWL}$	2.5	—	$t_{cyc}$	
WDT	Overflow output delay time	$t_{WOVD}$	—	40	ns	Figure 21.32	
SCI	Input clock cycle	Asynchronous	$t_{Scyc}$	4	—	$t_{cyc}$	Figure 21.33
		Clocked synchronous		6	—		
	Input clock pulse width	$t_{SCKW}$	0.4	0.6	$t_{Scyc}$		
	Input clock rise time	$t_{SCKr}$	—	1.5	$t_{cyc}$		
	Input clock fall time	$t_{SCKf}$	—	1.5	$t_{cyc}$		
	Transmit data delay time	$t_{TXD}$	—	40	ns	Figure 21.34	
	Receive data setup time (clocked synchronous)	$t_{RXS}$	40	—	ns		
	Receive data hold time (clocked synchronous)	$t_{RXH}$	40	—	ns		
A/D converter	Trigger input setup time	$t_{TRGS}$	30	—	ns	Figure 21.35	

### 21.1.4 A/D Conversion Characteristics

**Table 21.9 A/D Conversion Characteristics**

Conditions:  $V_{CC} = 3.0\text{ V to }3.6\text{ V}$ ,  $AV_{CC} = 3.0\text{ V to }3.6\text{ V}$ ,  $V_{ref} = 3.0\text{ V to }AV_{CC}$ ,  
 $V_{SS} = AV_{SS} = 0\text{ V}$ ,  $P\phi = 8\text{ MHz to }35\text{ MHz}$ ,  
 $T_a = -20^\circ\text{C to }+75^\circ\text{C}$  (regular specifications),  
 $T_a = -40^\circ\text{C to }+85^\circ\text{C}$  (wide-range specifications)

Item	Min.	Typ.	Max.	Unit
Resolution	10	10	10	Bit
Conversion time	7.4	—	—	$\mu\text{s}$
Analog input capacitance	—	—	20	pF
Permissible signal source impedance	—	—	10	k $\Omega$
Nonlinearity error	—	—	$\pm 7.5$	LSB
Offset error	—	—	$\pm 7.5$	LSB
Full-scale error	—	—	$\pm 7.5$	LSB
Quantization error	—	$\pm 0.5$	—	LSB
Absolute accuracy	—	—	$\pm 8.0$	LSB

### 21.1.5 D/A Conversion Characteristics

**Table 21.10 D/A Conversion Characteristics**

Conditions:  $V_{CC} = 3.0\text{ V to }3.6\text{ V}$ ,  $AV_{CC} = 3.0\text{ V to }3.6\text{ V}$ ,  $V_{ref} = 3.0\text{ V to }AV_{CC}$ ,  
 $V_{SS} = AV_{SS} = 0\text{ V}$ ,  $P\phi = 8\text{ MHz to }35\text{ MHz}$ ,  
 $T_a = -20^\circ\text{C to }+75^\circ\text{C}$  (regular specifications),  
 $T_a = -40^\circ\text{C to }+85^\circ\text{C}$  (wide-range specifications)

Item	Min.	Typ.	Max.	Unit	Test Conditions
Resolution	8	8	8	Bit	
Conversion time	—	—	10	$\mu\text{s}$	20-pF capacitive load
Absolute accuracy	—	$\pm 2.0$	$\pm 3.0$	LSB	2-M $\Omega$ resistive load
	—	—	$\pm 2.0$	LSB	4-M $\Omega$ resistive load



## 21.2 Electrical Characteristics (at 50-MHz operation)

### 21.2.1 Absolute Maximum Ratings

**Table 21.11 Absolute Maximum Ratings**

Item	Symbol	Value	Unit
Power supply voltage	$V_{CC}$	-0.3 to +4.6	V
Input voltage (except port 5)	$V_{in}$	-0.3 to $V_{CC} + 0.3$	V
Input voltage (port 5)	$V_{in}$	-0.3 to $AV_{CC} + 0.3$	V
Reference power supply voltage	$V_{ref}$	-0.3 to $AV_{CC} + 0.3$	V
Analog power supply voltage	$AV_{CC}$	-0.3 to +4.6	V
Analog input voltage	$V_{AN}$	-0.3 to $AV_{CC} + 0.3$	V
Operating temperature	$T_{opr}$	Regular specifications: -20 to +75 <hr/> Wide-range specifications: -40 to +85	°C
Storage temperature	$T_{stg}$	-55 to +125	°C

Caution: Permanent damage to the LSI may result if absolute maximum ratings are exceeded.

## 21.2.2 DC Characteristics

Table 21.12 DC Characteristics (1)

Conditions:  $V_{CC} = 3.0\text{ V to }3.6\text{ V}$ ,  $AV_{CC} = 3.0\text{ V to }3.6\text{ V}$ ,  $V_{ref} = 3.0\text{ V to }AV_{CC}$ ,  
 $V_{SS} = AV_{SS} = 0\text{ V}^{*1}$ ,  
 $T_a = -20^\circ\text{C to }+75^\circ\text{C}$  (regular specifications),  
 $T_a = -40^\circ\text{C to }+85^\circ\text{C}$  (wide-range specifications)

	Item	Symbol	Min.	Typ.	Max.	Unit	Test Conditions
Schmitt trigger input voltage	$\overline{IRQ}$ input pin,	$VT^-$	$V_{CC} \times 0.2$	—	—	V	
	TPU input pin,	$VT^+$	—	—	$V_{CC} \times 0.7$	V	
	TMR input pin, port 2, port 3	$VT^+ - VT^-$	$V_{CC} \times 0.06$	—	—	V	
	Port 5 <sup>*2</sup>	$VT^-$	$AV_{CC} \times 0.2$	—	—	V	
		$VT^+$	—	—	$AV_{CC} \times 0.7$	V	
		$VT^+ - VT^-$	$AV_{CC} \times 0.06$	—	—	V	
Input high voltage (except Schmitt trigger input pin)	MD, $\overline{RES}$ , $\overline{STBY}$ , EMLE, NMI	$V_{IH}$	$V_{CC} \times 0.9$	—	$V_{CC} + 0.3$	V	
	EXTAL		$V_{CC} \times 0.7$	—	$V_{CC} + 0.3$		
	Other input pins						
	Port 5		$AV_{CC} \times 0.7$	—	$AV_{CC} + 0.3$		
Input low voltage (except Schmitt trigger input pin)	MD, $\overline{RES}$ , $\overline{STBY}$ , EMLE	$V_{IL}$	-0.3	—	$V_{CC} \times 0.1$	V	
	EXTAL, NMI		-0.3	—	$V_{CC} \times 0.2$		
	Other pins		-0.3	—	$V_{CC} \times 0.2$		
Output high voltage	All output pins	$V_{OH}$	$V_{CC} - 0.5$	—	—	V	$I_{OH} = -200\ \mu\text{A}$
			$V_{CC} - 1.0$	—	—		$I_{OH} = -1\ \text{mA}$
Output low voltage	All output pins	$V_{OL}$	—	—	0.4	V	$I_{OL} = 1.6\ \text{mA}$
	Port 3		—	—	1.0		$I_{OL} = 10\ \text{mA}$
Input leakage current	$\overline{RES}$	$ I_{in} $	—	—	10.0	$\mu\text{A}$	$V_{in} = 0.5\text{ to }V_{CC} - 0.5\text{ V}$
	MD, $\overline{STBY}$ , EMLE, NMI		—	—	1.0		
	Port 5		—	—	1.0		$V_{in} = 0.5\text{ to }AV_{CC} - 0.5\text{ V}$

**Table 21.12 DC Characteristics (2)**

Conditions:  $V_{CC} = 3.0\text{ V to }3.6\text{ V}$ ,  $AV_{CC} = 3.0\text{ V to }3.6\text{ V}$ ,  $V_{ref} = 3.0\text{ V to }AV_{CC}$ ,  
 $V_{SS} = AV_{SS} = 0\text{ V}^{*1}$ ,  
 $T_a = -20^\circ\text{C to }+75^\circ\text{C}$  (regular specifications),  
 $T_a = -40^\circ\text{C to }+85^\circ\text{C}$  (wide-range specifications)

	Item	Symbol	Min.	Typ.	Max.	Unit	Test Conditions	
Three-state leakage current (off state)	Ports 1 to 3, 6, A, B, D to F, H, I	$ I_{TSJ} $	—	—	1.0	$\mu\text{A}$	$V_{in} = 0.5\text{ to }V_{CC} - 0.5\text{ V}$	
Input pull-up MOS current	Ports D to F, H, I	$-I_p$	10	—	300	$\mu\text{A}$	$V_{CC} = 3.0\text{ to }3.6\text{ V}$ $V_{in} = 0\text{ V}$	
Input capacitance	All input pins	$C_{in}$	—	—	15	pF	$V_{in} = 0\text{ V}$ $f = 1\text{ MHz}$ $T_a = 25^\circ\text{C}$	
Current consumption <sup>*3</sup>	Normal operation	$I_{CC}^{*5}$	—	45 (3.3 V)	65	mA	$f = 50\text{ MHz}$	
	Sleep mode		—	35 (3.3 V)	52			
	Standby mode <sup>*4</sup>		—	0.1	0.5			$T_a \leq 50^\circ\text{C}$
			—	—	3.0			$50^\circ\text{C} < T_a$
	All-module-clock-stop mode <sup>*6</sup>		—	22	36			
Analog power supply current	During A/D and D/A conversion	$AI_{CC}$	—	1.0 (3.0 V)	2.0	mA		
	Standby for A/D and D/A conversion		—	0.1	20	$\mu\text{A}$		
Reference power supply current	During A/D and D/A conversion	$AI_{CC}$	—	1.5 (3.0 V)	3.0	mA		
	Standby for A/D and D/A conversion		—	0.4	5.0	$\mu\text{A}$		
RAM standby voltage		$V_{RAM}$	2.5	—	—	V		
Vcc start voltage <sup>*7</sup>		$V_{CCSTART}$	—	—	0.8	V		
Vcc rising gradient <sup>*7</sup>		$SV_{CC}$	—	—	20	ms/V		

- Notes: 1. When the A/D and D/A converters are not used, the  $AV_{CC}$ ,  $V_{ref}$ , and  $AV_{SS}$  pins should not be open. Connect the  $AV_{CC}$  and  $V_{ref}$  pins to  $V_{CC}$  and the  $AV_{SS}$  pin to  $V_{SS}$ .
2. The case where port 5 is used as  $\overline{IRQ0}$  to  $\overline{IRQ7}$ .
3. Current consumption values are for  $V_{IH\text{ min}} = V_{CC} - 0.5\text{ V}$  and  $V_{IL\text{ max}} = 0.5\text{ V}$  with all output pins unloaded and all input pull-up MOSs in the off state.

4. The values are for  $V_{RAM} \leq V_{CC} < 3.0 \text{ V}$ ,  $V_{IH \text{ min}} = V_{CC} \times 0.9$ , and  $V_{IL \text{ max}} = 0.3 \text{ V}$ .
5.  $I_{CC}$  depends on  $V_{CC}$  and  $f$  as follows:  
 $I_{CC \text{ max}} = 3.0 \text{ (mA)} + 0.34 \text{ (mA/(MHz} \times \text{V))} \times V_{CC} \times f$  (normal operation)  
 $I_{CC \text{ max}} = 3.0 \text{ (mA)} + 0.27 \text{ (mA/(MHz} \times \text{V))} \times V_{CC} \times f$  (sleep mode)
6. The values are for reference.
7. This can be applied when the  $\overline{\text{RES}}$  pin is held low at power-on.

**Table 21.13 Permissible Output Currents**

Conditions:  $V_{CC} = 3.0 \text{ V}$  to  $3.6 \text{ V}$ ,  $AV_{CC} = 3.0 \text{ V}$  to  $3.6 \text{ V}$ ,  $V_{ref} = 3.0 \text{ V}$  to  $AV_{CC}$ ,  
 $V_{SS} = AV_{SS} = 0 \text{ V}^*$ ,  
 $T_a = -20^\circ\text{C}$  to  $+75^\circ\text{C}$  (regular specifications),  
 $T_a = -40^\circ\text{C}$  to  $+85^\circ\text{C}$  (wide-range specifications)

Item	Symbol	Min.	Typ.	Max.	Unit
Permissible output low current (per pin)	Output pins except port 3 $I_{OL}$	—	—	2.0	mA
Permissible output low current (per pin)	Port 3 $I_{OL}$	—	—	10	mA
Permissible output low current (total)	Total of all output pins $\Sigma I_{OL}$	—	—	80	mA
Permissible output high current (per pin)	All output pins $-I_{OH}$	—	—	2.0	mA
Permissible output high current (total)	Total of all output pins $\Sigma -I_{OH}$	—	—	40	mA

Caution: To protect the LSI's reliability, do not exceed the output current values in table 21.13.

Note: \* When the A/D and D/A converters are not used, the  $AV_{CC}$ ,  $V_{ref}$ , and  $AV_{SS}$  pins should not be open. Connect the  $AV_{CC}$  and  $V_{ref}$  pins to  $V_{CC}$ , and the  $AV_{SS}$  pin to  $V_{SS}$ .

## 21.2.3 AC Characteristics

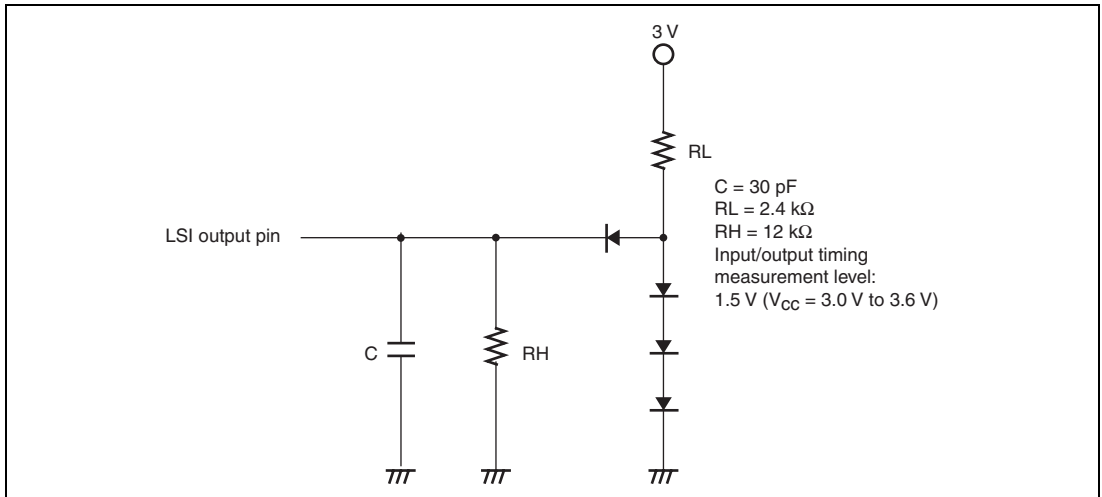


Figure 21.1 Output Load Circuit (2)

## (1) Clock Timing

Table 21.14 Clock Timing

Conditions:  $V_{CC} = 3.0 \text{ V to } 3.6 \text{ V}$ ,  $AV_{CC} = 3.0 \text{ V to } 3.6 \text{ V}$ ,  $V_{ref} = 3.0 \text{ V to } AV_{CC}$ ,  
 $V_{SS} = AV_{SS} = 0 \text{ V}$ ,  $I\phi = 8 \text{ MHz to } 50 \text{ MHz}$ ,  $B\phi = 8 \text{ MHz to } 50 \text{ MHz}$ ,  
 $P\phi = 8 \text{ MHz to } 35 \text{ MHz}$ ,  
 $T_a = -20^\circ\text{C to } +75^\circ\text{C}$  (regular specifications),  
 $T_a = -40^\circ\text{C to } +85^\circ\text{C}$  (wide-range specifications)

Item	Symbol	Min.	Max.	Unit.	Test Conditions
Clock cycle time	$t_{cyc}$	20.0	125	ns	Figure 21.2
Clock high pulse width	$t_{cH}$	5	—	ns	
Clock low pulse width	$t_{cL}$	5	—	ns	
Clock rising time	$t_{cr}$	—	5	ns	
Clock falling time	$t_{cf}$	—	5	ns	

Item	Symbol	Min.	Max.	Unit.	Test Conditions
Oscillation settling time after reset (crystal)	$t_{OSC1}$	10	—	ms	Figure 21.4
Oscillation settling time after leaving software standby mode (crystal)	$t_{OSC2}$	10	—	ms	Figure 21.3
External clock output delay settling time	$t_{DEXT}$	1	—	ms	Figure 21.4
External clock input low pulse width	$t_{EXL}$	27.7	—	ns	Figure 21.5
External clock input high pulse width	$t_{EXH}$	27.7	—	ns	
External clock rising time	$t_{EXr}$	—	5	ns	
External clock falling time	$t_{EXf}$	—	5	ns	

## (2) Control Signal Timing

**Table 21.15 Control Signal Timing**

Conditions:  $V_{CC} = 3.0\text{ V to }3.6\text{ V}$ ,  $AV_{CC} = 3.0\text{ V to }3.6\text{ V}$ ,  $V_{REF} = 3.0\text{ V to }AV_{CC}$ ,  
 $V_{SS} = AV_{SS} = 0\text{ V}$ ,  $I\phi = 8\text{ MHz to }50\text{ MHz}$ ,  
 $T_a = -20^\circ\text{C to }+75^\circ\text{C}$  (regular specifications),  
 $T_a = -40^\circ\text{C to }+85^\circ\text{C}$  (wide-range specifications)

Item	Symbol	Min.	Max.	Unit	Test Conditions
$\overline{\text{RES}}$ setup time	$t_{RESS}$	200	—	ns	Figure 21.6
$\overline{\text{RES}}$ pulse width	$t_{RESW}$	20	—	$t_{cyc}$	
NMI setup time	$t_{NMIS}$	150	—	ns	Figure 21.7
NMI hold time	$t_{NMIH}$	10	—	ns	
NMI pulse width (after leaving software standby mode)	$t_{NMIW}$	200	—	ns	
$\overline{\text{IRQ}}$ setup time	$t_{IRQS}$	150	—	ns	
$\overline{\text{IRQ}}$ hold time	$t_{IRQH}$	10	—	ns	
$\overline{\text{IRQ}}$ pulse width (after leaving software standby mode)	$t_{IRQW}$	200	—	ns	

**(3) Bus Timing****Table 21.16 Bus Timing (1)**

Conditions:  $V_{CC} = 3.0\text{ V to }3.6\text{ V}$ ,  $AV_{CC} = 3.0\text{ V to }3.6\text{ V}$ ,  $V_{ref} = 3.0\text{ V to }AV_{CC}$ ,  
 $V_{SS} = AV_{SS} = 0\text{ V}$ ,  $B\phi = 8\text{ MHz to }50\text{ MHz}$ ,  
 $T_a = -20^\circ\text{C to }+75^\circ\text{C}$  (regular specifications),  
 $T_a = -40^\circ\text{C to }+85^\circ\text{C}$  (wide-range specifications)

Item	Symbol	Min.	Max.	Unit	Test Conditions
Address delay time	$t_{AD}$	—	15	ns	Figures 21.8 to 21.20
Address setup time 1	$t_{AS1}$	$0.5 \times t_{CYC} - 8$	—	ns	
Address setup time 2	$t_{AS2}$	$1.0 \times t_{CYC} - 8$	—	ns	
Address setup time 3	$t_{AS3}$	$1.5 \times t_{CYC} - 8$	—	ns	
Address setup time 4	$t_{AS4}$	$2.0 \times t_{CYC} - 8$	—	ns	
Address hold time 1	$t_{AH1}$	$0.5 \times t_{CYC} - 8$	—	ns	
Address hold time 2	$t_{AH2}$	$1.0 \times t_{CYC} - 8$	—	ns	
Address hold time 3	$t_{AH3}$	$1.5 \times t_{CYC} - 8$	—	ns	
$\overline{CS}$ delay time 1	$t_{CSD1}$	—	15	ns	
$\overline{AS}$ delay time	$t_{ASD}$	—	15	ns	
$\overline{RD}$ delay time 1	$t_{RSD1}$	—	15	ns	
$\overline{RD}$ delay time 2	$t_{RSD2}$	—	15	ns	
Read data setup time 1	$t_{RDS1}$	15	—	ns	
Read data setup time 2	$t_{RDS2}$	15	—	ns	
Read data hold time 1	$t_{RDH1}$	0	—	ns	
Read data hold time 2	$t_{RDH2}$	0	—	ns	
Read data access time 2	$t_{AC2}$	—	$1.5 \times t_{CYC} - 20$	ns	
Read data access time 4	$t_{AC4}$	—	$2.5 \times t_{CYC} - 20$	ns	
Read data access time 5	$t_{AC5}$	—	$1.0 \times t_{CYC} - 20$	ns	
Read data access time 6	$t_{AC6}$	—	$2.0 \times t_{CYC} - 20$	ns	

**Table 21.16 Bus Timing (2)**

Conditions:  $V_{CC} = 3.0\text{ V to }3.6\text{ V}$ ,  $AV_{CC} = 3.0\text{ V to }3.6\text{ V}$ ,  $V_{ref} = 3.0\text{ V to }AV_{CC}$ ,  
 $V_{SS} = AV_{SS} = 0\text{ V}$ ,  $B\phi = 8\text{ MHz to }50\text{ MHz}$ ,  
 $T_a = -20^\circ\text{C to }+75^\circ\text{C}$  (regular specifications),  
 $T_a = -40^\circ\text{C to }+85^\circ\text{C}$  (wide-range specifications)

Item	Symbol	Min.	Max.	Unit	Test Conditions
Read data access time (from address) 1	$t_{AA1}$	—	$1.0 \times t_{CYC} - 20$	ns	Figures 21.8 to 21.20
Read data access time (from address) 2	$t_{AA2}$	—	$1.5 \times t_{CYC} - 20$	ns	
Read data access time (from address) 3	$t_{AA3}$	—	$2.0 \times t_{CYC} - 20$	ns	
Read data access time (from address) 4	$t_{AA4}$	—	$2.5 \times t_{CYC} - 20$	ns	
Read data access time (from address) 5	$t_{AA5}$	—	$3.0 \times t_{CYC} - 20$	ns	
$\overline{WR}$ delay time 1	$t_{WRD1}$	—	15	ns	
$\overline{WR}$ delay time 2	$t_{WRD2}$	—	15	ns	
$\overline{WR}$ pulse width 1	$t_{WSW1}$	$1.0 \times t_{CYC} - 13$	—	ns	
$\overline{WR}$ pulse width 2	$t_{WSW2}$	$1.5 \times t_{CYC} - 13$	—	ns	
Write data delay time	$t_{WDD}$	—	20	ns	
Write data setup time 1	$t_{WDS1}$	$0.5 \times t_{CYC} - 13$	—	ns	
Write data setup time 2	$t_{WDS2}$	$1.0 \times t_{CYC} - 13$	—	ns	
Write data setup time 3	$t_{WDS3}$	$1.5 \times t_{CYC} - 13$	—	ns	
Write data hold time 1	$t_{WDH1}$	$0.5 \times t_{CYC} - 8$	—	ns	
Write data hold time 3	$t_{WDH3}$	$1.5 \times t_{CYC} - 8$	—	ns	



Item	Symbol	Min.	Max.	Unit	Test Conditions
Byte control delay time	$t_{UBD}$	—	15	ns	Figures 21.13, 21.14
Byte control pulse width 1	$t_{UBW1}$	—	$1.0 \times t_{CYC} - 15$	ns	Figure 21.13
Byte control pulse width 2	$t_{UBW2}$	—	$2.0 \times t_{CYC} - 15$	ns	Figure 21.14
Multiplexed address delay time 1	$t_{MAD1}$	—	15	ns	Figures 21.17, 21.18
Multiplexed address hold time	$t_{MAH}$	$1.0 \times t_{CYC} - 15$	—	ns	
Multiplexed address setup time 1	$t_{MAS1}$	$0.5 \times t_{CYC} - 15$	—	ns	
Multiplexed address setup time 2	$t_{MAS2}$	$1.5 \times t_{CYC} - 15$	—	ns	
Address hold delay time	$t_{AHD}$	—	15	ns	
Address hold pulse width 1	$t_{AHW1}$	$1.0 \times t_{CYC} - 15$	—	ns	
Address hold pulse width 2	$t_{AHW2}$	$2.0 \times t_{CYC} - 15$	—	ns	
$\overline{WAIT}$ setup time	$t_{WTS}$	15	—	ns	Figures 21.10, 21.18
$\overline{WAIT}$ hold time	$t_{WTH}$	5.0	—	ns	
$\overline{BREQ}$ setup time	$t_{BREQS}$	20	—	ns	Figure 21.19
$\overline{BACK}$ delay time	$t_{BACD}$	—	15	ns	
Bus floating time	$t_{BZD}$	—	30	ns	
$\overline{BREQO}$ delay time	$t_{BRQOD}$	—	15	ns	Figure 21.20
$\overline{BS}$ delay time	$t_{BSD}$	1.0	15	ns	Figures 21.8, 21.9, 21.11 to 21.14
$\overline{RD}/\overline{WR}$ delay time	$t_{RWD}$	—	15	ns	

**(4) DMAC Timing****Table 21.17 DMAC Timing**

Conditions:  $V_{CC} = 3.0\text{ V to }3.6\text{ V}$ ,  $AV_{CC} = 3.0\text{ V to }3.6\text{ V}$ ,  $V_{ref} = 3.0\text{ V to }AV_{CC}$ ,  
 $V_{SS} = AV_{SS} = 0\text{ V}$ ,  $B\phi = 8\text{ MHz to }50\text{ MHz}$ ,  
 $T_a = -20^\circ\text{C to }+75^\circ\text{C}$  (regular specifications),  
 $T_a = -40^\circ\text{C to }+85^\circ\text{C}$  (wide-range specifications)

Item	Symbol	Min.	Max.	Unit	Test Conditions
$\overline{DREQ}$ setup time	$t_{DROS}$	20	—	ns	Figure 21.21
$\overline{DREQ}$ hold time	$t_{DROH}$	5	—	ns	
$\overline{TEND}$ delay time	$t_{TED}$	—	15	ns	Figure 21.22
$\overline{DACK}$ delay time 1	$t_{DACD1}$	—	15	ns	Figures 21.23, 21.24
$\overline{DACK}$ delay time 2	$t_{DACD2}$	—	15	ns	

**(5) On-Chip Peripheral Modules****Table 21.18 Timing of On-Chip Peripheral Modules**

Conditions:  $V_{CC} = 3.0\text{ V to }3.6\text{ V}$ ,  $AV_{CC} = 3.0\text{ V to }3.6\text{ V}$ ,  $V_{ref} = 3.0\text{ V to }AV_{CC}$ ,  
 $V_{SS} = AV_{SS} = 0\text{ V}$ ,  $P\phi = 8\text{ MHz to }35\text{ MHz}$ ,  
 $T_a = -20^\circ\text{C to }+75^\circ\text{C}$  (regular specifications),  
 $T_a = -40^\circ\text{C to }+85^\circ\text{C}$  (wide-range specifications)

	Item	Symbol	Min.	Max.	Unit	Test Conditions
I/O ports	Output data delay time	$t_{PWD}$	—	40	ns	Figure 21.25
	Input data setup time	$t_{PRS}$	25	—	ns	
	Input data hold time	$t_{PRH}$	25	—	ns	
TPU	Timer output delay time	$t_{TOCD}$	—	40	ns	Figure 21.26
	Timer input setup time	$t_{TICS}$	25	—	ns	
	Timer clock input setup time	$t_{TCKS}$	25	—	ns	Figure 21.27
	Timer clock pulse width	Single-edge setting	$t_{TCKWH}$	1.5	—	
	Both-edge setting	$t_{TCKWL}$	2.5	—	$t_{cyc}$	
PPG	Pulse output delay time	$t_{POD}$	—	40	ns	Figure 21.28

	Item	Symbol	Min.	Max.	Unit	Test Conditions	
8-bit timer	Timer output delay time	$t_{TOD}$	—	40	ns	Figure 21.29	
	Timer reset input setup time	$t_{TMRS}$	25	—	ns	Figure 21.30	
	Timer clock input setup time	$t_{TMCS}$	25	—	ns	Figure 21.31	
	Timer clock pulse width	Single-edge setting	$t_{TMCWH}$	1.5	—	$t_{cyc}$	
		Both-edge setting	$t_{TMCWL}$	2.5	—	$t_{cyc}$	
WDT	Overflow output delay time	$t_{WOVD}$	—	40	ns	Figure 21.32	
SCI	Input clock cycle	Asynchronous	$t_{Scyc}$	4	—	$t_{cyc}$	Figure 21.33
		Clocked synchronous		6	—		
	Input clock pulse width	$t_{SCKW}$	0.4	0.6	$t_{Scyc}$		
	Input clock rise time	$t_{SCKr}$	—	1.5	$t_{cyc}$		
	Input clock fall time	$t_{SCKf}$	—	1.5	$t_{cyc}$		
	Transmit data delay time	$t_{TXD}$	—	40	ns	Figure 21.34	
	Receive data setup time (clocked synchronous)	$t_{RXS}$	40	—	ns		
	Receive data hold time (clocked synchronous)	$t_{RXH}$	40	—	ns		
A/D converter	Trigger input setup time	$t_{TRGS}$	30	—	ns	Figure 21.35	

### 21.2.4 A/D Conversion Characteristics

**Table 21.19 A/D Conversion Characteristics**

Conditions:  $V_{CC} = 3.0\text{ V to }3.6\text{ V}$ ,  $AV_{CC} = 3.0\text{ V to }3.6\text{ V}$ ,  $V_{ref} = 3.0\text{ V to }AV_{CC}$ ,  
 $V_{SS} = AV_{SS} = 0\text{ V}$ ,  $P\phi = 8\text{ MHz to }35\text{ MHz}$ ,  
 $T_a = -20^\circ\text{C to }+75^\circ\text{C}$  (regular specifications),  
 $T_a = -40^\circ\text{C to }+85^\circ\text{C}$  (wide-range specifications)

Item	Min.	Typ.	Max.	Unit
Resolution	10	10	10	Bit
Conversion time	7.4	—	—	$\mu\text{s}$
Analog input capacitance	—	—	20	pF
Permissible signal source impedance	—	—	10	k $\Omega$
Nonlinearity error	—	—	$\pm 7.5$	LSB
Offset error	—	—	$\pm 7.5$	LSB
Full-scale error	—	—	$\pm 7.5$	LSB
Quantization error	—	$\pm 0.5$	—	LSB
Absolute accuracy	—	—	$\pm 8.0$	LSB

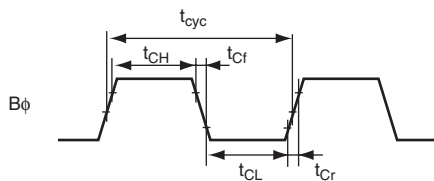
### 21.2.5 D/A Conversion Characteristics

**Table 21.20 D/A Conversion Characteristics**

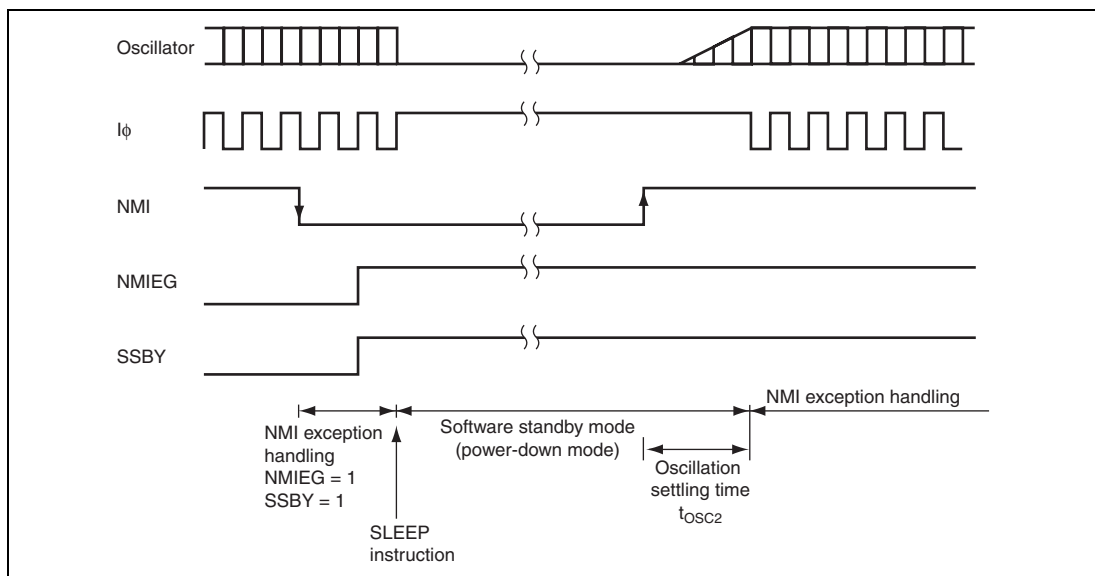
Conditions:  $V_{CC} = 3.0\text{ V to }3.6\text{ V}$ ,  $AV_{CC} = 3.0\text{ V to }3.6\text{ V}$ ,  $V_{ref} = 3.0\text{ V to }AV_{CC}$ ,  
 $V_{SS} = AV_{SS} = 0\text{ V}$ ,  $P\phi = 8\text{ MHz to }35\text{ MHz}$ ,  
 $T_a = -20^\circ\text{C to }+75^\circ\text{C}$  (regular specifications),  
 $T_a = -40^\circ\text{C to }+85^\circ\text{C}$  (wide-range specifications)

Item	Min.	Typ.	Max.	Unit	Test Conditions
Resolution	8	8	8	Bit	
Conversion time	—	—	10	$\mu\text{s}$	20-pF capacitive load
Absolute accuracy	—	$\pm 2.0$	$\pm 3.0$	LSB	2-M $\Omega$ resistive load
	—	—	$\pm 2.0$	LSB	4-M $\Omega$ resistive load

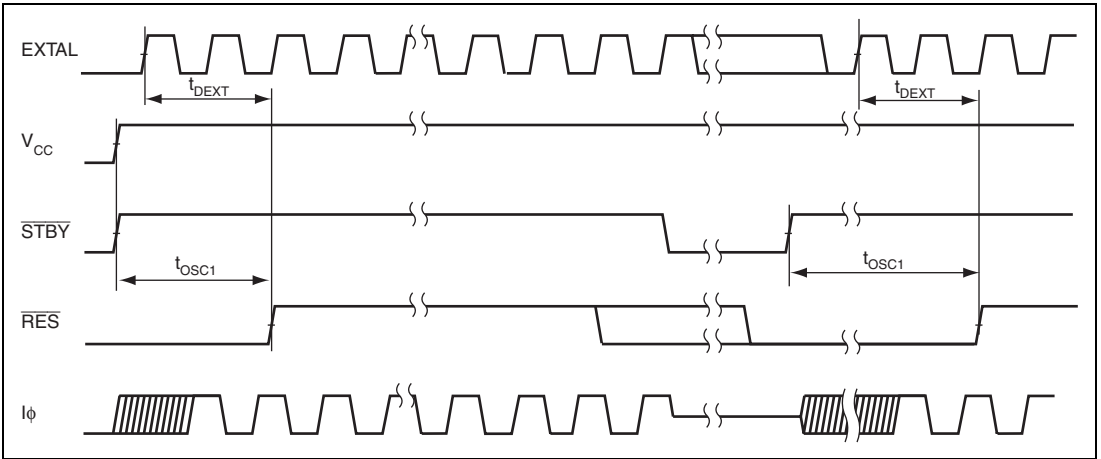
## 21.3 Timing Charts



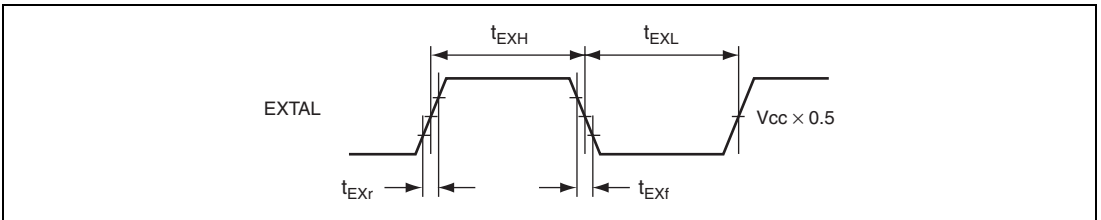
**Figure 21.2 External Bus Clock Timing**



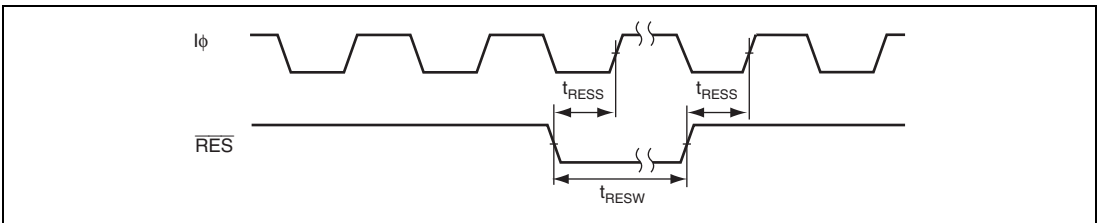
**Figure 21.3 Oscillation Settling Timing after Software Standby Mode**



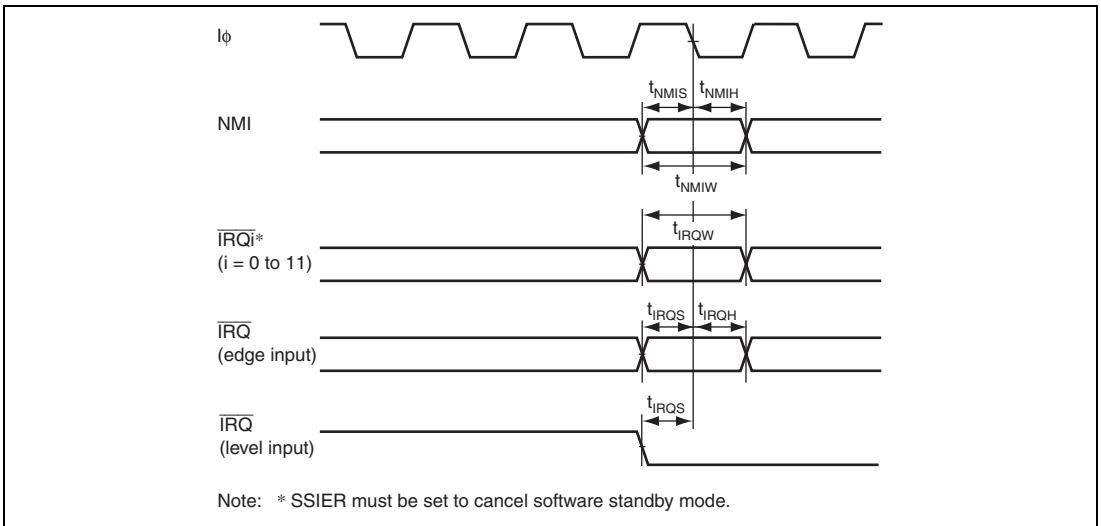
**Figure 21.4 Oscillation Settling Timing**



**Figure 21.5 External Input Clock Timing**



**Figure 21.6 Reset Input Timing**



**Figure 21.7 Interrupt Input Timing**

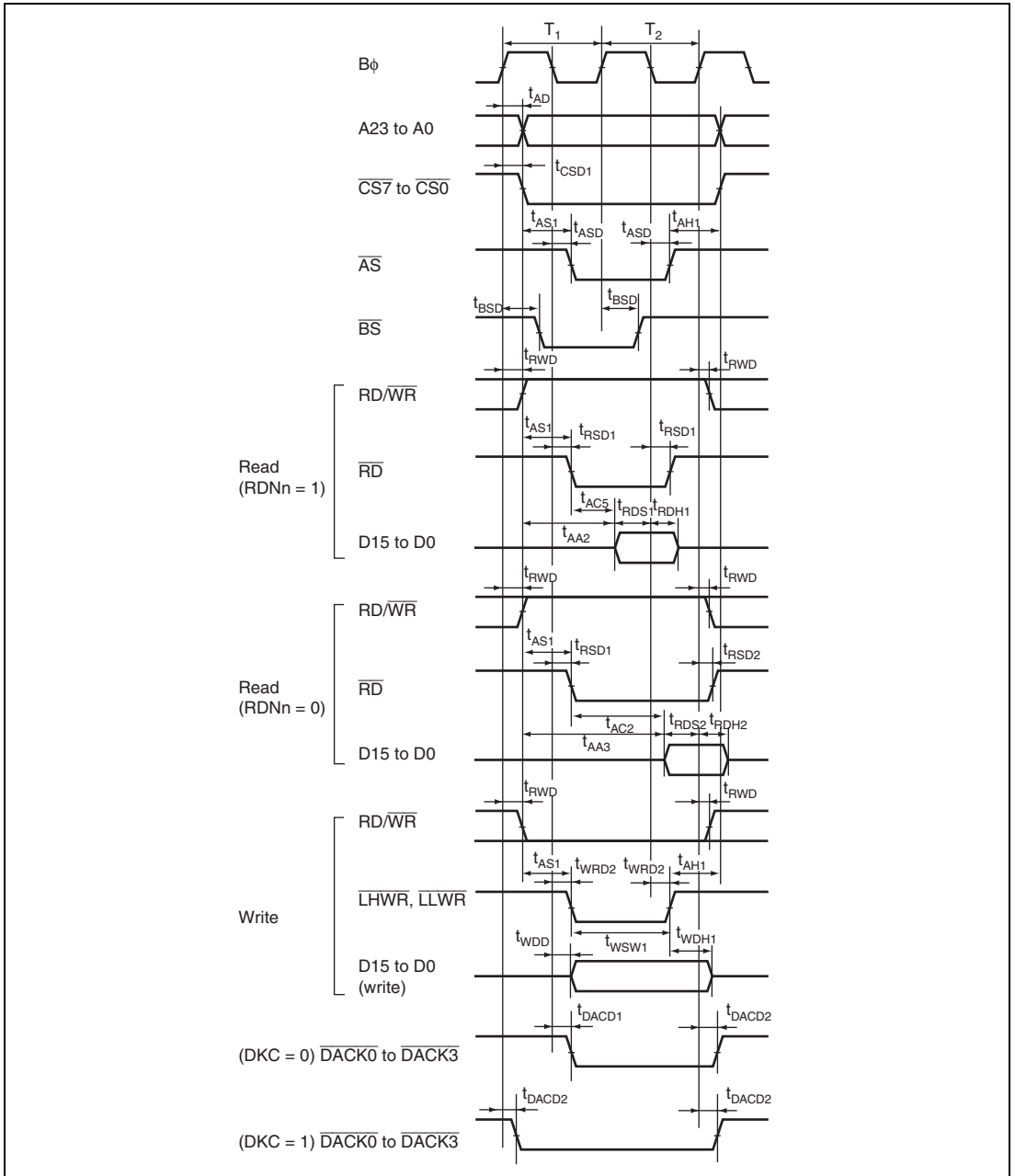


Figure 21.8 Basic Bus Timing: 2-State Access



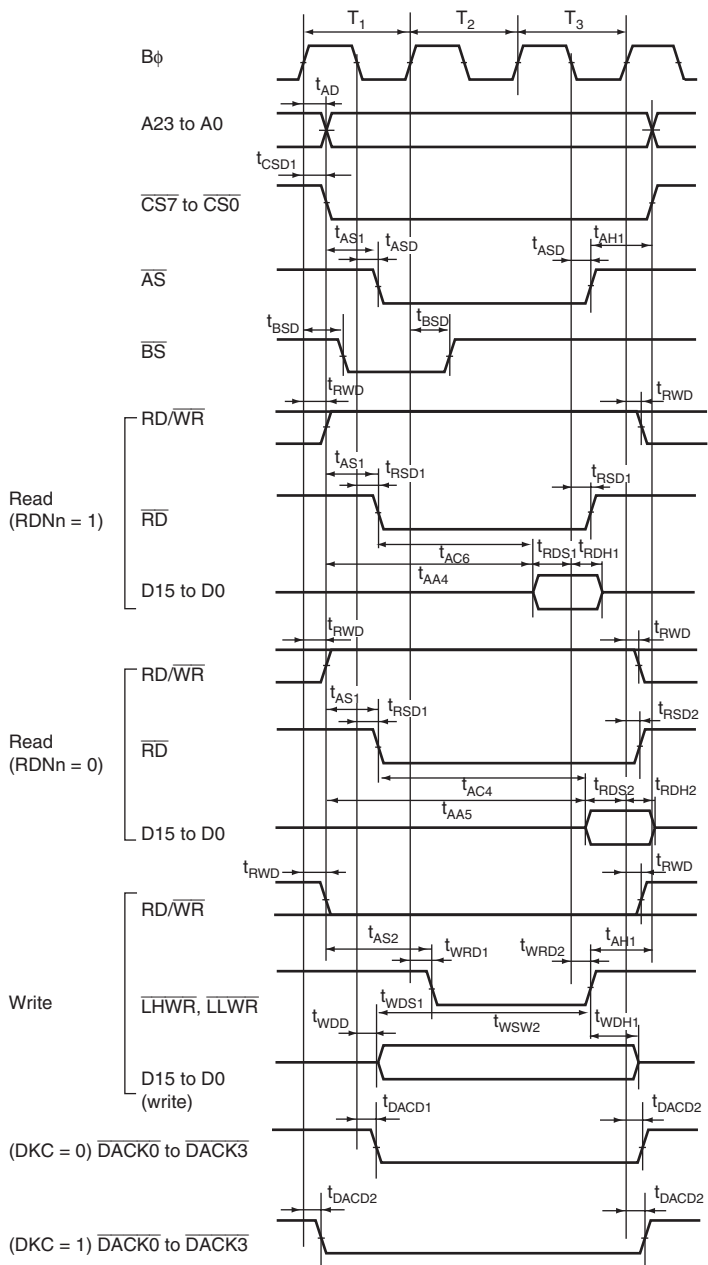
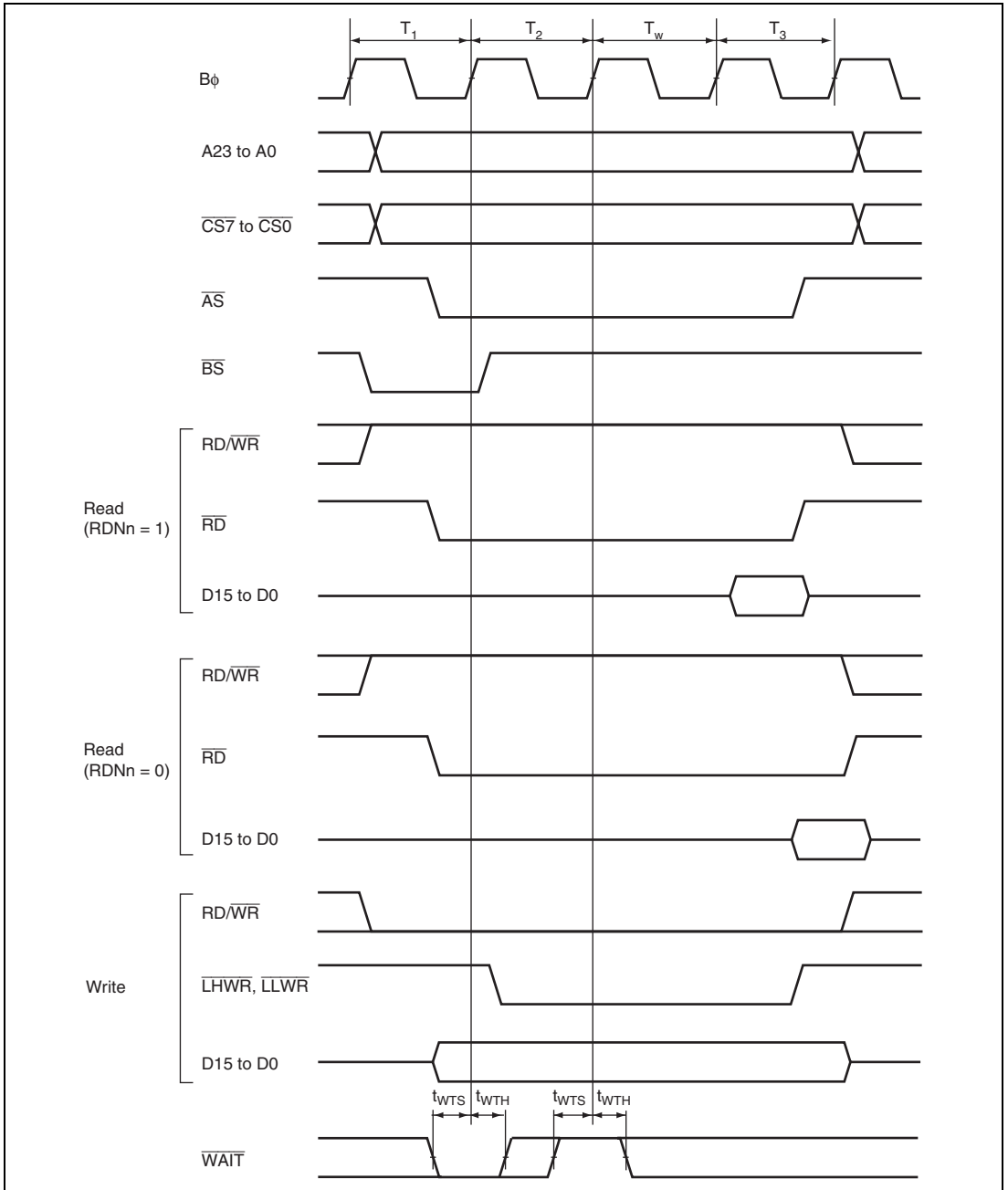


Figure 21.9 Basic Bus Timing: 3-State Access



**Figure 21.10 Basic Bus Timing: Three-State Access, One Wait**

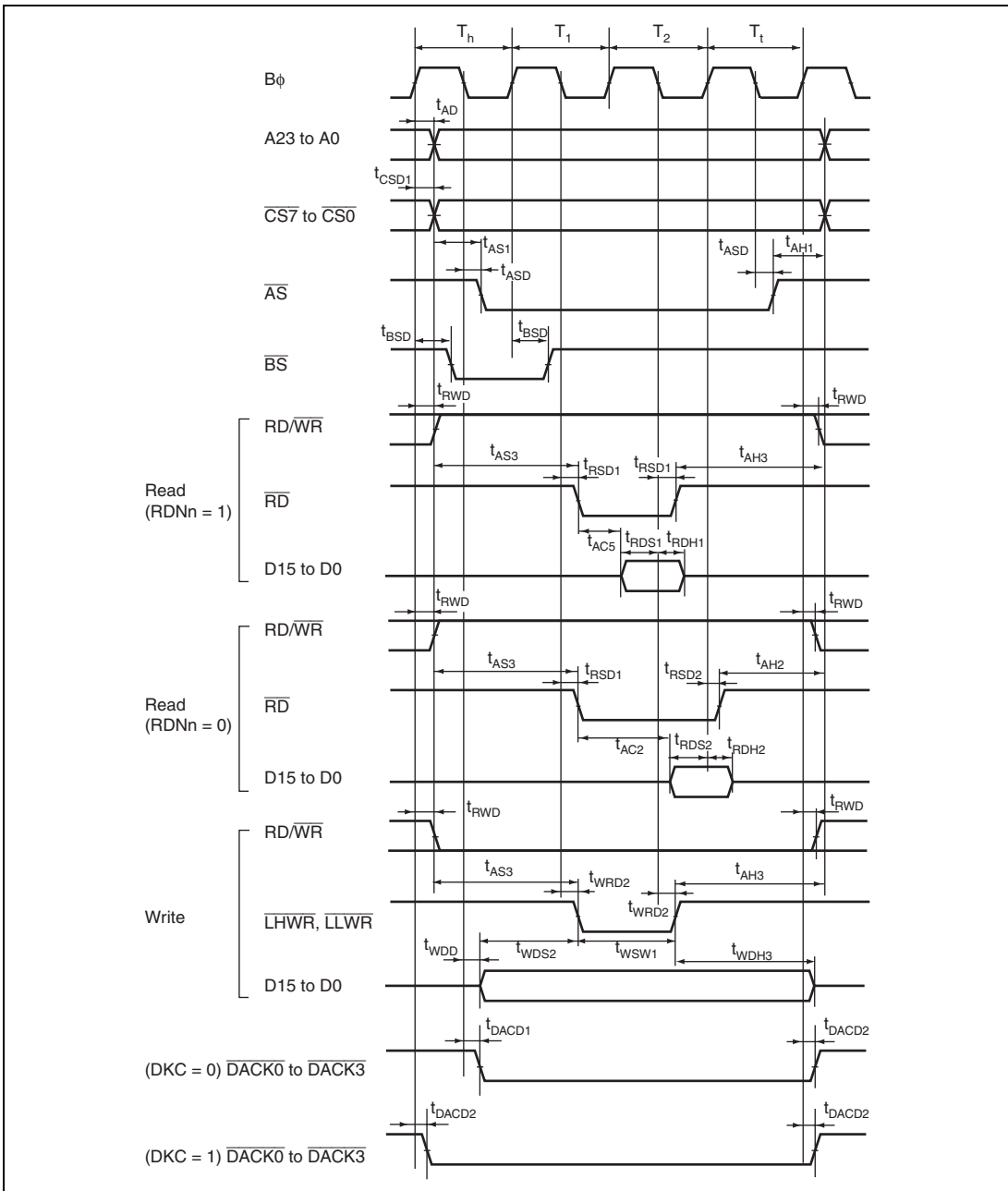


Figure 21.11 Basic Bus Timing: 2-State Access ( $\overline{CS}$  Assertion Period Extended)

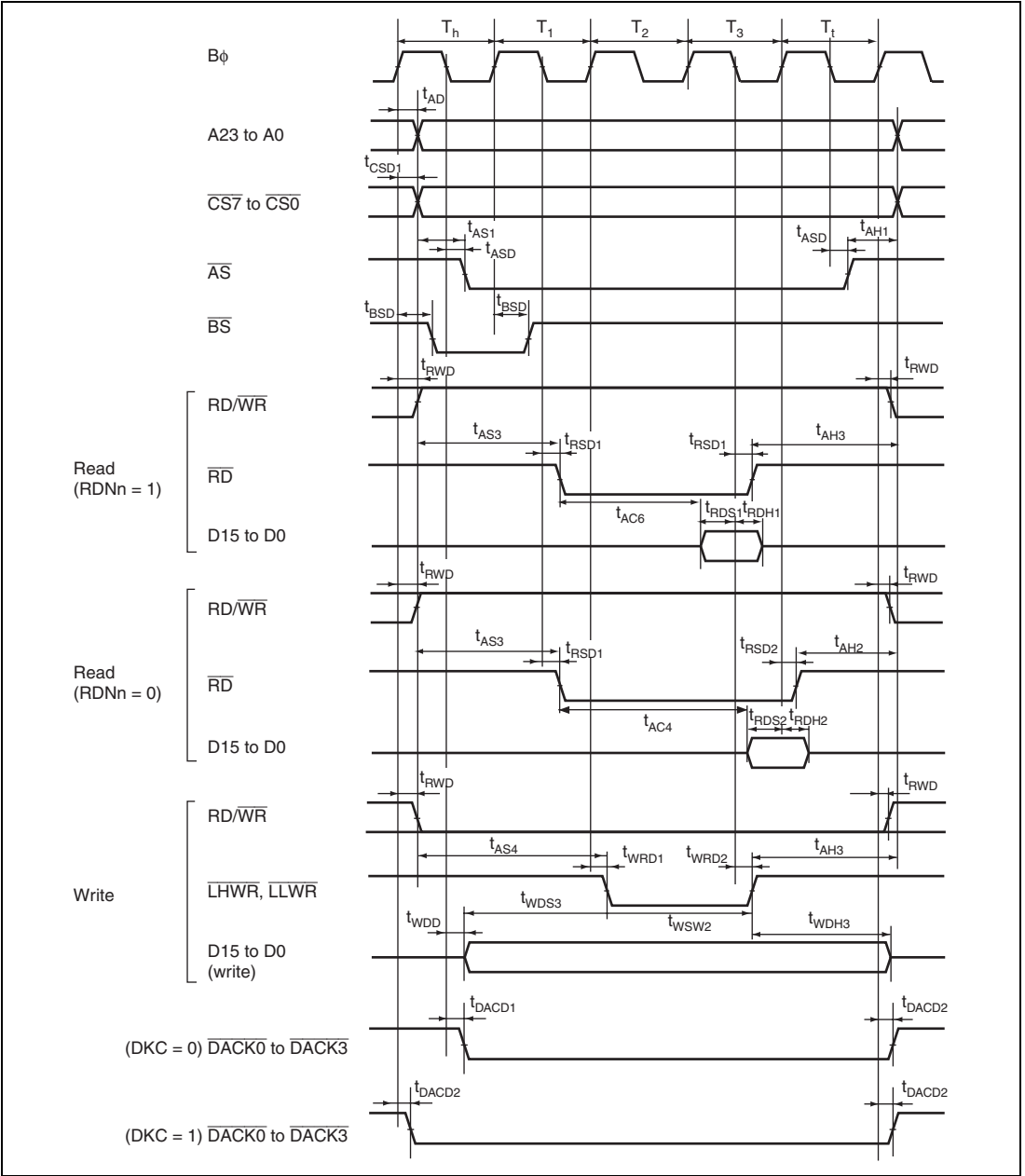


Figure 21.12 Basic Bus Timing: 3-State Access ( $\overline{CS}$  Assertion Period Extended)

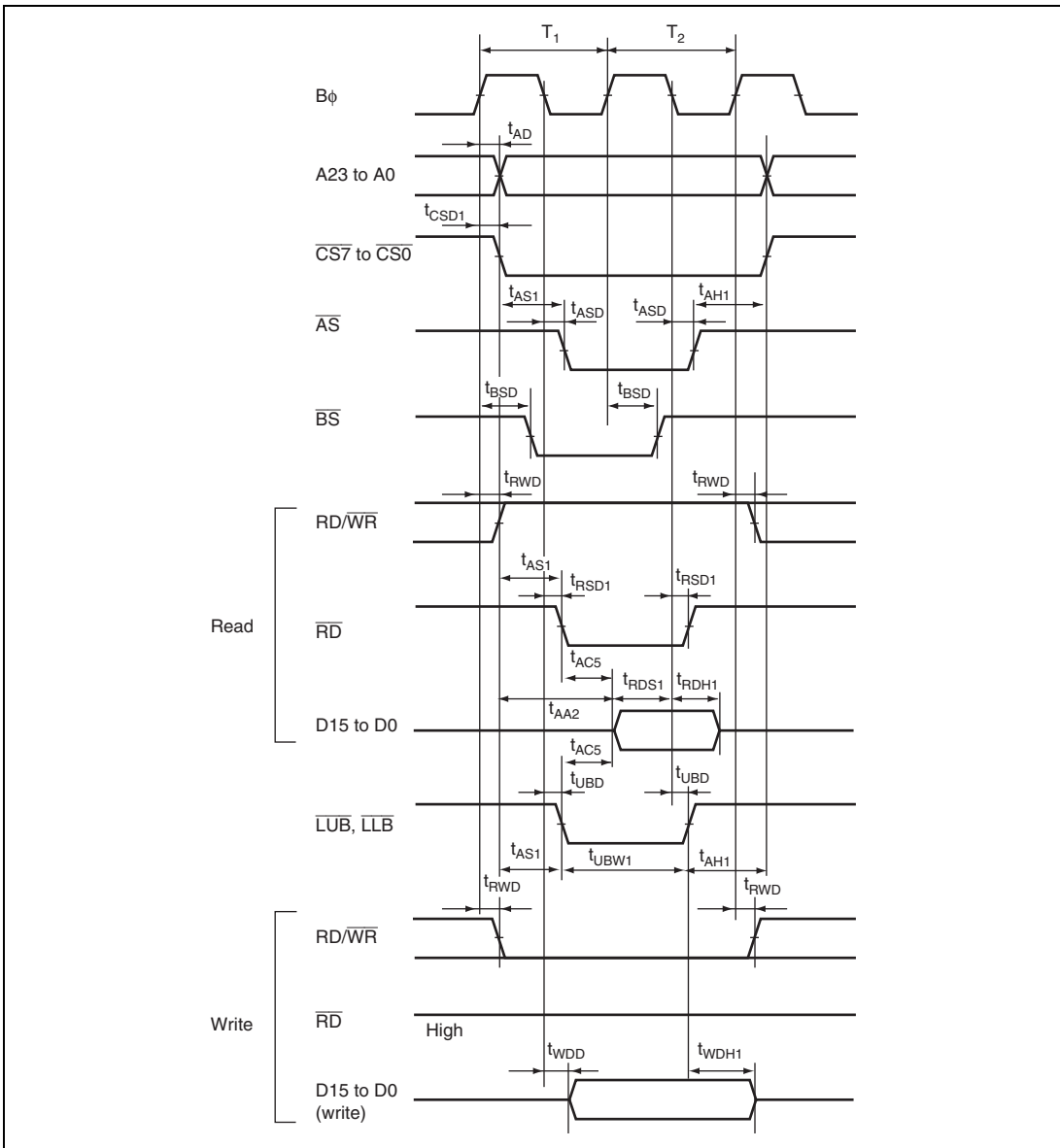


Figure 21.13 Byte Control SRAM: 2-State Read/Write Access

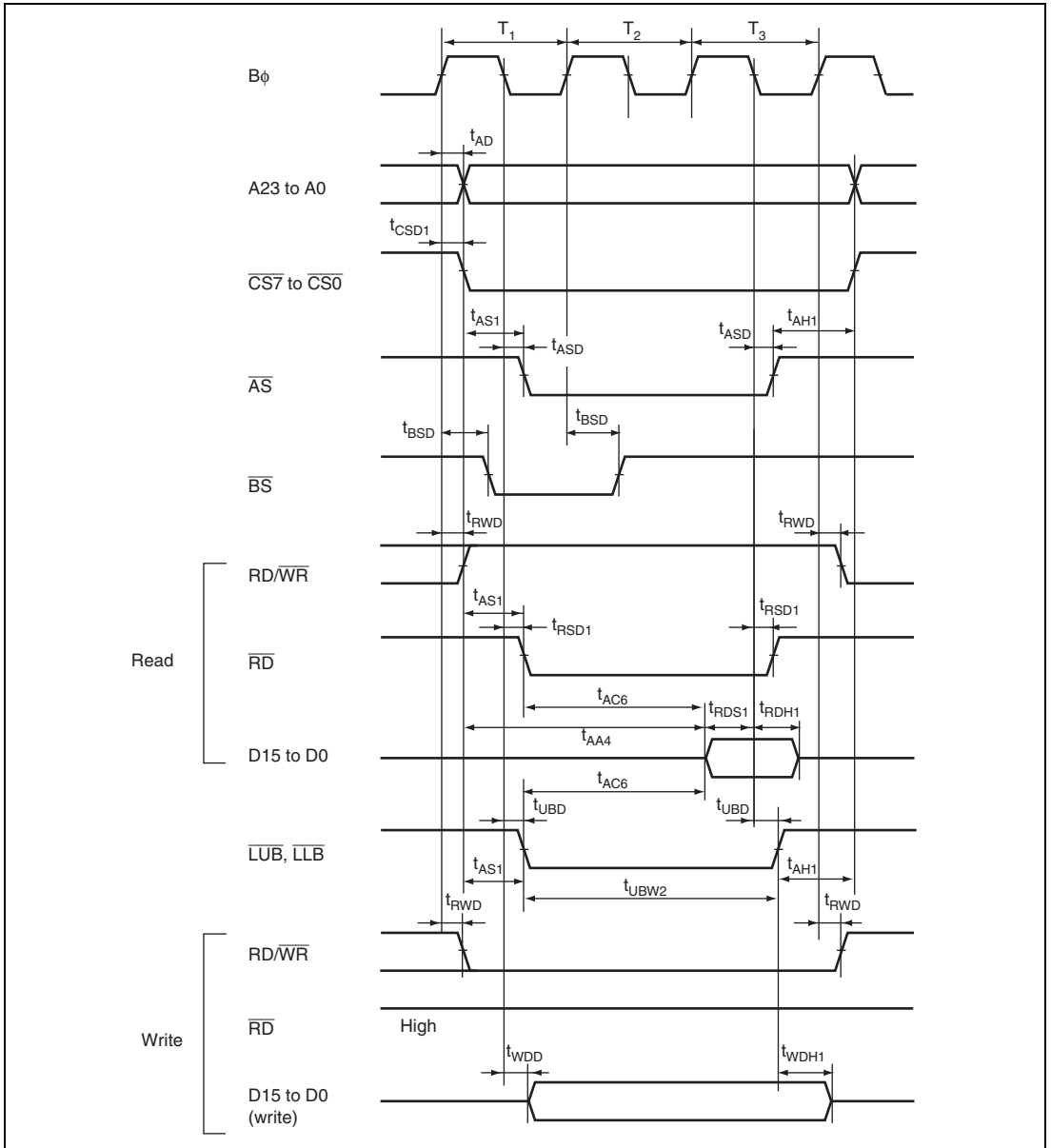
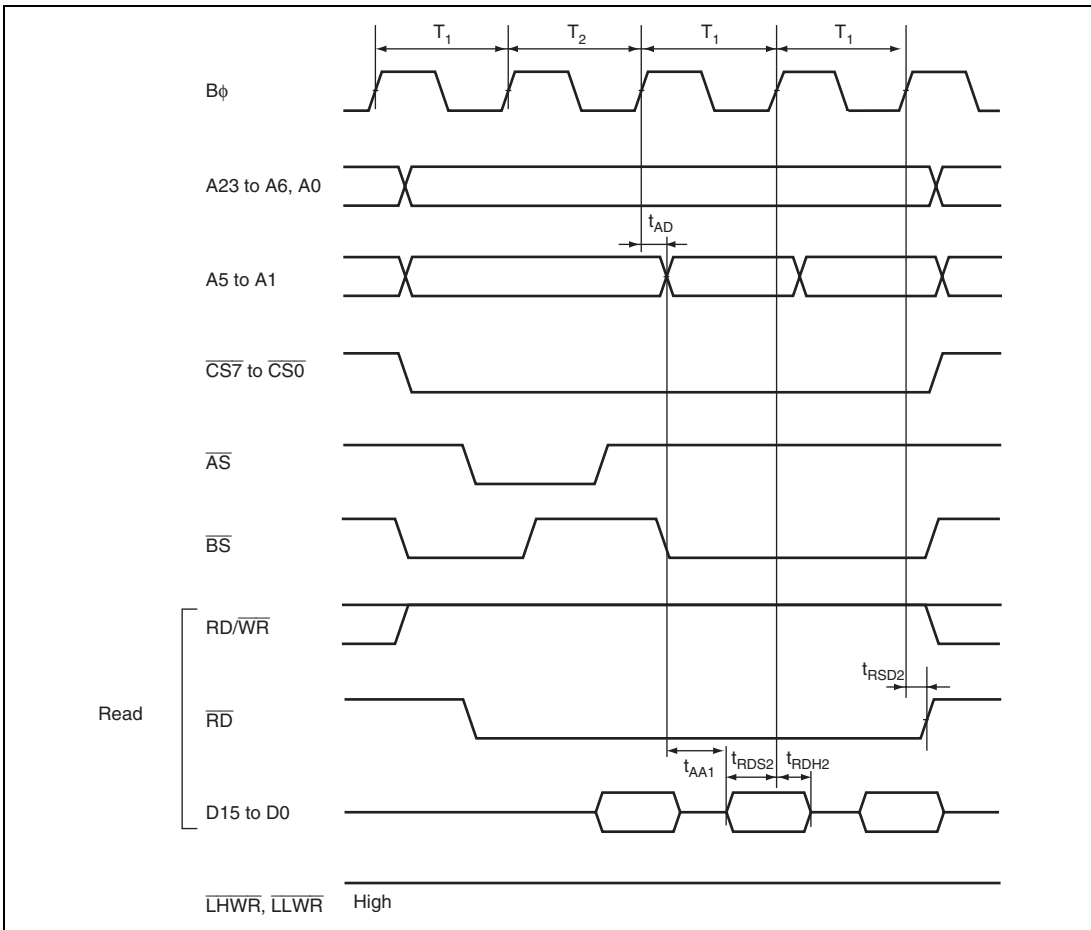
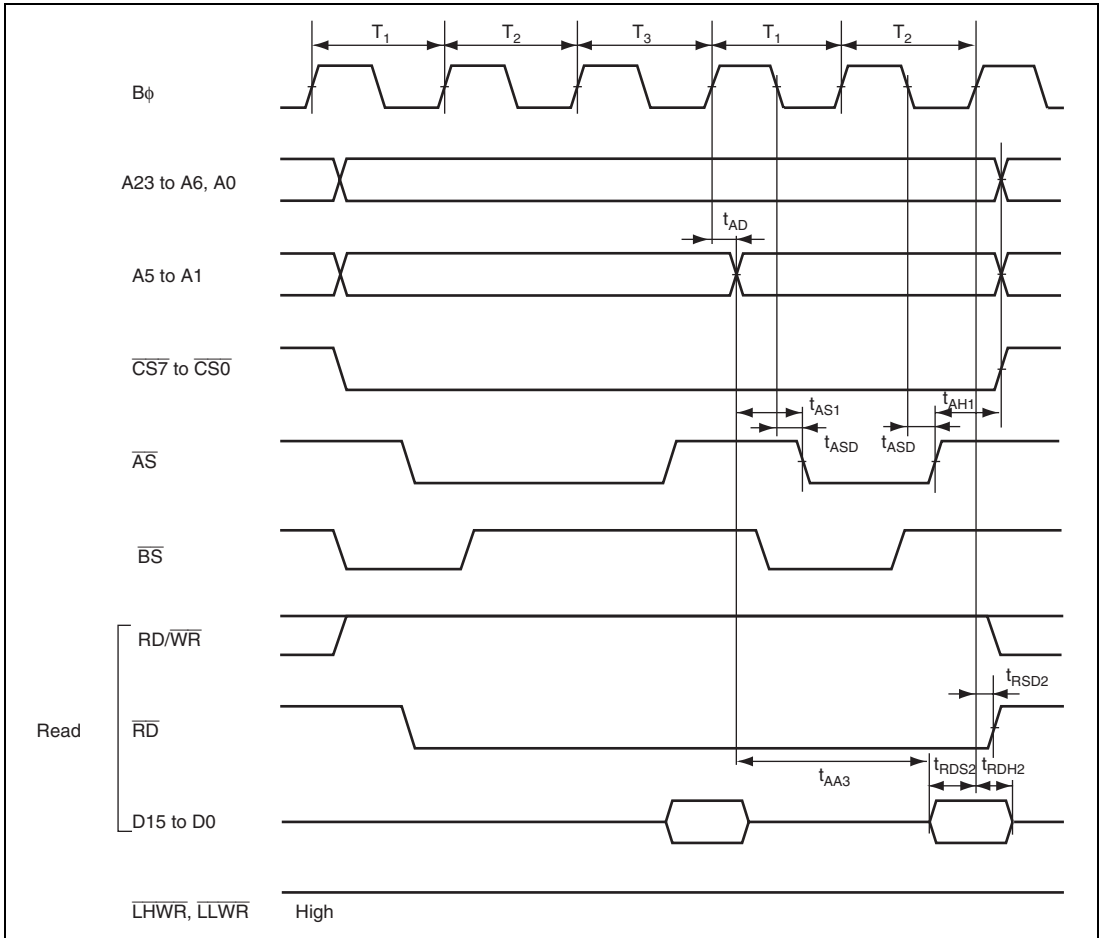


Figure 21.14 Byte Control SRAM: 3-State Read/Write Access

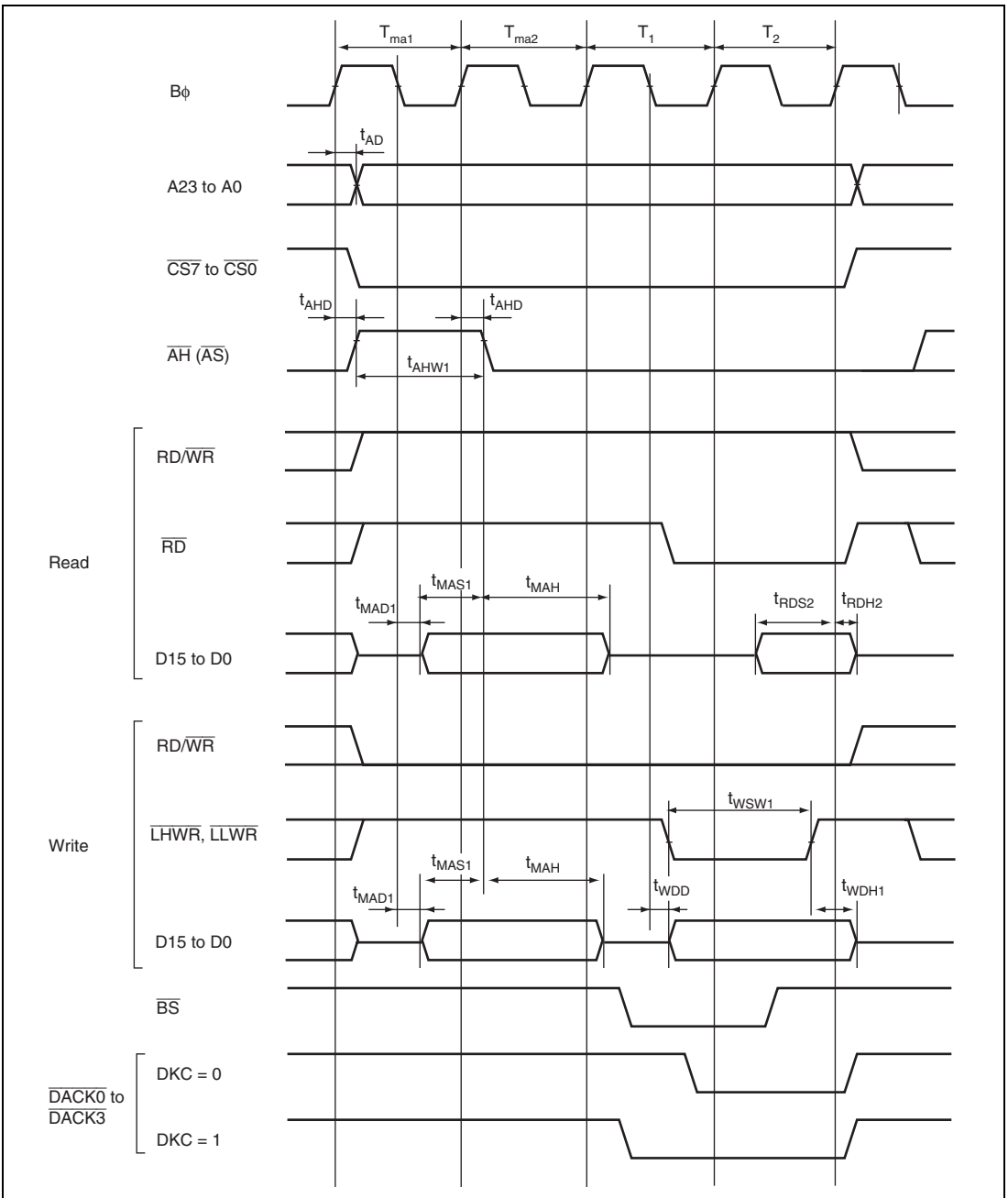


**Figure 21.15 Burst ROM Access Timing: 1-State Burst Access**

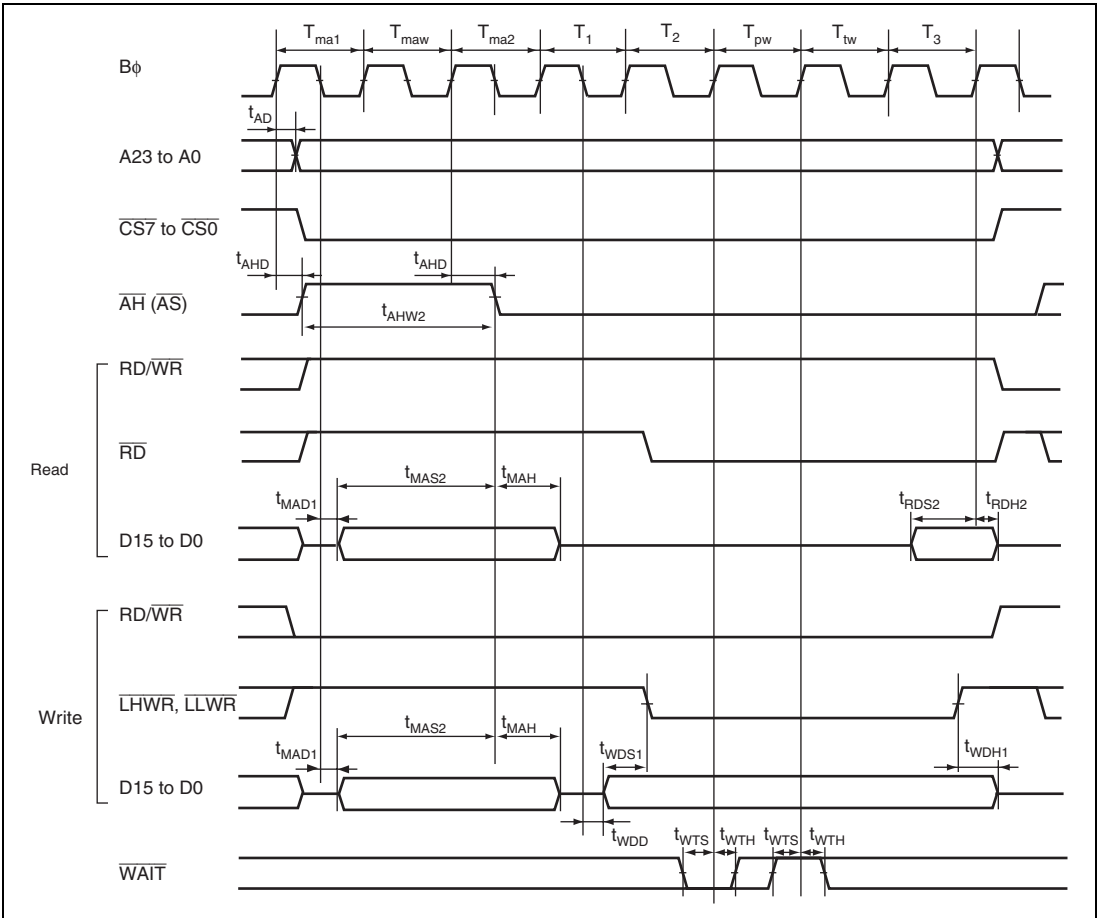


**Figure 21.16 Burst ROM Access Timing: 2-State Burst Access**





**Figure 21.17 Address/Data Multiplexed Access Timing (No Wait) (Basic, 4-State Access)**



**Figure 21.18 Address/Data Multiplexed Access Timing (Wait Control)**  
**(Address Cycle Program Wait × 1 + Data Cycle Program Wait × 1 +**  
**Data Cycle Pin Wait × 1)**

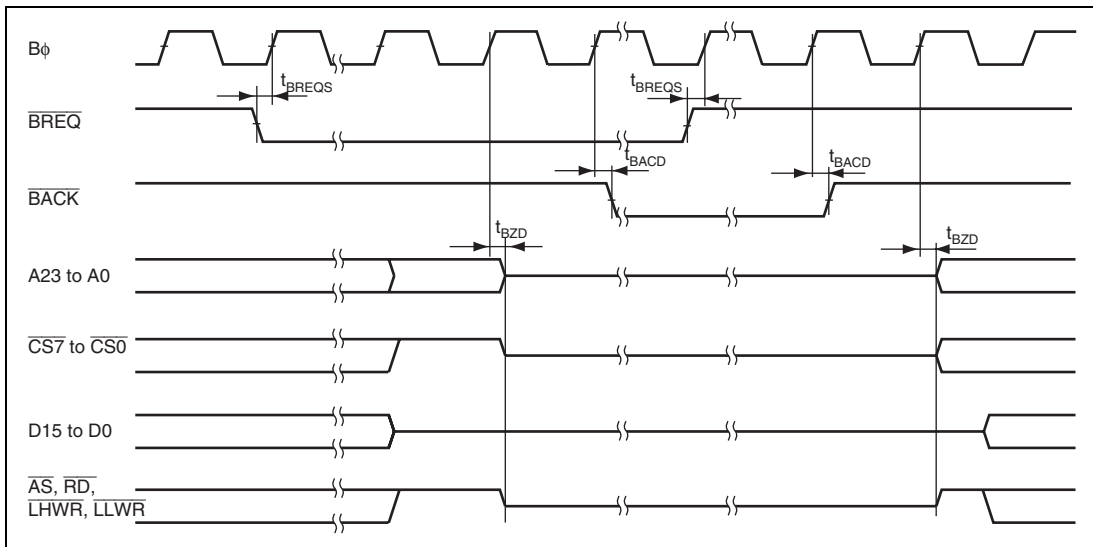


Figure 21.19 External Bus Release Timing

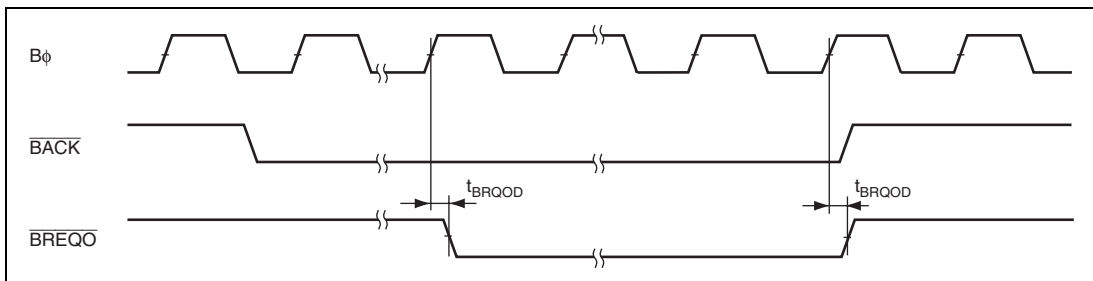


Figure 21.20 External Bus Request Output Timing

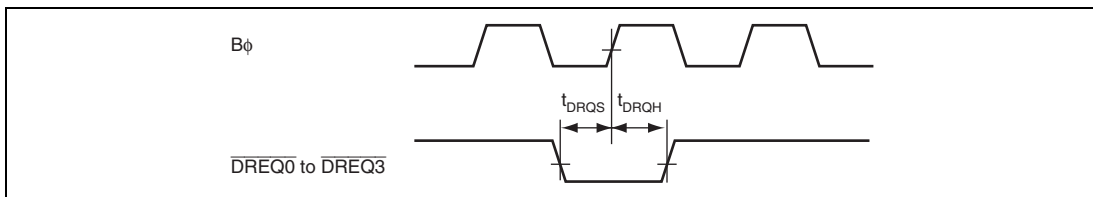
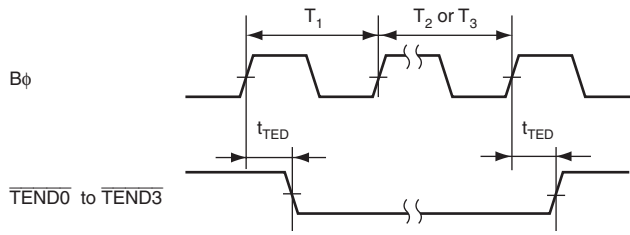
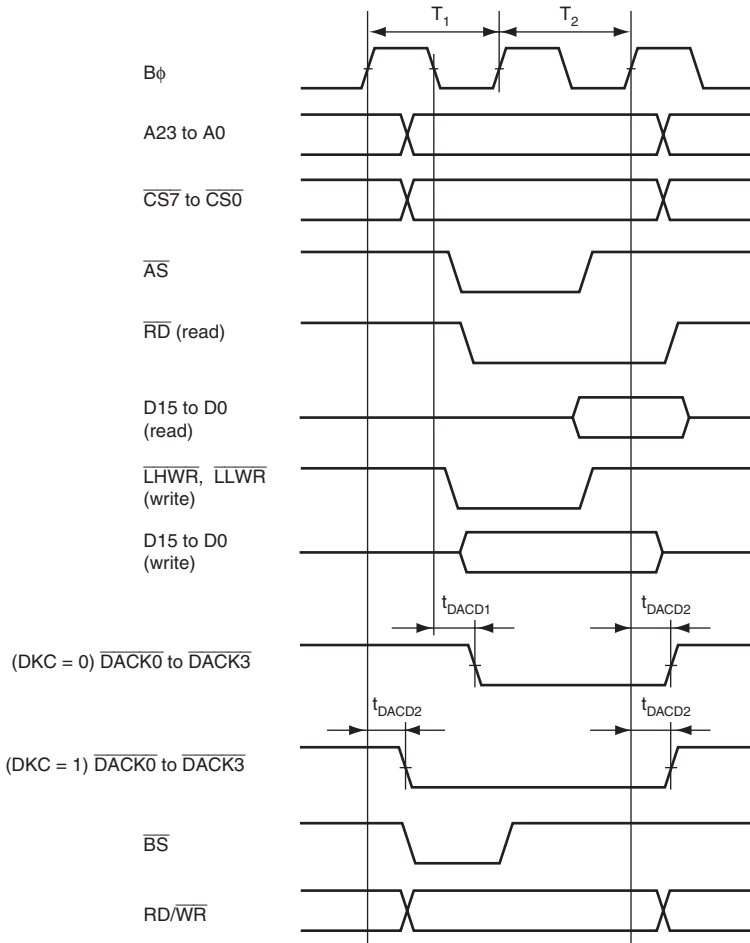


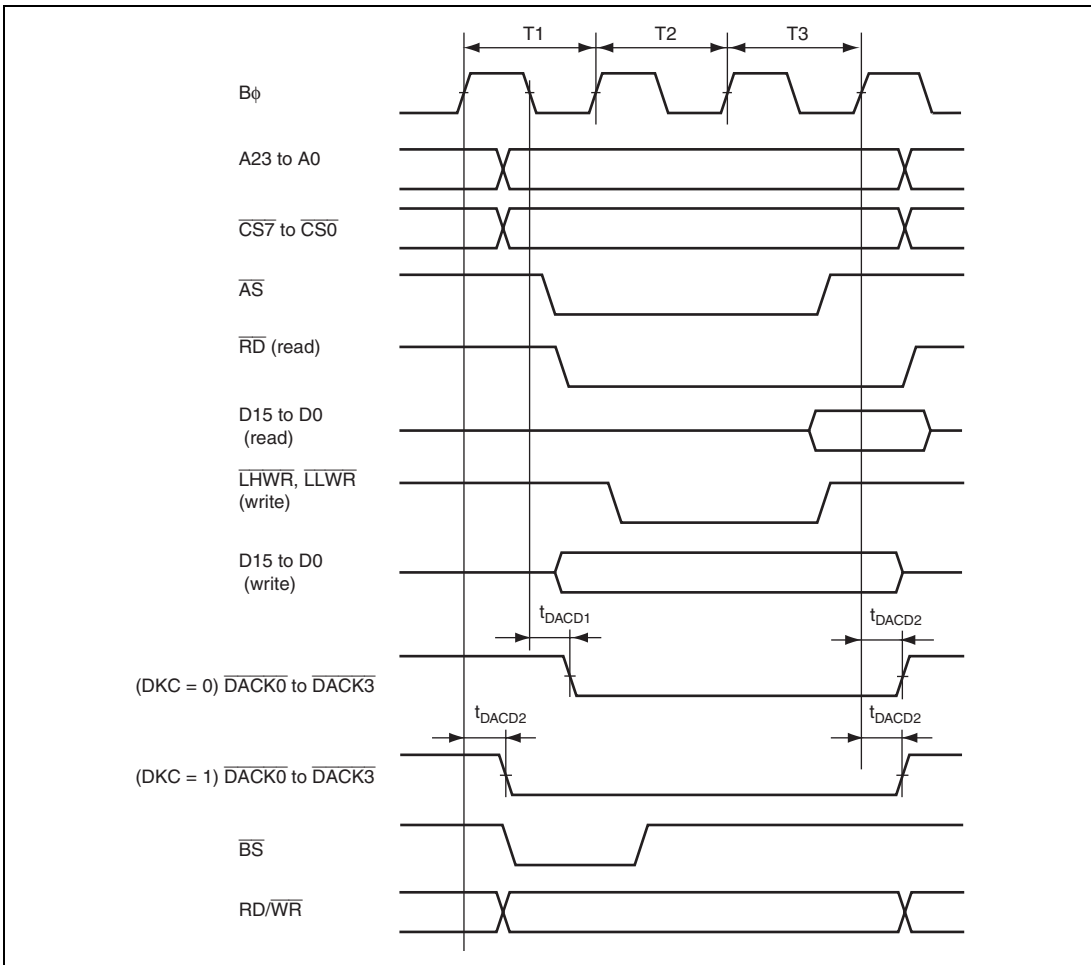
Figure 21.21 DMAC,  $\overline{DREQ}$  Input Timing



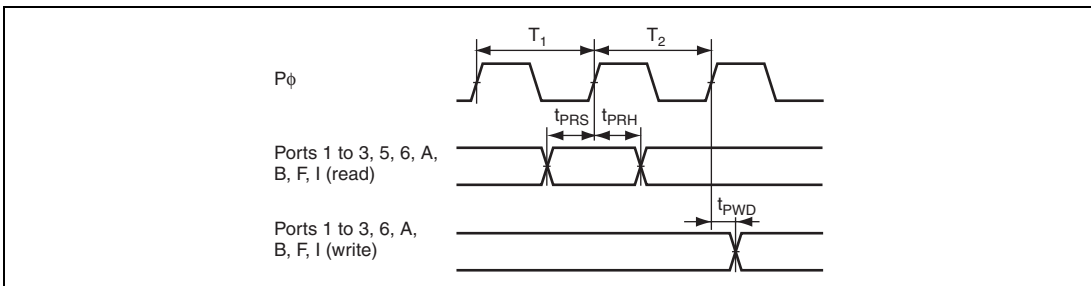
**Figure 21.22 DMAC,  $\overline{TEND}$  Output Timing**



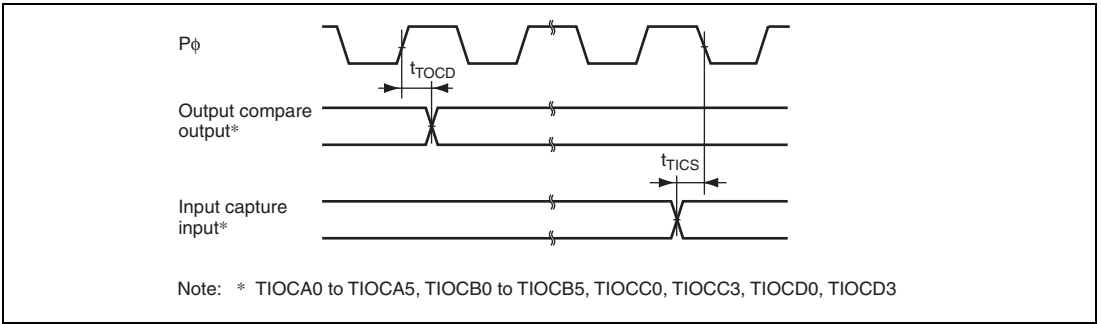
**Figure 21.23 DMAC Single Address Transfer Timing: 2-State Access**



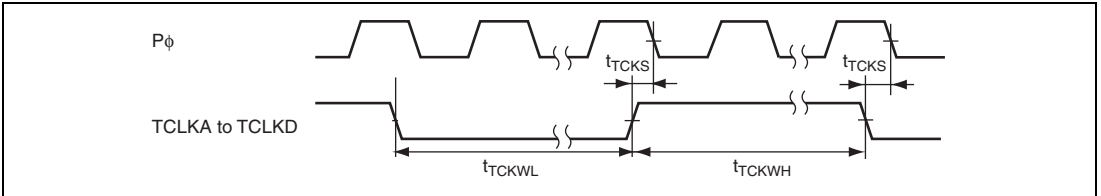
**Figure 21.24 DMAC Single Address Transfer Timing: 3-State Access**



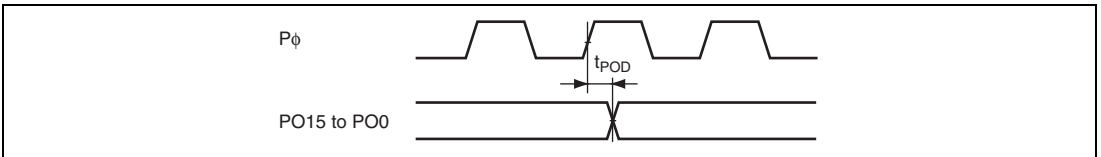
**Figure 21.25 I/O Port Input/Output Timing**



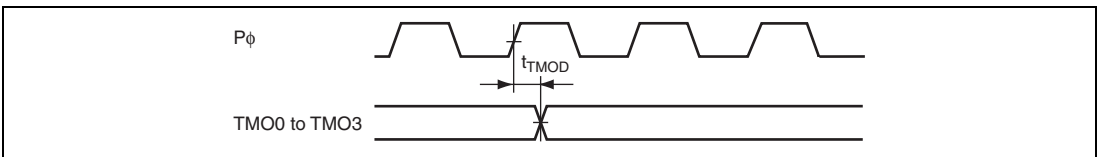
**Figure 21.26 TPU Input/Output Timing**



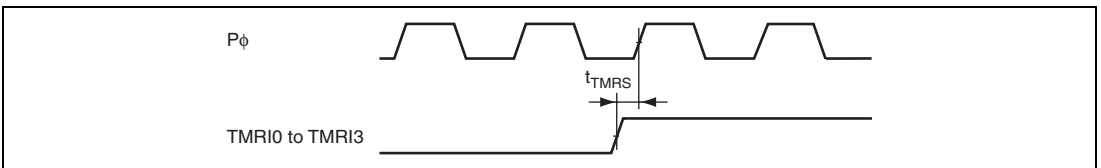
**Figure 21.27 TPU Clock Input Timing**



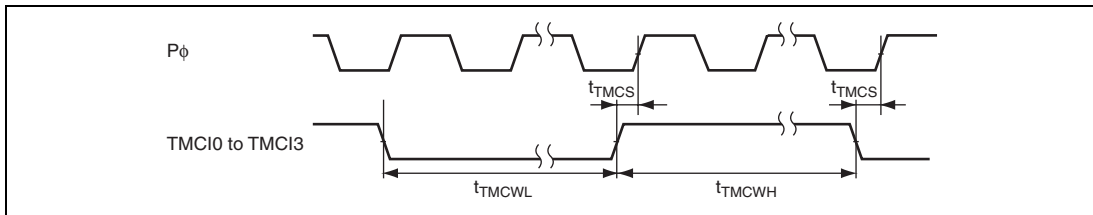
**Figure 21.28 PPG Output Timing**



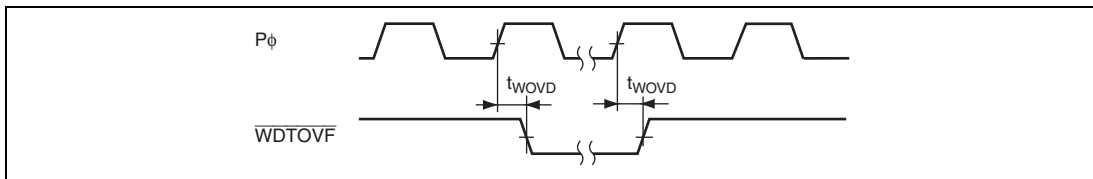
**Figure 21.29 8-Bit Timer Output Timing**



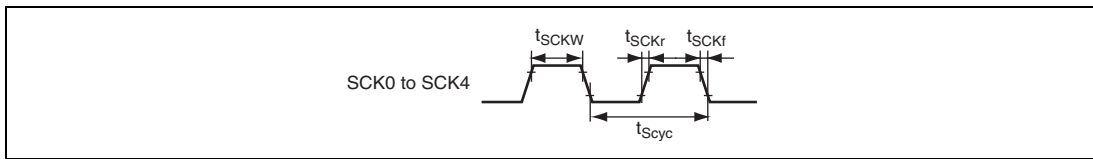
**Figure 21.30 8-Bit Timer Reset Input Timing**



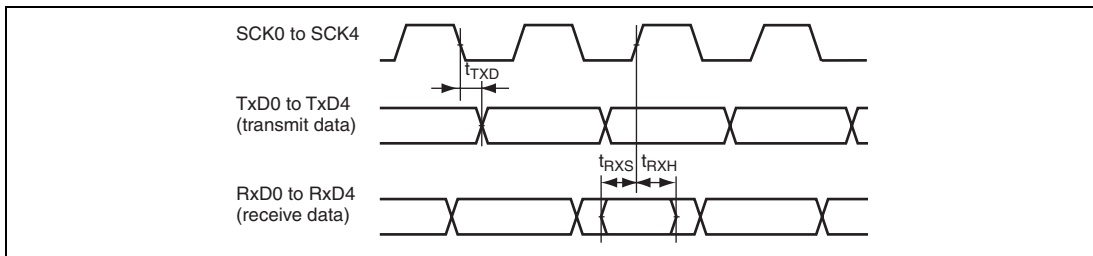
**Figure 21.31 8-Bit Timer Clock Input Timing**



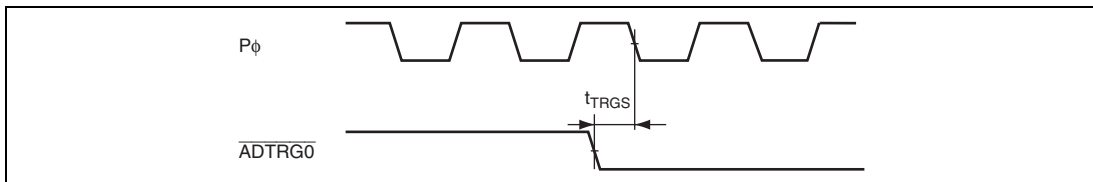
**Figure 21.32 WDT Output Timing**



**Figure 21.33 SCK Clock Input Timing**



**Figure 21.34 SCI Input/Output Timing: Clocked Synchronous Mode**



**Figure 21.35 A/D Converter External Trigger Input Timing**





# Appendix

## A. Port States in Each Pin State

**Table A.1 Port States in Each Pin State**

Port Name	MCU Operating Mode	Reset	Hardware Standby Mode	Software Standby Mode		Bus Released State
				OPE = 1	OPE = 0	
Port 1	All	Hi-Z	Hi-Z	Keep	Keep	Keep
Port 2	All	Hi-Z	Hi-Z	Keep	Keep	Keep
Port 3	All	Hi-Z	Hi-Z	Keep	Keep	Keep
P50 to P55	All	Hi-Z	Hi-Z	Hi-Z	Hi-Z	Keep
P56/ AN6/ DA0/ IRQ6-B	All	Hi-Z	Hi-Z	[DAOE0 = 1]	[DAOE0 = 1]	Keep
				Keep	Keep	
				[DAOE0 = 0]	[DAOE0 = 0]	
P57/ AN7/ DA1/ IRQ7-B	All	Hi-Z	Hi-Z	[DAOE1 = 1]	[DAOE1 = 1]	Keep
				Keep	Keep	
				[DAOE1 = 0]	[DAOE1 = 0]	
P60 to P65	All	Hi-Z	Hi-Z	Keep	Keep	Keep
PA0/ BREQO/ BS-A	All	Hi-Z	Hi-Z	[BREQO output]	[BREQO output]	[BREQO output]
				Hi-Z	Hi-Z	BREQO
				[BS output]	[BS output]	[BS output]
				Keep	Hi-Z	Hi-Z
				[Other than above]	[Other than above]	[Other than above]
PA1/ BACK/ (RD/WR)	All	Hi-Z	Hi-Z	[BACK output]	[BACK output]	[BACK output]
				Hi-Z	Hi-Z	BACK
				[RD/WR output]	[RD/WR output]	[RD/WR output]
				Keep	Hi-Z	Hi-Z
				[Other than above]	[Other than above]	[Other than above]
PA2/ BREQ/ WAIT	All	Hi-Z	Hi-Z	[BREQ input]	[BREQ input]	[BREQ input]
				Hi-Z	Hi-Z	Hi-Z (BREQ)
				[WAIT input]	[WAIT input]	[WAIT input]
				Hi-Z	Hi-Z	Hi-Z (WAIT)
				[Other than above]	[Other than above]	[Other than above]
				Keep	Keep	Keep

Port Name	MCU Operating Mode	Reset	Hardware Standby Mode	Software Standby Mode		Bus Released State
				OPE = 1	OPE = 0	
PA3/ LLWR/ LLB	External extended mode	H	Hi-Z	H	Hi-Z	Hi-Z
PA4/ LHWR/ LUB	External extended mode	H	Hi-Z	[LHWR, LUB output] H [Other than above] Keep	[LHWR, LUB output] Hi-Z [Other than above] Keep	[LHWR, LUB output] Hi-Z [Other than above] Keep
PA5/RD	External extended mode	H	Hi-Z	H	Hi-Z	Hi-Z
PA6/ AS/ AH/ BS-B	External extended mode	H	Hi-Z	[AS, BS output] H [AH output] L [Other than above] Keep	[AS, AH, BS output] Hi-Z [Other than above] Keep	[AS, AH, BS output] Hi-Z [Other than above] Keep
PA7/B $\phi$	External extended mode	Clock output	Hi-Z	[Clock output] H [Other than above] Keep	[Clock output] H [Other than above] Keep	[Clock output] Clock output [Other than above] Keep
PB0/ CS0/ CS4-A/ CS5-B	External extended mode	H	Hi-Z	[CS output] H [Other than above] Keep	[CS output] Hi-Z [Other than above] Keep	[CS output] Hi-Z [Other than above] Keep
PB1/ CS1/ CS2-B/ CS5-A/ CS6-B/ CS7-B	All	Hi-Z	Hi-Z	[CS output] H [Other than above] Keep	[CS output] Hi-Z [Other than above] Keep	[CS output] Hi-Z [Other than above] Keep
PB2/ CS2-A/ CS6-A	All	Hi-Z	Hi-Z	[CS output] H [Other than above] Keep	[CS output] Hi-Z [Other than above] Keep	[CS output] Hi-Z [Other than above] Keep
PB3/ CS3/ CS7-A	All	Hi-Z	Hi-Z	[CS output] H [Other than above] Keep	[CS output] Hi-Z [Other than above] Keep	[CS output] Hi-Z [Other than above] Keep

Port Name	MCU Operating Mode		Reset	Hardware Standby Mode	Software Standby Mode		Bus Released State
					OPE = 1	OPE = 0	
Port D	External extended mode		L	Hi-Z	Keep	Hi-Z	Hi-Z
Port E	External extended mode		L	Hi-Z	Keep	Hi-Z	Hi-Z
PF0 to PF4	External extended mode		L	Hi-Z	Keep	[Address output] Hi-Z [Other than above] Keep	[Address output] Hi-Z [Other than above] Keep
PF5/ $\overline{CS5}$ -D/ PF6/ $\overline{CS6}$ -D/ PF7/ $\overline{CS4}$ -C/ $\overline{CS5}$ -C/ $\overline{CS6}$ -C/ $\overline{CS7}$ -C	External extended mode		Hi-Z	Hi-Z	[Address output] Keep $\overline{CS}$ output] H* [Other than above] Keep	[Address output] Hi-Z $\overline{CS}$ output] Hi-Z* [Other than above] Keep	[Address output] Hi-Z $\overline{CS}$ output] Hi-Z* [Other than above] Keep
Port H	External extended mode		Hi-Z	Hi-Z	Hi-Z	Hi-Z	Hi-Z
Port I	External extended mode	8-bit bus mode	Hi-Z	Hi-Z	Keep	Keep	Keep
		16-bit bus mode	Hi-Z	Hi-Z	Hi-Z	Hi-Z	Hi-Z

## [Legend]

H: High-level output

L: Low-level output

Keep: Input pins become high-impedance, output pins retain their state.

Hi-Z: High impedance

Note: \* This is the state when PCR is cleared to 0. Since setting PCR to 1 turns on the input pull-up MOS, do not set PCR to 1 if the pin is used as  $\overline{CS}$  output.

**B. Product Lineup**

<b>Product Classification</b>		<b>Product Model</b>	<b>Marking</b>	<b>Package (Package Code)</b>
H8SX/1651C	ROMless	R5S61651CFPV	R5S61651FPV	FP-120BV*

Note: \* Pb-free version

### C. Package Dimensions

For the package dimensions, data in the Renesas IC Package General Catalog has priority.

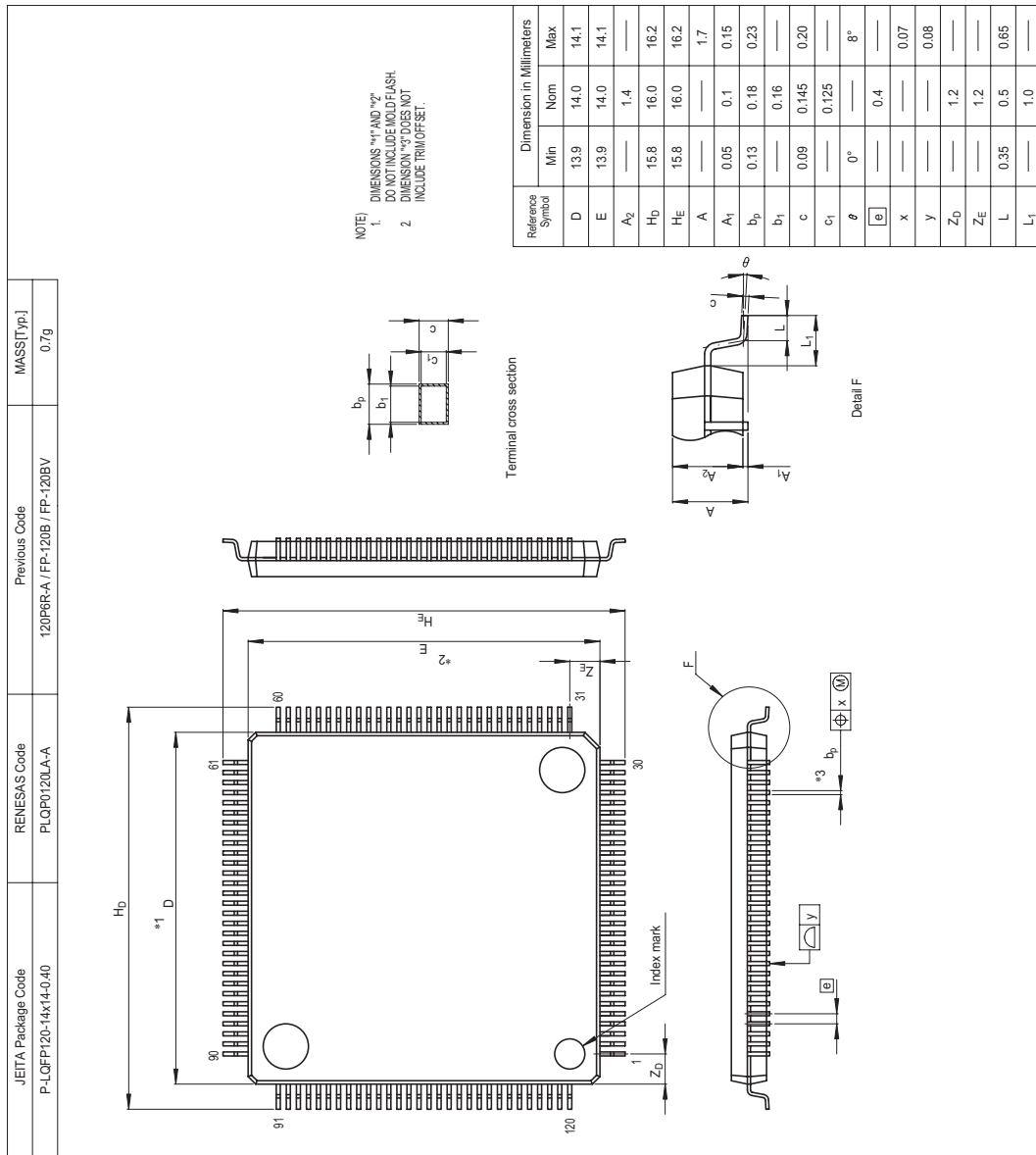


Figure C.1 Package Dimensions (FP-120BV)

## D. Treatment of Unused Pins

The treatments of unused pins are listed in table D.1.

**Table D.1 Treatment of Unused Pins**

Pin Name	Mode 4	Mode 5
RES	(Always used as a reset pin.)	
STBY	<ul style="list-style-type: none"> <li>Connect to <math>V_{cc}</math> via a pull-up resistor.</li> </ul>	
EMLE	<ul style="list-style-type: none"> <li>Connect to <math>V_{ss}</math> via a pull-down resistor.</li> </ul>	
MD2, MD1, MD0	(Always used as operating mode pins.)	
NMI	<ul style="list-style-type: none"> <li>Connect to <math>V_{cc}</math> via a pull-up resistor.</li> </ul>	
EXTAL	(Always used as a clock pin.)	
XTAL	<ul style="list-style-type: none"> <li>Leave this pin unconnected.</li> </ul>	
WDTOVF	<ul style="list-style-type: none"> <li>Leave this pin unconnected.</li> </ul>	
Port 1	<ul style="list-style-type: none"> <li>Connect each pin to <math>V_{cc}</math> via a pull-up resistor or to <math>V_{ss}</math> via a pull-down resistor.</li> </ul>	
Port 2		
Port 3		
Port 6		
PA2 to PA0		
PB3 to PB0		
PF7 to PF5		
Port 5	<ul style="list-style-type: none"> <li>Connect each pin to <math>AV_{cc}</math> via a pull-up resistor or to <math>AV_{ss}</math> via a pull-down resistor.</li> </ul>	
PA7	<ul style="list-style-type: none"> <li>Since this is the <math>B\phi</math> output in its initial state, leave this pin unconnected.</li> </ul>	
PA6	<ul style="list-style-type: none"> <li>Since this is the AS output in its initial state, leave this pin unconnected.</li> </ul>	
PA5	<ul style="list-style-type: none"> <li>Since this is the RD output in its initial state, leave this pin unconnected.</li> </ul>	
PA4	<ul style="list-style-type: none"> <li>Since this is the LHWR output in its initial state, leave this pin unconnected.</li> </ul>	
PA3	<ul style="list-style-type: none"> <li>Since this is the LLWR output in its initial state, leave this pin unconnected.</li> </ul>	
PB0	<ul style="list-style-type: none"> <li>Since this is the CS0 output in its initial state, leave this pin unconnected.</li> </ul>	

Pin Name	Mode 4	Mode 5
Port D	<ul style="list-style-type: none"> <li>Since this is the address output in its initial state, leave this pin unconnected.</li> </ul>	
Port E		
PF4 to PF0		
Port H	(Used as a data bus.)	
Port I	(Used as a data bus.)	Since this is a general-purpose input port in its initial state, connect each pin to $V_{CC}$ via a pull-up resistor or connect each pin to $V_{SS}$ via a pull-down resistor.
Vref	<ul style="list-style-type: none"> <li>Connect to <math>AV_{CC}</math>.</li> </ul>	

- Notes:
- Do not change the function of an unused pin from its initial state.
  - Do not change the initial value (input buffer disabled) of PnICR corresponding to an unused pin.





# Main Revisions and Additions in this Edition

Item	Page	Revision (See Manual for Details)
All	—	Modified Type classification changed (from H8SX/1651 to H8SX/1651C). Type name changed (from R5S61651FPV to R5S61651CFPV).
Figure 1.3 Pin Assignments	9	Modified

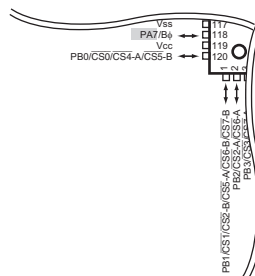


Table 1.3 Pin Functions	14	Modified				
		<table border="1"> <thead> <tr> <th>Classification</th> <th>Pin Name</th> </tr> </thead> <tbody> <tr> <td>I/O ports</td> <td>PA7, PA6, PA4 PA2 to PA0</td> </tr> </tbody> </table>	Classification	Pin Name	I/O ports	PA7, PA6, PA4 PA2 to PA0
Classification	Pin Name					
I/O ports	PA7, PA6, PA4 PA2 to PA0					

Table 3.3 Pin Functions in Each Operating Mode (Advanced Mode)	69	Modified																					
		<table border="1"> <thead> <tr> <th>Port</th> <th></th> <th>Mode 4</th> <th>Mode 5</th> </tr> </thead> <tbody> <tr> <td rowspan="3">Port A</td> <td>PA7</td> <td>P/C*</td> <td>P/C*</td> </tr> <tr> <td>PA6, PA4</td> <td>P/C*</td> <td>P/C*</td> </tr> <tr> <td>PA2 to PA0</td> <td>P*/C</td> <td>P*/C</td> </tr> <tr> <td rowspan="2">Port B</td> <td>PB3 to 1</td> <td>P*/C</td> <td>P*/C</td> </tr> <tr> <td>PB0</td> <td>P/C*</td> <td>P/C*</td> </tr> </tbody> </table>	Port		Mode 4	Mode 5	Port A	PA7	P/C*	P/C*	PA6, PA4	P/C*	P/C*	PA2 to PA0	P*/C	P*/C	Port B	PB3 to 1	P*/C	P*/C	PB0	P/C*	P/C*
Port		Mode 4	Mode 5																				
Port A	PA7	P/C*	P/C*																				
	PA6, PA4	P/C*	P/C*																				
	PA2 to PA0	P*/C	P*/C																				
Port B	PB3 to 1	P*/C	P*/C																				
	PB0	P/C*	P/C*																				

10.4.5 PWM Modes	454	Modified
(b) PWM mode 2		PWM output is generated using one TGR as the cycle register and the others as duty cycle registers. The output specified in TIOR is performed by means of compare matches. Upon counter clearing by a cycle register compare match, the output value of each pin...

---

Item	Page	Revision (See Manual for Details)
18.5.1 Notes on Clock Pulse Generator	657	Deleted <del>4. Note that the frequency of <math>\phi</math> will be changed in the middle of a bus cycle when setting SCKCR0 or SCKCR1 while executing the external bus cycle with the write data buffer function.</del>
21.1 Electrical Characteristics (at 35-MHz operation)	725	Modified
21.2 Electrical Characteristics (at 50-MHz operation)	737	Modified

---

# Index

## Numerics

0-output/1-output .....	443
16-Bit access space .....	168
16-bit counter mode .....	529
16-bit timer pulse unit (TPU) .....	399
8-Bit access space .....	167
8-bit timers (TMR) .....	509

## A

A/D conversion accuracy .....	637
A/D converter .....	625
Absolute accuracy .....	637
Absolute address .....	54
Address error .....	78
Address map .....	70
Address modes .....	257
Address register .....	25
Address/data multiplexed I/O interface .....	161, 198
Addressing modes .....	51
Advanced mode .....	20
All-module-clock-stop mode .....	662, 678
Area 0 .....	162
Area 1 .....	162
Area 2 .....	163
Area 3 .....	163
Area 4 .....	164
Area 5 .....	165
Area 6 .....	165
Area 7 .....	166
Area division .....	156
Arithmetic operation instructions .....	42
Asynchronous mode .....	581
AT-cut parallel-resonance type .....	655
Available output signal and settings in each port .....	380

Average transfer rate generator .....	550
---------------------------------------	-----

## B

B $\phi$ clock output control .....	682
Basic bus interface .....	160, 170
Basic instruction formats .....	50
Big endian .....	159
Bit manipulation instructions .....	45
Bit rate .....	572
Block transfer instructions .....	41
Block transfer mode .....	262, 330
Branch instructions .....	48
Buffer operation .....	448
Burst access mode .....	268
Burst ROM interface .....	160, 193
Bus access modes .....	267
Bus arbitration .....	223
Bus configuration .....	148
Bus controller (BSC) .....	123
Bus cycle division .....	324
Bus width .....	159
Bus-released state .....	60
Byte control SRAM interface .....	160, 185

## C

Carry (C) .....	26
Cascaded operation .....	452
Chain transfer .....	331
Chip select signals .....	157
Clock pulse generator .....	651
Clock synchronization cycle (T <sub>sy</sub> ) .....	150
Clocked synchronous mode .....	598
Compare match A .....	527
Compare match B .....	527
Compare match count mode .....	529

Compare match signal .....	526
Condition field.....	50
Counter operation .....	440
CPU .....	15
CPU operating modes.....	17
CPU priority control function over DTC.....	117
Crystal resonator.....	655
Cycle stealing mode.....	267

## D

D/A converter .....	643
Data direction register .....	351
Data register.....	25, 351
Data transfer controller (DTC) .....	307
Data transfer instructions.....	40
Direct convention .....	607
DMA controller (DMAC).....	229
Double-buffered structure.....	581
DTC vector address .....	320
DTC vector address offset .....	320
Dual address mode.....	257

## E

Effective address extension .....	50
Endian and data alignment .....	167
Endian format .....	159
Error signal .....	607
Exception handling.....	71
Exception handling vector table .....	72
Exception-handling state .....	60
Extended memory indirect.....	57
Extended repeat area.....	255
Extended repeat area function .....	268
Extension of chip select ( $\overline{CS}$ ) assertion period.....	182
External access bus.....	148
External bus .....	153

External bus clock ( $B\phi$ ) .....	149, 651
External bus interface .....	158
External clock .....	656
External interrupts.....	101

## F

Free-running count operation.....	441
Frequency divider .....	651, 656
Full address mode .....	318
Full-scale error.....	637

## G

General register data formats .....	30
General registers .....	25

## H

Half-carry (H) .....	26
Hardware standby mode .....	662, 676

## I

I/O ports .....	343
ID code.....	592
Idle cycle.....	207
Illegal instruction .....	81, 82
Immediate .....	55
Index register .....	25
Index register indirect with displacement .....	52
Initial register values.....	29
Input buffer control register .....	352
Input capture function.....	444
Instruction fetch .....	23
Instruction set.....	32
Instructions and addressing modes .....	34
Internal interrupts.....	102

Internal peripheral bus .....	148
Internal system bus .....	148
Interrupt .....	80
Interrupt control mode 0 .....	108
Interrupt control mode 2 .....	110
Interrupt controller.....	85
Interrupt exception handling sequence ...	112
Interrupt exception handling vector table .....	103
Interrupt mask bit (I).....	26
Interrupt response times.....	113
Interrupt sources .....	101
Interrupt sources and vector address offsets.....	103
Interval timer .....	543
Interval timer mode.....	543
Inverse convention.....	608
IRQn interrupts .....	101

## L

Little endian.....	159
Logic operation instructions .....	44

## M

Mark state .....	581, 619
Maximum mode.....	21
MCU operating modes.....	63
Memory data formats.....	31
Memory indirect .....	56
Memory map.....	23
Middle mode.....	19
Mode 4.....	68
Mode 5.....	68
Mode pin.....	63
Module stop mode .....	678
Multi-clock mode .....	670
Multiprocessor bit.....	592

Multiprocessor communication function .....	592
--	-----

## N

Negative (N) .....	26
NMI interrupt.....	101
Nonlinearity error.....	637
Non-overlapping pulse output.....	501
Normal mode .....	17
Normal transfer mode .....	327
Normal transfer mode .....	260
Number of access cycles .....	160

## O

Offset addition .....	270
Offset error.....	637
On-chip baud rate generator.....	584
Open-drain control register .....	354
Operation field .....	50
Operation with cascaded connection.....	529
Oscillator.....	655
Output buffer control .....	355
Output trigger.....	501
Overflow .....	528, 542
Overflow (V).....	26

## P

Parity bit.....	581
Periodic count operation .....	441
Peripheral module clock (P $\phi$ ).....	149, 651
Phase counting mode .....	460
Pin assignments.....	9
Pin functions .....	10
PLL circuit .....	651, 656
Port function controller .....	386
Port register.....	352
Power-down modes.....	661

Processing states.....	60
Program execution state.....	60
Program stop state .....	60
Program-counter relative .....	56
Program-counter relative with index register .....	56
Programmable pulse generator (PPG) ....	485
Pull-up MOS control register.....	353
PWM modes .....	454

## Q

Quantization error.....	637
-------------------------	-----

## R

RAM.....	649
Read strobe ( $\overline{RD}$ ) timing.....	180
Register addresses.....	686
Register bits.....	697
Register configuration in each port.....	350
Register direct.....	52
Register field .....	50
Register indirect.....	52
Register indirect with displacement.....	52
Register indirect with post-decrement .....	53
Register indirect with post-increment.....	53
Register indirect with pre-decrement.....	53
Register indirect with pre-increment .....	53
Register states in each operating mode...	714
Registers	
ABWCR .....	127, 689, 704, 717
ADCR.....	631, 694, 710, 722
ADCSR.....	629, 694, 710, 722
ADDR.....	628, 694, 710, 722
ASTCR.....	128, 689, 704, 717
BCR.....	140, 689, 704, 717
BROMCR.....	145, 689, 704, 717
BRR.....	572, 693, 709, 721
CCR.....	26

CPUPCR.....	89, 692, 707, 720
CRA.....	314
CRB.....	314
CSACR.....	135, 689, 704, 717
DACR.....	249, 687, 699, 715
DACR01.....	645, 693, 709, 721
DADR.....	644, 693, 709, 721
DAR.....	313
DBSR.....	239, 687, 699, 715
DDAR.....	236, 687, 699, 715
DDR.....	351, 686, 697, 698, 714
DMDR.....	240, 687, 699, 715
DMRSR.....	256, 688, 703, 716
DOFR.....	237, 687, 699, 715
DR.....	351, 686, 698, 714
DSAR.....	235, 687, 699, 715
DTCCR.....	316, 692, 707, 719
DTCER.....	315, 691, 707, 719
DTCR.....	238, 687, 699, 715
DTCVBR.....	317, 689, 704, 717
ENDIANCR.....	143, 689, 704, 717
EXR.....	28
ICR.....	352, 686, 687, 697, 698, 714, 715
IDLCR.....	138, 689, 704, 717
IER.....	93, 692, 707, 720
INTCR.....	88, 692, 707, 719
IPR.....	91, 689, 703, 717
ISCR.....	95, 689, 703, 717
ISR.....	99, 692, 707, 720
MAC.....	29
MDCR.....	64, 690, 704, 718
MPXCR.....	147, 689, 704, 717
MRA.....	310
MRB.....	311
MSTPCR.....	666, 690, 705, 718
NDER.....	488, 693, 709, 721
NDR.....	491, 693, 709, 721
ODR.....	354, 687, 698, 715
PC.....	26

PCR.....	353, 494, 687, 693,	TIER.....	431, 695, 711, 723
.....	698, 709, 715, 721	TIOR.....	413, 695, 711, 723
PFCR.....	687, 698, 715	TMDR.....	412, 695, 711, 723
PFCR0.....	386	TSR.....	433, 695, 711, 723
PFCR1.....	387	TSTR.....	438, 695, 711, 722
PFCR2.....	388	TSYR.....	439, 695, 711, 722
PFCR4.....	390	VBR.....	28
PFCR6.....	391	WTCR.....	129, 689, 704, 717
PFCR7.....	392	Repeat transfer mode.....	261, 328
PFCR9.....	393	Reset.....	74
PFCRB.....	395	Reset state.....	60
PFCRC.....	396	Resolution.....	637
PMR.....	495, 693, 709, 721		
PODR.....	490, 693, 709, 721	<b>S</b>	
PORT.....	352	Sample-and-hold circuit.....	635
RDNCR.....	134, 689, 704, 717	Scan mode.....	633
RDR.....	554, 693, 709, 721	Serial communication interface (SCI).....	549
RSR.....	554	Shift operation instructions.....	45
RSTCSR.....	540, 694, 710, 722	Short address mode.....	318
SAR.....	313	Single address mode.....	258
SBR.....	28	Single mode.....	632
SBYCR.....	664, 690, 705, 718	Sleep mode.....	662, 671
SCKCR.....	652, 690, 705, 718	Smart card interface.....	606
SCMR.....	571, 693, 709, 721	Software standby mode.....	662, 672
SCR.....	558, 693, 709, 721	Space state.....	581
SEMR.....	579	Stack pointer (SP).....	25
SMR.....	555, 693, 709, 721	Stack status after exception handling.....	83
SRAMCR.....	144, 689, 704, 717	Start bit.....	581
SSIER.....	100, 687, 698, 715	State transitions.....	62
SSR.....	563, 693, 709, 721	Stop bit.....	581
SYSCR.....	66, 690, 705, 718	Strobe assert/negate timing.....	161
TCCR.....	517, 695, 711, 722	Synchronous clearing.....	446
TCNT.....	437, 514, 538, 694,	Synchronous operation.....	446
.....	695, 710, 711, 722, 723	Synchronous presetting.....	446
TCOR.....	514, 694, 711, 722	System clock (I $\phi$ ).....	149, 651
TCR.....	407, 515, 694, 695,	System control instructions.....	49
.....	710, 711, 722, 723		
TCSR.....	519, 539, 694, 710, 722		
TDR.....	554, 693, 709, 721		
TGR.....	437, 695, 711, 723		

<b>T</b>	
Toggle output.....	443
Trace exception handling.....	77
Transfer information.....	318
Transfer information read skip function .....	326
Transfer information writeback skip function .....	327
Transfer modes .....	260
Transmit/receive data .....	581
Trap instruction exception handling .....	81
<b>U</b>	
User bit (UI, U).....	26
<b>V</b>	
Vector table address.....	72
Vector table address offset.....	72
<b>W</b>	
Wait control .....	178
Watchdog timer (WDT).....	537
Watchdog timer mode.....	542
Waveform output by compare match.....	442
Write data buffer function.....	221
Write data buffer function for external data bus.....	221
Write data buffer function for peripheral modules .....	222
<b>Z</b>	
Zero (Z).....	26



---

**Renesas 32-Bit CISC Microcomputer  
Hardware Manual  
H8SX/1651 Group**

Publication Date: Rev.1.00, Jan. 16, 2006

Rev.2.00, Jun. 28, 2007

Published by: Sales Strategic Planning Div.  
Renesas Technology Corp.

Edited by: Customer Support Department  
Global Strategic Communication Div.  
Renesas Solutions Corp.

Renesas Technology Corp. Sales Strategic Planning Div. Nippon Bldg., 2-6-2, Ohte-machi, Chiyoda-ku, Tokyo 100-0004, Japan

---



## RENESAS SALES OFFICES

<http://www.renesas.com>

Refer to "<http://www.renesas.com/en/network>" for the latest and detailed information.

**Renesas Technology America, Inc.**  
450 Holger Way, San Jose, CA 95134-1368, U.S.A  
Tel: <1> (408) 382-7500, Fax: <1> (408) 382-7501

**Renesas Technology Europe Limited**  
Dukes Meadow, Millboard Road, Bourne End, Buckinghamshire, SL8 5FH, U.K.  
Tel: <44> (1628) 585-100, Fax: <44> (1628) 585-900

**Renesas Technology (Shanghai) Co., Ltd.**  
Unit 204, 205, AZIA Center, No.1233 Lujiazui Ring Rd, Pudong District, Shanghai, China 200120  
Tel: <86> (21) 5877-1818, Fax: <86> (21) 6887-7898

**Renesas Technology Hong Kong Ltd.**  
7th Floor, North Tower, World Finance Centre, Harbour City, 1 Canton Road, Tsimshatsui, Kowloon, Hong Kong  
Tel: <852> 2265-6688, Fax: <852> 2730-6071

**Renesas Technology Taiwan Co., Ltd.**  
10th Floor, No.99, Fushing North Road, Taipei, Taiwan  
Tel: <886> (2) 2715-2888, Fax: <886> (2) 2713-2999

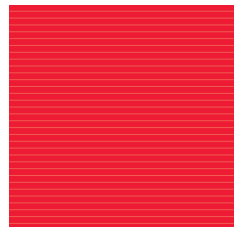
**Renesas Technology Singapore Pte. Ltd.**  
1 Harbour Front Avenue, #06-10, Keppel Bay Tower, Singapore 098632  
Tel: <65> 6213-0200, Fax: <65> 6278-8001

**Renesas Technology Korea Co., Ltd.**  
Kukje Center Bldg. 18th Fl., 191, 2-ka, Hangang-ro, Yongsan-ku, Seoul 140-702, Korea  
Tel: <82> (2) 796-3115, Fax: <82> (2) 796-2145

**Renesas Technology Malaysia Sdn. Bhd**  
Unit 906, Block B, Menara Amcorp, Amcorp Trade Centre, No.18, Jalan Persiaran Barat, 46050 Petaling Jaya, Selangor Darul Ehsan, Malaysia  
Tel: <603> 7955-9390, Fax: <603> 7955-9510



# H8SX/1651 Group Hardware Manual



Renesas Technology Corp.

2-6-2, Ote-machi, Chiyoda-ku, Tokyo, 100-0004, Japan