

Power Relay 410 83 3 mm

- 1 pole 16 A, 1 NO bridging contact
- Contact gap > 3 mm
- Switching capacity 4000 VA
- Coil power 360 mW
- 4 kV / 8 mm coil-contact, insulation to VDE 0631 and 0700
- Ambient temperature up to 85°C
- Quick connect terminals for load side
- Materials in accordance to IEC 60335-1
- RoHS compliant (Directive 2002/95/EC) as per product date code 0349

Applications: Washing machines, tumble dryers, absolute safe power supply disconnection in other domestic applications



F0246-AB

Approvals

VDE REG.-Nr. 6198, **C** **UL** us E214025
 Technical data of approved types on request

Contact data

Contact configuration	1NO
Contact set	single contact, bridging contact
Type of interruption	full disconnection
Rated current	16 A
Rated voltage / max.switching voltage AC	240/400 VAC
Maximum breaking capacity AC	4000 VA
Limiting making capacity, max 4 s, duty factor 10%	20 A
Contact material	AgNi
Contact gap	>3 mm
Mechanical endurance	1x10 ⁶ cycles
Rated frequency of operation with / without load	10 / 600 min ⁻¹

Contact ratings

Type	Load	Cycles
410 83	16 A, 250 VAC, resistive, 85°C	3x10 ⁴
410 83	10 A, 250 VAC, resistive, 85°C	1x10 ⁵
410 83	10 A, 400 VAC, resistive, 85°C	1x10 ⁵

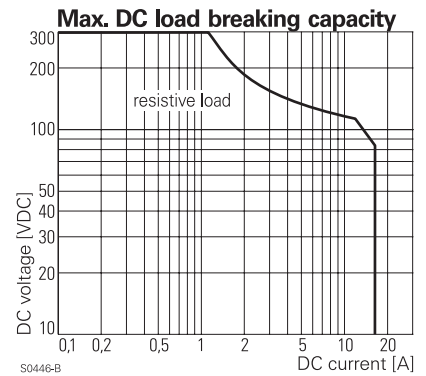
Coil data

Rated coil voltage range DC coil	6...60 VDC
Coil power DC coil	typ. 360 mW
Operative range	1
Coil insulation system according UL1446	Class F

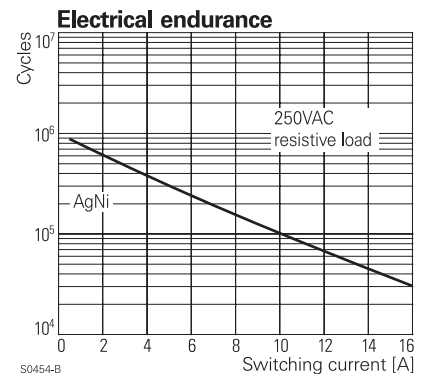
Coil versions, DC-coil

Coil code	Rated voltage VDC	Operate voltage VDC	Release voltage VDC	Coil resistance Ohm	Rated coil power mW
054	6	3.9	0.45	100±10%	360
050	12	7.9	0.9	400±10%	360
046	24	15.8	1.8	1600±10%	360
043	48	31.6	3.6	6400±10%	360
042	60	39.5	4.5	10000±10%	360

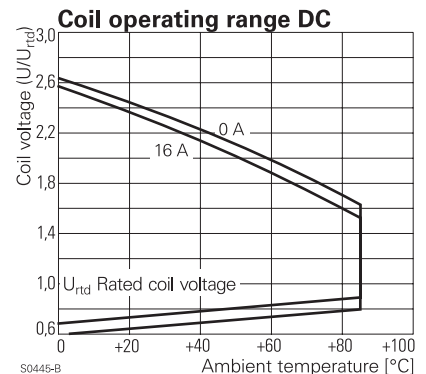
All figures are given for coil without preenergization, at ambient temperature +23°C
 Other coil voltages on request



S0446-B



S0454-B



S0445-B

Power Relay 410 83 3 mm (Continued)

Insulation

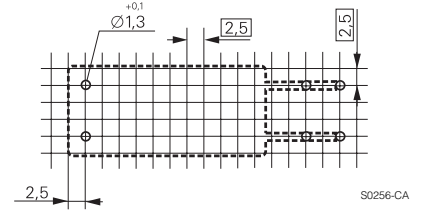
Dielectric strength coil-contact circuit	4000 V _{rms}
open contact circuit	2000 V _{rms}
Clearance / creepage coil-contact circuit	≥ 8 / 8 mm
Material group of insulation parts	≥ IIIa
Tracking index of relay base	PTI 250
Insulation to IEC 60664-1	
Type of insulation coil-contact circuit	reinforced
open contact circuit	functional
Rated insulation voltage	250 V
Pollution degree	3
Rated voltage system	230/400 V
Overvoltage category	III

Other data

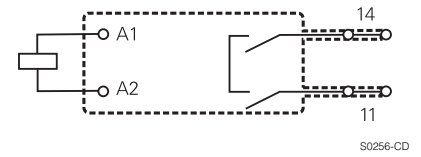
RoHS - Directive 2002/95/EC	compliant as per product date code 0349
Flammability class according to UL94	V-0
For WG version: GWF1 to IEC 60335-1	> 850 °C
GWT to IEC 60335-1	> 750 °C
Ambient temperature range	-20...+85°C
Operate- / release time	typ. 14 / 5 ms
Bounce time NO	typ. 3 ms
Vibration resistance (function) NO (10...500Hz)	10 ms
Shock resistance (destruction)	100 g
Category of protection	RTII - flux proof
Mounting	pcb
Resistance to soldering heat	270°C / 10 s
Relay weight	24 g
Packaging unit	20 / 75 / 1050 pcs

PCB layout / terminal assignment

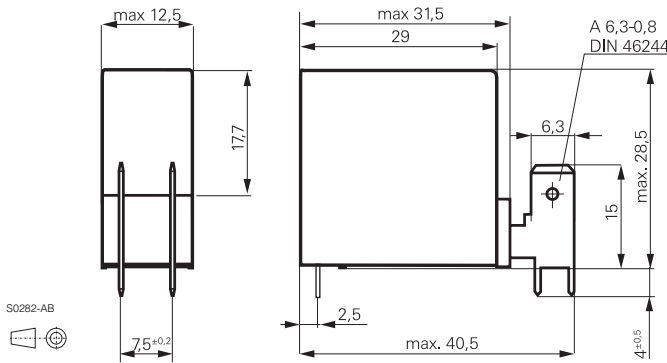
Bottom view on solder pins



1 NO bridging contact



Dimensions



Product key



Type

Coil

Coil code: please refer to coil versions table, preferred types in bold print

Version

001 1 NO contact

Version

WG Product in accordance with IEC 60335-1 (domestic appliances)

Other types on request

Product key	Version	Cont. material	Cont.configuration	Coil	Part number
0410 83 050 001 WG	standard	AgNi	1 NO contact	12 Vdc	8-1415536-7
0410 83 046 001 WG	PCB/quick connect			24 Vdc	8-1415536-6